



International Tractors Ltd.

Parts Catalogue

Solis-24, Solis-26



INDEX

Sr. No.	Group
1	MUFFLER ASSEMBLY
2	RADIATOR HOSE AND COOLANT TANK ASSY
3	AIR CLEANER ASSY.
4	CLUTCH ASSY WITH ENGINE
5	CLUTCH HOUSING AND UNIVERSAL JOINT AND SHAFTS
6	SHIFTER HSG ASSY.
7	TRANSMISSION HOUSING AND RELATED PARTS
8	BP SHAFT, BULL GEAR REAR AXLE ASSEMBLY
9	BRAKE ASSY.
10	HYDRAULIC ASSY.(MITA) AND ITS RELATED PARTS
11	OPERATING SECTOR ASSY.
12	FENDER ASSY, ROLL OVER PROTECTION, DRIVER SEAT ASSY
13	FLOOR ASSY. AND FLOOR MTG. ASSY.
15	BONNET ASSEMBLY AND RELATED PARTS
17	FUEL TANK ASSY, FUEL PIPES AND ITS RELATED PARTS
18	BRAKE PEDAL AND CLUTCH PEDAL ASSY.
19	FRONT AXLE BKT AND RELATED, FRONT WEIGHT
20	FRONT AXLE AND ITS RELATED PARTS
21	THREE POINT LINKAGES AND LIFT RODS
22	FOOT ACCELERATOR AND LINKAGES ASSY.
24	STICKERS.
25	FRONT TYRE AND REAR TYRE.
26	ELECTRICALS
27	ACCESSORIES

PARTS CATALOGUE INDEX

Sr.	Sub Chapter	Description	Model
1	01110A-1-1	MUFFLER ASSY.	SOLIS-26, SONALIKA-26,SOLIS-24
2	01111A-1-1	MUFFLER ASSY.	SOLIS-26 FACELIFT
3	01112A-1-1	MUFFLER ASSY	SOLIS-24 EPA
4	02110A-1-1	RADIATOR HOSE ASSY.	SOLIS-26, SONALIKA-26,SOLIS-24
5	02111A-1-1	RADIATOR HOSE ASSY.	SOLIS-26 FACELIFT
6	02112A-1-1	RADIATOR ASSY	SOLIS-24 EPA
7	02120A-1-1	COOLANT TANK ASSY.	SOLIS-26, SONALIKA-26,SOLIS-24
8	02121A-1-1	COOLANT TANK ASSY.	SOLIS-26 FACELIFT
9	02122A-1-1	COOLANT TANK ASSY	SOLIS-24 EPA
10	03110A-1-1	AIR CLEANER ASSY.	SOLIS-26, SONALIKA-26,SOLIS-24
11	04110A-1-1	CLUTCH ASSY WITH ENGINE	SOLIS-26, SONALIKA-26,SOLIS-24
12	05110A-1-1	CLUTCH HOUSING & UNIVERSAL JOINT	SOLIS-26, SONALIKA-26,SOLIS-24
13	05120A-1-1	INPUT SHAFT & 4WD SHAFT ASSY.WITH FRONT COVER HSG.	SOLIS-26, SONALIKA-26,SOLIS-24
14	05130A-1-1	INTERMEDIATE SHAFT & IDLER ASSY	SOLIS-26, SONALIKA-26,SOLIS-24
15	05131A-1-1	INTERMEDIATE SHAFT & IDLER ASSY	SOLIS-26 FACELIFT

Sr.	Sub Chapter	Description	Model
16	05132A-1-1	INTERMEDIATE SHAFT & IDLER ASSY	SOLIS-24 EPA
17	06110A-1-1	SHIFTER HOUSING ASSY.	SOLIS-26, SONALIKA-26,SOLIS-24
18	07110A-1-1	TRANSMISSION HOUSING	SOLIS-26, SONALIKA-26,SOLIS-24
19	07120A-1-1	PTO LAY SHAFT SUB-ASSY.	SOLIS-26, SONALIKA-26,SOLIS-24
20	07130A-1-1	PTO LEVER ASSY	SOLIS-26, SONALIKA-26,SOLIS-24
21	07131A-1-1	PTO LEVER ASSY	SOLIS-26 FACELIFT, SOLIS-24 EPA
22	07140A-1-1	PTO INTERMEDIATE SHAFT, GEARS & END COVER ASSY	SOLIS-26, SONALIKA-26,SOLIS-24
23	07141A-1-1	PTO INTERMEDIATE SHAFT, GEARS & END COVER ASSY	SOLIS-24 EPA
24	07150A-1-1	TAIL PINION SHAFT ASSY.	SOLIS-26, SONALIKA-26,SOLIS-24
25	07160A-1-1	DIFFERENTIAL CAGE & CROWN WHEEL ASSY	SOLIS-26, SONALIKA-26,SOLIS-24
26	08110A-1-1	BP SHAFT, BULL GEAR & REAR AXLE ASSY	SOLIS-26, SONALIKA-26,SOLIS-24
27	09110A-1-1	BRAKE ASSY.	SOLIS-26, SONALIKA-26,SOLIS-24
28	10110A-1-1	HYD. PUMP ASSY.	SOLIS-26, SONALIKA-26
29	10120A-1-1	SUCTION LINE	SOLIS-26
30	10121A-1-1	SUCTION LINE	SOLIS-26, SONALIKA-26
31	10130A-1-1	DELIVERY LINE	SOLIS-26, SONALIKA-26

Sr.	Sub Chapter	Description	Model
32	10131A-1-1	DELIVERY LINE	SOLIS-26 FACELIFT
33	10140A-1-1	PRIORITY VALVE ASSY.	SOLIS-26, SONALIKA-26
34	10150A-1-1	STEERING UNIT PIPES	SOLIS-26, SONALIKA-26
35	10160A-1-1	STEERING UNIT ASSY.	SOLIS-26, SONALIKA-26
36	10161A-1-1	STEERING UNIT ASSY.	SOLIS-26 FACELIFT
37	10170A-1-1	STEERING CYLINDER ASSY.	SOLIS-26, SONALIKA-26
38	10180A-1-1	RETURN TANK LINE	SOLIS-26, SONALIKA-26
39	10190A-1-1	ISA DCV ASSY.	SOLIS-26, SONALIKA-26
40	10200A-1-1	2DA DCV ASSY.	SOLIS-26, SONALIKA-26
41	10210A-1-1	LIFT BODY ASSEMBLY (CHILD PART DETAILS OF 10051219)	SOLIS-26, SONALIKA-26
42	10210A-2-2	CONTROL VALVE ASSY (CHILD PART DETAILS OF 10051219)	SOLIS-26, SONALIKA-26
43	10220A-1-1	CYLINDER ASSEMBLY (CHILD PART DETAILS OF 10051219)	SOLIS-26, SONALIKA-26
44	10230A-1-1	CONTROL LEVERS ASSY (CHILD PART DETAILS OF 10051219)	SOLIS-26, SONALIKA-26
45	10240A-1-1	INTERNAL LEVERS ASSY (CHILD PART DETAILS OF 10051219)	SOLIS-26, SONALIKA-26
46	10250A-1-1	REAR COVER ASSY WITH ADDC FEATURE	SOLIS-26, SONALIKA-26 WITH ADDC
47	10300A-1-1	PRIORITY VALVE AREA	SOLIS-24

Sr.	Sub Chapter	Description	Model
48	10301A-1-1	PRIORITY VALVE AREA	SOLIS-24 EPA
49	10310A-1-1	STEERING UNIT PIPES	SOLIS-24
50	10311A-1-1	STEERING UNIT PIPES	SOLIS-24 EPA
51	10320A-1-1	STEERING CYLINDER PIPES	SOLIS-24
52	10321A-1-1	STEERING CYLINDER PIPES	SOLIS-24 EPA
53	10330A-1-1	SUCTION LINE AREA	SOLIS-24
54	10331A-1-1	SUCTION LINE AREA	SOLIS-24 EPA
55	10340A-1-1	1DA DCV RELATED PARTS	SOLIS-24
56	10341A-1-1	1DA DCV	SOLIS-24 EPA
57	10350A-1-1	REAR COVER AREA RELATED PARTS	SOLIS-24
58	10360A-1-1	PIPES FROM STG. UNIT TO TANK	SOLIS-24
59	10361A-1-1	PIPES FROM STG. UNIT TO TANK	SOLIS-26 FACELIFT
60	10362A-1-1	PIPES FROM STG. UNIT TO TANK	SOLIS-24 EPA
61	10370A-1-1	THREE POINT LINKAGES	SOLIS-24
62	10371A-1-1	THREE POINT LINKAGES	SOLIS-24 EPA
63	11110A-1-1	OPERATING SECTOR ASSY.	SOLIS-26, SONALIKA-26,SOLIS-24

Sr.	Sub Chapter	Description	Model
64	11120A-1-1	OPERATING SECTOR ASSY. WITH ADDC FEATURE	SOLIS-26, SONALIKA-26 WITH ADDC
65	12110A-1-1	FENDER ASSY.	SOLIS-26, SONALIKA-26,SOLIS-24
66	12111A-1-1	FENDER ASSY.	SOLIS-26 FACELIFT
67	12112A-1-1	FENDERS	SOLIS-24 EPA
68	12120A-1-1	FENDER & ROLL OVER PROTECTION	SOLIS-26, SONALIKA-26
69	12121A-1-1	FENDER & ROLL OVER PROTECTION	SOLIS-26 FACELIFT
70	12130A-1-1	DRIVER SEAT ASSY	SOLIS-26, SONALIKA-26,SOLIS-24
71	12140A-1-1	FENDER & ROLL OVER PROTECTION	SOLIS-24
72	12141A-1-1	FENDER & ROLL OVER PROTECTION	SOLIS-24 EPA
73	12150A-1-1	SMV EMBLEM	SOLIS-24
74	12160A-1-1	REAR LED LIGHTS	SOLIS-24
75	12170A-1-1	FRONT LIGHTS	SOLIS-24
76	13110A-1-1	FLOOR MTG. ASSY.	SOLIS-26, SONALIKA-26,SOLIS-24
77	13111A-1-1	FLOOR ASSY.	SOLIS-26 FACELIFT
78	13112A-1-1	FLOOR ASSY.	SOLIS-24 EPA
79	13120A-1-1	FLOOR ASSY.	SOLIS-26, SONALIKA-26,SOLIS-24

Sr.	Sub Chapter	Description	Model
80	13121A-1-1	FLOOR MAT	SOLIS-26 FACELIFT
81	13122A-1-1	FLOOR MAT	SOLIS-24 EPA
82	15110A-1-1	FRONT MESH ASSY.	SOLIS-26, SONALIKA-26,SOLIS-24
83	15120A-1-1	BONNET ASSY.	SOLIS-26, SONALIKA-26,SOLIS-24
84	15121A-1-1	BONNET ASSY.	SOLIS-26 FACELIFT, SOLIS-24 EPA
85	15130A-1-1	BONNET WITH F.A.B ASSY.	SOLIS-26, SONALIKA-26,SOLIS-24
86	17110A-1-1	FUEL TANK ASSY.	SOLIS-26, SONALIKA-26,SOLIS-24
87	17111A-1-1	FUEL TANK	SOLIS-26 FACELIFT, SOLIS-24 EPA
88	17120A-1-1	FUEL TANK RELATED ASSY.	SOLIS-26, SONALIKA-26,SOLIS-24
89	17121A-1-1	DASHBOARD	SOLIS-26 FACELIFT, SOLIS-24 EPA
90	17130A-1-1	FUEL PIPES	SOLIS-26, SONALIKA-26,SOLIS-24
91	17140A-1-1	FUEL PIPES	SOLIS-26, SONALIKA-26,SOLIS-24
92	17150A-1-1	FUEL FILTER ASSY	SOLIS-26, SONALIKA-26,SOLIS-24
93	18110A-1-1	BRAKE PEDAL ASSY.	SOLIS-26, SONALIKA-26,SOLIS-24
94	18111A-1-1	BRAKE PEDAL ASSY.	SOLIS-26 FACELIFT, SOLIS-24 EPA
95	18120A-1-1	CLUTCH PEDAL ASSY.	SOLIS-26, SONALIKA-26,SOLIS-24

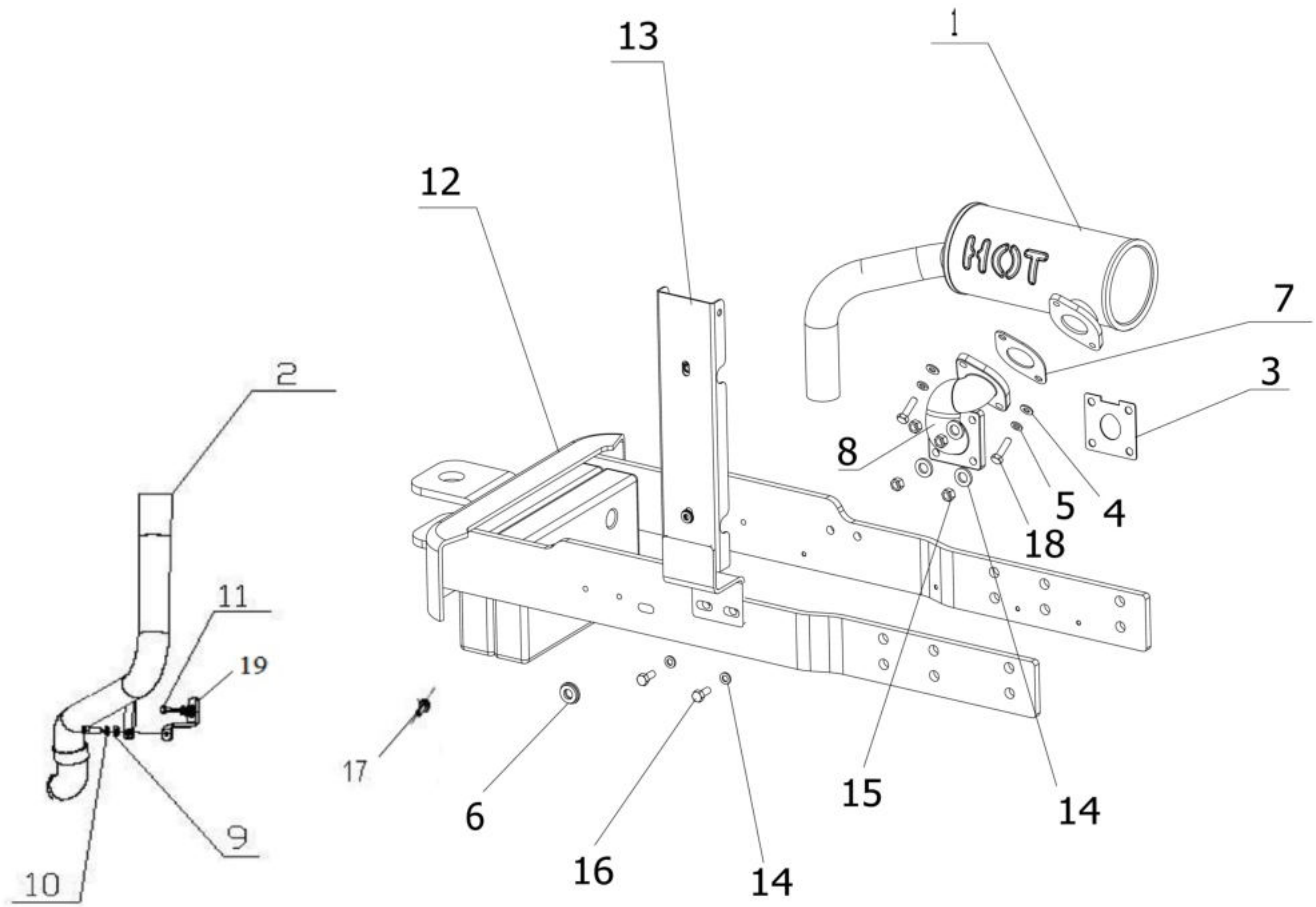
Sr.	Sub Chapter	Description	Model
96	18130A-1-1	PARKING BRAKE ASSY.	SOLIS-26, SONALIKA-26,SOLIS-24
97	18131A-1-1	PARKING BRAKE	SOLIS-26 FACELIFT
98	18132A-1-1	PARKING BRAKE	SOLIS-24 EPA
99	19110A-1-1	FRONT AXLE BKT & RELATED	SOLIS-26, SONALIKA-26,SOLIS-24
100	19111A-1-1	FRONT AXLE BKT & RELATED	SOLIS-26 FACELIFT
101	19112A-1-1	FRONT AXLE BKT. & RELATED	SOLIS-24 EPA
102	19120A-1-1	FRONT AXLE BKT & FRONT WEIGHT	SOLIS-26, SONALIKA-26,SOLIS-24
103	19121A-1-1	FRONT AXLE BKT & WEIGHT ASSY.	SOLIS-26 FACELIFT, SOLIS-24 EPA
104	20110A-1-1	FRONT AXLE -CAGE ASSY.	SOLIS-26, SONALIKA-26,SOLIS-24
105	20120A-1-1	FRONT AXLE- STUB AXLE COVER ASSY.	SOLIS-26, SONALIKA-26,SOLIS-24
106	20130A-1-1	FRONT AXLE - TAIL PINION ASSY.	SOLIS-26, SONALIKA-26,SOLIS-24
107	20140A-1-1	FRONT AXLE- TRUMPET ASSY.	SOLIS-26, SONALIKA-26,SOLIS-24
108	21110A-1-1	THREE POINT LINKAGES WITH RIGID LIFT ROD S	SOLIS-26, SONALIKA-26
109	21111A-1-1	THREE POINT LINKAGES WITH ADDC FEATURE	SOLIS-26, SONALIKA-26 WITH ADDC
110	21112A-1-1	THREE POINT LINKAGES ASSY (MODIFIED).	SOLIS-26, SONALIKA-26
111	21120A-1-1	THREE POINT LINKAGES WITH ADJUSTABLE LIFT ROD S	SOLIS-26,SONALIKA-26

Sr.	Sub Chapter	Description	Model
112	21130A-1-1	CLEVIS TYPE HITCH (E-MARK)	SOLIS-26, SONALIKA-26
113	21131A-1-1	CLEVIS TYPE HITCH (E-MARK)	SOLIS-24 EPA
114	21140A-1-1	SWINGING DRAW BAR	SOLIS-26
115	21150A-1-1	SEMI AUTOMATIC CLEVIS HITCH	SOLIS-26
116	22110A-1-1	FOOT ACCELERATOR & LINKAGES ASSY.	SOLIS-26, SONALIKA-26,SOLIS-24
117	22111A-1-1	HAND THROTTLE	SOLIS-24 EPA
118	24110A-1-1	VARIOUS STICKERS.	SOLIS-26, SONALIKA-26,SOLIS-24
119	24110A-2-2	OTHER VARIOUS STICKERS.	SOLIS-26, SONALIKA-26,SOLIS-24
120	24111A-1-1	VARIOUS STICKERS.	SOLIS-26 FACELIFT, SOLIS-24 EPA
121	24111A-2-2	VARIOUS STICKERS.	SOLIS-26 FACELIFT, SOLIS-24 EPA
122	24112A-1-1	VARIOUS STICKERS	SONALIKA-26 FACELIFT
123	24120A-1-1	VARIOUS STICKERS.	SOLIS-24
124	24130A-1-1	VARIOUS STICKERS.	SOLIS-26 FACELIFT
125	25110A-1-1	FRONT TYRE.	SOLIS-26, SONALIKA-26,SOLIS-24
126	25120A-1-1	REAR TYRE.	SOLIS-26, SONALIKA-26,SOLIS-24
127	26110A-1-1	ALTERNATOR & STARTER ASSY	SOLIS-26, SONALIKA-26,SOLIS-24

Sr.	Sub Chapter	Description	Model
128	26120A-1-1	FRONT PANEL ASSY.	SOLIS-26, SONALIKA-26,SOLIS-24
129	26121A-1-1	FRONT PANEL ASSY.	SOLIS-26 FACELIFT, SOLIS-24 EPA
130	26130A-1-1	ELECTRICALS & MISC.	SOLIS-26, SONALIKA-26,SOLIS-24
131	26131A-1-1	ELECTRICALS & MISC.	SOLIS-26 FACELIFT, SOLIS-24 EPA
132	26140A-1-1	CLUSTER ASSY.	SOLIS-26, SONALIKA-26,SOLIS-24
133	26141A-1-1	CLUSTER ASSY.	SOLIS-26 FACELIFT, SOLIS-24 EPA
134	27110A-1-1	ACCESSORIES	SOLIS-26, SONALIKA-26,SOLIS-24
135	27111A-1-1	ACCESSORIES	SONALIKA-26 FACELIFT

01110A-1/1

MUFFLER ASSY.



Sr.	Model	Item Code	Description	Qty	Int.	Remarks	Cut Off
1	SOLIS-26, SONALIKA-26	10053464AC	UNDERHOOD SILENCER	1			
1	SOLIS-26, SONALIKA-26, SOLIS-24	10053464AE	UNDERHOOD SILENCER	1			
2	SOLIS-26, SONALIKA-26	10053465AB	EXHAUST PIPE FOR UNDERHOOD SILENCER	1			
2	SOLIS-26, SONALIKA-26, SOLIS-24	10053465AD	EXHAUST PIPE FOR UNDERHOOD SILENCER	1	YES		MEMHMKSF567 987G26
2	SOLIS-26, SONALIKA-26	10053465AE	EXHAUST PIPE FOR UNDERHOOD SILENCER	1	YES		KMKSU525476G 26D
2	SOLIS-26, SONALIKA-26	10053465AF	EXHAUST PIPE FOR UNDERHOOD SILENCER	1	YES	PART MODIFIED FROM 10053465AD	GMKST637977G 26
2	SOLIS-24	10053465AD	EXHAUST PIPE FOR UNDERHOOD SILENCER	1			

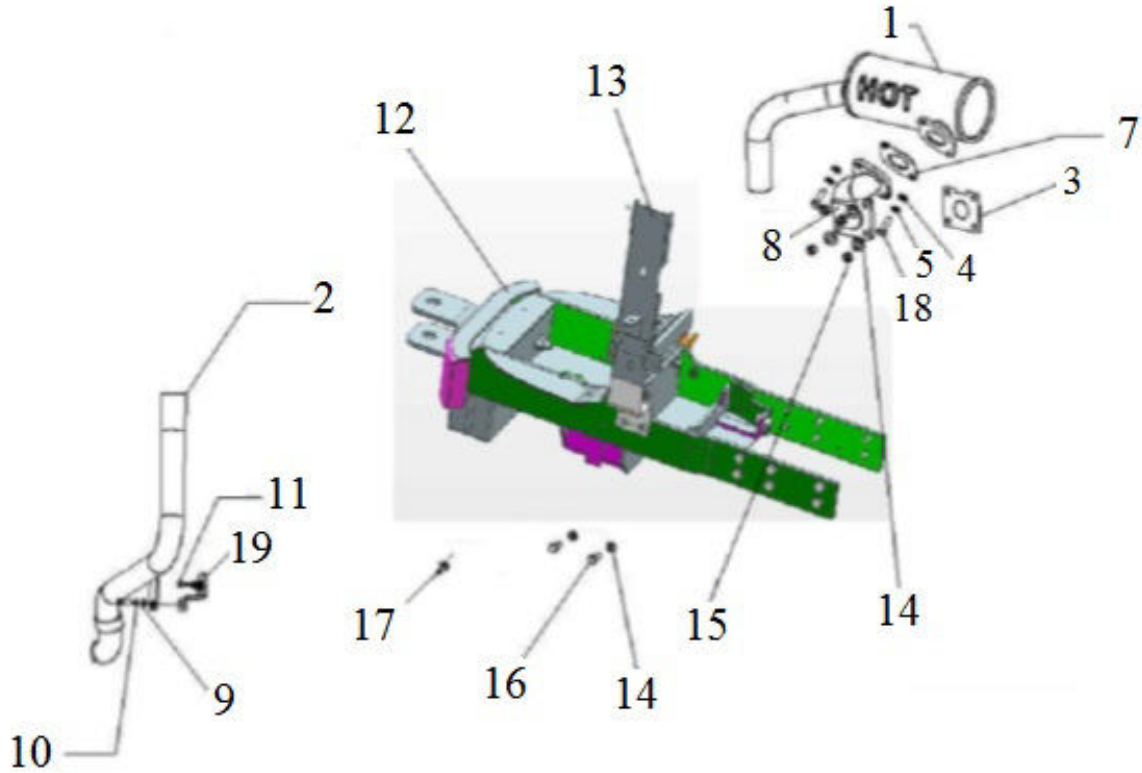
Sr.	Model	Item Code	Description	Qty	Int.	Remarks	Cut Off
2	SOLIS-24	10053465AF	EXHAUST PIPE FOR UNDERHOOD SILENCER	1	YES		GMKST637977G26
3	SOLIS-24	10053459AC	GASKET FOR EXHAUST 26HP EEC	1			
3	SOLIS-26, SONALIKA-26	10053459AA	GASKET FOR EXHAUST	1		INTERCHANGEABLE WITH 10053459AC (ROHS)	
3	SOLIS-26, SONALIKA-26	10053459AC	GASKET FOR EXHAUST 26HP EEC	1	YES	(ROHS) INTERCHANGEABLE WITH 10053459AA	
4	SOLIS-26, SONALIKA-26	04030600008	PLAIN WASHER DIA 8.4 *DIA 17*1.6	2			
4	SOLIS-24	20003658AB	PUNCHED WASHER A (9) IS:2016 STEEL	2			
5	SOLIS-26, SONALIKA-26	04030400008	SPRING WASHER B-8	2		INTERCHANGEABLE WITH 20005517AA (ROHS)	
5	SOLIS-24	20003670AC	SPRING WASHER B-8 TYPE-A IS: 3063-1972	2			
5	SOLIS-26, SONALIKA-26	20005517AA	SPRING WASHER B-8 TYPE A IS: 3067-1972	2	YES	(ROHS) INTERCHANGEABLE WITH 04030400008	
6	SOLIS-26, SONALIKA-26	10053759AA	BUSH FOR PARKING BRAKE	1		DELETED	
7	SOLIS-26, SONALIKA-26	10053706AA	GASKET (INLET ELBOW)	1		INTERCHANGEABLE WITH 10053706AC (ROHS)	
7	SOLIS-24	10053706AC	GASKET (INLET ELBOW)	1			
7	SOLIS-26, SONALIKA-26	10053706AC	GASKET (INNER ELBOW)	1	YES	(ROHS) INTERCHANGEABLE WITH 10053706AA	
8	SOLIS-26, SONALIKA-26	10053660AA	INLET MANIFOLD UNDERHOOD SILENCER	1			
8	SOLIS-26, SONALIKA-26, SOLIS-24	10053660AB	INLET MANIFOLD UNDERHOOD SILENCER	1			
9	SOLIS-24	20003658AB	PUNCHED WASHER A (9) IS:2016 STEEL	2			
9	SOLIS-26, SONALIKA-26	04030600008	PLAIN WASHER DIA 8.4 *DIA 17*1.6	2		FITTED WITH 10053465AD KMKSU525476 G26D, DELETED WITH 10053465AE FROM MEMHMKSF56 7987G26	
10	SOLIS-26, SONALIKA-26	04030400008	SPRING WASHER B-8	2		FITTED WITH 10053465AD, DELETED WITH 10053465AE FROM	
10	SOLIS-24	20003670AC	SPRING WASHER B-8 TYPE-A IS: 3063-1972	2			
10	SOLIS-26, SONALIKA-26	20005517AA	SPRING WASHER B-8 TYPE A IS: 3067-1972	2	YES	(ROHS) INTERCHANGEABLE WITH 04030400008	

Sr.	Model	Item Code	Description	Qty	Int.	Remarks	Cut Off
11	SOLIS-26, SONALIKA-26	20003285AB	HEX SCREW M8X1.25X30 8-8 SA2JS	2			
11	SOLIS-26, SONALIKA-26	20003285AC	HEX SCREW M8X1.25X30 8-8 SA4JS	2			
11	SOLIS-26, SONALIKA-26, SOLIS-24	20001096AA	HEX. HEAD SCREW M8 X 1.25 X 20 8-8 SA2JS	2		FITTED WITH 10053465AD KMKSU525476 G26D, DELETED WITH 10053465AE FROM MEMHMKSF56 7987G26	
11	SOLIS-26, SONALIKA-26, SOLIS-24	20005565AA	HEX HEAD SCREW M8X1.25X20 -8.8 SA4GS	2	YES	(ROHS) INTERCHANGE ABLE WITH 20001096AA	
12	SOLIS-26, SONALIKA-26	10053384AB	FRT AXLE BKT GT26 EEC	1			
12	SOLIS-26, SONALIKA-26	10053384AD	FRT AXLE BKT GT26 EEC	1			
12	SOLIS-26, SONALIKA-26, SOLIS-24	10053384AE	FRT AXLE BKT GT26 EEC	1	YES		MEMGMKSF554 589G26
13	SOLIS-26, SONALIKA-26	10052504AB	RADIATOR MTG BKT RH 24HP	1			
13	SOLIS-26, SONALIKA-26	10052504AD	RADIATOR MTG BKT ASSY RH	1			
13	SOLIS-24	10052504AE	RADIATOR MTG BKT ASSY RH	1			
13	SOLIS-26, SONALIKA-26	10052505AC	RADIATOR MTG BKT LH 24HP	1			
13	SOLIS-26, SONALIKA-26	10052505AE	RADIATOR MTG BKT ASSY LH	1			
14	SOLIS-26, SONALIKA-26	04030400010	SPRING WASHER B-10	8			
14	SOLIS-24	20003671AC	SPRING WASHER B-10 TYPE-A IS: 3063-1972	8		INTERCHANGE ABLE WITH 20005518AA (ROHS)	
14	SOLIS-24	20005518AA	SPRING WASHER B-10 TYPE A IS: 3067-1972	8	YES	(ROHS) INTERCHANGE ABLE WITH 20003671AC	
15	SOLIS-26, SONALIKA-26	20003357AB	HEX NUT M10 -8 SA2JS	4			
15	SOLIS-24	20003357AD	HEX NUT M10 -8 SA4JS	4		INTERCHANGE ABLE WITH 20003357AF (ROHS)	
15	SOLIS-24	20003357AF	HEX NUT M10 -8 SA4GS	4		(ROHS) INTERCHANGE ABLE WITH 20003357AD	
16	SOLIS-26, SONALIKA-26	20003991AA	HEX BOLT M10X1.6X40	4		INTERCHANGE ABLE WITH 20005544AA (ROHS)	
16	SOLIS-24	20003991AC	HEX BOLT M10X1.6X40 SA4JS	4			
16	SOLIS-26, SONALIKA-26	20005544AA	HEX BOLT M10X1.5X40 SA4GS	4		(ROHS) INTERCHANGE ABLE WITH 20003991AA	
17	SOLIS-26, SONALIKA-26	20003518AA	HEX FLANGE SCREW M6*1*20-8.8 SA2JS	1		INTERCHANGE ABLE WITH	

Sr.	Model	Item Code	Description	Qty	Int.	Remarks	Cut Off
						20005541AA (ROHS)	
17	SOLIS-24	20003518AB	HEX FLANGE SCREW M6*1*20-8.8 SA4JS	1			
17	SOLIS-26, SONALIKA-26	20005541AA	HEX FLANGE SCREW M6*1*20 -8.8 SA4GS	1	YES	(ROHS) INTERCHANGE ABLE WITH 20003518AA	
18	SOLIS-26, SONALIKA-26	20001096AA	HEX. HEAD SCREW M8 X 1.25 X 20 8-8 SA2JS	2		INTERCHANGE ABLE WITH 20005565AA (ROHS)	
18	SOLIS-24	20001096AB	HEX. HEAD SCREW M8 X 1.25 X 20 8-8 SA4JS	2			
18	SOLIS-26, SONALIKA-26	20005565AA	HEX HEAD SCREW M8X1.25X20 -8.8 SA4GS	2	YES	(ROHS) INTERCHANGE ABLE WITH 20001096AA	
19	SOLIS-26, SONALIKA-26, SOLIS-24	10054532AA	MTG BKT FOR UNDERHOOD SILENCER	1		FITTED WITH 10053465AD KMKSU525476 G26D, DELETED WITH 10053465AE FROM MEMHMKSF56 7987G26	
19	SOLIS-26, SONALIKA-26, SOLIS-24	10054532AB	MTG BKT FOR UNDERHOOD SILENCER	1		WITH 20003355AB	MEMMYEDT624 377WNT
20	SOLIS-26, SONALIKA-26, SOLIS-24	20003355AB	HEX NUT M8X1.25 -8 SA2JS	1		NOT SHOWN, PART ADDED WITH 10054532AB FROM	MEMMYEDT624 377WNT

01111A-1/1

MUFFLER ASSY



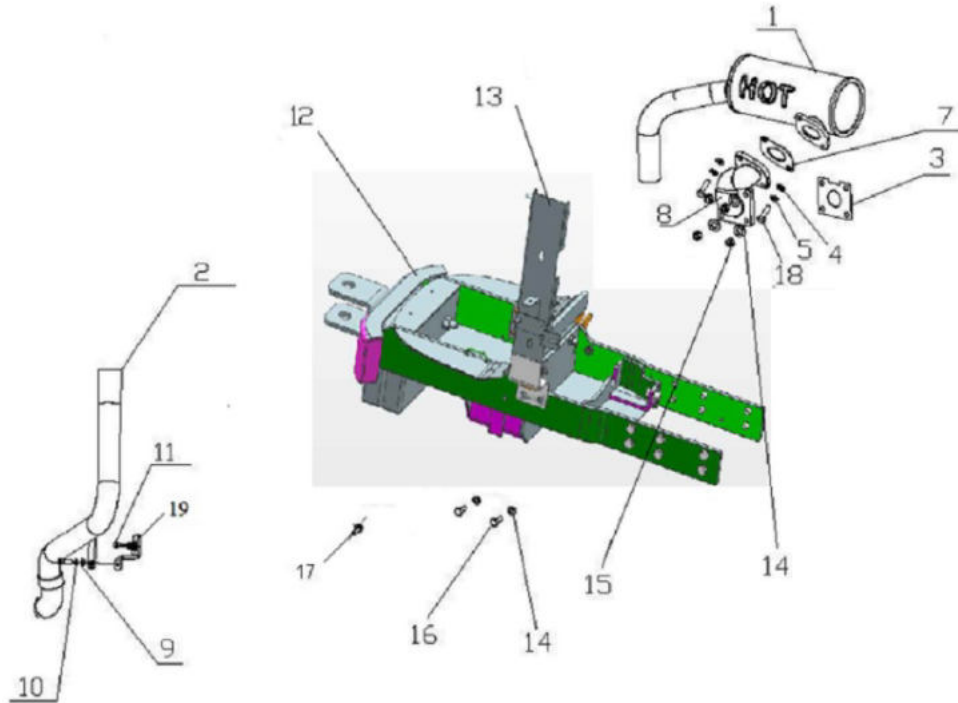
Sr.	Model	Item Code	Description	Qty	Int.	Remarks	Cut Off
1	ALL MODELS	10053464AE	UNDERHOOD SILENCER	1			
2	ALL MODELS	10053465AF	EXHAUST PIPE FOR UNDERHOOD SILENCER	1			
3	ALL MODELS	10053459AA	GASKET FOR EXHAUST	1		INTERCHANGEABLE WITH 10053459AC (ROHS)	
3	ALL MODELS	10053459AC	GASKET FOR EXHAUST 26HP EEC	1	YES	(ROHS) INTERCHANGEABLE WITH 10053459AA	
4	ALL MODELS	04030600008	PLAIN WASHER DIA 8.4 *DIA 17*1.6	2			
5	ALL MODELS	04030400008	SPRING WASHER B-8	2		INTERCHANGEABLE WITH 20005517AA	

Sr.	Model	Item Code	Description	Qty	Int.	Remarks	Cut Off
						(ROHS)	
5	ALL MODELS	20005517AA	SPRING WASHER B-8 TYPE A IS: 3067-1972	2	YES	(ROHS) INTERCHANGE ABLE WITH 04030400008	
7	ALL MODELS	10053706AA	GASKET (INLET ELBOW)	1		INTERCHANGE ABLE WITH 10053706AC (ROHS)	
7	ALL MODELS	10053706AC	GASKET (INNER ELBOW)	1	YES	(ROHS) INTERCHANGE ABLE WITH 10053706AA	
8	ALL MODELS	10053660AB	INLET MANIFOLD UNDERHOOD SILENCER	1			
9	ALL MODELS	04030600008	PLAIN WASHER DIA 8.4 *DIA 17*1.6	2			
10	ALL MODELS	04030400008	SPRING WASHER B-8	2		INTERCHANGE ABLE WITH 20005517AA (ROHS)	
10	ALL MODELS	20005517AA	SPRING WASHER B-8 TYPE A IS: 3067-1972	2	YES	(ROHS) INTERCHANGE ABLE WITH 04030400008	
11	ALL MODELS	20001096AA	HEX. HEAD SCREW M8 X 1.25 X 20 8-8 SA2JS	2		INTERCHANGE ABLE WITH 20005565AA (ROHS)	
11	ALL MODELS	20005565AA	HEX HEAD SCREW M8X1.25X20 -8.8 SA4GS	2	YES	(ROHS) INTERCHANGE ABLE WITH 20001096AA	
12	ALL MODELS	10057720AB	FRT AXLE BKT GT26 EEC	1			
12	SONALIKA-26 FACELIFT	10057720AE	FRT AXLE BKT GT26 EEC	1			
13	ALL MODELS	10057548AD	RADIATOR MTG BKT ASSY RH	1			
13	ALL MODELS	10057549AD	RADIATOR MTG BKT ASSY LH	1			
14	ALL MODELS	04030400010	SPRING WASHER B-10	8			
15	ALL MODELS	20003357AB	HEX NUT M10 -8 SA2JS	4			
15	SONALIKA-26 FACELIFT	20003357AF	HEX NUT M10 -8 SA4GS	4			
16	ALL MODELS	20003991AA	HEX BOLT M10X1.6X40	4		INTERCHANGE ABLE WITH 20005544AA (ROHS)	
16	ALL MODELS	20005544AA	HEX BOLT M10X1.5X40 SA4GS	4		(ROHS) INTERCHANGE ABLE WITH 20003991AA	
17	ALL MODELS	20003518AA	HEX FLANGE SCREW M6*1*20-8.8 SA2JS	1		INTERCHANGE ABLE WITH 20005541AA (ROHS)	
17	ALL MODELS	20005541AA	HEX FLANGE SCREW M6*1*20 -8.8 SA4GS	1	YES	(ROHS) INTERCHANGE ABLE WITH 20003518AA	
18	ALL MODELS	20001096AA	HEX. HEAD SCREW M8 X 1.25 X 20 8-8 SA2JS	2		INTERCHANGE ABLE WITH	

Sr.	Model	Item Code	Description	Qty	Int.	Remarks	Cut Off
						20005565AA (ROHS)	
18	ALL MODELS	20005565AA	HEX HEAD SCREW M8X1.25X20 -8.8 SA4GS	2	YES	(ROHS) INTERCHANGE ABLE WITH 20001096AA	
19	ALL MODELS	10054532AB	MTG BKT FOR UNDERHOOD SILENCER	1			

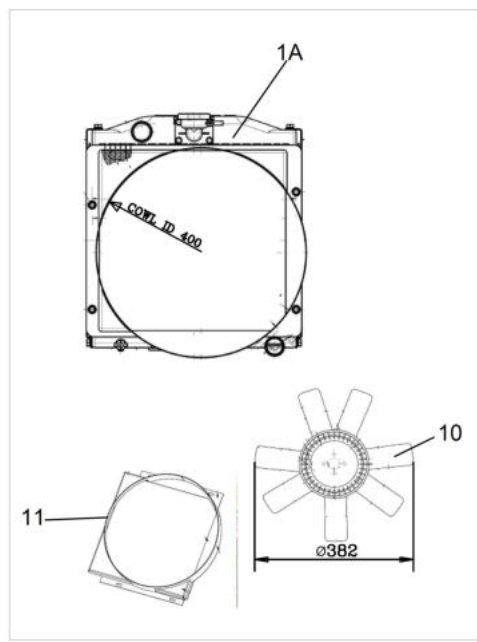
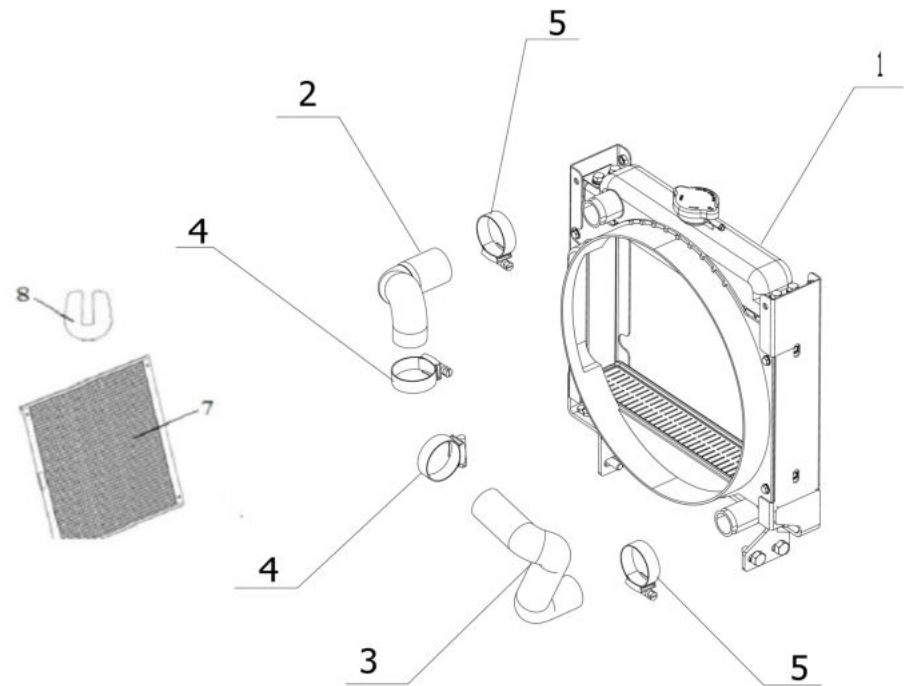
01112A-1/1

MUFFLER ASSY



Sr.	Model	Item Code	Description	Qty	Int.	Remarks	Cut Off
1	ALL MODELS	10053464AE	UNDERHOOD SILENCER	1			
2	ALL MODELS	10053465AF	EXHAUST PIPE FOR UNDERHOOD SILENCER	1			
3	ALL MODELS	10053459AC	GASKET FOR EXHAUST	1			
4	ALL MODELS	20004935AB	PLAIN WASHER DIA 8.4 *DIA 17*1.6	2			
5	ALL MODELS	20005517AA	SPRING WASHER B-8 TYPE A IS: 3067-1972	2			
7	ALL MODELS	10053706AC	GASKET (INLET ELBOW)	1			
8	ALL MODELS	10053660AB	INLET MANIFOLD UNDERHOOD SILENCER	1			
9	ALL MODELS	20004935AB	PLAIN WASHER DIA 8.4 *DIA 17*1.6	2			

Sr.	Model	Item Code	Description	Qty	Int.	Remarks	Cut Off
10	ALL MODELS	20005517AA	SPRING WASHER B-8 TYPE A IS: 3067-1972	2			
11	ALL MODELS	20005565AA	HEX HEAD SCREW M8X1.25X20 -8.8 SA4GS	2			
12	ALL MODELS	10057720AB	FRT AXLE BKT GT26 EEC	1			
13	ALL MODELS	10057548AD	RADIATOR MTG BKT ASSY RH	1			
13	ALL MODELS	10057549AD	RADIATOR MTG BKT ASSY LH	1			
14	ALL MODELS	20005518AA	SPRING WASHER B-10 TYPE A IS: 3067-1972	8			
15	ALL MODELS	20005503AA	HEX NUT M10 -8 SA4GS	4			
16	ALL MODELS	20005544AA	HEX BOLT M10X1.5X40 SA4GS	4			
17	ALL MODELS	20005541AA	HEX FLANGE SCREW M6*1*20 -8.8 SA4GS	1			
18	ALL MODELS	20005565AA	HEX HEAD SCREW M8X1.25X20 -8.8 SA4GS	2			
19	ALL MODELS	10054532AB	MTG BKT FOR UNDERHOOD SILENCER	1			

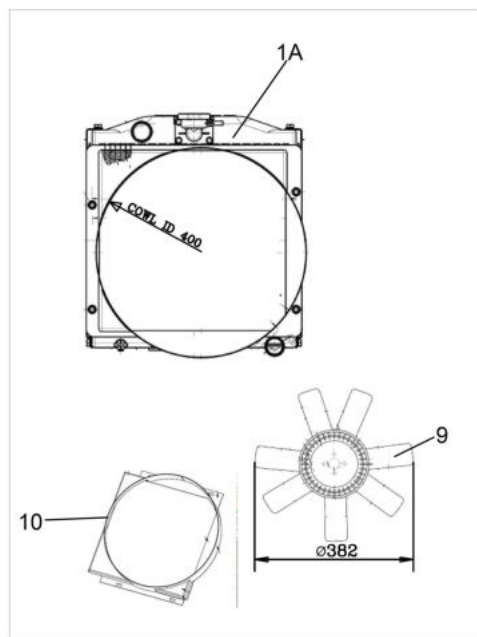
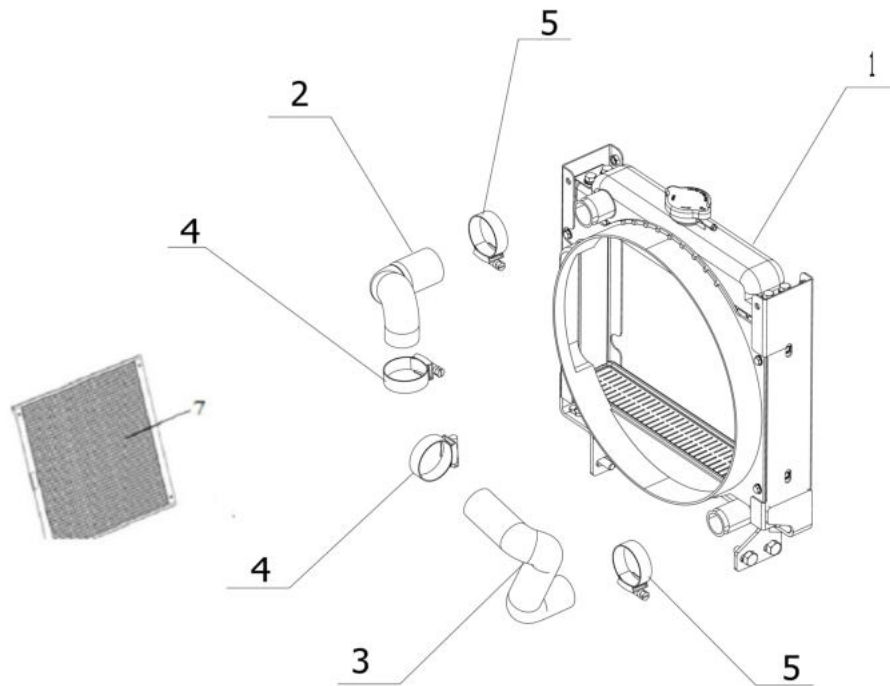


Sr.	Model	Item Code	Description	Qty	Int.	Remarks	Cut Off
1	SOLIS-26, SONALIKA-26	10052506AA	RADIATOR ASSY 24HP	1			
1	SOLIS-26, SONALIKA-26	803013085A	RADIATOR ASSY. (GARDENTRAC) 26HP	1			
1	SOLIS-24	803413093B	RADIATOR ASSY._COWL DIA 400 MM	1			
1A	SOLIS-26	803013085C	RADIATOR ASSY. (GARDENTRAC) 26HP	1			
1A	SOLIS-26	300097825A	RADIATOR ASSY COWL ID 400	1	NO	Following parts (803013085C, 10051911AA) are interchangeable as a set with (300097825A, 803013099A, 300104547A)	AMKSS836505G 26

Sr.	Model	Item Code	Description	Qty	Int.	Remarks	Cut Off
2	SOLIS-26, SONALIKA-26	10054076AA	HOSE THERMOSTAT TO RADIATOR	1		INTERCHANGEABLE WITH 10054076AB (ROHS)	
2	SOLIS-26, SONALIKA-26	10052507AD	RADIATOR HOSE (THERMOSTATE TO RADIATOR)	1			
2	SOLIS-24	10054076AB	HOSE THERMOSTAT TO RADIATOR	1			
2	SOLIS-26, SONALIKA-26	10054076AB	HOSE THERMOSTAT TO RADIATOR	1	YES	(ROHS) INTERCHANGEABLE WITH 10054076AA	
3	SOLIS-26, SONALIKA-26	10052508AC	RADIATOR HOSE (RADIATOR TO WATER PUMP)24	1			
3	SOLIS-26, SONALIKA-26	10052508AD	RADIATOR HOSE (RADIATOR TO WATER PUMP)24	1		INTERCHANGEABLE WITH 10052508AE (ROHS)	
3	SOLIS-24	10052508AE	RADIATOR HOSE (RADIATOR TO WATER PUMP)24	1			
3	SOLIS-26, SONALIKA-26	10052508AE	RADIATOR HOSE (RADIATOR TO WATER PUMP)24	1		(ROHS) INTERCHANGEABLE WITH 10052508AD	
4	SOLIS-26, SONALIKA-26	20004338AA	HOSE WORM CLAMP 32X45 IS:4762	2		INTERCHANGEABLE WITH 20004338AB (ROHS)	
4	SOLIS-24	20004338AB	HOSE WORM CLAMP 32X45 IS:4762	2			
4	SOLIS-26, SONALIKA-26	20004338AB	HOSE WORM CLAMP 32X45 IS:4762	2	YES	(ROHS) INTERCHANGEABLE WITH 20004338AA	
5	SOLIS-26, SONALIKA-26	20004049AA	HOSE WORM CLAMP DIA 52	2		INTERCHANGEABLE WITH 20004049AB (ROHS)	
5	SOLIS-24	20004049AB	HOSE WORM CLAMP DIA 52	2			
5	SOLIS-26, SONALIKA-26	20004049AB	HOSE WORM CLAMP DIA 52	2	YES	(ROHS) INTERCHANGEABLE WITH 20004049AA	
6	SOLIS-26, SONALIKA-26, SOLIS-24	20001568AB	CONCENTRATE COOLING LIQUID	1.5		IN LITRES,NOT SHOWN	
7	MODELS WITH FRONT TRASH GUARD	10055499AA	FRONT THRESH GUARD SOLIS 26 (BLACK PAINT)	1			
7	MODELS WITH FRONT TRASH GUARD	10055499AB	FRONT THRESH GUARD SOLIS 26 (BLACK PAINT)	1	YES		MEMGMKST636035G26
7	MODELS WITH FRONT TRASH GUARD	10055498AA	FRONT THRESH GUARD SOLIS 26 (W/O PAINT)	1			
7	MODELS WITH FRONT TRASH GUARD	10055498AB	FRONT THRESH GUARD SOLIS 26 (W/O PAINT)	1	YES		MEMGMKST636035G26
7	SOLIS-24	10055499AA	FRONT THRESH GUARD SOLIS 26 (BLACK PAINT)	1			
7	SOLIS-24	10055499AB	FRONT THRESH GUARD SOLIS 26 (BLACK PAINT)	1	YES		MEMGMKST636035G26
7	SOLIS-24	10055498AA	FRONT THRESH GUARD SOLIS 26 (W/O PAINT)	1			
7	SOLIS-24	10055498AB	FRONT THRESH GUARD SOLIS 26 (W/O PAINT)	1	YES		MEMGMKST636035G26
8	WHERE WIRE MESH OR TRASH GUARD IS FITTED	10057235AA	RUBBER BEEDING	1		RUBBER BEADING ADDED FOR	

Sr.	Model	Item Code	Description	Qty	Int.	Remarks	Cut Off
						TRASH GUARD FROM DMKSF585771 G26D, DELETED WITH 10055498AB FROM MEMGMKST63 6035G26	
8	SOLIS-24	10057235AA	RUBBER BEEDING	1		RUBBER BEADING ADDED FOR TRASH GUARD FROM DMKSF585771 G26D, DELETED WITH 10055498AB FROM MEMGMKST63 6035G26	
9	WHERE WIRE MESH OR FRONT TRASH GUARD IS FITTED	20004250AA	LOCTITE-401	5 ML		QTY IN ML, DELETED WITH 10055498AB FROM MEMGMKST63 6035G26	
9	SOLIS-24	20004250AA	LOCTITE-401	5 ML		QTY IN ML, DELETED WITH 10055498AB FROM MEMGMKST63 6035G26	
10	SOLIS-26	10051911AA	RADIATOR FAN DIA 350 MM (GT)	1		INTERCHANGE ABLE WITH 10051911AB (ROHS)	
10	SOLIS-26	803013099A	FAN ASSY.382D.(NYLON-7 BLADE) MISTUBISHI	1	NO	Following parts (803013085C, 10051911AA) are interchangeable as a set with (300097825A, 803013099A, 300104547A)	AMKSS836505G 26
10	SOLIS-26	10051911AB	RADIATOR FAN DIA 350 MM (GT)	1		(ROHS) INTERCHANGE ABLE WITH 10051911AA	
11	SOLIS-26	300104547A	COWL DIA 400	1		NEW PART ADDED, Following parts (803013085C, 10051911AA) are interchangeable as a set with (300097825A, 803013099A, 300104547A)	AMKSS836505G 26

RADIATOR HOSE ASSY.



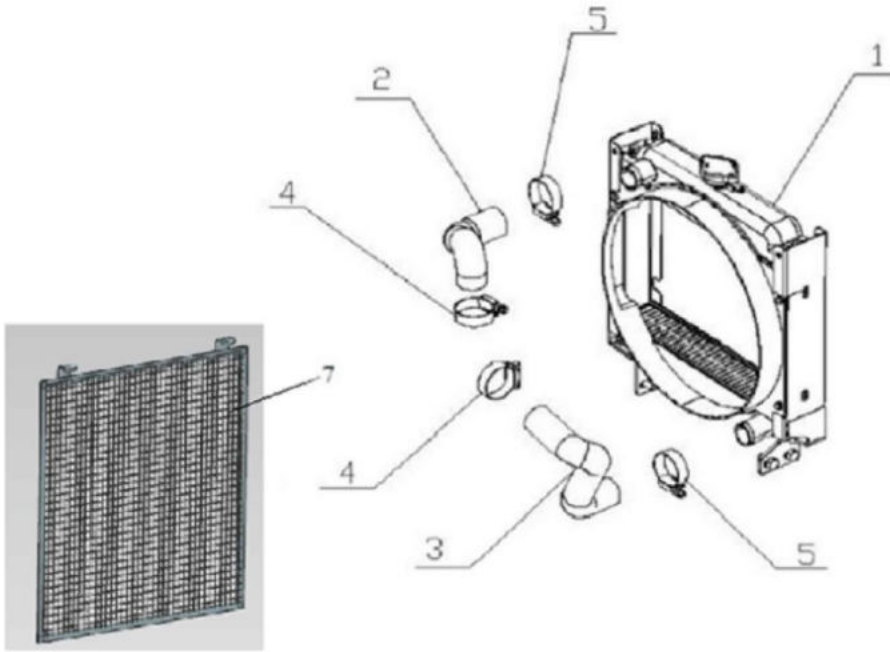
Sr.	Model	Item Code	Description	Qty	Int.	Remarks	Cut Off
1	ALL MODELS	803013085C	RADIATOR ASSY. (GARDENTRAC) 26HP	1			
1A	ALL NON EU MODELS	803013085C	RADIATOR ASSY. (GARDENTRAC) 26HP	1			
1A	ALL NON EU MODELS	300097825A	RADIATOR ASSY COWL ID 400	1	NO	Following parts (803013085C, 10051911AA) are interchangeable as a set with (300097825A, 803013099A, 300104547A)	BMKSS806623G 26
2	ALL MODELS	10054076AA	HOSE THERMOSTAT TO RADIATOR	1		INTERCHANGEABLE WITH 10054076AB (ROHS)	

Sr.	Model	Item Code	Description	Qty	Int.	Remarks	Cut Off
2	ALL MODELS	10054076AB	HOSE THERMOSTAT TO RADIATOR	1	YES	(ROHS) INTERCHANGE ABLE WITH 10054076AA	
3	ALL MODELS	10052508AD	RADIATOR HOSE (RADIATOR TO WATER PUMP)24	1		INTERCHANGE ABLE WITH 10052508AE (ROHS)	
3	ALL MODELS	10052508AE	RADIATOR HOSE (RADIATOR TO WATER PUMP)24	1		(ROHS) INTERCHANGE ABLE WITH 10052508AD	
4	ALL MODELS	20004338AA	HOSE WORM CLAMP 32X45 IS:4762	2		INTERCHANGE ABLE WITH 20004338AB (ROHS)	
4	ALL MODELS	20004338AB	HOSE WORM CLAMP 32X45 IS:4762	2	YES	(ROHS) INTERCHANGE ABLE WITH 20004338AA	
5	ALL MODELS	20004049AA	HOSE WORM CLAMP DIA 52	2		INTERCHANGE ABLE WITH 20004049AB (ROHS)	
5	ALL MODELS	20004049AB	HOSE WORM CLAMP DIA 52	2	YES	(ROHS) INTERCHANGE ABLE WITH 20004049AA	
6	ALL MODELS	20001568AB	CONCENTRATE COOLING LIQUID	1.5		IN LITRES,NOT SHOWN	
7	ALL MODELS	10055499AC	FRONT THRESH GUARD SOLIS 26 (BLACK PAINT)	1			
7	ALL MODELS	10055498AC	FRONT THRESH GUARD SOLIS 26 (W/O PAINT)	1			
7	SONALIKA-26 FACELIFT	300104763B	FRONT THRESH GUARD SOLIS 26 FACELIFT (W	1			
7	ALL MODELS	300104763B	FRONT THRESH GUARD SOLIS 26 FACELIFT (W/O PAINT)	1	YES		FOR EU MODELS- MEMRMKSNF KH05625 FOR NON EU MODELS- FMKSS852097G 26
7	ALL MODELS	300104764B	FRONT THRESH GUARD SOLIS 26 FACELIFT (BLACK PAINT)	1	YES		FOR EU MODELS- MEMRMKSNF KH05625 FOR NON EU MODELS- FMKSS852097G 26
8	ALL MODELS	20004250AA	LOCTITE-401	5		QTY IN ML,NOT SHOWN	
9	ALL NON EU MODELS	10051911AA	RADIATOR FAN DIA 350 MM (GT)	1		INTERCHANGE ABLE WITH 10051911AB (ROHS)	
9	ALL NON EU MODELS	803013099A	FAN ASSY.382D.(NYLON-7 BLADE) MISTUBISHI	1	NO	Following parts (803013085C, 10051911AA) are interchangeable as a set with	BMKSS806623G 26

Sr.	Model	Item Code	Description	Qty	Int.	Remarks	Cut Off
						(300097825A, 803013099A, 300104547A)	
9	ALL NON EU MODELS	10051911AB	RADIATOR FAN DIA 350 MM (GT)	1		(ROHS) INTERCHANGE ABLE WITH 10051911AA	
10	ALL NON EU MODELS	300104547A	COWL DIA 400	1		NEW PART ADDED, Following parts (803013085C, 10051911AA) are interchangeable as a set with (300097825A, 803013099A, 300104547A)	BMKSS806623G 26
10	SONALIKA-26 FACELIFT	300110179A	RADIATOR COWL ID 400 (W/O PAINT)	1			

02112A-1/1

RADIATOR ASSY

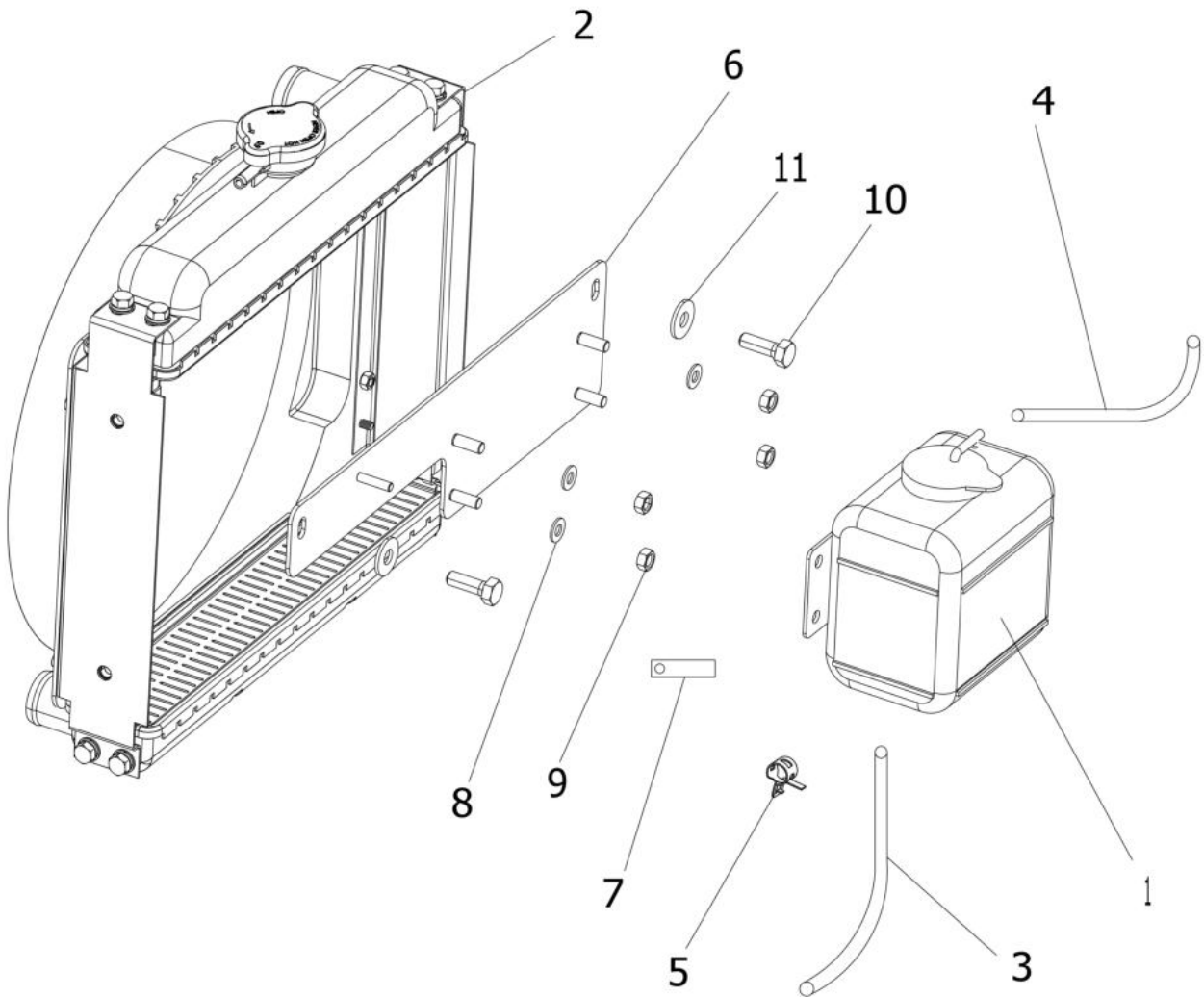


Sr.	Model	Item Code	Description	Qty	Int.	Remarks	Cut Off
1	ALL MODELS	803413093B	RADIATOR ASSY. (GARDENTRAC) 26HP	1			
2	ALL MODELS	10054076AB	HOSE THERMOSTAT TO RADIATOR	1			
3	ALL MODELS	10052508AE	RADIATOR HOSE (RADIATOR TO WATER PUMP)24	1			
4	ALL MODELS	20004338AB	HOSE WORM CLAMP 32X45 IS:4762	2			
5	ALL MODELS	20004049AB	HOSE WORM CLAMP DIA 52	2			
6	ALL MODELS	20001568AB	CONCENTRATE COOLING LIQUID	1.5		IN LITRES,NOT SHOWN	
7	ALL MODELS	10055499AB	FRONT THRESH GUARD SOLIS 26 (BLACK PAINT)	1			
7	ALL MODELS	10055498AB	FRONT THRESH GUARD SOLIS 26 (W/O PAINT)	1			

Sr.	Model	Item Code	Description	Qty	Int.	Remarks	Cut Off
8	ALL MODELS	20004250AA	LOCTITE-401	5		QTY IN ML	

02120A-1/1

COOLANT TANK ASSY.



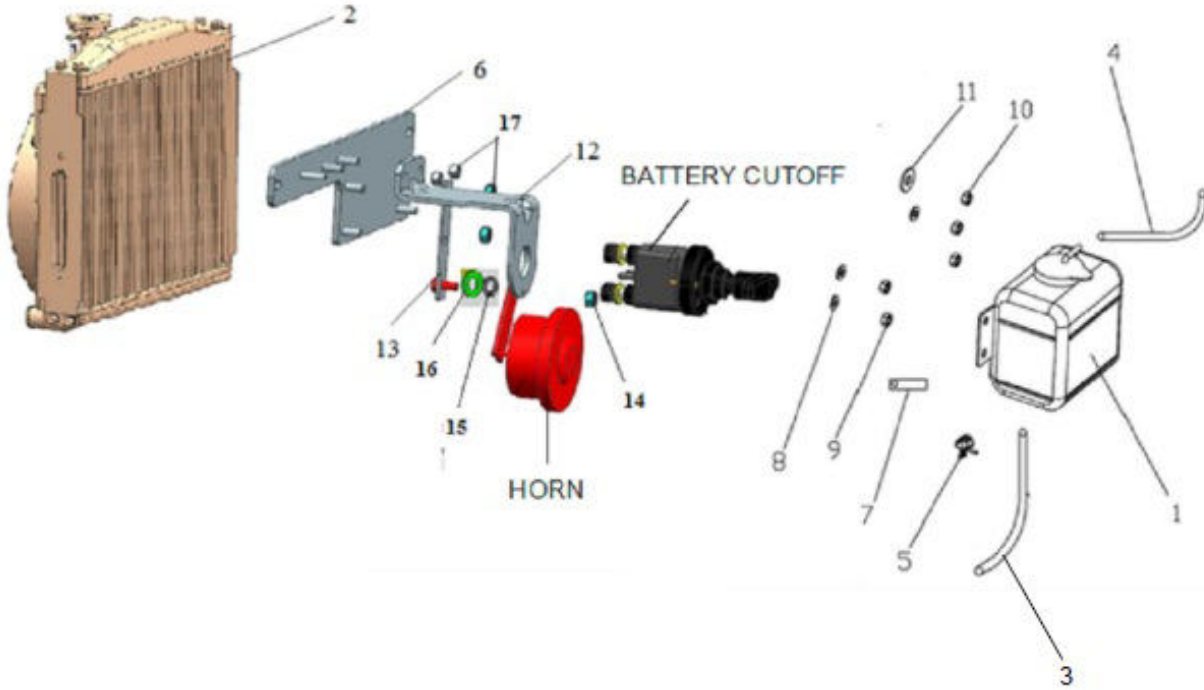
Sr.	Model	Item Code	Description	Qty	Int.	Remarks	Cut Off
1	SOLIS-26, SONALIKA-26	10023524AB	COOLANT ASSY	1		INTERCHANGEABLE WITH 10023524AC (ROHS)	
1	SOLIS-24	10023524AC	COOLANT ASSY	1			
1	SOLIS-26, SONALIKA-26	10023524AC	COOLANT ASSY	1	YES	(ROHS) INTERCHANGEABLE WITH 10023524AB	
2	SOLIS-26, SONALIKA-26	10052506AA	RADIATOR ASSY 24HP	1			
2	SOLIS-26, SONALIKA-26	803013085A	RADIATOR ASSY. (GARDENTRAC) 26HP	1			
2	SOLIS-24	803413093B	RADIATOR ASSY._COWL DIA 400 MM	1			
2	SONALIKA-26 FACELIFT	300097825A	RADIATOR ASSY COWL ID 400	1			

Sr.	Model	Item Code	Description	Qty	Int.	Remarks	Cut Off
3	SOLIS-26, SONALIKA-26, SOLIS-24	10023538AB	PIPE (RADIATOR TO COOLANT TANK)	1		INTERCHANGEABLE WITH 10023538AC (ROHS)	
3	SOLIS-26, SONALIKA-26, SOLIS-24	10023538AC	PIPE (RADIATOR TO COOLANT TANK)	1	YES	(ROHS) INTERCHANGEABLE WITH 10023538AB	
3	SONALIKA-26 FACELIFT	10067811AA	PIPE (COOLANT TANK TO OUTSIDE)	1			
4	SOLIS-26, SONALIKA-26	10051599AA	PIPE FOR COOLANT TANK	1		INTERCHANGEABLE WITH 10051599AB (ROHS)	
4	SOLIS-24	10023539AB	PIPE (COOLANT TANK TO OUTSIDE)	1			
4	SOLIS-26, SONALIKA-26	10051599AB	PIPE FOR COOLANT TANK	1	YES	(ROHS) INTERCHANGEABLE WITH 10051599AA	
5	SOLIS-26, SONALIKA-26, SOLIS-24	10023569AA	CLAMP DIA 12.5 MM	2		INTERCHANGEABLE WITH 10023569AB (ROHS)	
5	SOLIS-26, SONALIKA-26, SOLIS-24	10023569AB	CLAMP DIA 12.5 MM	2	YES	(ROHS) INTERCHANGEABLE WITH 10023569AA	
6	SOLIS-26, SONALIKA-26	10051050BC	FRONT MTG PLATE (RADIATOR)	1			
6	SOLIS-26, SONALIKA-26, SOLIS-24	10054089AA	FRONT MTG PLATE RADIATOR	1			
6	SONALIKA-26 FACELIFT	10054089AB	FRONT MTG PLATE RADIATOR	1			
7	SOLIS-26, SONALIKA-26	10004860AA	CLAMPING STRIP	1		INTERCHANGEABLE WITH 10004860AC (ROHS)	
7	SOLIS-26, SONALIKA-26	10004232AB	CLAMPING STRIP	1		INTERCHANGEABLE WITH 10057681AA (ROHS)	
7	SOLIS-24	10004232AC	CLAMPING STRIP	1			
7	SOLIS-26, SONALIKA-26	10004860AC	CLAMPING STRIP	1		(ROHS) INTERCHANGEABLE WITH 10004860AA	
7	SOLIS-26, SONALIKA-26	10057681AA	CLAMPING STRIP	1		(ROHS) INTERCHANGEABLE WITH 10004232AB	
8	SOLIS-26, SONALIKA-26	04030400008	SPRING WASHER B-8	4		INTERCHANGEABLE WITH 20005517AA (ROHS)	
8	SOLIS-24	20003670AC	SPRING WASHER B-8 TYPE-A IS: 3063-1972	4			
8	SOLIS-26, SONALIKA-26	20005517AA	SPRING WASHER B-8 TYPE A IS: 3067-1972	4	YES	(ROHS) INTERCHANGEABLE WITH 04030400008	
9	SOLIS-26, SONALIKA-26	20005517AA	SPRING WASHER B-8 TYPE A IS: 3067-1972	4			
9	SOLIS-24	20003355AB	HEX NUT M8X1.25 -8 SA2JS	4			

Sr.	Model	Item Code	Description	Qty	Int.	Remarks	Cut Off
10	SOLIS-26, SONALIKA-26	20003355AD	HEX NUT M8X1.25 -8 SA4JS	2		INTERCHANGEABLE WITH 200000391A (ROHS)	
10	SOLIS-26, SONALIKA-26	20005504AA	HEX NUT M8X1.25 -8 SA2JS	2			
10	SOLIS-24	20001096AA	HEX. HEAD SCREW M8 X 1.25 X 20 8-8 SA2JS	2		INTERCHANGEABLE WITH 20005565AA (ROHS)	
10	SOLIS-24	20005565AA	HEX HEAD SCREW M8X1.25X20 -8.8 SA4GS	2	YES	(ROHS) INTERCHANGEABLE WITH 20001096AA	
10	SOLIS-26, SONALIKA-26	200000391A	HEX NUT M18X1.25 -8 SA4NS	2		(ROHS) INTERCHANGEABLE WITH 20003355AD	
10	SONALIKA-26 FACELIFT	20001096AA	HEX. HEAD SCREW M8 X 1.25 X 20 8-8 SA2JS	2			
11	SOLIS-26, SONALIKA-26	20003355AB	HEX NUT M8X1.25 -8 SA2JS	2			
11	SOLIS-24	20003355AD	HEX NUT M8X1.25 -8 SA4JS	2		INTERCHANGEABLE WITH 200000391A (ROHS)	
11	SOLIS-24	200000391A	HEX NUT M18X1.25 -8 SA4NS	2		(ROHS) INTERCHANGEABLE WITH 20003355AD	

02121A-1/1

COOLANT TANK ASSY



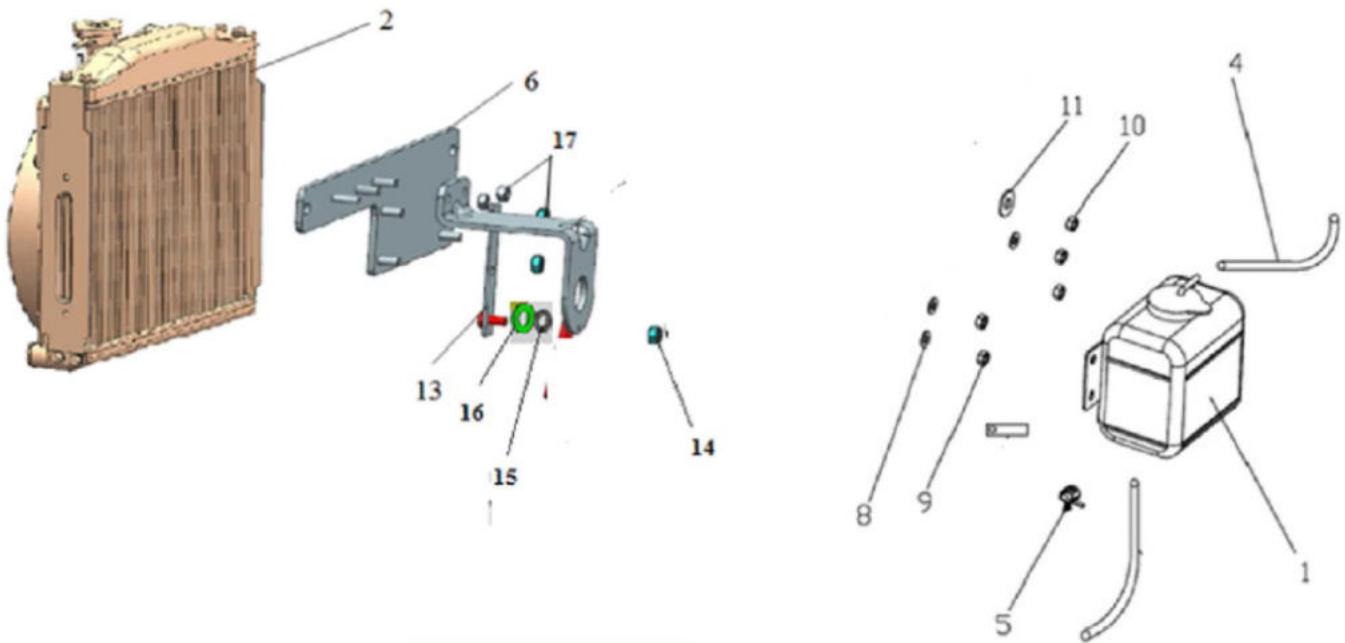
Sr.	Model	Item Code	Description	Qty	Int.	Remarks	Cut Off
1	ALL MODELS	10023524AB	COOLANT ASSY	1		INTERCHANGEABLE WITH 10023524AC (ROHS)	
1	ALL MODELS	10023524AC	COOLANT ASSY	1	YES	(ROHS) INTERCHANGEABLE WITH 10023524AB	
2	ALL MODELS	803013085C	RADIATOR ASSY. (GARDENTRAC) 26HP	1			
3	ALL MODELS	10023539AA	PIPE (COOLANT TANK TO OUTSIDE)	1		INTERCHANGEABLE WITH 10023539AB (ROHS)	
3	ALL MODELS	10067811AA	PIPE (COOLANT TANK TO OUTSIDE)	1	YES	INTERCHANGEABLE WITH 10067811AB	MEMRMKSNSM JH00480

Sr.	Model	Item Code	Description	Qty	Int.	Remarks	Cut Off
						(ROHS)	
3	ALL MODELS	10023539AB	PIPE (COOLANT TANK TO OUTSIDE)	1	YES	(ROHS) INTERCHANGE ABLE WITH 10023539AA	
3	ALL MODELS	10067811AB	PIPE (COOLANT TANK TO OUTSIDE)	1	YES	(ROHS) INTERCHANGE ABLE WITH 10067811AA	
4	ALL MODELS	10051599AA	PIPE FOR COOLANT TANK	1		INTERCHANGE ABLE WITH 10051599AB (ROHS)	
4	ALL MODELS	10051599AB	PIPE FOR COOLANT TANK	1	YES	(ROHS) INTERCHANGE ABLE WITH 10051599AA	
5	ALL MODELS	10023569AA	CLAMP DIA 12.5 MM	2		INTERCHANGE ABLE WITH 10023569AB (ROHS)	
5	ALL MODELS	10023569AB	CLAMP DIA 12.5 MM	2	YES	(ROHS) INTERCHANGE ABLE WITH 10023569AA	
6	ALL MODELS	300007996C	FRONT MTG PLATE RADIATOR	1			
7	ALL MODELS	10004232AB	CLAMPING STRIP	1		INTERCHANGE ABLE WITH 10057681AA (ROHS)	
7	ALL MODELS	10057681AA	CLAMPING STRIP	1		(ROHS) INTERCHANGE ABLE WITH 10004232AB	
8	ALL MODELS	04030400008	SPRING WASHER B-8	4		INTERCHANGE ABLE WITH 20005517AA (ROHS)	
8	ALL MODELS	20005517AA	SPRING WASHER B-8 TYPE A IS: 3067-1972	4	YES	(ROHS) INTERCHANGE ABLE WITH 04030400008	
9	ALL MODELS	20003355AB	HEX NUT M8X1.25 -8 SA2JS	4			
10	ALL MODELS	20003355AD	HEX NUT M8X1.25 -8 SA4JS	2		INTERCHANGE ABLE WITH 200000391A (ROHS)	
10	ALL MODELS	200000391A	HEX NUT M18X1.25 -8 SA4NS	2		(ROHS) INTERCHANGE ABLE WITH 20003355AD	
11	ALL MODELS	20003355AB	HEX NUT M8X1.25 -8 SA2JS	2			
12	ALL MODELS	10087000AA	MOUNTING BRACKET FOR BATTERY CUT OFF SWI	1		INTERCHANGE ABLE WITH 300028543B (ROHS)	
12	ALL MODELS	300028543B	MOUNTING BRACKET FOR BATTERY CUT OFF SWI	1		(ROHS) INTERCHANGE ABLE WITH 10087000AA	
13	ALL MODELS	300007798A	HORN MTG BKT	1			

Sr.	Model	Item Code	Description	Qty	Int.	Remarks	Cut Off
14	ALL MODELS	20003355AD	HEX NUT M8X1.25 -8 SA4JS	1		INTERCHANGEABLE WITH 200000391A (ROHS)	
14	ALL MODELS	200000391A	HEX NUT M18X1.25 -8 SA4NS	1		(ROHS) INTERCHANGEABLE WITH 20003355AD	
15	ALL MODELS	04030400008	SPRING WASHER B-8	1		INTERCHANGEABLE WITH 20005517AA (ROHS)	
15	ALL MODELS	20005517AA	SPRING WASHER B-8 TYPE A IS: 3067-1972	1	YES	(ROHS) INTERCHANGEABLE WITH 04030400008	
16	ALL MODELS	04030600008	PLAIN WASHER DIA 8.4 *DIA 17*1.6	1			
17	ALL MODELS	04041000008	HEX NYLOCK NUT M8*1.25	4		INTERCHANGEABLE WITH 20004917AB (ROHS)	
17	ALL MODELS	20004917AB	HEX NYLOC NUT M8*1.25 8	4		(ROHS) INTERCHANGEABLE WITH 04041000008	

02122A-1/1

COOLANT TANK ASSY

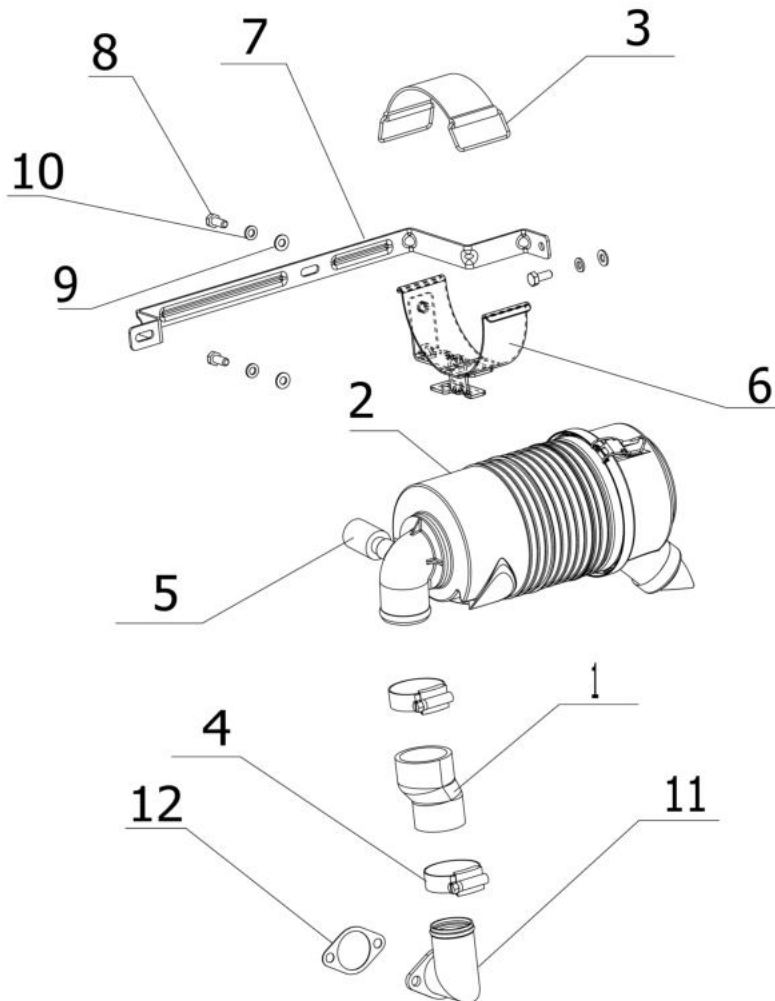


Sr.	Model	Item Code	Description	Qty	Int.	Remarks	Cut Off
1	ALL MODELS	10023524AC	COOLANT ASSY	1			
2	ALL MODELS	803413093B	RADIATOR ASSY. (GARDENTRAC) 26HP	1			
4	ALL MODELS	10051599AB	PIPE FOR COOLANT TANK	1			
5	ALL MODELS	10023569AB	CLAMP DIA 12.5 MM	2			
6	ALL MODELS	300007996C	FRONT MTG PLATE RADIATOR	1			
8	ALL MODELS	20005517AA	SPRING WASHER B-8	4			
9	ALL MODELS	20005504AA	HEX NUT M8X1.25 -8 SA4GS	4			
10	ALL MODELS	20005504AA	HEX NUT M8X1.25 -8 SA4GS	2			

Sr.	Model	Item Code	Description	Qty	Int.	Remarks	Cut Off
11	ALL MODELS	20005504AA	HEX NUT M8X1.25 -8 SA4GS	2			
13	ALL MODELS	300007798A	HORN MTG BKT	1			
14	ALL MODELS	20005504AA	HEX NUT M8X1.25 -8 SA4GS	1			
15	ALL MODELS	20005517AA	SPRING WASHER B-8	1			
16	ALL MODELS	20004935AB	PLAIN WASHER DIA 8.4 *DIA 17*1.6	1			
17	ALL MODELS	20004917AB	HEX NYLOCK NUT M8*1.25	4			

03110A-1/1

AIR CLEANER ASSY.



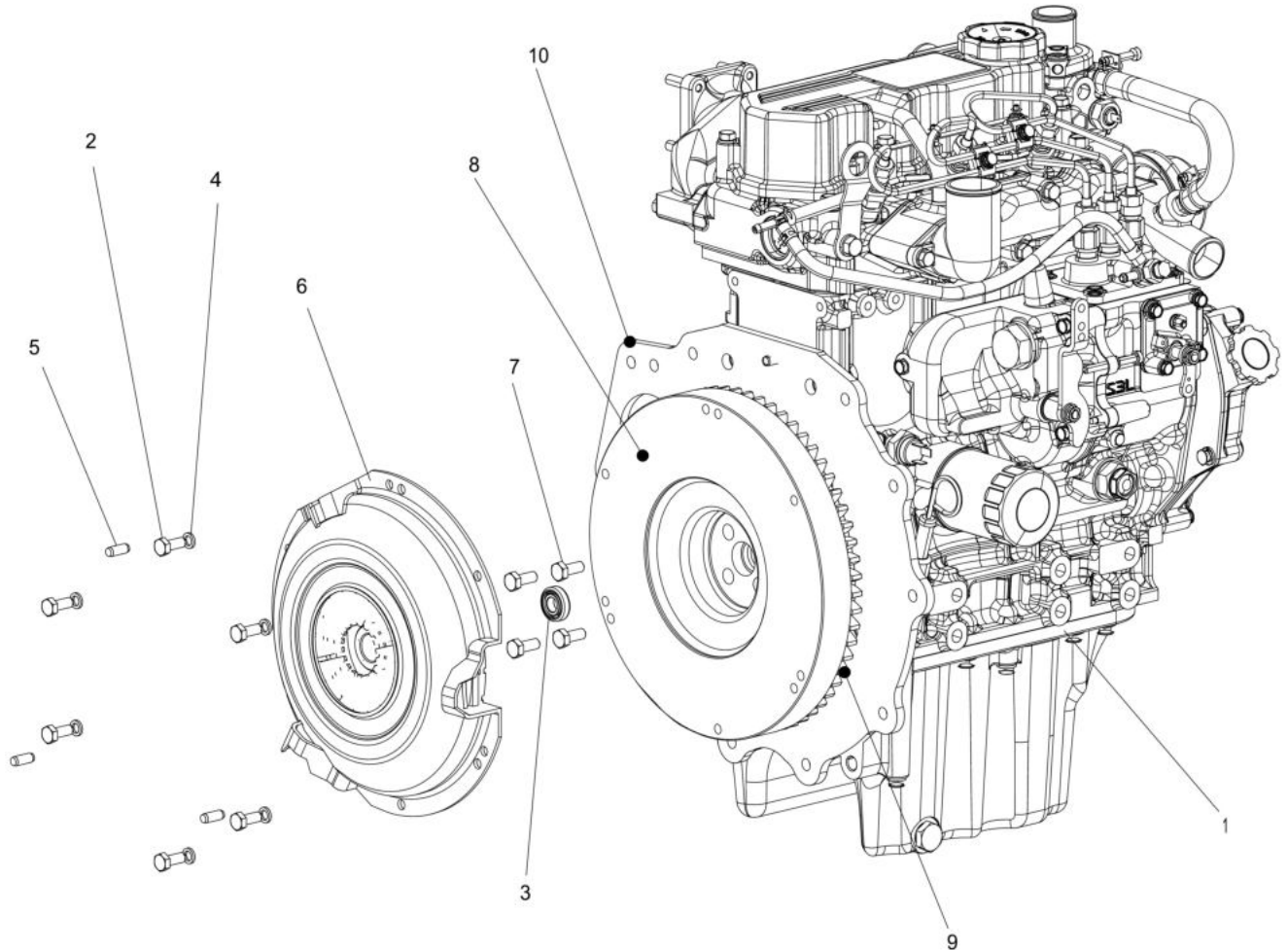
Sr.	Model	Item Code	Description	Qty	Int.	Remarks	Cut Off
1	SOLIS-26, SONALIKA-26	10053549AB	AIR CLEANER HOSE	1		INTERCHANGEABLE WITH 10053549AC (ROHS)	
1	SOLIS-24	10053549AC	AIR CLEANER HOSE	1			
1	SOLIS-26, SONALIKA-26	10053549AC	AIR CLEANER HOSE	1	YES	(ROHS) INTERCHANGEABLE WITH 10053549AB	
2	SOLIS-26, SONALIKA-26	10053787AA	AIR CLEANER	1			
2	SOLIS-26, SONALIKA-26	803412028A	AIR CLEANER ASSY. DRY TYPE (5)	1			
2	SOLIS-24	803412028C	AIR CLEANER ASSY. DRY TYPE (5)	1			

Sr.	Model	Item Code	Description	Qty	Int.	Remarks	Cut Off
2	SONALIKA-26 FACELIFT	803412028C	AIR CLEANER ASSY. DRY TYPE (5)	1			
3	SOLIS-26, SONALIKA-26	10053794AA	AIR CLEANER STRAP	1			
3	SOLIS-26, SONALIKA-26	10053794AB	AIR CLEANER STRAP	1			
3	SOLIS-26, SONALIKA-26	10053794AD	AIR CLEANER STRAP ASSY	1	YES		MEMMYEDT624 377WNT
3	SOLIS-24	10053794AC	AIR CLEANER STRAP	1			
3	SOLIS-24	10053794AD	AIR CLEANER STRAP ASSY	1	YES		MEMMYEDT624 377WNT
4	SOLIS-26, SONALIKA-26	20004049AA	HOSE WORM CLAMP DIA 52	2		INTERCHANGE ABLE WITH 20004049AB (ROHS)	
4	SOLIS-24	20004049AB	HOSE WORM CLAMP DIA 52	2			
4	SOLIS-26, SONALIKA-26	20004049AB	HOSE WORM CLAMP DIA 52	2	YES	(ROHS) INTERCHANGE ABLE WITH 20004049AA	
5	SOLIS-26, SONALIKA-26	20001508AA	CLOGGING SENSOR	1			
5	SOLIS-24	20001508AE	CLOGGING SENSOR	1			
6	SOLIS-24	10053547AE	AIR CLEANER MTG BRACKET	1			
6	SOLIS-26, SONALIKA-26	10053547AC	AIR CLEANER MTG BRACKET	1			
6	SOLIS-26, SONALIKA-26	10053547AD	AIR CLEANER MTG BRACKET	1			
6	SONALIKA-26 FACELIFT	10053547AE	AIR CLEANER MTG BRACKET	1			
7	SOLIS-26, SONALIKA-26	10053742AD	MAIN BRACKET AIR CLEANER	1			
7	SOLIS-26, SONALIKA-26	10053742AB	MAIN BRACKET AIR CLEANER	1			
7	SOLIS-24	10053742AE	MAIN BRACKET AIR CLEANER	1			
7	SONALIKA-26 FACELIFT	10053742AE	MAIN BRACKET AIR CLEANER	1			
8	SOLIS-26, SONALIKA-26	20001096AA	HEX. HEAD SCREW M8 X 1.25 X 20 8-8 SA2JS	3		INTERCHANGE ABLE WITH 20005565AA (ROHS)	
8	SOLIS-24	20001096AB	HEX. HEAD SCREW M8 X 1.25 X 20 8-8 SA4JS	3			
8	SOLIS-24 EPA	20005565AA	HEX HEAD SCREW M8X1.25X20 -8.8 SA4GS	3			
8	SOLIS-26, SONALIKA-26	20005565AA	HEX HEAD SCREW M8X1.25X20 -8.8 SA4GS	3	YES	(ROHS) INTERCHANGE ABLE WITH 20001096AA	
9	SOLIS-26, SONALIKA-26	04030600008	PLAIN WASHER DIA 8.4 *DIA 17*1.6	3			
9	SOLIS-24	20003658AB	PUNCHED WASHER A (9) IS:2016 STEEL	3			
9	SOLIS-24 EPA	20005532AA	PUNCHED WASHER A (9) IS:2016 STEEL	3			
10	SOLIS-26, SONALIKA-26	04030400008	SPRING WASHER B-8	3		INTERCHANGE ABLE WITH 20005517AA (ROHS)	

Sr.	Model	Item Code	Description	Qty	Int.	Remarks	Cut Off
10	SOLIS-24	20003670AC	SPRING WASHER B-8 TYPE-A IS: 3063-1972	3			
10	SOLIS-24 EPA	20005517AA	SPRING WASHER B-8 TYPE-A IS: 3063-1972	3			
10	SOLIS-26, SONALIKA-26	20005517AA	SPRING WASHER B-8 TYPE A IS: 3067-1972	3	YES	(ROHS) INTERCHANGE ABLE WITH 04030400008	
11	SOLIS-26, SONALIKA-26	10053564AA	SUCTION FLANGE ASSY	3			
11	SOLIS-26, SONALIKA-26, SOLIS-24	10053564AB	SUCTION FLANGE ASSY	3			
12	SOLIS-26, SONALIKA-26	10052546AA	GASKET INTAKE MANIFOLD 24HP	1		INTERCHANGE ABLE WITH 10055150AA (ROHS)	
12	SOLIS-24	10055150AA	GASKET INTAKE MANIFOLD 24HP	1			
12	SOLIS-26, SONALIKA-26	10055150AA	GASKET INTAKE MANIFOLD 24HP	1	YES	(ROHS) INTERCHANGE ABLE WITH 10052546AA	
13	SOLIS-26, SONALIKA-26	10055911AA	PRIMARY ELEMENT DRY AIR CLEANER 5 INCH(P	1		NOT SHOWN, CHILD PART OF 803412028A	

04110A-1/1

CLUTCH ASSY WITH ENGINE



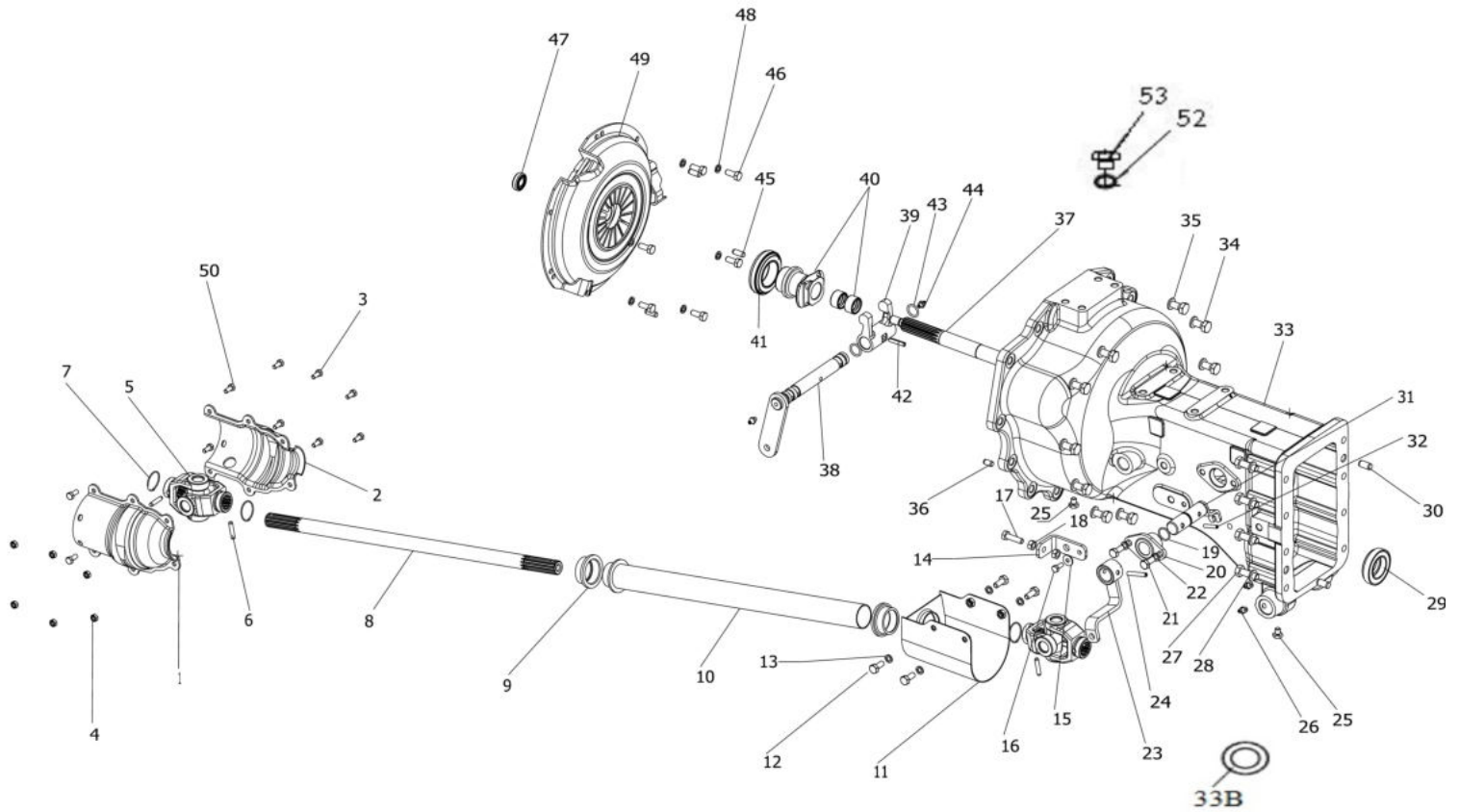
Sr.	Model	Item Code	Description	Qty	Int.	Remarks	Cut Off
1	SOLIS-26, SONALIKA-26	10052678AA	ENGINE (MISTUBISHI) S3L2-TDSS3-4202	1			
1	SOLIS-26, SONALIKA-26	10055070AA	WT-24 ENGINE ASSY TIER 4 WITH DEFICIENC	1			
1	SOLIS-24	10054287AA	WT-24 ENGINE ASSY TIER 4 WITH ELECTRONIC	1			
1	SOLIS-26 FACELIFT EUROP	300043623A	MHI ENGINE STAGE V S3L2 26HP	1	NO	FOR STAGE V ENGINE	MEMRMKNSB KH03782
2	SOLIS-26, SONALIKA-26	20001096AA	HEX. HEAD SCREW M8 X 1.25 X 20 8-8 SA2JS	6		INTERCHANGEABLE WITH 20005565AA (ROHS)	
2	SOLIS-24	20001096AA	HEX. HEAD SCREW M8 X 1.25 X 20 8-8 SA2JS	1		INTERCHANGEABLE WITH 20005565AA (ROHS)	

Sr.	Model	Item Code	Description	Qty	Int.	Remarks	Cut Off
2	SOLIS-24 EPA	20005565AA	HEX. HEAD SCREW M8 X 1.25 X 20 8-8 SA2JS	1			
2	SOLIS-26, SONALIKA-26	20005565AA	HEX HEAD SCREW M8X1.25X20 -8.8 SA4GS	6	YES	(ROHS) INTERCHANGE ABLE WITH 20001096AA	
2	SOLIS-24	20005565AA	HEX HEAD SCREW M8X1.25X20 -8.8 SA4GS	1	YES	(ROHS) INTERCHANGE ABLE WITH 20001096AA	
3	SOLIS-26, SONALIKA-26, SOLIS-24	20004297AB	BALL BEARING 6001 ZZ	6		INTERCHANGE ABLE WITH 20004297AC (ROHS)	
3	SOLIS-26, SONALIKA-26, SOLIS-24	20004297AC	BALL BEARING 6001 ZZ	6		(ROHS) INTERCHANGE ABLE WITH 20004297AB	
4	SOLIS-26, SONALIKA-26	04030400008	SPRING WASHER B-8	3		INTERCHANGE ABLE WITH 20005517AA (ROHS)	
4	SOLIS-24	20003670AC	SPRING WASHER B-8 TYPE-A IS: 3063-1972	1			
4	SOLIS-24 EPA	20005517AA	SPRING WASHER B-8 TYPE-A IS: 3063-1972	1			
4	SOLIS-26, SONALIKA-26	20005517AA	SPRING WASHER B-8 TYPE A IS: 3067-1972	3	YES	(ROHS) INTERCHANGE ABLE WITH 04030400008	
5	SOLIS-26, SONALIKA-26, SOLIS-24	10053429AA	DOWEL (7.7X20)	4			
6	SOLIS-26, SONALIKA-26, SOLIS-24	10052693AC	SINGLE CLUTCH ASSY	1			
7	SOLIS-26, SONALIKA-26, SOLIS-24	10053438AA	HEX. HEAD SCREW M12X1.25X28	1			
8	SOLIS-26, SONALIKA-26	703003234A	FLY WHEEL (26HP)	1			
8	SOLIS-26, SONALIKA-26, SOLIS-24	703003234B	FLY WHEEL (26HP)	1	YES		DMKSU518820G 26D
9	SOLIS-26, SONALIKA-26, SOLIS-24	703003108A	RING GEAR FLY WHEEL	1			
10	SOLIS-26, SONALIKA-26	703002178A	REAR PLATE_SM (26HP)	1			
10	SOLIS-26, SONALIKA-26	703002178B	REAR PLATE_SM (26HP)	1		INTERCHANGE ABLE WITH 703002178C (ROHS)	
10	SOLIS-24	703002178C	REAR PLATE_SM (26HP)	1			
10	SOLIS-26, SONALIKA-26	703002178C	REAR PLATE_SM (26HP)	1		(ROHS) INTERCHANGE ABLE WITH 703002178B	
11	SOLIS-26, SONALIKA-26, SOLIS-24	10026351AA	ENGINE OIL 15W40	4.2		IN LITRES,NOT SHOWN	
11	SOLIS-26, SONALIKA-26	10012858AA	ENGINE OIL 10W40	4.2 Ltr.			
11	SOLIS-24 EPA	10012858AA	ENGINE OIL 10W40	4.2 Ltr.			
12	SOLIS-26, SONALIKA-26	20004154AB	HEX SCREW M12X1.25X25	8		HARDWARE TO MOUNT REAR PLATE (S.NO.10) WITH ENGINE (NOT SHOWN)	

Sr.	Model	Item Code	Description	Qty	Int.	Remarks	Cut Off
12	SOLIS-24	20004154AC	HEX SCREW M12X1.25X25 SA4JS	8		HARDWARE TO MOUNT REAR PLATE (S.NO.10) WITH ENGINE (NOT SHOWN)	
12	SOLIS-26, SONALIKA-26, SOLIS-24	10053438AA	HEX. HEAD SCREW M12X1.25X28	8		HARDWARE TO MOUNT REAR PLATE (S.NO.10) WITH ENGINE	
12	SOLIS-24 EPA	20005557AA	HEX SCREW M12X1.25X25 SA4JS	8		HARDWARE TO MOUNT REAR PLATE (S.NO.10) WITH ENGINE	
13	SOLIS-26, SONALIKA-26	04030400012	SPRING WASHER B-12	8		HARDWARE TO MOUNT REAR PLATE (S.NO.10) WITH ENGINE	
13	SOLIS-24	20004993AA	SPRING WASHER B-12TYPE-A IS: 3063-1972	8		HARDWARE TO MOUNT REAR PLATE (S.NO.10) WITH ENGINE	
13	SOLIS-24 EPA	20004993AB	SPRING WASHER B-12TYPE-A IS: 3063-1972	8		HARDWARE TO MOUNT REAR PLATE (S.NO.10) WITH ENGINE	
14	SOLIS-26, SONALIKA-26, SOLIS-24 EXCEPT EPA	20004249AA	SILICON SEALANT-1080	37.5 ml		IN ML,NOT SHOWN	
15	SOLIS-26, SONALIKA-26, SOLIS-24	20004466AA	LOCTITE 587	12 ml		IN ML,NOT SHOWN, USE ON COUPLING ASSY.	
16	SOLIS-26, SONALIKA-26, SOLIS-24	042300207AA	GREASE M.P	0.2 kg		IN KG,NOT SHOWN	
17	SOLIS-26, SONALIKA-26, SOLIS-24	20004253AA	LOCTITE-518	5.68 ml		IN ML,NOT SHOWN	
17	SOLIS-26, SONALIKA-26, SOLIS-24	20005121AA	LOCTITE-5188	5.68 ml	YES	IN ML,NOT SHOWN	EMGSU508347G
6(1)	SOLIS-26, SONALIKA-26, SOLIS-24	10052691AC	DRIVEN PLATE ASSY	1		CHILD PART OF SINGLE CLUTCH ASSY. (10052693AC)	
6(2)	SOLIS-26, SONALIKA-26, SOLIS-24	10052692AA	COVER ASSY(SC)	1		CHILD PART OF SINGLE CLUTCH ASSY. (10052693AC)	

05110A-1/2

CLUTCH HOUSING & UNIVERSAL JOINT



Sr.	Model	Item Code	Description	Qty	Int.	Remarks	Cut Off
1	SOLIS-26, SONALIKA-26	10053801AB	UNIVERSAL JOINT COVER FRONT LEFT	1			
1	SOLIS-26, SONALIKA-26	10053801AC	UNIVERSAL JOINT COVER FRONT LEFT	1		INTERCHANGEABLE WITH 10053801AD (ROHS)	
1	SOLIS-24	10053801AD	UNIVERSAL JOINT COVER FRONT LEFT	1			
1	SOLIS-26, SONALIKA-26	10053801AD	UNIVERSAL JOINT COVER FRONT LEFT	1		(ROHS) INTERCHANGEABLE WITH 10053801AC	
2	SOLIS-26, SONALIKA-26	10053802AB	UNIVERSAL JOINT COVER FRONT RIGHT	1			
2	SOLIS-26, SONALIKA-26	10053802AC	UNIVERSAL JOINT COVER FRONT RIGHT	1		INTERCHANGEABLE WITH 10053802AD	

Sr.	Model	Item Code	Description	Qty	Int.	Remarks	Cut Off
						(ROHS)	
2	SOLIS-24	10053802AD	UNIVERSAL JOINT COVER FRONT RIGHT	1			
2	SOLIS-26, SONALIKA-26	10053802AD	UNIVERSAL JOINT COVER FRONT RIGHT	1		(ROHS) INTERCHANGEABLE WITH 10053802AC	
3	SOLIS-26, SONALIKA-26, SOLIS-24	04040106014	HEX. HEAD SCREW M6 X 1.00-14 8-8 SA2JS	6		INTERCHANGEABLE WITH 20005496AA (ROHS)	
3	SOLIS-24 EPA	20005496AA	HEX HEAD SCREW M6X1X14 8.8 SA4GS	6			
3	SOLIS-26, SONALIKA-26, SOLIS-24	20005496AA	HEX HEAD SCREW M6X1X14 8.8 SA4GS	6		(ROHS) INTERCHANGEABLE WITH 04040106014	
4	SOLIS-26, SONALIKA-26	20003354AB	HEX NUT M6 -8 SA2JS	6			
5	SOLIS-26, SONALIKA-26	10051224AD	UNIVERSAL JOINT ASSY.	2		INTERCHANGEABLE WITH 10051224AF (ROHS)	
5	SOLIS-24	10051224AE	UNIVERSAL JOINT ASSY.	2			
5	SOLIS-24 EPA	10051224AF	UNIVERSAL JOINT ASSY.	2			
5	SOLIS-26, SONALIKA-26	10051224AF	UNIVERSAL JOINT ASSY.	2	YES	(ROHS) INTERCHANGEABLE WITH 10051224AD	
6	SOLIS-26, SONALIKA-26, SOLIS-24	10052452AA	DOWEL PIN (6X28) -UNIVERSAL JOINT&PTO FR	3			
7	SOLIS-26, SONALIKA-26	20004355AB	SNAP RING FOR SHAFT DIA 32 (DIN 7993)	3		INTERCHANGEABLE WITH 20004355AD (ROHS)	
7	SOLIS-24	20004355AD	SNAP RING FOR SHAFT DIA 32 (DIN 7993)	3			
7	SOLIS-26, SONALIKA-26	20004355AD	SNAP RING FOR SHAFT DIA 32 (DIN 7993)	3	YES	(ROHS) INTERCHANGEABLE WITH 20004355AB	
7	SOLIS-26, SONALIKA-26	20004355AD	SNAP RING FOR SHAFT DIA 32 (DIN 7993)	3	YES WITH 2000 4355 AB		FOR EU MODELS- MEMRMKSNSJK H07112 FOR NON EU MODELS - JMKSS868934G 26
8	SOLIS-26, SONALIKA-26, SOLIS-24	10052882AA	FRONT PTO SHAFT	1			
9	SOLIS-26, SONALIKA-26	10050688AB	RUBBER SEAL	2		INTERCHANGEABLE WITH 10050688AC (ROHS)	
9	SOLIS-24	10050688AC	RUBBER SEAL	2			
9	SOLIS-26, SONALIKA-26	10050688AC	RUBBER SEAL	2	YES	(ROHS) INTERCHANGEABLE WITH 10050688AB	

Sr.	Model	Item Code	Description	Qty	Int.	Remarks	Cut Off
10	SOLIS-26, SONALIKA-26, SOLIS-24	10052580AB	PTO GUARD ASSY	1			
11	SOLIS-26, SONALIKA-26, SOLIS-24	10052904BA	UNIVERSAL JOINT COVER (REAR)	1			
12	SOLIS-26, SONALIKA-26	20001089AA	HEX. HEAD SCREW M8 X 1.25-25 8-8 SA2JS	4			
12	SOLIS-24	20001089AB	HEX. HEAD SCREW M8 X 1.25-25 8-8 SA4JS	4			
12	SOLIS-24 EPA	20005564AA	HEX HEAD SCREW M8X1.25-25 -8.8 SA4GS	4			
13	SOLIS-26, SONALIKA-26	04030400008	SPRING WASHER B-8	4		INTERCHANGEABLE WITH 20005517AA (ROHS)	
13	SOLIS-24	20003670AC	SPRING WASHER B-8 TYPE-A IS: 3063-1972	4			
13	SOLIS-24 EPA	20005517AA	SPRING WASHER B-8 TYPE-A IS: 3063-1972	4			
13	SOLIS-26, SONALIKA-26	20005517AA	SPRING WASHER B-8 TYPE A IS: 3067-1972	4	YES	(ROHS) INTERCHANGEABLE WITH 04030400008	
14	SOLIS-26, SONALIKA-26	10052908AA	STOPPER FOR C.A. SHAFT	1			
14	SOLIS-24	10052908AB	STOPPER FOR C.A. SHAFT	1			
14	SONALIKA-26 FACELIFT	10052908AB	STOPPER FOR C.A. SHAFT	1			
15	SOLIS-26, SONALIKA-26	04030600006	PLAIN WASHER DIA 6.4 *DIA 18 *1.5	1			
15	SOLIS-24	20003389AB	PLAIN WASHER A 6.4 IS:5370 STEEL	1			
15	SOLIS-24 EPA	20005765AA	PLAIN WASHER A 6.4 IS:5370 STEEL	1			
16	SOLIS-26, SONALIKA-26	04040106016	HEX SCREW M6*16	1			
16	SOLIS-24	20005572AA	HEX SCREW M8X16	1			
17	SOLIS-26, SONALIKA-26	20003285AB	HEX SCREW M8X1.25X30 8-8 SA2JS	1			
17	SOLIS-24	20003285AC	HEX SCREW M8X1.25X30 8-8 SA4JS	1			
17	SOLIS-26, SONALIKA-26	20004204AA	HEX SCREW M8X45	1	NO	INTERCHANGEABLE WITH 200000482A (ROHS)	CMKSU530728G26D
17	SOLIS-24 EPA	20005563AA	HEX SCREW M8X1.25X30 -8.8 SA4GS	1			
17	SOLIS-26, SONALIKA-26	200000482A	HEX SCREW M8X45 SA4GS	1		(ROHS) INTERCHANGEABLE WITH 20004204AA	
18	SOLIS-26, SONALIKA-26	20003355AB	HEX NUT M8X1.25 -8 SA2JS	2			
18	SOLIS-24	20003355AD	HEX NUT M8X1.25 -8 SA4JS	2		INTERCHANGEABLE WITH 200000391A (ROHS)	
18	SOLIS-24 EPA	20005504AA	HEX NUT M8X1.25 -8 SA4GS	2			
18	SOLIS-24	200000391A	HEX NUT M18X1.25 -8 SA4NS	2		(ROHS) INTERCHANGEABLE WITH 20003355AD	
19	SOLIS-26, SONALIKA-26	20004142AB	O-RING Ø18 X Ø2.0	1			

Sr.	Model	Item Code	Description	Qty	Int.	Remarks	Cut Off
19	SOLIS-24	20004142AC	O-RING Ø18 X Ø2.0	2			
19	SONALIKA-26 FACELIFT	20004142AD	O-RING Ø18 X Ø2.0	1			
20	SOLIS-26, SONALIKA-26, SOLIS-24	10050809AB	BRACKET	1			
21	SOLIS-26, SONALIKA-26	20001096AA	HEX. HEAD SCREW M8 X 1.25 X 20 8-8 SA2JS	2		INTERCHANGE ABLE WITH 20005565AA (ROHS)	
21	SOLIS-24	20001096AB	HEX. HEAD SCREW M8 X 1.25 X 20 8-8 SA4JS	2			
21	SOLIS-24 EPA	20005565AA	HEX HEAD SCREW M8X1.25X20 -8.8 SA4GS	2			
21	SOLIS-26, SONALIKA-26	20005565AA	HEX HEAD SCREW M8X1.25X20 -8.8 SA4GS	2	YES	(ROHS) INTERCHANGE ABLE WITH 20001096AA	
22	SOLIS-24	20003670AC	SPRING WASHER B-8 TYPE-A IS: 3063-1972	2			
22	SOLIS-26, SONALIKA-26	04030400008	SPRING WASHER B-8	2		INTERCHANGE ABLE WITH 20005517AA (ROHS)	
22	SOLIS-24 EPA	20005517AA	SPRING WASHER B-8 TYPE-A IS: 3063-1972	2			
22	SOLIS-26, SONALIKA-26	20005517AA	SPRING WASHER B-8 TYPE A IS: 3067-1972	2	YES	(ROHS) INTERCHANGE ABLE WITH 04030400008	
23	SOLIS-26, SONALIKA-26	10053406AA	LEVER LUG ASSY	1			
23	SOLIS-26, SONALIKA-26, SOLIS-24	10053406AB	LEVER LUG ASSY	1			
24	SOLIS-26, SONALIKA-26, SOLIS-24	20004296AA	COTTER SLEEVE Ø6*36(DIN:7346) LIGHT	1			
25	SOLIS-26, SONALIKA-26	10052418AA	LOCKING SCREW M8X1X10	2		INTERCHANGE ABLE WITH 20005638AA (ROHS)	
25	SOLIS-24	10052418AB	LOCKING SCREW M8X1X10	2			
25	SOLIS-24 EPA	20005638AA	LOCKING SCREW M8X1X10	2			
25	SOLIS-26, SONALIKA-26	20005638AA	HEX HEAD SCREW M8X1X10	2		(ROHS) INTERCHANGE ABLE WITH 10052418AA	
26	SOLIS-26, SONALIKA-26, SOLIS-24	04043200008	GREASE NIPPLE WITH CAP M8*1	2			
26	SOLIS-24 EPA	20003460AC	CONICAL HEAD GRESE NIPPLE B M8X1 IS:4009	2			
27	SOLIS-26, SONALIKA-26	20002016AB	HEX. HEAD SCREW M10 X 1.5 X 30 8-8 SA2JS	8			
27	SOLIS-24	20002016AC	HEX. HEAD SCREW M10 X 1.5 X 30 8-8 SA4JS	8			
27	SOLIS-24 EPA	20005562AA	HEX HEAD SCREW M10X1.5X30 -8.8 SA4GS	8			
28	SOLIS-24	20003671AC	SPRING WASHER B-10 TYPE-A IS: 3063-1972	8		INTERCHANGE ABLE WITH 20005518AA (ROHS)	
28	SOLIS-26, SONALIKA-26	04030400010	SPRING WASHER B-10	8			
28	SOLIS-24 EPA	20005518AA	SPRING WASHER B-10 TYPE A IS: 3067-1972	8			

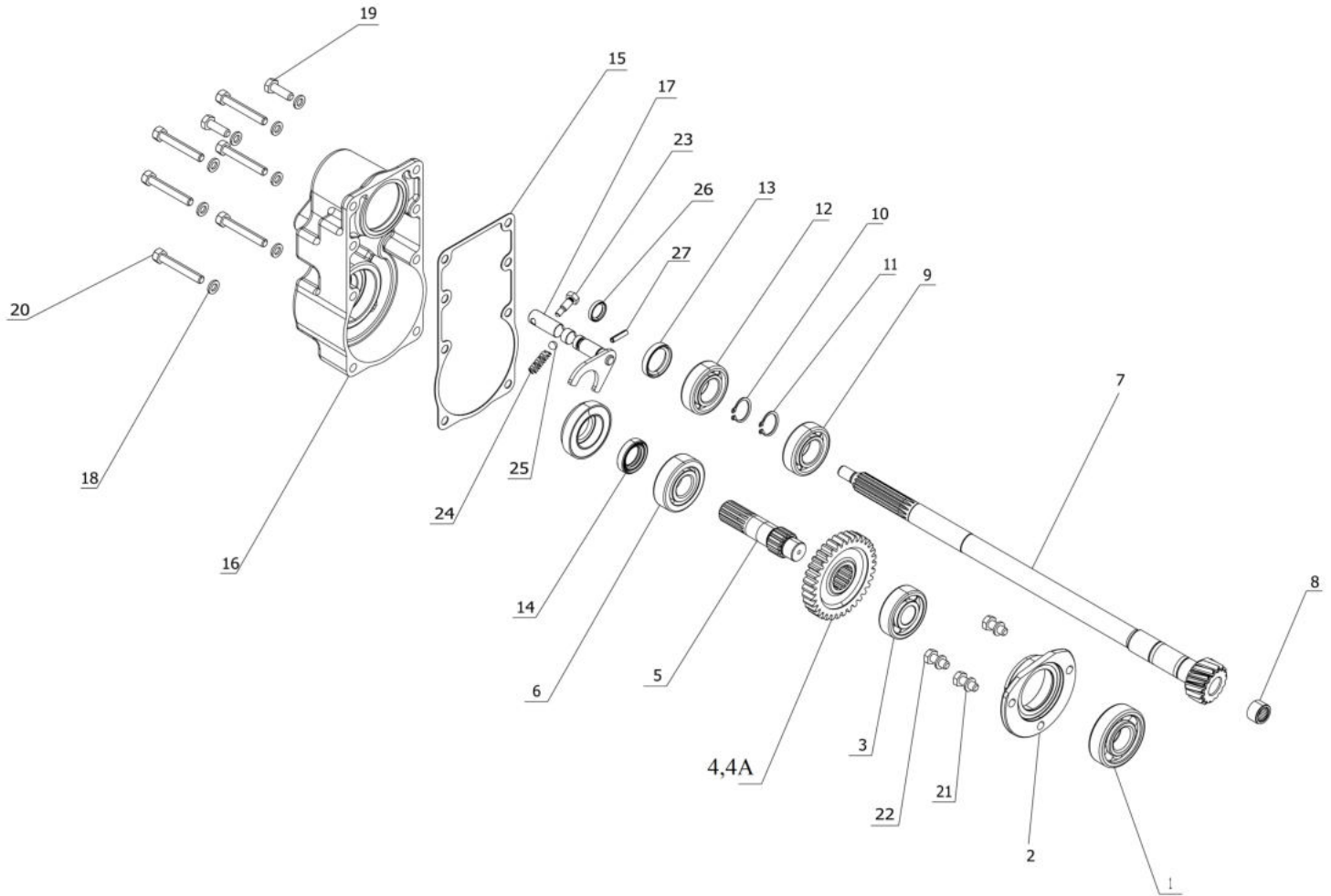
Sr.	Model	Item Code	Description	Qty	Int.	Remarks	Cut Off
28	SOLIS-24	20005518AA	SPRING WASHER B-10 TYPE A IS: 3067-1972	8	YES	(ROHS) INTERCHANGE ABLE WITH 20003671AC	
29	SOLIS-26, SONALIKA-26	10051888AA	RUBBER BOOT FOR CLUTCH HSG.	1		INTERCHANGE ABLE WITH 10051888AB (ROHS)	
29	SOLIS-24	10051888AB	RUBBER BOOT FOR CLUTCH HSG.	1			
29	SOLIS-26, SONALIKA-26	10051888AB	RUBBER BOOT FOR CLUTCH HSG.	1		(ROHS) INTERCHANGE ABLE WITH 10051888AA	
30	SOLIS-26, SONALIKA-26, SOLIS-24	10051264AB	DOWEL PIN (10X20)	2			
31	SOLIS-26, SONALIKA-26	10053407AA	ACTUATING LUG ASSY	1			
31	SOLIS-26, SONALIKA-26	10053407AB	ACTUATING LUG ASSY	1		INTERCHANGE ABLE WITH 10053407AD (ROHS)	
31	SOLIS-24	10053407AC	ACTUATING LUG ASSY	1			
31	SOLIS-24 EPA	10053407AD	ACTUATING LUG ASSY	1			
31	SOLIS-26, SONALIKA-26	10053407AD	ACTUATING LUG ASSY	1		(ROHS) INTERCHANGE ABLE WITH 10053407AB	
32	SOLIS-26, SONALIKA-26, SOLIS-24	20004313AA	COTTER SLEEVE Ø5*26(DIN:7346) LIGHT	1			
33	SOLIS-26, SONALIKA-26	10053368AB	CLUTCH HOUSING FINISH	1			
33	SOLIS-26, SONALIKA-26, SOLIS-24	10053368AE	CLUTCH HOUSING FINISH	1	YES		DMKSU518820G 26D
33	SOLIS-26,SONALIKA-26	10055983AA	CLUTCH HOUSING ASSY.EEC	1	YES		MEMBMKST610 775G26
33A	SOLIS-26,SONALIKA-26	10053368BA	CLUTCH HOUSING FINISH	1	NO	PART MODIFIED FROM 10053368AE	MEMBMKST610 775G26
33B	SOLIS-26,SONALIKA-26	10055984AA	BUSH	2		BUSH ADDED IN CLUTCH HOUSING 10053368BA FROM	MEMBMKST610 775G26
33	SOLIS-26,SONALIKA-26	10055983AC	CLUTCH HOUSING ASSY. EEC	1	YES		FOR NON EU MODELS- MEMRMKSNSM KH04331 FOR EU MODELS- MMKSS827488G 26
33	SOLIS-24 EPA	10055983AA	CLUTCH HOUSING FINISH	1			
34	SOLIS-26, SONALIKA-26	20004078AB	HEX SCREW M10X1.25 -8.8 SA3NS	11			
34	SOLIS-26, SONALIKA-26	20004582AA	HEX HEAD SCREW M10X1.25X30 8.8 SA2JS	11		INTERCHANGE ABLE WITH 20005555AA (ROHS)	
34	SOLIS-24	20004582AB	HEX HEAD SCREW M10X1.25X30 8.8 SA4JS	11			

Sr.	Model	Item Code	Description	Qty	Int.	Remarks	Cut Off
34	SOLIS-24 EPA	20005555AA	HEX HEAD SCREW M10X1.25X30 -8.8 SA4GS	11			
34	SOLIS-26, SONALIKA-26	20005555AA	HEX HEAD SCREW M10X1.25X30 -8.8 SA4GS	11		(ROHS) INTERCHANGE ABLE WITH 20004582AA	
35	SOLIS-26, SONALIKA-26	04030400010	SPRING WASHER B-10	11			
35	SOLIS-24	20003671AC	SPRING WASHER B-10 TYPE-A IS: 3063-1972	11		INTERCHANGE ABLE WITH 20005518AA (ROHS)	
35	SOLIS-24 EPA	20005518AA	SPRING WASHER B-10 TYPE A IS: 3067-1972	11			
35	SOLIS-24	20005518AA	SPRING WASHER B-10 TYPE A IS: 3067-1972	11	YES	(ROHS) INTERCHANGE ABLE WITH 20003671AC	
36	SOLIS-26, SONALIKA-26, SOLIS-24	10052662AA	DOWEL (8X15)	1			
37	SOLIS-26, SONALIKA-26, SOLIS-24	10052911BB	INPUT SHAFT Z-15	1			
37	SOLIS-26,SONALIKA-26 WITH ADDC MODELS,	10056631AA	INPUT SHAFT Z-16, L-504 (FINISH)	1	NO		GMKSF557697G 26D
37	SOLIS-26,SONALIKA-26	10056631AA	INPUT SHAFT Z-16, L-504 (FINISH)	1	NO	CHANGE IN PTO GEAR RATIO	MEMCMKSF600 385G26
37	SOLIS-24 EPA	10056631AA	INPUT SHAFT Z-16, L-504 (FINISH)	1			
37	SOLIS-26 FACELIFT EUROP	300069229A	INPUT SHAFT Z-17, L-504 (FINISH)	1	NO	FOR STAGE V ENGINE	MEMRMKSNSB KH03782
38	SOLIS-26, SONALIKA-26, SOLIS-24	10052723AA	CA SHAFT ASSY (GT-24)	1			
39	SOLIS-26, SONALIKA-26	10050721AD	C.A.FORK	1			
39	SOLIS-26, SONALIKA-26, SOLIS-24	10050721AE	C.A.FORK	1	YES		DMKSU518820G 26D
40	SOLIS-26, SONALIKA-26, SOLIS-24	10051245BA	INNER BUSH ASSY	1			
41	SOLIS-26, SONALIKA-26	20004566AA	CLUTCH RELEASE BEARING TG 1956/1 GT4WD	1		INTERCHANGE ABLE WITH 20004566AB (ROHS)	
41	SOLIS-24	20004566AB	CLUTCH RELEASE BEARING TG 1956/1 GT4WD	1			
41	SOLIS-26, SONALIKA-26	20004566AB	CLUTCH RELEASE BEARING TG 1956/1 GT4WD	1	YES	(ROHS) INTERCHANGE ABLE WITH 20004566AA	
42	SOLIS-26, SONALIKA-26, SOLIS-24	20004150AA	SPRING COTTER SLEEVE(DIA 6X28)	1			
43	SOLIS-26, SONALIKA-26	20004144AA	O-RING Ø15.6 X Ø2.3	2		INTERCHANGE ABLE WITH 20004144AC (ROHS)	
43	SOLIS-24	20004144AB	O-RING Ø15.6 X Ø2.3	2			
43	SOLIS-26, SONALIKA-26	20004144AC	O-RING Ø15.6 X Ø2.3	2		(ROHS) INTERCHANGE ABLE WITH 20004144AA	
44	SOLIS-26, SONALIKA-26, SOLIS-24	20004029AA	GREASE NIPPLE M6X1	2			
45	SOLIS-26, SONALIKA-26, SOLIS-24	10053429AA	DOWEL (7.7X20)	3			

Sr.	Model	Item Code	Description	Qty	Int.	Remarks	Cut Off
46	SOLIS-26, SONALIKA-26	20001096AA	HEX. HEAD SCREW M8 X 1.25 X 20 8-8 SA2JS	6		INTERCHANGE ABLE WITH 20005565AA (ROHS)	
46	SOLIS-24	20001096AB	HEX. HEAD SCREW M8 X 1.25 X 20 8-8 SA4JS	6			
46	SOLIS-24 EPA	20005565AA	HEX HEAD SCREW M8X1.25X20 -8.8 SA4GS	6			
46	SOLIS-26, SONALIKA-26	20005565AA	HEX HEAD SCREW M8X1.25X20 -8.8 SA4GS	6	YES	(ROHS) INTERCHANGE ABLE WITH 20001096AA	
47	SOLIS-26, SONALIKA-26	20004297AB	BALL BEARING 6001 ZZ	1		INTERCHANGE ABLE WITH 20004297AC (ROHS)	
47	SOLIS-24	20004297AC	BALL BEARING 6001 ZZ	1			
47	SOLIS-26, SONALIKA-26	20004297AC	BALL BEARING 6001 ZZ	1		(ROHS) INTERCHANGE ABLE WITH 20004297AB	
48	SOLIS-26, SONALIKA-26	04030400008	SPRING WASHER B-8	6		INTERCHANGE ABLE WITH 20005517AA (ROHS)	
48	SOLIS-24	20003670AC	SPRING WASHER B-8 TYPE-A IS: 3063-1972	6			
48	SOLIS-24 EPA	20005517AA	SPRING WASHER B-8 TYPE-A IS: 3063-1972	6			
48	SOLIS-26, SONALIKA-26	20005517AA	SPRING WASHER B-8 TYPE A IS: 3067-1972	6	YES	(ROHS) INTERCHANGE ABLE WITH 04030400008	
49	SOLIS-26, SONALIKA-26, SOLIS-24	10052693AC	SINGLE CLUTCH ASSY	1			
50	SOLIS-26, SONALIKA-26, SOLIS-24	20000104AA	HEX SCREW M6*10	4		INTERCHANGE ABLE WITH 20005573AA (ROHS)	
50	SOLIS-24 EPA	20005573AA	HEX SCREW M6*10	4			
50	SOLIS-26, SONALIKA-26, SOLIS-24	20005573AA	HEX SCREW M6X10	4	YES	(ROHS) INTERCHANGE ABLE WITH 20000104AA	
51	SOLIS-26, SONALIKA-26, SOLIS-24	20004244AA	ANABOND-666	20		IN GMS, NOT SHOWN	
52	SOLIS-26, SONALIKA-26, SOLIS-24	04030216020	SEALING WASHER DIA 16.2* DIA 20 * 1.5	1		SEALING WASHER INTRODUCE IN CLUTCH HOUSING 10053368AE FROM	DMKSU518820G 26D
53	SOLIS-26, SONALIKA-26, SOLIS-24	10000257AB	SEALING PLUG M16*1.5	1		SEALING PLUG INTRODUCE IN CLUTCH HOUSING 10053368AE FROM	DMKSU518820G 26D

05120A-1/1

INPUT SHAFT & 4WD SHAFT ASSY. WITH FRONT COVER HSG.



Sr.	Model	Item Code	Description	Qty	Int.	Remarks	Cut Off
1	SOLIS-26, SONALIKA-26	20004368AA	BALL BEARING LS10	1		INTERCHANGEABLE WITH 20004368AC (ROHS)	
1	SOLIS-26, SONALIKA-26, SOLIS-24	20004368AC	BALL BEARING LS10	1	YES		AMGSF549244G
1	SOLIS-26, SONALIKA-26	20004368AC	BALL BEARING LS10	1		(ROHS) INTERCHANGEABLE WITH 20004368AA	
2	SOLIS-26, SONALIKA-26	10050685AD	BEARING HOUSING	1			
2	SOLIS-24	10050685AE	BEARING HOUSING	1			
2	SONALIKA-26 FACELIFT	10050685AE	BEARING HOUSING	1			

Sr.	Model	Item Code	Description	Qty	Int.	Remarks	Cut Off
3	SOLIS-26, SONALIKA-26	20003477AA	BEARING 6304	1		INTERCHANGEABLE WITH 20003477AB (ROHS)	
3	SOLIS-24	20003477AB	BEARING 6304	1			
3	SOLIS-26, SONALIKA-26	20003477AB	BEARING 6304	1	YES	(ROHS) INTERCHANGEABLE WITH 20003477AA	
4	SOLIS-26, SONALIKA-26	10050684AC	FIXED GEAR Z-34 FOR 4WD	1			
4	SOLIS-24	10054034AB	FIXED GEAR FOR 4WD Z-33	1			
4	SOLIS-24 EPA	10050684AC	FIXED GEAR FOR 4WD Z-33	1			
4A	SOLIS-26, SONALIKA-26	10056466AA	FIXED GEAR FOR 4WD (FINISH)	1	YES AS A SET	10050724AB, 10050684AC BOTH INTERCHANGE AS A SET WITH 10054115AA, 10056466AA FOR BOM 2011A5455JDAJ UD, 2011A5543JDAJ UD, 2011A5549JDAJ UD	MEMRMKSNCS JH03419
5	SOLIS-26, SONALIKA-26	10050683AC	SHAFT FOR 4WD	1			
5	SOLIS-26, SONALIKA-26, SOLIS-24	10050683AD	SHAFT FOR 4WD	1			
6	SOLIS-24	20004122AB	BALL BEARING 63/22	1			
6	SOLIS-26, SONALIKA-26	20004122AA	BALL BEARING 63/22	1		INTERCHANGEABLE WITH 20004122AB (ROHS)	
6	SOLIS-26, SONALIKA-26	20004122AB	BALL BEARING 63/22	1	YES	(ROHS) INTERCHANGEABLE WITH 20004122AA	
7	SOLIS-26, SONALIKA-26, SOLIS-24	10052911BB	INPUT SHAFT Z-15	1			
7	SOLIS-26,SONALIKA-26 WITH ADDC MODELS	10056631AA	INPUT SHAFT Z-16, L-504 (FINISH)	1	NO		GMKSF557697G 26D
7	SOLIS-26,SONALIKA-26	10056631AA	INPUT SHAFT Z-16, L-504 (FINISH)	1	NO	CHANGE IN PTO GEAR RATIO	MEMCMKSF600 385G26
7	SOLIS-24 EPA	10056631AA	INPUT SHAFT Z-16, L-504 (FINISH)	1			
7	SOLIS-26 FACELIFT EUROP	300069229A	INPUT SHAFT Z-17, L-504 (FINISH)	1	NO	FOR STAGE V ENGINE	MEMRMKSNCS KH03782
8	SOLIS-26, SONALIKA-26	04001216021	NEEDLE BEARING JL - 108	1		INTERCHANGEABLE WITH 20005052AA (ROHS)	
8	SOLIS-24 EPA	20005052AA	NEEDLE BEARING JL - 108	1			
8	SOLIS-26, SONALIKA-26	20005052AA	NEEDLE BEARING JL - 108	1	YES	(ROHS) INTERCHANGEABLE WITH 04001216021	

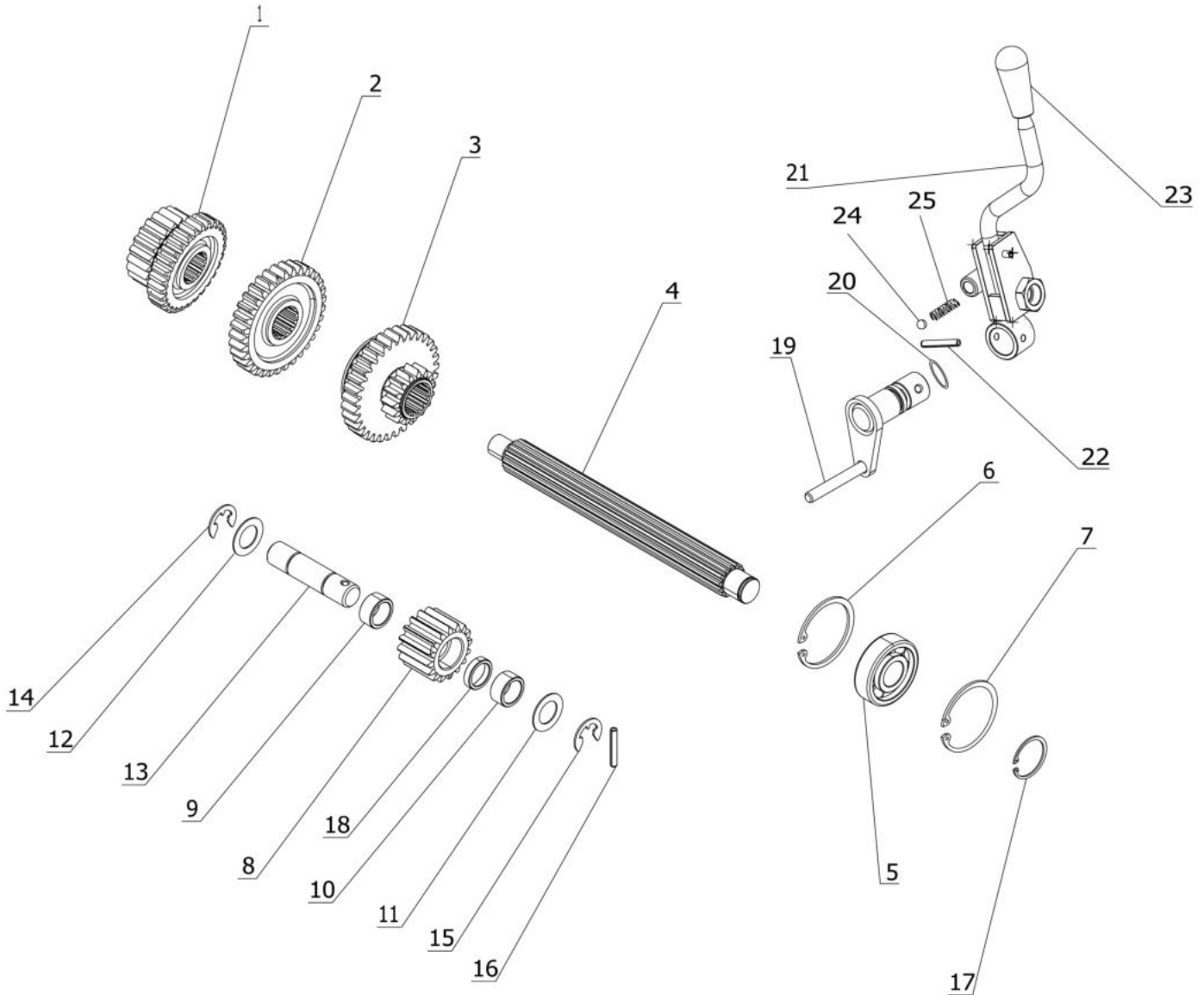
Sr.	Model	Item Code	Description	Qty	Int.	Remarks	Cut Off
9	SOLIS-26, SONALIKA-26	20004346AA	BALL BEARING 6205NR (WITH SNAP RING)	1		INTERCHANGEABLE WITH 20004346AB (ROHS)	
9	SOLIS-24	20004346AB	BALL BEARING 6205NR (WITH SNAP RING)	1			
9	SOLIS-26, SONALIKA-26	20004346AB	BALL BEARING 6205NR (WITH SNAP RING)	1	YES	(ROHS) INTERCHANGEABLE WITH 20004346AA	
10	SOLIS-26, SONALIKA-26, SOLIS-24	20004134AA	EXTERNAL CIRCLIP A - 25	1			
11	SOLIS-26, SONALIKA-26, SOLIS-24	20004134AA	EXTERNAL CIRCLIP A - 25	1			
12	SOLIS-26, SONALIKA-26, SOLIS-24	20004119AB	BALL BEARING (6205)	1			
12	SOLIS-26, SONALIKA-26	20004119AA	BALL BEARING (6205)	1		INTERCHANGEABLE WITH 20004119AB (ROHS)	
12	SOLIS-26, SONALIKA-26	20004119AB	BALL BEARING (6205)	1	YES	(ROHS) INTERCHANGEABLE WITH 20004119AA	
13	SOLIS-26, SONALIKA-26	04070225035	OIL SEAL 35*25*7	1		INTERCHANGEABLE WITH 20005056AA (ROHS)	
13	SOLIS-24 EPA	20005056AA	OIL SEAL 35*25*7	1			
13	SOLIS-26, SONALIKA-26	20005056AA	OIL SEAL 35*25*7	1	YES	(ROHS) INTERCHANGEABLE WITH 04070225035	
14	SOLIS-26, SONALIKA-26	20004156AA	OIL SEAL 4D035022	1		INTERCHANGEABLE WITH 20004156AB (ROHS)	
14	SOLIS-24	20004156AB	OIL SEAL 4D035022	1			
14	SOLIS-26, SONALIKA-26	20004156AB	OIL SEAL 4D035022	1	YES	(ROHS) INTERCHANGEABLE WITH 20004156AA	
15	SOLIS-26, SONALIKA-26	10051200AA	GASKET FOR BEARING HOUSING FRONT	1		INTERCHANGEABLE WITH 10054280AA (ROHS)	
15	SOLIS-24	10054280AA	GASKET (BEARING HSG FRONT)	1			
15	SOLIS-26, SONALIKA-26	10054280AA	ASKET (BEARING HSG FRONT)	1	YES	(ROHS) INTERCHANGEABLE WITH 10051200AA	
16	SOLIS-26, SONALIKA-26	10050746AF	BEARING HOUSING FRONT	1			
16	SOLIS-26, SONALIKA-26	10050746AG	BEARING HOUSING FRONT	1	YES		DMGSU519912G
16	SOLIS-24	10050746AH	BEARING HOUSING FRONT	1			
16	SOLIS-26,SONALIKA-26	10050746AH	BEARING HOUSING FRONT	1			
16	SOLIS-26,SONALIKA-26	10050746AJ	BEARING HOUSING FRONT	1	YES		FOR NON EU MODELS-MEMRMKSNM

Sr.	Model	Item Code	Description	Qty	Int.	Remarks	Cut Off
							KH04331 FOR EU MODELS- MMKSS827488G 26
17	SOLIS-26, SONALIKA-26	10050812AJ	FORK ASSY 4WD	1			
17	SOLIS-26, SONALIKA-26, SOLIS-24	10050812AK	FORK ASSY 4WD	1			
18	SOLIS-26, SONALIKA-26	04030400008	SPRING WASHER B-8	8		INTERCHANGE ABLE WITH 20005517AA (ROHS)	
18	SOLIS-24	20003670AC	SPRING WASHER B-8 TYPE-A IS: 3063-1972	8			
18	SOLIS-24 EPA	20005517AA	SPRING WASHER B-8 TYPE-A IS: 3063-1972	8			
18	SOLIS-26, SONALIKA-26	20005517AA	SPRING WASHER B-8 TYPE A IS: 3067-1972	8	YES	(ROHS) INTERCHANGE ABLE WITH 04030400008	
19	SOLIS-26, SONALIKA-26	20001089AA	HEX. HEAD SCREW M8 X 1.25-25 8-8 SA2JS	2			
19	SOLIS-24	20001089AB	HEX. HEAD SCREW M8 X 1.25-25 8-8 SA4JS	2			
19	SOLIS-24 EPA	20005564AA	HEX HEAD SCREW M8X1.25-25 -8.8 SA4GS	2			
20	SOLIS-26, SONALIKA-26, SOLIS-24	20004136AA	HEX HEAD BOLT M8X1.25X55	6		INTERCHANGE ABLE WITH 20005600AA (ROHS)	
20	SOLIS-26, SONALIKA-26, SOLIS-24	20005600AA	HEX HEAD BOLT M8X55_8.8 SA4GS	6		(ROHS) INTERCHANGE ABLE WITH 20004136AA	
21	SOLIS-26, SONALIKA-26	04030400008	SPRING WASHER B-8	3		INTERCHANGE ABLE WITH 20005517AA (ROHS)	
21	SOLIS-24	20003670AC	SPRING WASHER B-8 TYPE-A IS: 3063-1972	3			
21	SOLIS-24 EPA	20005517AA	SPRING WASHER B-8 TYPE-A IS: 3063-1972	3			
21	SOLIS-26, SONALIKA-26	20005517AA	SPRING WASHER B-8 TYPE A IS: 3067-1972	3	YES	(ROHS) INTERCHANGE ABLE WITH 04030400008	
22	SOLIS-26, SONALIKA-26	20001096AA	HEX. HEAD SCREW M8 X 1.25 X 20 8-8 SA2JS	3		INTERCHANGE ABLE WITH 20005565AA (ROHS)	
22	SOLIS-24	20001096AB	HEX. HEAD SCREW M8 X 1.25 X 20 8-8 SA4JS	3			
22	SOLIS-24 EPA	20005565AA	HEX HEAD SCREW M8X1.25X20 -8.8 SA4GS	3			
22	SOLIS-26, SONALIKA-26	20005565AA	HEX HEAD SCREW M8X1.25X20 -8.8 SA4GS	3	YES	(ROHS) INTERCHANGE ABLE WITH 20001096AA	
23	SOLIS-26, SONALIKA-26, SOLIS-24	10052380AB	SHIFTER PIN FOR 4WD GEAR	1			
24	SOLIS-26, SONALIKA-26, SOLIS-24	10053731AA	SPRING (FOR GT 20 4WD)	1		INTERCHANGE ABLE WITH 300028591A (ROHS)	

Sr.	Model	Item Code	Description	Qty	Int.	Remarks	Cut Off
24	SOLIS-24 EPA	300028591A	SPRING (FOR GT 20 4WD)	1			
24	SOLIS-26, SONALIKA-26, SOLIS-24	300028591A	SPRING (FOR GT 20 4WD)	1	YES	(ROHS) INTERCHANGE ABLE WITH 10053731AA	
25	SOLIS-26, SONALIKA-26, SOLIS-24	10020864AB	BALL 8 DIA GRADE 20 IS:2898	1			
26	SOLIS-26, SONALIKA-26	10020828AA	OIL SEAL (SHIFTER HOUSING)	1			
26	SOLIS-24	10020828AB	OIL SEAL (SHIFTER HOUSING)	1			
27	SOLIS-26, SONALIKA-26, SOLIS-24	20004313AA	COTTER SLEEVE Ø5*26(DIN:7346) LIGHT	1			

05130A-1/1

INTERMEDIATE SHAFT & IDLER ASSY



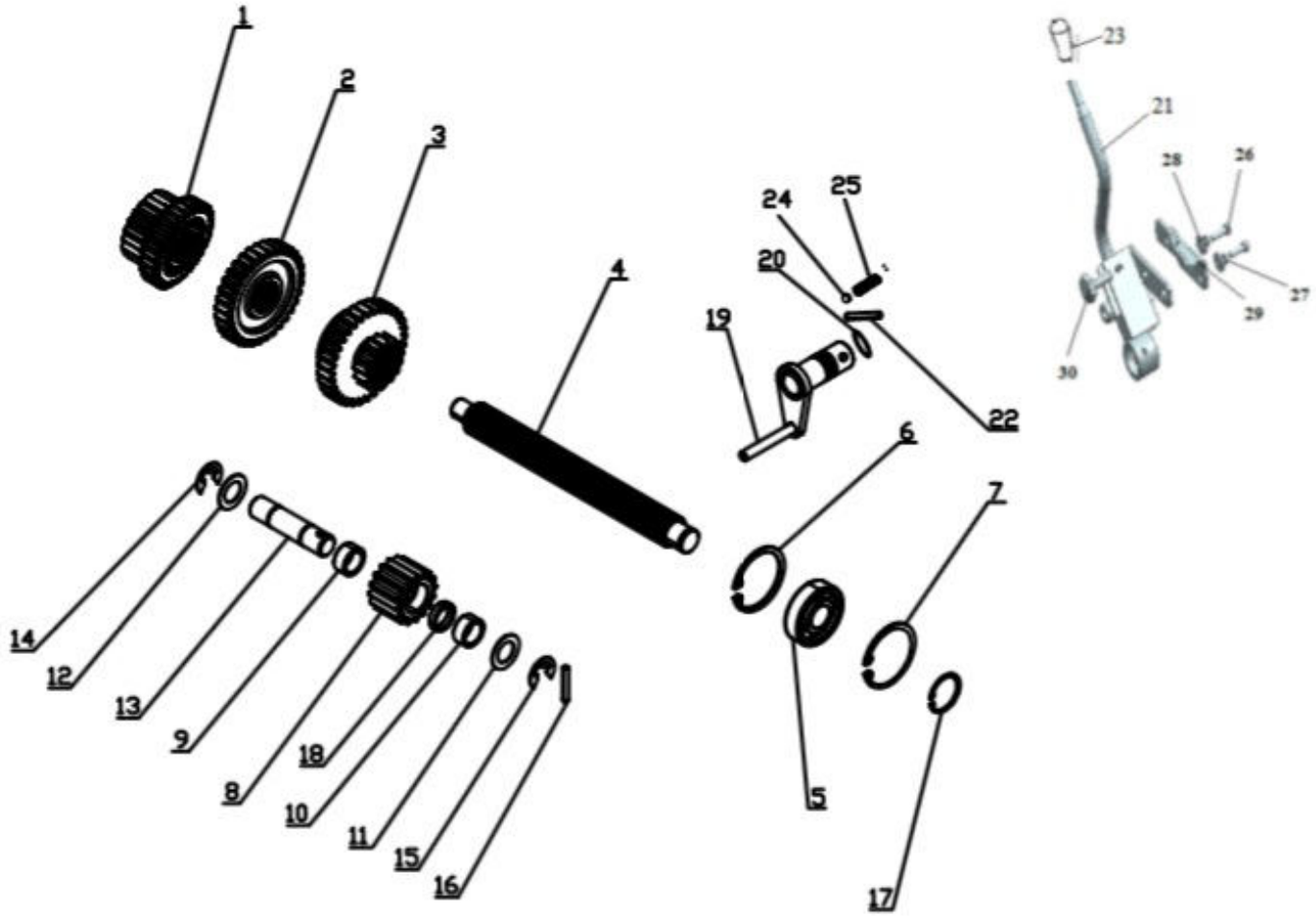
Sr.	Model	Item Code	Description	Qty	Int.	Remarks	Cut Off
1	SOLIS-26, SONALIKA-26	10053229AA	SLIDING GEAR 2ND/3RD, Z-29/Z-21	1			
1	SOLIS-26, SONALIKA-26, SOLIS-24	10053229AB	SLIDING GEAR 2ND/3RD, Z-29/Z-21	1			
1	SOLIS-26, SONALIKA-26	10057078AA	SLIDING GEAR 2ND & 3RD Z-29/Z-24 (FINISH	1	NO	CHANGE IN PTO GEAR RATIO	MEMCMKSF600 385G26
2	SOLIS-26, SONALIKA-26, SOLIS-24	10050697AC	SLIDING GEAR Z-33 (1ST / REV)	1			
2	SOLIS-26, SONALIKA-26	10053594AA	SLIDING GEAR 1ST AND REV Z-34	1	NO		GMKSF557697G 26D
3	SOLIS-26, SONALIKA-26, SOLIS-24	10050698AC	SLIDING GEAR HIGH LOW Z-33 & Z-15	1			
3	SOLIS-26, SONALIKA-26	10054255AA	SLIDING GEAR HI- LOW (Z-16/Z-34) (FINISH	1			
3	SOLIS-26, SONALIKA-26	10051810AA	SLIDING GEAR HIGH LOW Z-33 & Z-16	1	NO		GMKSF557697G 26D

Sr.	Model	Item Code	Description	Qty	Int.	Remarks	Cut Off
3	SOLIS-26, SONALIKA-26	10056735AA	SLIDING GEAR HI-LOW Z-34/Z-15 (FINISH)	1	NO	CHANGE IN PTO GEAR RATIO (PART MODIFIED FROM 10050698AC)	MEMCMKSF600 385G26
3	SONALIKA-26 FACELIFT	10056735AB	SLIDING GEAR HI-LOW Z-34/Z-15 (FINISH)	1			
4	SOLIS-26, SONALIKA-26, SOLIS-24	10050695AB	INTERMEDIATE SHAFT	1			
5	SOLIS-26, SONALIKA-26	20003477AA	BEARING 6304	1		INTERCHANGEABLE WITH 20003477AB (ROHS)	
5	SOLIS-24	20003477AB	BEARING 6304	1			
5	SOLIS-26, SONALIKA-26	20003477AB	BEARING 6304	1	YES	(ROHS) INTERCHANGEABLE WITH 20003477AA	
6	SOLIS-26, SONALIKA-26	20004113AA	INTERNAL CIRCLIP B-52	1			
7	SOLIS-26, SONALIKA-26, SOLIS-24	20004113AA	INTERNAL CIRCLIP B-52	1			
8	SOLIS-26, SONALIKA-26, SOLIS-24	10050731AD	IDLER GEAR Z-16	1			
9	SOLIS-26, SONALIKA-26	20004147AA	NEEDLE CAGE BEARING (24X18X12)	1		INTERCHANGEABLE WITH 20004147AB (ROHS)	
9	SOLIS-24	20004147AB	NEEDLE CAGE BEARING (24X18X12)	1			
9	SOLIS-26, SONALIKA-26	20004147AB	NEEDLE CAGE BEARING (24X18X12)	1		(ROHS) INTERCHANGEABLE WITH 20004147AA	
10	SOLIS-26, SONALIKA-26	20004147AA	NEEDLE CAGE BEARING (24X18X12)	1		INTERCHANGEABLE WITH 20004147AB (ROHS)	
10	SOLIS-26, SONALIKA-26	20004147AB	NEEDLE CAGE BEARING (24X18X12)	1		(ROHS) INTERCHANGEABLE WITH 20004147AA	
11	SOLIS-26, SONALIKA-26, SOLIS-24	10050807AB	WASHER (IDLER SHAFT)	1			
12	SOLIS-26, SONALIKA-26	10050807AB	WASHER (IDLER SHAFT)	1			
13	SOLIS-26, SONALIKA-26, SOLIS-24	10050802AB	IDLER SHAFT	1			
14	SOLIS-26, SONALIKA-26, SOLIS-24	20004151AA	EXTERNAL CIRCLIP E-15	1			
15	SOLIS-26, SONALIKA-26	20004151AA	EXTERNAL CIRCLIP E-15	1			
16	SOLIS-26, SONALIKA-26, SOLIS-24	20004146AA	SPRING COTTER SLEEVE(DIA 5X32)	1			
17	SOLIS-26, SONALIKA-26, SOLIS-24	04020200020	EXTERNAL CIRCLIP A-20	1			
18	SOLIS-26, SONALIKA-26, SOLIS-24	10051484AA	SPACER (IDLER GEAR)	1			
19	SOLIS-26, SONALIKA-26, SOLIS-24	10050714AF	PIN ASSY HI / LO	1			
20	SOLIS-26, SONALIKA-26	20004142AB	O-RING Ø18 X Ø2.0	1			
20	SOLIS-24	20004142AC	O-RING Ø18 X Ø2.0	1			

Sr.	Model	Item Code	Description	Qty	Int.	Remarks	Cut Off
20	SONALIKA-26 FACELIFT	20004142AD	O-RING Ø18 X Ø2.0	1			
21	SOLIS-26, SONALIKA-26	10053648AA	LEVER ASSY HI-LOW	1			
21	SOLIS-24	10053648AC	LEVER ASSY HI-LOW	1		INTERCHANGEABLE WITH 10053648AD (ROHS)	
21	SOLIS-24	10053648AD	LEVER ASSY HI-LOW	1		(ROHS) INTERCHANGEABLE WITH 10053648AC	
21	SONALIKA-26 FACELIFT	10053648AC	LEVER ASSY HI-LOW	1			
22	SOLIS-26, SONALIKA-26, SOLIS-24	20004146AA	SPRING COTTER SLEEVE(DIA 5X32)	1			
23	SOLIS-26, SONALIKA-26	10004846AB	KNOB (ROD ASSY / HANDLER PTO)	1		INTERCHANGEABLE WITH 300007872A (ROHS)	
23	SOLIS-24	10004846AC	KNOB (ROD ASSY / HANDLER PTO)	1			
23	SOLIS-26, SONALIKA-26	300007872A	KNOB (ROD ASSY / HANDLER PTO)	1	YES	(ROHS) INTERCHANGEABLE WITH 10004846AB	
24	SOLIS-26, SONALIKA-26, SOLIS-24	10020864AB	BALL 8 DIA GRADE 20 IS:2898	1			
25	SOLIS-26, SONALIKA-26	10050707AA	SPRING	1			
25	SOLIS-26, SONALIKA-26, SOLIS-24	10053731AA	SPRING (FOR GT 20 4WD)	2	NO	INTERCHANGEABLE WITH 300028591A (ROHS)	AMGSE406480G, KMKSU529195G 26D
25	SOLIS-26, SONALIKA-26, SOLIS-24	300028591A	SPRING (FOR GT 20 4WD)	2	YES	(ROHS) INTERCHANGEABLE WITH 10053731AA	

05131A-1/1

INTERMEDIATE SHAFT & IDLER ASSY



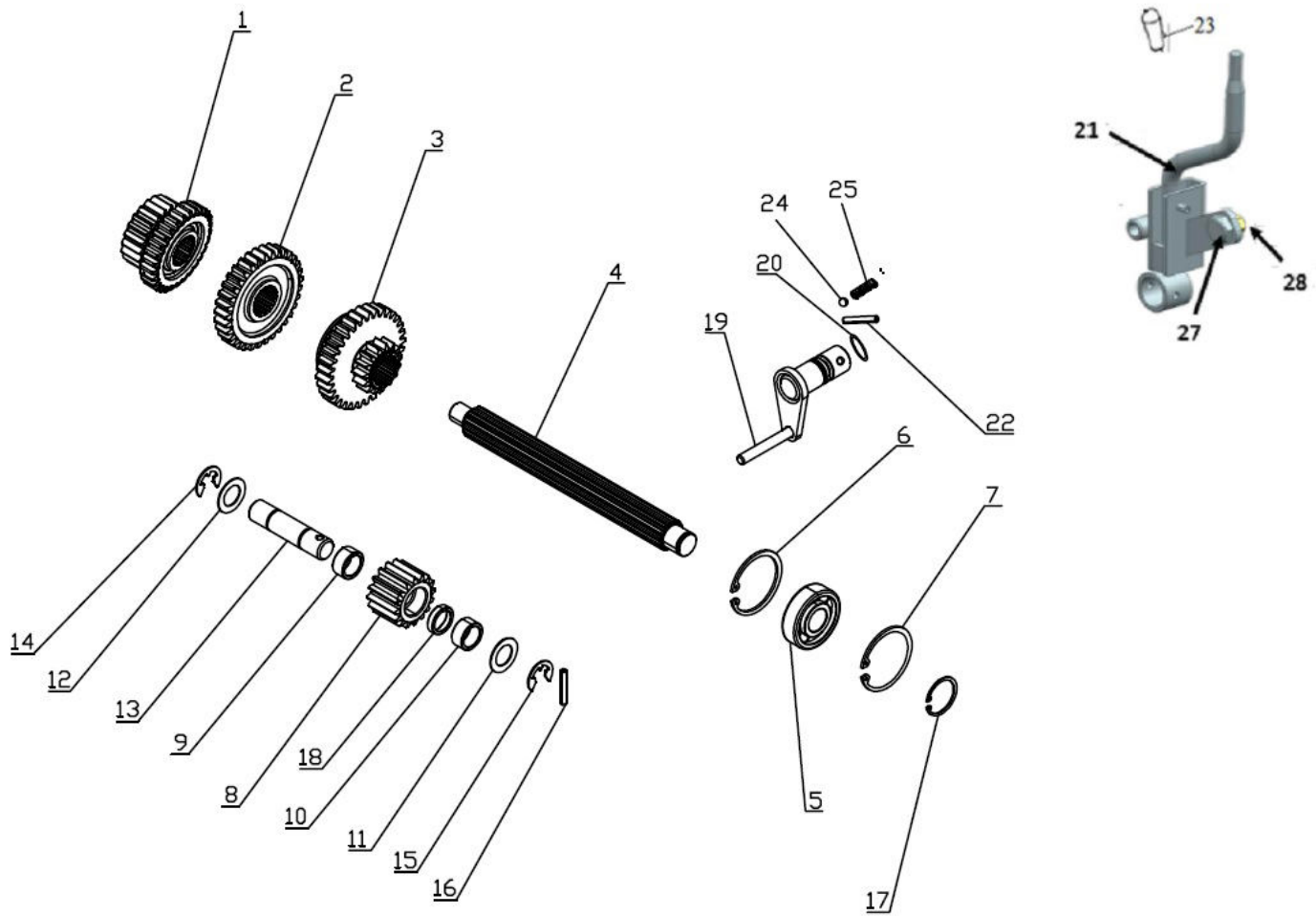
Sr.	Model	Item Code	Description	Qty	Int.	Remarks	Cut Off
1	ALL MODELS	10057078AA	SLIDING GEAR 2ND & 3RD Z-29/Z-24 (FINISH)	1			
2	ALL MODELS	10050697AC	SLIDING GEAR Z-33 (1ST / REV)	1			
3	ALL MODELS	10056735AA	SLIDING GEAR HI-LOW Z-34/Z-15 (FINISH)	1			
4	ALL MODELS	10050695AB	INTERMEDIATE SHAFT	1			
5	ALL MODELS	20003477AA	BEARING 6304	1		INTERCHANGEABLE WITH 20003477AB (ROHS)	
5	ALL MODELS	20003477AB	BEARING 6304	1	YES	(ROHS) INTERCHANGEABLE WITH 20003477AA	

Sr.	Model	Item Code	Description	Qty	Int.	Remarks	Cut Off
6	ALL MODELS	20004113AA	INTERNAL CIRCLIP B-52	1			
7	ALL MODELS	20004113AA	INTERNAL CIRCLIP B-52	1			
8	ALL MODELS	10050731AD	IDLER GEAR Z-16	1			
9	ALL MODELS	20004147AA	NEEDLE CAGE BEARING (24X18X12)	1		INTERCHANGE ABLE WITH 20004147AB (ROHS)	
9	ALL MODELS	20004147AB	NEEDLE CAGE BEARING (24X18X12)	1		(ROHS) INTERCHANGE ABLE WITH 20004147AA	
10	ALL MODELS	20004147AA	NEEDLE CAGE BEARING (24X18X12)	1		INTERCHANGE ABLE WITH 20004147AB (ROHS)	
10	ALL MODELS	20004147AB	NEEDLE CAGE BEARING (24X18X12)	1		(ROHS) INTERCHANGE ABLE WITH 20004147AA	
11	ALL MODELS	10050807AB	WASHER (IDLER SHAFT)	1			
12	ALL MODELS	10050807AB	WASHER (IDLER SHAFT)	1			
13	ALL MODELS	10050802AB	IDLER SHAFT	1			
14	ALL MODELS	20004151AA	EXTERNAL CIRCLIP E-15	1			
15	ALL MODELS	20004151AA	EXTERNAL CIRCLIP E-15	1			
16	ALL MODELS	20004146AA	SPRING COTTER SLEEVE(DIA 5X32)	1			
17	ALL MODELS	04020200020	EXTERNAL CIRCLIP A-20	1			
18	ALL MODELS	10051484AA	SPACER (IDLER GEAR)	1			
19	ALL MODELS	10050714AF	PIN ASSY HI / LO	1			
20	ALL MODELS	20004142AB	O-RING Ø18 X Ø2.0	1			
21	ALL MODELS	300009605B	LEVER ASSY HI-LOW	1			
22	ALL MODELS	20004146AA	SPRING COTTER SLEEVE(DIA 5X32)	1			
23	ALL MODELS	300007872A	KNOB (ROD ASSY / HANDLER PTO)	1			
24	ALL MODELS	10020864AB	BALL 8 DIA GRADE 20 IS:2898	1			
25	ALL MODELS	10053731AA	SPRING (FOR GT 20 4WD)	2		INTERCHANGE ABLE WITH 300028591A (ROHS)	
25	ALL MODELS	300028591A	SPRING (FOR GT 20 4WD)	2	YES	(ROHS) INTERCHANGE ABLE WITH 10053731AA	
26	ALL MODELS	20003207AA	HEX HEAD SCREW M5*16	2		INTERCHANGE ABLE WITH 20005589AA (ROHS)	
26	ALL MODELS	20005589AA	HEX HEAD SCREW M5X16_8.8 SA4GS	2		(ROHS) INTERCHANGE ABLE WITH 20003207AA	

Sr.	Model	Item Code	Description	Qty	Int.	Remarks	Cut Off
27	ALL MODELS	04030400005	SPRING WASHER B - 5	2			
28	ALL MODELS	04030600005	PLAIN WASHER DIA 5.3 *DIA 15*1.5	2		INTERCHANGEABLE WITH 300032712A (ROHS)	
28	ALL MODELS	300032712A	WASHER	2		(ROHS) INTERCHANGEABLE WITH 04030600005	
29	ALL MODELS	300034053A	ACTUATING PIN HOLDING BRACKET	1			
30	ALL MODELS	300034070A	SWITCH ACTUATING PIN	1			

05132A-1/1

INTERMEDIATE SHAFT & IDLER ASSY

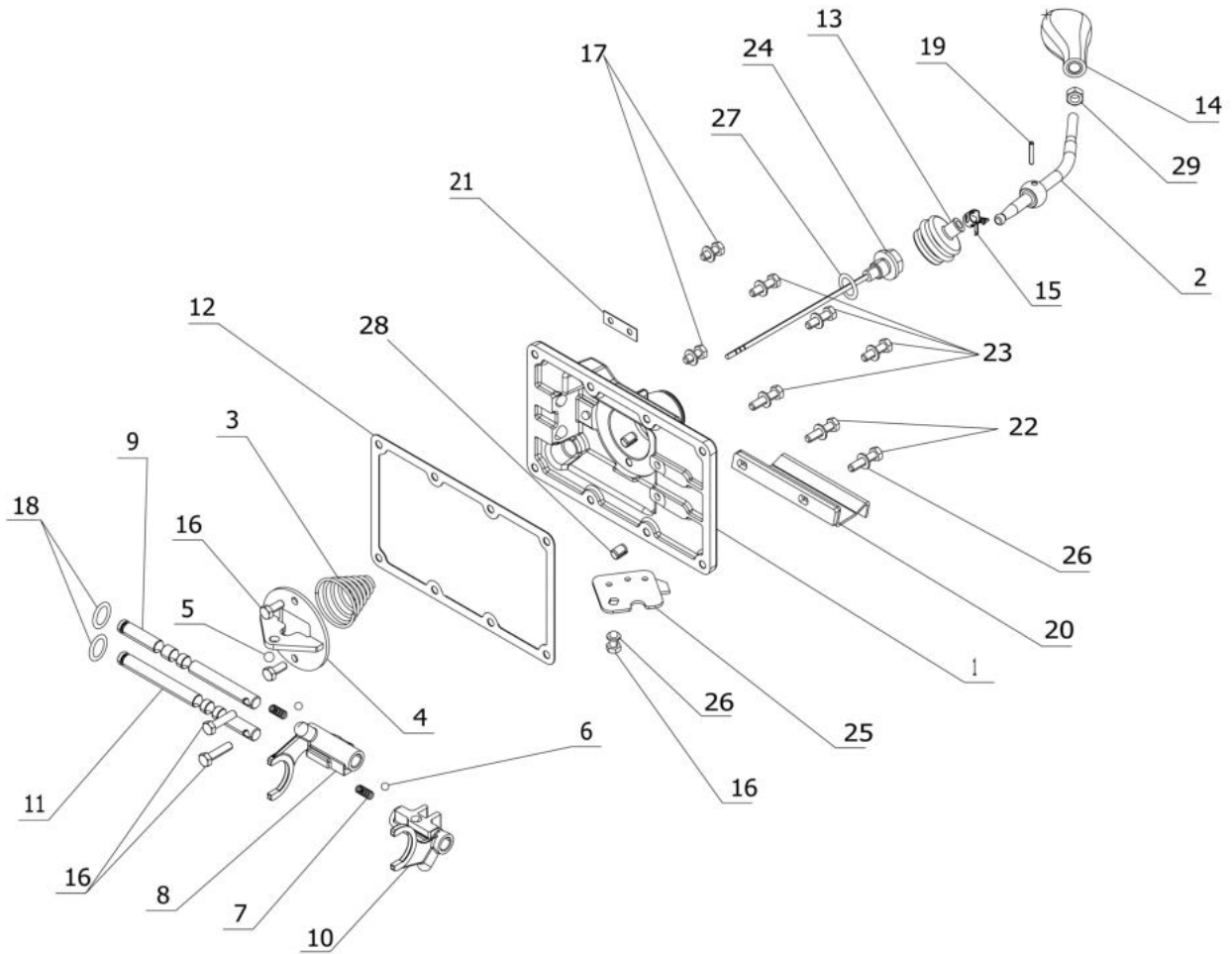


Sr.	Model	Item Code	Description	Qty	Int.	Remarks	Cut Off
1	ALL MODELS	10057078AA	SLIDING GEAR 2ND & 3RD Z-29/Z-24 (FINISH)	1			
2	ALL MODELS	10050697AC	SLIDING GEAR Z-33 (1ST / REV)	1			
3	ALL MODELS	10056735AA	SLIDING GEAR HI-LOW Z-34/Z-15 (FINISH)	1			
4	ALL MODELS	10050695AB	INTERMEDIATE SHAFT	1			
5	ALL MODELS	20003477AB	BEARING 6304	1			
6	ALL MODELS	20004113AA	INTERNAL CIRCLIP B-52	1			
7	ALL MODELS	20004113AA	INTERNAL CIRCLIP B-52	1			
8	ALL MODELS	10050731AD	IDLER GEAR Z-16	1			

Sr.	Model	Item Code	Description	Qty	Int.	Remarks	Cut Off
9	ALL MODELS	20004147AB	NEEDLE CAGE BEARING (24X18X12)	1			
10	ALL MODELS	20004147AB	NEEDLE CAGE BEARING (24X18X12)	1			
11	ALL MODELS	10050807AB	WASHER (IDLER SHAFT)	1			
12	ALL MODELS	10050807AB	WASHER (IDLER SHAFT)	1			
13	ALL MODELS	10050802AB	IDLER SHAFT	1			
14	ALL MODELS	20004151AA	EXTERNAL CIRCLIP E-15	1			
15	ALL MODELS	20004151AA	EXTERNAL CIRCLIP E-15	1			
16	ALL MODELS	20004146AA	SPRING COTTER SLEEVE(DIA 5X32)	1			
17	ALL MODELS	04020200020	EXTERNAL CIRCLIP A-20	1			
18	ALL MODELS	10051484AA	SPACER (IDLER GEAR)	1			
19	ALL MODELS	10050714AF	PIN ASSY HI / LO	1			
20	ALL MODELS	20004142AC	O-RING Ø18 X Ø2.0	1			
21	ALL MODELS	300009605C	LEVER ASSY HI-LOW	1			
22	ALL MODELS	20004146AA	SPRING COTTER SLEEVE(DIA 5X32)	1			
23	ALL MODELS	300007872A	KNOB (ROD ASSY / HANDLER PTO)	1			
24	ALL MODELS	10020864AB	BALL 8 DIA GRADE 20 IS:2898	1			
25	ALL MODELS	300028591A	SPRING (FOR GT 20 4WD)	2			
27	ALL MODELS	300034077B	SWITCH ACTUATING PIN	1			
28	ALL MODELS	20005504AA	HEX NUT M8X1.25 -8 SA4GS	1			

06110A-1/1

SHIFTER HOUSING ASSY.



Sr.	Model	Item Code	Description	Qty	Int.	Remarks	Cut Off
1	SOLIS-26,SONALIKA-26, SOLIS-24	10050699AE	GEAR SHIFTER HOUSING	1			
2	SOLIS-26,SONALIKA-26, SOLIS-24	10053664AA	GEAR SHIFTER LEVER	1			
3	SOLIS-26,SONALIKA-26	10050711AD	CONICAL SPRING	1		INTERCHANGE ABLE WITH 10050711AE (ROHS)	
3	SOLIS-24	10050711AE	CONICAL SPRING	1			
3	SOLIS-26,SONALIKA-26	10050711AE	CONICAL SPRING	1	YES	(ROHS) INTERCHANGE ABLE WITH 10050711AD	
4	SOLIS-26,SONALIKA-26, SOLIS-24	10050709AC	LOCKING PLATE	1			

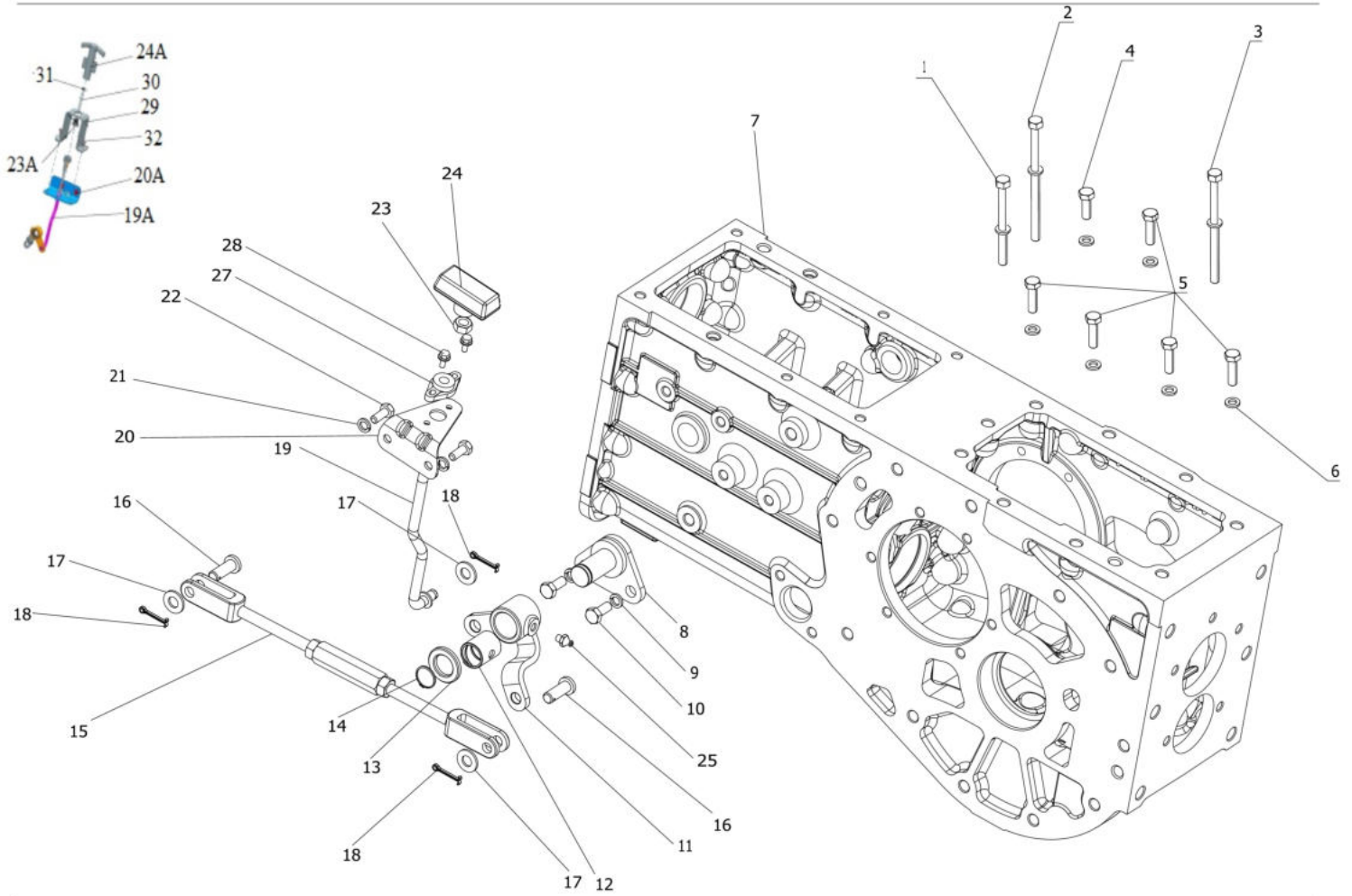
Sr.	Model	Item Code	Description	Qty	Int.	Remarks	Cut Off
5	SOLIS-26,SONALIKA-26, SOLIS-24	10020861AB	BALL 10 DIA GRADE 20 IS:2898	1			
6	SOLIS-26,SONALIKA-26, SOLIS-24	10020864AB	BALL 8 DIA GRADE 20 IS:2898	2			
7	SOLIS-26,SONALIKA-26, SOLIS-24	10053731AA	SPRING (FOR GT 20 4WD)	2	NO	INTERCHANGE ABLE WITH 300028591A (ROHS)	AMGSE406480G , KMKSU529195G 26D
7	SOLIS-26,SONALIKA-26	10050707AA	SPRING	2			
7	SOLIS-24 EPA	300028591A	SPRING (FOR GT 20 4WD)	2			
7	SOLIS-26,SONALIKA-26, SOLIS-24	300028591A	SPRING (FOR GT 20 4WD)	2	YES	(ROHS) INTERCHANGE ABLE WITH 10053731AA	
8	SOLIS-26,SONALIKA-26, SOLIS-24	10050705AD	SHIFTER FORK	1			
8	SOLIS-24 EPA	10050705AE	SHIFTER FORK	1			
8	SOLIS-26,SONALIKA-26, SOLIS-24	10050705AE	SHIFTER FORK	1	INTE RCH ANG EABL E WITH 1005 0705 AD		MMGSG708994 G
9	SOLIS-26,SONALIKA-26,	10050704AB	SHIFTER ROD 2ND / 3RD	1			
10	SOLIS-26,SONALIKA-26, SOLIS-24	10050705AD	SHIFTER FORK	1			
10	SOLIS-24 EPA	10050705AE	SHIFTER FORK	1			
10	SOLIS-26,SONALIKA-26, SOLIS-24	10050705AE	SHIFTER FORK	1	INTE RCH ANG EABL E WITH 1005 0705 AD		MMGSG708994 G
11	SOLIS-26,SONALIKA-26, SOLIS-24	10050703AB	SHIFTER ROD 1ST / REV	1			
12	SOLIS-26,SONALIKA-26, SOLIS-24	10051202AB	GASKET FOR GEAR SHIFTER HOUSING	1		INTERCHANGE ABLE WITH 10055132AA (ROHS)	
12	SOLIS-24 EPA	10055132AA	GASKET FOR GEAR SHIFTER HOUSING	1			
12	SOLIS-26,SONALIKA-26, SOLIS-24	10055132AA	GASKET FOR GEAR SHIFTER HOUSING	1	YES	(ROHS) INTERCHANGE ABLE WITH 10051202AB	
13	SOLIS-26,SONALIKA-26, SOLIS-24	10050702AE	RUBBER BOOT	1		INTERCHANGE ABLE WITH 10055133AA (ROHS)	
13	SOLIS-24 EPA	10055133AA	RUBBER BOOT	1			
13	SOLIS-26,SONALIKA-26, SOLIS-24	10055133AA	RUBBER BOOT	1	YES	(ROHS) INTERCHANGE ABLE WITH 10050702AE	

Sr.	Model	Item Code	Description	Qty	Int.	Remarks	Cut Off
14	SOLIS-24	10053659AB	SHIFTER KNOB (DIFF. SPEED)	1			
14	SOLIS-26,SONALIKA-26	10053659AC	SHIFTER KNOB (DIFF. SPEED)	1	YES		MEMBMGSF539 927G
14	SOLIS-26,SONALIKA-26	10053659AA	SHIFTER KNOB (DIFF. SPEED)	1		INTERCHANGE ABLE WITH 10053659AC (ROHS)	
14	SOLIS-24 EPA	10053659AD	SHIFTER KNOB (DIFF. SPEED)	1			
14	SOLIS-26,SONALIKA-26	10053659AC	SHIFTER KNOB (DIFF. SPEED)	1		(ROHS) INTERCHANGE ABLE WITH 10053659AA	
15	SOLIS-26,SONALIKA-26	10053039AA	CLAMP DIA 16	1		INTERCHANGE ABLE WITH 20005632AA (ROHS)	
15	SOLIS-24	10053039AB	CLAMP DIA 16	1			
15	SOLIS-24 EPA	20005632AA	CLAMP DIA 16	1			
15	SOLIS-26,SONALIKA-26	20005632AA	CLAMP DIA 16	1		(ROHS) INTERCHANGE ABLE WITH 10053039AA	
16	SOLIS-26,SONALIKA-26, SOLIS-24	20002059AA	HEX HEAD SCREW M8X1.25X16 8-8 SA2JS	5		INTERCHANGE ABLE WITH 20005559AA (ROHS)	
16	SOLIS-24 EPA	20005559AA	HEX HEAD SCREW M8X1.25X16 8-8 SA4GS	5			
16	SOLIS-26,SONALIKA-26, SOLIS-24	20005559AA	HEX HEAD SCREW M8X1.25X16 -8.8 SA4GS	5		(ROHS) INTERCHANGE ABLE WITH 20002059AA	
17	SOLIS-26,SONALIKA-26	20001096AA	HEX. HEAD SCREW M8 X 1.25 X 20 8-8 SA2JS	2		INTERCHANGE ABLE WITH 20005565AA (ROHS)	
17	SOLIS-26,SONALIKA-26	20001096AA	HEX. HEAD SCREW M8 X 1.25 X 20 8-8 SA2JS	2		INTERCHANGE ABLE WITH 20005565AA (ROHS)	
17	SOLIS-24 EPA	20005565AA	HEX HEAD SCREW M8X1.25X20 -8.8 SA4GS	2			
17	SOLIS-26,SONALIKA-26	20005565AA	HEX HEAD SCREW M8X1.25X20 -8.8 SA4GS	2	YES	(ROHS) INTERCHANGE ABLE WITH 20001096AA	
17	SOLIS-26,SONALIKA-26	20005565AA	HEX HEAD SCREW M8X1.25X20 -8.8 SA4GS	2	YES	(ROHS) INTERCHANGE ABLE WITH 20001096AA	
18	SOLIS-26,SONALIKA-26	20004143AA	O-RING DIA 9.6X2.3	2		INTERCHANGE ABLE WITH 20004143AC (ROHS)	
18	SOLIS-24	20004143AB	O-RINGDIA9.6X2.3	2			
18	SOLIS-26,SONALIKA-26	20004143AC	O-RING Ø09.6 X Ø2.3	2		(ROHS) INTERCHANGE ABLE WITH 20004143AA	
19	SOLIS-26,SONALIKA-26, SOLIS-24	20004146AA	SPRING COTTER SLEEVE(DIA 5X32)	1			

Sr.	Model	Item Code	Description	Qty	Int.	Remarks	Cut Off
20	SOLIS-26 EXCEPT FACELIFT,SONALIKA-26, SOLIS-24	10053650AA	GUIDE PLATE	1			
20	SOLIS-26 FACELIFT	10053650AD	GUIDE PLATE	1			
20	SOLIS-24 EPA	10053650AE	GUIDE PLATE	1			
21	SOLIS-26,SONALIKA-26, SOLIS-24	10050710AA	LOCKING WASHER (SHIFTER ROD)	1			
22	SOLIS-24	20003286AC	HEX SCREW M8X1.25X35 8-8 SA4JS	2			
22	SOLIS-26,SONALIKA-26	20003286AB	HEX SCREW M8X1.25X35 8-8 SA2JS	2			
22	SOLIS-24 EPA	20005567AA	HEX SCREW M8X1.25X35 8.8 SA4GS	2			
23	SOLIS-26,SONALIKA-26	20003285AB	HEX SCREW M8X1.25X30 8-8 SA2JS	4			
23	SOLIS-24	20003285AC	HEX SCREW M8X1.25X30 8-8 SA4JS	4			
23	SOLIS-24 EPA	20005563AA	HEX SCREW M8X1.25X30 -8.8 SA4GS	4			
24	SOLIS-26,SONALIKA-26, SOLIS-24	10051787AA	DIPSTICK FOR GARDEN TRAC	1			
25	SOLIS-26,SONALIKA-26	10050715AC	LOCKING PLATE	1			
25	SOLIS-26,SONALIKA-26, SOLIS-24	10050715AD	LOCKING PLATE	1			
26	SOLIS-26,SONALIKA-26	04030400008	SPRING WASHER B-8	9		INTERCHANGEABLE WITH 20005517AA (ROHS)	
26	SOLIS-24	20005517AA	SPRINGWASHERB-8TYPE-AIS:3067-1972	9			
26	SOLIS-26,SONALIKA-26	20005517AA	SPRING WASHER B-8 TYPE A IS: 3067-1972	9	YES	(ROHS) INTERCHANGEABLE WITH 04030400008	
27	SOLIS-26,SONALIKA-26, SOLIS-24	04030222029	SEALING WASHER DIA 22.2 * DIA 29 * 1.5	1			
28	SOLIS-26,SONALIKA-26, SOLIS-24	10052733AA	SPRING DOWEL SLEEVE LIGHT	2			
29	SOLIS-26,SONALIKA-26	20003357AB	HEX NUT M10 -8 SA2JS	1			
29	SOLIS-24 EPA	20005503AA	HEX NUT M10 -8 SA4GS	1			

07110A-1/1

TRANSMISSION HSG.



Sr.	Model	Item Code	Description	Qty	Int.	Remarks	Cut Off
1	SOLIS-26, SONALIKA-26	20003223AA	HEX BOLT M10*1.5*90 8-8 SA3NS	1			
1	SOLIS-26, SONALIKA-26, SOLIS-24	20003223AB	HEX. BOLT M10*1.5*90	1	YES		BMKSF538711G 26
2	SOLIS-26, SONALIKA-26, SOLIS-24	04040710130	HEX BOLT M10X130	1		INTERCHANGE ABLE WITH 20005594AA (ROHS)	
2	SOLIS-24 EPA	20005594AA	Hex Bolt M10x130 SA4GS	1			
2	SOLIS-26, SONALIKA-26, SOLIS-24	20005594AA	HEX HEAD BOLT M10X130_8.8 SA4GS	1		(ROHS) INTERCHANGE ABLE WITH 04040710130	
3	SOLIS-26, SONALIKA-26	20004067AA	HEX BOLT M10*1.5*120 8-8 SA3NS	1			

Sr.	Model	Item Code	Description	Qty	Int.	Remarks	Cut Off
3	SOLIS-26, SONALIKA-26, SOLIS-24	20004067AB	HEX. BOLT M10*1.5*120	1	YES		BYDDF536462MS
4	SOLIS-26, SONALIKA-26, SOLIS-24	20002015AB	HEX HEAD SCREW M10X1.5X25 8-8 SA2JS	1			
4	SOLIS-24 EPA	20005553AA	HEX HEAD SCREW M10X1.5X25 SA4GS	1			
5	SOLIS-26, SONALIKA-26	20002016AB	HEX. HEAD SCREW M10 X 1.5 X 30 8-8 SA2JS	5			
5	SOLIS-24	20002016AC	HEX. HEAD SCREW M10 X 1.5 X 30 8-8 SA4JS	5			
5	SOLIS-24 EPA	20005562AA	HEX HEAD SCREW M10X1.5X30 -8.8 SA4GS	5			
6	SOLIS-26, SONALIKA-26	04030400010	SPRING WASHER B-10	9			
6	SOLIS-24	20005518AA	SPRING WASHER B-10 TYPE-A IS: 3067-1972	9			
7	SOLIS-26, SONALIKA-26	10053365AA	TRANSMISSION HOUSING FINISH	1			
7	SOLIS-26, SONALIKA-26, SOLIS-24	10053365AC	TRANSMISSION HOUSING FINISH	1			
8	SOLIS-26, SONALIKA-26	10053408AC	LEVER MOUNTING BRACKET	1			
8	SOLIS-26, SONALIKA-26, SOLIS-24	10053408AD	LEVER MOUNTING BRACKET	1			
9	SOLIS-26, SONALIKA-26	04030400008	SPRING WASHER B-8	2		INTERCHANGEABLE WITH 20005517AA (ROHS)	
9	SOLIS-24	20003670AC	SPRING WASHER B-8 TYPE-A IS: 3063-1972	2			
9	SOLIS-24 EPA	20005517AA	SPRING WASHER B-8 TYPE-A IS: 3063-1972	2			
9	SOLIS-26, SONALIKA-26	20005517AA	SPRING WASHER B-8 TYPE A IS: 3067-1972	2	YES	(ROHS) INTERCHANGEABLE WITH 04030400008	
10	SOLIS-26, SONALIKA-26	20001096AA	HEX. HEAD SCREW M8 X 1.25 X 20 8-8 SA2JS	2		INTERCHANGEABLE WITH 20005565AA (ROHS)	
10	SOLIS-24	20001096AB	HEX. HEAD SCREW M8 X 1.25 X 20 8-8 SA4JS	2			
10	SOLIS-24 EPA	20005565AA	HEX HEAD SCREW M8X1.25X20 -8.8 SA4GS	2			
10	SOLIS-26, SONALIKA-26	20005565AA	HEX HEAD SCREW M8X1.25X20 -8.8 SA4GS	2	YES	(ROHS) INTERCHANGEABLE WITH 20001096AA	
11	SOLIS-26, SONALIKA-26	10053409AB	LUG ASSY FOR 4WD LEVER	1		INTERCHANGEABLE WITH 10053409AD (ROHS)	
11	SOLIS-26, SONALIKA-26	10053409AC	LUG ASSY FOR 4WD LEVER	1			
11	SOLIS-24	10053409AF	LUG ASSY FOR 4WD LEVER	1			
11	SOLIS-24 EPA	10053409AG	LUG ASSY FOR 4WD LEVER	1			
11	SOLIS-26, SONALIKA-26	10053409AD	LUG ASSY FOR 4WD LEVER	1		(ROHS) INTERCHANGEABLE WITH 10053409AB	
11	SONALIKA-26 FACELIFT	10053409AF	LUG ASSY FOR 4WD LEVER	1			
12	SOLIS-26, SONALIKA-26	10053416AA	BUSH FOR LUG ASSY	1		CHILD PART OF LUG ASSY.	

Sr.	Model	Item Code	Description	Qty	Int.	Remarks	Cut Off
13	SOLIS-26, SONALIKA-26	10080057AB	WASHER FOR SHUTTLE LEVER	1		INTERCHANGEABLE WITH 10080057AD (ROHS)	
13	SOLIS-24	10080057AC	WASHER FOR SHUTTLE LEVER	1			
13	SOLIS-24 EPA	10080057AD	WASHER FOR SHUTTLE LEVER	1			
13	SOLIS-26, SONALIKA-26	10080057AD	WASHER FOR SHUTTLE LEVER	1		(ROHS) INTERCHANGEABLE WITH 10080057AB	
14	SOLIS-26, SONALIKA-26, SOLIS-24	04020200020	EXTERNAL CIRCLIP A-20	1			
15	SOLIS-26, SONALIKA-26	10053412AB	ACTUATOR FORK ASSY.	1		INTERCHANGEABLE WITH 10053412AC (ROHS)	
15	SOLIS-24	10053412AC	ACTUATOR FORK ASSY.	1			
15	SOLIS-26, SONALIKA-26	10053412AC	ACTUATOR FORK ASSY.	1		(ROHS) INTERCHANGEABLE WITH 10053412AB	
16	SOLIS-26, SONALIKA-26	10005187AA	LINK PIN	2		INTERCHANGEABLE WITH 10087974AA (ROHS)	
16	SOLIS-24	10005187AB	LINK PIN	2			
16	SOLIS-24 EPA	10087974AA	LINK ASSY	2			
16	SOLIS-26, SONALIKA-26	10087974AA	LINK ASSY	2	YES	(ROHS) INTERCHANGEABLE WITH 10005187AA	
17	SOLIS-26, SONALIKA-26	04030800010	M/CD WASHER DIA 10.5 *DIA 21*2	3			
17	SOLIS-24	20000100AA	M/CD WASHER DIA 10.5 *DIA 21*2	3		INTERCHANGEABLE WITH 20005625AA (ROHS)	
17	SOLIS-24 EPA	20005625AA	M/CD WASHER 10.5*21*2	3			
17	SOLIS-24	20005625AA	M/CD WASHER 10.5*21*2	3	YES	(ROHS) INTERCHANGEABLE WITH 20000100AA	
17	SONALIKA-26 FACELIFT	20000100AA	M/CD WASHER DIA 10.5 *DIA 21*2	3			
18	SOLIS-26, SONALIKA-26	04010102025	SPLIT PIN DIA 2*25	3			
18	SOLIS-24	20003676AB	SPLIT PIN DIA 2*25	3		INTERCHANGEABLE WITH 20005526AA (ROHS)	
18	SOLIS-24 EPA	20005526AA	SPLIT PIN DIA 2*25	3			
18	SOLIS-24	20005526AA	SPLIT PIN DIA 2*25	3		(ROHS) INTERCHANGEABLE WITH 20003676AB	
19	SOLIS-26, SONALIKA-26	10053410AB	CONNECTING ROD	1			
19	SOLIS-26, SONALIKA-26, SOLIS-24	10053410AD	CONNECTING ROD	1			

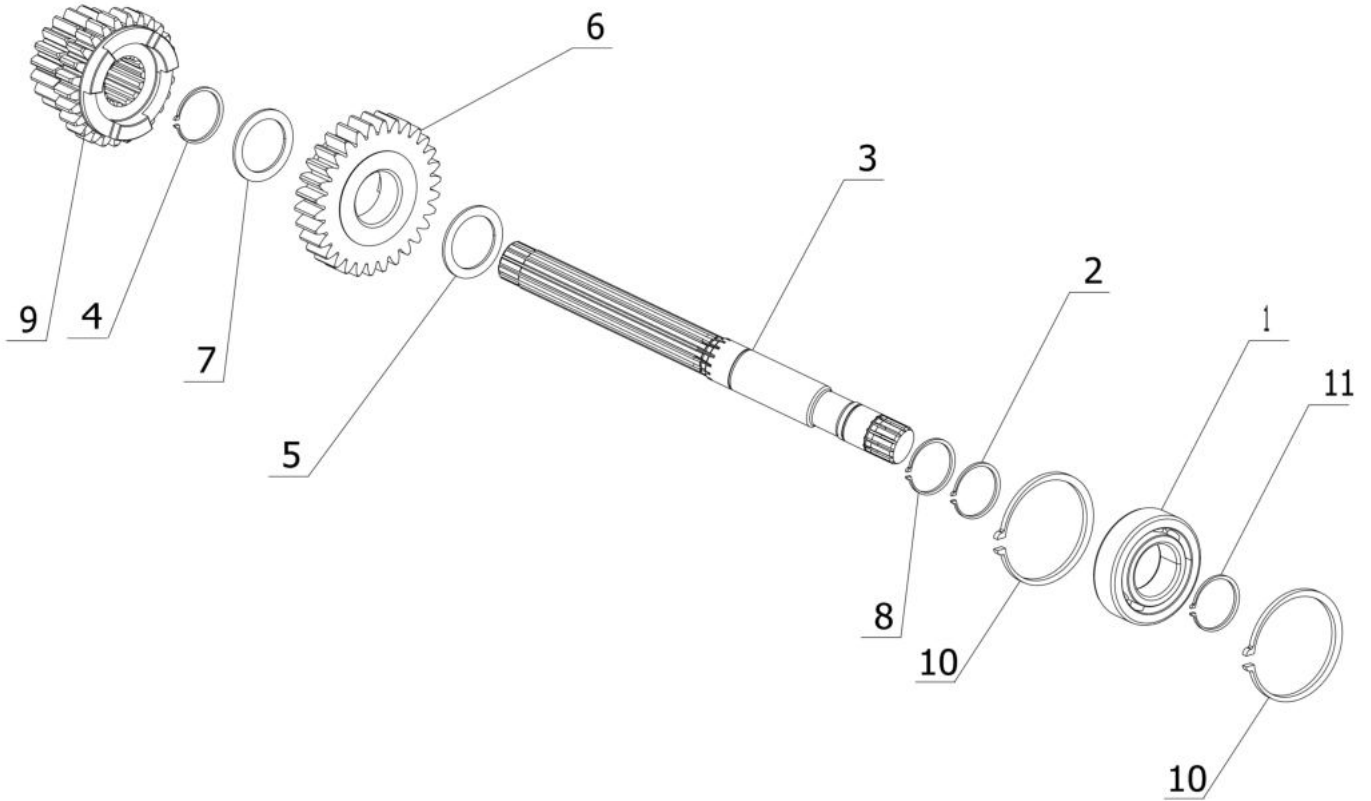
Sr.	Model	Item Code	Description	Qty	Int.	Remarks	Cut Off
19A	SOLIS-26,SONALIKA-26	10056926AA	CONNECTING ROD FOR 4WD LEVER ASSY	1	NO		CMKSF601965G 26
19	SOLIS-26, SONALIKA-26	10053410AC	CONNECTING ROD	1			
19A	SOLIS-24 EPA	10056926AA	CONNECTING ROD FOR 4WD LEVER ASSY	1			
20	SOLIS-26, SONALIKA-26, SOLIS-24	10053411AC	HANDLE MOUNTING BRACKET	1			
20A	SOLIS-26,SONALIKA-26	10056925AA	4WD HANDLE MTG BRACKET W/O PAINT	1	NO	UNPAINTED CODE	CMKSF601965G 26
20	SOLIS-26, SONALIKA-26	10053411AB	HANDLE MOUNTING BRACKET	1			
20A	SOLIS-26,SONALIKA-26	10057564AA	4WD HANDLE MTG BKT WITH BLACK PAINT	1	NO	PAINTED CODE	CMKSF601965G 26
20A	SOLIS-24 EPA	10056925AA	4WD HANDLE MTG BRACKET W/O PAINT	1		UNPAINTED CODE	
21	SOLIS-26, SONALIKA-26	04030400008	SPRING WASHER B-8	2		INTERCHANGE ABLE WITH 20005517AA (ROHS)	
21	SOLIS-24	20003670AC	SPRING WASHER B-8 TYPE-A IS: 3063-1972	2			
21	SOLIS-24 EPA	20005517AA	SPRING WASHER B-8 TYPE-A IS: 3063-1972	2			
21	SOLIS-26, SONALIKA-26	20005517AA	SPRING WASHER B-8 TYPE A IS: 3067-1972	2	YES	(ROHS) INTERCHANGE ABLE WITH 04030400008	
22	SOLIS-26, SONALIKA-26	20001096AA	HEX. HEAD SCREW M8 X 1.25 X 20 8-8 SA2JS	2		INTERCHANGE ABLE WITH 20005565AA (ROHS)	
22	SOLIS-24	20001096AB	HEX. HEAD SCREW M8 X 1.25 X 20 8-8 SA4JS	2			
22	SOLIS-24 EPA	20005565AA	HEX HEAD SCREW M8X1.25X20 -8.8 SA4GS	2			
22	SOLIS-26, SONALIKA-26	20005565AA	HEX HEAD SCREW M8X1.25X20 -8.8 SA4GS	2	YES	(ROHS) INTERCHANGE ABLE WITH 20001096AA	
23	SOLIS-26, SONALIKA-26	20003357AB	HEX NUT M10 -8 SA2JS	1			
23A	SOLIS-26,SONALIKA-26	10008590AB	SPECIAL BOLT (FOR 4WD LEVER)	1	NO	INTERCHANGE ABLE WITH 300028488A (ROHS)	CMKSF601965G 26
23	SOLIS-24	20003357AD	HEX NUT M10 -8 SA4JS	1		INTERCHANGE ABLE WITH 20003357AF (ROHS)	
23A	SOLIS-24 EPA	300028488A	SPECIAL BOLT (FOR 4WD LEVER)	1			
23	SOLIS-24 EPA	20005503AA	HEX NUT M10 -8 SA4GS	1			
23A	SOLIS-26,SONALIKA-26	300028488A	SPECIAL BOLT (FOR 4WD LEVER)	1	YES	(ROHS) INTERCHANGE ABLE WITH 10008590AB	
23	SOLIS-24	20003357AF	HEX NUT M10 -8 SA4GS	1		(ROHS) INTERCHANGE ABLE WITH 20003357AD	
24	SOLIS-26, SONALIKA-26	10053658AA	HANDLE 4WD FOR GT-26 EEC	1			

Sr.	Model	Item Code	Description	Qty	Int.	Remarks	Cut Off
24	SOLIS-26, SONALIKA-26	10053658AB	HANDLE 4WD FOR GT-26 EEC	1		INTERCHANGEABLE WITH 10053658AC (ROHS)	
24	SOLIS-24	10053658AC	HANDLE 4WD FOR GT-26 EEC	1			
24A	SOLIS-26,SONALIKA-26	10006018AB	HANDLE FOR PUSH PULL ROD	1	NO	INTERCHANGEABLE WITH 10006018AD (ROHS)	CMKSF601965G26
24A	SOLIS-24 EPA	10006018AC	HANDLE FOR PUSH PULL ROD	1		INTERCHANGEABLE WITH 300031384A (ROHS)	
24A	SOLIS-24 EPA	300031384A	HANDLE FOR PUSH PULL ROD	1	YES	(ROHS) INTERCHANGEABLE WITH 10006018AC	
24	SOLIS-26, SONALIKA-26	10053658AC	HANDLE 4WD FOR GT-26 EEC	1		(ROHS) INTERCHANGEABLE WITH 10053658AB	
24A	SOLIS-26,SONALIKA-26	10006018AD	HANDLE FOR PUSH PULL ROD	1		(ROHS) INTERCHANGEABLE WITH 10006018AB	
25	SOLIS-26, SONALIKA-26	20004029AA	GREASE NIPPLE M6X1	1			
26	SOLIS-26, SONALIKA-26, SOLIS-24	042300268AA	TRANSMISSION OIL ELF 2412 (O.I.B)	18		IN LITRES,NOT SHOWN, Not Serviceable part	
26	SOLIS-26,SONALIKA-26	10026280AA	TRANSMISSION OIL (ELF)	18	NO	IN LITRES,NOT SHOWN	MEMCMKSF600385G26
26	SOLIS-24 EPA	10026280AA	TRANSMISSION OIL (ELF)	18		IN LITRES,NOT SHOWN	
27	SOLIS-26, SONALIKA-26	10083082AA	FLANGE BEARING 4WD LEVER	1		INTERCHANGEABLE WITH 10083082AB (ROHS)	
27	SOLIS-24	10083082AB	FLANGE BEARING 4WD LEVER	1			
27	SOLIS-26, SONALIKA-26	10083082AB	FLANGE BEARING 4WD LEVER	1		(ROHS) INTERCHANGEABLE WITH 10083082AA	
28	SOLIS-26, SONALIKA-26	04042905015	SLOTTED CHEESE HD SCREW M5*15	2		INTERCHANGEABLE WITH 20005534AA (ROHS)	
28	SOLIS-24	20003549AB	SLOTTEED CHEESE HEAD SCREWS M5*15	2			
28	SOLIS-24 EPA	20005534AA	SLOTTED CHEASE HEAD SCREW M5*15	2			
28	SOLIS-26, SONALIKA-26	20005534AA	SLOTTED CHEASE HEAD SCREW M5*15	2		(ROHS) INTERCHANGEABLE WITH 04042905015	
29	SOLIS-26,SONALIKA-26	10056954AA	BRACKET FOR 4WD LEVER W/O PAINT	1		UNPAINTED CODE, NEW PART ADDED FROM	CMKSF601965G26
29	SOLIS-26,SONALIKA-26	10057562AA	BRACKET FOR 4WD LEVER WITH BLACK PAINT	1		PAINTED CODE,NEW PART ADDED FROM	CMKSF601965G26

Sr.	Model	Item Code	Description	Qty	Int.	Remarks	Cut Off
29	SOLIS-24 EPA	10057562AA	BRACKET FOR 4WD LEVER WITH BLACK PAINT	1			
30	SOLIS-26,SONALIKA-26	10007237AB	SPRING (4WD LEVER)	2		NEW PART ADDED FROM	CMKSF601965G 26
30	SOLIS-24 EPA	10007237AB	SPRING (4WD LEVER)	2			
31	SOLIS-26,SONALIKA-26	10006367AA	SPECIAL NUT(PARKING BRAKE)	1		NEW PART ADDED FROM	CMKSF601965G 26
31	SOLIS-24 EPA	20004915AB	HEX NYLOC NUT M6 8	1			
32	SOLIS-26,SONALIKA-26	04040106020	HEX SCREW M6*1*20	1		NEW PART ADDED FROM	CMKSF601965G 26
32	SOLIS-24 EPA	20005569AA	HEX SCREW M6X1X20	1			

07120A-1/1

PTO LAY SHAFT SUB-ASSY

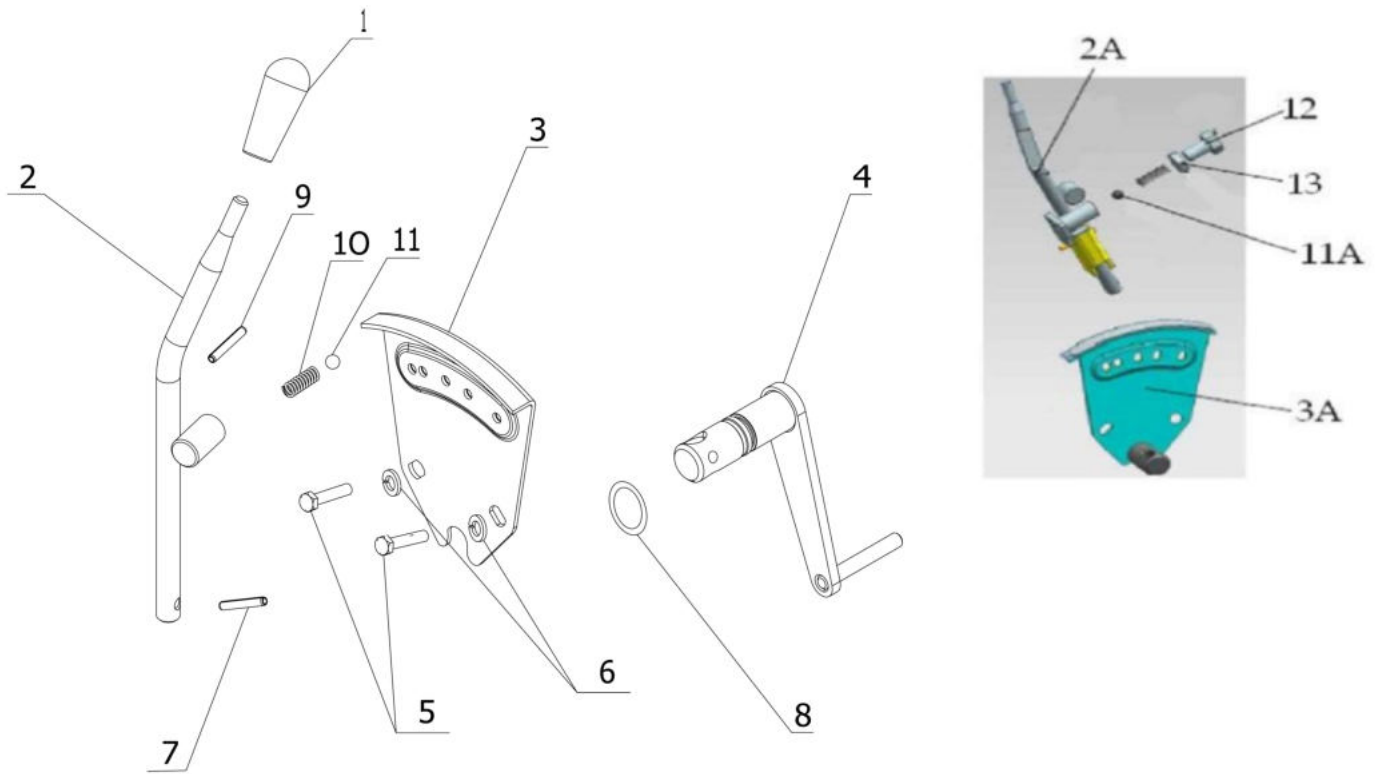


Sr.	Model	Item Code	Description	Qty	Int.	Remarks	Cut Off
1	SOLIS-26, SONALIKA-26	20004368AA	BALL BEARING LS10	1		INTERCHANGEABLE WITH 20004368AC (ROHS)	
1	SOLIS-26, SONALIKA-26, SOLIS-24	20004368AC	BALL BEARING LS10	1	YES		AMGSF549244G
1	SOLIS-26, SONALIKA-26	20004368AC	BALL BEARING LS10	1		(ROHS) INTERCHANGEABLE WITH 20004368AA	
2	SOLIS-26, SONALIKA-26, SOLIS-24	20004134AA	EXTERNAL CIRCLIP A - 25	1			
3	SOLIS-26, SONALIKA-26	10050754AF	PTO LAY SHAFT	1			
3	SOLIS-26, SONALIKA-26, SOLIS-24	10054658AA	PTO LAY SHAFT	1			

Sr.	Model	Item Code	Description	Qty	Int.	Remarks	Cut Off
4	SOLIS-26, SONALIKA-26, SOLIS-24	20003766AA	EXTERNAL CIRCLIP A-26	1			
5	SOLIS-26, SONALIKA-26, SOLIS-24	10050728AC	WASHER (PTO)	1			
6	SOLIS-26, SONALIKA-26	10050729AC	PTO FIXED GEAR Z-30	1			
6	SOLIS-26, SONALIKA-26, SOLIS-24	10050729AD	PTO FIXED GEAR Z-30	1	YES		KMKSU525476G 26D
6	SOLIS-26, SONALIKA-26, SOLIS-24	10050729AC	PTO FIXED GEAR Z-30	1			
6	SOLIS-26, SONALIKA-26, SOLIS-24	10050729AD	PTO FIXED GEAR Z-30	1	YES		JYJSF578100G2 2
7	SOLIS-26, SONALIKA-26, SOLIS-24	10050728AC	WASHER (PTO)	1			
8	SOLIS-26, SONALIKA-26, SOLIS-24	20004276AA	EXTERNAL CIRCLIP A-28 IS:3075	1			
9	SOLIS-26, SONALIKA-26	10050727AC	PTO SLIDING GEAR Z-19 & 26	1			
9	SOLIS-26, SONALIKA-26	10050727BB	PTO SLIDING GEAR Z-19 & 26	1			
9	SOLIS-24	10050727BD	PTO SLIDING GEAR Z-19 & 26	1			
9	SOLIS-26,SONALIKA-26	10050727BD	PTO SLIDING GEAR Z-19 & 26	1			
9	SOLIS-26,SONALIKA-26	10057196AA	PTO GEAR Z-23	1	NO	CHANGE IN PTO GEAR RATIO	MEMCMKSF600 385G26
10	SOLIS-26, SONALIKA-26, SOLIS-24	20004274AA	INTERNAL CIRCLIP B-58 IS:3075	2			
11	SOLIS-26, SONALIKA-26, SOLIS-24	20004134AA	EXTERNAL CIRCLIP A - 25	1			

07130A-1/1

PTO LEVER ASSY.



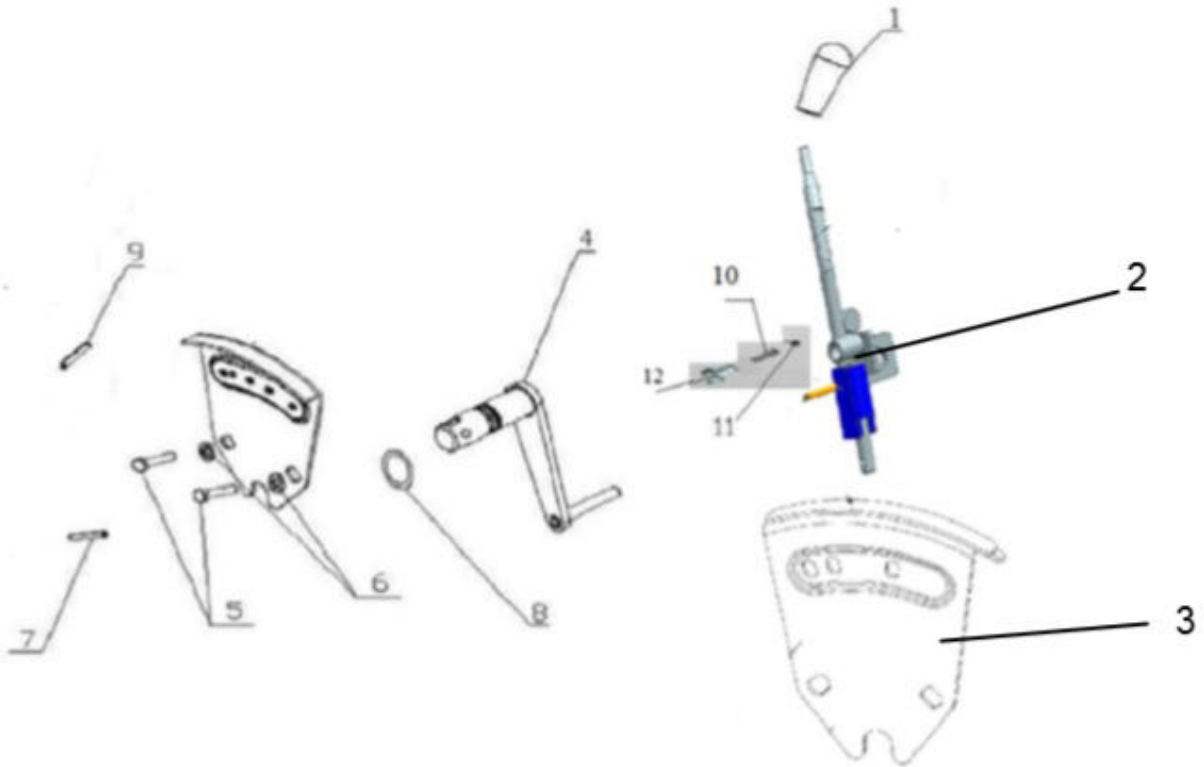
Sr.	Model	Item Code	Description	Qty	Int.	Remarks	Cut Off
1	SOLIS-26, SONALIKA-26	10004846AB	KNOB (ROD ASSY / HANDLER PTO)	1		INTERCHANGEABLE WITH 300007872A (ROHS)	
1	SOLIS-26, SONALIKA-26	10004846AC	KNOB (ROD ASSY / HANDLER PTO)	1			
1	SOLIS-26, SONALIKA-26	300007872A	KNOB (ROD ASSY / HANDLER PTO)	1	YES	(ROHS) INTERCHANGEABLE WITH 10004846AB	
2A	SOLIS-26, SONALIKA-26, SOLIS-24	10056151AC	LEVER ASSY PTO	1	YES		MEMBMKSF536 253G26
2	SOLIS-26, SONALIKA-26	10053646AA	PTO LEVER ASSY	1			
2	SOLIS-26, SONALIKA-26	10053646BA	PTO LEVER ASSY	1	NO		KMKSU526823G 26D

Sr.	Model	Item Code	Description	Qty	Int.	Remarks	Cut Off
2A	SOLIS-26, SONALIKA-26	10056151AB	LEVER ASSY PTO	1	NO	INTERCHANGEABLE WITH 10056151AC (ROHS)	CMKSU533919G26D, CMKSU533128G26
2A	SOLIS-26, SONALIKA-26	10056151AC	LEVER ASSY PTO	1		(ROHS) INTERCHANGEABLE WITH 10056151AB	
3A	SOLIS-26,SONALIKA-26	10056755AB	LOCKING PLATE (FOR 2 SPEED)	1	NO	CHANGE IN PTO GEAR RATIO	MEMCMKSF600385G26
3	SOLIS-26, SONALIKA-26	10050755AD	LOCKING PLATE	1			
3A	SOLIS-26, SONALIKA-26	10056160AB	LOCKING PLATE (FOR 3 SPEED)	1	NO		CMKSU533919G26D, CMKSU533128G26
3	SOLIS-26,SONALIKA-26 WITH ADDC FEATURE	10053519AA	LOCKING PLATE GT-20	1			
3A	SOLIS-26,SONALIKA-26 WITH ADDC FEATURE	10056161AB	LOCKING PLATE (FOR 2 SPEED)	1	NO		CMKSU533919G26D, CMKSU533128G26
3A	SOLIS-26,SONALIKA-26	10056160AC	LOCKING PLATE (FOR 3 SPEED)	1			
3A	SOLIS-24	10056160AC	LOCKING PLATE (FOR 3 SPEED)	1			
4	SOLIS-26, SONALIKA-26, SOLIS-24	10050741AG	PIN ASSY PTO	1			
4	SOLIS-26,SONALIKA-26	10056682AB	PIN ASSY. PTO	1	NO	CHANGE IN PTO GEAR RATIO	MEMCMKSF600385G26
5	SOLIS-26, SONALIKA-26	20002059AA	HEX HEAD SCREW M8X1.25X16 8-8 SA2JS	2		INTERCHANGEABLE WITH 20005559AA (ROHS)	
5	SOLIS-24	20002059AA	HEX HEAD SCREW M8X1.25X16 8-8 SA2JS	2		INTERCHANGEABLE WITH 20005559AA (ROHS)	
5	SOLIS-26, SONALIKA-26	20005559AA	HEX HEAD SCREW M8X1.25X16 -8.8 SA4GS	2		(ROHS) INTERCHANGEABLE WITH 20002059AA	
5	SOLIS-24	20005559AA	HEX HEAD SCREW M8X1.25X16 -8.8 SA4GS	2		(ROHS) INTERCHANGEABLE WITH 20002059AA	
6	SOLIS-26, SONALIKA-26	04030400008	SPRING WASHER B-8	2		INTERCHANGEABLE WITH 20005517AA (ROHS)	
6	SOLIS-24	20003670AC	SPRING WASHER B-8 TYPE-A IS: 3063-1972	2			
6	SOLIS-26, SONALIKA-26	20005517AA	SPRING WASHER B-8 TYPE A IS: 3067-1972	2	YES	(ROHS) INTERCHANGEABLE WITH 04030400008	
7	SOLIS-26, SONALIKA-26, SOLIS-24	20003804AA	SPRING COTTER SLEEVE 5X22	1			
8	SOLIS-24	20004142AC	O-RING Ø18 X Ø2.0	1			
8	SOLIS-26, SONALIKA-26	20004142AB	O-RING Ø18 X Ø2.0	1			

Sr.	Model	Item Code	Description	Qty	Int.	Remarks	Cut Off
9	SOLIS-26, SONALIKA-26, SOLIS-24	20003130AA	SPRING COTTER SLEEVE (SPRING PIN) DIA4*3	1			
10	SOLIS-26, SONALIKA-26	10050707AA	SPRING	1			
10	SOLIS-26, SONALIKA-26	10053731AA	SPRING (FOR GT 20 4WD)	1	NO	INTERCHANGEABLE WITH 300028591A (ROHS)	KMKSU526823G 26D
10	SOLIS-26, SONALIKA-26, SOLIS-24	10053731AA	SPRING (FOR GT 20 4WD)	2	NO	INTERCHANGEABLE WITH 300028591A (ROHS)	AMGSE406480G , KMKSU529195G 26D
10	SOLIS-26, SONALIKA-26	300028591A	SPRING (FOR GT 20 4WD)	1	YES	(ROHS) INTERCHANGEABLE WITH 10053731AA	
10	SOLIS-26, SONALIKA-26, SOLIS-24	300028591A	SPRING (FOR GT 20 4WD)	2	YES	(ROHS) INTERCHANGEABLE WITH 10053731AA	
11	SOLIS-26, SONALIKA-26	20004335AA	BALL DIA 8.731 GRADE 40 (IS:2898)	1			
11	SOLIS-26, SONALIKA-26, SOLIS-24	10020861AB	BALL 10 DIA GRADE 20 IS:2898	1	NO		KMKSU526823G 26D
11A	SOLIS-26, SONALIKA-26, SOLIS-24	20004335AA	BALL DIA 8.731 GRADE 40 (IS:2898)	1	NO		CMKSU533919G 26D, CMKSU533128G 26
12	SOLIS-26, SONALIKA-26, SOLIS-24	20003241AB	HEX SCREW M12*1.75*20	1		NEW PART ADDED WITH 10056151AB FROM	CMKSU533919G 26D, CMKSU533128G 26
13	SOLIS-26, SONALIKA-26, SOLIS-24	20003371AB	HEX LOCK NUT M12 SA3JS	1		NEW PART ADDED WITH 10056151AB FROM	CMKSU533919G 26D, CMKSU533128G 26

07131A-1/1

PTO LEVER ASSY

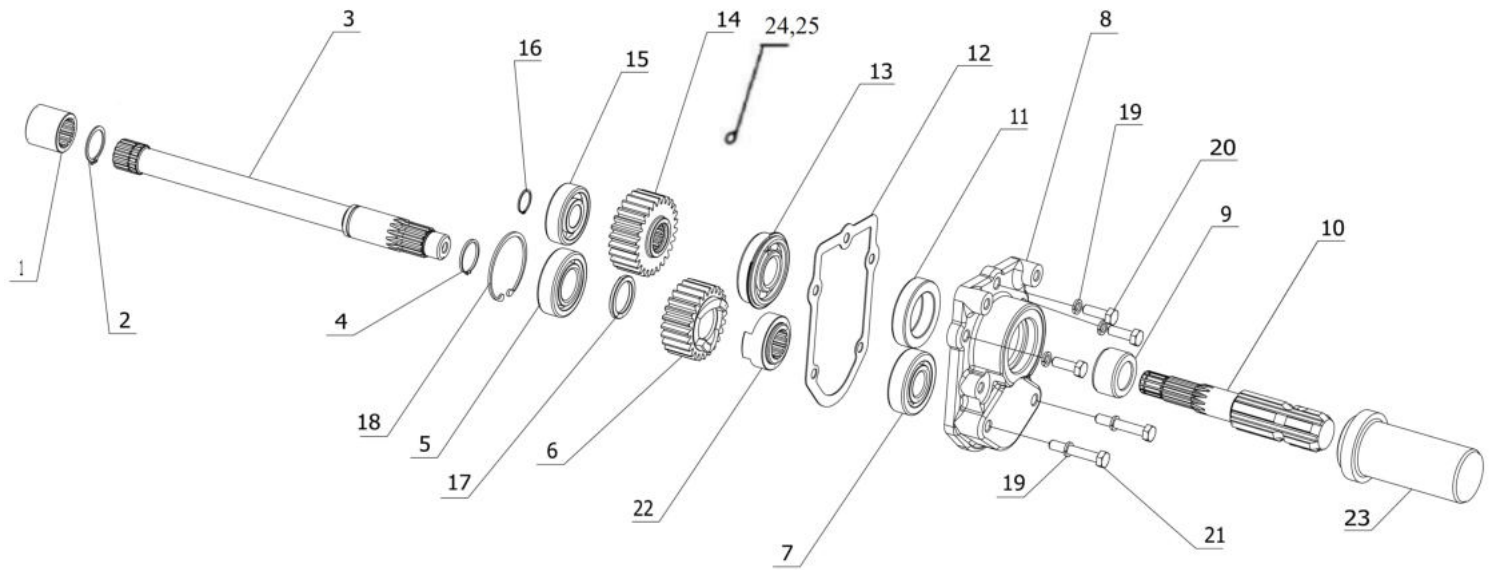


Sr.	Model	Item Code	Description	Qty	Int.	Remarks	Cut Off
1	ALL MODELS	300007872A	KNOB (ROD ASSY / HANDLER PTO)	1			
2	ALL MODELS	300009604B	LEVER ASSY PTO	1			
3	SOLIS-26 FACELIFT	10056755AC	LOCKING PLATE (FOR 2 SPEED)	1			
3	SOLIS-24 EPA	300021433A	LOCKING PLATE SINGLE SPEED	1			
4	ALL MODELS	10056682AB	PIN ASSY. PTO	1			
5	ALL MODELS	20002059AA	HEX HEAD SCREW M8X1.25X16 8-8 SA2JS	2		INTERCHANGEABLE WITH 20005559AA (ROHS)	
5	ALL MODELS	20005559AA	HEX HEAD SCREW M8X1.25X16 -8.8 SA4GS	2		(ROHS) INTERCHANGEABLE WITH	

Sr.	Model	Item Code	Description	Qty	Int.	Remarks	Cut Off
						20002059AA	
6	SOLIS-26 FACELIFT	04030400008	SPRING WASHER B-8	2		INTERCHANGEABLE WITH 20005517AA (ROHS)	
6	SOLIS-24 EPA	20005517AA	SPRING WASHER B-8	2			
6	SOLIS-26 FACELIFT	20005517AA	SPRING WASHER B-8 TYPE A IS: 3067-1972	2	YES	(ROHS) INTERCHANGEABLE WITH 04030400008	
7	ALL MODELS	20003804AA	SPRING COTTER SLEEVE 5X22	1			
8	SOLIS-26 FACELIFT	20004142AB	O-RING Ø18 X Ø2.0	1			
8	SOLIS-24 EPA	20004142AC	O-RING Ø18 X Ø2.0	1			
9	ALL MODELS	20003130AA	SPRING COTTER SLEEVE (SPRING PIN) DIA4*3	1			
10	SOLIS-26 FACELIFT	10053731AA	SPRING (FOR GT 20 4WD)	2		INTERCHANGEABLE WITH 300028591A (ROHS)	
10	SOLIS-24 EPA	300028591A	SPRING (FOR GT 20 4WD)	2			
10	SOLIS-26 FACELIFT	300028591A	SPRING (FOR GT 20 4WD)	2	YES	(ROHS) INTERCHANGEABLE WITH 10053731AA	
11	ALL MODELS	20004335AA	BALL DIA 8.731 GRADE 40 (IS:2898)	1			
12	SOLIS-26 FACELIFT	10065128AA	SCREW M12*1.75*16	1		INTERCHANGEABLE WITH 300031855A (ROHS)	
12	SOLIS-24 EPA	300031855A	SCREW M12*1.75*16	1			
12	SOLIS-26 FACELIFT	300031855A	HEX HEAD SCREW M12X1.75X16	1		(ROHS) INTERCHANGEABLE WITH 10065128AA	

07140A-1/1

PTO INTERMEDIATE SHAFT, GEARS & END COVER ASSY



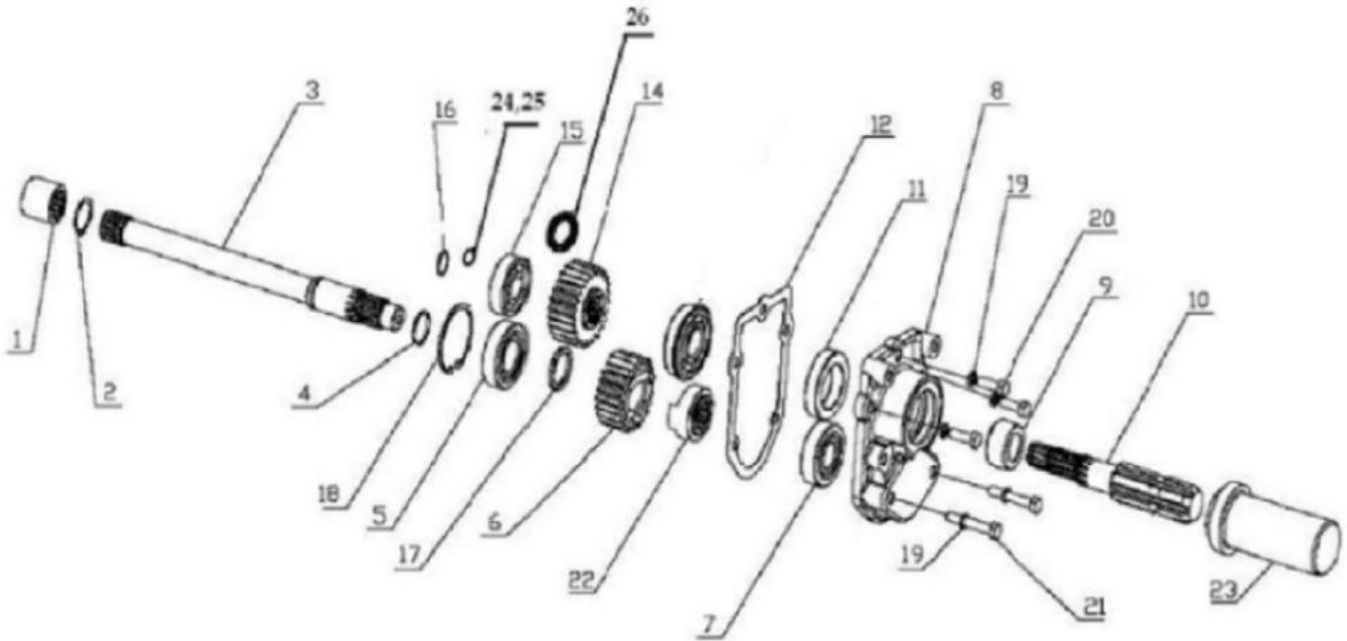
Sr.	Model	Item Code	Description	Qty	Int.	Remarks	Cut Off
1	SOLIS-26, SONALIKA-26, SOLIS-24	10050735AB	SLEEVE	1			
2	SOLIS-26, SONALIKA-26, SOLIS-24	20003766AA	EXTERNAL CIRCLIP A-26	1			
3	SOLIS-26, SONALIKA-26, SOLIS-24	10050689BA	PTO INTERMEDIATE SHAFT	1			
4	SOLIS-26, SONALIKA-26, SOLIS-24	20004583AA	EXTERNAL CIRCLIP 28 (IS:3075 P-I HEAVY)	1			
5	SOLIS-26, SONALIKA-26	20004123AA	BRG. 62/28	1		INTERCHANGEABLE WITH 20004123AB (ROHS)	
5	SOLIS-24	20004123AB	BRG. 62/28	1			
5	SOLIS-26, SONALIKA-26	20004123AB	BRG. 62/28	1	YES	(ROHS) INTERCHANGEABLE WITH	

Sr.	Model	Item Code	Description	Qty	Int.	Remarks	Cut Off
						20004123AA	
6	SOLIS-26,SONALIKA-26	10056740AB	PTO GEAR Z-20 (FINISH)	1	NO	CHANGE IN PTO GEAR RATIO	MEMCMKSF600385G26
6	SOLIS-26, SONALIKA-26, SOLIS-24	10050737CA	PTO GEAR Z-24	1			
7	SOLIS-26, SONALIKA-26	20004122AA	BALL BEARING 63/22	1		INTERCHANGEABLE WITH 20004122AB (ROHS)	
7	SOLIS-24	20004122AB	BALL BEARING 63/22	1			
7	SOLIS-26, SONALIKA-26	20004122AB	BALL BEARING 63/22	1	YES	(ROHS) INTERCHANGEABLE WITH 20004122AA	
8	SOLIS-26, SONALIKA-26, SOLIS-24	10050691AE	PTO END COVER	1			
9	SOLIS-26, SONALIKA-26	10051204AE	SLEEVE (PTO)	1			
9	SOLIS-26, SONALIKA-26, SOLIS-24	10051204BA	SLEEVE (PTO)	1	NO		EMGSU504715G
10	SOLIS-26, SONALIKA-26	10050690CB	PTO SHAFT	1	NO		EMGSU504715G
10	SOLIS-26,SONALIKA-26 EXCEPT PADDY SPECIAL, SOLIS-24	10050690DA	PTO SHAFT	1	NO		MEMGMGSF554111G
10	SOLIS-26, SONALIKA-26	10050690BA	PTO SHAFT	1			
10	SOLIS-26, SONALIKA-26	10050690CA	PTO SHAFT	1			
11	SOLIS-26, SONALIKA-26	20004002AA	OIL SEAL (12M) 40X60X18.5	1		INTERCHANGEABLE WITH 20004002AB (ROHS)	
11	SOLIS-24	20004002AB	OIL SEAL (12M) 40X60X18.5	1			
11	SOLIS-26, SONALIKA-26	20004002AB	OIL SEAL (12M) 40X60X18.5	1	YES	(ROHS) INTERCHANGEABLE WITH 20004002AA	
12	SOLIS-26, SONALIKA-26	10051201AA	GASKET FOR PTO END COVER	1		INTERCHANGEABLE WITH 10054281AA (ROHS)	
12	SOLIS-24	10054281AA	GASKET PTO END COVER	1			
12	SOLIS-26, SONALIKA-26	10054281AA	GASKET PTO END COVER	1	YES	(ROHS) INTERCHANGEABLE WITH 10051201AA	
13	SOLIS-26, SONALIKA-26	20004152AA	BALL BRG 6305 WITH SNAP RING	1			
13	SOLIS-26, SONALIKA-26	04000430062	RADIAL B/BEARING 30/62X16 (6206NR)	1	NO	INTERCHANGEABLE WITH 20005080AA (ROHS)	EMGSU504715G
13	SOLIS-26, SONALIKA-26	20005080AA	RADIAL B/BEARING 30/62*16 (6206NR)	1		(ROHS) INTERCHANGEABLE WITH 04000430062	
14	SOLIS-26, SONALIKA-26, SOLIS-24	10050739EB	PTO GEAR Z-26	1	NO		EMGSU504715G
14	SOLIS-26,SONALIKA-26 WITH ADDC MODELS	10054232BB	PTO GEAR (Z-29) (FINISH NO.)	1			

Sr.	Model	Item Code	Description	Qty	Int.	Remarks	Cut Off
14	SOLIS-26,SONALIKA-26	10056745AA	PTO GEAR Z-31 (FINISH)	1	NO	CHANGE IN PTO GEAR RATIO	MEMCMKSF600385G26
14	SOLIS-26,SONALIKA-26 WITH ADDC MODELS	10056636AA	PTO GEAR Z-30 (FINISH)	1	NO		GMKSF557697G26D
14	SOLIS-26, SONALIKA-26	10050739DA	PTO GEAR Z-26	1			
14	SOLIS-26, SONALIKA-26	10050739EA	PTO GEAR Z-26	1			
15	SOLIS-26, SONALIKA-26	20004951AA	BALL BEARING 6304/22	1	NO	INTERCHANGEABLE WITH 20004951AB (ROHS)	EMGSU504715G
15	SOLIS-26, SONALIKA-26, SOLIS-24	20004951AB	BALL BEARING 6304/22	1			
15	SOLIS-24	20003477AB	BEARING 6304	1			
15	SOLIS-26, SONALIKA-26	20003477AA	BEARING 6304	1		INTERCHANGEABLE WITH 20003477AB (ROHS)	
15	SOLIS-26, SONALIKA-26	20004951AB	BALL BEARING 6304/22	1	YES	(ROHS) INTERCHANGEABLE WITH 20004951AA	
15	SOLIS-26, SONALIKA-26	20003477AB	BEARING 6304	1	YES	(ROHS) INTERCHANGEABLE WITH 20003477AA	
16	SOLIS-26, SONALIKA-26, SOLIS-24	04020200020	EXTERNAL CIRCLIP A-20	1			
16	SOLIS-26, SONALIKA-26	04020200022	EXTERNAL CIRCLIP A-22	1	NO		EMGSU504715G
16	SOLIS-26,SONALIKA-26 EXCEPT PADDY SPECIAL, SOLIS-24	20005217AA	CIRCLIP A-22X1.75XH IS:3075	1	NO		MEMGMGSF554111G
17	SOLIS-26, SONALIKA-26, SOLIS-24	10050736AB	SPACER (PTO INTERMEDIATE SHAFT)	1			
18	SOLIS-26, SONALIKA-26, SOLIS-24	20004274AA	INTERNAL CIRCLIP B-58 IS:3075	1			
19	SOLIS-26, SONALIKA-26	04030400008	SPRING WASHER B-8	5		INTERCHANGEABLE WITH 20005517AA (ROHS)	
19	SOLIS-24	20003670AC	SPRING WASHER B-8 TYPE-A IS: 3063-1972	5			
19	SOLIS-26, SONALIKA-26	20005517AA	SPRING WASHER B-8 TYPE A IS: 3067-1972	5	YES	(ROHS) INTERCHANGEABLE WITH 04030400008	
20	SOLIS-26, SONALIKA-26	20001089AA	HEX. HEAD SCREW M8 X 1.25-25 8-8 SA2JS	3			
20	SOLIS-24	20001089AA	HEX. HEAD SCREW M8 X 1.25-25 8-8 SA2JS	3			
21	SOLIS-26, SONALIKA-26	20003717AA	HEX. HEAD SCREW M8 X 1.25 - 50 8-8 SA2JS	2		INTERCHANGEABLE WITH 20005658AA (ROHS)	
21	SOLIS-24	20003717AB	HEX. HEAD SCREW M8 X 1.25 - 50 8-8 SA4JS	2			
21	SOLIS-26, SONALIKA-26	20005658AA	HEX, HEAD SCREW M8 X 1.25 - 50 SA2JS	2		(ROHS) INTERCHANGEABLE WITH 20003717AA	
22	SOLIS-26, SONALIKA-26, SOLIS-24	10050738AC	LOCKING HUB	1			

Sr.	Model	Item Code	Description	Qty	Int.	Remarks	Cut Off
22	SOLIS-26,SONALIKA-26	10050738AD	LOCKING HUB	1	NO	CHANGE IN PTO GEAR RATIO	MEMCMKSF600385G26
23	SOLIS-26, SONALIKA-26	10008453AA	PTO SHAFT COVER	1		INTERCHANGEABLE WITH 10008453AC (ROHS)	
23	SOLIS-24	10008453AC	PTO SHAFT COVER	1			
23	SOLIS-26, SONALIKA-26	10008453AC	PTO SHAFT COVER	1		(ROHS) INTERCHANGEABLE WITH 10008453AA	
24	SOLIS-26, SONALIKA-26, SOLIS-24	10055032AA	SHIM 0.2 (PTO OUT PUT SHAFT ASSY)	2		NEW PART ADDED WITH IMPLEMENTATION OF PTO GEAR Z-26 (10050739EB) FROM	EMGSU504715G
25	SOLIS-26, SONALIKA-26, SOLIS-24	10055033AA	SHIM 0.3 (PTO OUT PUT SHAFT ASSY)	2		NEW PART ADDED WITH IMPLEMENTATION OF PTO GEAR Z-26 (10050739EB) FROM	EMGSU504715G
26	SOLIS-26, SONALIKA-26, SOLIS-24	10055034AA	SPACER (PTO OUT PUT SHAFT AASY)	1		NEW PART ADDED WITH IMPLEMENTATION OF PTO GEAR Z-26 (10050739EB) FROM	EMGSU504715G

07141A-1/1

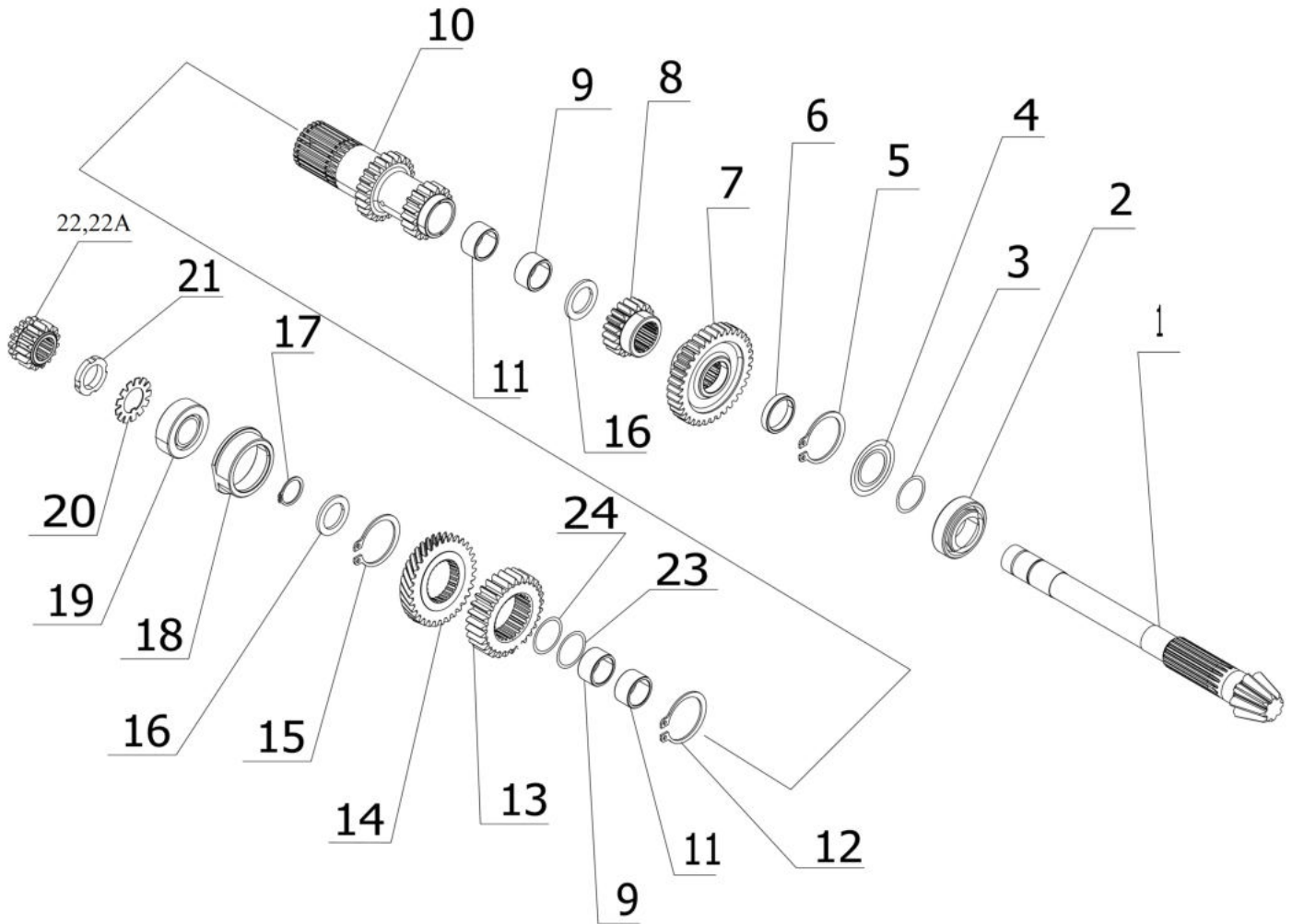
PTO INTERMEDIATE SHAFT, GEARS & END
COVER ASSY

Sr.	Model	Item Code	Description	Qty	Int.	Remarks	Cut Off
1	ALL MODELS	10050735AB	SLEEVE	1			
2	ALL MODELS	20003766AA	EXTERNAL CIRCLIP A-26	1			
3	ALL MODELS	10050689BA	PTO INTERMEDIATE SHAFT	1			
4	ALL MODELS	20004583AA	EXTERNAL CIRCLIP 28 (IS:3075 P-I HEAVY	1			
5	ALL MODELS	20004123AB	BRG. 62/28	1			
6	ALL MODELS	10054237AA	PTO SLIDING GEAR (Z-21) (FINISH NO.)	1			
7	ALL MODELS	20004122AB	BALL BEARING 63/22	1			
8	ALL MODELS	10050691AE	PTO END COVER	1			

Sr.	Model	Item Code	Description	Qty	Int.	Remarks	Cut Off
9	ALL MODELS	10051204BA	SLEEVE (PTO)	1			
10	ALL MODELS	300022246A	PTO SHAFT	1			
11	ALL MODELS	20004002AB	OIL SEAL (12M) 40X60X18.5	1			
12	ALL MODELS	10054281AA	GASKET PTO END COVER	1			
14	ALL MODELS	10056636AA	PTO GEAR Z-30 (FINISH)	1			
15	ALL MODELS	20004951AB	BALL BEARING 6304/22	1			
15	ALL MODELS	20003477AB	BEARING 6304	1			
16	ALL MODELS	04020200020	EXTERNAL CIRCLIP A-20	1			
16	ALL MODELS	20005217AA	CIRCLIP A-22X1.75XH IS:3075	1			
17	ALL MODELS	10050736AB	SPACER (PTO INTERMEDIATE SHAFT)	1			
18	ALL MODELS	20004274AA	INTERNAL CIRCLIP B-58 IS:3075	1			
19	ALL MODELS	20005517AA	SPRING WASHER B-8 TYPE-A IS: 3063-1972	5			
20	ALL MODELS	20005564AA	HEX HEAD SCREW M8X1.25-25 -8.8 SA4GS	3			
21	ALL MODELS	20005658AA	HEX HEAD SCREW M8X1.25-50 SA4GS	2			
22	ALL MODELS	10050738AD	LOCKING HUB	1			
23	ALL MODELS	10008453AC	PTO SHAFT COVER	1			
24	ALL MODELS	10055032AA	SHIM 0.2 (PTO OUT PUT SHAFT ASSY)	2			
25	ALL MODELS	10055033AA	SHIM 0.3 (PTO OUT PUT SHAFT ASSY)	2			
26	ALL MODELS	10055034AA	SPACER (PTO OUT PUT SHAFT AASY)	1			

07150A-1/1

TAIL PINION SHAFT ASSY



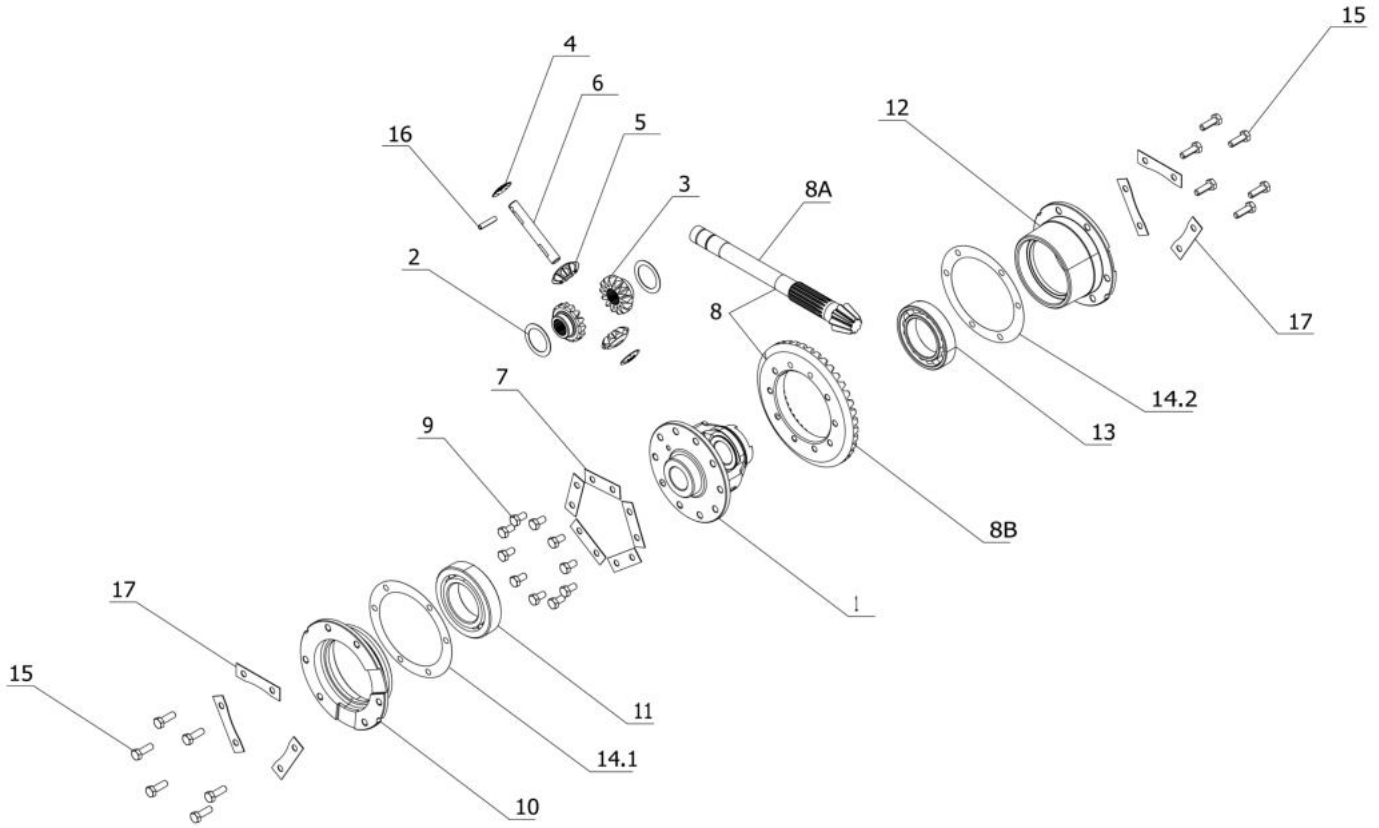
Sr.	Model	Item Code	Description	Qty	Int.	Remarks	Cut Off
1	SOLIS-26, SONALIKA-26	10050768AE	TAIL PINION SHAFT	1			
2	SOLIS-24	20004121AB	TR BEARING 32006	1			
2	SOLIS-26, SONALIKA-26	20004121AA	TR BEARING 32006	1		INTERCHANGEABLE WITH 20004121AB (ROHS)	
2	SOLIS-26, SONALIKA-26	20004121AB	TR BEARING 32006	1	YES	(ROHS) INTERCHANGEABLE WITH 20004121AA	
3(i)	SOLIS-26, SONALIKA-26, SOLIS-24	10050793AA	SHIMS SMALL (T.P. SHAFT)-0.20	1			
3(ii)	SOLIS-26, SONALIKA-26, SOLIS-24	10051281AA	SHIMS SMALL (T.P. SHAFT)-0.30	1			

Sr.	Model	Item Code	Description	Qty	Int.	Remarks	Cut Off
3(iii)	SOLIS-26, SONALIKA-26, SOLIS-24	10051150AA	SHIMS SMALL (T.P. SHAFT)-0.50	1			
4(i)	SOLIS-26, SONALIKA-26, SOLIS-24	10050799AA	SHIMS BIG (T.P. SHAFT)-0.20	1			
4(ii)	SOLIS-26, SONALIKA-26, SOLIS-24	10051280AA	SHIMS BIG (T.P. SHAFT)-.30	1			
4(iii)	SOLIS-26, SONALIKA-26, SOLIS-24	10051155AA	SHIMS BIG (T.P. SHAFT)-0.50	1			
5	SOLIS-26, SONALIKA-26, SOLIS-24	20004114AA	INTERNAL CIRCLIP B-55	1			
6	SOLIS-26, SONALIKA-26, SOLIS-24	10050789AB	SPACER BIG (REAR AXLE)	1			
7	SOLIS-26, SONALIKA-26, SOLIS-24	10050784AB	FIXED GEAR LOW Z-36	1			
8	SOLIS-26, SONALIKA-26, SOLIS-24	10050779AB	FIXED GEAR Z-18 (HI GEAR)	1			
9	SOLIS-26, SONALIKA-26	20004145AA	NEEDLE CAGE BEARING (31X25X17)	2		INTERCHANGE ABLE WITH 20004145AB (ROHS)	
9	SOLIS-24	20004145AB	NEEDLE CAGE BEARING (31X25X17)	2			
9	SOLIS-26, SONALIKA-26	20004145AB	NEEDLE CAGE BEARING (31X25X17)	2		(ROHS) INTERCHANGE ABLE WITH 20004145AA	
10	SOLIS-26, SONALIKA-26	10050730AC	LAY SHAFT	1			
10	SOLIS-26, SONALIKA-26	10050730BA	LAY SHAFT	1			
10	SOLIS-26,SONALIKA-26 EXCEPT ADDC, SOLIS-24	10050730BB	LAY SHAFT	1	YES		KMKSU525476G 26D
10	SOLIS-26, SONALIKA-26, SOLIS-24	10050730AC	LAY SHAFT	1			
10	SOLIS-26, SONALIKA-26, SOLIS-24	10050730BB	LAY SHAFT	1	NO		JYJSF578100G2 2
11	SOLIS-26, SONALIKA-26	20004145AA	NEEDLE CAGE BEARING (31X25X17)	2		INTERCHANGE ABLE WITH 20004145AB (ROHS)	
11	SOLIS-24	20004145AB	NEEDLE CAGE BEARING (31X25X17)	2			
11	SOLIS-26, SONALIKA-26	20004145AB	NEEDLE CAGE BEARING (31X25X17)	2		(ROHS) INTERCHANGE ABLE WITH 20004145AA	
12	SOLIS-26, SONALIKA-26, SOLIS-24	04020200045	EXTERNAL CIRCLIP A - 45	1			
13	SOLIS-26, SONALIKA-26	10050726AC	FIXED GEAR Z-29 (3RD)	1			
13	SOLIS-26, SONALIKA-26, SOLIS-24	10050726AE	FIXED GEAR Z-29 (3RD)	1			
13	SOLIS-26,SONALIKA-26	10057089AA	FIXED GEAR 3RD Z-27 (FINISH)	1	NO	CHANGE IN PTO GEAR RATIO	MEMCMKSF600 385G26
13	SOLIS-24 EPA	10057089AA	FIXED GEAR Z-27 (3RD)	1			
14	SOLIS-26, SONALIKA-26	10053233BA	C.M. GEAR Z-32	1			
14	SOLIS-26,SONALIKA-26 WITH ADDC MODELS	10056640AA	CM GEAR Z-31 (FINISH)	1	NO		GMKSF557697G 26D
14	SOLIS-26,SONALIKA-26	10056640AA	CM GEAR Z-31 (FINISH)	1	NO	CHANGE IN PTO GEAR RATIO (PART MODIFIED	MEMCMKSF600 385G26

Sr.	Model	Item Code	Description	Qty	Int.	Remarks	Cut Off
						FROM 10053233BA)	
14	SOLIS-24	10053233BA	C.M. GEAR Z-32	1			
14	SOLIS-26, SONALIKA-26	10053233AA	C.M. GEAR Z-32	1			
14	SOLIS-24 EPA	10056640AA	CM GEAR Z-31 (FINISH)	1			
15	SOLIS-26, SONALIKA-26, SOLIS-24	04020200045	EXTERNAL CIRCLIP A - 45	1			
16	SOLIS-26, SONALIKA-26, SOLIS-24	10050776AC	WASHER (T.P. SHAFT)	2			
17	SOLIS-26, SONALIKA-26, SOLIS-24	20004324AA	EXTERNAL CIRCLIP A-25 (HEAVY DUTY) IS:307	1			
18	SOLIS-26, SONALIKA-26, SOLIS-24	10050775AC	RING	1			
19	SOLIS-26, SONALIKA-26	20004120AA	TR BEARING (32205)	1		INTERCHANGE ABLE WITH 20004120AB (ROHS)	
19	SOLIS-24	20004120AB	TR BEARING (32205)	1			
19	SOLIS-26, SONALIKA-26	20004120AB	TR BEARING (32205)	1	YES	(ROHS) INTERCHANGE ABLE WITH 20004120AA	
20	SOLIS-26, SONALIKA-26, SOLIS-24	10050774AC	LOCKING WASHER	1			
21	SOLIS-26, SONALIKA-26, SOLIS-24	10050773AB	WITHDRAWL NUT	1			
22	SOLIS-26, SONALIKA-26, SOLIS-24 EPA	10050724AB	SLIDING GEAR Z-15 (4WD)	1			
22A	SOLIS-26, SONALIKA-26	10054115AA	SLIDING GEAR 4WD Z14	1	YES AS A SET	10050724AB, 10050684AC BOTH INTERCHANGE AS A SET WITH 10054115AA, 10056466AA FOR BOM 201IA5455JDAJ UD, 201IA5543JDAJ UD, 201IA5549JDAJ UD	MEMRMKSNSC JH03419
23	SOLIS-26, SONALIKA-26, SOLIS-24	10051148AA	SHIM 0.2MM FOR LAY SHAFT	1			
24	SOLIS-26, SONALIKA-26, SOLIS-24	10051284AA	SHIM 0.3MM FOR LAY SHAFT	1			

07160A-1/1

DIFFERENTIAL CAGE & CROWN WHEEL ASSY



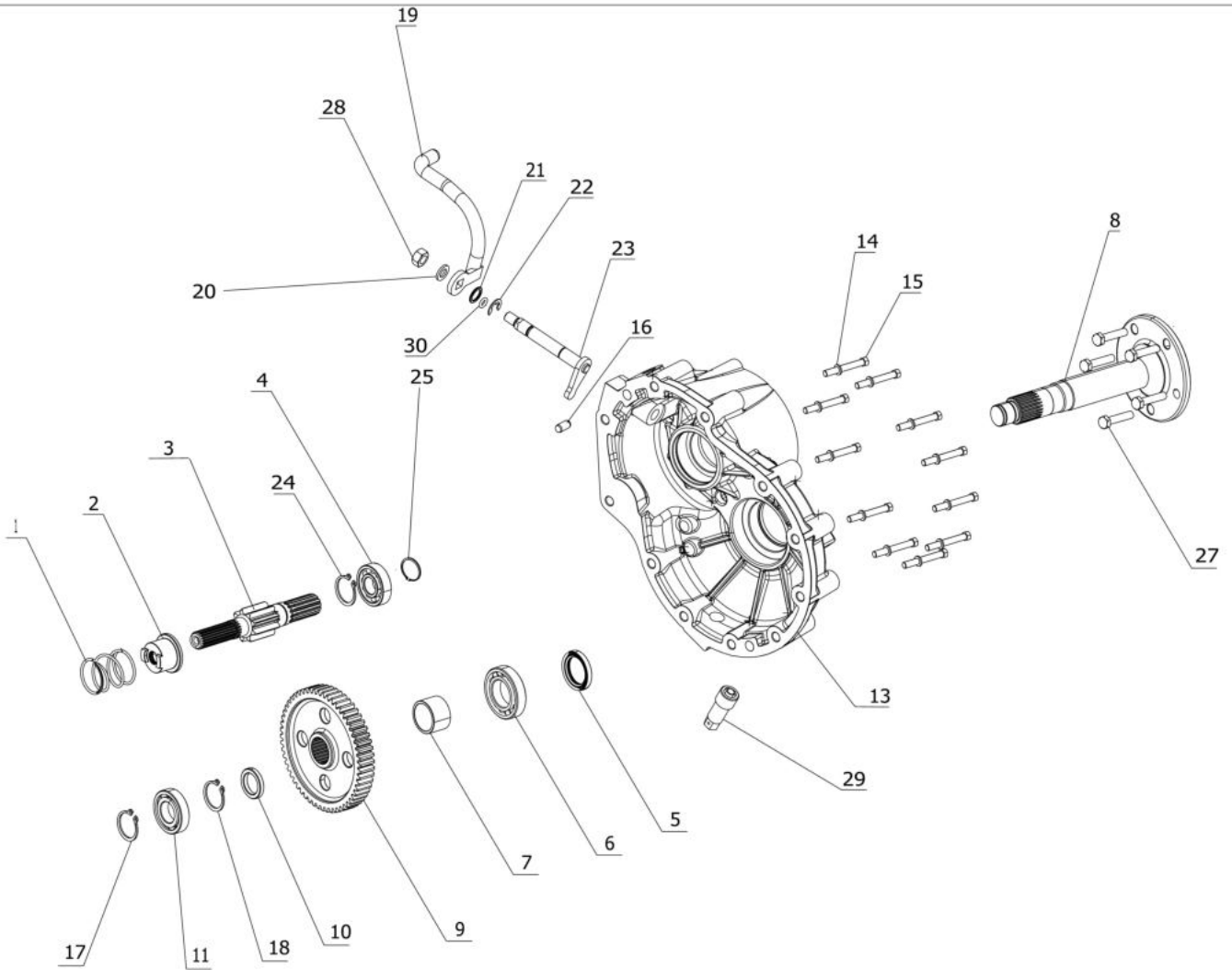
Sr.	Model	Item Code	Description	Qty	Int.	Remarks	Cut Off
1	SOLIS-26, SONALIKA-26, SOLIS-24	10050813AF	DIFF. CAGE	1			
2	SOLIS-26, SONALIKA-26, SOLIS-24	10030009AC	DIFFERENTIAL SIDE GEAR LINER	2			
3	SOLIS-26, SONALIKA-26, SOLIS-24	10030005AG	DIFFERENTIAL SIDE GEAR (14T)	2			
4	SOLIS-26, SONALIKA-26, SOLIS-24	10030008AD	DIFFERENTIAL PINION LINER	2			
5	SOLIS-26, SONALIKA-26, SOLIS-24	10030006AF	DIFFERENTIAL PINION GEAR (10T)	2			
6	SOLIS-26, SONALIKA-26, SOLIS-24	10050833AB	PINION SHAFT	1			
7	SOLIS-26, SONALIKA-26, SOLIS-24	10050821AA	LOCKING WASHER (CROWN WHEEL)	5			
8	SOLIS-26, SONALIKA-26, SOLIS-24	10051362AF	CROWN WHEEL & TAIL PINION SET (8X41)	1			

Sr.	Model	Item Code	Description	Qty	Int.	Remarks	Cut Off
8	SOLIS-26, SONALIKA-26, SOLIS-24	10051362AG	CROWN WHEEL & TAIL PINION SET (8X41)	1	YES		BYJST608765G2 2
8A	SOLIS-26, SONALIKA-26, SOLIS-24	10050768AF	TAIL PINION SHAFT	1		CHILPART OF ASSY S.NO 8	
8B	SOLIS-26, SONALIKA-26, SOLIS-24	10030240AD	GEAR RING	1		CHILPART OF ASSY S.NO 8	
9	SOLIS-26, SONALIKA-26	20002059AA	HEX HEAD SCREW M8X1.25X16 8-8 SA2JS	10		INTERCHANGEABLE WITH 20005559AA (ROHS)	
9	SOLIS-24	20002059AB	HEX. HEAD SCREW M8 X 1.25 X 16 8-8 SA4JS	10			
9	SOLIS-24 EPA	20005559AA	HEX HEAD SCREW M8X1.25X16 -8.8 SA4GS	10			
9	SOLIS-26, SONALIKA-26	20005559AA	HEX HEAD SCREW M8X1.25X16 -8.8 SA4GS	10		(ROHS) INTERCHANGEABLE WITH 20002059AA	
10	SOLIS-26, SONALIKA-26, SOLIS-24	10050840AD	CAGE CARRIER LEFT	1			
11	SOLIS-26, SONALIKA-26	04000155100	BALL BEARING 6211	1		INTERCHANGEABLE WITH 20005053AA (ROHS)	
11	SOLIS-24	20005053AA	BALL BEARING 6211	1			
11	SOLIS-26, SONALIKA-26	20005053AA	BALL BEARING 6211	1	YES	(ROHS) INTERCHANGEABLE WITH 04000155100	
12	SOLIS-26, SONALIKA-26, SOLIS-24	10050843AC	CAGE CARRIER RIGHT	1			
13	SOLIS-26, SONALIKA-26	20004124AA	BALL BEARING (6011)	1		INTERCHANGEABLE WITH 20004124AB (ROHS)	
13	SOLIS-24	20004124AB	BALL BEARING (6011)	1			
13	SOLIS-26, SONALIKA-26	20004124AB	BALL BEARING (6011)	1	YES	(ROHS) INTERCHANGEABLE WITH 20004124AA	
15	SOLIS-26, SONALIKA-26	20001089AA	HEX. HEAD SCREW M8 X 1.25-25 8-8 SA2JS	12			
15	SOLIS-24	20001089AB	HEX. HEAD SCREW M8 X 1.25-25 8-8 SA4JS	12			
15	SOLIS-24 EPA	20005564AA	HEX HEAD SCREW M8X1.25-25 -8.8 SA4GS	12			
16	SOLIS-26, SONALIKA-26, SOLIS-24	20004150AA	SPRING COTTER SLEEVE(DIA 6X28)	1			
17	SOLIS-26, SONALIKA-26, SOLIS-24	10050852AA	LOCKING WASHER	6			
14.1(i)	SOLIS-26, SONALIKA-26, SOLIS-24	10050848AB	SHIMS 0.15 (FOR CAGE CARRIER)	1		FOR CAGE CARRIER LEFT SIDE	
14.1	SOLIS-26, SONALIKA-26, SOLIS-24	10050849AB	SHIMS 0.20 (FOR CAGE CARRIER)	1		FOR CAGE CARRIER LEFT SIDE	
14.1	SOLIS-26, SONALIKA-26, SOLIS-24	10050851AB	SHIMS 0.50 (FOR CAGE CARRIER)	1		FOR CAGE CARRIER LEFT SIDE	
14.2(i)	SOLIS-26, SONALIKA-26, SOLIS-24	10051927AA	SHIM FOR CAGE CARRIER RIGHT 0.15	1		FOR CAGE CARRIER RIGHT SIDE	
14.2	SOLIS-26, SONALIKA-26, SOLIS-24	10051928AA	SHIM 0.20	1		FOR CAGE CARRIER	

Sr.	Model	Item Code	Description	Qty	Int.	Remarks	Cut Off
						RIGHT SIDE	
14.2	SOLIS-26, SONALIKA-26, SOLIS-24	10051929AA	SHIM 0.50	1		FOR CAGE CARRIER RIGHT SIDE	

08110A-1/1

BP SHAFT, BULL GEAR & REAR AXLE ASSY.



Sr.	Model	Item Code	Description	Qty	Int.	Remarks	Cut Off
1	SOLIS-26, SONALIKA-26	10050749AA	SPRING DIFF LOCK	1		INTERCHANGEABLE WITH 10050749AB (ROHS)	
1	SOLIS-24	10050749AB	SPRING DIFF LOCK	1			
1	SOLIS-26, SONALIKA-26	10050749AB	SPRING DIFF LOCK	1	YES	(ROHS) INTERCHANGEABLE WITH 10050749AA	
2	SOLIS-26, SONALIKA-26, SOLIS-24	10050734AB	SLEEVE DIFF LOCK	1			
3	SOLIS-26, SONALIKA-26, SOLIS-24	10052717AB	BP SHAFT RIGHT FINISH	1			
3	SOLIS-26, SONALIKA-26, SOLIS-24	10052712AB	BP SHAFT LEFT FINISH	1			
3	SONALIKA-26 FACELIFT	10052717AD	BP SHAFT RIGHT FINISH	1			

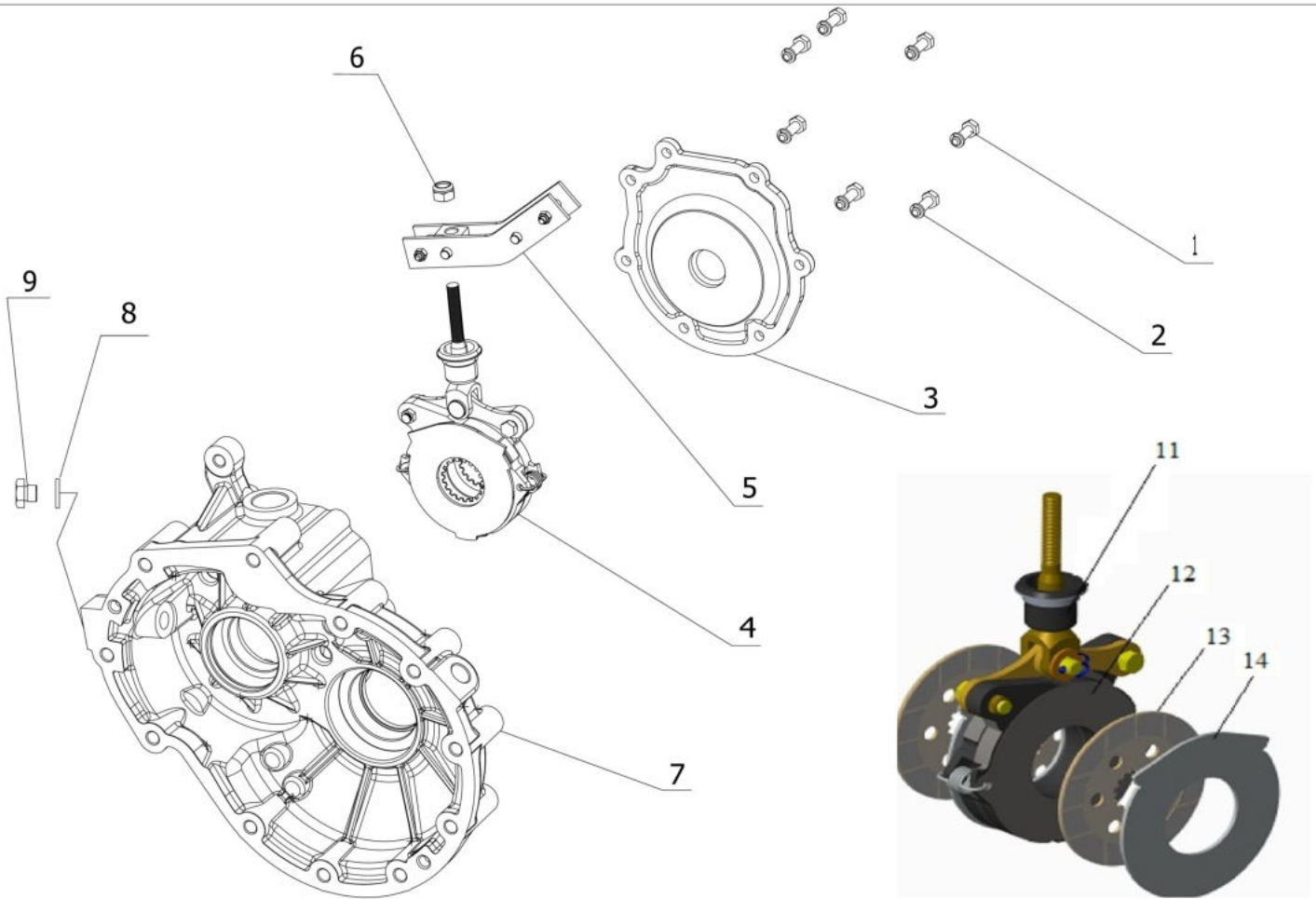
Sr.	Model	Item Code	Description	Qty	Int.	Remarks	Cut Off
3	SONALIKA-26 FACELIFT	10052712AD	BP SHAFT LEFT FINISH	1			
4	SOLIS-26, SONALIKA-26	20004125AA	BALL BEARING 63/28	2		INTERCHANGEABLE WITH 20004125AB (ROHS)	
4	SOLIS-24	20004125AB	BALL BEARING 63/28	2			
4	SOLIS-26, SONALIKA-26	20004125AB	BALL BEARING 63/28	2	YES	(ROHS) INTERCHANGEABLE WITH 20004125AA	
5	SOLIS-26, SONALIKA-26	20003306AB	OIL SEAL (F4D 48X65X10)	2		INTERCHANGEABLE WITH 20003306AC (ROHS)	
5	SOLIS-24	20003306AC	OIL SEAL (F4D 48X65X10)	2			
5	SOLIS-26, SONALIKA-26	20003306AC	OIL SEAL (F4D 48X65X10)	2	YES	(ROHS) INTERCHANGEABLE WITH 20003306AB	
6	SOLIS-24	20005055AA	BALL BEARING 6209	2			
6	SOLIS-26, SONALIKA-26	04000145085	BALL BEARING 6209	2		INTERCHANGEABLE WITH 20005055AA (ROHS)	
6	SOLIS-26, SONALIKA-26	20005055AA	BALL BEARING 6209	2	YES	(ROHS) INTERCHANGEABLE WITH 04000145085	
7	SOLIS-26, SONALIKA-26, SOLIS-24	10050718AB	SPACER BIG (REAR AXLE)	2			
8	SOLIS-26, SONALIKA-26, SOLIS-24	10050717AC	REAR AXLE	2			
8	SOLIS-26 (SOUTH AFRICA, ARGENTINA, DENMARK, POLAND, GERMANY, BRAZIL, UK), DI-26 GARDENTRAC EXCEPT TAIWAN,	10056240AA	REAR AXLE (FINISH)	2	NO		JMKSF578889G26
8	SOLIS-26 (SOUTH AFRICA, ARGENTINA, DENMARK, POLAND, GERMANY, BRAZIL, UK), DI-26 GARDENTRAC EXCEPT TAIWAN,	10056240AB	REAR AXLE	2	YES		JMKST668330G26D
8	SOLIS-26 EXCEPT SOLIS-26 (SOUTH AFRICA, ARGENTINA, DENMARK, POLAND, GERMANY, BRAZIL, UK), SONALIKA-26, DI-26 GARDENTRAC TAIWAN, SOLIS-24	10050717AC	REAR AXLE	2			
8	SOLIS-26 EXCEPT SOLIS-26 (SOUTH AFRICA, ARGENTINA, DENMARK, POLAND, GERMANY, BRAZIL, UK), SONALIKA-26, DI-26 GARDENTRAC TAIWAN, SOLIS-24	10050717AD	REAR AXLE	2	YES		EYJST660520G22
8	SONALIKA-26 FACELIFT	10050717AD	REAR AXLE	2			
9	SOLIS-26, SONALIKA-26	10050719AC	BULL GEAR	2			

Sr.	Model	Item Code	Description	Qty	Int.	Remarks	Cut Off
9	SOLIS-26, SONALIKA-26, SOLIS-24	10050719AD	BULL GEAR	2			
10	SOLIS-26, SONALIKA-26, SOLIS-24	10051060AB	SPACER SMALL (REAR AXLE)	2			
11	SOLIS-26, SONALIKA-26	04000135072	BALL BEARING 6207	2		INTERCHANGE ABLE WITH 20005054AA (ROHS)	
11	SOLIS-24	20005054AA	BALL BEARING 6207	2			
11	SOLIS-26, SONALIKA-26	20005054AA	BALL BEARING 6207	2		(ROHS) INTERCHANGE ABLE WITH 04000135072	
13	SOLIS-26, SONALIKA-26	10053421AC	BRAKE HOUSING FINISH	1			
13	SOLIS-26, SONALIKA-26	10053421AD	BRAKE HOUSING RIGHT	1			
13	SOLIS-26, SONALIKA-26	10053421AE	BRAKE HOUSING RIGHT	1	YES		MEMMMKST627 033G26
13	SOLIS-24	10053421AD	BRAKE HOUSING FINISH	1			
13	SOLIS-24	10053421AE	BRAKE HOUSING RIGHT	1	YES		MEMMMKST627 033G26
13	SOLIS-26, SONALIKA-26	10052487AD	BRAKE HOUSING LEFT	1			
13	SOLIS-26, SONALIKA-26	10052487AE	BRAKE HOUSING LEFT	1			
13	SOLIS-26, SONALIKA-26	10052487AF	BRAKE HOUSING LEFT	1	YES		MEMMMKST627 033G26
13	SOLIS-24	10052487AE	BRAKE HOUSING LEFT	1			
13	SOLIS-24	10052487AF	BRAKE HOUSING LEFT	1	YES		MEMMMKST627 033G26
14	SOLIS-26, SONALIKA-26	04030400010	SPRING WASHER B-10	22			
14	SOLIS-24	20003671AC	SPRING WASHER B-10 TYPE-A IS: 3063-1972	22		INTERCHANGE ABLE WITH 20005518AA (ROHS)	
14	SOLIS-24 EPA	20005518AA	SPRING WASHER B-10 TYPE A IS: 3067-1972	22			
14	SOLIS-24	20005518AA	SPRING WASHER B-10 TYPE A IS: 3067-1972	22	YES	(ROHS) INTERCHANGE ABLE WITH 20003671AC	
15	SOLIS-26, SONALIKA-26, SOLIS-24	20004139AA	HEX HEAD BOLT M10X1.5X75	22			
16	SOLIS-26, SONALIKA-26, SOLIS-24	10051264AB	DOWEL PIN (10X20)	4			
17	SOLIS-26, SONALIKA-26, SOLIS-24	04020200035	EXTERNAL CIRCLIP A-35	2			
18	SOLIS-26, SONALIKA-26, SOLIS-24	04020200035	EXTERNAL CIRCLIP A-35	2			
19	SOLIS-26, SONALIKA-26	10053405AB	DIFFERENTIAL LOCK PEDAL	1			
19	SOLIS-26, SONALIKA-26	10053405AC	DIFFERENTIAL LOCK PEDAL	1			
19	SOLIS-26, SONALIKA-26	10053405AD	DIFFERENTIAL LOCK PEDAL ASSY	1			
19	SOLIS-26, SONALIKA-26, SOLIS-24	10053405AF	DIFFERENTIAL LOCK PEDAL ASSY	1	YES		EMKSU507665G 26D
20	SOLIS-26, SONALIKA-26	04030400012	SPRING WASHER B-12	1			

Sr.	Model	Item Code	Description	Qty	Int.	Remarks	Cut Off
20	SOLIS-24	20004993AA	SPRING WASHER B-12TYPE-A IS: 3063-1972	1			
20	SOLIS-24 EPA	20004993AB	SPRING WASHER B-12 TYPE A IS: 3067-1972	1			
21	SOLIS-26, SONALIKA-26, SOLIS-24	10051239AB	WASHER (DIFF. LOCK)	1			
22	SOLIS-26, SONALIKA-26, SOLIS-24	04020400012	CIRCLIP C-12	1			
23	SOLIS-26, SONALIKA-26, SOLIS-24	10050750AC	LUG DIFF LOCK ASSY	1			
24	SOLIS-26, SONALIKA-26, SOLIS-24	20004275AA	INTERNAL CIRCLIP B-68 IS:3075	2			
25	SOLIS-26, SONALIKA-26, SOLIS-24	20004276AA	EXTERNAL CIRCLIP A-28 IS:3075	2			
27	SOLIS-26, SONALIKA-26	10004041AA	WHEEL BOLT FRONT	10		INTERCHANGEABLE WITH 20005630AA (ROHS)	
27	SOLIS-24	10004041AB	WHEEL BOLT FRONT	10			
27	SOLIS-24 EPA	20005630AA	WHEEL BOLT FRONT	10			
27	SOLIS-26, SONALIKA-26	20005630AA	WHEEL BOLT FRONT	10	YES	(ROHS) INTERCHANGEABLE WITH 10004041AA	
28	SOLIS-26, SONALIKA-26	20003358AA	HEX NUT M12X1.75 -8 SA2JS	1		INTERCHANGEABLE WITH 20005502AA (ROHS)	
28	SOLIS-24	20003358AC	HEX NUT M12X1.75 -8 SA4JS	1			
28	SOLIS-24 EPA	20005502AA	HEX NUT M12X1.75 -8 SA4GS	1			
28	SOLIS-26, SONALIKA-26	20005502AA	HEX NUT M12X1.75 -8 SA4GS	1		(ROHS) INTERCHANGEABLE WITH 20003358AA	
28	SONALIKA-26 FACELIFT	20003358AE	HEX NUT M12X1.75 -8 SA4GS	1			
29	SOLIS-26, SONALIKA-26	10024016AB	DRAIN PLUG ASSEMBLY.	2			
29	SOLIS-26, SONALIKA-26	10024016AC	DRAIN PLUG ASSEMBLY.	2		INTERCHANGEABLE WITH 10024016AD (ROHS)	
29	SOLIS-24	10024016AD	DRAIN PLUG ASSEMBLY.	2			
29	SOLIS-26, SONALIKA-26	10024016AD	DRAIN PLUG ASSEMBLY.	2	YES	(ROHS) INTERCHANGEABLE WITH 10024016AC	
30	SOLIS-26, SONALIKA-26	20004141AA	O-RING Ø10.6 X Ø2.3	1		INTERCHANGEABLE WITH 20004141AC (ROHS)	
30	SOLIS-26, SONALIKA-26, SOLIS-24	20004141AB	O-RING Ø10.6 X Ø2.3	1			
30	SOLIS-26, SONALIKA-26	20004141AC	O-RING Ø10.6 X Ø2.3	1		(ROHS) INTERCHANGEABLE WITH 20004141AA	
31	SOLIS-26, SONALIKA-26	20004245AA	LOCTITE-574	0.7		IN ML,NOT SHOWN	
31	SOLIS-26, SONALIKA-26, SOLIS-24	20004245AB	LIQUID GASKET ANAEROBIC 2 LOC574/ANA613E	0.7	YES	IN ML,NOT SHOWN	MEMMZGFF544 373S3

09110A-1/1

BRAKE ASSY



Sr.	Model	Item Code	Description	Qty	Int.	Remarks	Cut Off
1	SOLIS-26, SONALIKA-26	20001089AA	HEX. HEAD SCREW M8 X 1.25-25 8-8 SA2JS	14			
1	SOLIS-24	20001089AB	HEX. HEAD SCREW M8 X 1.25-25 8-8 SA4JS	14			
1	SOLIS-24 EPA	20005564AA	HEX HEAD SCREW M8X1.25-25 -8.8 SA4GS	14			
2	SOLIS-26, SONALIKA-26	04030400008	SPRING WASHER B-8	14		INTERCHANGEABLE WITH 20005517AA (ROHS)	
2	SOLIS-24	20003670AC	SPRING WASHER B-8 TYPE-A IS: 3063-1972	14			
2	SOLIS-24 EPA	20005517AA	SPRING WASHER B-8 TYPE-A IS: 3063-1972	14			
2	SOLIS-26, SONALIKA-26	20005517AA	SPRING WASHER B-8 TYPE A IS: 3067-1972	14	YES	(ROHS) INTERCHANGEABLE WITH 04030400008	

Sr.	Model	Item Code	Description	Qty	Int.	Remarks	Cut Off
3	SOLIS-26, SONALIKA-26	10052522AA	BRAKE COVER RIGHT	1			
3	SOLIS-26, SONALIKA-26, SOLIS-24	10052522AB	BRAKE COVER RIGHT	1			
3	SOLIS-26, SONALIKA-26	10052469AA	BRAKE COVER LEFT	1			
3	SOLIS-26, SONALIKA-26, SOLIS-24	10052469AB	BRAKE COVER LEFT	1			
4	SOLIS-26, SONALIKA-26	10052531AB	OIB BRAKE ASSY (JMFT)	2		INTERCHANGE ABLE WITH 10052531AC (ROHS)	
4	SOLIS-26, SONALIKA-26, SOLIS-24	10052531AC	OIB BRAKE ASSY (JMFT)	2			
4	SOLIS-26, SONALIKA-26	10052531AC	OIB BRAKE ASSY (JMFT)	2	YES	(ROHS) INTERCHANGE ABLE WITH 10052531AB	
5	SOLIS-26, SONALIKA-26	10052624AB	BRACKET FOR OIB BRAKE	2			
5	SOLIS-26, SONALIKA-26	10052624BA	BRACKET FOR OIB BRAKE LH	1		NEW PART NO. PROVIDED FOR LH & RH AS SINGLE IS USED IN EXISTING	
5	SOLIS-26, SONALIKA-26	10052624BB	BRACKET FOR OIB BRAKE LH	1			
5	SOLIS-26, SONALIKA-26	10052624CA	BRACKET FOR OIB BRAKE	1	NO		AYJST634094G2 2
5	SOLIS-26, SONALIKA-26	10054067AA	BRACKET FOR OIB BRAKE RH	1		NEW PART NO. PROVIDED FOR LH & RH AS SINGLE IS USED IN EXISTING	
5	SOLIS-26, SONALIKA-26	10054067AB	BRACKET FOR OIB BRAKE RH	1			
5	SOLIS-26, SONALIKA-26	10054067BA	BRACKET FOR OIB BRAKE RH	1	NO		AYJST634094G2 2
5	SOLIS-24	10052624BB	BRACKET FOR OIB BRAKE	2			
5	SOLIS-24 EPA	10052624CA	BRACKET FOR OIB BRAKE	2			
6	SOLIS-26, SONALIKA-26	04041000010	HEX NYLOCK NUT M10	2		INTERCHANGE ABLE WITH 200000416B (ROHS)	
6	SOLIS-24	20003377AB	HEX NYLOC NUT M10 8 SA4JS	2			
6	SOLIS-24 EPA	20005529AA	HEX NYLOCK NUT M10 -8	2			
6	SOLIS-26, SONALIKA-26	200000416B	HEX NYLOC NUT M14X2 10 SA4GS	2		(ROHS) INTERCHANGE ABLE WITH 04041000010	
7	SOLIS-26, SONALIKA-26	10052487AD	BRAKE HOUSING LEFT	1			
7	SOLIS-26, SONALIKA-26	10052487AE	BRAKE HOUSING LEFT	1			
7	SOLIS-26, SONALIKA-26	10052487AF	BRAKE HOUSING LEFT	1	YES		MEMMMKST627 033G26
7	SOLIS-24	10052487AE	BRAKE HOUSING LEFT	1			

Sr.	Model	Item Code	Description	Qty	Int.	Remarks	Cut Off
7	SOLIS-24	10052487AF	BRAKE HOUSING LEFT	1	YES		MEMMMKST627 033G26
7	SOLIS-26, SONALIKA-26	10053421AC	BRAKE HOUSING FINISH	1			
7	SOLIS-26, SONALIKA-26	10053421AD	BRAKE HOUSING RIGHT	1			
7	SOLIS-26, SONALIKA-26	10053421AE	BRAKE HOUSING RIGHT	1	YES		MEMMMKST627 033G26
7	SOLIS-24	10053421AD	BRAKE HOUSING FINISH	1			
7	SOLIS-24	10053421AE	BRAKE HOUSING RIGHT	1	YES		MEMMMKST627 033G26
8	SOLIS-26, SONALIKA-26, SOLIS-24	04030216020	SEALING WASHER DIA 16.2* DIA 20 * 1.5	1			
9	SOLIS-26, SONALIKA-26, SOLIS-24	10000257AB	SEALING PLUG M16*1.5	1			
10	SOLIS-26, SONALIKA-26	20004245AA	LOCTITE-574	0.7		IN ML,NOT SHOWN	
10	SOLIS-26, SONALIKA-26, SOLIS-24	20004245AB	LIQUID GASKET ANAEROBIC 2 LOC574/ANA613E	0.7	YES		MEMMZGFF544 373S3
11	SOLIS-26, SONALIKA-26	10055271AA	RUBBER BOOT OIB GT-26	2		NOT SHOWN	
11	SOLIS-26, SONALIKA-26	10055271AA	RUBBER BOOT OIB GT-26	2		Child Parts of 10052531AB	
12	SOLIS-26, SONALIKA-26	10057715AA	Actuator Assembly	1		Child Parts of 10052531AB	
13	SOLIS-26, SONALIKA-26	10057716AA	Friction Disc	2		Child Parts of 10052531AB	
14	SOLIS-26, SONALIKA-26	10057717AA	Intermediate Steel Plate ?	1		Child Parts of 10052531AB	

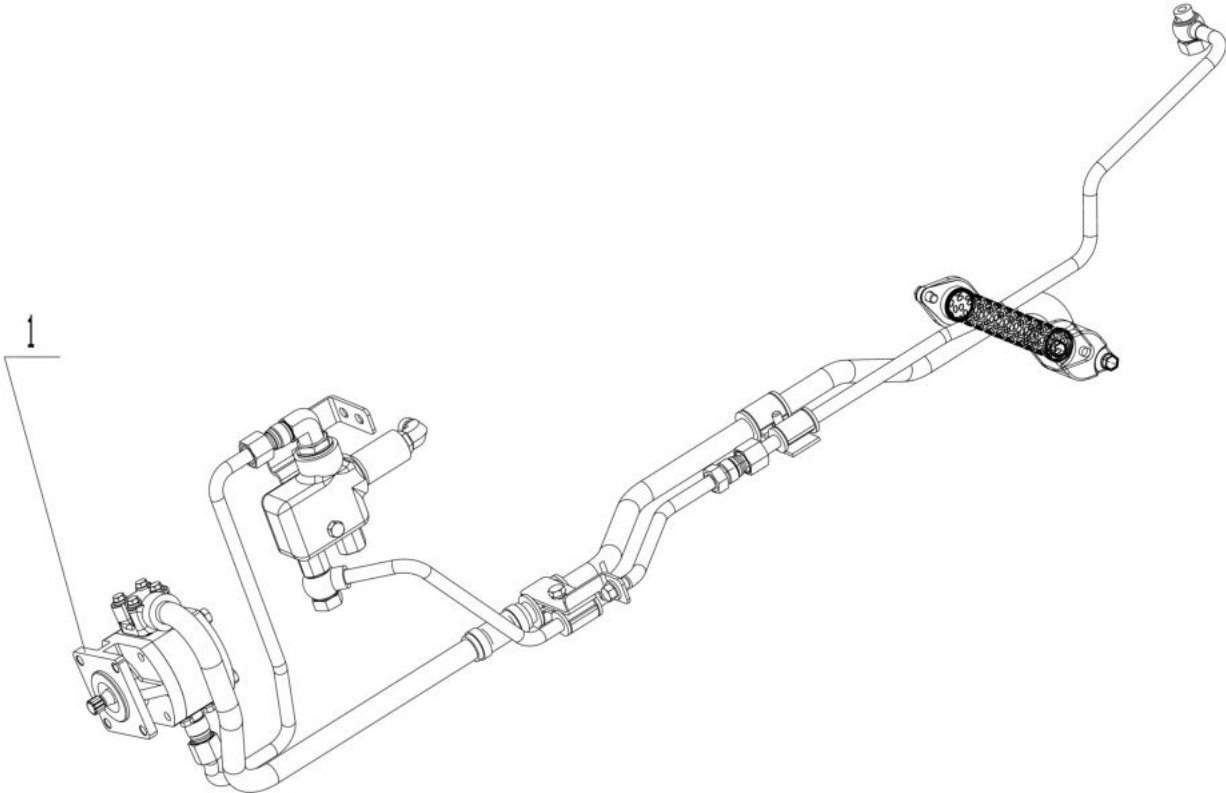
10110A-1-1

HYD. PUMP ASSY.

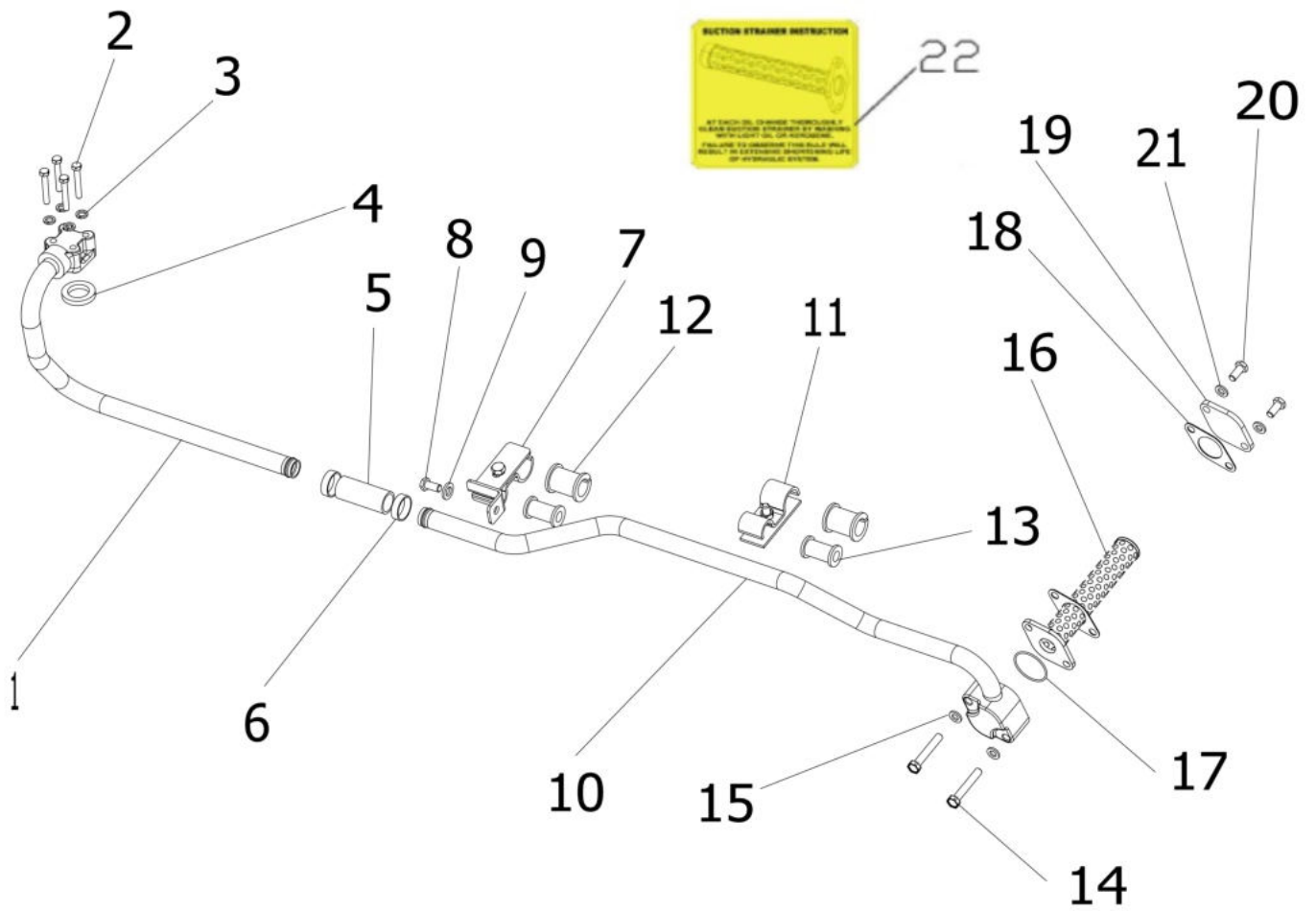
SOLIS-26, SONALIKA-26

10110A-1/1

HYD. PUMP ASSY.



Sr.	Model	Item Code	Description	Qty	Int.	Remarks	Cut Off
1	SOLIS-26,SONALIKA-26	10051321AB	HYDRAULIC PUMP	1			



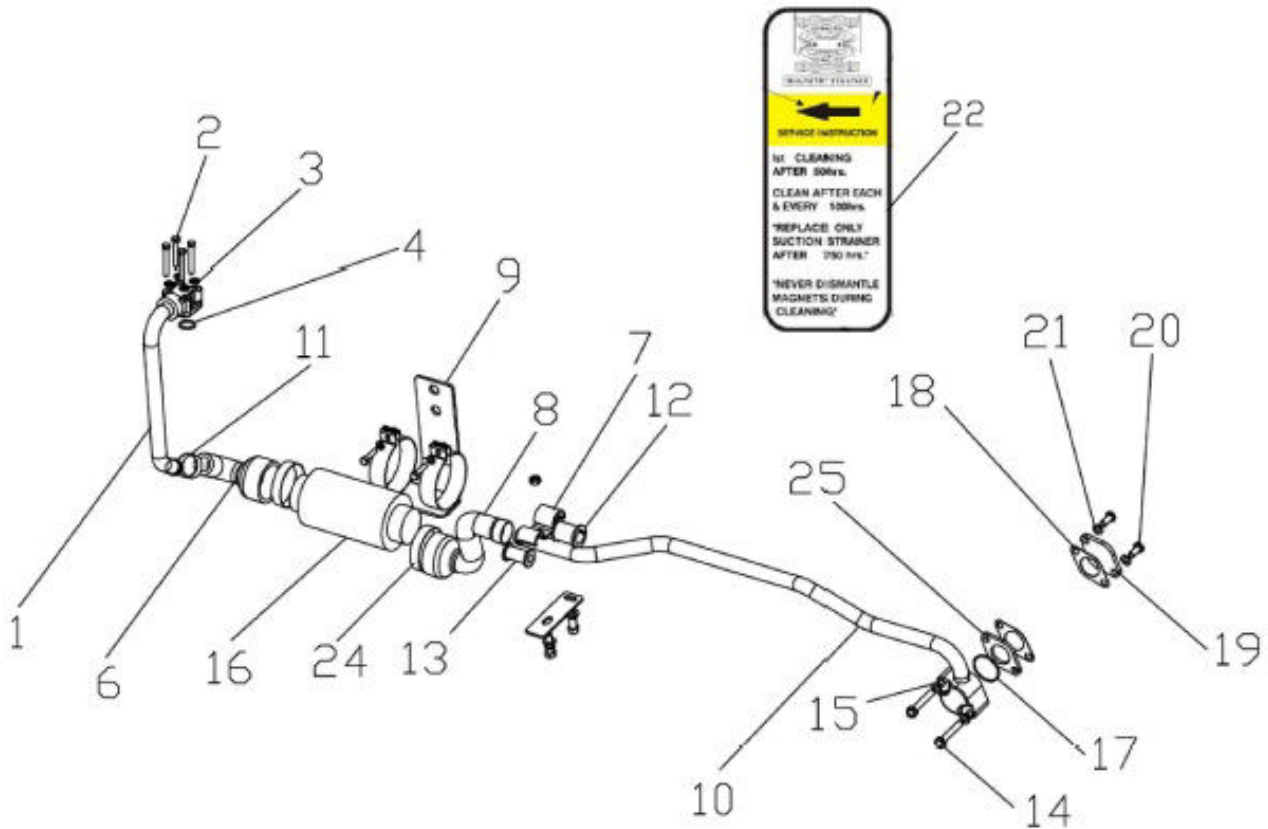
Sr.	Model	Item Code	Description	Qty	Int.	Remarks	Cut Off
1	SOLIS-26	10053325AA	SECONDARY SUCTION PIPE	1			
2	SOLIS-26	04040706040	HEX BOLT M6*40	4		INTERCHANGEABLE WITH 300028444A (ROHS)	
2	SOLIS-26	300028444A	HEX BOLT M6*40 SA4GS	4		(ROHS) INTERCHANGEABLE WITH 04040706040	
3	SOLIS-26	04030400006	SPRING WASHER B-6	4			
4	SOLIS-26	10051651AA	O RING Ø18.3X Ø2.4	1		INTERCHANGEABLE WITH 10051651AB (ROHS)	

Sr.	Model	Item Code	Description	Qty	Int.	Remarks	Cut Off
4	SOLIS-26	10051651AB	O RING Ø18.3X Ø2.4	1		(ROHS) INTERCHANGE ABLE WITH 10051651AA	
5	SOLIS-26	10052696AA	SUCTION HOSE	1			
6	SOLIS-26	04080400036	HOSE WARM CLIP DIA 36	2		INTERCHANGE ABLE WITH 20003660AB (ROHS)	
6	SOLIS-26	20003660AB	HOSE WARM CLIP DIA 36	2	YES	(ROHS) INTERCHANGE ABLE WITH 04080400036	
7	SOLIS-26	10053388AB	CLAMP FOR SUCTION	1			
8	SOLIS-26	20002059AA	HEX HEAD SCREW M8X1.25X16 8-8 SA2JS	1		INTERCHANGE ABLE WITH 20005559AA (ROHS)	
8	SOLIS-26	20005559AA	HEX HEAD SCREW M8X1.25X16 -8.8 SA4GS	1		(ROHS) INTERCHANGE ABLE WITH 20002059AA	
9	SOLIS-26	04030400008	SPRING WASHER B-8	1		INTERCHANGE ABLE WITH 20005517AA (ROHS)	
9	SOLIS-26	20005517AA	SPRING WASHER B-8 TYPE A IS: 3067-1972	1	YES	(ROHS) INTERCHANGE ABLE WITH 04030400008	
10	SOLIS-26	10053324AA	PRIMARY SUCTION PIPE	1			
11	SOLIS-26	10051485AA	CLAMP ASSY	1			
12	SOLIS-26	10081598AA	VIBRATION DAMPER	2		INTERCHANGE ABLE WITH 10081598AB (ROHS)	
12	SOLIS-26	10081598AB	VIBRATION DAMPER	2	YES	(ROHS) INTERCHANGE ABLE WITH 10081598AA	
13	SOLIS-26	10051486AA	VIBRATION DAMPER	2		INTERCHANGE ABLE WITH 10051486AB (ROHS)	
13	SOLIS-26	10051486AB	VIBRATION DAMPER	2	YES	(ROHS) INTERCHANGE ABLE WITH 10051486AA	
14	SOLIS-26	20004136AA	HEX HEAD BOLT M8X1.25X55	2		INTERCHANGE ABLE WITH 20005600AA (ROHS)	
14	SOLIS-26	20005600AA	HEX HEAD BOLT M8X55_8.8 SA4GS	2		(ROHS) INTERCHANGE ABLE WITH 20004136AA	
15	SOLIS-26	04030400008	SPRING WASHER B-8	2		INTERCHANGE ABLE WITH 20005517AA (ROHS)	
15	SOLIS-26	20005517AA	SPRING WASHER B-8 TYPE A IS: 3067-1972	2	YES	(ROHS) INTERCHANGE	

Sr.	Model	Item Code	Description	Qty	Int.	Remarks	Cut Off
						ABLE WITH 04030400008	
16	SOLIS-26	10051482BB	SUCTION STRAINER ASSY.	1			
17	SOLIS-26	10052711AA	O-RING DIA 37.82X1.78	1		INTERCHANGE ABLE WITH 10052711AB (ROHS)	
17	SOLIS-26	10052711AB	O-RING DIA 37.82X1.78	1		(ROHS) INTERCHANGE ABLE WITH 10052711AA	
18	SOLIS-26	10052530AA	GASKET (STRAINER COVER)	2			
19	SOLIS-26	10052710AA	COVER PLATE	1			
20	SOLIS-26	20002059AA	HEX HEAD SCREW M8X1.25X16 8-8 SA2JS	2		INTERCHANGE ABLE WITH 20005559AA (ROHS)	
20	SOLIS-26	20005559AA	HEX HEAD SCREW M8X1.25X16 -8.8 SA4GS	2		(ROHS) INTERCHANGE ABLE WITH 20002059AA	
21	SOLIS-26	04030400008	SPRING WASHER B-8	2		INTERCHANGE ABLE WITH 20005517AA (ROHS)	
21	SOLIS-26	20005517AA	SPRING WASHER B-8 TYPE A IS: 3067-1972	2	YES	(ROHS) INTERCHANGE ABLE WITH 04030400008	
22	SOLIS-26	10052695AA	STICKER FOR SUCTION STRAINER	1			
23	SOLIS-26	10011185AB	LOCTITE-577	5.23		INML, NOTSHOWN	

10121A-1/2

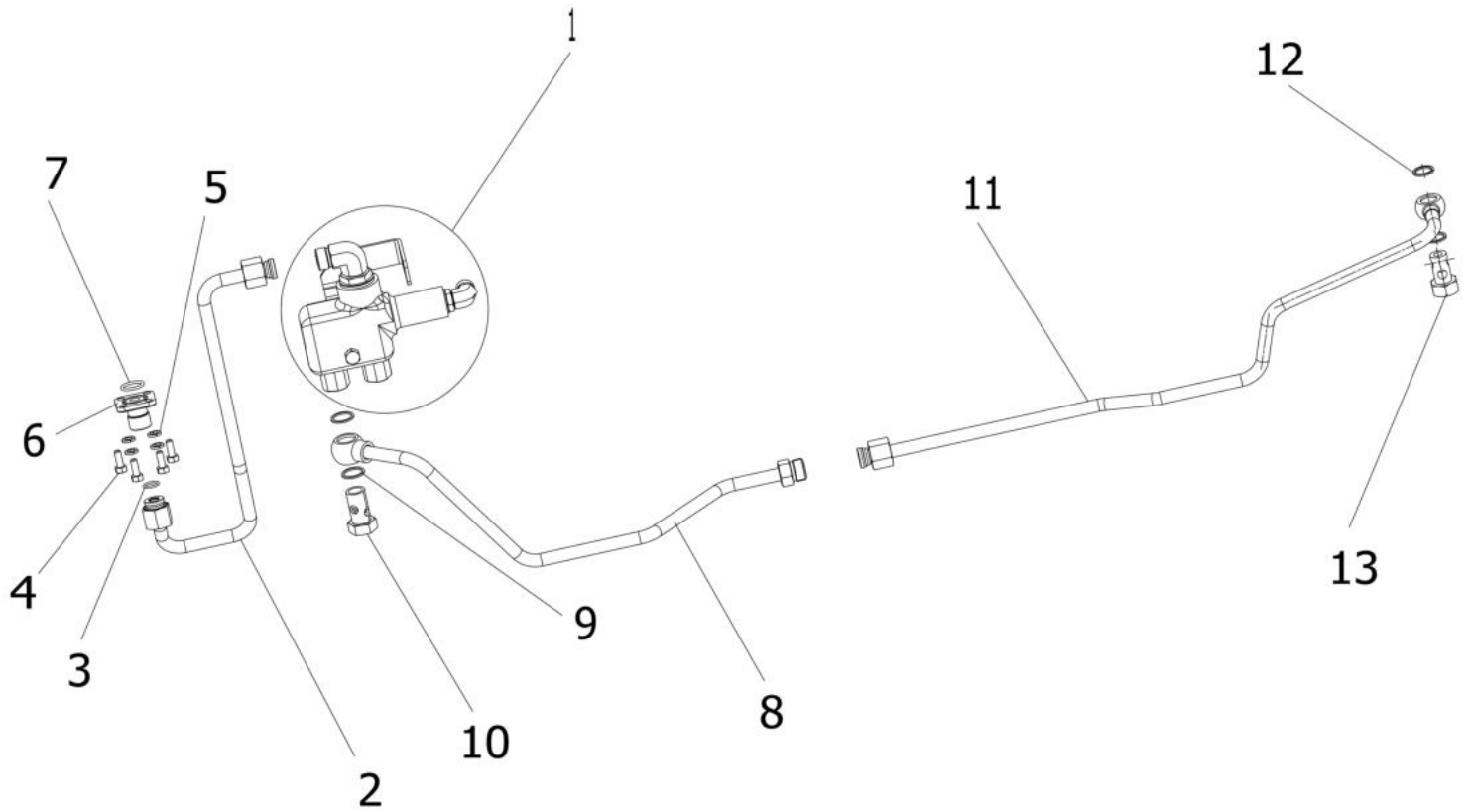
SUCTION LINE



Sr.	Model	Item Code	Description	Qty	Int.	Remarks	Cut Off
1	SOLIS-26, SONALIKA-26	10053325AB	SECONDARY SUCTION PIPE	1			
2	SOLIS-26, SONALIKA-26	04040706040	HEX BOLT M6*40	4		INTERCHANGEABLE WITH 300028444A (ROHS)	
2	SOLIS-26, SONALIKA-26	300028444A	HEX BOLT M6*40 SA4GS	4		(ROHS) INTERCHANGEABLE WITH 04040706040	
3	SOLIS-26, SONALIKA-26	04030400006	SPRING WASHER B-6	4			
4	SOLIS-26, SONALIKA-26	10051651AA	O RING Ø18.3X Ø2.4	1		INTERCHANGEABLE WITH 10051651AB (ROHS)	

Sr.	Model	Item Code	Description	Qty	Int.	Remarks	Cut Off
4	SOLIS-26, SONALIKA-26	10051651AB	O RING Ø18.3X Ø2.4	1		(ROHS) INTERCHANGE ABLE WITH 10051651AA	
4	SONALIKA-26 FACELIFT	10051651AD	O RING Ø18.3X Ø2.4	1			
5	SOLIS-26, SONALIKA-26	20002253AB	STRAINER-100 MICRONS	1		NOT SHOWN	
5	SONALIKA-26 FACELIFT	20002253AA	STRAINER-100 MICRONS	1		NOT SHOWN	
6	SOLIS-26, SONALIKA-26	10014096AB	HOSE FOR STRAINER 1	1			
7	SOLIS-26, SONALIKA-26	10053388AC	CLAMP FOR SUCTION	1		INTERCHANGE ABLE WITH 10053388AE (ROHS)	
7	SOLIS-26, SONALIKA-26	10053388AE	CLAMP FOR SUCTION	1		(ROHS) INTERCHANGE ABLE WITH 10053388AC	
8	SOLIS-26, SONALIKA-26	10014097AB	HOSE FOR STRAINER 2	1			
9	SOLIS-26, SONALIKA-26	10014098AB	BRACKET FOR STRAINER	1			
10	SOLIS-26, SONALIKA-26	10053324AB	PRIMARY SUCTION PIPE	1			
11	SOLIS-26, SONALIKA-26	20004823AA	HOSE WORM CLAMP DIA 30 IS:4762	2		INTERCHANGE ABLE WITH 20004823AB (ROHS)	
11	SOLIS-26, SONALIKA-26	20004823AB	HOSE WORM CLAMP DIA 30 IS:4762	2	YES	(ROHS) INTERCHANGE ABLE WITH 20004823AA	
12	SOLIS-26, SONALIKA-26	10081598AA	VIBRATION DAMPER	2		INTERCHANGE ABLE WITH 10081598AB (ROHS)	
12	SOLIS-26, SONALIKA-26	10081598AB	VIBRATION DAMPER	2	YES	(ROHS) INTERCHANGE ABLE WITH 10081598AA	
13	SOLIS-26, SONALIKA-26	10051486AA	VIBRATION DAMPER	2		INTERCHANGE ABLE WITH 10051486AB (ROHS)	
13	SOLIS-26, SONALIKA-26	10051486AB	VIBRATION DAMPER	2	YES	(ROHS) INTERCHANGE ABLE WITH 10051486AA	
14	SOLIS-26, SONALIKA-26	20004136AA	HEX HEAD BOLT M8X1.25X55	2		INTERCHANGE ABLE WITH 20005600AA (ROHS)	
14	SOLIS-26, SONALIKA-26	20005600AA	HEX HEAD BOLT M8X55_8.8 SA4GS	2		(ROHS) INTERCHANGE ABLE WITH 20004136AA	
15	SOLIS-26, SONALIKA-26	04030400008	SPRING WASHER B-8	2		INTERCHANGE ABLE WITH 20005517AA (ROHS)	
15	SOLIS-26, SONALIKA-26	20005517AA	SPRING WASHER B-8 TYPE A IS: 3067-1972	2	YES	(ROHS) INTERCHANGE ABLE WITH 04030400008	

Sr.	Model	Item Code	Description	Qty	Int.	Remarks	Cut Off
16	SOLIS-26, SONALIKA-26	10023560AC	MAGNETIC STRAINER ASSY	1		INTERCHANGEABLE WITH 10023560AD (ROHS)	
16	SOLIS-26, SONALIKA-26	10023560AD	MAGNETIC STRAINER ASSY	1	YES	(ROHS) INTERCHANGEABLE WITH 10023560AC	
17	SOLIS-26, SONALIKA-26	10052711AA	O-RING DIA 37.82X1.78	1		INTERCHANGEABLE WITH 10052711AB (ROHS)	
17	SOLIS-26, SONALIKA-26	10052711AB	O-RING DIA 37.82X1.78	1		(ROHS) INTERCHANGEABLE WITH 10052711AA	
17	SONALIKA-26 FACELIFT	10052711AC	O-RING DIA 37.82X1.78	1			
18	SOLIS-26, SONALIKA-26	10052530AA	GASKET (STRAINER COVER)	2			
19	SOLIS-26, SONALIKA-26	10052710AA	COVER PLATE	1			
20	SOLIS-26, SONALIKA-26	20002059AA	HEX HEAD SCREW M8X1.25X16 8-8 SA2JS	2		INTERCHANGEABLE WITH 20005559AA (ROHS)	
20	SOLIS-26, SONALIKA-26	20005559AA	HEX HEAD SCREW M8X1.25X16 -8.8 SA4GS	2		(ROHS) INTERCHANGEABLE WITH 20002059AA	
21	SOLIS-26, SONALIKA-26	04030400008	SPRING WASHER B-8	2		INTERCHANGEABLE WITH 20005517AA (ROHS)	
21	SOLIS-26, SONALIKA-26	20005517AA	SPRING WASHER B-8 TYPE A IS: 3067-1972	2	YES	(ROHS) INTERCHANGEABLE WITH 04030400008	
22	SOLIS-26, SONALIKA-26	10055053AA	STICKER FOR MAGNETIC STRAINER	1			
22	SOLIS-26 EXCEPT ARGENTIANA, SONALIKA-26	10055053AC	STICKER FOR MAGNETIC STRAINER	1	YES		MEMGMKSF554589G26
23	SOLIS-26, SONALIKA-26	10011185AB	LOCTITE-577	5.23		IN ML, NOT SHOWN	
24	SOLIS-26, SONALIKA-26	20003662AA	HOSE WORM CLAMP DIA 70 IS:4762	2		INTERCHANGEABLE WITH 20003662AB (ROHS)	
24	SOLIS-26, SONALIKA-26	20003662AB	HOSE WORM CLAMP DIA 70 IS:4762	2	YES	(ROHS) INTERCHANGEABLE WITH 20003662AA	
25	SOLIS-26, SONALIKA-26	10054535AA	SPACER FOR STRAINER	1		INTERCHANGEABLE WITH 300028551A (ROHS)	
25	SOLIS-26, SONALIKA-26	300028551A	SPACER FOR SUCTION LINE	1		(ROHS) INTERCHANGEABLE WITH 10054535AA	

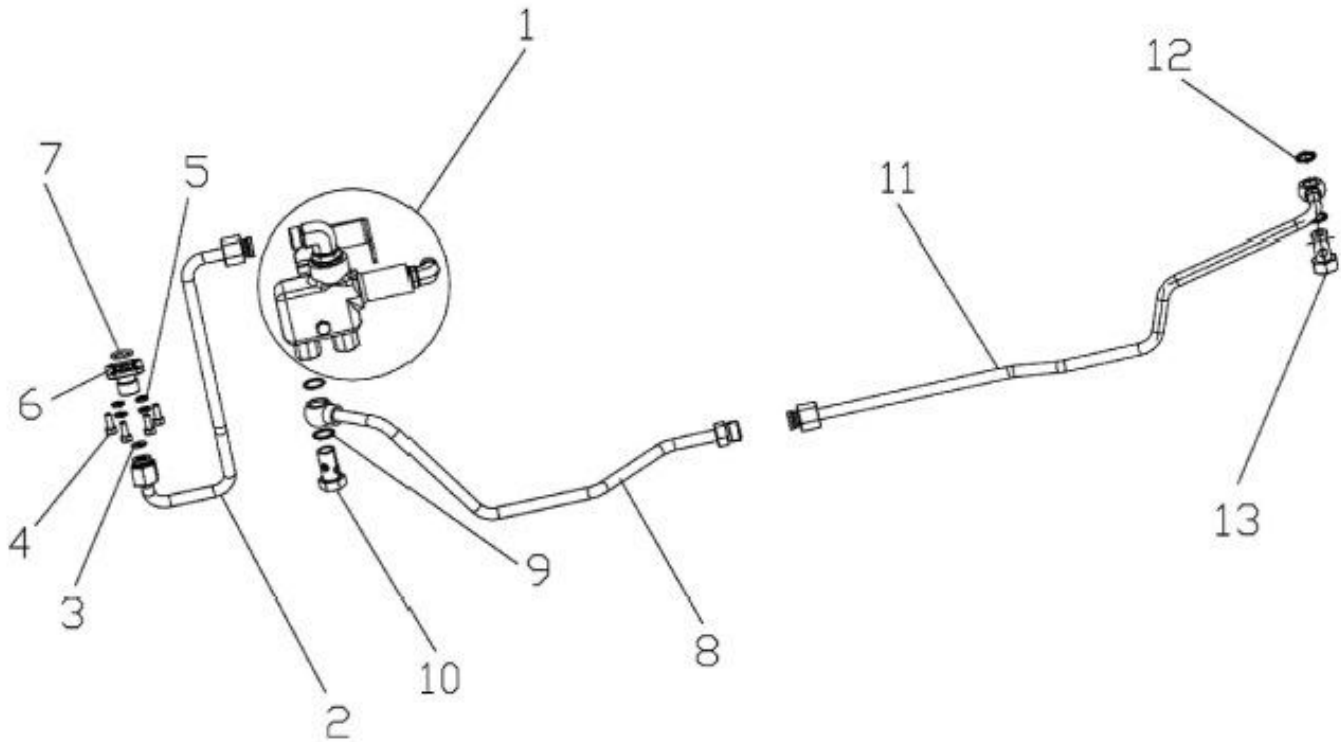


Sr.	Model	Item Code	Description	Qty	Int.	Remarks	Cut Off
1	SOLIS-26, SONALIKA-26	10053068AA	PRIORITY VALVE	1			
2	SOLIS-26, SONALIKA-26	10053326BA	DELIVERY PIPE (PUMP TO PRIORITY VALVE)	1			
3	SOLIS-26, SONALIKA-26	20003737AA	O-RING Ø12.42xØ1.78	1		INTERCHANGEABLE WITH 20003737AD (ROHS)	
3	SOLIS-26, SONALIKA-26	20003737AD	O-RING Ø12.42XØ1.78	1	YES	(ROHS) INTERCHANGEABLE WITH 20003737AA	
4	SOLIS-26, SONALIKA-26	04040106016	HEX SCREW M6*16	4			
5	SOLIS-26, SONALIKA-26	04030400006	SPRING WASHER B-6	4			

Sr.	Model	Item Code	Description	Qty	Int.	Remarks	Cut Off
6	SOLIS-26, SONALIKA-26	10053655AA	DELIVERY ADOPTER	1			
7	SOLIS-26, SONALIKA-26	10051651AA	O RING Ø18.3X Ø2.4	1		INTERCHANGEABLE WITH 10051651AB (ROHS)	
7	SOLIS-26, SONALIKA-26	10051651AB	O RING Ø18.3X Ø2.4	1		(ROHS) INTERCHANGEABLE WITH 10051651AA	
8	SOLIS-26, SONALIKA-26	10053327AB	PRIMARY DELIVERY PIPE (PRIORITY VALVE T	1			
9	SOLIS-26, SONALIKA-26	10012573AA	BONDED SEAL FOR M18	2			
10	SOLIS-26, SONALIKA-26	20003896AA	BANJO BOLT M18x1.5 IS:3174-1974	1		INTERCHANGEABLE WITH 20005628AA (ROHS)	
10	SOLIS-26, SONALIKA-26	20005628AA	BENJO BOLT M18X1.5 IS:3174-1974	1		(ROHS) INTERCHANGEABLE WITH 20003896AA	
11	SOLIS-26, SONALIKA-26	10053328AA	SECONDARY DELIVERY PIPE (PRIORITY VALVE	1			
11	SOLIS-26, SONALIKA-26	10053328AB	SECONDARY DELIVERY PIPE (PRIORITY VALVE	1			
12	SOLIS-26, SONALIKA-26	10012585AA	BONDED SEAL FOR 3/8 BSP	2			
12	SOLIS-26, SONALIKA-26	10012585AB	BONDED SEAL FOR 3/8 BSP	2			
13	SOLIS-26, SONALIKA-26	10024269AA	BANJO BOLT Ø16.4(19TPI)	1			
14	SOLIS-26,SONALIKA-26, DI-26 GARDENTRAC	10012650AB	HOSE PIPE	1			
14	SOLIS-26,SONALIKA-26, DI-26 GARDENTRAC	10055940AB	HOSE	1	YES		MEMGMKST635 254G26

10131A-1/1

DELIVERY LINE

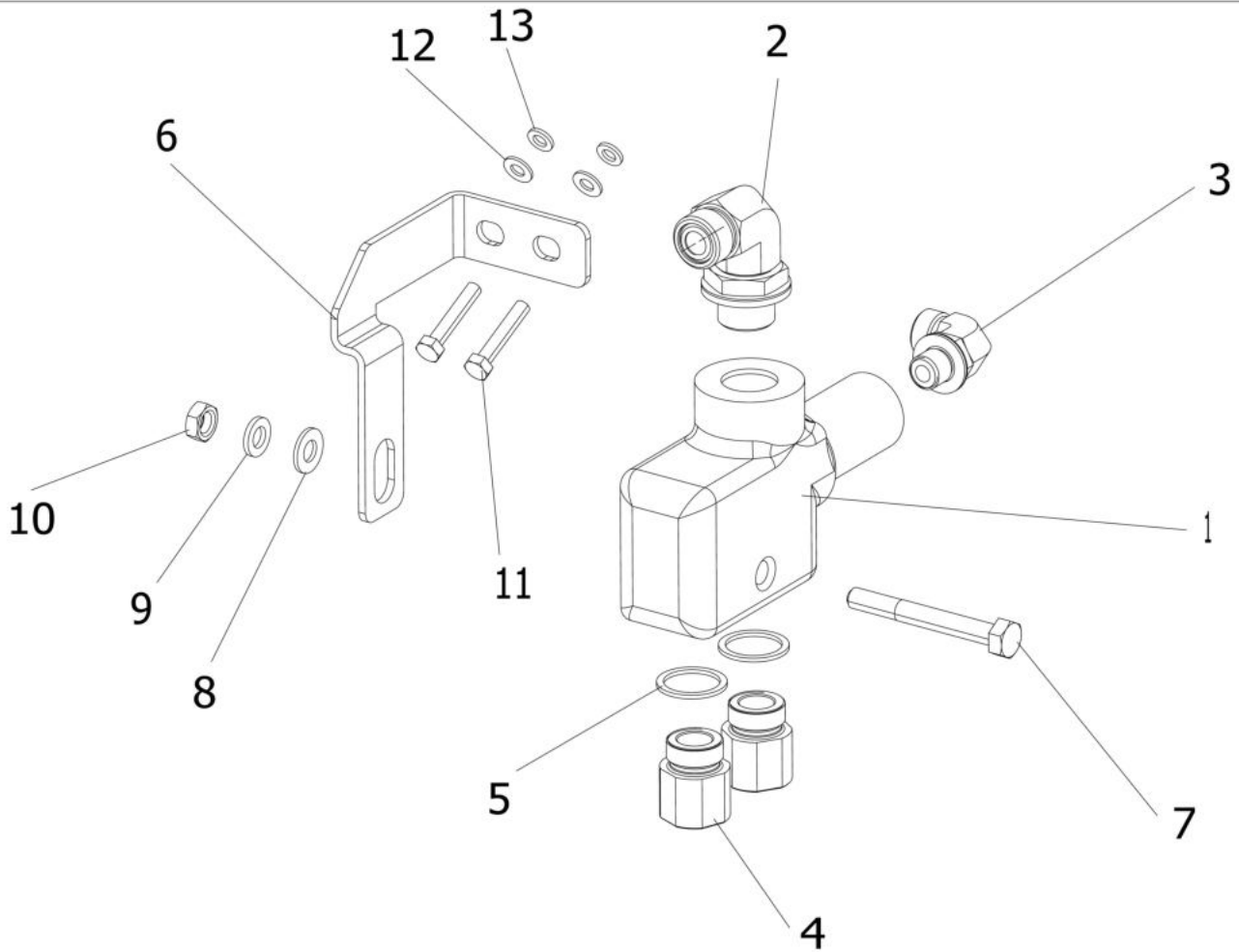


Sr.	Model	Item Code	Description	Qty	Int.	Remarks	Cut Off
1	ALL MODELS	10053068AA	PRIORITY VALVE	1			
2	ALL MODELS	10053326CA	DELIVERY PIPE (PUMP TO PRIORITY VALVE)	1		INTERCHANGEABLE WITH 300028573A (ROHS)	
2	ALL MODELS	300028573A	DELIVERY PIPE (PUMP TO PRIORITY VALVE)	1		(ROHS) INTERCHANGEABLE WITH 10053326CA	
3	ALL MODELS	20003737AA	O-RING Ø12.42xØ1.78	1		INTERCHANGEABLE WITH 20003737AD (ROHS)	
3	ALL MODELS	20003737AD	O-RING Ø12.42XØ1.78	1	YES	(ROHS) INTERCHANGEABLE WITH	

Sr.	Model	Item Code	Description	Qty	Int.	Remarks	Cut Off
						20003737AA	
4	ALL MODELS	04040106016	HEX SCREW M6*16	4			
5	ALL MODELS	04030400006	SPRING WASHER B-6	4			
6	ALL MODELS	10053655AA	DELIVERY ADOPTER	1			
7	ALL MODELS	10051651AA	O RING Ø18.3X Ø2.4	1		INTERCHANGE ABLE WITH 10051651AB (ROHS)	
7	ALL MODELS	10051651AB	O RING Ø18.3X Ø2.4	1		(ROHS) INTERCHANGE ABLE WITH 10051651AA	
7	SONALIKA-26 FACELIFT	10051651AD	O RING Ø18.3X Ø2.4	1			
8	ALL MODELS	10053327BA	PRIMARY DELIVERY PIPE (PRIORITY VALVE T	1		INTERCHANGE ABLE WITH 10053327CB (ROHS)	
8	ALL MODELS	10053327CB	PRIMARY DELIVERY PIPE (PRIORITY VALVE T	1		(ROHS) INTERCHANGE ABLE WITH 10053327BA	
9	ALL MODELS	10012573AA	BONDED SEAL FOR M18	2			
10	ALL MODELS	20003896AA	BANJO BOLT M18x1.5 IS:3174-1974	1		INTERCHANGE ABLE WITH 20005628AA (ROHS)	
10	ALL MODELS	20005628AA	BENJO BOLT M18X1.5 IS:3174-1974	1		(ROHS) INTERCHANGE ABLE WITH 20003896AA	
11	ALL MODELS	300034236A	SECONDARY DELIVERY PIPE (PRIORITY VALVE	1			
11	SONALIKA-26 FACELIFT	10053328AB	SECONDARY DELIVERY PIPE (PRIORITY VALVE	1			
12	ALL MODELS	10012585AB	BONDED SEAL FOR 3/8 BSP	2			
13	ALL MODELS	10024269AA	BANJO BOLT Ø16.4(19TPI)	1			

10140A-1/1

PRIORITY VALVE ASSY.

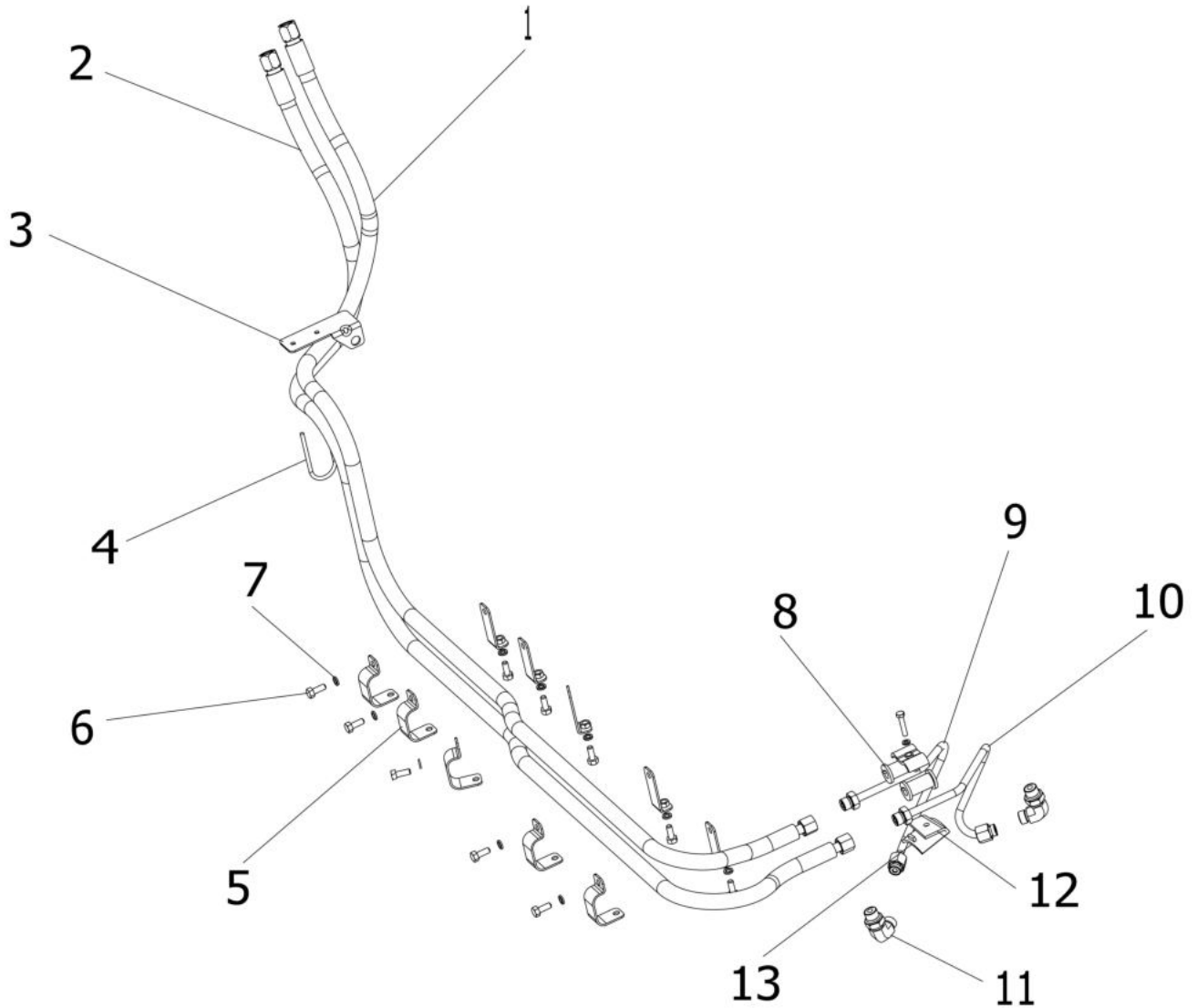


Sr.	Model	Item Code	Description	Qty	Int.	Remarks	Cut Off
1	SOLIS-26, SONALIKA-26	10053068AA	PRIORITY VALVE	1			
2	SOLIS-26, SONALIKA-26	10053155BA	90° ADJUSTABLE STUD ELBOW 12 x G1/2-A	1			
3	SOLIS-26, SONALIKA-26	10053156BA	90° ADJUSTABLE STUD ELBOW 10 x G1/4-A	1		INTERCHANGEABLE WITH 10053156CC (ROHS)	
3	SOLIS-26, SONALIKA-26	10053156CC	90° ADJUSTABLE STUD ELBOW 10 X G1/4-A	1		(ROHS) INTERCHANGEABLE WITH 10053156BA	
4	SOLIS-26, SONALIKA-26	10017560AA	ADOPTER 1/2 BSP	2			
4	SONALIKA-26 FACELIFT	10017560AB	ADOPTER 1/2 BSP	2			

Sr.	Model	Item Code	Description	Qty	Int.	Remarks	Cut Off
5	SOLIS-26, SONALIKA-26	10012579AB	BONDED SEAL FOR 1/2 BSP	2			
6	SOLIS-26, SONALIKA-26	10053387AC	PRIORITY VALVE MOUNTING BRACKET	1		INTERCHANGEABLE WITH 10053387BA (ROHS)	
6	SOLIS-26, SONALIKA-26	10053387AD	PRIORITY VALVE MOUNTING BRACKET	1			
6	SOLIS-26, SONALIKA-26	10053387BA	PRIORITY VALVE MOUNTING BRACKET	1		(ROHS) INTERCHANGEABLE WITH 10053387AC	
7	SOLIS-26, SONALIKA-26	04040708065	Hex. head Bolt M8 x 1.25-65 8-8 SA2JS-Z	1		INTERCHANGEABLE WITH 20005598AA (ROHS)	
7	SOLIS-26, SONALIKA-26	20005598AA	HEX HEAD BOLT M8X65_8.8 SA4GS	1		(ROHS) INTERCHANGEABLE WITH 04040708065	
8	SOLIS-26, SONALIKA-26	04030600008	plain washer DIA 8.4 *DIA 17*1.6	1			
9	SOLIS-26, SONALIKA-26	04030400008	SPRING WASHER B-8	1		INTERCHANGEABLE WITH 20005517AA (ROHS)	
9	SOLIS-26, SONALIKA-26	20005517AA	SPRING WASHER B-8 TYPE A IS: 3067-1972	1	YES	(ROHS) INTERCHANGEABLE WITH 04030400008	
10	SOLIS-26, SONALIKA-26	20003355AB	HEX NUT M8X1.25 -8 SA2JS	1			
11	SOLIS-26, SONALIKA-26	20003285AB	HEX SCREW M8X1.25X30 8-8 SA2JS	2			
12	SOLIS-26, SONALIKA-26	04030600008	plain washer DIA 8.4 *DIA 17*1.6	2			
13	SOLIS-26, SONALIKA-26	04030400008	SPRING WASHER B-8	2		INTERCHANGEABLE WITH 20005517AA (ROHS)	
13	SOLIS-26, SONALIKA-26	20005517AA	SPRING WASHER B-8 TYPE A IS: 3067-1972	2	YES	(ROHS) INTERCHANGEABLE WITH 04030400008	

10150A-1/1

STEERING UNIT PIPES



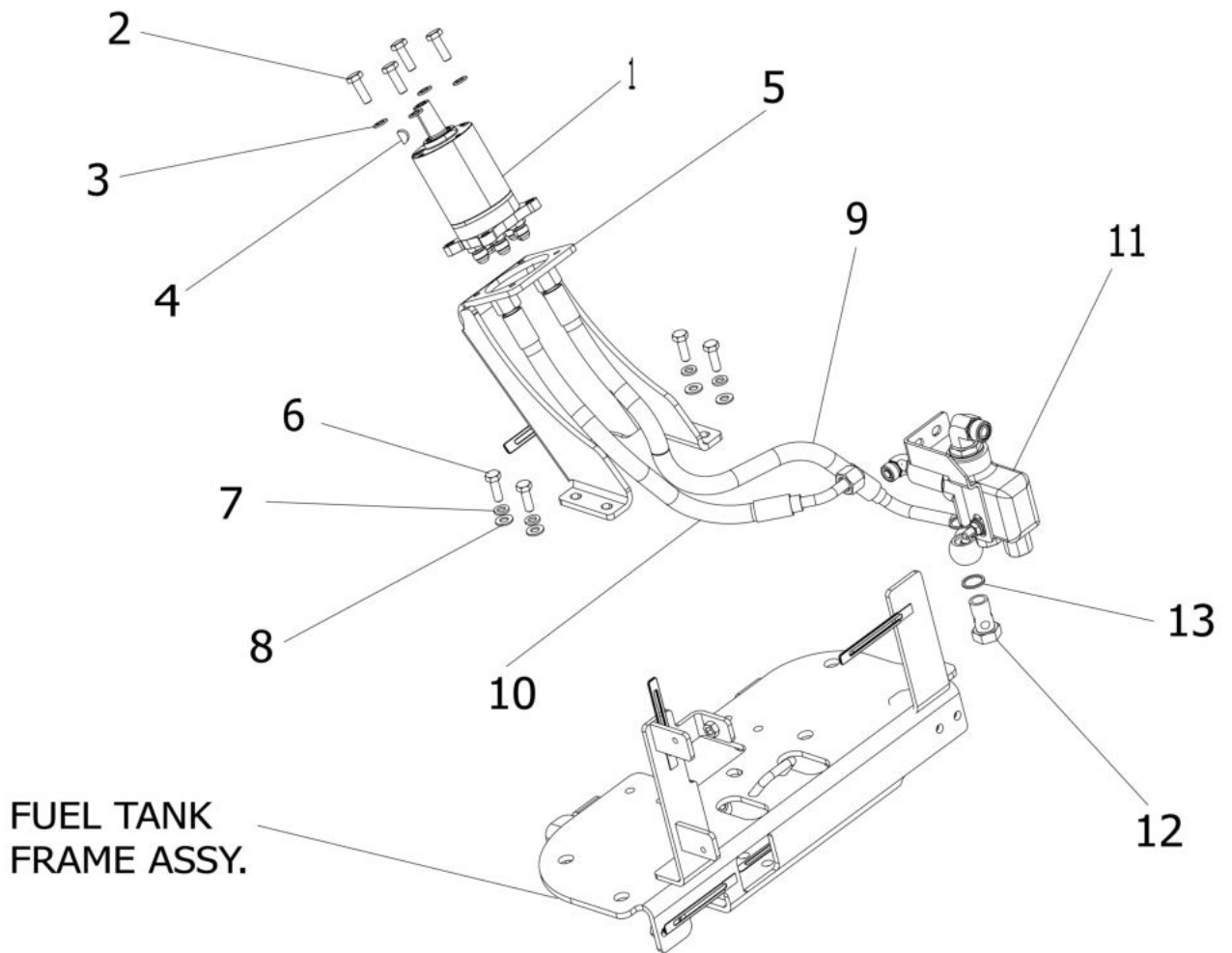
Sr.	Model	Item Code	Description	Qty	Int.	Remarks	Cut Off
1	SOLIS-26, SONALIKA-26	10053449BC	SECONDRY FLEXIBLE PIPE (STEERING UNIT TO STEERING CYLINDER L PORT)	1			
1	SOLIS-26, SONALIKA-26	10053449BD	SECONDRY FLEXIBLE PIPE (STEERING UNIT TOSECONDRY FLEXIBLE PIPE (STEERING UNIT TO STEERING CYLINDER L PORT)	1		INTERCHANGE ABLE WITH 10053449BF (ROHS)	
1	SOLIS-26, SONALIKA-26	10053449BF	SECONDRY FLEXIBLE PIPE (STEERING UNIT TO	1		(ROHS) INTERCHANGE ABLE WITH 10053449BD	
2	SOLIS-26, SONALIKA-26	10053448BC	SECONDRY FLEXIBLE PIPE (STEERING UNIT TO STEERING CYLINDER R PORT)	1			
2	SOLIS-26, SONALIKA-26	10053448BD	SECONDRY FLEXIBLE PIPE (STEERING UNIT TO STEERING CYLINDER R PORT)	1		INTERCHANGE ABLE WITH 10053448BF	

Sr.	Model	Item Code	Description	Qty	Int.	Remarks	Cut Off
						(ROHS)	
2	SOLIS-26, SONALIKA-26	10053448BF	SECONDRY FLEXIBLE PIPE (STEERING UNIT TO	1	YES	(ROHS) INTERCHANGE ABLE WITH 10053448BD	
3	SOLIS-26, SONALIKA-26	10053657AA	CLAMP ASSY (FOR FLEXIBLE PIPE)	1		DELETED	
4	SOLIS-26, SONALIKA-26	33085038AA	PLASTIC STRAP LENGTH=390mm	1			
4	SOLIS-26, SONALIKA-26	10004984AA	PLASTIC STRAP	1		INTERCHANGE ABLE WITH 10004984AB (ROHS)	
4	SOLIS-26, SONALIKA-26	10004984AB	PLASTIC STRAP	1	YES	(ROHS) INTERCHANGE ABLE WITH 10004984AA	
5	SOLIS-26, SONALIKA-26	10053656AA	CLAMP ASSY (ST. UNIT TO ST. CYLINDER)	5		INTERCHANGE ABLE WITH 10053656AC (ROHS)	
5	SOLIS-26, SONALIKA-26	10053656AC	CLAMP ASSY (ST. UNIT TO ST. CYLINDER)	5	YES	(ROHS) INTERCHANGE ABLE WITH 10053656AA	
6	SOLIS-26, SONALIKA-26	04040106016	HEX SCREW M6*16	5			
7	SOLIS-26, SONALIKA-26	04030400006	SPRING WASHER B-6	5			
8	SOLIS-26, SONALIKA-26	10053778AA	VIBRATION DAMPER	2		INTERCHANGE ABLE WITH 10053778AB (ROHS)	
8	SOLIS-26, SONALIKA-26	10053778AB	VIBRATION DAMPER	2	YES	(ROHS) INTERCHANGE ABLE WITH 10053778AA	
9	SOLIS-26, SONALIKA-26	10053773AA	METALLIC PIPE (ST UNIT L TO ST CYL LH	1			
9	SOLIS-26, SONALIKA-26	10053773BA	METALLIC PIPE (ST UNIT L TO ST CYL LH	1	NO	INTERCHANGE ABLE WITH 10053773CB (ROHS)	MMKST625708G 26
9	SOLIS-26, SONALIKA-26	10053773CB	METALLIC PIPE (ST UNIT 'L' TO ST CYL LH	1		(ROHS) INTERCHANGE ABLE WITH 10053773BA	
10	SOLIS-26, SONALIKA-26	10053772AA	METALLIC PIPE (ST UNIT R TO ST CYL RH	1		INTERCHANGE ABLE WITH 10053772BB (ROHS)	
10	SOLIS-26, SONALIKA-26	10053772BB	METALLIC PIPE (ST UNIT 'R' TO ST CYL RH	1		(ROHS) INTERCHANGE ABLE WITH 10053772AA	
11	SOLIS-26, SONALIKA-26	10012486AA	ORFS JIC 90° CONNECTION	2		INTERCHANGE ABLE WITH 10012486BB (ROHS)	
11	SOLIS-26, SONALIKA-26	10012486BB	ORFS JIC 90° CONNECTION	2		(ROHS) INTERCHANGE ABLE WITH 10012486AA	
12	SOLIS-26, SONALIKA-26	10053774AA	CLAMP FOR STEERING CYL PIPES	1			

Sr.	Model	Item Code	Description	Qty	Int.	Remarks	Cut Off
12	SOLIS-26, SONALIKA-26	10053774AB	CLAMP FOR STEERING CYL PIPES	1		INTERCHANGEABLE WITH 10053774AD (ROHS)	
12	SOLIS-26, SONALIKA-26	10053774AD	CLAMP FOR STEERING CYL PIPES	1		(ROHS) INTERCHANGEABLE WITH 10053774AB	
13	SOLIS-26, SONALIKA-26	20004049AA	HOSE WORM CLAMP DIA 52	1		INTERCHANGEABLE WITH 20004049AB (ROHS)	
13	SOLIS-26, SONALIKA-26	20004049AB	HOSE WORM CLAMP DIA 52	1	YES	(ROHS) INTERCHANGEABLE WITH 20004049AA	

10160A-1/1

STEERING UNIT ASSY.

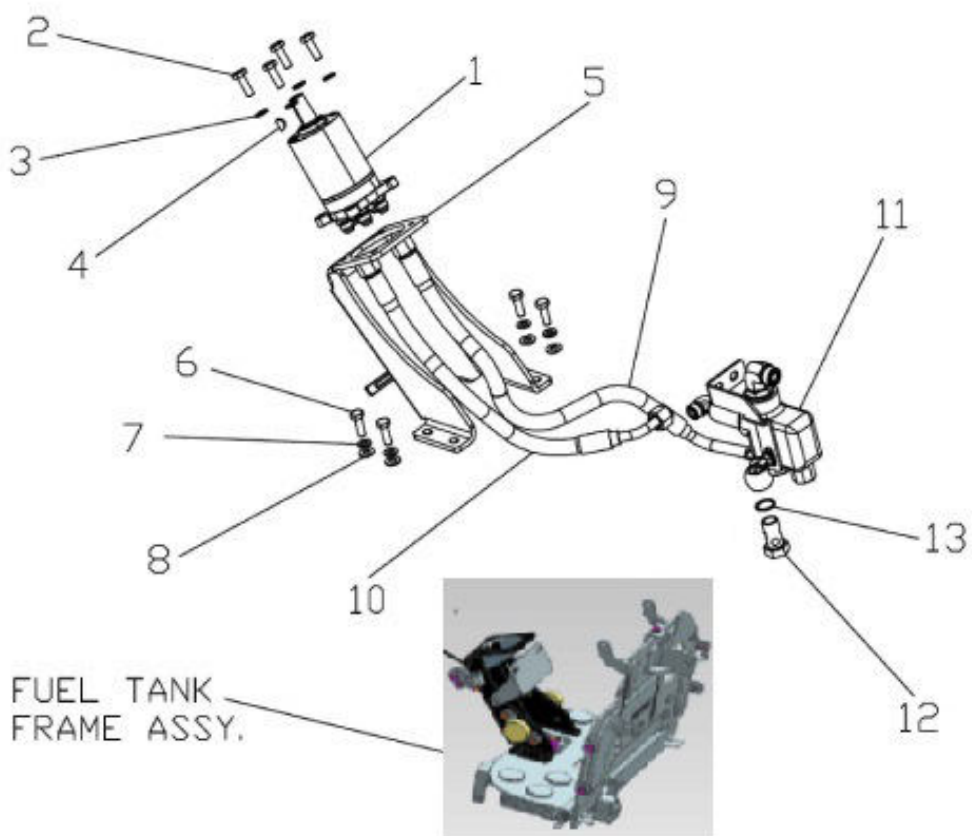


Sr.	Model	Item Code	Description	Qty	Int.	Remarks	Cut Off
1	SOLIS-26, SONALIKA-26	10052960AC	STEERING UNIT 40CC	1			
1	SOLIS-26, SONALIKA-26	10052960AE	STEERING UNIT 40CC	1			
2	SOLIS-26, SONALIKA-26	20001089AA	Hex. head screw M8 x 1.25-25 8-8 SA2JS	4			
3	SOLIS-26, SONALIKA-26	04030400008	SPRING WASHER B-8	4		INTERCHANGEABLE WITH 20005517AA (ROHS)	
3	SOLIS-26, SONALIKA-26	20005517AA	SPRING WASHER B-8 TYPE A IS: 3067-1972	4	YES	(ROHS) INTERCHANGEABLE WITH 04030400008	
4	SOLIS-26, SONALIKA-26	10053083AA	WOODRUF KEY	1			

Sr.	Model	Item Code	Description	Qty	Int.	Remarks	Cut Off
5	SOLIS-26, SONALIKA-26	10053305AA	STEERING UNIT MOUNTING BRACKET	1			
5	SOLIS-26, SONALIKA-26	10053305AB	STEERING UNIT MOUNTING BRACKET	1			
6	SOLIS-26, SONALIKA-26	20001089AA	Hex. head screw M8 x 1.25-25 8-8 SA2JS	4			
7	SOLIS-26, SONALIKA-26	04030400008	SPRING WASHER B-8	4		INTERCHANGEABLE WITH 20005517AA (ROHS)	
7	SOLIS-26, SONALIKA-26	20005517AA	SPRING WASHER B-8 TYPE A IS: 3067-1972	4	YES	(ROHS) INTERCHANGEABLE WITH 04030400008	
8	SOLIS-26, SONALIKA-26	04030600008	plain washer DIA 8.4 *DIA 17*1.6	4			
9	SOLIS-26, SONALIKA-26	10053310BB	FLEXIBLE PIPE FROM PRIORITY VALVE CF	1			
9	SOLIS-26, SONALIKA-26	10053310BC	FLEXIBLE PIPE FROM PRIORITY VALVE CF	1			
10	SOLIS-26, SONALIKA-26	10053309BC	FLEXIBLE PIPE FROM PRIORITY VALVE L T	1			
11	SOLIS-26, SONALIKA-26	10053068AA	PRIORITY VALVE	1			
12	SOLIS-26, SONALIKA-26	20003896AA	BANJO BOLT M18x1.5 IS:3174-1974	1		INTERCHANGEABLE WITH 20005628AA (ROHS)	
12	SOLIS-26, SONALIKA-26	20005628AA	BENJO BOLT M18X1.5 IS:3174-1974	1		(ROHS) INTERCHANGEABLE WITH 20003896AA	
13	SOLIS-26, SONALIKA-26	10012573AA	BONDED SEAL FOR M18	2			
14	SOLIS-26, SONALIKA-26	10011185AB	LOCTITE-577	2.61		IN ML,NOT SHOWN	

10161A-1/1

STEERING UNIT ASSY

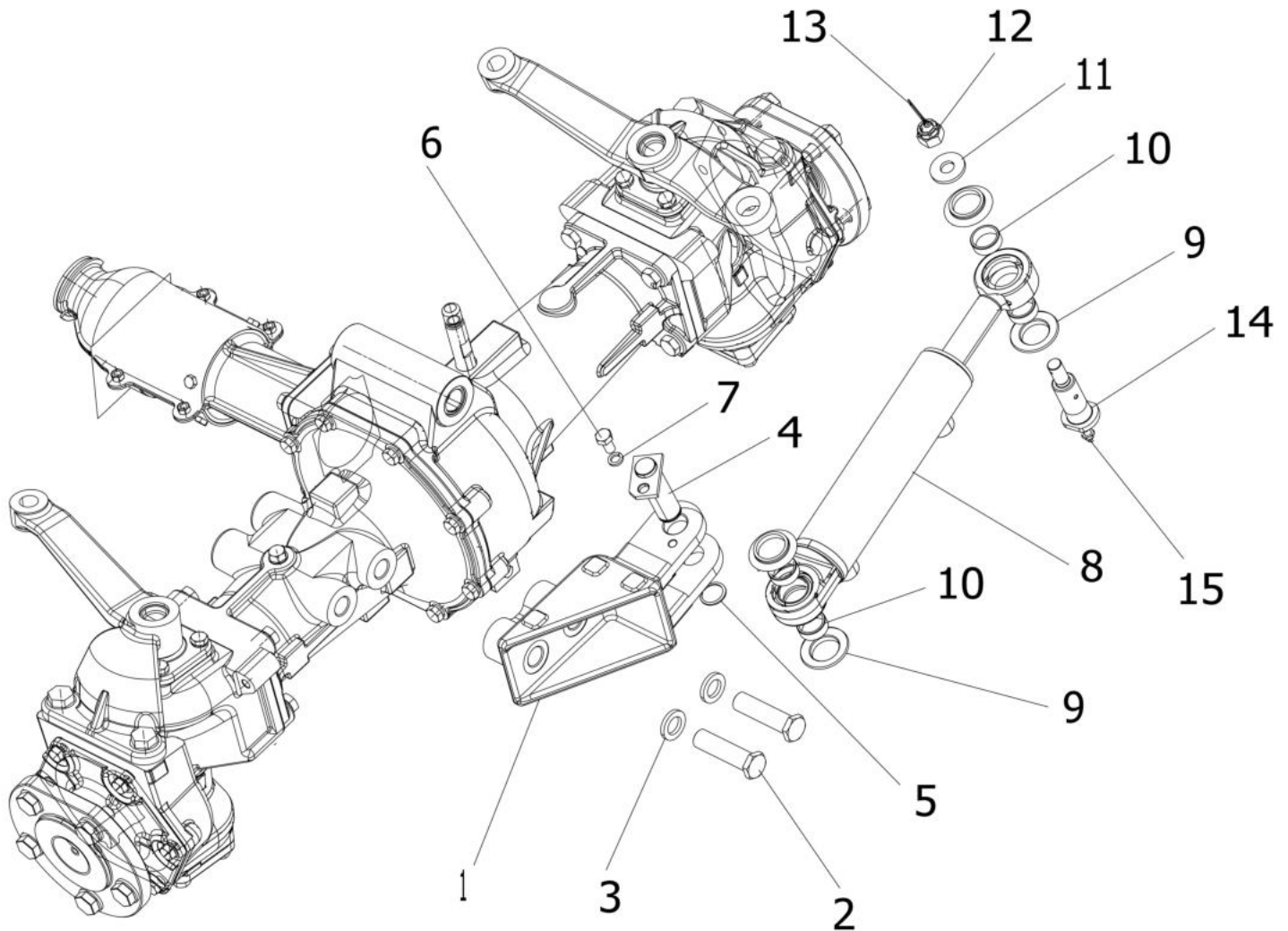


Sr.	Model	Item Code	Description	Qty	Int.	Remarks	Cut Off
1	ALL MODELS	10052960AE	STEERING UNIT 40CC	1			
2	ALL MODELS	20001089AA	Hex. head screw M8 x 1.25-25 8-8 SA2JS	4			
3	ALL MODELS	04030400008	SPRING WASHER B-8	4		INTERCHANGEABLE WITH 20005517AA (ROHS)	
3	ALL MODELS	20005517AA	SPRING WASHER B-8 TYPE A IS: 3067-1972	4	YES	(ROHS) INTERCHANGEABLE WITH 04030400008	
4	ALL MODELS	10053083AA	WOODRUF KEY	1			
5	ALL MODELS	10053305AE	STEERING UNIT MOUNTING BRACKET	1			

Sr.	Model	Item Code	Description	Qty	Int.	Remarks	Cut Off
6	ALL MODELS	20001089AA	Hex. head screw M8 x 1.25-25 8-8 SA2JS	4			
7	ALL MODELS	04030400008	SPRING WASHER B-8	4		INTERCHANGEABLE WITH 20005517AA (ROHS)	
7	ALL MODELS	20005517AA	SPRING WASHER B-8 TYPE A IS: 3067-1972	4	YES	(ROHS) INTERCHANGEABLE WITH 04030400008	
8	ALL MODELS	04030600008	plain washer DIA 8.4 *DIA 17*1.6	4			
9	ALL MODELS	10055544BA	PRIMARY PIPE FROM FROM PRIORITY VALVE CF	1		INTERCHANGEABLE WITH 10055544CB (ROHS)	
9	ALL MODELS	10055544CB	PRIMARY PIPE FROM FROM PRIORITY VALVE CF	1		(ROHS) INTERCHANGEABLE WITH 10055544BA	
10	ALL MODELS	10055563BA	FLEXIBLE PIPE FROM PRIORITY VALVE L T	1			
10	SONALIKA-26 FACELIFT	10055563BB	FLEXIBLE PIPE FROM PRIORITY VALVE L T	1			
11	ALL MODELS	10053068AA	PRIORITY VALVE	1			
12	ALL MODELS	20003896AA	BANJO BOLT M18x1.5 IS:3174-1974	1		INTERCHANGEABLE WITH 20005628AA (ROHS)	
12	ALL MODELS	20005628AA	BENJO BOLT M18X1.5 IS:3174-1974	1		(ROHS) INTERCHANGEABLE WITH 20003896AA	
13	ALL MODELS	10012573AA	BONDED SEAL FOR M18	2			
14	ALL MODELS	10011185AB	LOCTITE-577	2.61		IN ML,NOT SHOWN	

10170A-1/1

STEERING CYLINDER ASSY.



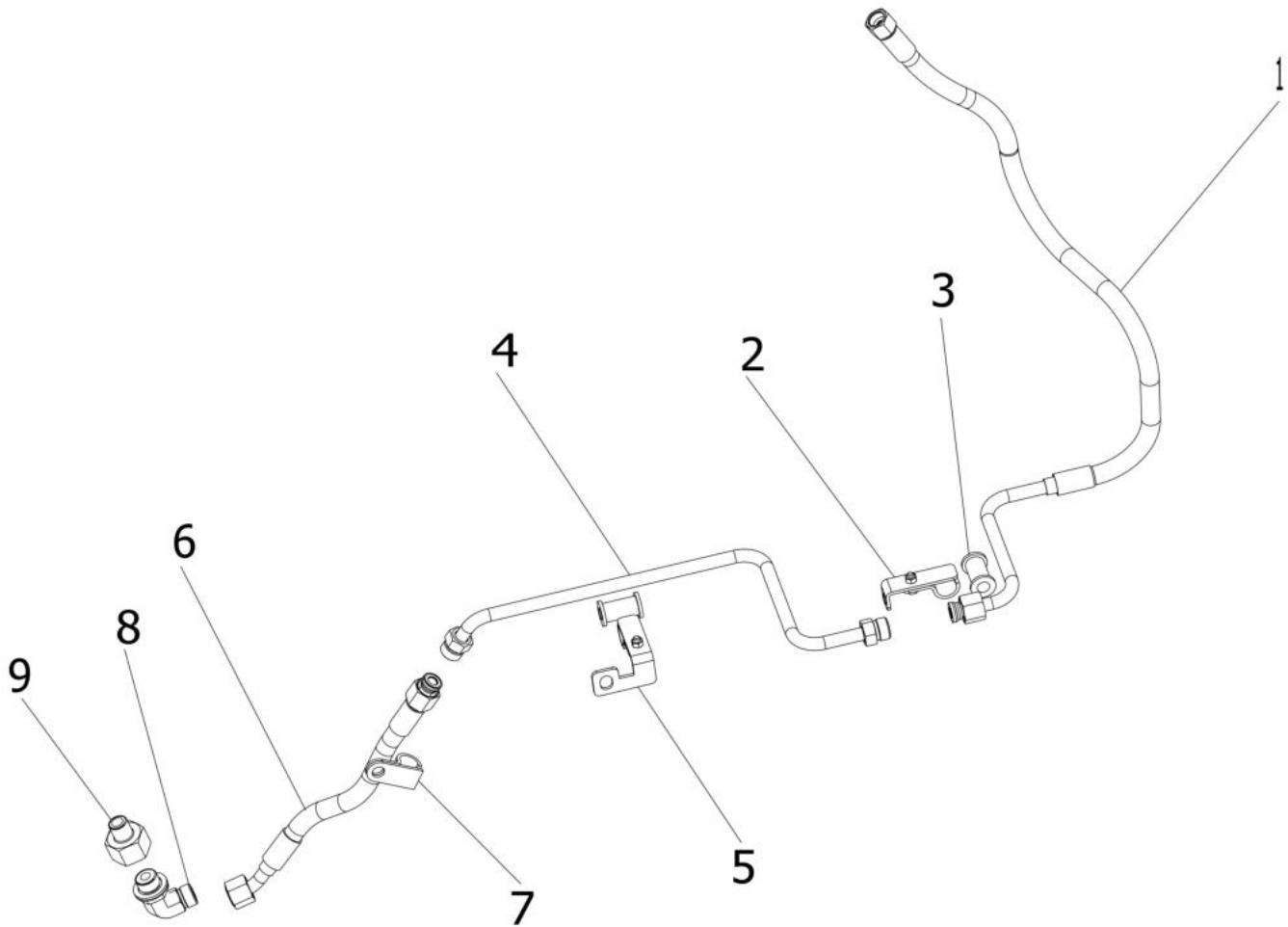
Sr.	Model	Item Code	Description	Qty	Int.	Remarks	Cut Off
1	SOLIS-26, SONALIKA-26, SOLIS-24	10053791AB	STEERING. CYL. MTG. BKT	1			
1	SOLIS-26, SONALIKA-26, SOLIS-24	10053791BA	STEERING. CYL. MTG. BKT	1	NO		MMKST625708G 26
2	SOLIS-26, SONALIKA-26	20004734AA	HEX BOLT M16X1.5X60 10.9 SA2JS	2		INTERCHANGE ABLE WITH 20005683AA (ROHS)	
2	SOLIS-26, SONALIKA-26	20005683AA	HEX BOLT M16X1.5-60 -10.9 SA4GS	2		(ROHS) INTERCHANGE ABLE WITH 20004734AA	
3	SOLIS-26, SONALIKA-26	04030400016	SPRING WASHER B-16	2		INTERCHANGE ABLE WITH 20004994AB (ROHS)	

Sr.	Model	Item Code	Description	Qty	Int.	Remarks	Cut Off
3	SOLIS-26, SONALIKA-26	20004994AB	SPRING WASHER B-16 TYPE-A IS: 3063-1972	2	YES	(ROHS) INTERCHANGE ABLE WITH 04030400016	
4	SOLIS-26, SONALIKA-26	10053078AA	LOCKING PIN	1			
5	SOLIS-26, SONALIKA-26	10070787AA	CIRCLIP 20X1.75XH IS: 3075 (PART 1)	1			
6	SOLIS-26, SONALIKA-26	20002059AA	HEX HEAD SCREW M8X1.25X16 8-8 SA2JS	1		INTERCHANGE ABLE WITH 20005559AA (ROHS)	
6	SOLIS-26, SONALIKA-26	20005559AA	HEX HEAD SCREW M8X1.25X16 -8.8 SA4GS	1		(ROHS) INTERCHANGE ABLE WITH 20002059AA	
7	SOLIS-26, SONALIKA-26	04030400008	SPRING WASHER B-8	1		INTERCHANGE ABLE WITH 20005517AA (ROHS)	
7	SOLIS-26, SONALIKA-26	20005517AA	SPRING WASHER B-8 TYPE A IS: 3067-1972	1	YES	(ROHS) INTERCHANGE ABLE WITH 04030400008	
8	SOLIS-26, SONALIKA-26	10052959AA	STEERING CYLINDER	1		INTERCHANGE ABLE WITH 10052959BA (ROHS)	
8	SOLIS-26, SONALIKA-26, SOLIS-24	10052959AB	STEERING CYLINDER	1			
8	SOLIS-26, SONALIKA-26, SOLIS-24	10052959BA	STEERING CYLINDER	1	NO		MMKST625708G 26
8	SOLIS-26, SONALIKA-26	10052959BA	STEERING CYLINDER	1		(ROHS) INTERCHANGE ABLE WITH 10052959AA	
9	SOLIS-26, SONALIKA-26	10070775AA	RUBBER PAD FOR SPACER	4		INTERCHANGE ABLE WITH 10070775AB (ROHS)	
9	SOLIS-26, SONALIKA-26	10070775AB	RUBBER PAD FOR SPACER	4	YES	(ROHS) INTERCHANGE ABLE WITH 10070775AA	
10	SOLIS-26, SONALIKA-26	10070768AA	SPACER CYLINDER	4		INTERCHANGE ABLE WITH 300003127A (ROHS)	
10	SOLIS-26, SONALIKA-26	300003127A	SPACER CYLINDER FOR EPA	4		(ROHS) INTERCHANGE ABLE WITH 10070768AA	
11	SOLIS-26, SONALIKA-26	10053086AA	SPACER	1		INTERCHANGE ABLE WITH 300028566A (ROHS)	
11	SOLIS-26, SONALIKA-26	300028566A	SPACER	1		(ROHS) INTERCHANGE ABLE WITH 10053086AA	
12	SOLIS-26, SONALIKA-26	20004653AA	CASTLE NUT	1		INTERCHANGE ABLE WITH 20005008AB (ROHS)	
12	SOLIS-26, SONALIKA-26	20005008AB	CASTLE NUT	1		(ROHS) INTERCHANGE	

Sr.	Model	Item Code	Description	Qty	Int.	Remarks	Cut Off
						ABLE WITH 20004653AA	
13	SOLIS-26, SONALIKA-26	04010102025	SPLIT PIN DIA 2*25	1			
14	SOLIS-26, SONALIKA-26	10053080AC	PIN DIA-20	1			
15	SOLIS-26, SONALIKA-26	20004029AA	GREASE NIPPLE M6X1	1			

10180A-1/1

RETURN TANK LINE

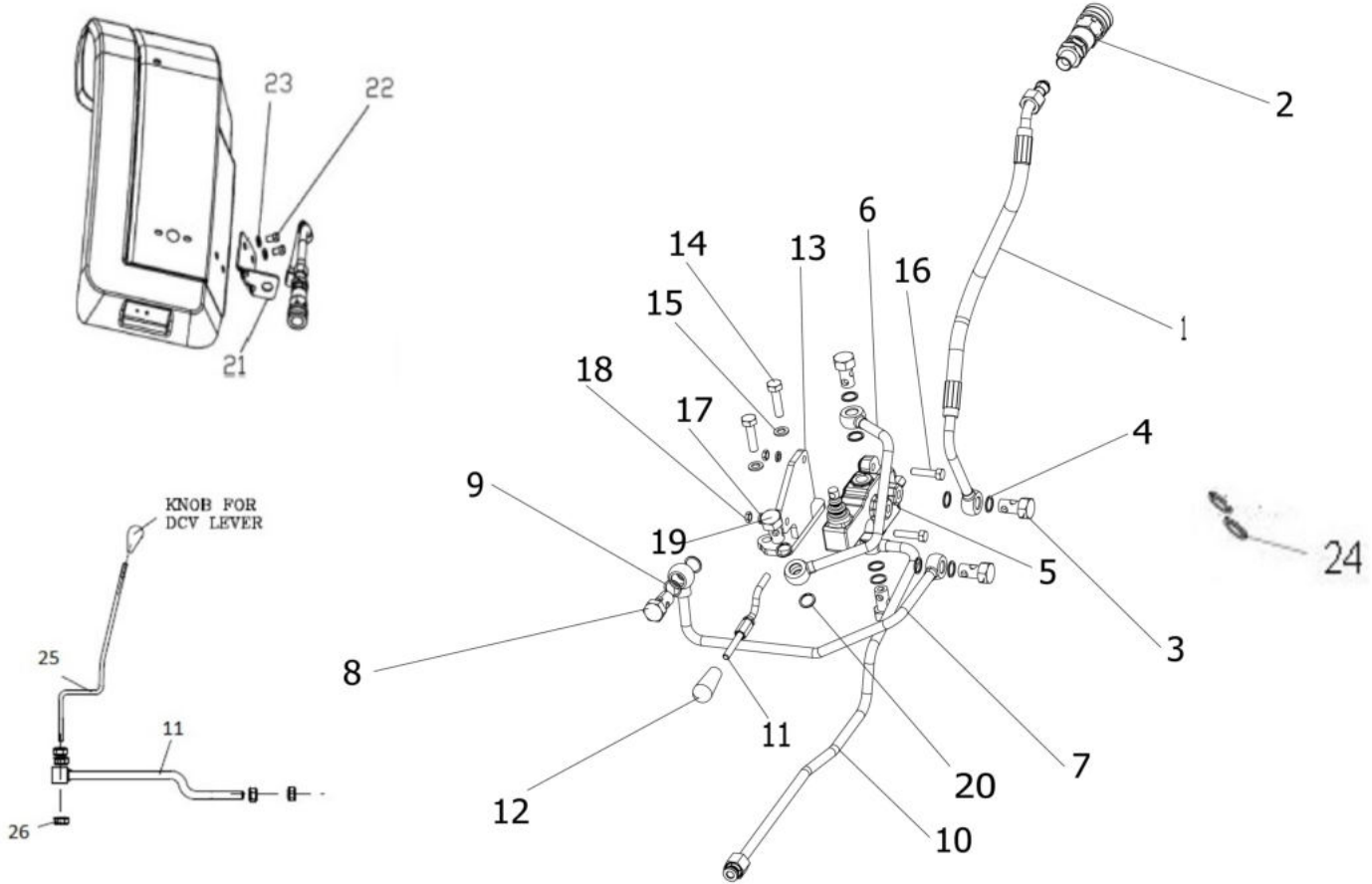


Sr.	Model	Item Code	Description	Qty	Int.	Remarks	Cut Off
1	SOLIS-26, SONALIKA-26	10053308BA	FLEXIBLE PIPE FROM STG UNIT T TO REAR COVER TANK	1			
1	SOLIS-26, SONALIKA-26	10053308BB	FLEXIBLE PIPE FROM STG UNIT T TO REAR COVER TANK	1			
2	SOLIS-26, SONALIKA-26	10053666AA	CLAMP FOR FLEXIBLE RETURN PIPE	1		DELETED	
3	SOLIS-26, SONALIKA-26	10051486AA	VIBRATION DAMPER	2		INTERCHANGEABLE WITH 10051486AB (ROHS)	
3	SOLIS-26, SONALIKA-26	10051486AB	VIBRATION DAMPER	2	YES	(ROHS) INTERCHANGEABLE WITH 10051486AA	
4	SOLIS-26, SONALIKA-26	10053332AC	RETURN PIPE FROM STEERING UNIT TO REAR COVER	1			

Sr.	Model	Item Code	Description	Qty	Int.	Remarks	Cut Off
5	SOLIS-26, SONALIKA-26	10053390AC	CLAMP FOR RETURN PIPE	1		DELETED	
6	SOLIS-26, SONALIKA-26	10054028AA	SEC FLEX PIPE FRM STEERING UNIT TO TANK	1			
7	SOLIS-26, SONALIKA-26	10054029AA	CLAMP BASE PLATE FR FLEXIBLE RETURN PIPE	1			
8	SOLIS-26, SONALIKA-26	10053155BA	90° ADJUSTABLE STUD ELBOW 12 x G1/2-A	1			
9	SOLIS-26, SONALIKA-26	10054021AA	ADOPTER FOR RETURN TANK LINE	1		INTERCHANGEABLE WITH 10054021AC (ROHS)	
9	SOLIS-26, SONALIKA-26	10054021AC	ADOPTER FOR RETURN TANK LINE	1		(ROHS) INTERCHANGEABLE WITH 10054021AA	

10190A-1/1

ISA DCV ASSY.



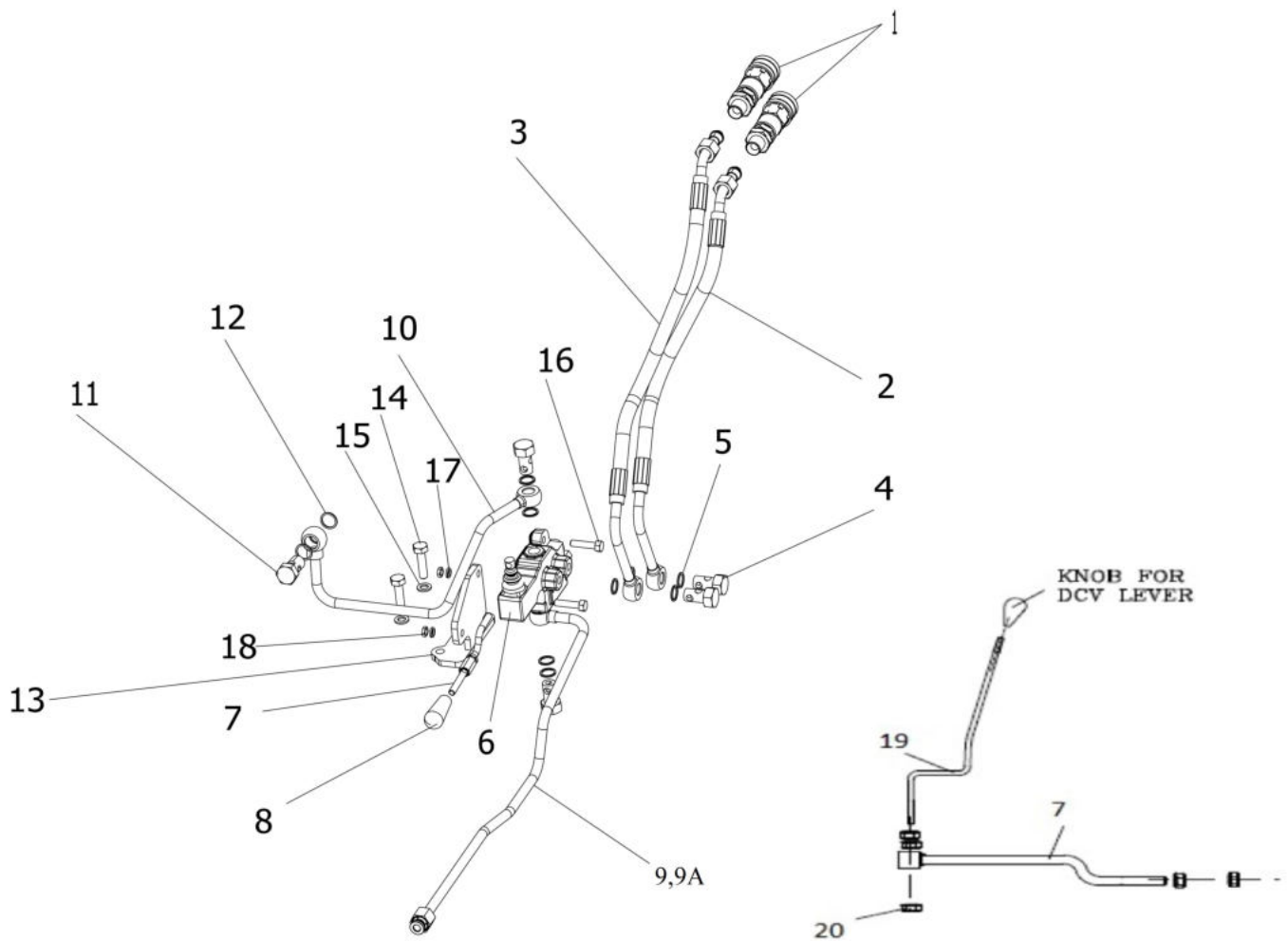
Sr.	Model	Item Code	Description	Qty	Int.	Remarks	Cut Off
1	SOLIS-26, SONALIKA-26	10053695AA	Pipe From DCV To QRC	1			
1	SOLIS-26, SONALIKA-26	10054640AA	PIPE FROM DCV TO QRC	1			
2	SOLIS-26, SONALIKA-26	10005409AB	FEMALE QUICK CONNECT COUPLING-1/2 BSP	1			
2	SOLIS-26, SONALIKA-26	10005405AA	MALE QUICK CONNECT COUPLER-1/2 BSP	1		INTERCHANGEABLE WITH 10039219AA (ROHS)	
2	SOLIS-26, SONALIKA-26	10005406AA	FEMALE DUST PLUG-RED SPAV. 13002	1		INTERCHANGEABLE WITH 10005406AB (ROHS)	
2	SOLIS-26, SONALIKA-26	10005407AA	MALE DUST PLUG-YELLOW SPAV. 13003	1			

Sr.	Model	Item Code	Description	Qty	Int.	Remarks	Cut Off
2	SOLIS-26, SONALIKA-26	10005406AB	FEMALE DUST PLUG-RED SPAV. 13002	1	YES	(ROHS) INTERCHANGEABLE WITH 10005406AA	
2	SOLIS-26, SONALIKA-26	10039219AA	MALE QUICK CONNECT COUPLER-1/2"BSP	1		(ROHS) INTERCHANGEABLE WITH 10005405AA	
3	SOLIS-26, SONALIKA-26	10024269AA	BANJO BOLT Ø16.4(19TPI)	4			
4	SOLIS-26, SONALIKA-26	10012585AA	BONDED SEAL FOR 3/8 BSP	8			
4	SOLIS-26, SONALIKA-26	10012585AB	BONDED SEAL FOR 3/8 BSP	1			
5	SOLIS-26, SONALIKA-26	10001659AB	DCV (SINGLE ACTING) BB01	1			
6	SOLIS-26, SONALIKA-26	10052357AC	PIPE (DCV TO BRAKE HOUSING LH)	1			
7	SOLIS-26, SONALIKA-26	10052358AB	PIPE(DCV TO REAR COVER)	1			
8	SOLIS-26, SONALIKA-26	20003896AA	BANJO BOLT M18x1.5 IS:3174-1974	1		INTERCHANGEABLE WITH 20005628AA (ROHS)	
8	SOLIS-26, SONALIKA-26	20005628AA	BENJO BOLT M18X1.5 IS:3174-1974	1		(ROHS) INTERCHANGEABLE WITH 20003896AA	
9	SOLIS-26, SONALIKA-26	10012573AA	BONDED SEAL FOR M18	2			
10	SOLIS-26, SONALIKA-26	10053328AA	SECONDARY DELIVERY PIPE (PRIORITY VALVE	1			
10	SOLIS-26, SONALIKA-26	10053328AB	SECONDARY DELIVERY PIPE (PRIORITY VALVE	1			
11	SOLIS-26, SONALIKA-26	10053668AB	DCV LEVER	1		INTERCHANGEABLE WITH 10053668AC (ROHS)	
11	SOLIS-26, SONALIKA-26	10053668AC	DCV LEVER	1			
11	SOLIS-26, SONALIKA-26	10056559AA	DCV LEVER UNPAINTED	1	YES AS A SET	Following part (10053668AC) is need to be change as a set with (10056559AA, 10056560AA, 20003355AB)	MEMFMKSF559 605G26
11	SOLIS-26, SONALIKA-26	10056561AA	DCV LEVER PAINTED	1		NEW PART ADDED FROM	MEMFMKSF559 605G26
11	SOLIS-26, SONALIKA-26	10053668AC	DCV LEVER	1		(ROHS) INTERCHANGEABLE WITH 10053668AB	
12	SOLIS-26, SONALIKA-26	10004846AA	KNOB (ROD ASSY / HANDLER PTO)	1		INTERCHANGEABLE WITH 10004846AC (ROHS)	
12	SOLIS-26, SONALIKA-26	10004846AC	KNOB (ROD ASSY / HANDLER PTO)	1	YES	(ROHS) INTERCHANGEABLE WITH 10004846AA	
13	SOLIS-26, SONALIKA-26	10052355AB	DCV MTG. BKT.	1			
14	SOLIS-26, SONALIKA-26	20003230AA	HEX BOLT M10*1.5*40 8-8 SA3NS	2			

Sr.	Model	Item Code	Description	Qty	Int.	Remarks	Cut Off
15	SOLIS-26, SONALIKA-26	04030400010	SPRING WASHER B-10	2			
16	SOLIS-26, SONALIKA-26	20003285AB	HEX SCREW M8X1.25X30 8-8 SA2JS	2			
17	SOLIS-26, SONALIKA-26	04030400008	SPRING WASHER B-8	2		INTERCHANGEABLE WITH 20005517AA (ROHS)	
17	SOLIS-26, SONALIKA-26	20005517AA	SPRING WASHER B-8 TYPE A IS: 3067-1972	2	YES	(ROHS) INTERCHANGEABLE WITH 04030400008	
18	SOLIS-26, SONALIKA-26	04041000008	HEX NYLOCK NUT M8*1.25	2		INTERCHANGEABLE WITH 20004917AB (ROHS)	
18	SOLIS-26, SONALIKA-26	20004917AB	HEX NYLOC NUT M8*1.25 8	2		(ROHS) INTERCHANGEABLE WITH 04041000008	
19	SOLIS-26, SONALIKA-26	04080700016	BENJO BOLT M16*1.5*28 (4 HOLES)	1			
20	SOLIS-26, SONALIKA-26	10012572AA	BONDED SEAL FOR M16	1			
21	SOLIS-26, SONALIKA-26	10054641AA	QRC MOUNTING BKT. (BLUE PAINT)	1		QTY WILL BE 4 FOR 2DA OPTION MODELS FROM	
21	SOLIS-26, SONALIKA-26	10054628AA	QRC MOUNTING BKT. (W/O PAINT)	1			
22	SOLIS-26, SONALIKA-26	20002015AB	HEX HEAD SCREW M10x1.5x25 8-8 SA2JS	2			
23	SOLIS-26, SONALIKA-26	04030400010	SPRING WASHER B-10	2			
24	SOLIS-26,SONALIKA-26 WITH DCV MODELS	10012585AB	BONDED SEAL FOR 3/8 BSP	2		QTY WILL BE 4 FOR 2DA OPTION MODELS FROM	DYASU519445S3
25	SOLIS-26,SONALIKA-26WITH DCV MODELSSOLIS-24	10056560AA	DCV LEVER 2 UNPAINTED	1		NEW PART ADDED FROM	MEMFMKSF559605G26
25	SOLIS-26,SONALIKA-26 WITH DCV MODELS	10056563AA	DCV LEVER 2 PAINTED (BLACK)	1		NEW PART ADDED FROM	MEMFMKSF559605G26
26	SOLIS-26,SONALIKA-26 WITH DCV MODELS	20003355AB	HEX NUT M8X1.25 -8 SA2JS	5		NEW PART ADDED FROM	MEMFMKSF559605G26
27	SOLIS-26,SONALIKA-26 WITH DCV MODELS	10056549AA	SELANT LOCTITE - 5920	10ML		NOT SHOWN, QTY IN ML, NEW PART ADDED FROM	MEMFMKSF559605G26

10200A-1/1

2DA DCV ASSY.



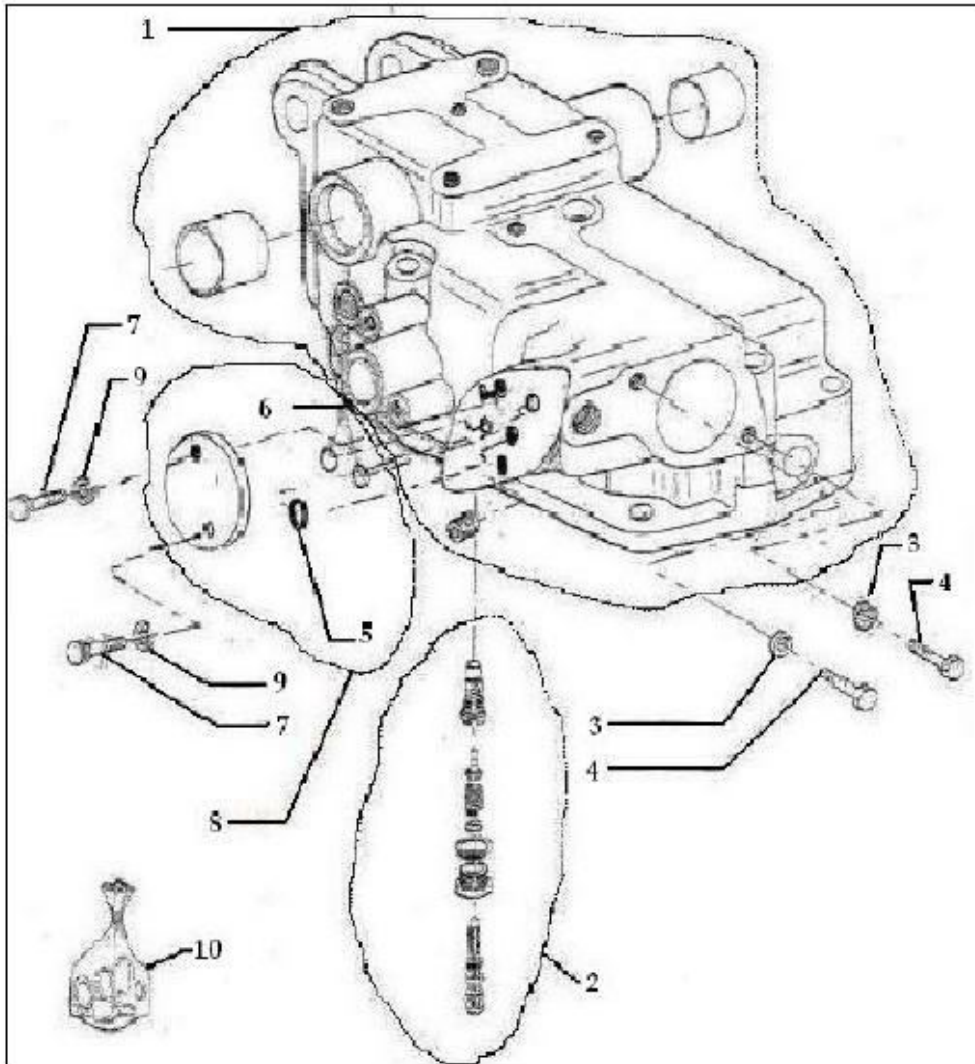
Sr.	Model	Item Code	Description	Qty	Int.	Remarks	Cut Off
1	SOLIS-26,SONALIKA-26	10005409AB	FEMALE QUICK CONNECT COUPLING-1/2 BSP	2			
1	SOLIS-26,SONALIKA-26	10005405AA	MALE QUICK CONNECT COUPLER-1/2 BSP	2		INTERCHANGEABLE WITH 10039219AA (ROHS)	
1	SOLIS-26,SONALIKA-26	10005406AA	FEMALE DUST PLUG-RED SPAV. 13002	2		INTERCHANGEABLE WITH 10005406AB (ROHS)	
1	SOLIS-26,SONALIKA-26	10005407AA	MALE DUST PLUG-YELLOW SPAV. 13003	2			
1	SOLIS-26,SONALIKA-26	10005406AB	FEMALE DUST PLUG-RED SPAV. 13002	2	YES	(ROHS) INTERCHANGEABLE WITH 10005406AA	

Sr.	Model	Item Code	Description	Qty	Int.	Remarks	Cut Off
1	SOLIS-26,SONALIKA-26	10039219AA	MALE QUICK CONNECT COUPLER-1/2"BSP	2		(ROHS) INTERCHANGE ABLE WITH 10005405AA	
2	SOLIS-26,SONALIKA-26	10053695AA	PIPE FROM DCV TO QRC	1			
2	SOLIS-26,SONALIKA-26	10054134AA	PIPE FROM DCV TO QRC-1	1		INTERCHANGE ABLE WITH 300028472A (ROHS)	
2	SOLIS-26,SONALIKA-26	300028472A	PIPE FROM DCV TO QRC-1	1		(ROHS) INTERCHANGE ABLE WITH 10054134AA	
2	SONALIKA-26 FACELIFT	10054134BB	PIPE FROM DCV TO QRC-1	1			
3	SOLIS-26,SONALIKA-26	10053838AA	PIPE FROM DCV TO QRC 2	1		INTERCHANGE ABLE WITH 10053838BB (ROHS)	
3	SOLIS-26,SONALIKA-26	10053838AB	PIPE FROM DCV TO QRC 2	1		INTERCHANGE ABLE WITH 300028471A (ROHS)	
3	SOLIS-26,SONALIKA-26	10053838BB	PIPE FROM DCV TO QRC 2	1		(ROHS) INTERCHANGE ABLE WITH 10053838AA	
3	SOLIS-26,SONALIKA-26	300028471A	PIPE FROM DCV TO QRC-2	1		(ROHS) INTERCHANGE ABLE WITH 10053838AB	
4	SOLIS-26,SONALIKA-26	10024269AA	BANJO BOLT Ø16.4(19TPI)	4			
5	SOLIS-26,SONALIKA-26	10012585AA	BONDED SEAL FOR 3/8 BSP	8			
5	SOLIS-26,SONALIKA-26	10012585AB	BONDED SEAL FOR 3/8 BSP	8			
6	SOLIS-26,SONALIKA-26	10053907AA	1DA DCV (NON-CONVERTIBLE)	1		INTERCHANGE ABLE WITH 10053907AB (ROHS)	
6	SOLIS-26,SONALIKA-26	10053907AB	1DA DCV (NON-CONVERTIBLE)	1	YES	(ROHS) INTERCHANGE ABLE WITH 10053907AA	
7	SOLIS-26,SONALIKA-26	10053668AB	DCV LEVER	1		INTERCHANGE ABLE WITH 10053668AC (ROHS)	
7	SOLIS-26,SONALIKA-26	10053668AC	DCV LEVER	1			
7	SOLIS-26,SONALIKA-26	10056559AA	DCV LEVER UNPAINTED	1	YES AS A SET	Following part (10053668AC) is need to be change as a set with (10056559AA, 10056560AA, 20003355AB)	MEMFMKSF559 605G26
7	SOLIS-26,SONALIKA-26	10056561AA	DCV LEVER PAINTED	1		NEW PART ADDED FROM	MEMFMKSF559 605G26
7	SOLIS-26,SONALIKA-26	10053668AC	DCV LEVER	1		(ROHS) INTERCHANGE ABLE WITH 10053668AB	

Sr.	Model	Item Code	Description	Qty	Int.	Remarks	Cut Off
8	SOLIS-26,SONALIKA-26	10004846AB	KNOB (ROD ASSY / HANDLER PTO)	1		INTERCHANGEABLE WITH 300007872A (ROHS)	
8	SOLIS-26,SONALIKA-26	300007872A	KNOB (ROD ASSY / HANDLER PTO)	1	YES	(ROHS) INTERCHANGEABLE WITH 10004846AB	
9	SOLIS-26 EXCEPT FACELIFT,SONALIKA-26	10053328AA	SECONDARY DELIVERY PIPE (PRIORITY VALVE)	1			
9	SOLIS-26 EXCEPT FACELIFT,SONALIKA-26	10053328AB	SECONDARY DELIVERY PIPE (PRIORITY VALVE)	1			
9A	SOLIS-26 FACELIFT	300034236A	SECONDARY DELIVERY PIPE (PRIORITY VALVE)	1			
9	SONALIKA-26 FACELIFT	10053328AB	SECONDARY DELIVERY PIPE (PRIORITY VALVE)	1			
10	SOLIS-26,SONALIKA-26	10053839AA	PIPE FROM DCV TO LIFT	1			
11	SOLIS-26,SONALIKA-26	20003896AA	BANJO BOLT M18X1.5 IS:3174-1974	1		INTERCHANGEABLE WITH 20005628AA (ROHS)	
11	SOLIS-26,SONALIKA-26	20005628AA	BENJO BOLT M18X1.5 IS:3174-1974	1		(ROHS) INTERCHANGEABLE WITH 20003896AA	
12	SOLIS-26,SONALIKA-26	10012573AA	BONDED SEAL FOR M18	2			
13	SOLIS-26,SONALIKA-26	10052355AB	DCV MTG. BKT.	1			
14	SOLIS-26,SONALIKA-26	20003230AA	HEX BOLT M10*1.5*40 8-8 SA3NS	2			
15	SOLIS-26,SONALIKA-26	04030400010	SPRING WASHER B-10	2			
16	SOLIS-26,SONALIKA-26	20003285AB	HEX SCREW M8X1.25X30 8-8 SA2JS	2			
17	SOLIS-26,SONALIKA-26	04030400008	SPRING WASHER B-8	2		INTERCHANGEABLE WITH 20005517AA (ROHS)	
17	SOLIS-26,SONALIKA-26	20005517AA	SPRING WASHER B-8 TYPE A IS: 3067-1972	2	YES	(ROHS) INTERCHANGEABLE WITH 04030400008	
18	SOLIS-26,SONALIKA-26	04041000008	HEX NYLOCK NUT M8*1.25	2		INTERCHANGEABLE WITH 20004917AB (ROHS)	
18	SOLIS-26,SONALIKA-26	20004917AB	HEX NYLOC NUT M8*1.25 8	2		(ROHS) INTERCHANGEABLE WITH 04041000008	
19	WITH DCV MODELS	10056560AA	DCV LEVER 2 UNPAINTED	1		NEW PART ADDED FROM	MEMFMKSF559 605G26
19	WITH DCV MODELS	10056563AA	DCV LEVER 2 PAINTED (BLACK)	1		NEW PART ADDED FROM	MEMFMKSF559 605G26
20	WITH DCV MODELS	20003355AB	HEX NUT M8X1.25 -8 SA2JS	5		NEW PART ADDED FROM	MEMFMKSF559 605G26
21	WITH DCV MODELS	10056549AA	SELANT LOCTITE - 5920	10 ML		NOT SHOWN, QTY IN ML, NEW PART ADDED FROM	MEMFMKSF559 605G26

10210A-1/1

LIFT BODY ASSEMBLY.



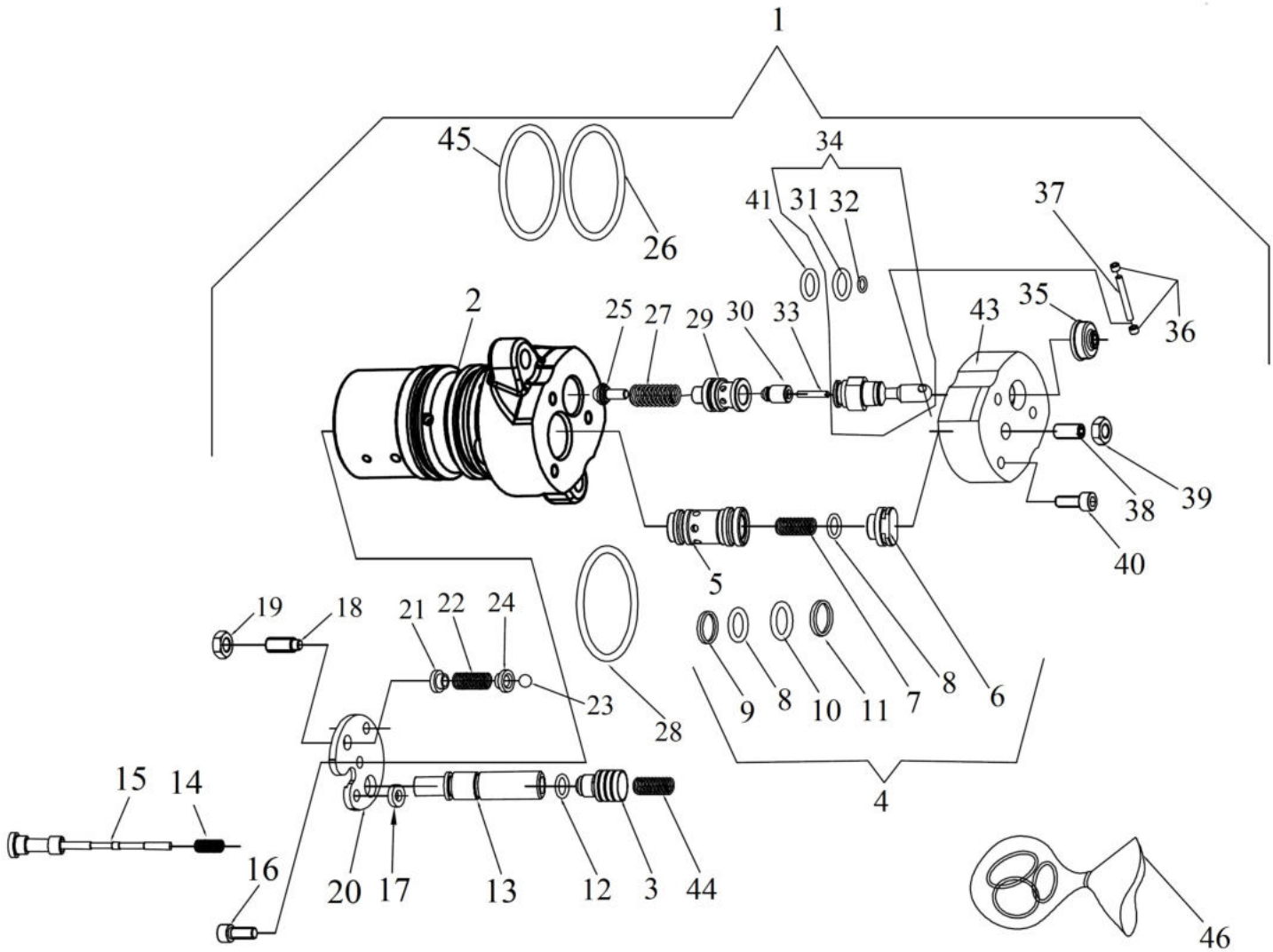
Sr.	Model	Item Code	Description	Qty	Int.	Remarks	Cut Off
1	SOLIS-26,SONALIKA-26	10051982AA	LIFT BODY ASSEMBLY	1		CHILD PART DETAILS OF 10051219AC	
1	SOLIS-26,SONALIKA-26	300119669A	LIFT BODY ASSEMBLY_10051219BA	1	NO	CHILD PART OF 10051219BA	
2	SOLIS-26,SONALIKA-26	10051983AA	KIT RELIEF VALVE	1		CHILD PART DETAILS OF 10051219AC	
2A	SOLIS-26,SONALIKA-26	10052854AA	SEAT VALVE	1		S.NO 2A TO 2K ARE THE SUB PARTS OF S. NO 2,CHILD PART DETAILS OF 10051219AC	
2B	SOLIS-26,SONALIKA-26	10052855AA	PIN VALVE	1		S.NO 2A TO 2K	

Sr.	Model	Item Code	Description	Qty	Int.	Remarks	Cut Off
						ARE THE SUB PARTS OF S. NO 2,CHILD PART DETAILS OF 10051219AC	
2C	SOLIS-26,SONALIKA-26	10052856AA	SPRING	1		S.NO 2A TO 2K ARE THE SUB PARTS OF S. NO 2,CHILD PART DETAILS OF 10051219AC	
2D	SOLIS-26,SONALIKA-26	10052857AA	SPRING SLIDE	1		S.NO 2A TO 2K ARE THE SUB PARTS OF S. NO 2,CHILD PART DETAILS OF 10051219AC	
2E	SOLIS-26,SONALIKA-26	10052858AA	COPPER WASHER	1		S.NO 2A TO 2K ARE THE SUB PARTS OF S. NO 2,CHILD PART DETAILS OF 10051219AC	
2F	SOLIS-26,SONALIKA-26	10052859AA	SCREW PLUG	1		S.NO 2A TO 2K ARE THE SUB PARTS OF S. NO 2,CHILD PART DETAILS OF 10051219AC	
2G	SOLIS-26,SONALIKA-26	10052860AA	SCREW	1		S.NO 2A TO 2K ARE THE SUB PARTS OF S. NO 2,CHILD PART DETAILS OF 10051219AC	
2H	SOLIS-26,SONALIKA-26	10052861AA	LOCK NUT	1		S.NO 2A TO 2K ARE THE SUB PARTS OF S. NO 2,CHILD PART DETAILS OF 10051219AC	
2J	SOLIS-26,SONALIKA-26	10052862AA	COPPER WASHER 8.5*14*1.5	2		S.NO 2A TO 2K ARE THE SUB PARTS OF S. NO 2,CHILD PART DETAILS OF 10051219AC	
2K	SOLIS-26,SONALIKA-26	10052865AA	DOME NUT	1		S.NO 2A TO 2K ARE THE SUB PARTS OF S. NO 2,CHILD PART DETAILS OF 10051219AC	
3	SOLIS-26,SONALIKA-26	10051984AA	LOCKWASHER D=8 DIN 7980	2		CHILD PART DETAILS OF 10051219AC	

Sr.	Model	Item Code	Description	Qty	Int.	Remarks	Cut Off
4	SOLIS-26,SONALIKA-26	10051985AA	SCREW M8X35 8G DIN 931	2		CHILD PART DETAILS OF 10051219AC	
5	SOLIS-26,SONALIKA-26	10051986AA	ENCL. IN SEAL KIT	1		CHILD PART DETAILS OF 10051219AC	
6	SOLIS-26,SONALIKA-26	10051987AA	ENCL. IN SEAL KIT	1		CHILD PART DETAILS OF 10051219AC	
7	SOLIS-26,SONALIKA-26	10051988AA	SCREW M10X35 UNI5737	2		CHILD PART DETAILS OF 10051219AC	
8	SOLIS-26,SONALIKA-26	10051989AA	KIT FLANGE WITH O-RING	1		PARTS INCLUDE S.NO 5+8A+8B, CHILD PART DETAILS OF 10051219AC	
8A	SOLIS-26,SONALIKA-26	10053060AA	CLOSING FLANGE	1		NOT SHOWN, CHILD PART DETAILS OF 10051219AC	
8B	SOLIS-26,SONALIKA-26	10053061AA	O RING	1		CHILD PART DETAILS OF 10051219AC	
9	SOLIS-26,SONALIKA-26	10051990AA	WASHER D=10/20X2,6 ZN	2		CHILD PART DETAILS OF 10051219AC	
10	SOLIS-26,SONALIKA-26	10051991AA	SEAL KIT	1		CHILD PART DETAILS OF 10051219AC	
10	SOLIS-26,SONALIKA-26	-	TAB. 1 - POS. 5-6	-		CHILD PART DETAILS OF 10051219AC	
10	SOLIS-26,SONALIKA-26	-	TAB. 2 - POS. 3-7 -8-10	-		CHILD PART DETAILS OF 10051219AC	
10	SOLIS-26,SONALIKA-26	-	TAB. 4 - POS. 5	-		CHILD PART DETAILS OF 10051219AC	

10210A-2-2

CONTROL VALVE ASSY



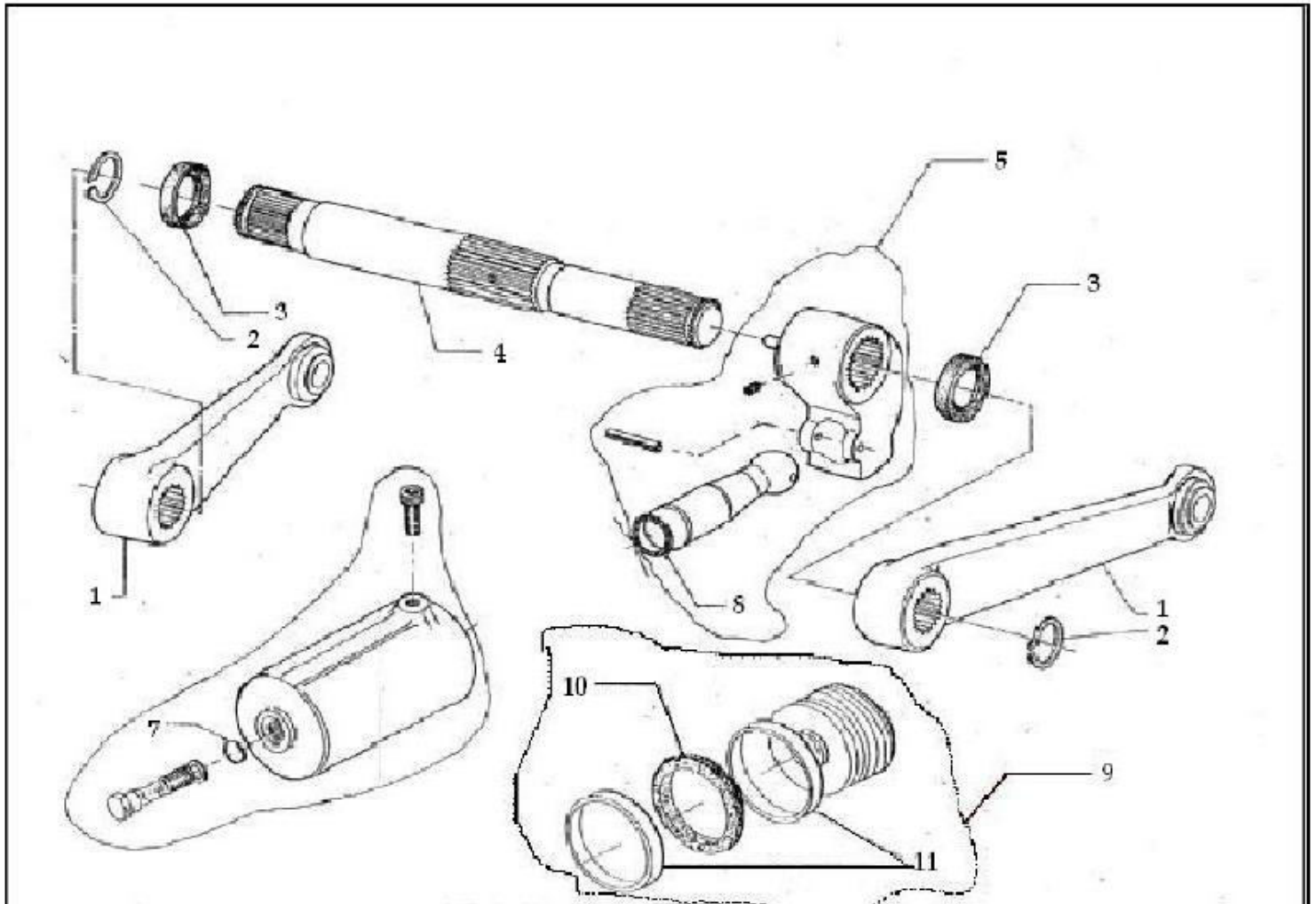
Sr.	Model	Item Code	Description	Qty	Int.	Remarks	Cut Off
1	ALL MODELS	300134485A	CONTROL VALVE_030742	1			
2	ALL MODELS	-	NOT AVAILABLE AS SPARE PARTS	null			
3	ALL MODELS	10081089AA	VALVE	1			
4	ALL MODELS	10081090AA	VALVE WHIT RINGS	1			
5	ALL MODELS	-	NOT AVAILABLE AS SPARE PARTS	null			
6	ALL MODELS	10081091AA	PLUG M14X1	1			
7	ALL MODELS	10081092AA	SPRING De=8,2 L=40	1			
8	ALL MODELS	10081095AA	OR 15,6 TI,78 80/90SH	2			

Sr.	Model	Item Code	Description	Qty	Int.	Remarks	Cut Off
9	ALL MODELS	10081093AA	PARBAK 8-016 D15,6	1			
10	ALL MODELS	10081096AA	OR D18,77X1,78 70/80SH	1			
11	ALL MODELS	10081094AA	PARBAK 8-018 D18,7	1			
12	ALL MODELS	10081123AA	80/90SH OR D=14X 1.78 SH 80/90	1			
13	ALL MODELS	10081105AA	VALVE SEAT	1			
14	ALL MODELS	10081114AA	SPRING De=6,5 L=32	1			
15	ALL MODELS	-	NOT AVAIABLE AS SPARE PARTS	null			
16	ALL MODELS	10081112AA	SCREW TCEI M6X16 DIN 912-8G	3			
17	ALL MODELS	10081103AA	SPACER 6/12X5	3			
18	ALL MODELS	10081111AA	DOWEL M8X20 DIN915 12.9	2			
19	ALL MODELS	10081113AA	NUT M8 PAL DIN 7967	2			
20	ALL MODELS	10081102AA	PLATE	1			
21	ALL MODELS	10081097AA	SPACER	2			
22	ALL MODELS	10081116AA	SPRING	2			
23	ALL MODELS	10081128AA	BALL 9/32' D=7,144	2			
24	ALL MODELS	10081131AA	SPACER	2			
25	ALL MODELS	10081104AA	VALVE	1			
26	ALL MODELS	10081119AA	OR D47,63 T3,53 80/90SH OR	2			
27	ALL MODELS	10081117AA	SPRING	1			
28	ALL MODELS	10081120AA	3,53X58.74SH80-90 OR D12,37	1			
29	ALL MODELS	10081108AA	VALVE SEAT	1			
30	ALL MODELS	10081106AA	VALVE	1			
31	ALL MODELS	10081121AA	TP,62 P80-90 OR D3,68X1,78	1			
32	ALL MODELS	10081122AA	80/90SH OR D12,42 T1,78	1			
33	ALL MODELS	10081129AA	PIN D4X19,8	1			
34	ALL MODELS	300134486A	LEVER ASSY_030469	1			
35	ALL MODELS	10081099AA	GASKET DIN 936	1			
36	ALL MODELS	10081126AA	BUSH	2			
37	ALL MODELS	10081124AA	ELASTIC PIN 4X36 DIN 7343	1			
38	ALL MODELS	300134487A	SCREW M8X20_900827	1			
39	ALL MODELS	10081041AA	NUT	1			
40	ALL MODELS	10081109AA	SCREW M6X25 DIN 912-8G	3			
41	ALL MODELS	10081123AA	80/90SH OR D=14X 1.78 SH 80/90	1			

Sr.	Model	Item Code	Description	Qty	Int.	Remarks	Cut Off
42	ALL MODELS	-	NOT AVAIABLE AS SPARE PARTS	null			
43	ALL MODELS	300134489A	Cover_030104	1			
44	ALL MODELS	10081115AA	SPRING D11X30	1			
45	ALL MODELS	10081118AA	PARBAK 8-225 D47,2	1			
46	ALL MODELS	10081133AA	SEAL KIT CONTROL VALVE	1			

10220A-1/1

CYLINDER ASSEMBLY.

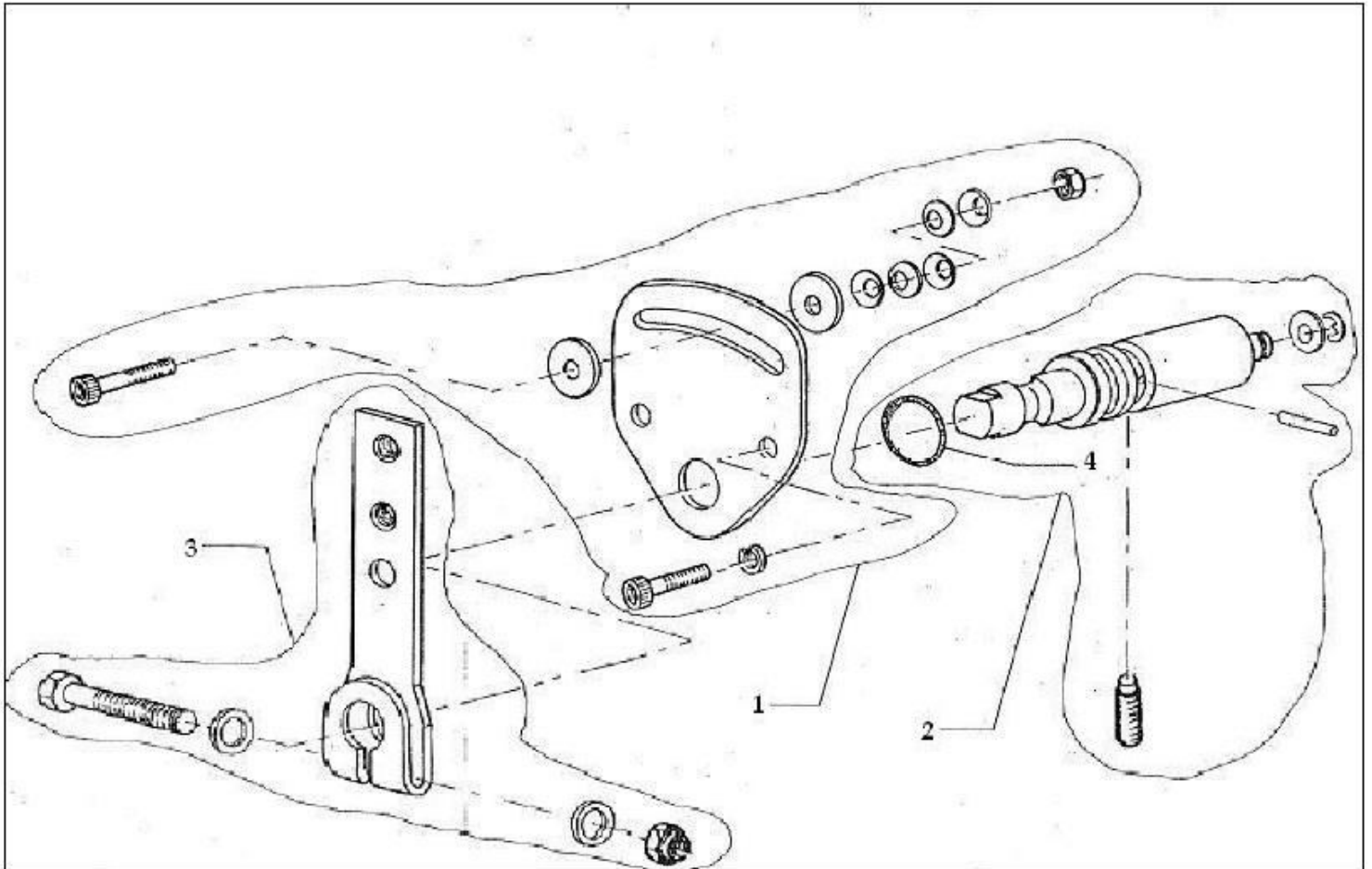


Sr.	Model	Item Code	Description	Qty	Int.	Remarks	Cut Off
1	SOLIS-26,SONALIKA-26	10051992AA	ARM	2		CHILD PART DETAILS OF 10051219AC	
2	SOLIS-26,SONALIKA-26	10051993AA	SEEGER E34 DIN 471	2		CHILD PART DETAILS OF 10051219AC	
3	SOLIS-26,SONALIKA-26	10051994AA	ENCL. IN SEAL KIT	2		CHILD PART DETAILS OF 10051219AC	
4	SOLIS-26,SONALIKA-26	10051995AA	SHAFT	1		CHILD PART DETAILS OF 10051219AC	
5	SOLIS-26,SONALIKA-26	10051996AA	KIT CRANK	1		CHILD PART DETAILS OF 10051219AC	
6	SOLIS-26,SONALIKA-26	10051997AA	KIT CYLINDER	1		NOT SHOWN, CHILD PART DETAILS OF	

Sr.	Model	Item Code	Description	Qty	Int.	Remarks	Cut Off
						10051219AC	
7	SOLIS-26,SONALIKA-26	10051998AA	ENCL. IN SEAL KIT	1		CHILD PART DETAILS OF 10051219AC	
8	SOLIS-26,SONALIKA-26	10051999AA	ENCL. IN SEAL KIT	1		CHILD PART DETAILS OF 10051219AC	
9	SOLIS-26,SONALIKA-26	10052000AA	KIT PISTON	1		CHILD PART DETAILS OF 10051219AC	
10	SOLIS-26,SONALIKA-26	10052001AA	ENCL. IN SEAL KIT	1		CHILD PART DETAILS OF 10051219AC	
11	SOLIS-26,SONALIKA-26	10052002AA	ENCL. IN SEAL KIT	2		CHILD PART DETAILS OF 10051219AC	

10230A-1/1

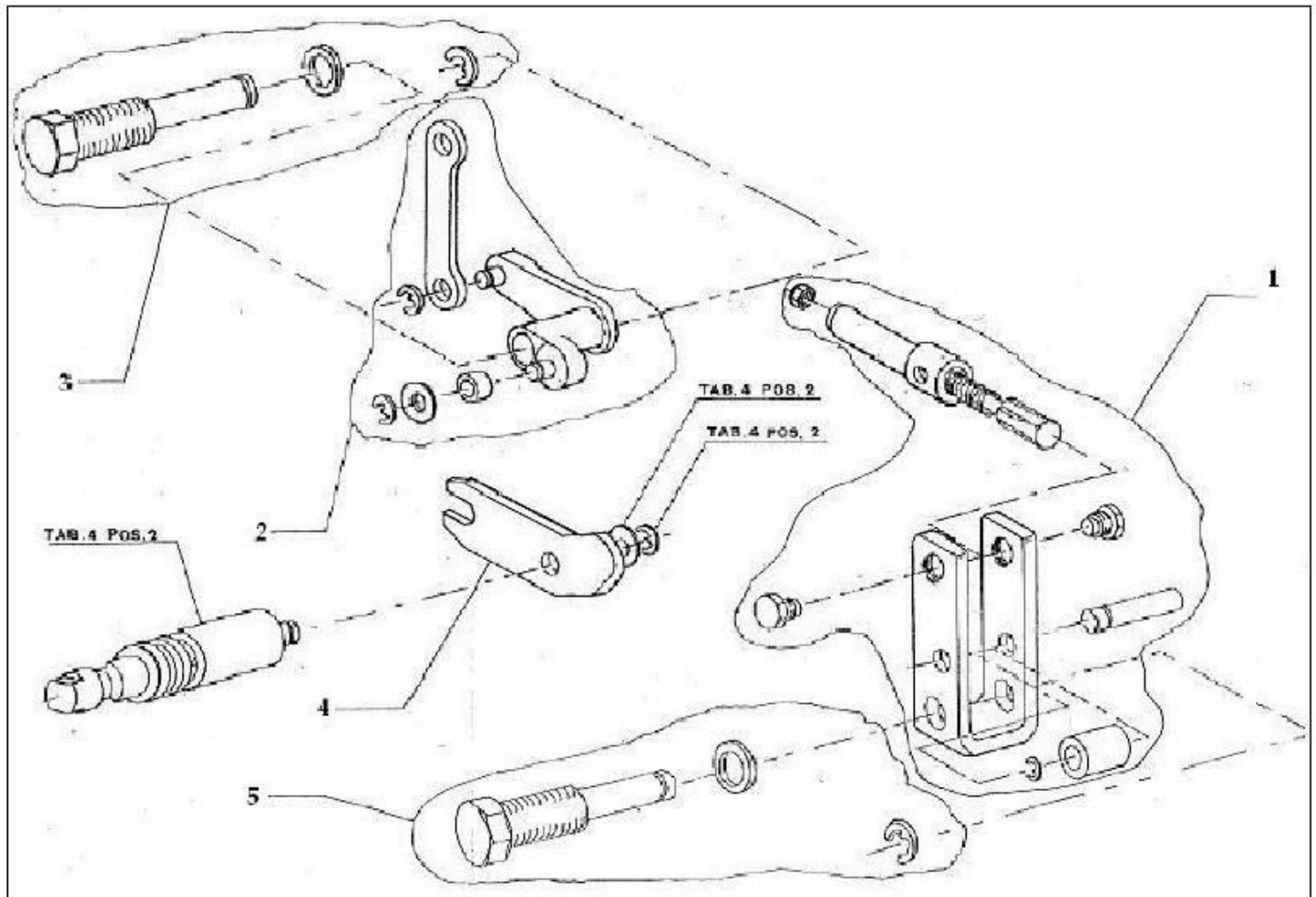
CONTROL LEVERS ASSY .



Sr.	Model	Item Code	Description	Qty	Int.	Remarks	Cut Off
1	SOLIS-26,SONALIKA-26	10052003AA	KIT QUADRANT WITH FRICTION	1		CHILD PART DETAILS OF 10051219AC	
2	SOLIS-26,SONALIKA-26	10052004AA	KIT CAMSHAFT	1		CHILD PART DETAILS OF 10051219AC	
3	SOLIS-26,SONALIKA-26	10052005AA	KIT POSITION LEVER	1		CHILD PART DETAILS OF 10051219AC	
4	SOLIS-26,SONALIKA-26	10052006AA	ENCL.IN SEAL KIT	1		CHILD PART DETAILS OF 10051219AC	

10240A-1/1

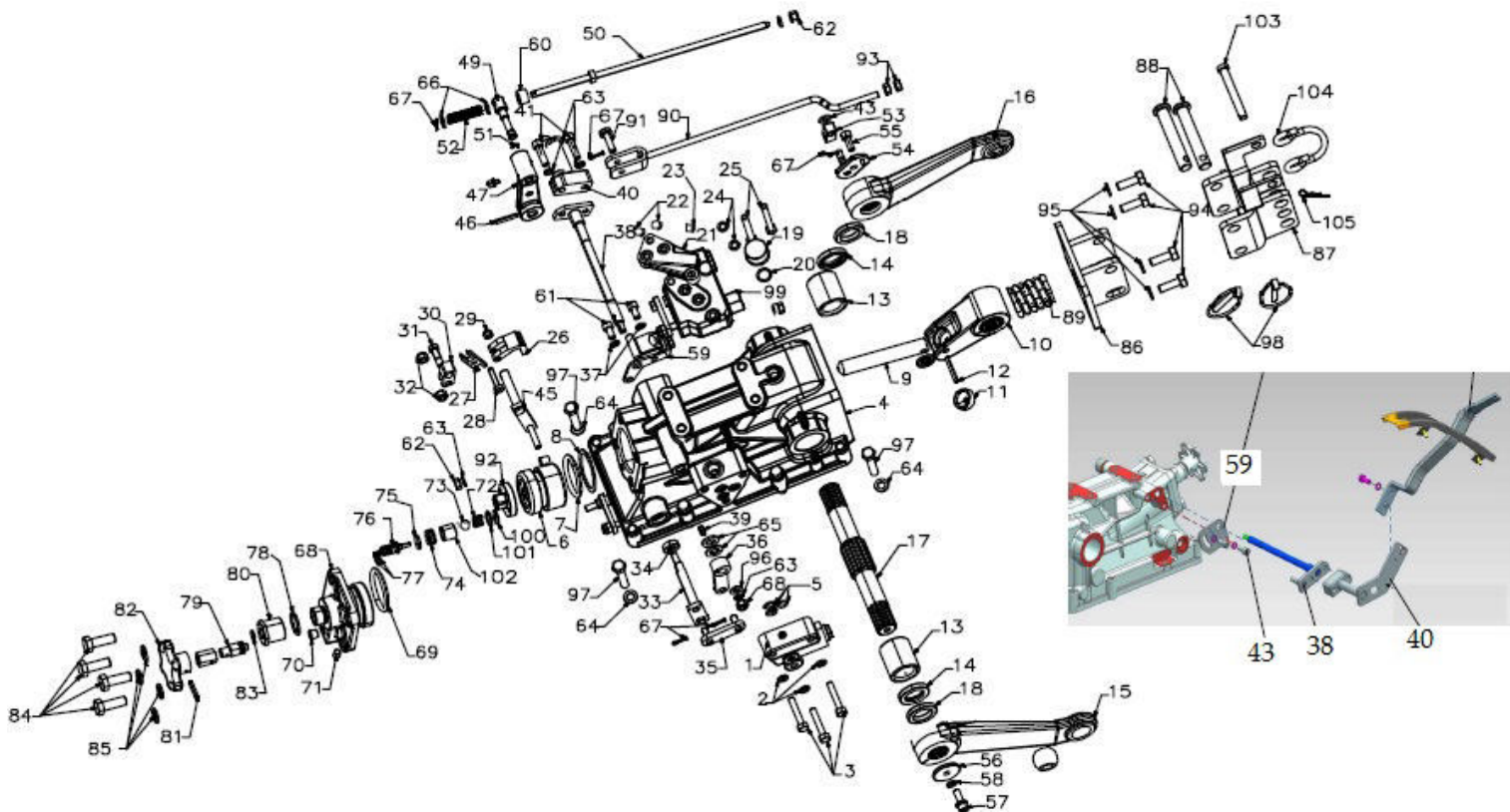
INTERNAL LEVERS ASSY,



Sr.	Model	Item Code	Description	Qty	Int.	Remarks	Cut Off
1	SOLIS-26,SONALIKA-26	10052007AA	KIT LEVER	1		CHILD PART DETAILS OF 10051219AC	
2	SOLIS-26,SONALIKA-26	10052008AA	KIT COPENSAOTOR	1		CHILD PART DETAILS OF 10051219AC	
3	SOLIS-26,SONALIKA-26	10052009AA	KIT PIN	1		CHILD PART DETAILS OF 10051219AC	
4	SOLIS-26,SONALIKA-26	10052010AA	LEVER	1		CHILD PART DETAILS OF 10051219AC	
5	SOLIS-26,SONALIKA-26	10052011AA	KIT PIN	1		CHILD PART DETAILS OF 10051219AC	

10250A-1/3

REAR COVER ASSY, ADDC



Sr.	Model	Item Code	Description	Qty	Int.	Remarks	Cut Off
1	SOLIS-26,SONALIKA-26 WITH ADDC	10052796AB	RELEASE VALVE ASSY.	1			
1A.	SOLIS-26,SONALIKA-26 WITH ADDC	10051504AE	SIDE COVER	1		CHILD PARTS OF RELEASE VALVE ASSY. (10052796AB)	
1B.	SOLIS-26,SONALIKA-26 WITH ADDC	10051507AC	ADOPTER SIDE COVER	1		CHILD PARTS OF RELEASE VALVE ASSY. (10052796AB)	
1C.	SOLIS-26,SONALIKA-26 WITH ADDC	10051658AA	O RING 17X1.5	1		CHILD PARTS OF RELEASE VALVE ASSY. (10052796AB)	
1D.	SOLIS-26,SONALIKA-26 WITH ADDC	20004223AA	PLUG -1/8 NPTFX10	2		CHILD PARTS OF RELEASE VALVE ASSY.	

Sr.	Model	Item Code	Description	Qty	Int.	Remarks	Cut Off
						(10052796AB)	
1E.	SOLIS-26,SONALIKA-26 WITH ADDC	04001400006	STEEL BALL 1/4	1		CHILD PARTS OF RELEASE VALVE ASSY. (10052796AB)	
1F.	SOLIS-26,SONALIKA-26 WITH ADDC	10028943AB	BALL SEAT	1		CHILD PARTS OF RELEASE VALVE ASSY. (10052796AB), Not Serviceable part	
1G.	SOLIS-26,SONALIKA-26 WITH ADDC	10054190AA	SPRING SEAT	1		CHILD PARTS OF RELEASE VALVE ASSY. (10052796AB)	
1H.	SOLIS-26,SONALIKA-26 WITH ADDC	10023591AB	SPRING RELIEF VALVE	1		CHILD PARTS OF RELEASE VALVE ASSY. (10052796AB)	
2	SOLIS-26,SONALIKA-26 WITH ADDC	04030400008	SPRING WASHER B-8	3		INTERCHANGEABLE WITH 20005517AA (ROHS)	
2	SOLIS-26,SONALIKA-26 WITH ADDC	20005517AA	SPRING WASHER B-8 TYPE A IS: 3067-1972	3	YES	(ROHS) INTERCHANGEABLE WITH 04030400008	
3	SOLIS-26,SONALIKA-26 WITH ADDC	04040708045	HEX. HEAD BOLT M8 X 1.25-45 8-8 SA2JS	3		INTERCHANGEABLE WITH 20005548AA (ROHS)	
3	SOLIS-26,SONALIKA-26 WITH ADDC	20005548AA	HEX BOLT M8X1.25-45 -8.8 SA4GS	3	YES	(ROHS) INTERCHANGEABLE WITH 04040708045	
4	SOLIS-26,SONALIKA-26 WITH ADDC	10051545BC	REAR COVER	1			
5	SOLIS-26,SONALIKA-26 WITH ADDC	10051556AA	O RING Ø12X Ø2	3		INTERCHANGEABLE WITH 10051556AB (ROHS)	
5	SOLIS-26,SONALIKA-26 WITH ADDC	10051556AB	O RING Ø12X Ø2	3		(ROHS) INTERCHANGEABLE WITH 10051556AA	
6	SOLIS-26,SONALIKA-26 WITH ADDC	10052398AA	PISTON ASSEMBLY	1			
6A	SOLIS-26,SONALIKA-26 WITH ADDC	10051526AB	PISTON	1		CHILD PARTS OF PISTON ASSY. (10052398AA)	
6B	SOLIS-26,SONALIKA-26 WITH ADDC	10052397AA	INSERT	1		CHILD PARTS OF PISTON ASSY. (10052398AA)	
7	SOLIS-26,SONALIKA-26 WITH ADDC	10051557AA	O RING Ø14.66X Ø6	1		INTERCHANGEABLE WITH 10051557AB (ROHS)	
7	SOLIS-26,SONALIKA-26 WITH ADDC	10051557AB	O RING Ø48.66X Ø6.0	1		(ROHS) INTERCHANGEABLE WITH 10051557AA	
8	SOLIS-26,SONALIKA-26 WITH ADDC	10051561AA	BACKUP RING FOR PISTON	1			

Sr.	Model	Item Code	Description	Qty	Int.	Remarks	Cut Off
9	SOLIS-26,SONALIKA-26 WITH ADDC	10051521AC	CONNECTING ROD	1			
9	SOLIS-26,SONALIKA-26 WITH ADDC	10051521AD	CONNECTING ROD	1	YES		DMGSF585914G
10	SOLIS-26,SONALIKA-26 WITH ADDC	10051531AF	RAM ARM	1			
11	SOLIS-26,SONALIKA-26 WITH ADDC	10052541AA	INSERT	1			
12	SOLIS-26,SONALIKA-26 WITH ADDC	04010305040	SPRING COTTER SLEEVE DIA 5 * 40	1			
13	SOLIS-26,SONALIKA-26 WITH ADDC	10051518AB	BUSH SINTERED ROCK SHAFT	2			
14	SOLIS-26,SONALIKA-26 WITH ADDC	10051538AA	LIP SEAL	2			
15	SOLIS-26,SONALIKA-26 WITH ADDC	10051509AD	LIFT ARM ASSY LH	1			
16	SOLIS-26,SONALIKA-26 WITH ADDC	10051510CA	LIFT ARM ASSY RH	1			
17	SOLIS-26,SONALIKA-26 WITH ADDC	10051528BB	ROCK SHAFT	1			
18	SOLIS-26,SONALIKA-26 WITH ADDC	10051590AA	SPACER ROCK SHAFT	2			
19	SOLIS-26,SONALIKA-26 WITH ADDC	10026434AB	BREATHER ASSY.	1		INTERCHANGEABLE WITH 10026434AC (ROHS)	
19	SOLIS-26,SONALIKA-26 WITH ADDC	10026434AC	BREATHER ASSY.	1	YES	(ROHS) INTERCHANGEABLE WITH 10026434AB	
20	SOLIS-26,SONALIKA-26 WITH ADDC	04030400016	SPRING WASHER B-16	1		INTERCHANGEABLE WITH 20004994AB (ROHS)	
20	SOLIS-26,SONALIKA-26 WITH ADDC	20004994AB	SPRING WASHER B-16 TYPE-A IS: 3063-1972	1	YES	(ROHS) INTERCHANGEABLE WITH 04030400016	
21	SOLIS-26,SONALIKA-26 WITH ADDC	10051534AB	MONOBLOCK VALVE SUPPORT PLATE	1			
22	SOLIS-26,SONALIKA-26 WITH ADDC	10051556AA	O RING Ø12X Ø2	2		INTERCHANGEABLE WITH 10051556AB (ROHS)	
22	SOLIS-26,SONALIKA-26 WITH ADDC	10051556AB	O RING Ø12X Ø2	2		(ROHS) INTERCHANGEABLE WITH 10051556AA	
23	SOLIS-26,SONALIKA-26 WITH ADDC	20004223AA	PLUG -1/8 NPTFX10	1			
24	SOLIS-26,SONALIKA-26 WITH ADDC	04030400008	SPRING WASHER B-8	2		INTERCHANGEABLE WITH 20005517AA (ROHS)	
24	SOLIS-26,SONALIKA-26 WITH ADDC	20005517AA	SPRING WASHER B-8 TYPE A IS: 3067-1972	2	YES	(ROHS) INTERCHANGEABLE WITH 04030400008	
25	SOLIS-26,SONALIKA-26 WITH ADDC	20004205AA	HEX SCREW M8X70	2		INTERCHANGEABLE WITH 20005470AA (ROHS)	
25	SOLIS-26,SONALIKA-26 WITH ADDC	20005470AA	HEX SCREW M8X70 8.8 SA4GS	2	YES	(ROHS) INTERCHANGEABLE WITH 20004205AA	

Sr.	Model	Item Code	Description	Qty	Int.	Remarks	Cut Off
26	SOLIS-26,SONALIKA-26 WITH ADDC	10051517AE	BLOCK ACTUATOR	1			
27	SOLIS-26,SONALIKA-26 WITH ADDC	10051520AG	H-SHAPED ACTUATOR	1			
28	SOLIS-26,SONALIKA-26 WITH ADDC	10054555AA	PIN FOR BLOCK ACTUATOR	1			
29	SOLIS-26,SONALIKA-26 WITH ADDC	04041000006	HEX NYLOC NUT M6	1		INTERCHANGEABLE WITH 20004915AB (ROHS)	
29	SOLIS-26,SONALIKA-26 WITH ADDC	20004915AB	HEX NYLOC NUT M6 8	1	YES	(ROHS) INTERCHANGEABLE WITH 04041000006	
30	SOLIS-26,SONALIKA-26 WITH ADDC	10051519AC	GUIDE BUSH	1			
31	SOLIS-26,SONALIKA-26 WITH ADDC	10054554AA	PIN FOR GUIDE BUSH	1			
32	SOLIS-26,SONALIKA-26 WITH ADDC	04041000008	HEX NYLOCK NUT M8*1.25	2		INTERCHANGEABLE WITH 20004917AB (ROHS)	
32	SOLIS-26,SONALIKA-26 WITH ADDC	20004917AB	HEX NYLOC NUT M8*1.25 8	2		(ROHS) INTERCHANGEABLE WITH 04041000008	
33	SOLIS-26,SONALIKA-26 WITH ADDC	10051506CA	POSITION ACTUATOR ASSEMBLY	1			
34	SOLIS-26,SONALIKA-26 WITH ADDC	10051537AA	LIP SEAL RING 12X22X7	2			
35	SOLIS-26,SONALIKA-26 WITH ADDC	10051489CA	LINK ASSEMBLY	1			
36	SOLIS-26,SONALIKA-26 WITH ADDC	10051492CA	LINK SMALL	1			
38	SOLIS-26,SONALIKA-26 WITH ADDC	10054186BA	POSITION SHAFT ASSY	1			
38	SOLIS-26,SONALIKA-26 WITH ADDC	10054186CB	POSITION SHAFT ASSY	1	NO		EMKST659819G 26D
39	SOLIS-26,SONALIKA-26 WITH ADDC	10054663AA	KEY FOR POSITION SHAFT ASSY	1			
40	SOLIS-26,SONALIKA-26 WITH ADDC	10054171AC	SHAFT ASSY	1			
40	SOLIS-26,SONALIKA-26 WITH ADDC	10054171CB	SHAFT ASSY	1	NO		EMKST659819G 26D
41	SOLIS-26,SONALIKA-26 WITH ADDC	20004238AA	SOCKET HEAD CAP SCREW M8*30, 8-8 SA2JS	2		INTERCHANGEABLE WITH 20004238AB (ROHS)	
41	SOLIS-26,SONALIKA-26 WITH ADDC	20004238AB	SOCKET HEAD CAP SCREW M8*30, 8-8 SA4GS	2		(ROHS) INTERCHANGEABLE WITH 20004238AA	
43	SOLIS-26,SONALIKA-26 WITH ADDC	04030600008	PLAIN WASHER DIA 8.4 *DIA 17*1.6	1			
43	SOLIS-26,SONALIKA-26 WITH ADDC	04040308016	SOCKET HEAD CAP SCREW M8x16	1	NO		EMKST659819G 26D
45	SOLIS-26,SONALIKA-26 WITH ADDC	10051505AD	NEUTRAL LINK ASSEMBLY	1			
46	SOLIS-26,SONALIKA-26 WITH ADDC	20004308AA	SPRING TYPE STRAIGHT PIN DIN 1481 5X32	1			
47	SOLIS-26,SONALIKA-26 WITH ADDC	10051527AF	NEUTRAL LEVERAGE	1			
49	SOLIS-26,SONALIKA-26 WITH ADDC	10051523AE	ROLLER GUIDE	1			

Sr.	Model	Item Code	Description	Qty	Int.	Remarks	Cut Off
50	SOLIS-26,SONALIKA-26 WITH ADDC	10051488AF	NEUTRAL ROD	1			
51	SOLIS-26,SONALIKA-26 WITH ADDC	20004309AA	EXTERNAL CIRCLIP E-8	1			
52	SOLIS-26,SONALIKA-26 WITH ADDC	10051539AB	NEUTRAL SPRING	1			
53	SOLIS-26,SONALIKA-26 WITH ADDC	10051584AC	BLOCK FOR NEUTRAL CRANK	1			
54	SOLIS-26,SONALIKA-26 WITH ADDC	10051522BA	NEUTRAL CRANK ASSY	1			
55	SOLIS-26,SONALIKA-26 WITH ADDC	20004381AA	SOCKET HEAD SCREW M8X1.25X20 -8.8 (SA2JS	1		INTERCHANGEABLE WITH 20005578AA (ROHS)	
55	SOLIS-26,SONALIKA-26 WITH ADDC	20005578AA	SOCKET HEAD SCREW M8X1.25X20 -8.8 SA4GS	1		(ROHS) INTERCHANGEABLE WITH 20004381AA	
56	SOLIS-26,SONALIKA-26 WITH ADDC	10051512BA	LOCK WASHER	1			
57	SOLIS-26,SONALIKA-26 WITH ADDC	20004381AA	SOCKET HEAD SCREW M8X1.25X20 -8.8 (SA2JS	1		INTERCHANGEABLE WITH 20005578AA (ROHS)	
57	SOLIS-26,SONALIKA-26 WITH ADDC	20005578AA	SOCKET HEAD SCREW M8X1.25X20 -8.8 SA4GS	1		(ROHS) INTERCHANGEABLE WITH 20004381AA	
58	SOLIS-26,SONALIKA-26 WITH ADDC	04030400008	SPRING WASHER B-8	1		INTERCHANGEABLE WITH 20005517AA (ROHS)	
58	SOLIS-26,SONALIKA-26 WITH ADDC	20005517AA	SPRING WASHER B-8 TYPE A IS: 3067-1972	1	YES	(ROHS) INTERCHANGEABLE WITH 04030400008	
59	SOLIS-26,SONALIKA-26 WITH ADDC	10054188BA	STOPPER ASSY	1			
59	SOLIS-26,SONALIKA-26 WITH ADDC	10056623AA	STOPPER PLATE	1	NO		EMKST659819G 26D
60	SOLIS-26,SONALIKA-26 WITH ADDC	10007151AA	SPACER 12MM	1			
61	SOLIS-26,SONALIKA-26 WITH ADDC	20004254AA	SOCKET HEAD SCREW (M8X1.25-16)	2		INTERCHANGEABLE WITH 300003122A (ROHS)	
61	SOLIS-26,SONALIKA-26 WITH ADDC	300003122A	SOCKET HEAD SCREW M8X1.25 SA4GS	2		(ROHS) INTERCHANGEABLE WITH 20004254AA	
62	SOLIS-26,SONALIKA-26 WITH ADDC	04041000008	HEX NYLOCK NUT M8*1.25	3		INTERCHANGEABLE WITH 20004917AB (ROHS)	
62	SOLIS-26,SONALIKA-26 WITH ADDC	20004917AB	HEX NYLOC NUT M8*1.25 8	3		(ROHS) INTERCHANGEABLE WITH 04041000008	
63	SOLIS-26,SONALIKA-26 WITH ADDC	04030400008	SPRING WASHER B-8	3		INTERCHANGEABLE WITH 20005517AA (ROHS)	
63	SOLIS-26,SONALIKA-26 WITH ADDC	20005517AA	SPRING WASHER B-8 TYPE A IS: 3067-1972	3	YES	(ROHS) INTERCHANGEABLE WITH 04030400008	

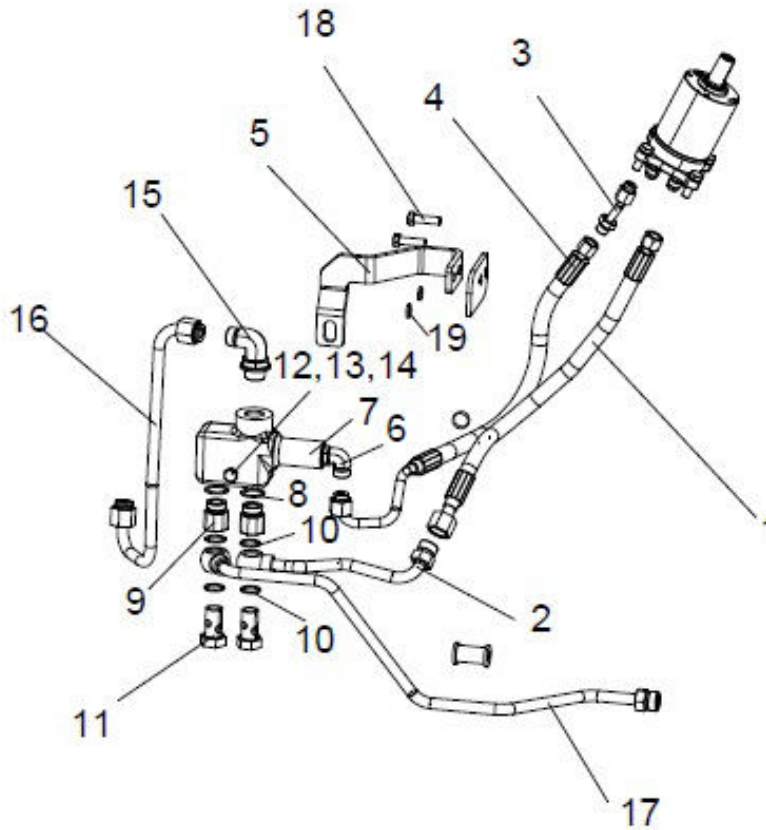
Sr.	Model	Item Code	Description	Qty	Int.	Remarks	Cut Off
64	SOLIS-26,SONALIKA-26 WITH ADDC	04030400010	SPRING WASHER B-10	8			
65	SOLIS-26,SONALIKA-26 WITH ADDC	04030800012	M/CD WASHER DIA 13 *DIA 24*2.5	2		INTERCHANGEABLE WITH 20004940AB (ROHS)	
65	SOLIS-26,SONALIKA-26 WITH ADDC	20004940AB	M/C WASHER DIA 13*DIA 24*2.5	2	YES	(ROHS) INTERCHANGEABLE WITH 04030800012	
66	SOLIS-26,SONALIKA-26 WITH ADDC	04030600008	PLAIN WASHER DIA 8.4 *DIA 17*1.6	2			
67	SOLIS-26,SONALIKA-26 WITH ADDC	20004382AA	SPLIT PIN DIA 2X16	5		INTERCHANGEABLE WITH 300031807A (ROHS)	
67	SOLIS-26,SONALIKA-26 WITH ADDC	300031807A	SPLIT PIN DIA 5*40	5		(ROHS) INTERCHANGEABLE WITH 20004382AA	
68	SOLIS-26,SONALIKA-26 WITH ADDC	10051499CB	CYLINDER COVER	1			
69	SOLIS-26,SONALIKA-26 WITH ADDC	10051562AA	O RING Ø49.45X Ø6	1		INTERCHANGEABLE WITH 10051562AB (ROHS)	
69	SOLIS-26,SONALIKA-26 WITH ADDC	10051562AB	O RING Ø49.45X Ø6	1		(ROHS) INTERCHANGEABLE WITH 10051562AA	
70	SOLIS-26,SONALIKA-26 WITH ADDC	20004223AA	PLUG -1/8 NPTFX10	1			
71	SOLIS-26,SONALIKA-26 WITH ADDC	20004224AA	PLUG 1/4 NPTFX10	1			
72	SOLIS-26,SONALIKA-26 WITH ADDC	10052853AA	SPRING CYLINDER COVER	1			
73	SOLIS-26,SONALIKA-26 WITH ADDC	04001400013	STEEL BALL 1/2	1			
74	SOLIS-26,SONALIKA-26 WITH ADDC	10052395AA	SEAT VALVE	1			
75	SOLIS-26,SONALIKA-26 WITH ADDC	20002877AA	O-RING (FOR POSITION CRANK & RV SPOOL)	1			
76	SOLIS-26,SONALIKA-26 WITH ADDC	10052394AB	SPOOL RV	1			
77	SOLIS-26,SONALIKA-26 WITH ADDC	20002616AA	O-RING (ID8.92 SECTIONAL DIA1.83)	2		INTERCHANGEABLE WITH 20002616AC (ROHS)	
77	SOLIS-26,SONALIKA-26 WITH ADDC	20002616AC	O-RING (DIA 8.92 X DIA1.83)	2		(ROHS) INTERCHANGEABLE WITH 20002616AA	
78	SOLIS-26,SONALIKA-26 WITH ADDC	04030224032	SEALING WASHER DIA 24.3 * DIA 32 * 2	1			
79	SOLIS-26,SONALIKA-26 WITH ADDC	10052393AA	SCREW RV	1			
80	SOLIS-26,SONALIKA-26 WITH ADDC	10052392AB	ADOPTER RV	1			
81	SOLIS-26,SONALIKA-26 WITH ADDC	04010305025	SPRING COTTER SLEEVE DIA 5 * 25	1			
82	SOLIS-26,SONALIKA-26 WITH ADDC	10005206AD	KNOB RV	1		INTERCHANGEABLE WITH 10005206AG (ROHS)	
82	SOLIS-26,SONALIKA-26 WITH ADDC	10005206AG	KNOB RV	1		(ROHS) INTERCHANGEABLE	

Sr.	Model	Item Code	Description	Qty	Int.	Remarks	Cut Off
						ABLE WITH 10005206AD	
83	SOLIS-26,SONALIKA-26 WITH ADDC	10051563AA	O RING Ø9.4X Ø1.9	1			
84	SOLIS-26,SONALIKA-26 WITH ADDC	20003245AA	HEX SCREW M12X1.75X40 8-8 SA3NS	4			
84	SOLIS-26,SONALIKA-26 WITH ADDC	20003245AB	HEX. SCREW M12X1.75X40	4	YES	INTERCHANGE ABLE WITH 20003245AC (ROHS)	BSASF98611S3
84	SOLIS-26,SONALIKA-26 WITH ADDC	20003245AC	HEX. SCREW M12X1.75X40 -8.8 SA4GS	4		(ROHS) INTERCHANGE ABLE WITH 20003245AB	
85	SOLIS-26,SONALIKA-26 WITH ADDC	04030400012	SPRING WASHER B-12	4			
86	SOLIS-26,SONALIKA-26 WITH ADDC	10053443BC	ROCKER BASE	1			
87	SOLIS-26,SONALIKA-26 WITH ADDC	10053445AB	ROCKER LINK ASSEMBLY	1			
88	SOLIS-26,SONALIKA-26 WITH ADDC	10053466AA	ROCKER PIN	2			
89	SOLIS-26,SONALIKA-26 WITH ADDC	10053453BB	SENSOR SPRING	1			
90	SOLIS-26,SONALIKA-26 WITH ADDC	10053461AB	DRAFT ROD ASSEMBLY	1			
91	SOLIS-26,SONALIKA-26 WITH ADDC	10053463AA	DRAFT PIN	1			
92	SOLIS-26,SONALIKA-26 WITH ADDC	10053581AB	HOLDING ADOPTER	1			
93	SOLIS-26,SONALIKA-26 WITH ADDC	20003355AB	HEX NUT M8X1.25 -8 SA2JS	2			
94	SOLIS-26,SONALIKA-26 WITH ADDC	20002016AB	HEX. HEAD SCREW M10 X 1.5 X 30 8-8 SA2JS	4			
95	SOLIS-26,SONALIKA-26 WITH ADDC	04030400010	SPRING WASHER B-10	4			
96	SOLIS-26,SONALIKA-26 WITH ADDC	04030600008	PLAIN WASHER DIA 8.4 *DIA 17*1.6	1			
97	SOLIS-26,SONALIKA-26 WITH ADDC	20003997AA	HEX BOLT M10X1.5X55 8.8 SA3NS	8			
98	SOLIS-26,SONALIKA-26 WITH ADDC	10080109AB	LINCH PIN ASSY.(Ø7)	2		INTERCHANGE ABLE WITH 10087923AA (ROHS)	
98	SOLIS-26,SONALIKA-26 WITH ADDC	10087923AA	LINCH PIN ASSY.(Ø7)	2	YES	(ROHS) INTERCHANGE ABLE WITH 10080109AB	
99	SOLIS-26,SONALIKA-26 WITH ADDC	10052325AA	CONTROL VALVE ASSEMBLY	1			
100	SOLIS-26,SONALIKA-26 WITH ADDC	10051589AB	SPECIAL WASHER	1			
101	SOLIS-26,SONALIKA-26 WITH ADDC	20004380AA	INTERNAL CIRCLIP B-20	1			
102	SOLIS-26,SONALIKA-26 WITH ADDC	10052395AA	SEAT VALVE	1			
103	SOLIS-26,SONALIKA-26 WITH ADDC	10055059AA	PIN FOR TOP LINK HOLDER	1			
104	SOLIS-26,SONALIKA-26 WITH ADDC	10055060AA	TOP LINK HOLDER	1			
105	SOLIS-26,SONALIKA-26 WITH ADDC	10070820AA	BETA PIN DIA 3 BN 915	1		INTERCHANGE ABLE WITH 10087902AA (ROHS)	
105	SOLIS-26,SONALIKA-26 WITH ADDC	10087902AA	BEATA PIN	1	YES	(ROHS) INTERCHANGE	

Sr.	Model	Item Code	Description	Qty	Int.	Remarks	Cut Off
						ABLE WITH 10070820AA	
106	SOLIS-26,SONALIKA-26 WITH ADDC	20001096AA	HEX SCREW M10X1.25X25	1		DELETED WITH 10054186CB AND 10056623AA FROM	EMKST659819G 26D
106	SOLIS-26,SONALIKA-26 WITH ADDC	20005565AA	HEX HEAD SCREW M8X1.25X20 -8.8 SA4GS	1	YES	(ROHS) INTERCHANGE ABLE WITH 20001096AA	

10300A-1/1

PRIORITY VALVE AREA

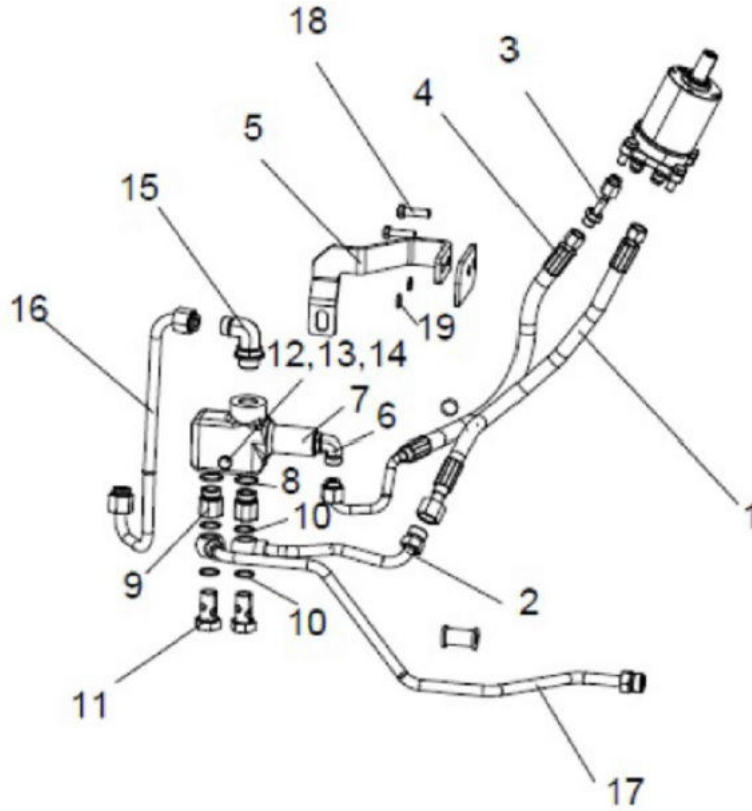


Sr.	Model	Item Code	Description	Qty	Int.	Remarks	Cut Off
1	SOLIS-24	10055569AA	FLEXIBLE PIPE FROM PRIORITY VALVE CF TO STG UNIT P	1			
2	SOLIS-24	10055544BA	PRIMARY PIPE FROM FROM PRIORITY VALVE CF TO STG UNIT P	1		INTERCHANGEABLE WITH 10055544CB (ROHS)	
2	SOLIS-24	10055544CB	PRIMARY PIPE FROM FROM PRIORITY VALVE CF	1		(ROHS) INTERCHANGEABLE WITH 10055544BA	
3	SOLIS-24	10055546AA	SECONDARY PIPE FROM PRIORITY VALVE L TO STG UNIT E	1			
4	SOLIS-24	10055563BA	FLEXIBLE PIPE FROM PRIORITY VALVE L TO STG UNIT E	1			
5	SOLIS-24	10053387BA	PRIORITY VALVE MOUNTING BRACKET	1		INTERCHANGEABLE WITH 300028565A	

Sr.	Model	Item Code	Description	Qty	Int.	Remarks	Cut Off
						(ROHS)	
5	SOLIS-24	300028565A	PRIORITY VALVE MOUNTING BRACKET	1		(ROHS) INTERCHANGEABLE WITH 10053387BA	
6	SOLIS-24	10053156BB	90° ADJUSTABLE STUD ELBOW 10 x G1/4-A	1			
7	SOLIS-24	10053068AB	PRIORITY VALVE	1			
8	SOLIS-24	10012579AC	BONDED SEAL FOR 1/2" BSP	2			
9	SOLIS-24	10017560AC	ADOPTER 1/2 BSP	2		INTERCHANGEABLE WITH 10017560AD (ROHS)	
9	SOLIS-24	10017560AD	ADOPTER 1/2" BSP 30.8	2		(ROHS) INTERCHANGEABLE WITH 10017560AC	
10	SOLIS-24	10012573AB	BONDED SEAL FOR M18	4			
11	SOLIS-24	20003896AB	BENJO BOLT M18X1.5	2			
12	SOLIS-24	04040708065	Hex. head Bolt M8 x 1.25-65 8-8 SA2JS-Z	1		INTERCHANGEABLE WITH 20005598AA (ROHS)	
12	SOLIS-24	20005598AA	HEX HEAD BOLT M8X65_8.8 SA4GS	1		(ROHS) INTERCHANGEABLE WITH 04040708065	
13	SOLIS-24	20003658AB	PUNCHED WASHER A (9) IS:2016 STEEL	1			
14	SOLIS-24	20003670AC	SPRING WASHER B-8 TYPE-A IS: 3063-1972	1			
15	SOLIS-24	10053156BB	90° ADJUSTABLE STUD ELBOW 10 x G1/4-A	1			
16	SOLIS-24	10053326CA	DELIVERY PIPE (PUMP TO PRIORITY VALVE)	1		INTERCHANGEABLE WITH 300028573A (ROHS)	
16	SOLIS-24	300028573A	DELIVERY PIPE (PUMP TO PRIORITY VALVE)	1		(ROHS) INTERCHANGEABLE WITH 10053326CA	
17	SOLIS-24	10053327BA	PRIMARY DELIVERY PIPE (PRIORITY VALVE TO	1		INTERCHANGEABLE WITH 10053327CB (ROHS)	
17	SOLIS-24	10053327CB	PRIMARY DELIVERY PIPE (PRIORITY VALVE T	1		(ROHS) INTERCHANGEABLE WITH 10053327BA	
18	SOLIS-24	20004136AA	HEX HEAD BOLT M8X1.25X55	2		INTERCHANGEABLE WITH 20005600AA (ROHS)	
18	SOLIS-24	20005600AA	HEX HEAD BOLT M8X55_8.8 SA4GS	2		(ROHS) INTERCHANGEABLE WITH 20004136AA	
19	SOLIS-24	20003670AC	SPRING WASHER B-8 TYPE-A IS: 3063-1972	2			

10301A-1/1

PRIORITY VALVE AREA

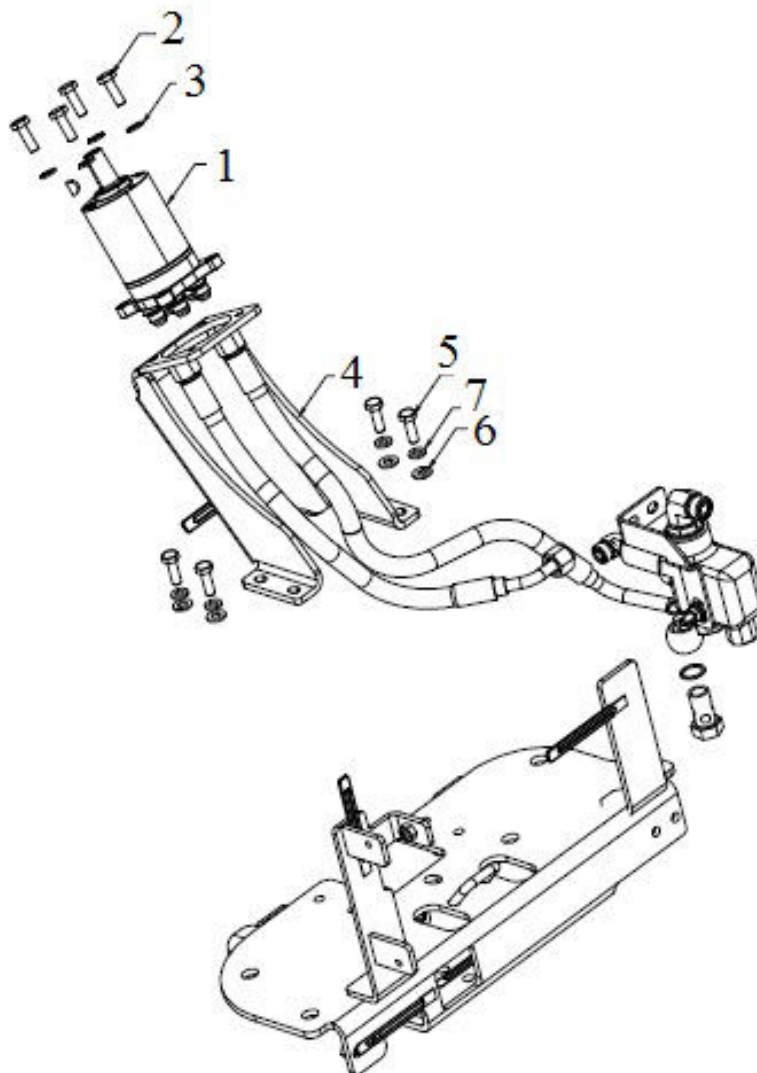


Sr.	Model	Item Code	Description	Qty	Int.	Remarks	Cut Off
1	ALL MODELS	10055569AB	FLEXIBLE PIPE FROM PRIORITY VALVE CF TO STG UNIT P	1			
2	ALL MODELS	10055544CA	PRIMARY PIPE FROM FROM PRIORITY VALVE CF TO STG UNIT P	1			
3	ALL MODELS	10055546BA	SECONDARY PIPE FROM PRIORITY VALVE L TO STG UNIT E	1			
4	ALL MODELS	10055563BB	FLEXIBLE PIPE FROM PRIORITY VALVE L TO STG UNIT E	1			
5	ALL MODELS	300028565A	PRIORITY VALVE MOUNTING BRACKET	1			
6	ALL MODELS	10053156CB	90° ADJUSTABLE STUD ELBOW 10 x G1/4-A	1			
7	ALL MODELS	10053068AB	PRIORITY VALVE	1			
8	ALL MODELS	10012579AC	BONDED SEAL FOR 1/2" BSP	2			

Sr.	Model	Item Code	Description	Qty	Int.	Remarks	Cut Off
9	ALL MODELS	10017560AD	ADOPTER 1/2 BSP	2			
10	ALL MODELS	10012573AB	BONDED SEAL FOR M18	4			
11	ALL MODELS	20005628AA	BENJO BOLT M18X1.5 IS:3174-1974	2			
12	ALL MODELS	20005598AA	HEX HEAD BOLT M8X65_8.8 SA4GS	1			
13	ALL MODELS	20005532AA	PUNCHED WASHER A (9) IS:2016 STEEL	1			
14	ALL MODELS	20005517AA	SPRING WASHER B-8 TYPE-A IS: 3063-1972	1			
15	ALL MODELS	10053156CB	90° ADJUSTABLE STUD ELBOW 10 x G1/4-A	1			
16	ALL MODELS	300028573A	DELIVERY PIPE (PUMP TO PRIORITY VALVE)	1			
17	ALL MODELS	10053327CA	PRIMARY DELIVERY PIPE (PRIORITY VALVE TO	1			
18	ALL MODELS	20004136AA	HEX HEAD BOLT M8X1.25X55	2		INTERCHANGEABLE WITH 20005600AA (ROHS)	
18	ALL MODELS	20005600AA	HEX HEAD BOLT M8X55_8.8 SA4GS	2		(ROHS) INTERCHANGEABLE WITH 20004136AA	
19	ALL MODELS	20005517AA	SPRING WASHER B-8 TYPE-A IS: 3063-1972	2			

10310A-1/1

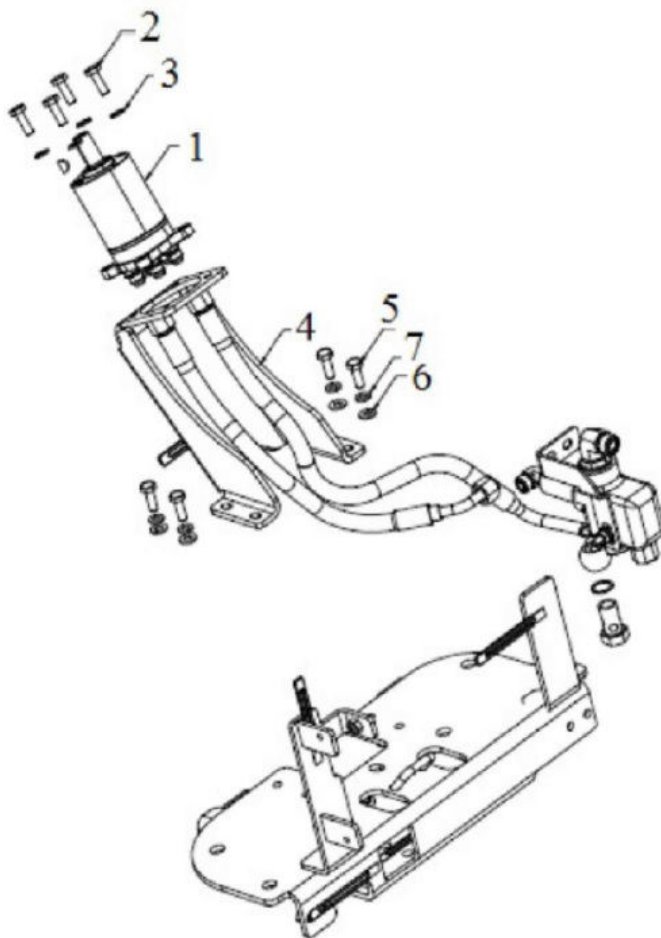
STEERING UNIT PIPES



Sr.	Model	Item Code	Description	Qty	Int.	Remarks	Cut Off
1	SOLIS-24	10052960AF	STEERING UNIT 40CC	1			
2	SOLIS-24	20001089AB	Hex. head screw M8 x 1.25-25 8-8 SA4JS	4			
3	SOLIS-24	20003670AC	SPRING WASHER B-8 TYPE-A IS: 3063-1972	4			
4	SOLIS-24	10053305AB	STEERING UNIT MOUNTING BRACKET	1			
5	SOLIS-24	20001089AB	Hex. head screw M8 x 1.25-25 8-8 SA4JS	4			
6	SOLIS-24	20003658AB	PUNCHED WASHER A (9) IS:2016 STEEL	4			
7	SOLIS-24	20003670AC	SPRING WASHER B-8 TYPE-A IS: 3063-1972	4			

10311A-1/1

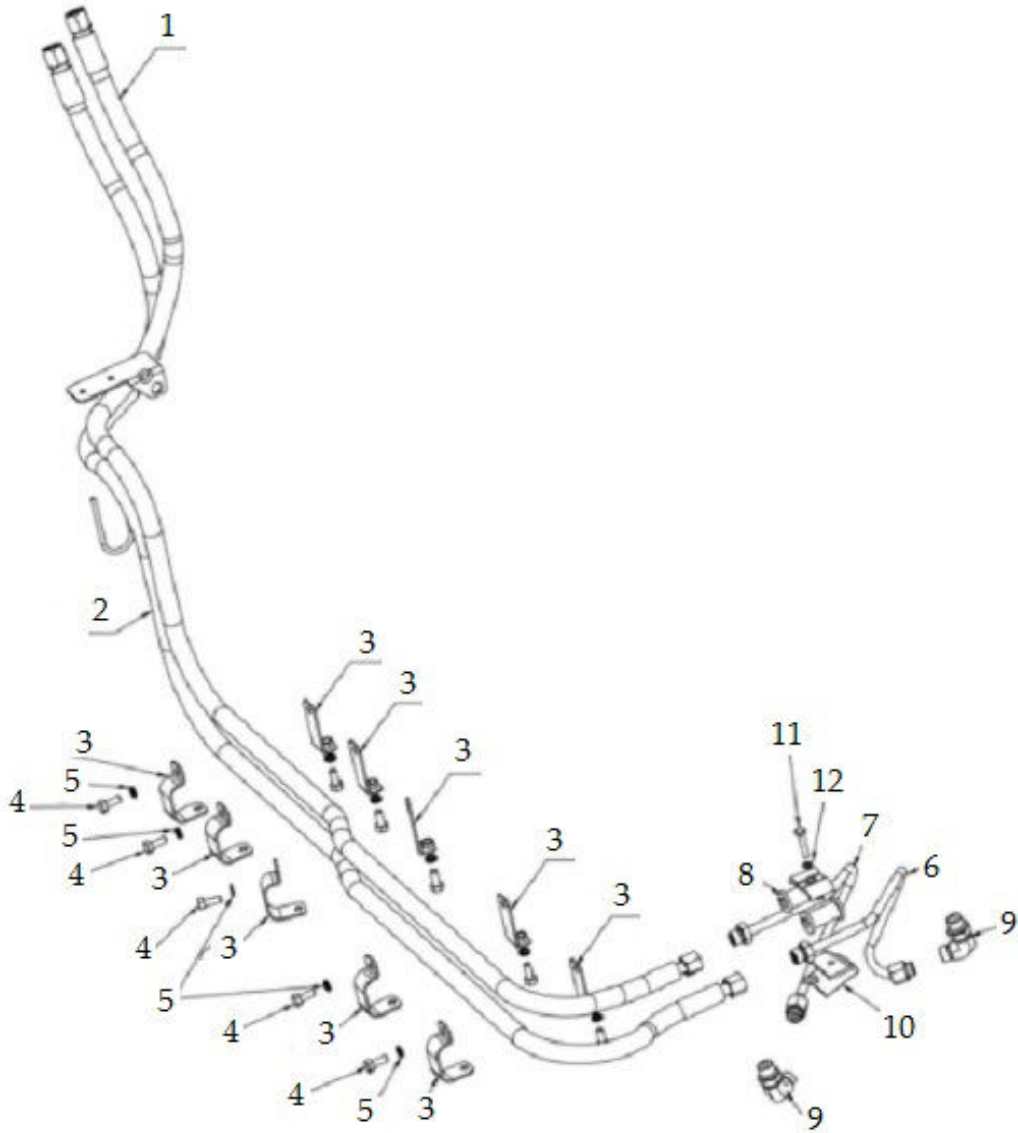
STEERING UNIT PIPES



Sr.	Model	Item Code	Description	Qty	Int.	Remarks	Cut Off
1	ALL MODELS	10052960AF	STEERING UNIT 40CC	1			
2	ALL MODELS	20005564AA	HEX HEAD SCREW M8X1.25-25 -8.8 SA4GS	4			
3	ALL MODELS	20005517AA	SPRING WASHER B-8 TYPE-A IS: 3063-1972	4			
4	ALL MODELS	10053305AE	STEERING UNIT MOUNTING BRACKET	1			
5	ALL MODELS	20005564AA	HEX HEAD SCREW M8X1.25-25 -8.8 SA4GS	4			
6	ALL MODELS	20005532AA	PUNCHED WASHER A (9) IS:2016 STEEL	4			
7	ALL MODELS	20005517AA	SPRING WASHER B-8 TYPE-A IS: 3063-1972	4			

10320A-1/1

STEERING CYLINDER PIPES

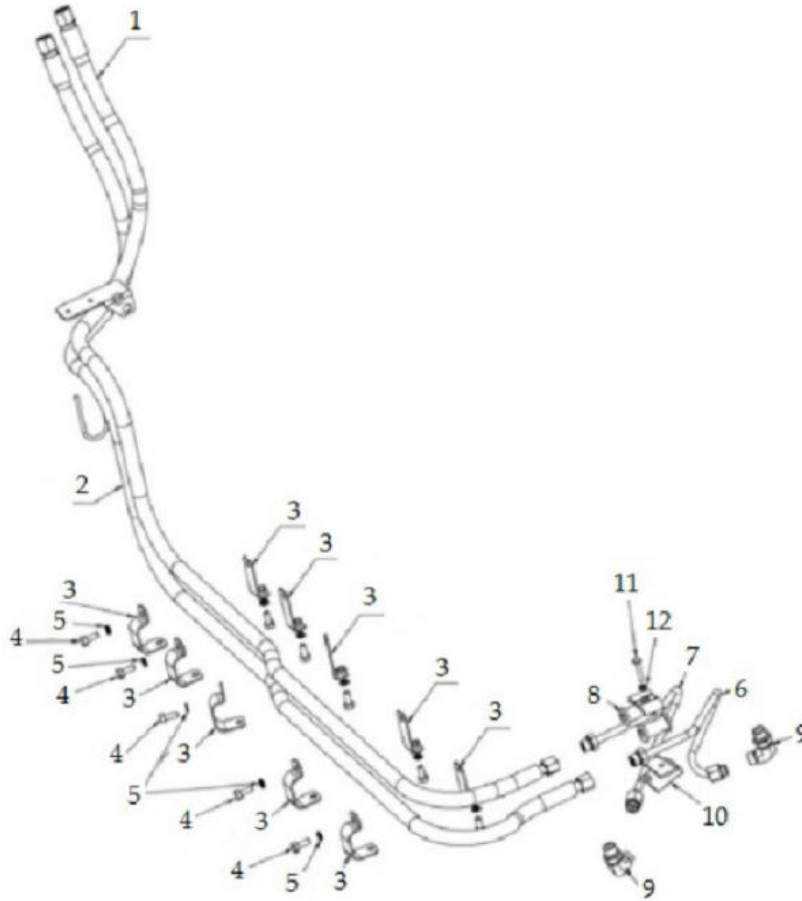


Sr.	Model	Item Code	Description	Qty	Int.	Remarks	Cut Off
1	SOLIS-24	10055155AB	SECONDARY FLEXIBLE PIPE (STEERING UNIT TO STEERING CYLINDER L PORT)	1			
2	SOLIS-24	10055154AB	SECONDARY FLEXIBLE PIPE (STEERING UNIT TO STEERING CYLINDER R PORT)	1			
3	SOLIS-24	10053656AB	CLAMP ASSY (ST. UNIT TO ST. CYLINDER)	5			
4	SOLIS-24	04040106016	HEX SCREW M6*16	5			
5	SOLIS-24	20003669AC	SPRING WASHER B-6 TYPE-A IS: 3063-1972	5		INTERCHANGE ABLE WITH 20005516AA (ROHS)	
5	SOLIS-24	20005516AA	SPRING WASHER B-6 TYPE A IS: 3067-1972	5	YES	(ROHS) INTERCHANGE ABLE WITH	

Sr.	Model	Item Code	Description	Qty	Int.	Remarks	Cut Off
						20003669AC	
6	SOLIS-24	10053772AA	METALLIC PIPE (ST UNIT R TO ST CYL RH)	1		INTERCHANGEABLE WITH 10053772BB (ROHS)	
6	SOLIS-24	10053772BB	METALLIC PIPE (ST UNIT 'R' TO ST CYL RH)	1		(ROHS) INTERCHANGEABLE WITH 10053772AA	
7	SOLIS-24	10053773AA	METALLIC PIPE (ST UNIT L TO ST CYL LH)	1			
7	SOLIS-24	10053773BA	METALLIC PIPE (ST UNIT L TO ST CYL LH)	1	NO	INTERCHANGEABLE WITH 10053773CB (ROHS)	MMKST625708G26
7	SOLIS-24	10053773CB	METALLIC PIPE (ST UNIT 'L' TO ST CYL LH)	1		(ROHS) INTERCHANGEABLE WITH 10053773BA	
8	SOLIS-24	10053778AB	METALLIC PIPE (ST UNIT L TO ST CYL LH)	2			
9	SOLIS-24	10012486AB	ORFS JIC 90° CONNECTION	2		INTERCHANGEABLE WITH 10012486BD (ROHS)	
9	SOLIS-24	10012486BD	ORFS JIC 90° CONNECTION	2		(ROHS) INTERCHANGEABLE WITH 10012486AB	
10	SOLIS-24	10053774AC	CLAMP FOR STEERING CYL PIPES	1			
11	SOLIS-24	20003230AA	HEX BOLT M10*1.5*40 8-8 SA3NS	2			
12	SOLIS-24	20003671AC	SPRING WASHER B-10 TYPE-A IS: 3063-1972	2		INTERCHANGEABLE WITH 20005518AA (ROHS)	
12	SOLIS-24	20005518AA	SPRING WASHER B-10 TYPE A IS: 3067-1972	2	YES	(ROHS) INTERCHANGEABLE WITH 20003671AC	
13	SOLIS-24	10081598AB	VIBRATION DAMPER	5			

10321A-1/1

STEERING CYLINDER PIPES

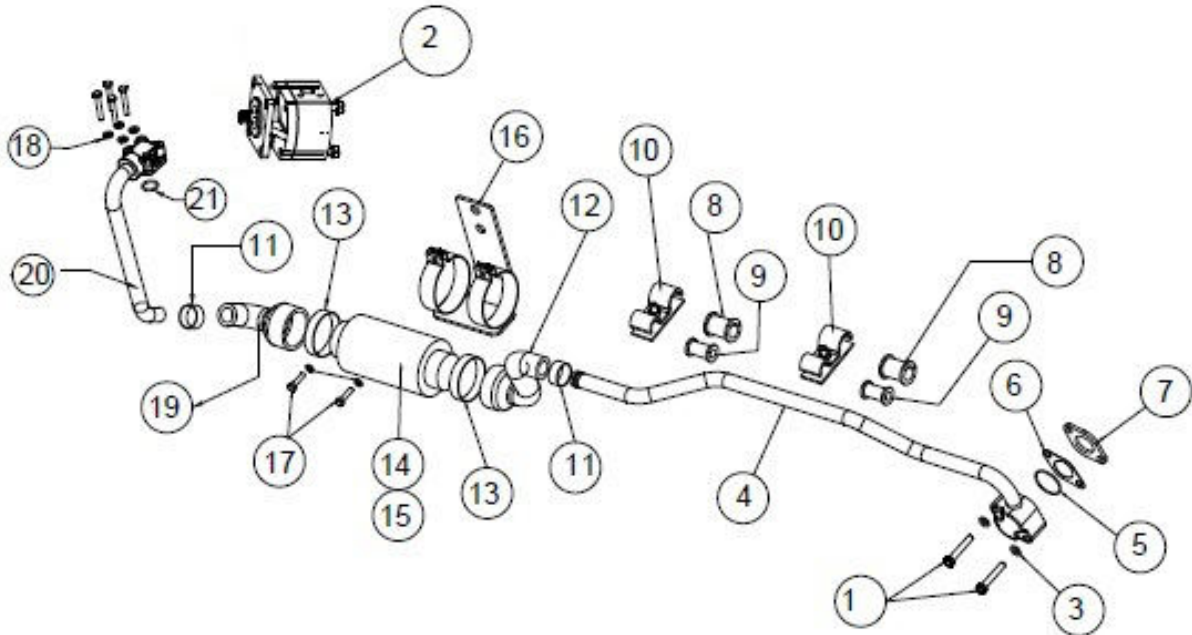


Sr.	Model	Item Code	Description	Qty	Int.	Remarks	Cut Off
1	ALL MODELS	10053449BF	SECONDARY FLEXIBLE PIPE (STEERING UNIT TO STEERING CYLINDER L PORT)	1			
2	ALL MODELS	10053448BF	SECONDARY FLEXIBLE PIPE (STEERING UNIT TO STEERING CYLINDER R PORT)	1			
3	ALL MODELS	10053656AC	CLAMP ASSY (ST. UNIT TO ST. CYLINDER)	5			
4	ALL MODELS	20005542AA	HEX FLANGE SCREW M6*1*16 -8.8 SA4GS	5			
5	ALL MODELS	20005516AA	SPRING WASHER B-6 TYPE-A IS: 3063-1972	5			
6	ALL MODELS	10053772BA	METALLIC PIPE (ST UNIT R TO ST CYL RH)	1			
7	ALL MODELS	10053773CA	METALLIC PIPE (ST UNIT L TO ST CYL LH)	1			

Sr.	Model	Item Code	Description	Qty	Int.	Remarks	Cut Off
8	ALL MODELS	10053778AB	VIBRATION DAMPER	2			
9	ALL MODELS	10012486BB	ORFS JIC 90° CONNECTION	2			
10	ALL MODELS	10053774AD	CLAMP FOR STEERING CYL PIPES	1			
11	ALL MODELS	20003230AA	HEX BOLT M10*1.5*40 8-8 SA3NS	2			
12	ALL MODELS	20005518AA	SPRING WASHER B-10 TYPE A IS: 3067-1972	2			

10330A-1/1

SUCTION LINE AREA

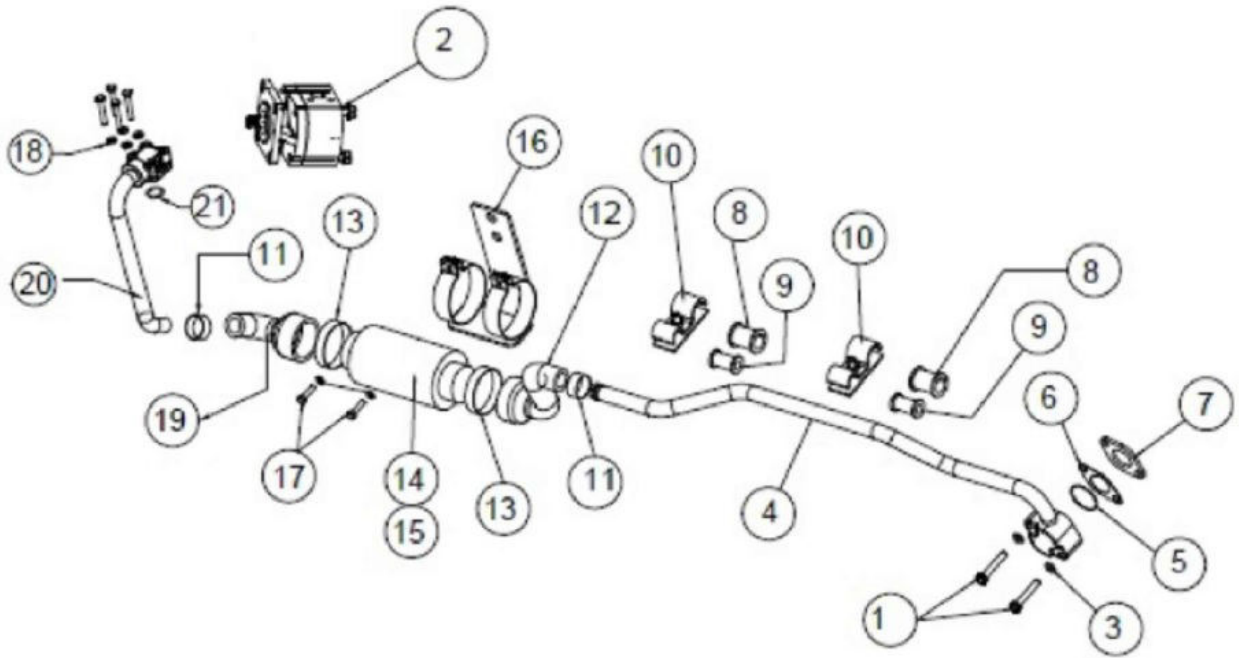


Sr.	Model	Item Code	Description	Qty	Int.	Remarks	Cut Off
1	SOLIS-24	20003286AC	HEX SCREW M8X1.25X35 8-8 SA4JS	2			
2	SOLIS-24	10051321AC	HYDRAULIC PUMP	1			
3	SOLIS-24	20003670AC	SPRING WASHER B-8 TYPE-A IS: 3063-1972	2			
4	SOLIS-24	10053324AB	PRIMARY SUCTION PIPE	1			
5	SOLIS-24	20004142AC	O-RING Ø18 X Ø2.0	1			
6	SOLIS-24	10052530AA	GASKET(STRAINER COVER)	1			
7	SOLIS-24	10054535AA	SPACER FOR STRAINER	1		INTERCHANGE ABLE WITH 300028551A (ROHS)	

Sr.	Model	Item Code	Description	Qty	Int.	Remarks	Cut Off
7	SOLIS-24	300028551A	SPACER FOR SUCTION LINE	1		(ROHS) INTERCHANGE ABLE WITH 10054535AA	
8	SOLIS-24	10081598AB	VIBRATION DAMPER	2			
9	SOLIS-24	10051486AB	VIBRATION DAMPER	2			
10	SOLIS-24	10053388AD	CLAMP FOR SUCTION	1			
11	SOLIS-24	20004823AB	HOSE WORM CLAMP DIA 30 IS:4762	2			
12	SOLIS-24	10014097AD	HOSE FOR STRAINER 2	1			
13	SOLIS-24	20003662AB	HOSE WORM CLAMP DIA 70 IS:4762	2			
14	SOLIS-24	20002253AC	SUCTION FILTER	1			
15	SOLIS-24	10023560AD	MAGNETIC STRAINER ASSY	1			
16	SOLIS-24	10014098AB	BRACKET FOR STRAINER	1			
17	SOLIS-24	20002016AC	Hex. head screw M10 x 1.5 x 30 8-8 SA4JS	2			
18	SOLIS-24	20003669AC	SPRING WASHER B-6 TYPE-A IS: 3063-1972	6		INTERCHANGE ABLE WITH 20005516AA (ROHS)	
18	SOLIS-24	20005516AA	SPRING WASHER B-6 TYPE A IS: 3067-1972	6	YES	(ROHS) INTERCHANGE ABLE WITH 20003669AC	
19	SOLIS-24	10053325AB	SECONDARY SUCTION PIPE	1			
20	SOLIS-24	10014096AE	HOSE FOR STRAINER 1	1			
21	SOLIS-24	10051651AB	O RING Ø18.3X Ø2.5	1			

10331A-1/1

SUCTION LINE AREA

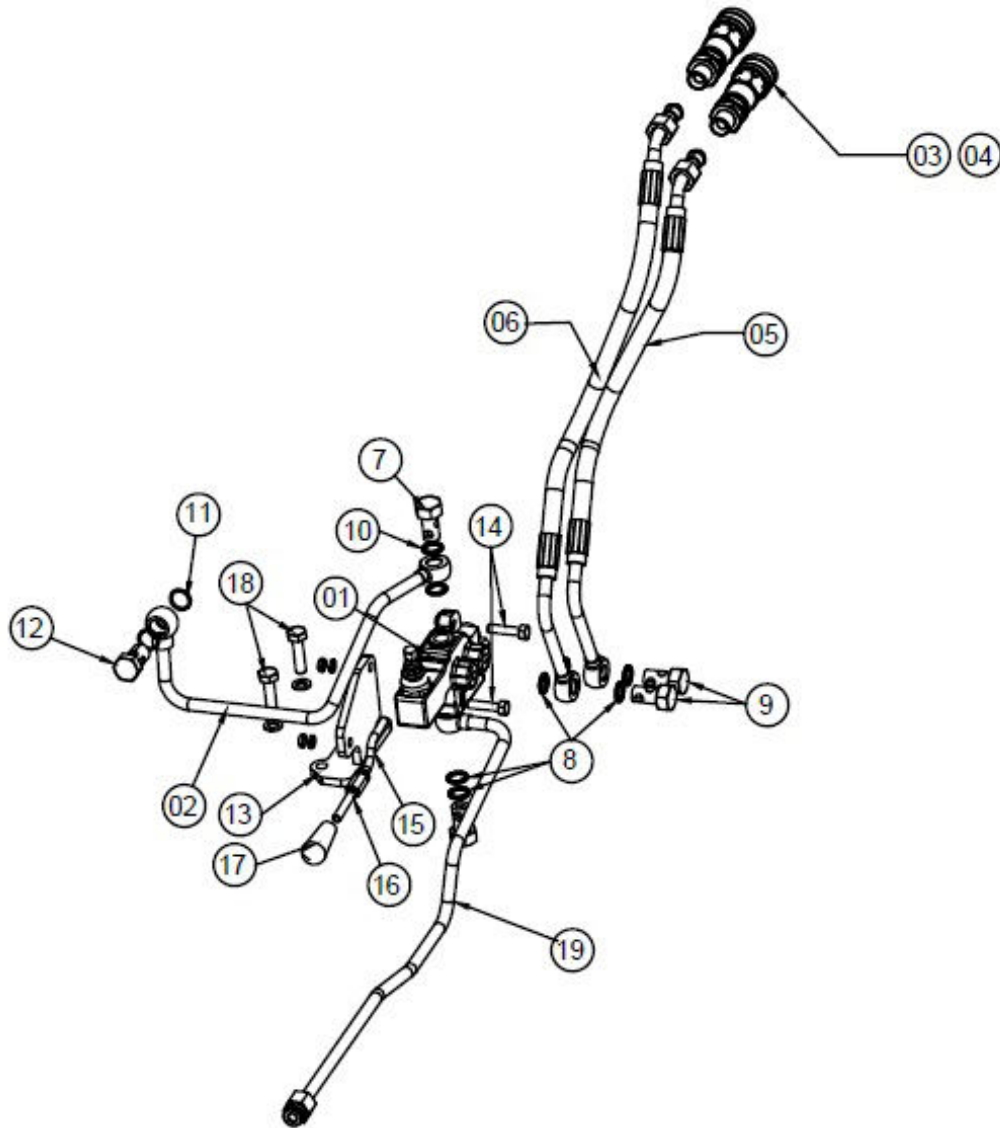


Sr.	Model	Item Code	Description	Qty	Int.	Remarks	Cut Off
1	ALL MODELS	20005567AA	HEX SCREW M8X1.25X35 8.8 SA4GS	2			
2	ALL MODELS	10051321AC	HYDRAULIC PUMP	1			
3	ALL MODELS	20005517AA	SPRING WASHER B-8 TYPE-A IS: 3063-1972	2			
4	ALL MODELS	10053324AB	PRIMARY SUCTION PIPE	1			
5	ALL MODELS	20004142AC	O-RING Ø18 X Ø2.0	1			
6	ALL MODELS	10052530AA	GASKET(STRAINER COVER)	1			
7	ALL MODELS	300028551A	SPACER FOR STRAINER	1			
8	ALL MODELS	10081598AB	VIBRATION DAMPER	2			

Sr.	Model	Item Code	Description	Qty	Int.	Remarks	Cut Off
9	ALL MODELS	10051486AB	VIBRATION DAMPER	2			
10	ALL MODELS	10053388AE	CLAMP FOR SUCTION	1			
11	ALL MODELS	20004823AB	HOSE WORM CLAMP DIA 30 IS:4762	2			
12	ALL MODELS	10014097AB	HOSE FOR STRAINER 2	1			
13	ALL MODELS	20003662AB	HOSE WORM CLAMP DIA 70 IS:4762	2			
14	ALL MODELS	20002253AC	SUCTION FILTER	1			
15	ALL MODELS	10023560AD	MAGNETIC STRAINER ASSY	1			
16	ALL MODELS	300009188A	BRACKET FOR STRAINER	1			
17	ALL MODELS	20005562AA	HEX HEAD SCREW M10X1.5X30 -8.8 SA4GS	2			
18	ALL MODELS	20005516AA	SPRING WASHER B-6 TYPE A IS: 3067-1972	6			
19	ALL MODELS	10053325AB	SECONDARY SUCTION PIPE	1			
20	ALL MODELS	10014096AB	HOSE FOR STRAINER 1	1			
21	ALL MODELS	10051651AB	O RING Ø18.3X Ø2.5	1			

10340A-1/1

1DA DCV

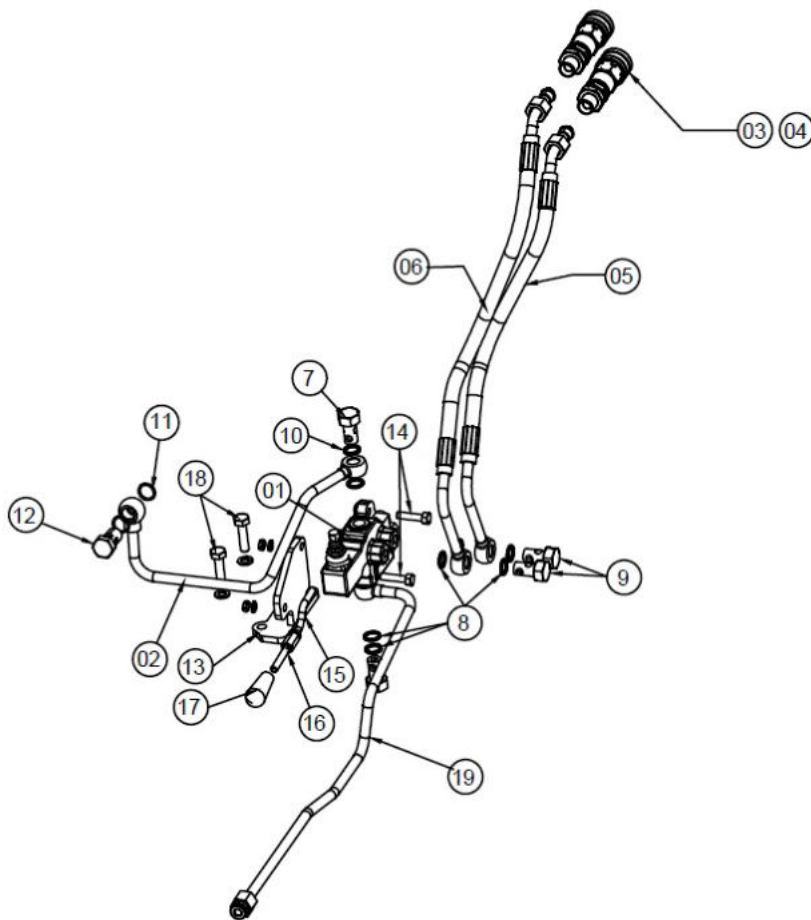


Sr.	Model	Item Code	Description	Qty	Int.	Remarks	Cut Off
1	SOLIS-24	10053907AB	1DA DCV (NON-CONVERTIBLE)	1			
2	SOLIS-24	10053839AA	PIPE FROM DCV TO LIFT	1			
3	SOLIS-24	10005405AB	MALE QUICK CONNECT COUPLER-1/2 BSP	1			
4	SOLIS-24	10005409AC	FEMALE QUICK CONNECT COUPLING-1/2 BSP	1			
5	SOLIS-24	10055156AA	PIPE FROM DCV TO QRC-1	1			
6	SOLIS-24	10055157AA	PIPE FROM DCV TO QRC-2	1			
7	SOLIS-24	04080700016	BENJO BOLT M16*1.5*28 (4 HOLES)	1			
8	SOLIS-24	10012572AB	BONDED SEAL FOR M16	2			

Sr.	Model	Item Code	Description	Qty	Int.	Remarks	Cut Off
9	SOLIS-24	04080700016	BENJO BOLT M16*1.5*28 (4 HOLES)	1			
10	SOLIS-24	10012572AB	BONDED SEAL FOR M16	2			
11	SOLIS-24	10012573AB	BONDED SEAL FOR M18	2			
12	SOLIS-24	20003896AB	BENJO BOLT M18X1.5	1			
13	SOLIS-24	10052355AB	DCV MTG. BKT.	1			
14	SOLIS-24	20003355AD	HEX NUT M8X1.25 -8 SA4JS	2		INTERCHANGE ABLE WITH 200000391A (ROHS)	
14	SOLIS-24	200000391A	HEX NUT M18X1.25 -8 SA4NS	2		(ROHS) INTERCHANGE ABLE WITH 20003355AD	
15	SOLIS-24	10056559AA	DCV LEVER UNPAINTED	1			
16	SOLIS-24	10056560AA	DCV LEVER 2 UNPAINTED	1			
17	SOLIS-24	10004846AC	KNOB (ROD ASSY / HANDLER PTO)	1			
18	SOLIS-24	20003355AD	HEX NUT M8X1.25 -8 SA4JS	2		INTERCHANGE ABLE WITH 200000391A (ROHS)	
18	SOLIS-24	200000391A	HEX NUT M18X1.25 -8 SA4NS	2		(ROHS) INTERCHANGE ABLE WITH 20003355AD	
19	SOLIS-24	10053839AA	PIPE FROM DCV TO LIFT	1			

10341A-1/1

1DA DCV

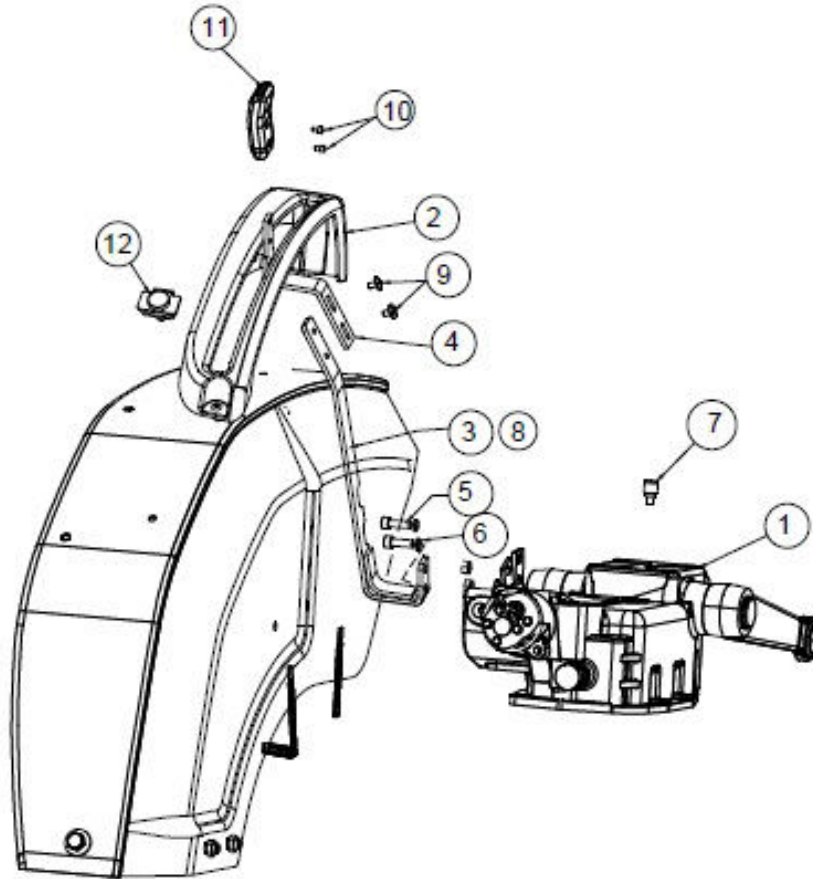


Sr.	Model	Item Code	Description	Qty	Int.	Remarks	Cut Off
1	ALL MODELS	10053907AB	1DA DCV (NON-CONVERTIBLE)	1			
2	ALL MODELS	10053839AA	PIPE FROM DCV TO LIFT	1			
3	ALL MODELS	10005405AB	MALE QUICK CONNECT COUPLER-1/2 BSP	1			
3	ALL MODELS	10039219AA	MALE QUICK CONNECT COUPLER-1/2"BSP	2	YES AS SET	THESE PARTS (10057451AB, 300023232A, 10056650AA, 10005405AB, 300023523A) ARE INTERCHANGEABLE AS A SET WITH (10057451AC,	MEMG412H3GH WS2394

Sr.	Model	Item Code	Description	Qty	Int.	Remarks	Cut Off
						300023232B, 300044293A, 10039219AA, 10087872AA, 10087873AA, 300044504A, 300044529A)	
4	ALL MODELS	300032029A	FEMALE QUICK CONNECT COUPLING-1/2 BSP	1			
5	ALL MODELS	300028472A	PIPE FROM DCV TO QRC-1	1			
6	ALL MODELS	300028471A	PIPE FROM DCV TO QRC-2	1			
7	ALL MODELS	20005660AA	BANJO BOLT M16X1.5 SA4JS	1			
8	ALL MODELS	10012572AA	BONDED SEAL FOR M16	2			
9	ALL MODELS	20005660AA	BANJO BOLT M16X1.5 SA4JS	1			
10	ALL MODELS	10012572AB	BONDED SEAL FOR M16	2			
11	ALL MODELS	10012573AB	BONDED SEAL FOR M18	2			
12	ALL MODELS	20005628AA	BENJO BOLT M18X1.5 IS:3174-1974	1			
13	ALL MODELS	10052355AB	DCV MTG. BKT.	1			
14	ALL MODELS	20005504AA	HEX NUT M8X1.25 -8 SA4GS	2			
15	ALL MODELS	10056559AA	DCV LEVER UNPAINTED	1			
16	ALL MODELS	10056560AA	DCV LEVER 2 UNPAINTED	1			
17	ALL MODELS	10004846AC	KNOB (ROD ASSY / HANDLER PTO)	1			
18	ALL MODELS	20005504AA	HEX NUT M8X1.25 -8 SA4GS	2			
19	ALL MODELS	10053839AA	PIPE FROM DCV TO LIFT	1			

10350A-1/1

REAR COVER AREA

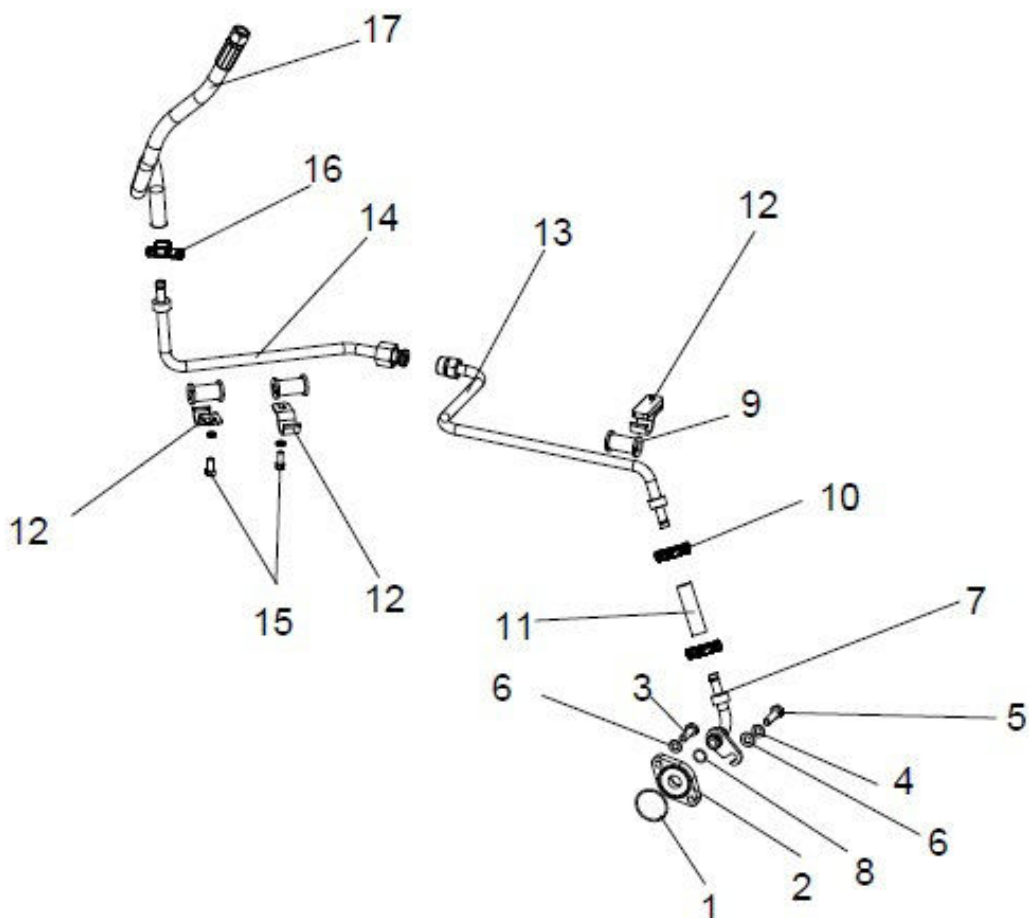


Sr.	Model	Item Code	Description	Qty	Int.	Remarks	Cut Off
1	SOLIS-24	10051219BA	MITA HYDRAULIC 500KG	1			
2	SOLIS-24	10053425AD	COVER POSITION LEVER	1			
3	SOLIS-24	10053426AE	POSITION LEVER	1			
4	SOLIS-24	10055550AB	POSITION LEVER UPPER PART	1			
5	SOLIS-24	20004660AC	SOCKET HEAD CAP SCREW	1			
5	SOLIS-24 EPA	20005635AA	SOCKET HEAD CAP SCREW M6X30 8.8-SA4GS	1			
6	SOLIS-24	20003669AC	SPRING WASHER B-6 TYPE-A IS: 3063-1972	1		INTERCHANGE ABLE WITH 20005516AA (ROHS)	

Sr.	Model	Item Code	Description	Qty	Int.	Remarks	Cut Off
6	SOLIS-24 EPA	20005516AA	SPRING WASHER B-6 TYPE A IS: 3067-1972	1			
6	SOLIS-24	20005516AA	SPRING WASHER B-6 TYPE A IS: 3067-1972	1	YES	(ROHS) INTERCHANGE ABLE WITH 20003669AC	
7	SOLIS-24	10051330AB	BREATHER ASSY	1			
8	SOLIS-24	10055153AA	POSITION LEVER	2			
8	SOLIS-24 EPA	10053426AE	POSITION LEVER	2			
9	SOLIS-24	20003354AB	HEX NUT M6 -8 SA3NS	1			
10	SOLIS-24	20003354AB	HEX NUT M6 -8 SA2JS	2			
11	SOLIS-24	10053690AA	KNOB (POSITION LEVER)	2			
11	SOLIS-24 EPA	10085118AA	Knob (Draft Lever)	2			
12	SOLIS-24	10055562AA	KNOB FOR PC DC LEVER	1			

10360A-1/1

PIPES FROM STG. UNIT TO TANK

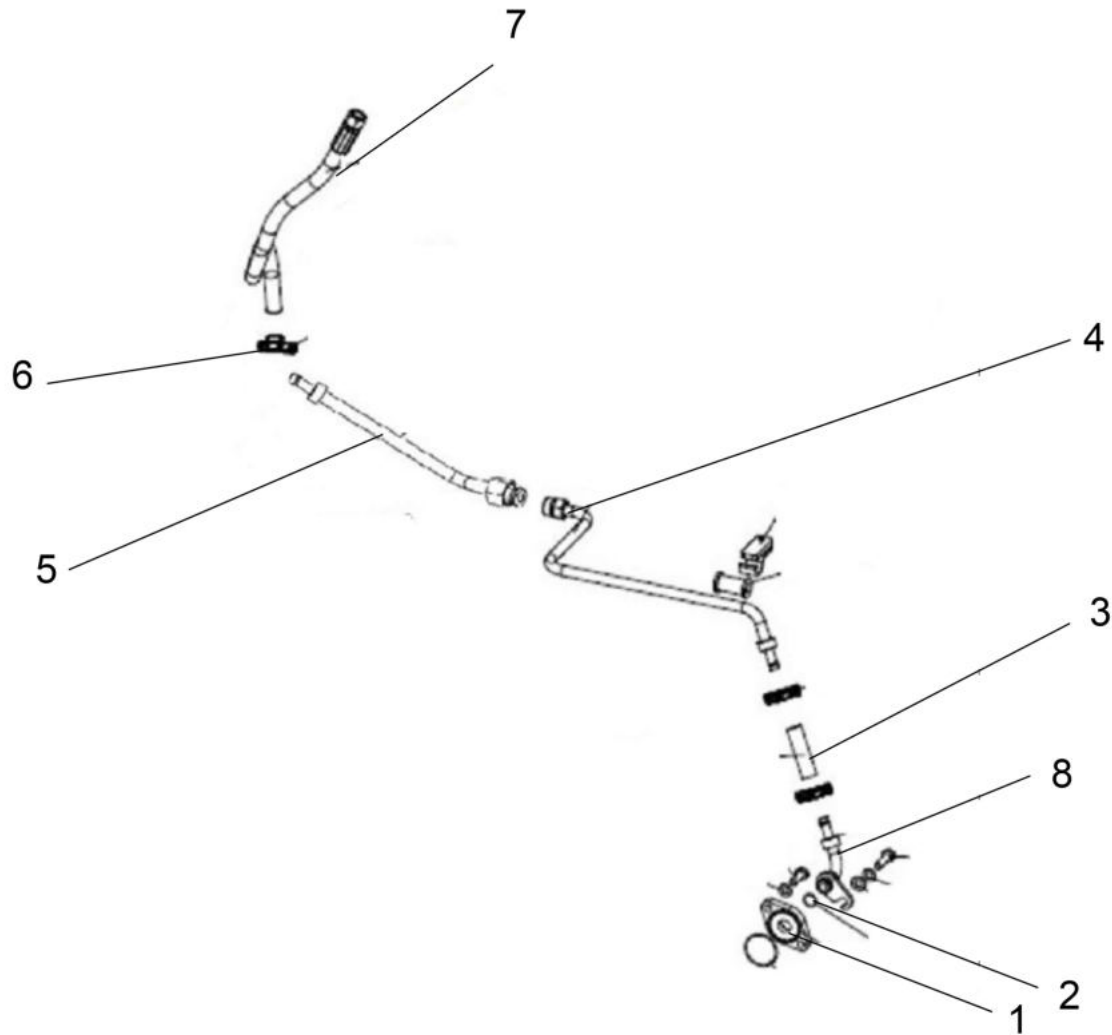


Sr.	Model	Item Code	Description	Qty	Int.	Remarks	Cut Off
1	SOLIS-24	10051651AB	O RING Ø18.3X Ø2.5	1			
2	SOLIS-24	10055864AA	ADOPTER FOR TANK LINE	1			
3	SOLIS-24	20002059AB	M8X16 BOLT	1			
4	SOLIS-24	20003670AC	SPRING WASHER B-8 TYPE-A IS: 3063-1972	1			
5	SOLIS-24	20003285AC	HEX SCREW M8X1.25X30 8-8 SA4JS	1			
6	SOLIS-24	20003658AB	PUNCHED WASHER A (9) IS:2016 STEEL	2			
7	SOLIS-24	10055865AA	SECONDARY PIPE FOR STG TANK LINE	1			
8	SOLIS-24	10014902AA	O-RING DIA 13.2 X DIA1.8	1		INTERCHANGEABLE WITH 10014902AC	

Sr.	Model	Item Code	Description	Qty	Int.	Remarks	Cut Off
						(ROHS)	
8	SOLIS-24	10014902AC	O-RING DIA 13.2 X DIA1.8	1		(ROHS) INTERCHANGE ABLE WITH 10014902AA	
9	SOLIS-24	10051486AB	VIBRATION DAMPER	3			
10	SOLIS-24	20005197AA	HOSE WORM CLAMP	2			
11	SOLIS-24	10055940AA	HOSE	1			
11	SOLIS-24	10055940AB	HOSE	1	YES		MEMGMKST635 254G26
12	SOLIS-24	10054136AB	CLAMP CURVE-2	3			
13	SOLIS-24	10055870AA	INTERMEDIATE PIPE FROM STG TANK TO DIFFERENTIAL HSG,	1			
14	SOLIS-24	10055548AA	INTERMEDIATE PIPE FROM STG UNIT T TO TANK	1		INTERCHANGE ABLE WITH 10055548AB (ROHS)	
14	SOLIS-24	10055548AB	INTERMEDIATE PIPE FROM STG UNIT T TO TA	1		(ROHS) INTERCHANGE ABLE WITH 10055548AA	
15	SOLIS-24	04040106016	HEX SCREW M6*16	4			
16	SOLIS-24	20003511AA	WORM DRIVE HOSE CLAMP A22 IS: 4762	1		INTERCHANGE ABLE WITH 20005622AA (ROHS)	
16	SOLIS-24	20005622AA	HOSE WORM CLAMP A22 IS:4762	1		(ROHS) INTERCHANGE ABLE WITH 20003511AA	
17	SOLIS-24	10055566AA	FLEXIBLE PIPE FROM STG UNIT T TO REAR COVER TANK	1		INTERCHANGE ABLE WITH 300028655A (ROHS)	
17	SOLIS-24	300028655A	FLEXIBLE PIPE FROM STG UNIT T TO REAR C	1		(ROHS) INTERCHANGE ABLE WITH 10055566AA	

10361A-1/1

PIPES FROM STG. UNIT TO TANK

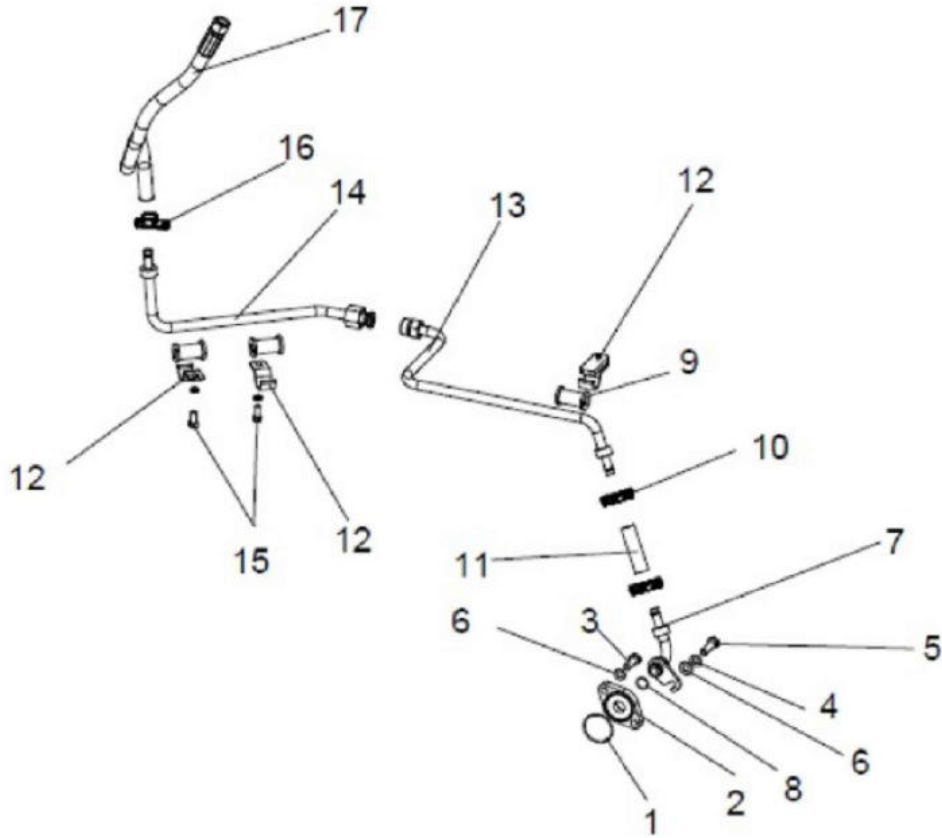


Sr.	Model	Item Code	Description	Qty	Int.	Remarks	Cut Off
1	ALL MODELS	10055864AA	ADOPTER FOR TANK LINE	1			
2	ALL MODELS	10014902AA	O-RING DIA 13.2 X DIA1.8	1		INTERCHANGEABLE WITH 10014902AC (ROHS)	
2	ALL MODELS	10014902AC	O-RING DIA 13.2 X DIA1.8	1		(ROHS) INTERCHANGEABLE WITH 10014902AA	
3	ALL MODELS	10055940AB	HOSE	1			
4	ALL MODELS	10055870AA	INTERMEDIATE PIPE FROM STG TANK TO DIFFERENTIAL HSG,	1			
4	SONALIKA-26 FACELIFT	10055870BB	INTERMEDIATE PIPE FROM STG TANK TO DIFFERENTIAL HSG,	1			

Sr.	Model	Item Code	Description	Qty	Int.	Remarks	Cut Off
5	ALL MODELS	300033122A	INTERMEDIATE PIPE FROM STG UNIT T TO TANK	1			
6	ALL MODELS	20003511AA	WORM DRIVE HOSE CLAMP A22 IS: 4762	1		INTERCHANGEABLE WITH 20005622AA (ROHS)	
6	ALL MODELS	20005622AA	HOSE WORM CLAMP A22 IS:4762	1		(ROHS) INTERCHANGEABLE WITH 20003511AA	
7	ALL MODELS	300033124A	FLEXIBLE PIPE FROM STG UNIT T TO REAR COVER TANK	1			
8	SONALIKA-26 FACELIFT	10055865AC	FLEXIBLE PIPE FROM STG UNIT T TO REAR COVER TANK	1			

10362A-1/1

PIPES FROM STG. UNIT TO TANK

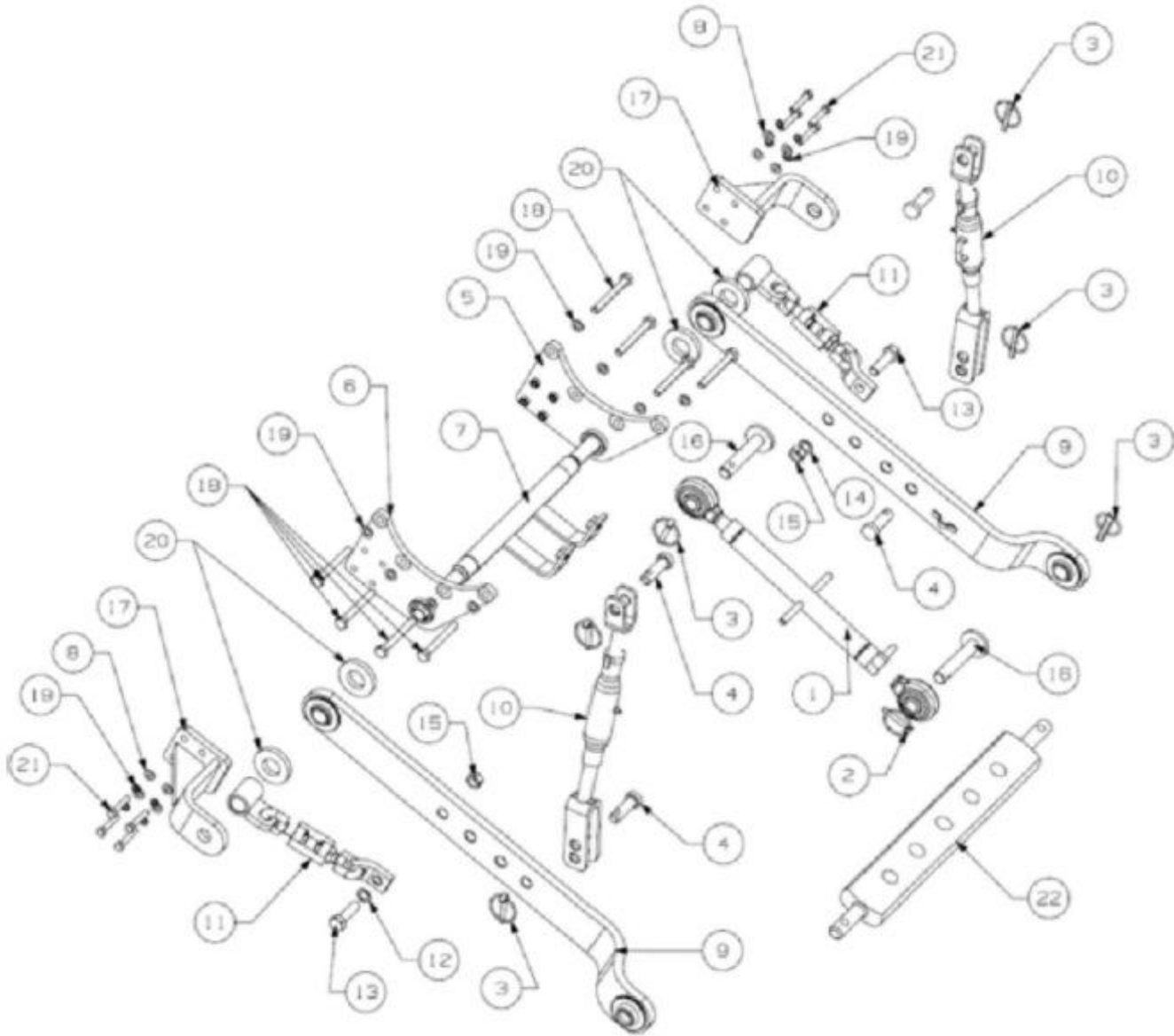


Sr.	Model	Item Code	Description	Qty	Int.	Remarks	Cut Off
1	ALL MODELS	10051651AB	O RING Ø18.3X Ø2.5	1			
2	ALL MODELS	10055864AA	ADOPTER FOR TANK LINE	1			
3	ALL MODELS	20005572AA	HEX SCREW M8X16	1			
4	ALL MODELS	20005517AA	SPRING WASHER B-8 TYPE-A IS: 3063-1972	1			
5	ALL MODELS	20005563AA	HEX SCREW M8X1.25X30 -8.8 SA4GS	1			
6	ALL MODELS	20005532AA	PUNCHED WASHER A (9) IS:2016 STEEL	2			
7	ALL MODELS	10055865AB	SECONDARY PIPE FOR STG TANK LINE	1			
8	ALL MODELS	10014902AA	O-RING DIA 13.2 X DIA1.8	1		INTERCHANGEABLE WITH 10014902AC	

Sr.	Model	Item Code	Description	Qty	Int.	Remarks	Cut Off
						(ROHS)	
8	ALL MODELS	10014902AC	O-RING DIA 13.2 X DIA1.8	1		(ROHS) INTERCHANGE ABLE WITH 10014902AA	
9	ALL MODELS	10051486AB	VIBRATION DAMPER	3			
10	ALL MODELS	20004608AA	HOSE WORM CLAMP 14X20 IS:4762	2			
11	ALL MODELS	10055940AB	HOSE	1			
12	ALL MODELS	300028734A	CLAMP CURVE-2	3			
13	ALL MODELS	10055870AA	INTERMEDIATE PIPE FROM STG TANK TO DIFFERENTIAL HSG,	1			
14	ALL MODELS	10055548AB	INTERMEDIATE PIPE FROM STG UNIT T TO TANK	1			
15	ALL MODELS	20005542AA	HEX FLANGE SCREW M6*1*16 -8.8 SA4GS	4			
16	ALL MODELS	20005622AA	HOSE WORM CLAMP A22 IS:4762	1			
17	ALL MODELS	300028655A	FLEXIBLE PIPE FROM STG UNIT T TO REAR COVER TANK	1			

10370A-1/1

THREE POINT LINKAGES

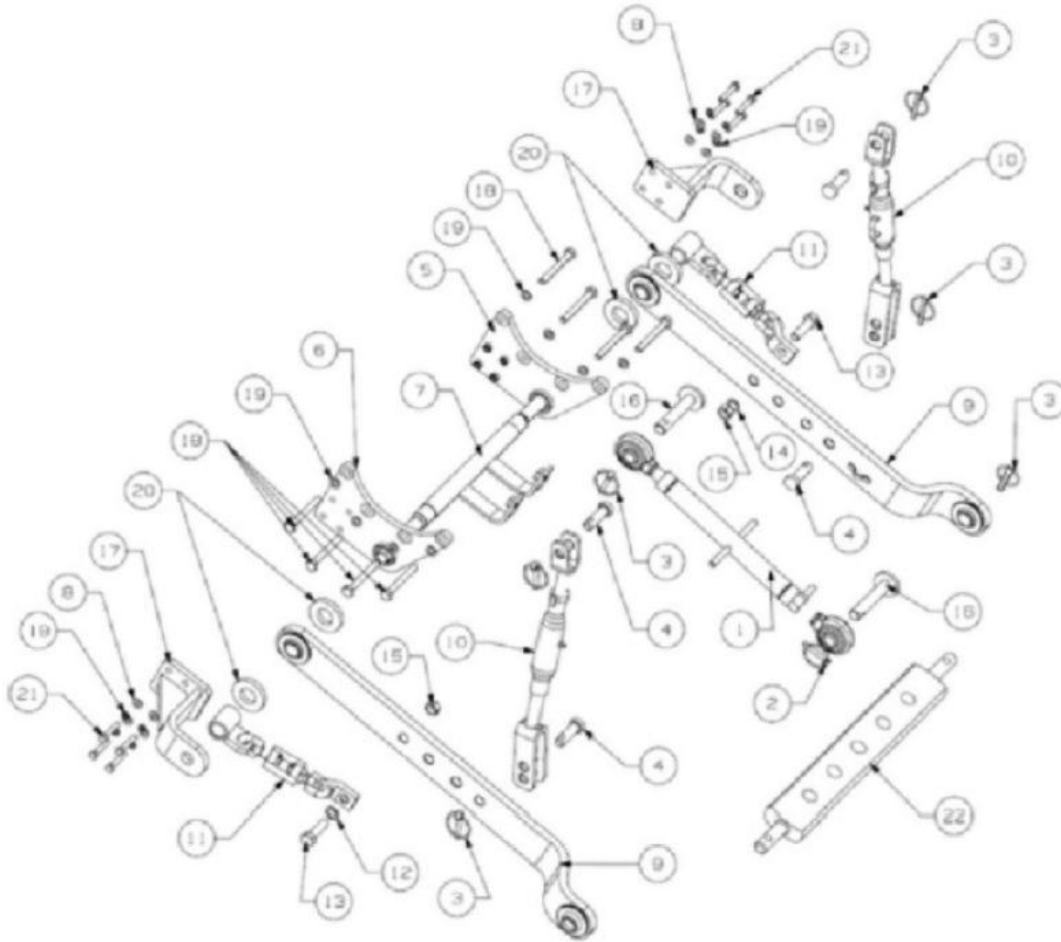


Sr.	Model	Item Code	Description	Qty	Int.	Remarks	Cut Off
1	SOLIS-24	10051213AB	TOP LINK ASSY	1			
2	SOLIS-24	10080109AC	LYNCH PIN ASSY.(Ø7)	3			
3	SOLIS-24	10080109AC	LYNCH PIN ASSY.(Ø7)	3			
4	SOLIS-24	10054339AB	PIN (3 POINT LINK)	2			
5	SOLIS-24	10054336BA	LOWER LINK MTG. BKT. (RH)	1			
6	SOLIS-24	10054335BA	Bush Plate Assy LH	1			
7	SOLIS-24	10055553AB	Shaft Lower Link	1			
8	SOLIS-24	20004935AA	PLAIN WASHER DIA 8.4 *DIA 17*1.6	8			

Sr.	Model	Item Code	Description	Qty	Int.	Remarks	Cut Off
9	SOLIS-24	10051212AJ	LOWER LINK ASSY	2			
10	SOLIS-24	10055149AA	ADJUSTABLE LIFT ROD ASSY	2			
11	SOLIS-24	10055551AA	ADJUSTABLE ANCHOR CHAIN ASSY	2			
12	SOLIS-24	20004304AB	PUNCHED WASHER A14 IS:2016	2			
13	SOLIS-24	20004996AA	HEX SCREW M14*40 SA4JS	2			
14	SOLIS-24	20003673AC	SPRING WASHER B-14 TYPE-A IS: 3063-1972	4			
15	SOLIS-24	20004532AB	HEX NUT M14X2 -8 SA4JS	2			
16	SOLIS-24	10053509AD	PIN FOR TOP LINK	2			
17	SOLIS-24	10054560AA	Additional Support for Lower Link Mounting Shaft	2			
18	SOLIS-24	20003223AB	HEX BOLT M10*1.5*90	8			
19	SOLIS-24	20003671AC	SPRING WASHER B-10 TYPE-A IS: 3063-1972	8		INTERCHANGE ABLE WITH 20005518AA (ROHS)	
19	SOLIS-24	20005518AA	SPRING WASHER B-10 TYPE A IS: 3067-1972	8	YES	(ROHS) INTERCHANGE ABLE WITH 20003671AC	
20	SOLIS-24	10051635AB	SPACER FOR LOWER LINK	4			
21	SOLIS-24	20003286AC	HEX SCREW M8X1.25X35 8-8 SA4JS	8			
22	SOLIS-24	10051214AB	DRAW BAR	1			

10371A-1/1

THREE POINT LINKAGES

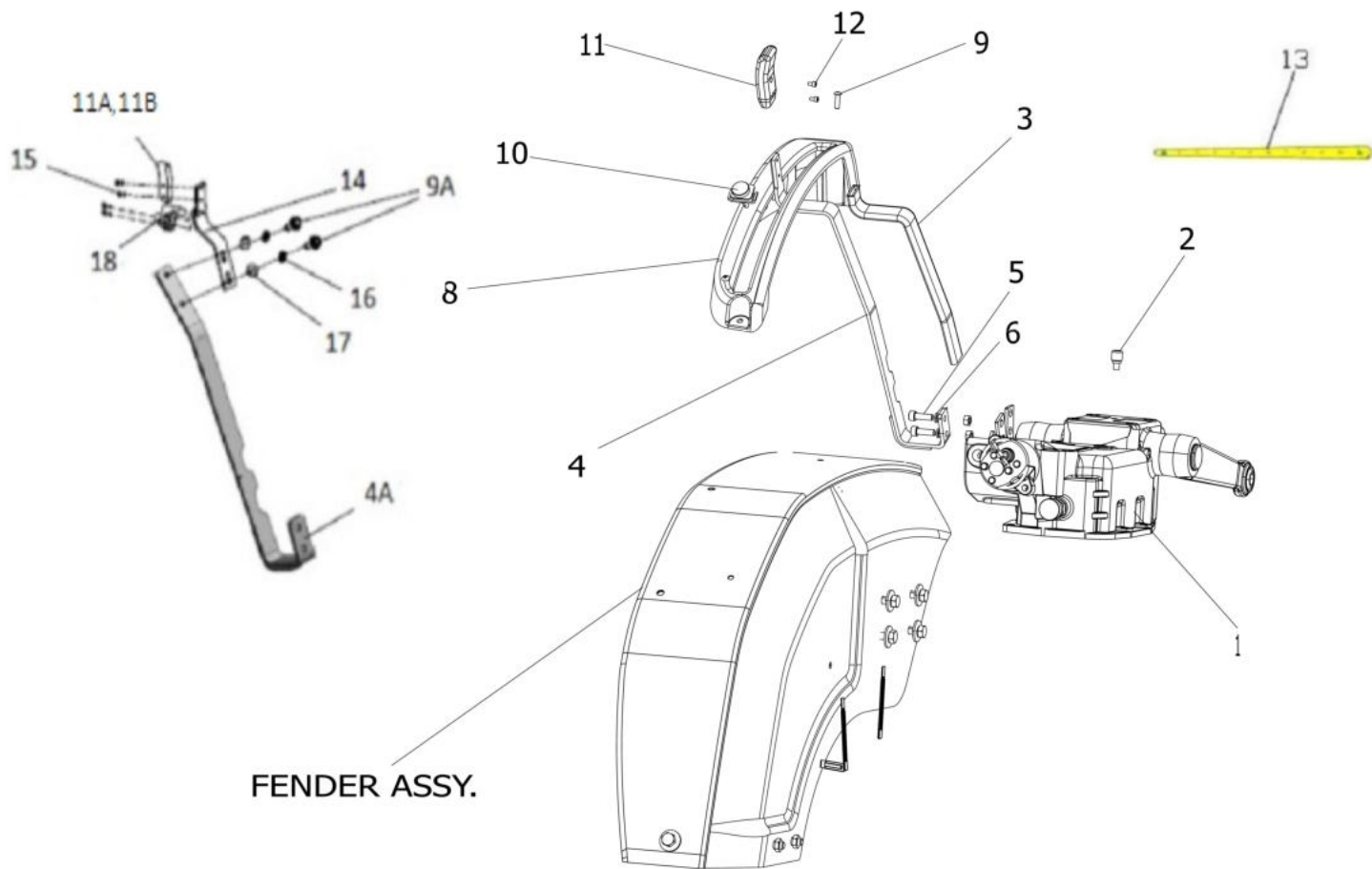


Sr.	Model	Item Code	Description	Qty	Int.	Remarks	Cut Off
1	ALL MODELS	300025225A	TOP LINK ASSY	1			
2	ALL MODELS	10087923AA	LYNCH PIN ASSY.(Ø7)	3			
3	ALL MODELS	10087923AA	LYNCH PIN ASSY.(Ø7)	3			
4	ALL MODELS	10057687AA	PIN (3 POINT LINK)	2			
5	ALL MODELS	10054336BA	LOWER LINK MTG. BKT. (RH)	1			
6	ALL MODELS	10054335BA	Bush Plate Assy LH	1			
7	ALL MODELS	10055553AB	Shaft Lower Link	1			
8	ALL MODELS	20004935AB	PLAIN WASHER DIA 8.4 *DIA 17*1.6	8			

Sr.	Model	Item Code	Description	Qty	Int.	Remarks	Cut Off
9	ALL MODELS	300022070A	LOWER LINK ASSY	2			
10	ALL MODELS	10055149AB	ADJUSTABLE LIFT ROD ASSY	2			
11	ALL MODELS	10055551AB	ADJUSTABLE ANCHOR CHAIN ASSY	2			
12	ALL MODELS	20005512AA	PUNCHED WASHER A14 IS:2016	2			
13	ALL MODELS	20005566AA	HEX SCREW M14X40 SA4GS	2			
14	ALL MODELS	20005520AA	SPRING WASHER B-14 TYPE A IS: 3067-1972	4			
15	ALL MODELS	20005505AA	HEX NUT M14X2 -8 SA4GS	2			
16	ALL MODELS	10057679AA	PIN FOR TOP LINK	2			
17	ALL MODELS	10054560AA	Additional Support for Lower Link Mounting Shaft	2			
18	ALL MODELS	20003223AB	HEX BOLT M10*1.5*90	8			
19	ALL MODELS	20005518AA	SPRING WASHER B-10 TYPE A IS: 3067-1972	8			
20	ALL MODELS	10057675AA	SPACER FOR LOWER LINK	4			
21	ALL MODELS	20005567AA	HEX SCREW M8X1.25X35 8.8 SA4GS	8			
22	ALL MODELS	10051214AB	DRAW BAR	1			

11110A-1/1

OPERATING SECTOR ASSY.



Sr.	Model	Item Code	Description	Qty	Int.	Remarks	Cut Off
1	SOLIS-26, SONALIKA-26	10051219AC	MITA HYDRAULIC 500KG	1			
1	SOLIS 26 WITH MITA LIFT WITHOUT TIPPING TRAILER	10051219BA	MITA HYDRAULIC 500KG	1	NO	PART MODIFIED FROM 10051219AC	MEMGMGST639 247G
1	SOLIS-24	10051219BA	MITA HYDRAULIC 500KG	1			
1	SONALIKA-26 FACELIFT	10051219BA	MITA HYDRAULIC 500KG	1			
2	SOLIS-26, SONALIKA-26	10012629AB	BREATHER ASSY	1	YES		AZVDU485953S 3
2	SOLIS-24	10051330AB	BREATHER ASSY	1			
2	SOLIS-26, SONALIKA-26	10051330AA	BREATHER ASSY	1		INTERCHANGEABLE WITH 10051330AB	

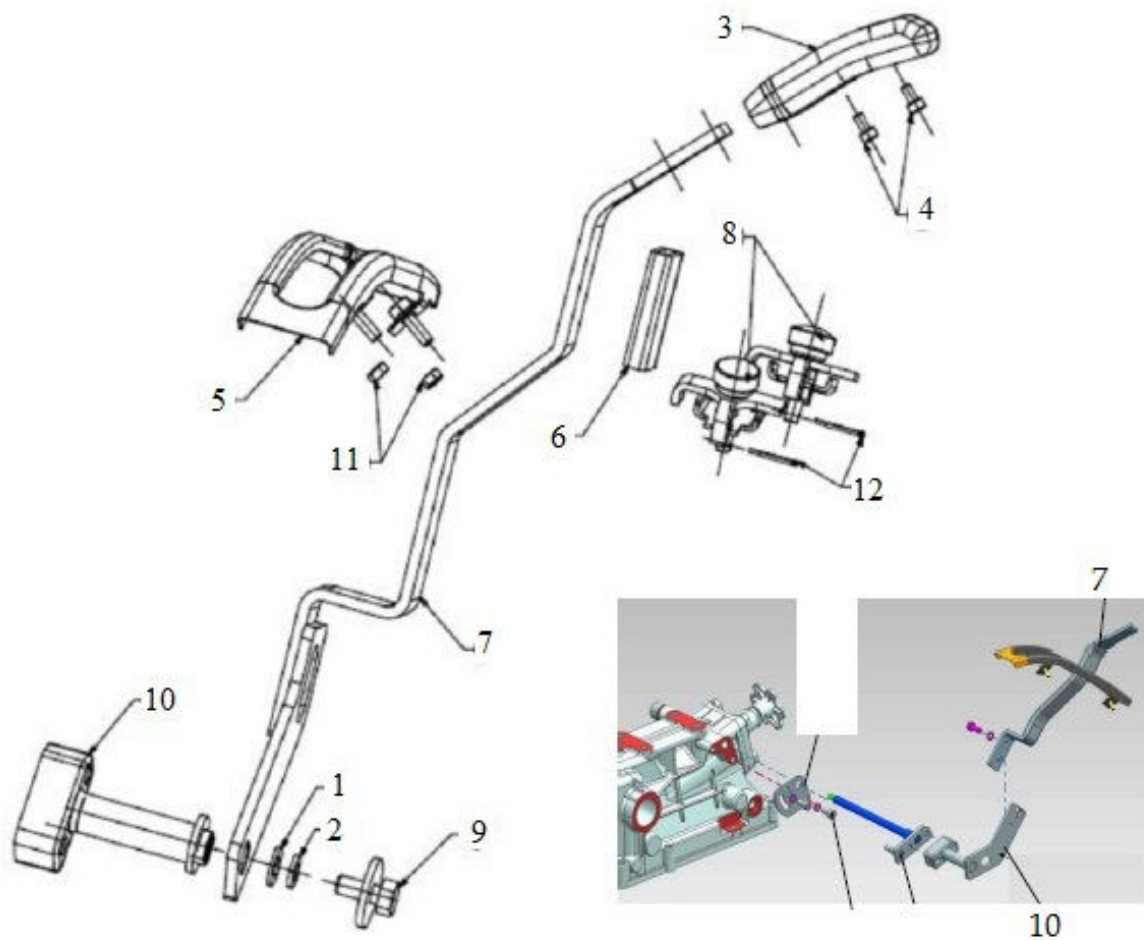
Sr.	Model	Item Code	Description	Qty	Int.	Remarks	Cut Off
						(ROHS)	
2	SOLIS-26, SONALIKA-26	10051330AB	BREATHER ASSY	1	YES	(ROHS) INTERCHANGE ABLE WITH 10051330AA	
3	SOLIS-26, SONALIKA-26, SOLIS-24	10053728AA	POSITION LEVER DAMPER	1		DELETED	
4A	SOLIS-26,SONALIKA-26 (ALL EXPORT MODELS)	10053426AE	POSITION LEVER	1	YES		MEMGMKSF554 589G26
4A	SOLIS-26,SONALIKA-26 (ALL EXPORT MODELS)	10056135AA	POSITION LEVER (BLACK PAINTED)	1		NEW PARTS ADDED WITH 10053426AE FROM	MEMGMKSF554 589G26
4	SOLIS-24	10055153AA	POSITION LEVER	1			
4	SOLIS-26, SONALIKA-26	10053426AC	POSITION LEVER	1			
4	SOLIS-26, SONALIKA-26	10053426AD	POSITION LEVER	1			
4A	SOLIS-24 EPA	10053426AE	POSITION LEVER	1			
4A	SOLIS-24 EPA	10056135AA	POSITION LEVER	1			
5	SOLIS-26, SONALIKA-26	04040308025	HEX SOCKET HEAD CAP SCREW M8*25	2			
5	SOLIS-24	20005001AA	HEX SOCKET HEAD CAP SCREW M8*25	2			
5	SOLIS-24 EPA	20005001AB	HEX SOCKET HEAD CAP SCREW M8*25	2			
6	SOLIS-26, SONALIKA-26	04030400008	SPRING WASHER B-8	2		INTERCHANGE ABLE WITH 20005517AA (ROHS)	
6	SOLIS-24	20003670AC	SPRING WASHER B-8 TYPE-A IS: 3063-1972	2			
6	SOLIS-24 EPA	20005517AA	SPRING WASHER B-8 TYPE-A IS: 3063-1972	2			
6	SOLIS-26, SONALIKA-26	20005517AA	SPRING WASHER B-8 TYPE A IS: 3067-1972	2	YES	(ROHS) INTERCHANGE ABLE WITH 04030400008	
8	SOLIS-26, SONALIKA-26	10053425AC	COVER POSITION LEVER	1		INTERCHANGE ABLE WITH 10053425AD (ROHS)	
8	SOLIS-24	10053425AD	COVER POSITION LEVER	1			
8	SOLIS-26, SONALIKA-26	10053425AD	COVER POSITION LEVER	1		(ROHS) INTERCHANGE ABLE WITH 10053425AC	
9	SOLIS-24	20004652AB	TRUSS PHILIPS M/C SCREW M6X20	2			
9A	SOLIS-26,SONALIKA-26 (ALL EXPORT MODELS)	20003517AA	HEX FLANGE SCREW M6*1*16-8.8 SA2JS	2	NO		MEMGMKSF554 589G26
9A	SOLIS-24	20003517AB	HEX FLANGE SCREW M6*1*16-8.8 SA4JS	2		INTERCHANGE ABLE WITH 20005542AA (ROHS)	
9	SOLIS-26, SONALIKA-26, SOLIS-24	20004652AA	TRUSS PHILIPS M/C SCREW M6X20	2		INTERCHANGE ABLE WITH 20004652AB (ROHS)	

Sr.	Model	Item Code	Description	Qty	Int.	Remarks	Cut Off
9	SOLIS-26, SONALIKA-26	10067946AA	CROSS SLOTTED TRUSS HEAD SCREW M8X25	2			
9	SOLIS-26, SONALIKA-26	20004978AA	HEX FLANGE SCREW M8X25-8.8 SA4NS	2	YES	INTERCHANGEABLE WITH 20005543AA (ROHS)	MEMFMKST649 802G26
9A	SOLIS-24 EPA	20005542AA	HEX FLANGE SCREW M6*1*16 -8.8 SA4GS	2			
9A	SOLIS-24	20005542AA	HEX FLANGE SCREW M6*1*16 -8.8 SA4GS	2	YES	(ROHS) INTERCHANGEABLE WITH 20003517AB	
9	SOLIS-26, SONALIKA-26, SOLIS-24	20004652AB	TRUSS PHILIPS M/C SCREW M6X20	2		(ROHS) INTERCHANGEABLE WITH 20004652AA	
9	SOLIS-26, SONALIKA-26	20005543AA	HEX FLANGE SCREW M8*1.25*25 -8.8 SA4GS	2		(ROHS) INTERCHANGEABLE WITH 20004978AA	
10	SOLIS-26, SONALIKA-26	10053691AA	LOCK COVER POSITION LEVER	1			
10	SOLIS-26, SONALIKA-26	10053691AC	LOCK COVER POSITION LEVER	1		INTERCHANGEABLE WITH 10053691AE (ROHS)	
10	SOLIS-24	10053691AD	LOCK COVER POSITION LEVER	1			
10	SOLIS-24 EPA	10053691AE	LOCK COVER POSITION LEVER	1			
10	SOLIS-26, SONALIKA-26	10053691AE	KNOB ASSY	1	YES	(ROHS) INTERCHANGEABLE WITH 10053691AC	
11	SOLIS-26 EXCEPT FACELIFT, SONALIKA-26, SOLIS-24	10053690AA	KNOB (POSITION LEVER)	1			
11	SOLIS-26 EXCEPT FACELIFT, SONALIKA-26	10054155AA	POSITION LEVER KNOB	1		INTERCHANGEABLE WITH 10054155AB (ROHS)	
11	SOLIS-24	10054155AB	POSITION LEVER KNOB	1			
11A	SOLIS-26 EXCEPT FACELIFT, SONALIKA-26 (ALL EXPORT MODELS), SOLIS-24	10053690AA	KNOB (POSITION LEVER)	1	NO		MEMGMKSF554 589G26
11B	SOLIS-26 FACELIFT, SOLIS-24 EPA	10085118AA	KNOB (POSITION LEVER)	1			
11	SOLIS-26 EXCEPT FACELIFT, SONALIKA-26	10054155AB	POSITION LEVER KNOB	1		(ROHS) INTERCHANGEABLE WITH 10054155AA	
12	SOLIS-26, SONALIKA-26	20004660AB	SOCKET HEAD CAP SCREW	2			
12	SOLIS-24	20004660AC	SOCKET HEAD CAP SCREW	2			
12	SOLIS-24 EPA	20005635AA	SOCKET HEAD CAP SCREW	2			
13	SOLIS-26 EXCEPT FACELIFT, SONALIKA-26	10053697AB	STICKER POSITION LEVER	1		INTERCHANGEABLE WITH 10053697AD (ROHS)	
13	SOLIS-26 EXCEPT FACELIFT, SONALIKA-26	10053697AA	STICKER POSITION LEVER	1			

Sr.	Model	Item Code	Description	Qty	Int.	Remarks	Cut Off
13	SOLIS-24	10053697AC	STICKER POSITION LEVER	1			
13	SOLIS-26 FACELIFT, SOLIS-24 EPA	300008088A	STICKER POSITION LEVER	1			
13	SOLIS-26 FACELIFT	300008088A	STICKER POSITION LEVER	1		NEW PART ADDED FOR BOM201IA5487 JDAJUD, 201IA5675JDAJ UD, 201IA5692JDAJ UDE, 201IA5689JDAJ UD	CMKSG803835G 26
13	SOLIS-26 EXCEPT FACELIFT, SONALIKA-26	10053697AD	STICKER POSITION LEVER	1		(ROHS) INTERCHANGE ABLE WITH 10053697AB	
14	SOLIS-26,SONALIKA-26 (ALL EXPORT MODELS), SOLIS-24	10055550AB	POSITION LEVER UPPER PART	1		NEW PARTS ADDED WITH 10053426AE FROM	MEMGMKSF554 589G26
14	SOLIS-26,SONALIKA-26 (ALL EXPORT MODELS)	10056133AA	POSITION LEVER UPPER PART (BLACK PAINTED)	1		NEW PARTS ADDED WITH 10053426AE FROM	MEMGMKSF554 589G26
15	SOLIS-26,SONALIKA-26 (ALL EXPORT MODELS)	20004660AC	SOCKET HEAD CAP SCREW	4		NEW PARTS ADDED WITH 10053426AE FROM	MEMGMKSF554 589G26
15	SOLIS-24	20005635AA	SOCKET HEAD CAP SCREW 4X8 -8.8 SA4GS	4			
16	SOLIS-26,SONALIKA-26 (ALL EXPORT MODELS)	04030400006	SPRING WASHER B-6	2		NEW PARTS ADDED WITH 10053426AE FROM	MEMGMKSF554 589G26
16	SOLIS-24	20003669AC	SPRING WASHER B-6 TYPE-A IS: 3063-1972	2		INTERCHANGE ABLE WITH 20005516AA (ROHS)	
16	SOLIS-24 EPA	20005516AA	SPRING WASHER B-6 TYPE-A IS: 3063-1972	2			
16	SOLIS-24	20005516AA	SPRING WASHER B-6 TYPE A IS: 3067-1972	2	YES	(ROHS) INTERCHANGE ABLE WITH 20003669AC	
17	SOLIS-26,SONALIKA-26 (ALL EXPORT MODELS)	04030600006	PLAIN WASHER DIA 6.4 *DIA 18 *1.5	2		NEW PARTS ADDED WITH 10053426AE FROM	MEMGMKSF554 589G26
17	SOLIS-24	20003389AB	PLAIN WASHER A 6.4 IS:5370 STEEL	2			
17	SOLIS-24 EPA	20005765AA	PLAIN WASHER A 6.4 IS:5370 STEEL	2			
18	SOLIS-26,SONALIKA-26 (ALL EXPORT MODELS), SOLIS-24	10055562AA	KNOB FOR PC DC LEVER	1		NEW PARTS ADDED WITH 10053426AE FROM	MEMGMKSF554 589G26

11120A-1/1

OPERATING SECTOR ASSY

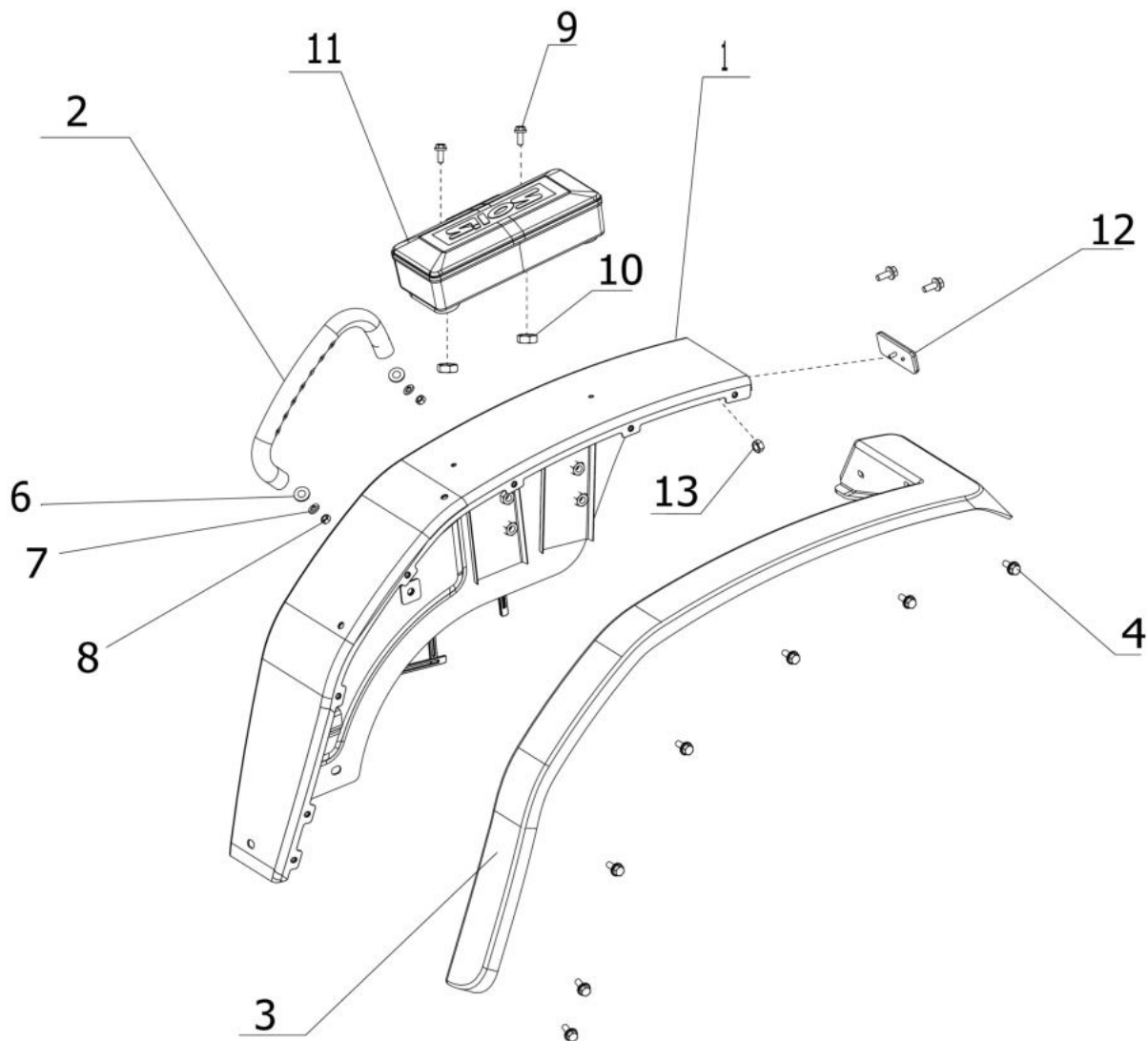


Sr.	Model	Item Code	Description	Qty	Int.	Remarks	Cut Off
1	SOLIS-26,SONALIKA-26 WITH ADDC	04030600008	PLAIN WASHER DIA 8.4 *DIA 17*1.6	1			
2	SOLIS-26,SONALIKA-26 WITH ADDC	04030400008	SPRING WASHER B-8	1		INTERCHANGEABLE WITH 20005517AA (ROHS)	
2	SOLIS-26,SONALIKA-26 WITH ADDC	20005517AA	SPRING WASHER B-8 TYPE A IS: 3067-1972	1	YES	(ROHS) INTERCHANGEABLE WITH 04030400008	
3	SOLIS-26,SONALIKA-26 WITH ADDC	10053690AA	KNOB (POSITION LEVER)	1			
4	SOLIS-26,SONALIKA-26 WITH ADDC	20004660AB	SOCKET HEAD CAP SCREW	2			
4	SOLIS-26,SONALIKA-26 WITH ADDC	20004660AC	SOCKET HEAD CAP SCREW	2			

Sr.	Model	Item Code	Description	Qty	Int.	Remarks	Cut Off
5	SOLIS-26,SONALIKA-26 WITH ADDC	10054559AA	COVER POSITION	1			
6	SOLIS-26,SONALIKA-26 WITH ADDC	10055035AA	TAB DRG. POSITION LEVER DAMPER	1			
7	SOLIS-26,SONALIKA-26 WITH ADDC	10055024AA	POSITION LEVER ASSY	1			
7	SOLIS-26,SONALIKA-26 WITH ADDC	10056646AA	POSITION LEVER ASSY PAINTED	1	NO	PAINTED	EMKST659819G 26D
7	SOLIS-26,SONALIKA-26 WITH ADDC	10055024BA	POSITION LEVER ASSY UNPAINTED	1		UNPAINTED, PAINTED CODE IS 10055024BA	
8	SOLIS-26,SONALIKA-26 WITH ADDC	10052354AC	KNOB ASSEMBLY (FOR OPERATING SECTOR)	2			
9	SOLIS-26,SONALIKA-26 WITH ADDC	20001096AA	HEX. HEAD SCREW M8 X 1.25 X 20 8-8 SA2JS	1		INTERCHANGE ABLE WITH 20005565AA (ROHS)	
9	SOLIS-26,SONALIKA-26 WITH ADDC	20005565AA	HEX HEAD SCREW M8X1.25X20 -8.8 SA4GS	1	YES	(ROHS) INTERCHANGE ABLE WITH 20001096AA	
10	SOLIS-26,SONALIKA-26 WITH ADDC	10054171AC	SHAFT ASSY	1			
10	SOLIS-26,SONALIKA-26 WITH ADDC	10056625AB	SHAFT ASSEMBLY	1	NO		EMKST659819G 26D
11	SOLIS-26,SONALIKA-26 WITH ADDC	20004379AA	HEX NUT M5-8 SA2JS	2			
12	SOLIS-26,SONALIKA-26 WITH ADDC	04010116020	SPLIT PIN DIA 1.6*20	2		INTERCHANGE ABLE WITH 20005527AA (ROHS)	
12	SOLIS-26,SONALIKA-26 WITH ADDC	20005527AA	SPLIT PIN DIA 1.6*20	2		(ROHS) INTERCHANGE ABLE WITH 04010116020	

12110A-1/1

FENDERS



Sr.	Model	Item Code	Description	Qty	Int.	Remarks	Cut Off
1	SOLIS-26,SONALIKA-26 (ALL MODELS WITH ROPS)	10053348AG	FENDER ASSY RH (BLUE)	1		WITH ROPS MODELS	
1	SOLIS-26,SONALIKA-26 (ALL MODELS WITH ROPS)	10053348AI	FENDER ASSY RH (BLUE)	1		WITH ROPS MODELS	
1	SOLIS-26 (ALL EXPORT MODELS ONLY WITH ROPS)	10053348AJ	FENDER ASSY RH (BLUE)	1	YES	WITH ROPS MODELS	MEMGMKSF554 589G26
1	SOLIS-26,SONALIKA-26 (ALL MODELS WITH ROPS)	10053349AI	FENDER ASSY RH (RED)	1		WITH ROPS MODELS	
1	SOLIS-26 (ALL EXPORT MODELS ONLY WITH ROPS)	10053349AJ	FENDER ASSY RH (RED)	1	YES	WITH ROPS MODELS	MEMGMKSF554 589G26
1	SOLIS-26,SONALIKA-26 (ALL MODELS WITH ROPS)	10053347AG	FENDER ASSY RH W/O PAINT	1		WITH ROPS MODELS	

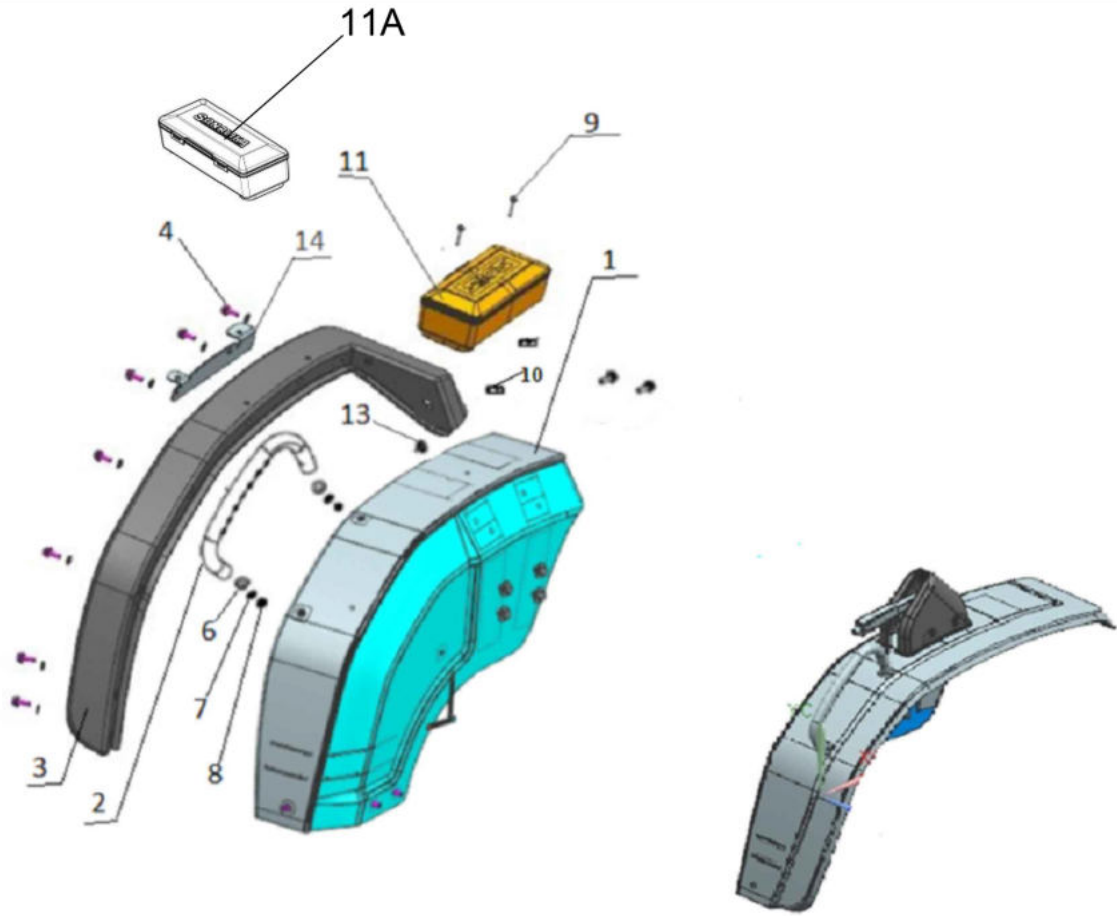
Sr.	Model	Item Code	Description	Qty	Int.	Remarks	Cut Off
1	SOLIS-26,SONALIKA-26 (ALL MODELS WITH ROPS)	10053347AI	FENDER ASSY RH W/O PAINT	1		WITH ROPS MODELS	
1	SOLIS-26 (ALL EXPORT MODELS ONLY WITH ROPS)	10053347AJ	FENDER ASSY RH (W/O PAINT) G.T- 26	1	YES	WITH ROPS MODELS	MEMGMKSF554 589G26
1	SOLIS-26,SONALIKA-26 (ALL MODELS WITH ROPS)	10053351AG	FENDER ASSY LH (BLUE)	1		WITH ROPS MODELS	
1	SOLIS-26,SONALIKA-26 (ALL MODELS WITH ROPS)	10053351AI	FENDER ASSY LH (BLUE)	1		WITH ROPS MODELS	
1	SOLIS-26 (ALL EXPORT MODELS ONLY WITH ROPS)	10053351AK	FENDER ASSY LH (BLUE)	1	YES	WITH ROPS MODELS	MEMGMKSF554 589G26
1	SOLIS-24	10055964AB	FENDER ASSEMBLY RH (BLUEPAINT)	1			
1	SOLIS-24	10055962AB	FENDER ASSEMBLY RH (WITHOUT PAINT)	1			
1	SOLIS-24	10055968AB	FENDERASSEMBLYLH(BLUEPAINT)	1			
1	SOLIS-24	10055966AB	FENDER ASSEMBLY LH (WITHOUT PAINT)	1			
1	SOLIS-26,SONALIKA-26 (ALL MODELS WITH ROPS)	10053352AI	FENDER ASSY LH (RED)	1		WITH ROPS MODELS	
1	SOLIS-26 (ALL EXPORT MODELS ONLY WITH ROPS)	10053352AK	FENDER ASSY LH (RED)	1	YES	WITH ROPS MODELS	MEMGMKSF554 589G26
1	SOLIS-26,SONALIKA-26 (ALL MODELS WITH ROPS)	10053350AG	FENDER ASSY LH W/O PAINT	1		WITH ROPS MODELS	
1	SOLIS-26,SONALIKA-26 (ALL MODELS WITH ROPS)	10053350AI	FENDER ASSY LH W/O PAINT	1		WITH ROPS MODELS	
1	SOLIS-26 (ALL EXPORT MODELS ONLY WITH ROPS)	10053350AK	FENDER ASSY LH W/O PAINT G.T-26	1	YES	WITH ROPS MODELS	MEMGMKSF554 589G26
1	SOLIS-26,SONALIKA-26 (ALL MODELS WITHOUT ROPS)	10053854AC	FENDER ASSY RH. (GT-26HP DOMESTIC) (BLU	1		WITHOUT ROPS MODELS	
1	SOLIS-26,SONALIKA-26 (ALL MODELS WITHOUT ROPS)	10053857AC	FENDER ASSY LH. (GT-26HP DOMESTIC) (BLU	1		WITHOUT ROPS MODELS	
1	SOLIS-26,SONALIKA-26 (ALL MODELS WITHOUT ROPS)	10053853AC	FENDER ASSY RH. (GT-26HP DOMESTIC) (W/O	1		WITHOUT ROPS MODELS	
1	SOLIS-26,SONALIKA-26 (ALL MODELS WITHOUT ROPS)	10053856AC	FENDER ASSY LH. (GT-26HP DOMESTIC) (W/O	1		WITHOUT ROPS MODELS	
2	SOLIS-26, SONALIKA-26	10053715AB	FENDER HANDLE	2			
2	SOLIS-26, SONALIKA-26	10053715AE	FENDER HANDLE	2			
2	SOLIS-24	10053715AF	FENDER HANDLE	2			
3	SOLIS-26, SONALIKA-26	10053511AB	FENDER SIDE FLAP-LH	1			
3	SOLIS-24	10053511AC	FENDER SIDE FLAP-LH	1			
3	SOLIS-26, SONALIKA-26	10053512AB	FENDER SIDE FLAP-RH	1			
3	SOLIS-24	10053512AC	FENDER SIDE FLAP-RH	1			
4	SOLIS-26, SONALIKA-26	20003519AA	HEX FLANGE SCREW M8*1.25*20-8.8 SA2JS	18		INTERCHANGE ABLE WITH 20005539AA	

Sr.	Model	Item Code	Description	Qty	Int.	Remarks	Cut Off
						(ROHS)	
4	SOLIS-24	20003519AA	HEX FLANGE SCREW M8*1.25*20-8.8 SA2JS	18		INTERCHANGEABLE WITH 20005539AA (ROHS)	
4	SOLIS-26, SONALIKA-26	20005539AA	HEX FLANGE SCREW M8*1.25*20-8.8 SA4GS	18	YES	(ROHS) INTERCHANGEABLE WITH 20003519AA	
4	SOLIS-24	20005539AA	HEX FLANGE SCREW M8*1.25*20-8.8 SA4GS	18	YES	(ROHS) INTERCHANGEABLE WITH 20003519AA	
6	SOLIS-26, SONALIKA-26	04030800010	M/CD WASHER DIA 10.5 *DIA 21*2	4			
6	SOLIS-24	20000100AA	M/CD WASHER 10.5*21*2	4		INTERCHANGEABLE WITH 20005625AA (ROHS)	
6	SOLIS-24	20005625AA	M/CD WASHER 10.5*21*2	4	YES	(ROHS) INTERCHANGEABLE WITH 20000100AA	
7	SOLIS-26, SONALIKA-26	04030400010	SPRING WASHER B-10	4			
7	SOLIS-24	20003671AC	SPRING WASHER B-10 TYPE-A IS: 3063-1972	4		INTERCHANGEABLE WITH 20005518AA (ROHS)	
7	SOLIS-24	20005518AA	SPRING WASHER B-10 TYPE A IS: 3067-1972	4	YES	(ROHS) INTERCHANGEABLE WITH 20003671AC	
8	SOLIS-26, SONALIKA-26	20003357AB	HEX NUT M10 -8 SA2JS	4			
8	SOLIS-24	20003357AD	HEX NUT M10 -8 SA4JS	4		INTERCHANGEABLE WITH 20003357AF (ROHS)	
8	SOLIS-24	20003357AF	HEX NUT M10 -8 SA4GS	4		(ROHS) INTERCHANGEABLE WITH 20003357AD	
9	SOLIS-26, SONALIKA-26	20003518AA	HEX FLANGE SCREW M6*1*20-8.8 SA2JS	2		INTERCHANGEABLE WITH 20005541AA (ROHS)	
9	SOLIS-24	20003518AB	HEX FLANGE SCREW M6*1*20-8.8 SA4JS	2			
9	SOLIS-26, SONALIKA-26	20005541AA	HEX FLANGE SCREW M6*1*20 -8.8 SA4GS	2	YES	(ROHS) INTERCHANGEABLE WITH 20003518AA	
10	SOLIS-26, SONALIKA-26, SOLIS-24	20003354AB	HEX NUT M6 -8 SA2JS	2			
11	SOLIS-26, SONALIKA-26	10052757AB	TOOL BOX ASSY GT EEC	1		TOOL BOX MTG. ON FENDER	
11	SOLIS-26 EXCEPT GT-26 (ALGERIA)	10052757AC	TOOL BOX ASSY GT EEC	1	YES	TOOL BOX MTG. ON FENDER	MEMHMGSU503142G
11	SOLIS-24	10052757AD	TOOL BOX ASSY GT EEC	1			
11	SONALIKA-26	10053941AB	TOOL BOX FOR DOMESTIC MODELS	1		TOOL BOX MTG. ON	

Sr.	Model	Item Code	Description	Qty	Int.	Remarks	Cut Off
						FENDER	
12	SOLIS-26, SONALIKA-26	10029161AA	REFLEX REFLECTOR	2		INTERCHANGEABLE WITH 10056131AA (ROHS)	
12	SOLIS-24	10056131AA	REFLEX REFLECTOR (RED)	2			
12	SOLIS-26, SONALIKA-26	10056131AA	REFLEX REFLECTOR (RED)	2	YES	(ROHS) INTERCHANGEABLE WITH 10029161AA	
13	SOLIS-26,SONALIKA-26, SOLIS-24	20003353AA	HEX NUT M5-8 SA3NS	2		INTERCHANGEABLE WITH 300028453A (ROHS)	
13	SOLIS-26,SONALIKA-26, SOLIS-24	300028453A	HEX NUT M5-8 SA2JS	2		(ROHS) INTERCHANGEABLE WITH 20003353AA	

12111A-1/1

FENDERS

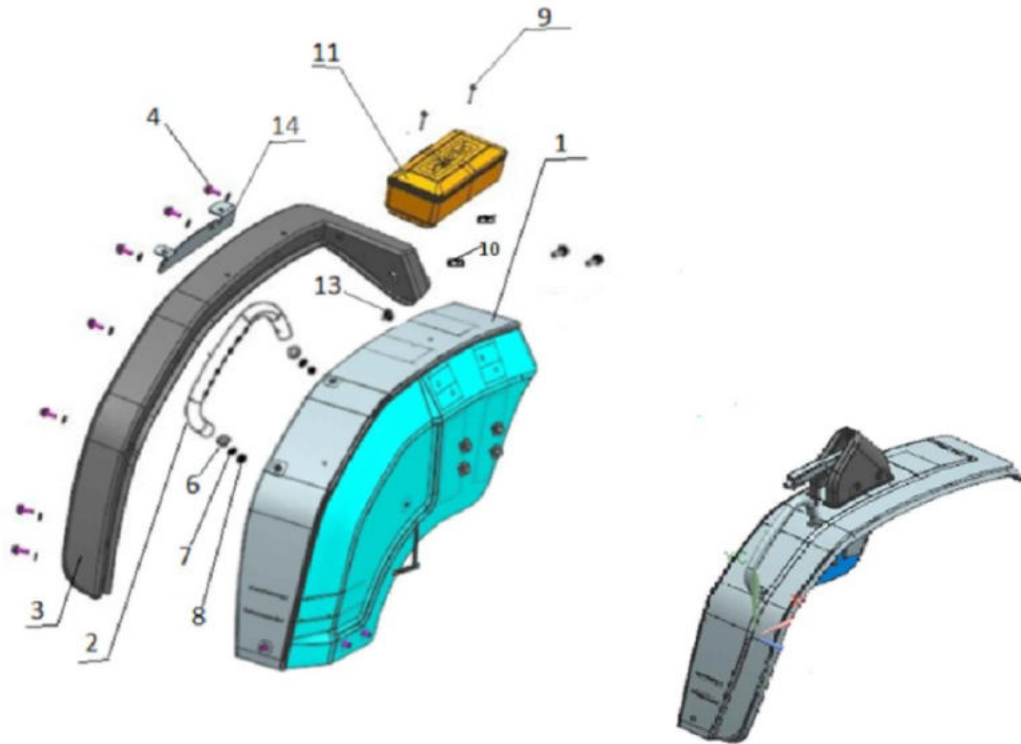


Sr.	Model	Item Code	Description	Qty	Int.	Remarks	Cut Off
1	ALL MODELS	10053348AJ	FENDER ASSY RH (BLUE)	1			
1	ALL MODELS	300023144C	FENDER ASSY LH (BLUE)	1			
1	SONALIKA-26 FACELIFT	10053350AK	FENDER ASSY LH W/O PAINT G.T-26	1			
1	SONALIKA-26 FACELIFT	10053351AK	FENDER ASSY RH (BLUE)	1			
2	ALL MODELS	10053715AE	FENDER HANDLE	2			
3	ALL MODELS	10053511AB	FENDER SIDE FLAP-LH	1			
3	ALL MODELS	300028294A	FENDER SIDE FLAP-RH	1			
4	ALL MODELS	20003286AB	HEX. FLANGED SCREW M8X1.25X35	9			

Sr.	Model	Item Code	Description	Qty	Int.	Remarks	Cut Off
6	ALL MODELS	20000100AA	M/CD WASHER 10.5*21*2	4		INTERCHANGEABLE WITH 20005625AA (ROHS)	
6	ALL MODELS	20005625AA	M/CD WASHER 10.5*21*2	4	YES	(ROHS) INTERCHANGEABLE WITH 20000100AA	
7	ALL MODELS	04030400010	SPRING WASHER B-10	4			
8	ALL MODELS	20003357AB	HEX NUT M10 -8 SA2JS	4			
8	SONALIKA-26 FACELIFT	20003357AF	HEX NUT M10 -8 SA4GS	4			
9	ALL MODELS	20005117AA	HEX SCREW M6X35 8-8 SA3NS	2			
9	SONALIKA-26 FACELIFT	04040106030	HEX SCREW M6*30	2			
10	ALL MODELS	20003354AB	HEX NUT M6 -8 SA2JS	2			
11	ALL MODELS	10052757AC	TOOL BOX ASSY GT EEC	1			
11A	SONALIKA-26 FACELIFT	10053941AB	TOOL BOX FOR DOMESTIC MODELS	1			
13	ALL MODELS	20003353AA	HEX NUT M5-8 SA3NS	2		INTERCHANGEABLE WITH 300028453A (ROHS)	
13	ALL MODELS	300028453A	HEX NUT M5-8 SA2JS	2		(ROHS) INTERCHANGEABLE WITH 20003353AA	
14	ALL MODELS	300028191A	TOOL BOX MTG BRACKET	1			

12112A-1/1

FENDERS

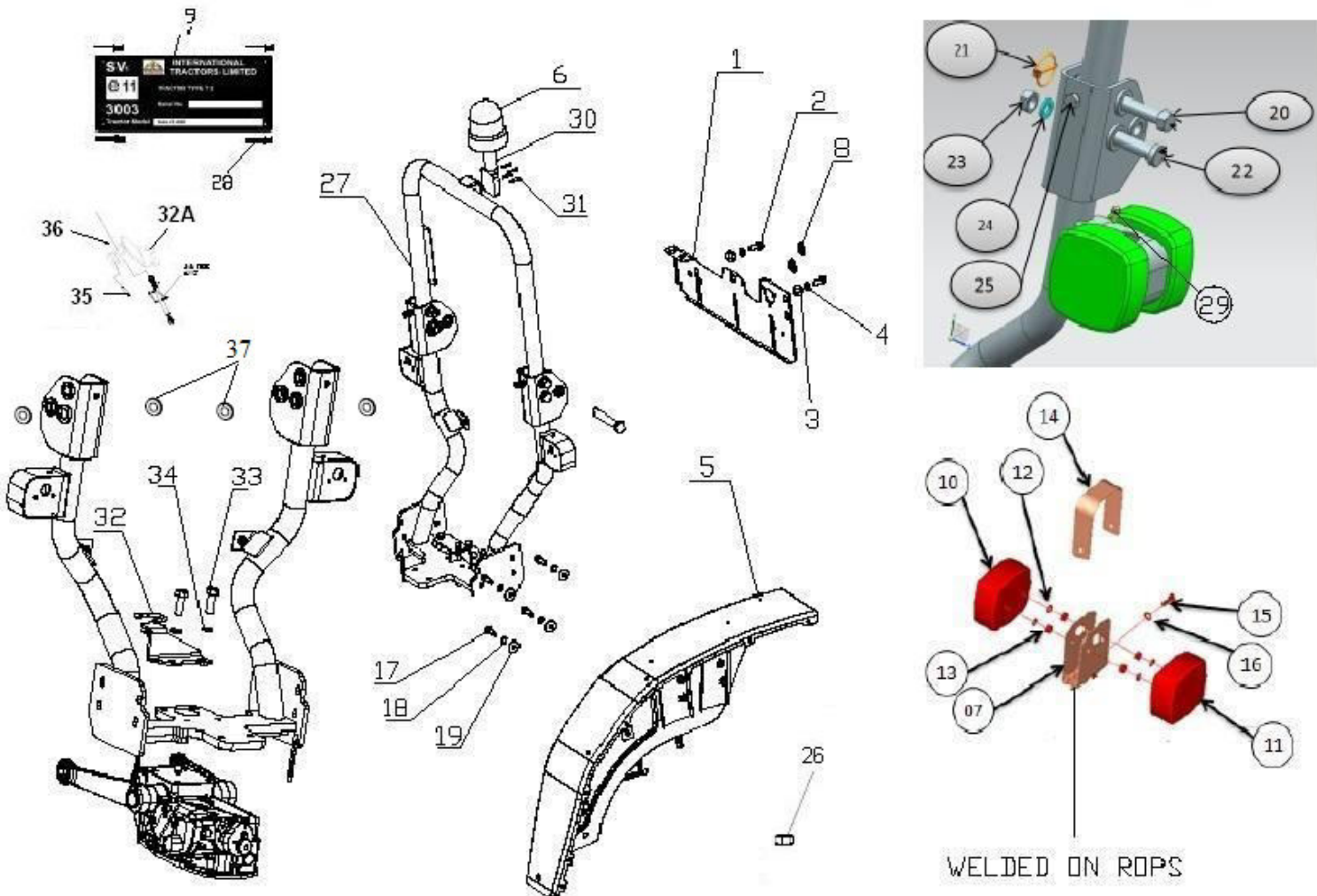


Sr.	Model	Item Code	Description	Qty	Int.	Remarks	Cut Off
1	ALL MODELS	10055965AB	FENDER ASSY RH (RED)	1			
1	ALL MODELS	10055969BB	FENDER ASSY LH (RED)	1			
2	ALL MODELS	10053715AF	FENDER HANDLE	2			
3	ALL MODELS	10053511AB	FENDER SIDE FLAP-LH	1			
3	ALL MODELS	300028294A	FENDER SIDE FLAP-RH	1			
4	ALL MODELS	20005539AA	HEX FLANGE SCREW M8*1.25*20 -8.8 SA4GS	9			
6	ALL MODELS	20005625AA	M/CD WASHER 10.5*21*2	4			
7	ALL MODELS	20005518AA	SPRING WASHER B-10 TYPE A IS: 3067-1972	4			

Sr.	Model	Item Code	Description	Qty	Int.	Remarks	Cut Off
8	ALL MODELS	20005503AA	HEX NUT M10 -8 SA4GS	4			
9	ALL MODELS	20005117AA	HEX SCREW M6X35 8-8 SA3NS	2			
10	ALL MODELS	20005491AA	HEX NUT M6 -8 SA4GS	2			
11	ALL MODELS	10052757AD	TOOL BOX ASSY GT EEC	1			
13	ALL MODELS	20003353AA	HEX NUT M5-8 SA3NS	2		INTERCHANGE ABLE WITH 300028453A (ROHS)	
13	ALL MODELS	300028453A	HEX NUT M5-8 SA2JS	2		(ROHS) INTERCHANGE ABLE WITH 20003353AA	
14	ALL MODELS	300028191A	TOOL BOX MTG BRACKET	1			

12120A-1/2

FENDER & ROLL OVER PROTECTION



Sr.	Model	Item Code	Description	Qty	Int.	Remarks	Cut Off
1	SOLIS-26,SONALIKA-26	10053712AC	REGISTRATION PLATE W/O PAINT	1			
1	SOLIS-26,SONALIKA-26	10053712AD	REGISTRATION PLATE W/O PAINT	1			
1	SOLIS-26,SONALIKA-26	10053713AC	REGISTRATION PLATE BLACK PAINT	1			
1	SOLIS-26,SONALIKA-26	10053713AD	REGISTRATION PLATE BLACK PAINT	1			
2	SOLIS-26,SONALIKA-26	20002015AB	HEX HEAD SCREW M10X1.5X25 8-8 SA2JS	2			
3	SOLIS-26,SONALIKA-26	04030800010	MCD WASHER DIA 10.5*DIA21*2	2			
4	SOLIS-26,SONALIKA-26	04030400010	SPRING WASHER B-10	2			
5	SOLIS-26,SONALIKA-26	-	FENDER ASSY.	1			

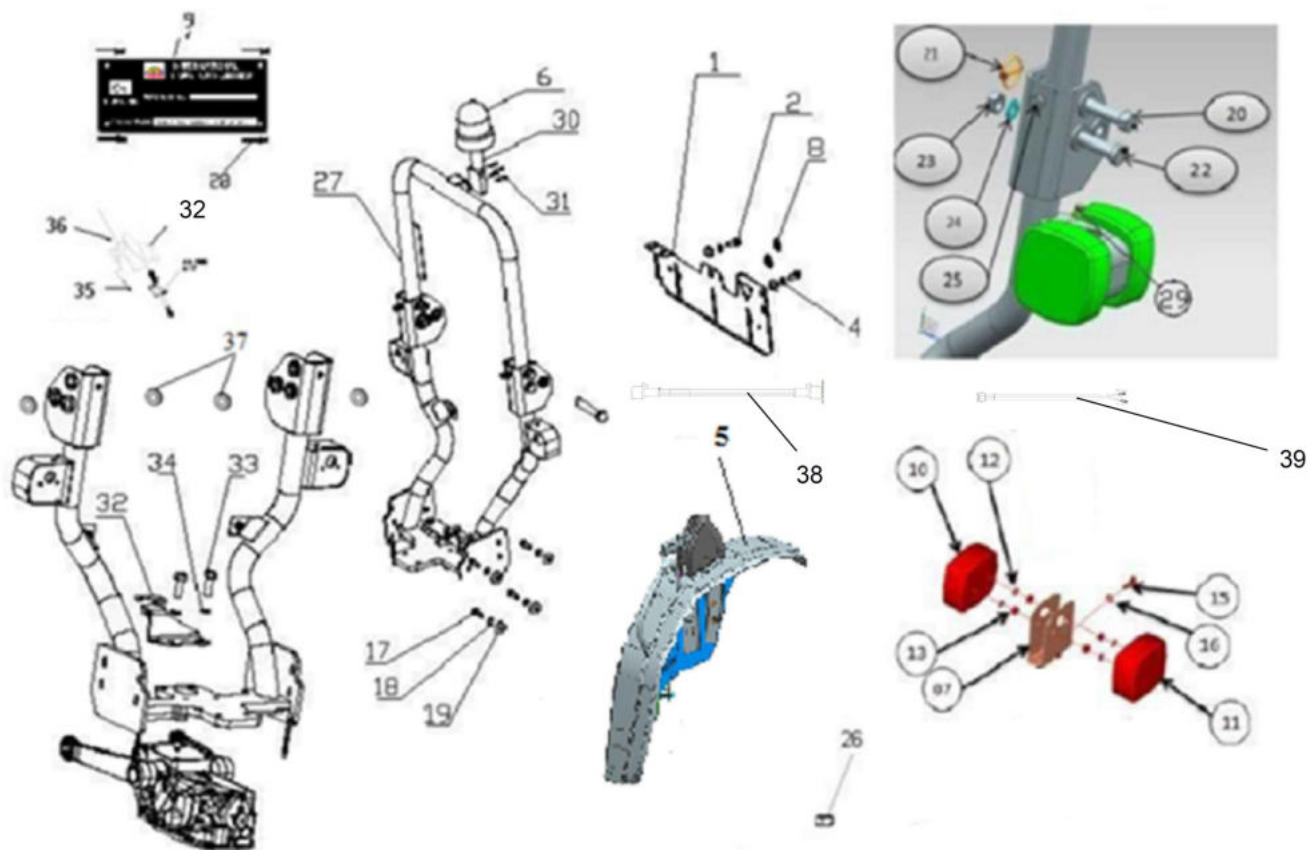
Sr.	Model	Item Code	Description	Qty	Int.	Remarks	Cut Off
6	SOLIS-26,SONALIKA-26	10053765AA	REVOLVING LIGHT	1			
6	SOLIS-26,SONALIKA-26	10054276AA	REVOLVING LIGHT (DETACHABLE REVOLVING LI	1			
7	SOLIS-26,SONALIKA-26	-	TAIL LAMP BKT ASSY	2		CHILD PART OF ROPS ASSY	
8	SOLIS-26,SONALIKA-26	10053869AA	GROMMET (FOR HOLE DIA12)	2		INTERCHANGEABLE WITH 10053869AB (ROHS)	
8	SOLIS-26,SONALIKA-26	10053869AB	GROMMET (FOR HOLE DIA12)	2	YES	(ROHS) INTERCHANGEABLE WITH 10053869AA	
9	SOLIS-26,SONALIKA-26	10052926AB	ROPS DATA PLATE	1			
9	SOLIS-26,SONALIKA-26	10052926AC	ROPS DATA PLATE	1			
9	SOLIS-26,SONALIKA-26	10054197AA	ROPS DATA PLATE	1			
9	SOLIS-26,SONALIKA-26 EXCEPT NEPAL,SUDAN, MACEDONIA	10054197AC	ROPS DATA PLATE	1	YES		MEMBMKST620097G26
10	SOLIS-26,SONALIKA-26	10053747AA	FENDER TAIL LAMP ASSY	2		INTERCHANGEABLE WITH 10053747AC (ROHS)	
10	SOLIS-26,SONALIKA-26	10053747AB	FENDER TAIL LAMP ASSY	2	YES		FMGSU495625G
10	SOLIS-26,SONALIKA-26	10053747AC	FENDER TAIL LAMP ASSY	2		(ROHS) INTERCHANGEABLE WITH 10053747AA	
11	SOLIS-26,SONALIKA-26	10053748AA	FENDER FRONT LAMP ASSY	2			
11	SOLIS-26,SONALIKA-26	10053748AB	FENDER FRONT LAMP ASSY	2	YES		FMGSU495625G
12	SOLIS-26,SONALIKA-26	04030400006	SPRING WASHER B-6	8			
13	SOLIS-26,SONALIKA-26	20003354AB	HEX NUT M6 -8 SA2JS	8			
14	SOLIS-26,SONALIKA-26	10051597AB	TAIL LAMP BKT COVER	2			
15	SOLIS-26,SONALIKA-26	04042905030	SLOTTED CHEESE HD SCREW M5*30	2		INTERCHANGEABLE WITH 200000385A (ROHS)	
15	SOLIS-26,SONALIKA-26	200000385A	SLOTTED CHEASE HEAD SCREW M5*30	2		(ROHS) INTERCHANGEABLE WITH 04042905030	
16	SOLIS-26,SONALIKA-26	04030600005	PLAIN WASHER DIA 5.3 *DIA 15*1.5	2		INTERCHANGEABLE WITH 300032712A (ROHS)	
16	SOLIS-26,SONALIKA-26	300032712A	WASHER	2		(ROHS) INTERCHANGEABLE WITH 04030600005	
17	SOLIS-26,SONALIKA-26	20002016AB	HEX. HEAD SCREW M10 X 1.5 X 30 8-8 SA2JS	8			
18	SOLIS-26,SONALIKA-26	04030400010	SPRING WASHER B-10	8			
19	SOLIS-26,SONALIKA-26	04030600010	PLAIN WASHER DIA 10.5 *DIA 30 *2.5	8			

Sr.	Model	Item Code	Description	Qty	Int.	Remarks	Cut Off
20	SOLIS-26,SONALIKA-26	10051215AA	PIN FOR TOP LINK ASSY	2			
21	SOLIS-26,SONALIKA-26	10080109AB	LINCH PIN ASSY.(Ø7)	2		INTERCHANGEABLE WITH 10087923AA (ROHS)	
21	SOLIS-26,SONALIKA-26	10087923AA	LINCH PIN ASSY.(Ø7)	2	YES	(ROHS) INTERCHANGEABLE WITH 10080109AB	
22	SOLIS-26,SONALIKA-26	20003921AA	HEX BOLT M18*2.5*110- 10.9 SA2JS	2		INTERCHANGEABLE WITH 20005545AA (ROHS)	
22	SOLIS-26,SONALIKA-26	20005545AA	HEX BOLT M18*2.5*110 -10.9 SA4GS	2	YES	(ROHS) INTERCHANGEABLE WITH 20003921AA	
23	SOLIS-26,SONALIKA-26	20004489AA	HEX NUT M18X2.5 - 8 SA2JS	2		INTERCHANGEABLE WITH 20005506AA (ROHS)	
23	SOLIS-26,SONALIKA-26	20005506AA	HEX NUT M18X2.5 -8 SA4GS	2	YES	(ROHS) INTERCHANGEABLE WITH 20004489AA	
24	SOLIS-26,SONALIKA-26	04030400018	SPRING WASHER B-18	4		INTERCHANGEABLE WITH 20005522AA (ROHS)	
24	SOLIS-26,SONALIKA-26	20005522AA	SPRING WASHER B-18 TYPE A IS: 3067-1972	4		(ROHS) INTERCHANGEABLE WITH 04030400018	
25	SOLIS-26,SONALIKA-26	20003230AA	HEX BOLT M10*1.5*40 8-8 SA3NS	2			
26	SOLIS-26,SONALIKA-26	20003357AB	HEX NUT M10 -8 SA2JS	2		WITH S.NO.25	
27	SOLIS-26,SONALIKA-26	10053716AA	ROLL OVER PROTECTION STRUCTURE ASSY(ROPS	1			
27	SOLIS-26,SONALIKA-26	10053716BA	ROLL OVER PROTECTION STRUCTURE ASSY(ROPS	1			
27	SOLIS-26 (ALL EXPORT MODELS ONLY WITH ROPS)	10053716BB	ROLL OVER PROTECTION STRUCTURE ASSY(ROPS	1	YES		MEMGMKSF554589G26
27	SOLIS-26 WITH MITA LIFT WITHOUT TIPPING TRAILER	10053716CA	ROLL OVER PROTECTION STRUCTURE ASSY	1	NO		MEMGMGST639247G
27	SOLIS-26 (BOM CODE: 201IA5238JDAJUD	10053716CA	ROLL OVER PROTECTION STRUCTURE ASSY	1			
27	SOLIS-26 (BOM CODE: 201IA5238JDAJUD	300006931A	ROPS (SOLIS-26 HP)	1	YES		DMKST677389G26
28	SOLIS-26,SONALIKA-26	10000636AA	RIVET DIA 3 (POP)	4			
29	SOLIS-26,SONALIKA-26	20004659AA	TRUSS PHILIPS M/C SCREW(M5X20)	2			
30	SOLIS-26,SONALIKA-26	10054277AA	MOUNTING BRACKET(DETACHABLE REVOLVING L	1			
31	SOLIS-26,SONALIKA-26	20002827AA	SLOTTED CHEESE HEAD SCREW (M4*20)	4		INTERCHANGEABLE WITH 20005684AA (ROHS)	
31	SOLIS-26,SONALIKA-26	20005684AA	SLOTTED CHEESE HEAD SCREW M4*20	4		(ROHS) INTERCHANGEABLE WITH 20002827AA	

Sr.	Model	Item Code	Description	Qty	Int.	Remarks	Cut Off
32A	SOLIS-26 WITH 1DA, SONALIKA-26 WITH 1DA	10056463AA	TOP LINK HOLDING BKT	1	NO		MEMGMGSF554 104G
32	SOLIS-26,SONALIKA-26	10053956AB	TOP LINK HOLDER ASSY FOR GT 26	1			
33	SOLIS-26,SONALIKA-26	20003246AB	HEX SCREW M14*30	2			
34	SOLIS-26,SONALIKA-26	04030400014	SPRING WASHER B-14	2		INTERCHANGE ABLE WITH 20005520AA (ROHS)	
34	SOLIS-26,SONALIKA-26	20005520AA	SPRING WASHER B-14 TYPE A IS: 3067-1972	2		(ROHS) INTERCHANGE ABLE WITH 04030400014	
35	SOLIS-26 WITH 1DA, SONALIKA-26 WITH 1DA	10051270AA	BUSH PIN FOR REAR TOE HOOK	1		NEW PART ADDED WITH 10056463AA FROM	MEMGMGSF554 104G
35	SOLIS-26 WITH 1DA, SONALIKA-26 WITH 1DA	10057672AA	PIN FOR BUSH FOR ACCLERATOR	1	YES	(ROHS) INTERCHANGE ABLE WITH 10051270AA	
36	SOLIS-26 WITH 1DA, SONALIKA-26 WITH 1DA	20002461AA	BEATA PIN	1		NEW PART ADDED WITH 10056463AA FROM	MEMGMGSF554 104G
36	SOLIS-26 WITH 1DA, SONALIKA-26 WITH 1DA	10087903AA	BEATA PIN	1	YES	(ROHS) INTERCHANGE ABLE WITH 20002461AA	
37	SOLIS-26,SONALIKA-26	04030700019	PUNCHED WASHER DIA 19.5 *DIA 33 *3	4		INTERCHANGE ABLE WITH 20005455AA (ROHS)	
37	SOLIS-26,SONALIKA-26	10087869AA	NYLON WASHER	2	YES		MEMBMKST620 097G26
37	SOLIS-26,SONALIKA-26	20005455AA	PUNCHED WASHER A (20) IS:2016 STEEL	4		(ROHS) INTERCHANGE ABLE WITH 04030700019	

12121A-1/2

FENDER & ROLL OVER PROTECTION



Sr.	Model	Item Code	Description	Qty	Int.	Remarks	Cut Off
1	ALL MODELS	10053712AE	REGISTRATION PLATE W/O PAINT	1			
2	ALL MODELS	20002015AB	HEX HEAD SCREW M10X1.5X25 8-8 SA2JS	2			
4	ALL MODELS	04030400010	SPRING WASHER B-10	2			
5	ALL MODELS	-	FENDER ASSY.	1			
6	ALL MODELS	10054276AA	REVOLVING LIGHT (DETACHABLE REVOLVING LI	1			
6	SONALIKA-26 FACELIFT	10057344AA	REVOLVING LIGHT	1			
7	ALL MODELS	-	TAIL LAMP BKT ASSY	2			
8	ALL MODELS	10053869AA	GROMMET (FOR HOLE DIA12)	2		INTERCHANGEABLE WITH 10053869AB	

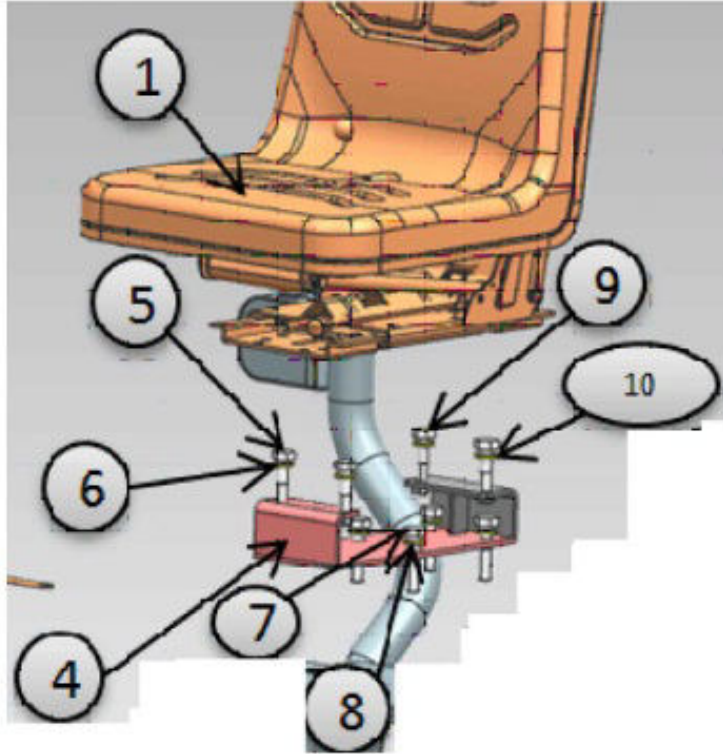
Sr.	Model	Item Code	Description	Qty	Int.	Remarks	Cut Off
						(ROHS)	
8	ALL MODELS	10053869AB	GROMMET (FOR HOLE DIA12)	2	YES	(ROHS) INTERCHANGE ABLE WITH 10053869AA	
9	ALL MODELS	300012133A	ROPS DATA PLATE	1			
9	SOLIS-26 FACELIFT EUROP	300108108A	ROPS DATA PLATE	1	YES	FOR STAGE V ENGINE	MEMRMKSNSB KH03782
9	SONALIKA-26 FACELIFT	10054197AC	ROPS DATA PLATE	1			
10	ALL MODELS	10056758AA	FENDER TAIL LAMP ASSEMBLY	2		INTERCHANGE ABLE WITH 10056758AB (ROHS)	
10	ALL MODELS	10056758AB	FENDER TAIL LAMP ASSEMBLY	2		(ROHS) INTERCHANGE ABLE WITH 10056758AA	
11	ALL MODELS	10056759AA	FENDER FRONT LAMP ASSY	2		INTERCHANGE ABLE WITH 10056759AB (ROHS)	
11	ALL MODELS	10056759AB	FENDER FRONT LAMP ASSEMBLY	2		(ROHS) INTERCHANGE ABLE WITH 10056759AA	
12	ALL MODELS	04030400006	SPRING WASHER B-6	8			
13	ALL MODELS	20003354AB	HEX NUT M6 -8 SA2JS	8			
15	ALL MODELS	04042905030	SLOTTED CHEESE HD SCREW M5*30	2		INTERCHANGE ABLE WITH 200000385A (ROHS)	
15	ALL MODELS	200000385A	SLOTTED CHEESE HEAD SCREW M5*30	2		(ROHS) INTERCHANGE ABLE WITH 04042905030	
16	ALL MODELS	04030600005	PLAIN WASHER DIA 5.3 *DIA 15*1.5	2		INTERCHANGE ABLE WITH 300032712A (ROHS)	
16	ALL MODELS	300032712A	WASHER	2		(ROHS) INTERCHANGE ABLE WITH 04030600005	
17	ALL MODELS	20002016AB	HEX. HEAD SCREW M10 X 1.5 X 30 8-8 SA2JS	8			
18	ALL MODELS	04030400010	SPRING WASHER B-10	8			
19	ALL MODELS	04030600010	PLAIN WASHER DIA 10.5 *DIA 30 *2. 5	8			
20	ALL MODELS	10053509AC	PIN FOR TOP LINK	2		INTERCHANGE ABLE WITH 10057679AA (ROHS)	
20	ALL MODELS	10057679AA	PIN FOR TOP LINK	2		(ROHS) INTERCHANGE ABLE WITH 10053509AC	
21	ALL MODELS	10080109AB	LINCH PIN ASSY.(Ø7)	2		INTERCHANGE ABLE WITH 10087923AA (ROHS)	

Sr.	Model	Item Code	Description	Qty	Int.	Remarks	Cut Off
21	ALL MODELS	10087923AA	LINCH PIN ASSY.(Ø7)	2	YES	(ROHS) INTERCHANGE ABLE WITH 10080109AB	
22	ALL MODELS	20003921AA	HEX BOLT M18*2.5*110- 10.9 SA2JS	2		INTERCHANGE ABLE WITH 20005545AA (ROHS)	
22	ALL MODELS	20005545AA	HEX BOLT M18*2.5*110 -10.9 SA4GS	2	YES	(ROHS) INTERCHANGE ABLE WITH 20003921AA	
23	ALL MODELS	20004489AA	HEX NUT M18X2.5 - 8 SA2JS	2		INTERCHANGE ABLE WITH 20005506AA (ROHS)	
23	ALL MODELS	20005506AA	HEX NUT M18X2.5 -8 SA4GS	2	YES	(ROHS) INTERCHANGE ABLE WITH 20004489AA	
24	ALL MODELS	04030400018	SPRING WASHER B-18	4		INTERCHANGE ABLE WITH 20005522AA (ROHS)	
24	ALL MODELS	20005522AA	SPRING WASHER B-18 TYPE A IS: 3067-1972	4		(ROHS) INTERCHANGE ABLE WITH 04030400018	
25	ALL MODELS	20003230AA	HEX BOLT M10*1.5*40 8-8 SA3NS	2			
26	ALL MODELS	20003357AB	HEX NUT M10 -8 SA2JS	2			
26	SONALIKA-26 FACELIFT	20003357AF	HEX NUT M10 -8 SA4GS	2			
27	ALL MODELS	10053716CB	ROLL OVER PROTECTION STRUCTURE ASSY	1			
28	ALL MODELS	10000636AA	RIVET DIA 3 (POP)	4			
29	ALL MODELS	20004659AA	TRUSS PHILIPS M/C SCREW(M5X20)	2			
30	ALL MODELS	10054277AA	MOUNTING BRACKET(DETACHABLE REVOLVING L	1			
30	SONALIKA-26 FACELIFT	10057345AA	BRACKET FOR REVOLVING LIGHT	1			
31	ALL MODELS	20002827AA	SLOTTED CHEESE HEAD SCREW (M4*20)	4		INTERCHANGE ABLE WITH 20005684AA (ROHS)	
31	ALL MODELS	20005684AA	SLOTTED CHEESE HEAD SCREW M4*20	4		(ROHS) INTERCHANGE ABLE WITH 20002827AA	
32	ALL MODELS	10056463AA	TOP LINK HOLDING BKT	1			
33	ALL MODELS	20003246AB	HEX SCREW M14*30	2			
34	ALL MODELS	04030400014	SPRING WASHER B-14	2		INTERCHANGE ABLE WITH 20005520AA (ROHS)	
34	ALL MODELS	20005520AA	SPRING WASHER B-14 TYPE A IS: 3067-1972	2		(ROHS) INTERCHANGE ABLE WITH 04030400014	
35	ALL MODELS	10051270AA	BUSH PIN FOR REAR TOE HOOK	1		INTERCHANGE ABLE WITH	

Sr.	Model	Item Code	Description	Qty	Int.	Remarks	Cut Off
						10057672AA (ROHS)	
35	ALL MODELS	10057672AA	PIN FOR BUSH FOR ACCLERATOR	1	YES	(ROHS) INTERCHANGE ABLE WITH 10051270AA	
36	ALL MODELS	20002461AA	BEATA PIN	1		INTERCHANGE ABLE WITH 10087903AA (ROHS)	
36	ALL MODELS	10087903AA	BEATA PIN	1	YES	(ROHS) INTERCHANGE ABLE WITH 20002461AA	
37	ALL MODELS	10087869AA	NYLON WASHER	2			
38	SONALIKA-26 FACELIFT	300009691A	ROPS HARNESS	1			
39	SONALIKA-26 FACELIFT	300009603A	REVOLVING LIGHT HARNESS	1			

12130A-1/1

DRIVER SEAT

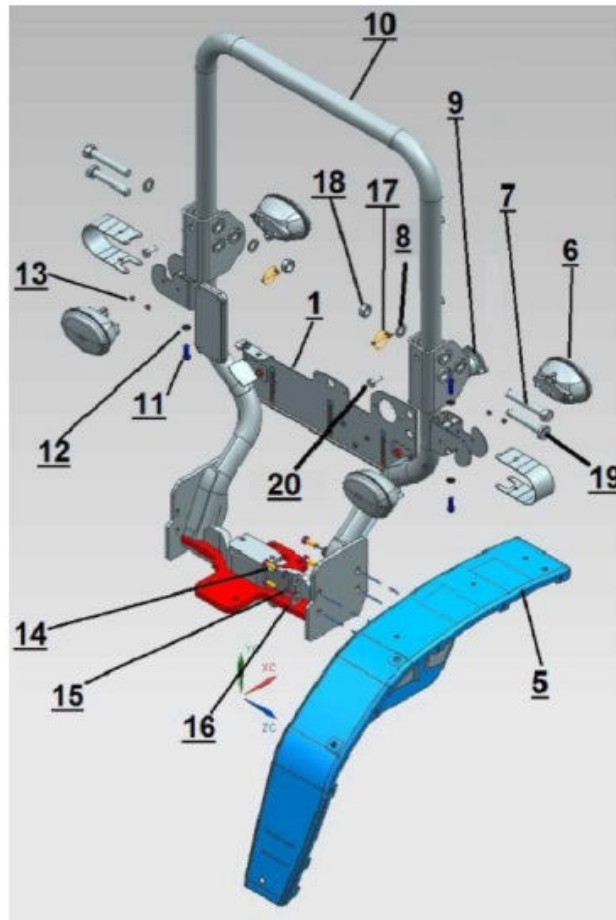


Sr.	Model	Item Code	Description	Qty	Int.	Remarks	Cut Off
1	SOLIS-26 EXCEPT FACELIFT,SONALIKA-26	10052753AB	DRIVER SEAT	1		INTERCHANGEABLE WITH 10052753AC (ROHS)	
1	SOLIS-24	10052753AC	DRIVER SEAT	1			
1	SOLIS-26 FACELIFT	300008020A	DRIVER SEAT WITH OPC	1			
1	ALL SOLIS-26	10057105AA	STAR DRIVER SEAT	1	YES	MODIFIED FROM 10052753AB (ROHS)	MMKSS826879G26
1	SOLIS-26 EXCEPT FACELIFT,SONALIKA-26	10052753AC	DRIVER SEAT	1		INTERCHANGEABLE WITH 10052753AB (ROHS)	
1	SONALIKA-26 FACELIFT	10057105AA	STAR DRIVER SEAT	1			

Sr.	Model	Item Code	Description	Qty	Int.	Remarks	Cut Off
4	SOLIS-26,SONALIKA-26	10053089AA	SEAT MTG. BKT	1			
4	SOLIS-26,SONALIKA-26	10053089AB	SEAT MTG. BKT	1	YES		MEMBMGSF539 927G
4	SOLIS-24	10055261AA	SEAT MTG. BKT.	1			
4	SOLIS-26 WITH MITA LIFT WITHOUT TIPPING TRAILER	10053089BA	SEAT MTG BKT	1	NO		MEMGMGST639 247G
5	SOLIS-26,SONALIKA-26	20003239AA	HEX SCREW M10X40 8-8 SA3NS	4			
5	SOLIS-26,SONALIKA-26	20003239AB	HEX. SCREW M10X40	4	YES		MYJSF543803G 22, MEMMZKFF544 053W
5	SOLIS-26 WITH MITA LIFT WITHOUT TIPPING TRAILER	04041114040	HEX SCREW M14*40	2	NO		MEMGMGST639 247G
5	SOLIS-24	20004587AC	HEX.SCREW M14X2X40	4		INTERCHANGE ABLE WITH 2000552AA (ROHS)	
5	SOLIS-24	20005552AA	HEX SCREW M14X2X40	4		(ROHS) INTERCHANGE ABLE WITH 20004587AC	
5	SONALIKA-26 FACELIFT	20004587AC	HEX.SCREW M14X2X40	4			
6	SOLIS-26,SONALIKA-26	04030400010	SPRING WASHER B-10	4			
6	SOLIS-26 WITH MITA LIFT WITHOUT TIPPING TRAILER	04030400014	SPRING WASHER B-14	2	NO	INTERCHANGE ABLE WITH 20005520AA (ROHS)	MEMGMGST639 247G
6	SOLIS-24	20003673AC	SPRING WASHER B-14 TYPE-A IS: 3063-1972	4			
6	SOLIS-26 WITH MITA LIFT WITHOUT TIPPING TRAILER	20005520AA	SPRING WASHER B-14 TYPE A IS: 3067-1972	2		(ROHS) INTERCHANGE ABLE WITH 04030400014	
7	SOLIS-26,SONALIKA-26	20003244AB	HEX SCREW M12*1.75*35	2			
7	SONALIKA-26 FACELIFT	20003992AC	HEX BOLT M12X1.75X35	2			
8	SOLIS-26,SONALIKA-26	04030400012	SPRING WASHER B-12	2			
8	SOLIS-24	20004993AB	SPRINGWASHERB-12TYPEAIS:3067- 1972	2			
9	SOLIS-26,SONALIKA-26	20004367AA	HEX SCREW M10X1.25X40 8-8 SA2JS	2			
10	SOLIS-26,SONALIKA-26	04030400010	SPRING WASHER B-10	2			
10	SOLIS-24	20005518AA	SPRINGWASHERB-10TYPE-AIS: 3067-1972	2			
11	SOLIS-26 WITH MITA LIFT WITHOUT TIPPING TRAILER	04030900014	M/CD WASHER DIA 15 *DIA 27*2.5	2		NEW PART ADDED WITH 10053089BA FROM	MEMGMGST639 247G
11	SONALIKA-26 FACELIFT	04030900014	M/CD WASHER DIA 15 *DIA 27*2.5	2			

12140A-1/1

FENDER & ROLL OVER PROTECTION



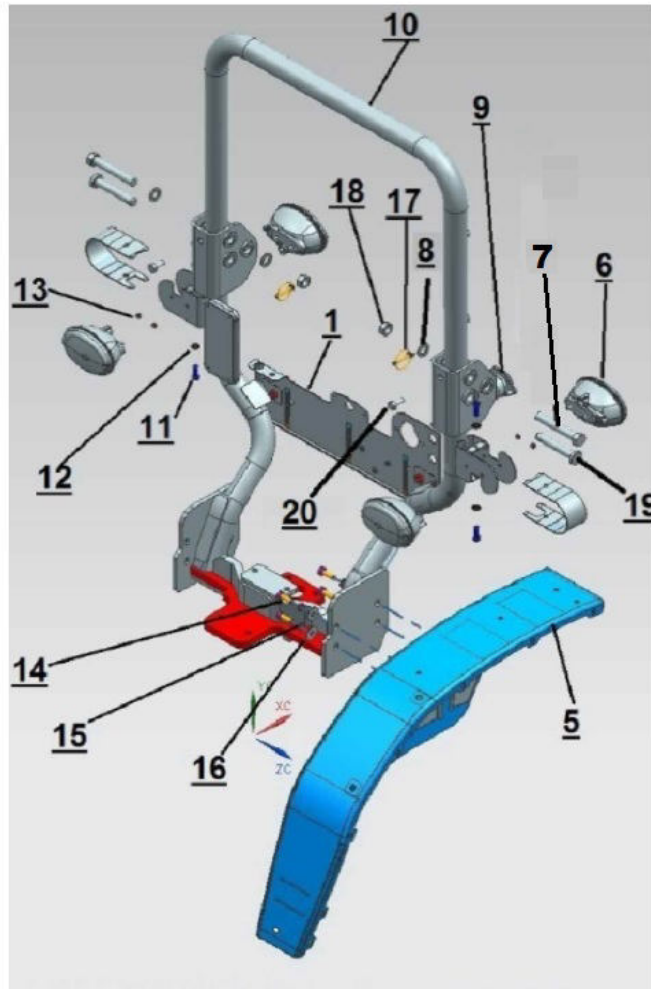
Sr.	Model	Item Code	Description	Qty	Int.	Remarks	Cut Off
1	SOLIS-24	10055980AA	REGISTRATION PLATE FOR WT-24EPAWITH PAINT	1			
1	SOLIS-24	10055979AA	REGISTRATION PLATE FOR WT-24 EPA W/O PA	1			
2	SOLIS-24	20002015Ac	HEX. HEAD SCREW M10 X 1.5 X 25 8-8 SA4JS	2		FOR MOUNTING REGISTRATIO N PLATE	
3	SOLIS-24	20000100AA	M/CD WASHER 10.5*21*2	2		FOR MOUNTING REGISTRATIO N PLATE	
3	SOLIS-24	20005625AA	M/CD WASHER 10.5*21*2	2	YES	(ROHS) INTERCHANGE ABLE WITH 20000100AA	

Sr.	Model	Item Code	Description	Qty	Int.	Remarks	Cut Off
4	SOLIS-24	20003671AC	SPRING WASHER B-10 TYPE-A IS: 3063-1972	2		FOR MOUNTING REGISTRATIO N PLATE	
4	SOLIS-24	20005518AA	SPRING WASHER B-10 TYPE A IS: 3067-1972	2	YES	(ROHS) INTERCHANGE ABLE WITH 20003671AC	
5	SOLIS-24	-	FENDER ASSY.	1			
6	SOLIS-24	10036751AA	HAZARD WARNING LAMP(SAE MARK)	4			
7	SOLIS-24	10051215AA	PIN FOR TOP LINK ASSY	2			
8	SOLIS-24	10084957AB	WASHER FOR LEVERS	4			
9	SOLIS-24	10036843AA	7 PIN SOCKET ASSY (SAE MARK)	1			
10	SOLIS-24	10054279AF	ROLL OVER PROTECTION STRUCTURE ASSY	1			
11	SOLIS-24	20004659AB	TRUSS PHILIPS M/C SCREW(M5X20)	4		INTERCHANGE ABLE WITH 20005329AA (ROHS)	
11	SOLIS-24	20005329AA	TRUSS PHILIPS M/S SCREW (M5X20)	4		(ROHS) INTERCHANGE ABLE WITH 20004659AB	
12	SOLIS-24	20005007AA	PUNCHED WASHER DIA 5.3*DIA 15*1.5 (A-6)	4			
13	SOLIS-24	20003354AB	HEX NUT M6 -8 SA2JS	8			
14	SOLIS-24	20002016AC	HEX. HEAD SCREW M10 X 1.5 X 30 8-8 SA4JS	8			
15	SOLIS-24	20003671AC	SPRING WASHER B-10 TYPE-A IS: 3063-1972	8		INTERCHANGE ABLE WITH 20005518AA (ROHS)	
15	SOLIS-24	20005518AA	SPRING WASHER B-10 TYPE A IS: 3067-1972	8	YES	(ROHS) INTERCHANGE ABLE WITH 20003671AC	
16	SOLIS-24	20003390AB	PLAIN WASHER A 10.5 IS:5370 STEEL	8		INTERCHANGE ABLE WITH 20005523AA (ROHS)	
16	SOLIS-24	20005523AA	PLAIN WASHER A 10.5 IS:5370 STEEL	8	YES	(ROHS) INTERCHANGE ABLE WITH 20003390AB	
17	SOLIS-24	20003921AB	HEX BOLT M18*2.5*110- 10.9 SA4JS	2			
18	SOLIS-24	20004489AB	HEX NUT M18X2.5 - 8 SA4JS	2			
19	SOLIS-24	20003921AB	HEX BOLT M18*2.5*110- 10.9 SA4JS	2			
20	SOLIS-24	20003230AA	HEX BOLT M10*1.5*40 8-8 SA3NS	2			
21	SOLIS-24 WITH ELECTRONIC GOVERNOR	10056463AA	TOP LINK HOLDING BKT	1		NEW PART ADDED FROM	MEMG412H3TH WS2027
22	SOLIS-24 WITH ELECTRONIC GOVERNOR	10051270AA	BUSH PIN FOR REAR TOE HOOK	1		NEW PART ADDED FROM	MEMG412H3TH WS2027
22	SOLIS-24 WITH ELECTRONIC GOVERNOR	10057672AA	PIN FOR BUSH FOR ACCLERATOR	1	YES	(ROHS) INTERCHANGE ABLE WITH	

Sr.	Model	Item Code	Description	Qty	Int.	Remarks	Cut Off
						10051270AA	
23	SOLIS-24 WITH ELECTRONIC GOVERNOR	20002461AB	BEATA PIN	1		NEW PART ADDED FROM	MEMG412H3TH WS2027
24	SOLIS-24 WITH ELECTRONIC GOVERNOR	10087869AA	NYLON WASHER	2		NEW PART ADDED FROM	MEMG412H3TH WS2027
25	SOLIS-24 WITH ELECTRONIC GOVERNOR	20001089AB	Hex. head screw M8 x 1.25-25 8-8 SA4JS	2		NEW PART ADDED FROM	MEMG412H3TH WS2027

12141A-1/1

FENDER & ROLL OVER PROTECTION

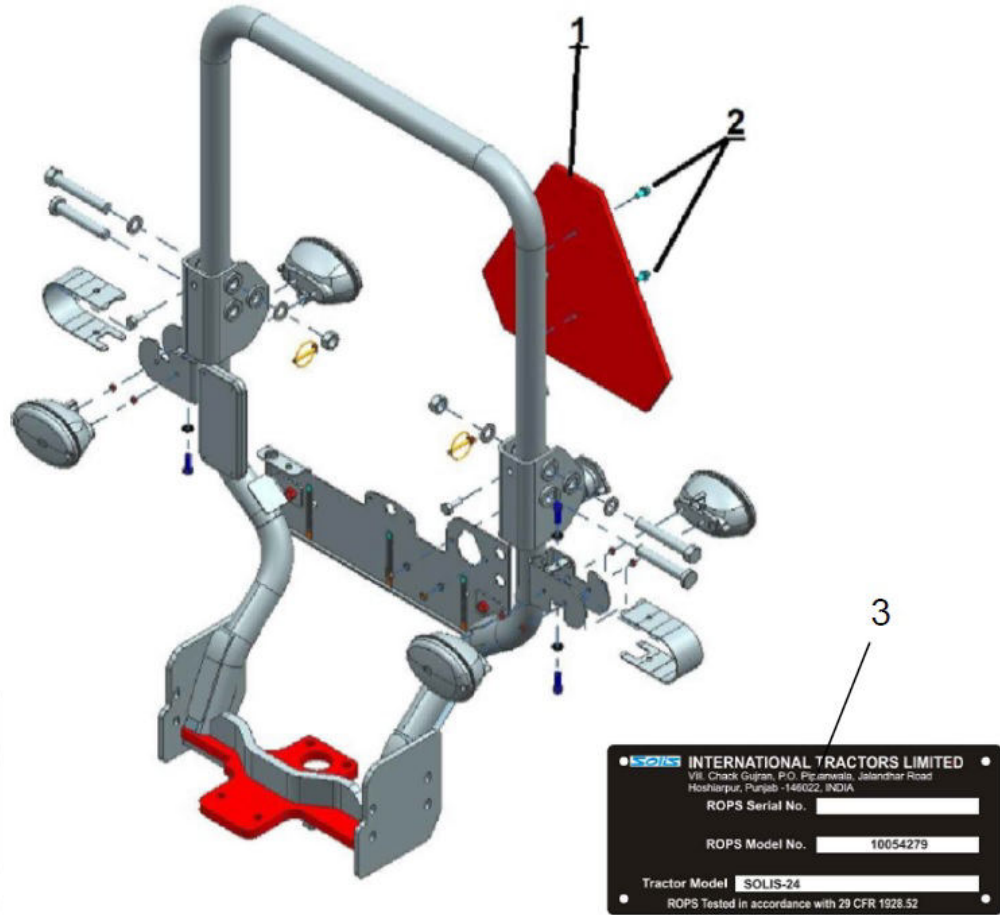


Sr.	Model	Item Code	Description	Qty	Int.	Remarks	Cut Off
1	ALL MODELS	10055980AA	REGISTRATION PLATE FOR WT-24EPAWITH PAINT	1			
1	ALL MODELS	10055979AA	REGISTRATION PLATE FOR WT-24 EPA W/O PA	1			
2	ALL MODELS	20005553AA	HEX HEAD SCREW M10X1.5X25 SA4GS	2		FOR MOUNTING REGISTRATIO N PLATE	
3	ALL MODELS	20005625AA	M/CD WASHER 10.5*21*2	2		FOR MOUNTING REGISTRATIO N PLATE	
4	ALL MODELS	20005518AA	SPRING WASHER B-10 TYPE A IS: 3067-1972	2		FOR MOUNTING REGISTRATIO N PLATE	

Sr.	Model	Item Code	Description	Qty	Int.	Remarks	Cut Off
5	ALL MODELS	-	FENDER ASSY.	1			
6	ALL MODELS	10036751AA	HAZARD WARNING LAMP(SAE MARK)	4			
7	ALL MODELS	10057679AA	PIN FOR TOP LINK	2			
8	ALL MODELS	10087869AA	WASHER FOR LEVERS	4			
9	ALL MODELS	10036843AA	7 PIN SOCKET ASSY (SAE MARK)	1			
10	ALL MODELS	10054279AG	ROLL OVER PROTECTION STRUCTURE ASSY	1			
11	ALL MODELS	20004659AB	TRUSS PHILIPS M/C SCREW(M5X20)	4		INTERCHANGEABLE WITH 20005329AA (ROHS)	
11	ALL MODELS	20005329AA	TRUSS PHILIPS M/S SCREW (M5X20)	4		(ROHS) INTERCHANGEABLE WITH 20004659AB	
12	ALL MODELS	20005007AB	PUNCHED WASHER DIA 5.3*DIA 15*1.5 (A-6)	4			
13	ALL MODELS	20005491AA	HEX NUT M6 -8 SA4GS	8			
14	ALL MODELS	20005562AA	HEX HEAD SCREW M10X1.5X30 -8.8 SA4GS	8			
15	ALL MODELS	20005518AA	SPRING WASHER B-10 TYPE A IS: 3067-1972	8			
16	ALL MODELS	20005523AA	PLAIN WASHER A 10.5 IS:5370 STEEL	8			
17	ALL MODELS	20005545AA	HEX BOLT M18*2.5*110 -10.9 SA4GS	2			
18	ALL MODELS	20005506AA	HEX NUT M18X2.5 - 8 SA4JS	2			
19	ALL MODELS	20005545AA	HEX BOLT M18*2.5*110 -10.9 SA4GS	2			
20	ALL MODELS	20003230AA	HEX BOLT M10*1.5*40 8-8 SA3NS	2			
21	ALL MODELS	10056463AA	TOP LINK HOLDING BKT	1			
22	ALL MODELS	10057672AA	BUSH PIN FOR REAR TOE HOOK	1			
23	ALL MODELS	10087903AA	BEATA PIN	1			
24	ALL MODELS	10087869AA	NYLON WASHER	2			
25	ALL MODELS	20005564AA	HEX HEAD SCREW M8X1.25-25 -8.8 SA4GS	2			

12150A-1/1

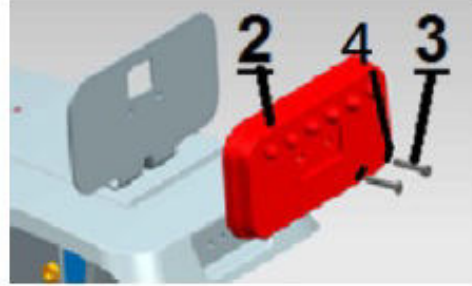
SMV EMBLEM



Sr.	Model	Item Code	Description	Qty	Int.	Remarks	Cut Off
1	SOLIS-24	10054308AA	SMV EMBLEM US HOMOLOGATION	1			
2	SOLIS-24	20003517AB	HEX FLANGE SCREW M6*1*16-8.8 SA4JS	2		INTERCHANGEABLE WITH 20005542AA (ROHS)	
2	SOLIS-24 EPA	20005542AA	HEX FLANGE SCREW M6*1*16 -8.8 SA4GS	2			
2	SOLIS-24	20005542AA	HEX FLANGE SCREW M6*1*16 -8.8 SA4GS	2	YES	(ROHS) INTERCHANGEABLE WITH 20003517AB	
3	SOLIS-24	10040989AA	ROPS DATA PLATE	1			
3A	SOLIS-24 EPA	300025905A	ROPS DATA PLATE	1			

12160A-1/1

REAR LED LIGHTS

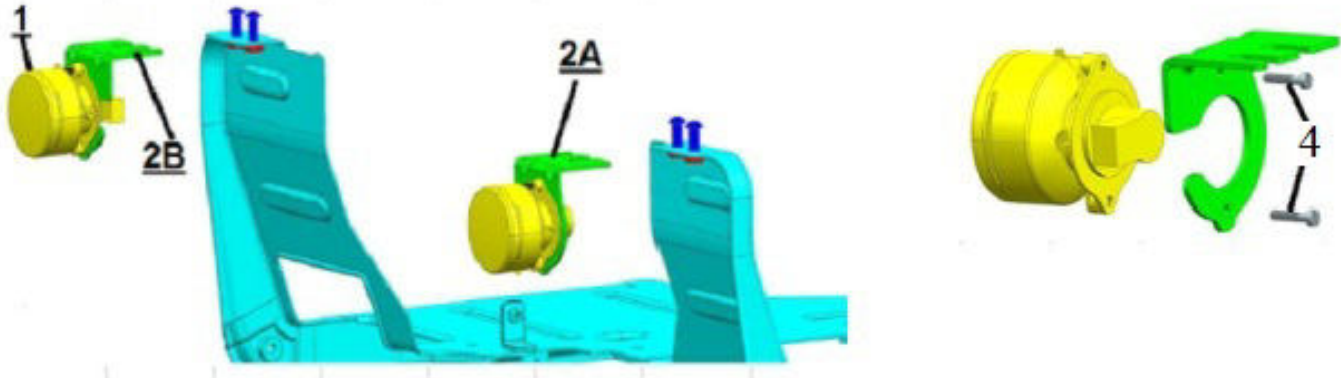


Sr.	Model	Item Code	Description	Qty	Int.	Remarks	Cut Off
1	SOLIS-24	10055970AA	BRACKETREARLIGHTMOUNTING (WITHPOWDER)	2			
1	SOLIS-24 EPA	10055975AA	BRACKET REAR LIGHT MOUNTING (WITH POWDER)	2			
2	SOLIS-24	10036750AB	TAIL LIGHT(SAE MARK)	2			
3	SOLIS-24	20003284AB	HEX SCREW M6*30 SA4JS	4			
3	SOLIS-24 EPA	20005568AA	HEX SCREW M6X30 SA4GS	4			
4	SOLIS-24	20003669AC	SPRING WASHER B-6 TYPE-A IS: 3063-1972	4		INTERCHANGE ABLE WITH 20005516AA (ROHS)	
4	SOLIS-24 EPA	20005516AA	SPRING WASHER B-6 TYPE-A IS: 3063-1972	4			
4	SOLIS-24	20005516AA	SPRING WASHER B-6 TYPE A IS: 3067-1972	4	YES	(ROHS) INTERCHANGE ABLE WITH	

Sr.	Model	Item Code	Description	Qty	Int.	Remarks	Cut Off
						20003669AC	

12170A-1/1

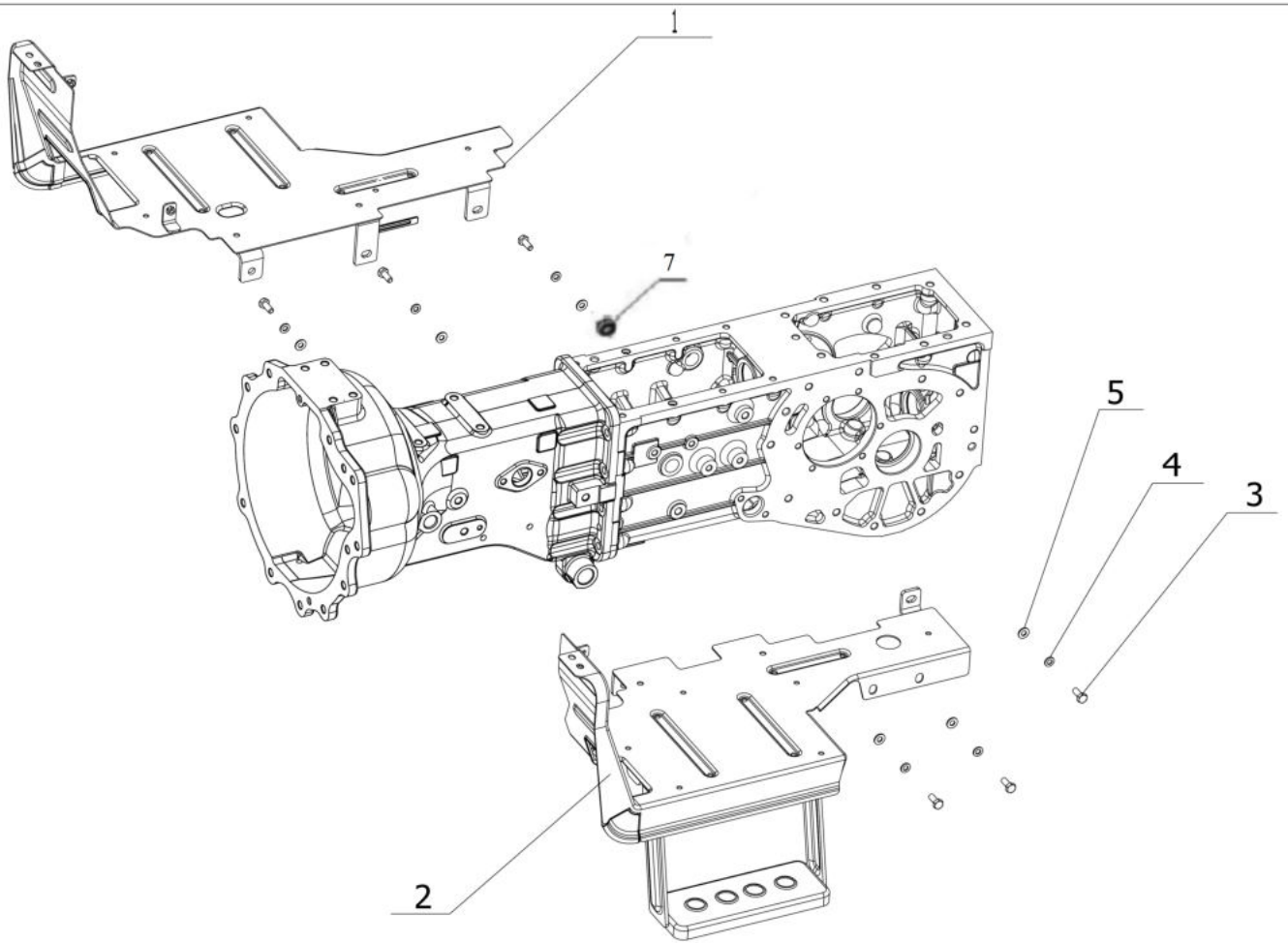
FRONT LIGHTS



Sr.	Model	Item Code	Description	Qty	Int.	Remarks	Cut Off
1	SOLIS-24	10036838AA	FRONT LAMP (SAE MARK)	2			
2	SOLIS-24	10055976AB	FRONT LAMP MTG BKT LH (POWDER COATED)	1			
2B	SOLIS-24	10055977AB	FRONT LAMP MTG BKT RH (POWDER COATED)	1			
4	SOLIS-24	10083702AA	SLOTTED PAD HEAD TAPPING SCREW M3.9X15	4			
4	SOLIS-24 EPA	10087876AA	SLOTTED PAD HEAD TAPPING SCREW M3.9X10	4			

13110A-1/1

FLOOR MTG. ASSY.

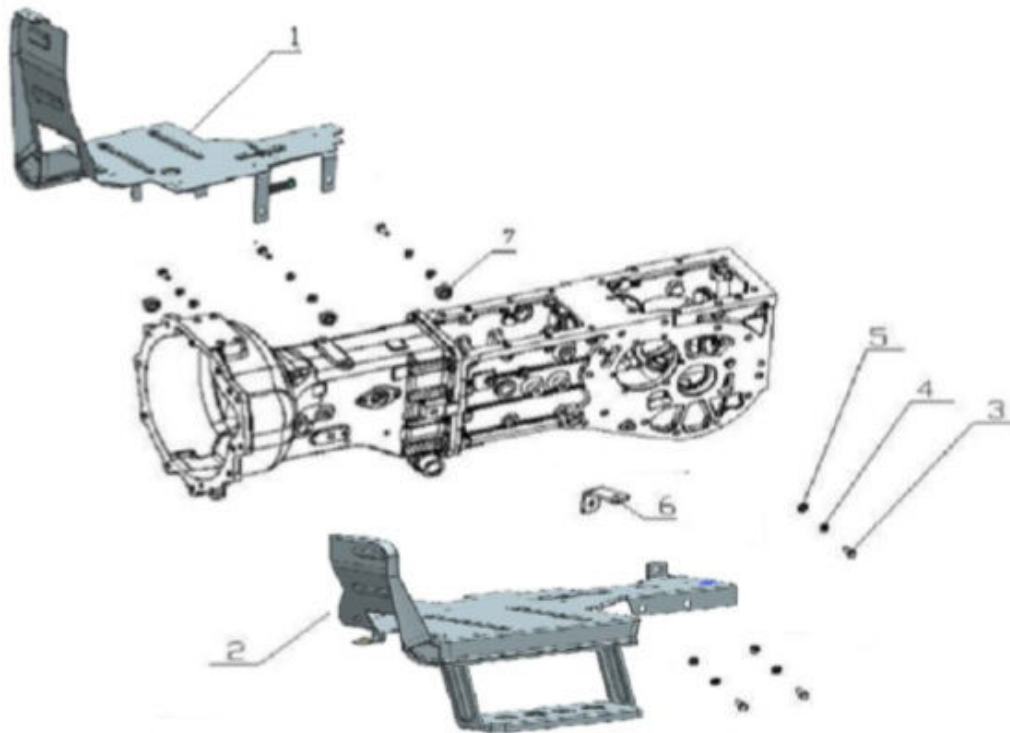


Sr.	Model	Item Code	Description	Qty	Int.	Remarks	Cut Off
1	SOLIS-26, SONALIKA-26	10053341AB	FLOOR RH ASSY.	1			
1	SOLIS-26, SONALIKA-26	10053341AD	FLOOR RH ASSY.	1			
1	SOLIS-24(ELECTRONIC GOVERENOR MODEL)	10055098AE	FLOOR ASSY. RH	1			
1	SOLIS-24(DEFICIENCY MODEL)	10056547AA	FLOOR ASSY. RH	1			
1	SOLIS-26, SONALIKA-26	10053341AE	FLOOR RH ASSY.	1	YES	WITH 20003357AB	KMKSU523761G26D
1	SOLIS-26, SONALIKA-26	10053341AF	FLOOR RH ASSY.	1			
1	SOLIS-26, SONALIKA-26	10056547AA	FLOOR ASSY. RH	1	YES		MEMGMKSF554589G26
2	SOLIS-26, SONALIKA-26	10053342AD	FLOOR LH ASSY.	1			

Sr.	Model	Item Code	Description	Qty	Int.	Remarks	Cut Off
2	SOLIS-26, SONALIKA-26, SOLIS-24	10053342AE	FLOOR LH ASSY.	1	YES	WITH 20003357AB	KMKSU523761G26D
2	SOLIS-26, SONALIKA-26	10053342AB	FLOOR LH ASSY.	1			
3	SOLIS-26, SONALIKA-26, SOLIS-24	20003235AB	HEX SCREW M10X20	6			
4	SOLIS-26, SONALIKA-26	04030400010	SPRING WASHER B-10	6			
4	SOLIS-24	20003671AC	SPRING WASHER B-10 TYPE-A IS: 3063-1972	6		INTERCHANGEABLE WITH 20005518AA (ROHS)	
4	SOLIS-24	20005518AA	SPRING WASHER B-10 TYPE A IS: 3067-1972	6	YES	(ROHS) INTERCHANGEABLE WITH 20003671AC	
5	SOLIS-26, SONALIKA-26	04030600010	PLAIN WASHER DIA 10.5 *DIA 30 *2.5	6			
5	SOLIS-24	20003390AB	PLAIN WASHER A 10.5 IS:5370 STEEL	6		INTERCHANGEABLE WITH 20005523AA (ROHS)	
5	SOLIS-24	20005523AA	PLAIN WASHER A 10.5 IS:5370 STEEL	6	YES	(ROHS) INTERCHANGEABLE WITH 20003390AB	
6	SOLIS-26, SONALIKA-26, SOLIS-24	10054088AA	FLOOR LH MTG BRACKET	1			
7	SOLIS-26, SONALIKA-26	20003357AB	HEX NUT M10 -8 SA2JS	6		NEW PART ADDED WITH 10053341AE AND 10053342AE FROM	KMKSU523761G26D
7	SOLIS-24	20003357AD	HEX NUT M10 -8 SA4JS	6		INTERCHANGEABLE WITH 20003357AF (ROHS)	
7	SOLIS-24	20003357AF	HEX NUT M10 -8 SA4GS	6		(ROHS) INTERCHANGEABLE WITH 20003357AD	

13111A-1/1

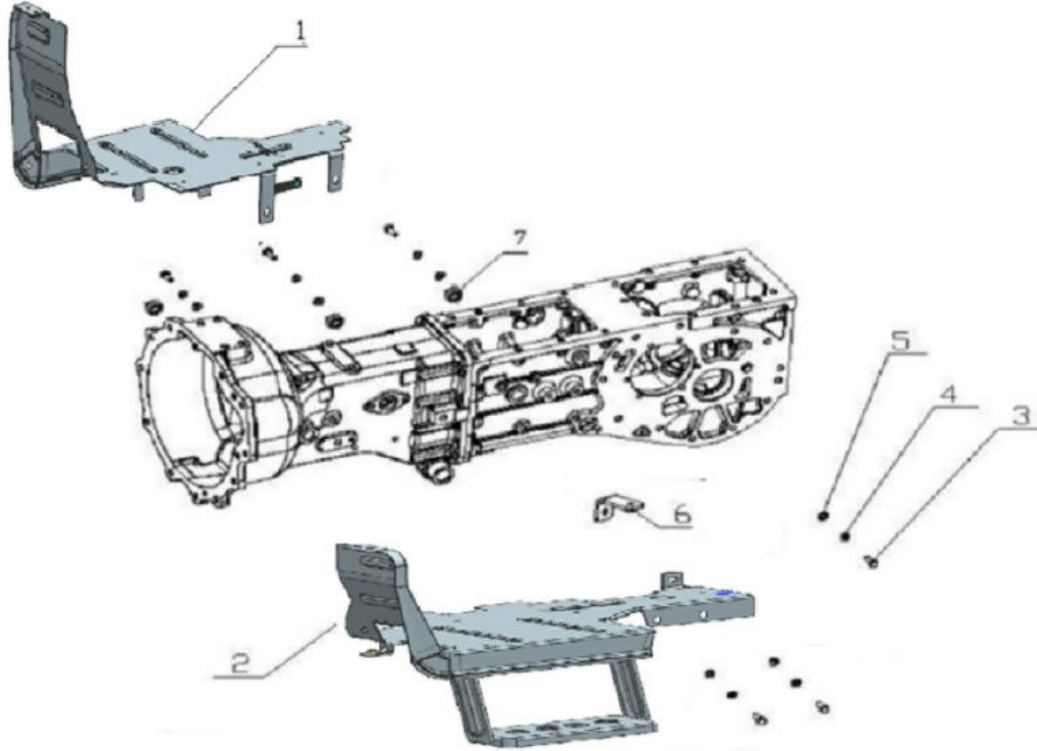
FLOOR ASSY.



Sr.	Model	Item Code	Description	Qty	Int.	Remarks	Cut Off
1	ALL MODELS	10056605AB	FLOOR ASSY. RH	1			
2	ALL MODELS	10056096AE	FLOOR LH ASSY.	1			
3	ALL MODELS	20003235AB	HEX SCREW M10X20	6			
4	ALL MODELS	04030400010	SPRING WASHER B-10	6			
5	ALL MODELS	04030600010	PLAIN WASHER DIA 10.5 *DIA 30 *2.5	6			
6	ALL MODELS	10054088AA	FLOOR LH MTG BRACKET	1			
7	ALL MODELS	20003357AB	HEX NUT M10 -8 SA2JS	6			
7	SONALIKA-26 FACELIFT	20003357AF	HEX NUT M10 -8 SA4GS	6			

13112A-1/1

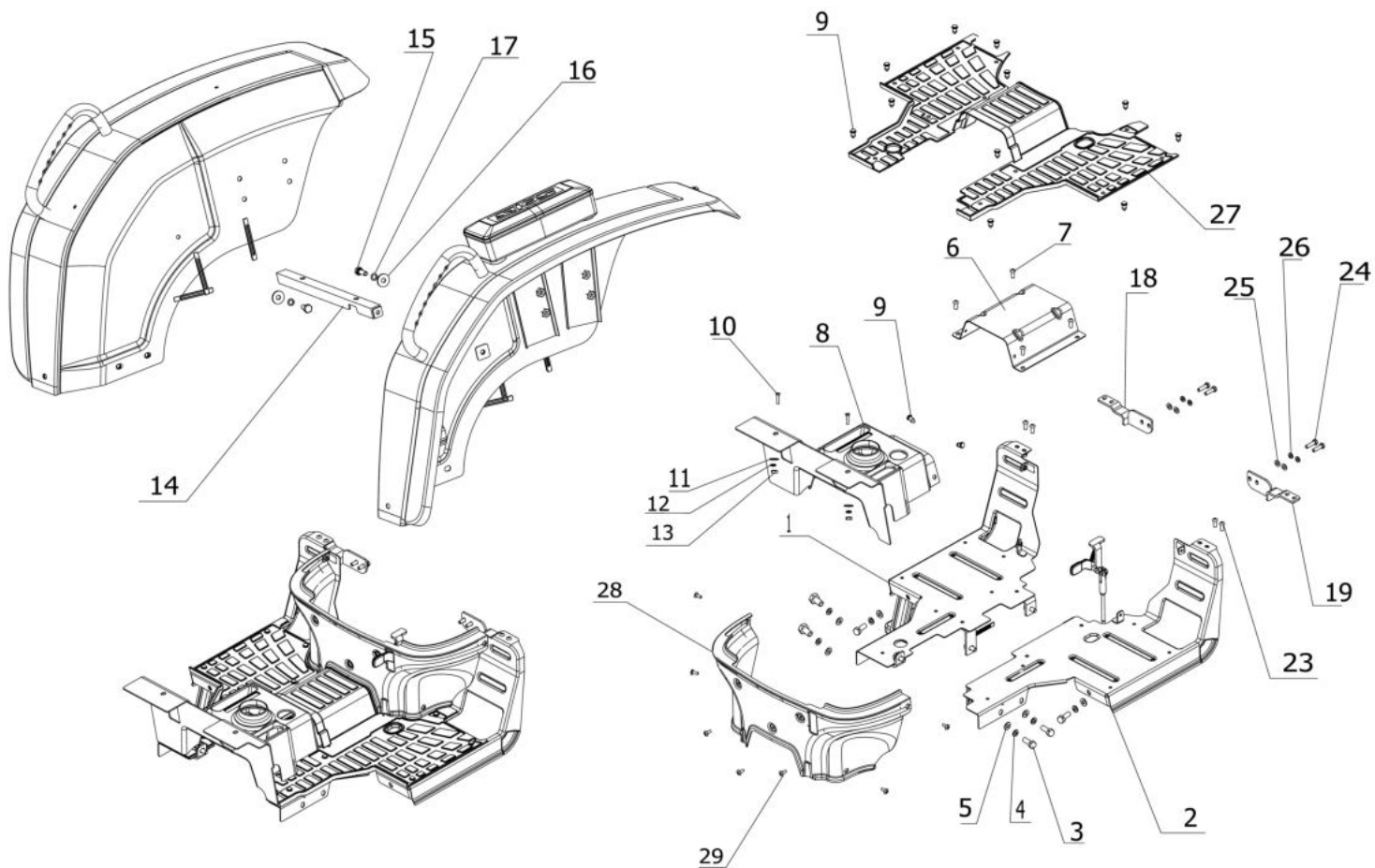
FLOOR ASSY.



Sr.	Model	Item Code	Description	Qty	Int.	Remarks	Cut Off
1	ALL MODELS	300004004A	FLOOR ASSY. RH	1			
2	ALL MODELS	10056096AE	FLOOR LH ASSY.	1			
3	ALL MODELS	20003235AB	HEX SCREW M10X20	6			
4	ALL MODELS	20005518AA	SPRING WASHER B-10 TYPE A IS: 3067-1972	6			
5	ALL MODELS	20005523AA	PLAIN WASHER A 10.5 IS:5370 STEEL	6			
6	ALL MODELS	10054088AA	FLOOR LH MTG BRACKET	1			
7	ALL MODELS	20005503AA	HEX NUT M10 -8 SA4GS	6			

13120A-1/1

FLOOR ASSY.



Sr.	Model	Item Code	Description	Qty	Int.	Remarks	Cut Off
1	SOLIS-26, SONALIKA-26	10053341AB	FLOOR RH ASSY.	1			
1	SOLIS-26, SONALIKA-26	10053341AD	FLOOR RH ASSY.	1			
1	SOLIS-24(ELECTRONIC GOVERENOR MODEL)	10055098AE	FLOOR ASSY. RH	1			
1	SOLIS-24(DEFICIENCY MODEL)	10056547AA	FLOOR ASSY. RH	1			
1	SOLIS-26, SONALIKA-26	10053341AE	FLOOR RH ASSY.	1	YES	WITH 20003357AB	KMKSU523761G 26D
1	SOLIS-26, SONALIKA-26	10053341AF	FLOOR RH ASSY.	1			
1	SOLIS-26, SONALIKA-26	10056547AA	FLOOR ASSY. RH	1	YES		MEMGMKSF554 589G26
2	SOLIS-26, SONALIKA-26	10053342AD	FLOOR LH ASSY.	1			

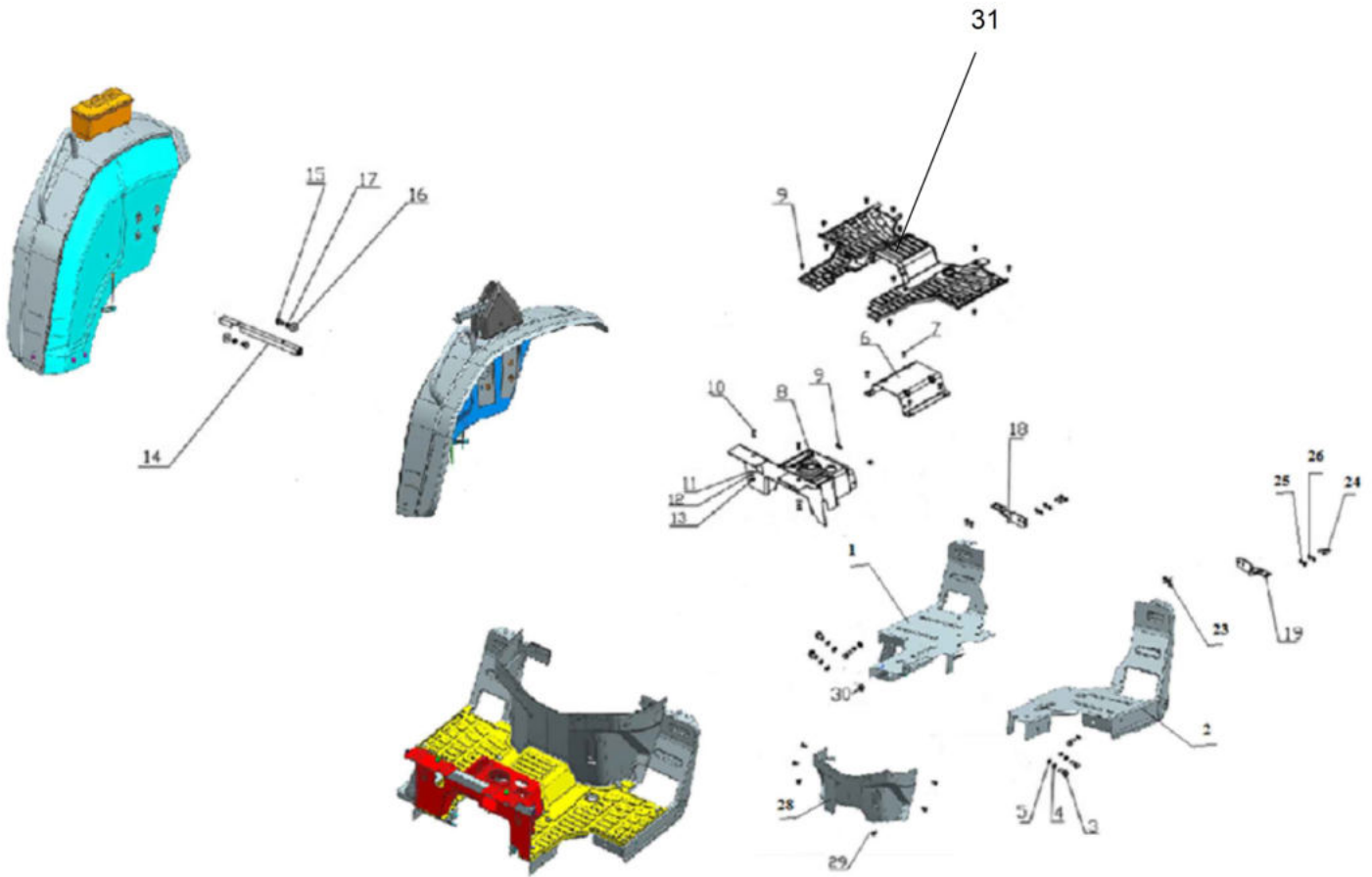
Sr.	Model	Item Code	Description	Qty	Int.	Remarks	Cut Off
2	SOLIS-26, SONALIKA-26, SOLIS-24	10053342AE	FLOOR LH ASSY.	1	YES	WITH 20003357AB	KMKSU523761G26D
2	SOLIS-26, SONALIKA-26	10053342AB	FLOOR LH ASSY.	1			
3	SOLIS-26, SONALIKA-26, SOLIS-24	20003235AB	HEX SCREW M10X20	6			
4	SOLIS-26, SONALIKA-26	04030400010	SPRING WASHER B-10	6			
4	SOLIS-24	20003671AC	SPRING WASHER B-10 TYPE-A IS: 3063-1972	6		INTERCHANGEABLE WITH 20005518AA (ROHS)	
4	SOLIS-24	20005518AA	SPRING WASHER B-10 TYPE A IS: 3067-1972	6	YES	(ROHS) INTERCHANGEABLE WITH 20003671AC	
5	SOLIS-26, SONALIKA-26	04030600010	PLAIN WASHER DIA 10.5 *DIA 30 *2.5	6			
5	SOLIS-24	20003390AB	PLAIN WASHER A 10.5 IS:5370 STEEL	6		INTERCHANGEABLE WITH 20005523AA (ROHS)	
5	SOLIS-24	20005523AA	PLAIN WASHER A 10.5 IS:5370 STEEL	6	YES	(ROHS) INTERCHANGEABLE WITH 20003390AB	
6	SOLIS-26, SONALIKA-26, SOLIS-24	10053354AB	MID FLOOR	1			
7	SOLIS-26, SONALIKA-26	20004658AA	USS PHILIPS M/C SCREW(M8X20)	4			
7	SOLIS-24	20004658AB	TRUSS PHILIPS M/C SCREW(M8X20)	4			
8	SOLIS-26, SONALIKA-26	10053661AB	HOUSING COVER	1		INTERCHANGEABLE WITH 10053661AF (ROHS)	
8	SOLIS-26, SONALIKA-26	10053661AD	HOUSING COVER	1			
8	SOLIS-24	10053661AE	HOUSING COVER	1			
8	SOLIS-26, SONALIKA-26	10053661AF	HOUSING COVER	1		(ROHS) INTERCHANGEABLE WITH 10053661AB	
9	SOLIS-26, SONALIKA-26, SOLIS-24	10081882AB	PUSH PIN	13			
9	SOLIS-26, SONALIKA-26	10081882AA	PUSH PIN	13		INTERCHANGEABLE WITH 10081882AB (ROHS)	
9	SOLIS-26, SONALIKA-26	10081882AB	PUSH PIN	13	YES	(ROHS) INTERCHANGEABLE WITH 10081882AA	
10	SOLIS-26, SONALIKA-26	20001096AA	HEX. HEAD SCREW M8 X 1.25 X 20 8-8 SA2JS	2		INTERCHANGEABLE WITH 20005565AA (ROHS)	
10	SOLIS-24	20001096AB	HEX. HEAD SCREW M8 X 1.25 X 20 8-8 SA4JS	2			
10	SOLIS-26, SONALIKA-26	20005565AA	HEX HEAD SCREW M8X1.25X20 -8.8 SA4GS	2	YES	(ROHS) INTERCHANGEABLE WITH 20001096AA	
11	SOLIS-26, SONALIKA-26, SOLIS-24	04030600008	PLAIN WASHER DIA 8.4 *DIA 17*1.6	2			

Sr.	Model	Item Code	Description	Qty	Int.	Remarks	Cut Off
12	SOLIS-26, SONALIKA-26	04030400008	SPRING WASHER B-8	2		INTERCHANGEABLE WITH 20005517AA (ROHS)	
12	SOLIS-24	20003670AC	SPRING WASHER B-8 TYPE-A IS: 3063-1972	2			
12	SOLIS-26, SONALIKA-26	20005517AA	SPRING WASHER B-8 TYPE A IS: 3067-1972	2	YES	(ROHS) INTERCHANGEABLE WITH 04030400008	
13	SOLIS-26, SONALIKA-26	20003355AB	HEX NUT M8X1.25 -8 SA2JS	2			
13	SOLIS-24	20003355AD	HEX NUT M8X1.25 -8 SA4JS	2		INTERCHANGEABLE WITH 200000391A (ROHS)	
13	SOLIS-24	200000391A	HEX NUT M18X1.25 -8 SA4NS	2		(ROHS) INTERCHANGEABLE WITH 20003355AD	
14	SOLIS-26, SONALIKA-26	10053672AA	STIFFNER FOR HOUSING COVER	1			
14	SOLIS-26, SONALIKA-26, SOLIS-24	10053672AD	STIFFNER FOR HOUSING COVER	1			
15	SOLIS-26, SONALIKA-26	20001089AA	HEX. HEAD SCREW M8 X 1.25-25 8-8 SA2JS	2			
15	SOLIS-24	20001089AB	HEX. HEAD SCREW M8 X 1.25-25 8-8 SA4JS	2			
16	SOLIS-26, SONALIKA-26, SOLIS-24	04030600008	PLAIN WASHER DIA 8.4 *DIA 17*1.6	2			
17	SOLIS-26, SONALIKA-26	04030400008	SPRING WASHER B-8	2		INTERCHANGEABLE WITH 20005517AA (ROHS)	
17	SOLIS-24	20003670AC	SPRING WASHER B-8 TYPE-A IS: 3063-1972	2			
17	SOLIS-26, SONALIKA-26	20005517AA	SPRING WASHER B-8 TYPE A IS: 3067-1972	2	YES	(ROHS) INTERCHANGEABLE WITH 04030400008	
18	SOLIS-26, SONALIKA-26, SOLIS-24	10053380AB	FLOOR MTG BKT FRONT RH	1			
19	SOLIS-26, SONALIKA-26, SOLIS-24	10053381AB	FLOOR MTG BKT FRONT LH	1			
23	SOLIS-26, SONALIKA-26	20004658AA	USS PHILIPS M/C SCREW(M8X20)	4			
23	SOLIS-24	20004658AB	TRUSS PHILIPS M/C SCREW(M8X20)	4			
24	SOLIS-26, SONALIKA-26	20003285AB	HEX SCREW M8X1.25X30 8-8 SA2JS	4			
24	SOLIS-24	20003285AC	HEX SCREW M8X1.25X30 8-8 SA4JS	4			
25	SOLIS-26, SONALIKA-26, SOLIS-24	04030600008	PLAIN WASHER DIA 8.4 *DIA 17*1.6	4			
26	SOLIS-26, SONALIKA-26	04030400008	SPRING WASHER B-8	4		INTERCHANGEABLE WITH 20005517AA (ROHS)	
26	SOLIS-24	20003670AC	SPRING WASHER B-8 TYPE-A IS: 3063-1972	4			
26	SOLIS-26, SONALIKA-26	20005517AA	SPRING WASHER B-8 TYPE A IS: 3067-1972	4	YES	(ROHS) INTERCHANGEABLE WITH 04030400008	
27	SOLIS-26, SONALIKA-26	10053399AB	FLOOR MAT GT-26 EEC	1			

Sr.	Model	Item Code	Description	Qty	Int.	Remarks	Cut Off
27	SOLIS-26, SONALIKA-26	10053399AD	FLOOR MAT GT-26 EEC	1			
27	SOLIS-24	10055179AA	FLOOR MAT WT-24	1			
28	SOLIS-26, SONALIKA-26	10053398AB	DASHBOARD LOWER GT-26 EEC	1			
28	SOLIS-26, SONALIKA-26	10053398AC	DASHBOARD LOWER GT-26 EEC	1			
28	SOLIS-24	10053398AD	DASHBOARD LOWER GT-26 EEC	1			
29	SOLIS-26, SONALIKA-26	20004732AA	TRUSS PHILIPS M/C SCREW (M6X16)	7			
29	SOLIS-26, SONALIKA-26	10067947AA	CROSS SLOTTED TRUSS HEAD SCREW M6X16	7			
29	SOLIS-26, SONALIKA-26	10057095AA	CROSS SLOTTED TRUSS HEAD SCREW M6X16 PRECOATED	7	YES		MEMMYEDT624 377WNT
29	SOLIS-26, SONALIKA-26	10067947AA	CROSS SLOTTED TRUSS HEAD SCREW M6	7	YES		MEMHYNDT654 986WNT
30	SOLIS-26, SONALIKA-26	20003357AB	HEX NUT M10 -8 SA2JS	6		NEW PART ADDED WITH 10053341AE AND 10053342AE FROM	KMKSU523761G 26D
30	SOLIS-24	20003357AD	HEX NUT M10 -8 SA4JS	6		INTERCHANGE ABLE WITH 20003357AF (ROHS)	
30	SOLIS-24	20003357AF	HEX NUT M10 -8 SA4GS	6		(ROHS) INTERCHANGE ABLE WITH 20003357AD	

13121A-1/1

FLOOR MAT



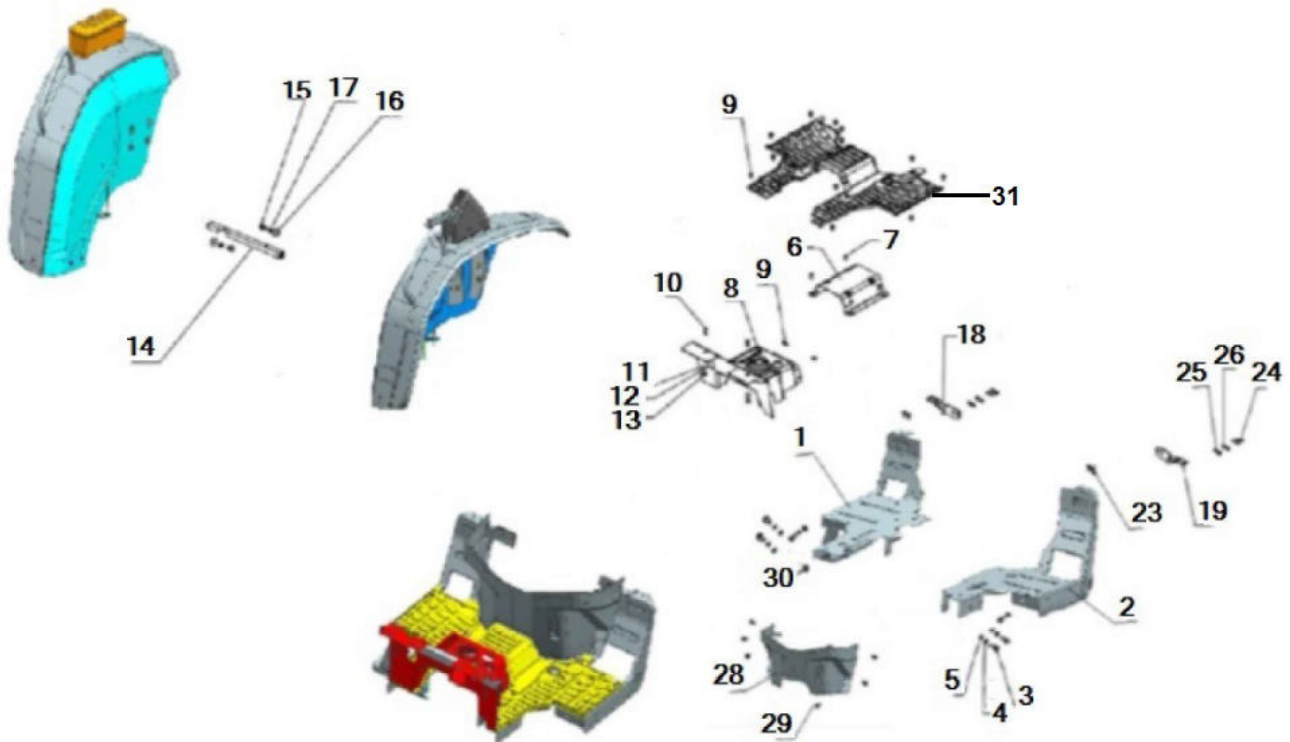
Sr.	Model	Item Code	Description	Qty	Int.	Remarks	Cut Off
1	ALL MODELS	10056605AB	FLOOR ASSY. RH	1			
2	ALL MODELS	10056096AE	FLOOR LH ASSY.	1			
3	ALL MODELS	20003235AB	HEX SCREW M10X20	6			
4	ALL MODELS	04030400010	SPRING WASHER B-10	6			
5	ALL MODELS	04030600010	PLAIN WASHER DIA 10.5 *DIA 30 *2.5	6			
6	ALL MODELS	10053354AB	MID FLOOR	1			
7	ALL MODELS	20004658AA	USS PHILIPS M/C SCREW(M8X20)	4			
8	ALL MODELS	10053661AD	HOUSING COVER	1			

Sr.	Model	Item Code	Description	Qty	Int.	Remarks	Cut Off
8	SONALIKA-26 FACELIFT	10053661AF	HOUSING COVER	1			
9	ALL MODELS	10081882AA	PUSH PIN	13		INTERCHANGEABLE WITH 10081882AB (ROHS)	
9	ALL MODELS	10081882AB	PUSH PIN	13	YES	(ROHS) INTERCHANGEABLE WITH 10081882AA	
10	ALL MODELS	20001096AA	HEX. HEAD SCREW M8 X 1.25 X 20 8-8 SA2JS	2		INTERCHANGEABLE WITH 20005565AA (ROHS)	
10	ALL MODELS	20005565AA	HEX HEAD SCREW M8X1.25X20 -8.8 SA4GS	2	YES	(ROHS) INTERCHANGEABLE WITH 20001096AA	
11	ALL MODELS	04030600008	PLAIN WASHER DIA 8.4 *DIA 17*1.6	2			
12	ALL MODELS	04030400008	SPRING WASHER B-8	2		INTERCHANGEABLE WITH 20005517AA (ROHS)	
12	ALL MODELS	20005517AA	SPRING WASHER B-8 TYPE A IS: 3067-1972	2	YES	(ROHS) INTERCHANGEABLE WITH 04030400008	
13	ALL MODELS	20003355AB	HEX NUT M8X1.25 -8 SA2JS	2			
14	ALL MODELS	10053672AD	STIFFNER FOR HOUSING COVER	1			
15	ALL MODELS	20001089AA	HEX. HEAD SCREW M8 X 1.25-25 8-8 SA2JS	2			
16	ALL MODELS	04030600008	PLAIN WASHER DIA 8.4 *DIA 17*1.6	2			
17	ALL MODELS	04030400008	SPRING WASHER B-8	2		INTERCHANGEABLE WITH 20005517AA (ROHS)	
17	ALL MODELS	20005517AA	SPRING WASHER B-8 TYPE A IS: 3067-1972	2	YES	(ROHS) INTERCHANGEABLE WITH 04030400008	
18	ALL MODELS	10053380AB	FLOOR MTG BKT FRONT RH	1			
19	ALL MODELS	10053381AB	FLOOR MTG BKT FRONT LH	1			
23	ALL MODELS	20004658AA	USS PHILIPS M/C SCREW(M8X20)	4			
24	ALL MODELS	20003285AB	HEX SCREW M8X1.25X30 8-8 SA2JS	4			
25	ALL MODELS	04030600008	PLAIN WASHER DIA 8.4 *DIA 17*1.6	4			
26	ALL MODELS	04030400008	SPRING WASHER B-8	4		INTERCHANGEABLE WITH 20005517AA (ROHS)	
26	ALL MODELS	20005517AA	SPRING WASHER B-8 TYPE A IS: 3067-1972	4	YES	(ROHS) INTERCHANGEABLE WITH 04030400008	
28	ALL MODELS	10057508AF	DASHBOARD LOWER GT-26 EEC	1			
29	ALL MODELS	10067947AA	CROSS SLOTTED TRUSS HEAD SCREW M6	7			

Sr.	Model	Item Code	Description	Qty	Int.	Remarks	Cut Off
30	ALL MODELS	20003357AB	HEX NUT M10 -8 SA2JS	6			
30	SONALIKA-26 FACELIFT	20003357AF	HEX NUT M10 -8 SA4GS	6			
31	SONALIKA-26 FACELIFT	10057451AC	FLOOR MAT GT-26 MAJOR FACELIFT	6			

13122A-1/1

FLOOR MAT

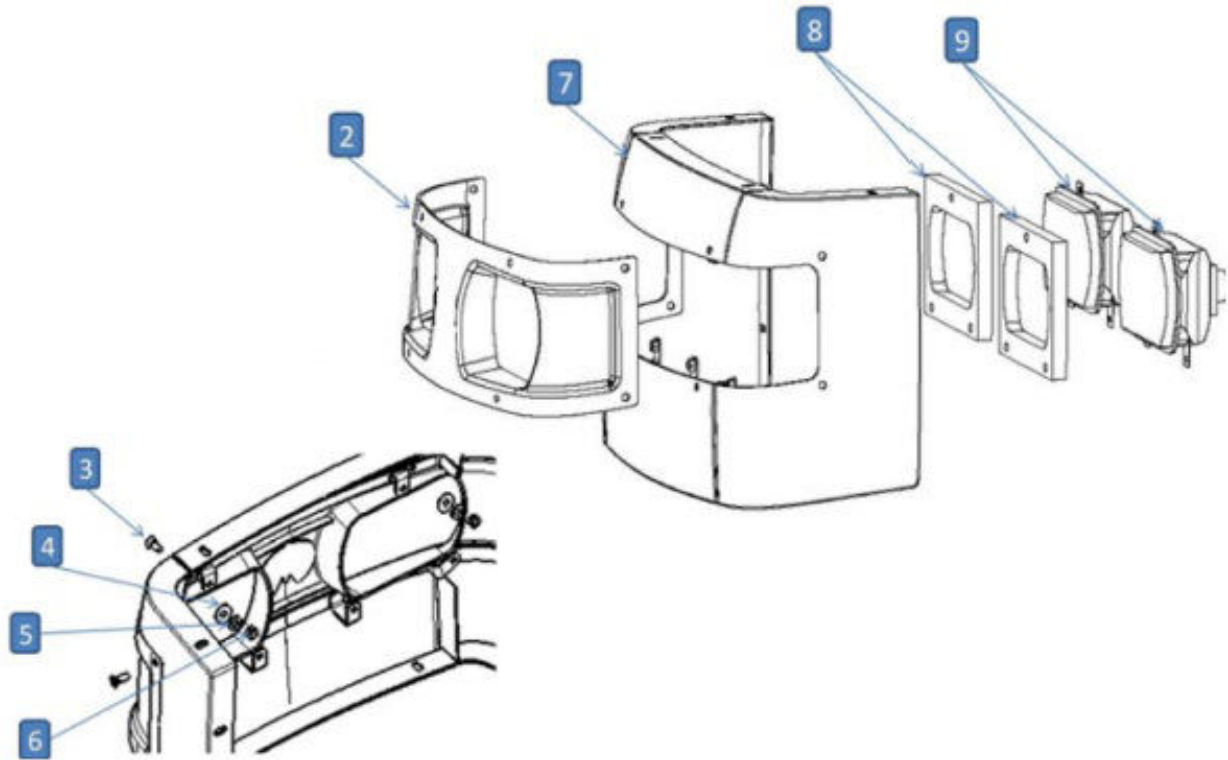


Sr.	Model	Item Code	Description	Qty	Int.	Remarks	Cut Off
1	ALL MODELS	300004004A	FLOOR ASSY. RH	1			
2	ALL MODELS	10056096AE	FLOOR LH ASSY.	1			
3	ALL MODELS	20003235AB	HEX SCREW M10X20	6			
4	ALL MODELS	20005518AA	SPRING WASHER B-10 TYPE A IS: 3067-1972	6			
5	ALL MODELS	20005523AA	PLAIN WASHER A 10.5 IS:5370 STEEL	6			
6	ALL MODELS	10053354AB	MID FLOOR	1			
7	ALL MODELS	20004658AB	USS PHILIPS M/C SCREW(M8X20)	4			
8	ALL MODELS	10053661AE	HOUSING COVER	1			
9	ALL MODELS	10081882AB	PUSH PIN	13			

Sr.	Model	Item Code	Description	Qty	Int.	Remarks	Cut Off
10	ALL MODELS	20005565AA	HEX HEAD SCREW M8X1.25X20 -8.8 SA4GS	2			
11	ALL MODELS	20004935AB	PLAIN WASHER DIA 8.4 *DIA 17*1.6	2			
12	ALL MODELS	20005517AA	SPRING WASHER B-8 TYPE A IS: 3067-1972	2			
13	ALL MODELS	20005504AA	HEX NUT M8X1.25 -8 SA4GS	2			
14	ALL MODELS	10053672AD	STIFFNER FOR HOUSING COVER	1			
15	ALL MODELS	20005564AA	HEX HEAD SCREW M8X1.25-25 -8.8 SA4GS	2			
16	ALL MODELS	20004935AB	PLAIN WASHER DIA 8.4 *DIA 17*1.6	2			
17	ALL MODELS	20005517AA	SPRING WASHER B-8 TYPE A IS: 3067-1972	2			
18	ALL MODELS	10053380AB	FLOOR MTG BKT FRONT RH	1			
19	ALL MODELS	10053381AB	FLOOR MTG BKT FRONT LH	1			
23	ALL MODELS	20004658AB	USS PHILIPS M/C SCREW(M8X20)	4			
24	ALL MODELS	20005563AA	HEX SCREW M8X1.25X30 -8.8 SA4GS	4			
25	ALL MODELS	20004935AB	PLAIN WASHER DIA 8.4 *DIA 17*1.6	4			
26	ALL MODELS	20005517AA	SPRING WASHER B-8 TYPE A IS: 3067-1972	4			
28	ALL MODELS	10057508AF	DASHBOARD LOWER GT-26 EEC	1			
29	ALL MODELS	10067947AB	CROSS SLOTTED TRUSS HEAD SCREW M6	7			
30	ALL MODELS	20005503AA	HEX NUT M10 -8 SA4GS	6			
31	ALL MODELS	10057451AB	FLOOR MAT	1			
31	ALL MODELS	10057451AC	FLOOR MAT GT-26 MAJOR FACELIFT	1	YES AS SET	THESE PARTS (10057451AB, 300023232A, 10056650AA, 10005405AB, 300023523A) ARE INTERCHANGEABLE AS A SET WITH (10057451AC, 300023232B, 300044293A, 10039219AA, 10087872AA, 10087873AA, 300044504A, 300044529A)	MEMG412H3GH WS2394

15110A-1/1

HEAD LAMP FRAME

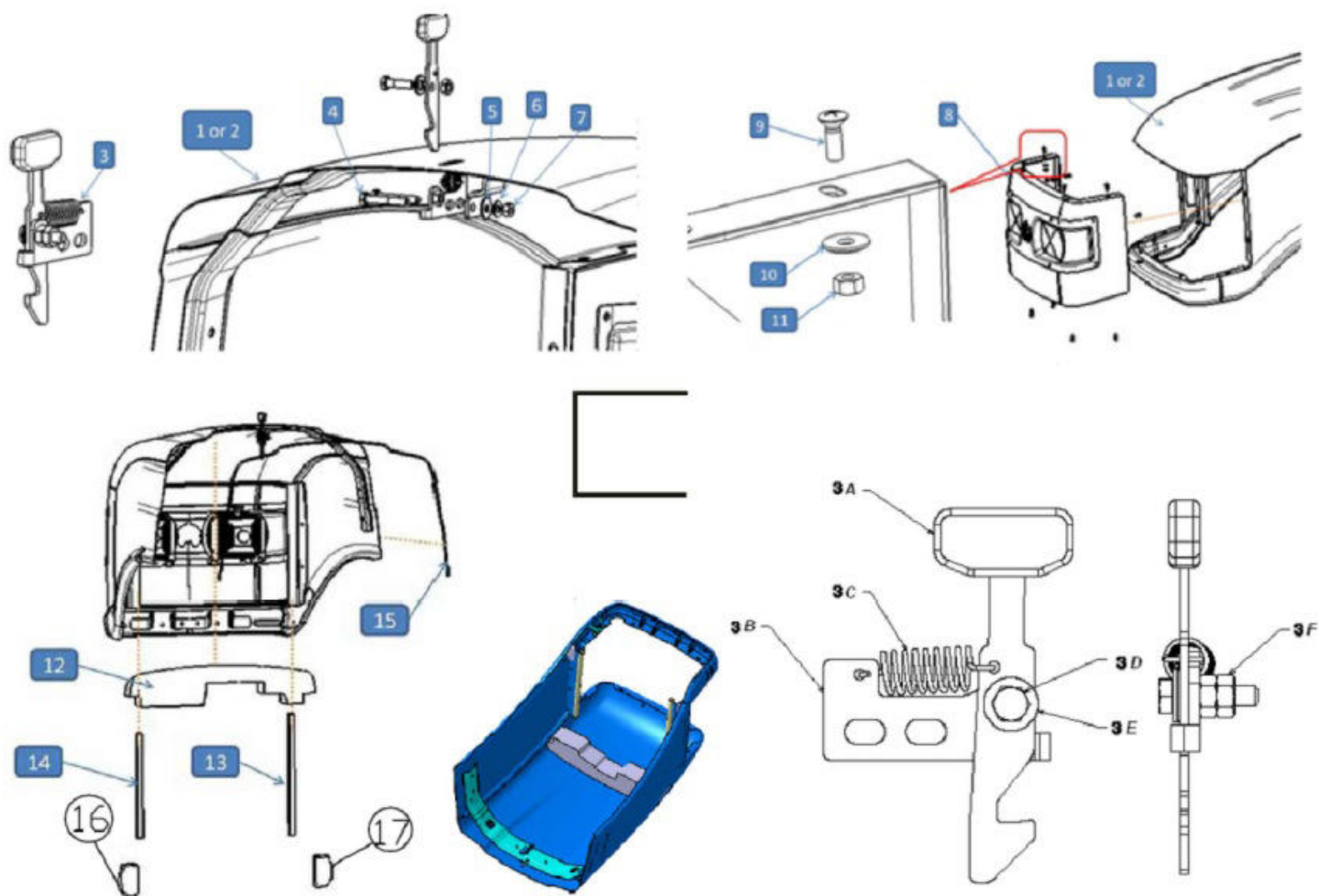


Sr.	Model	Item Code	Description	Qty	Int.	Remarks	Cut Off
2	SOLIS-26,SONALIKA-26	10053444AA	HEAD LAMP FRAME	1		INTERCHANGEABLE WITH 10053444AB (ROHS)	
2	SOLIS-24	10053444AB	HEAD LAMP FRAME	1			
2	SOLIS-26,SONALIKA-26	10053444AB	HEAD LAMP FRAME	1		(ROHS) INTERCHANGEABLE WITH 10053444AA	
3	SOLIS-26,SONALIKA-26	20004652AA	TRUSS PHILIPS M/C SCREW M6X20	8		INTERCHANGEABLE WITH 20004652AB (ROHS)	
3	SOLIS-24	20004652AB	TRUSS PHILIPS M/C SCREW M6X20	8			

Sr.	Model	Item Code	Description	Qty	Int.	Remarks	Cut Off
3	SOLIS-26,SONALIKA-26	20004652AB	TRUSS PHILIPS M/C SCREW M6X20	8		(ROHS) INTERCHANGE ABLE WITH 20004652AA	
4	SOLIS-26,SONALIKA-26	04030600006	PLAIN WASHER DIA 6.4 *DIA 18 *1.5	8			
4	SOLIS-24	20003389AB	PLAIN WASHER A 6.4 IS:5370 STEEL	8			
5	SOLIS-26,SONALIKA-26	04030400006	SPRING WASHER B-6	8			
5	SOLIS-24	20003669AC	SPRING WASHER B-6 TYPE-A IS: 3063-1972	8		INTERCHANGE ABLE WITH 20005516AA (ROHS)	
5	SOLIS-24	20005516AA	SPRING WASHER B-6 TYPE A IS: 3067-1972	8	YES	(ROHS) INTERCHANGE ABLE WITH 20003669AC	
6	SOLIS-26,SONALIKA-26, SOLIS-24	20003354AB	HEX NUT M6 -8 SA2JS	8			
7	SOLIS-26,SONALIKA-26	10051579AC	FRONT MESH G.T.	1			
7	SOLIS-26,SONALIKA-26, SOLIS-24	10051579AD	FRONT MESH GT BLACK PAINT	1			
8	SOLIS-26,SONALIKA-26	10024633AA	SEAL FRAME (FRONT LIGHTS)	2			
8	SOLIS-24	10024633AB	SEAL FRAME (FRONT LIGHTS)	2			
9	SOLIS-26,SONALIKA-26 (ALL MODELS WITH LH DRIVE)	10001893AB	HEAD LAMP ASSY LT HAND DRIVE (E-MARKED)	2		LH DRIVE	
9	SOLIS-24	10055873AA	HEAD LIGHT ASSY. LHD	2		LH DRIVE	
9	SOLIS-26,SONALIKA-26 (ALL MODELS WITH RH DRIVE)	10009397AC	HEAD LAMP ASSY (RH DRIVE)	2		RH DRIVE	

15120A-1/2

BONNET ASSY.



Sr.	Model	Item Code	Description	Qty	Int.	Remarks	Cut Off
1	SOLIS-26,SONALIKA-26	10051968AD	BONNET ASSY. GT HOMOLOGATION (BLUE PAINT)	1			
1	SOLIS-26,SONALIKA-26	10053546AD	ASSY SHEET METAL BONNET BLUE PAINT	1			
1	SOLIS-26,SONALIKA-26	10053546AE	ASSY SHEET METAL BONNET BLUE PAINT	1	YES		MEMMMKSF544 629G26
1	SOLIS-26,SONALIKA-26 EXPORT MODELS	10053546BA	ASSEMBLY BONNET GT-26 EEC WITH BLUE PAINT	1	NO		MEMGMKSF554 589G26
1	SOLIS-26,SONALIKA-26	10053545AD	ASSY SHEET METAL BONNET RED PAINT	1			
1	SOLIS-26,SONALIKA-26	10053545AE	ASSY SHEET METAL BONNET RED PAINT	1	YES		MEMMMKSF544 629G26
1	SOLIS-26,SONALIKA-26 EXPORT MODELS	10053545BA	ASSY SHEET METAL BONNET RED PAINT	1	NO		MEMGMKSF554 589G26
2	SOLIS-26,SONALIKA-26	10051966AD	BONNET ASSY. GT HOMOLOGATION (W/O PAINT)	1			

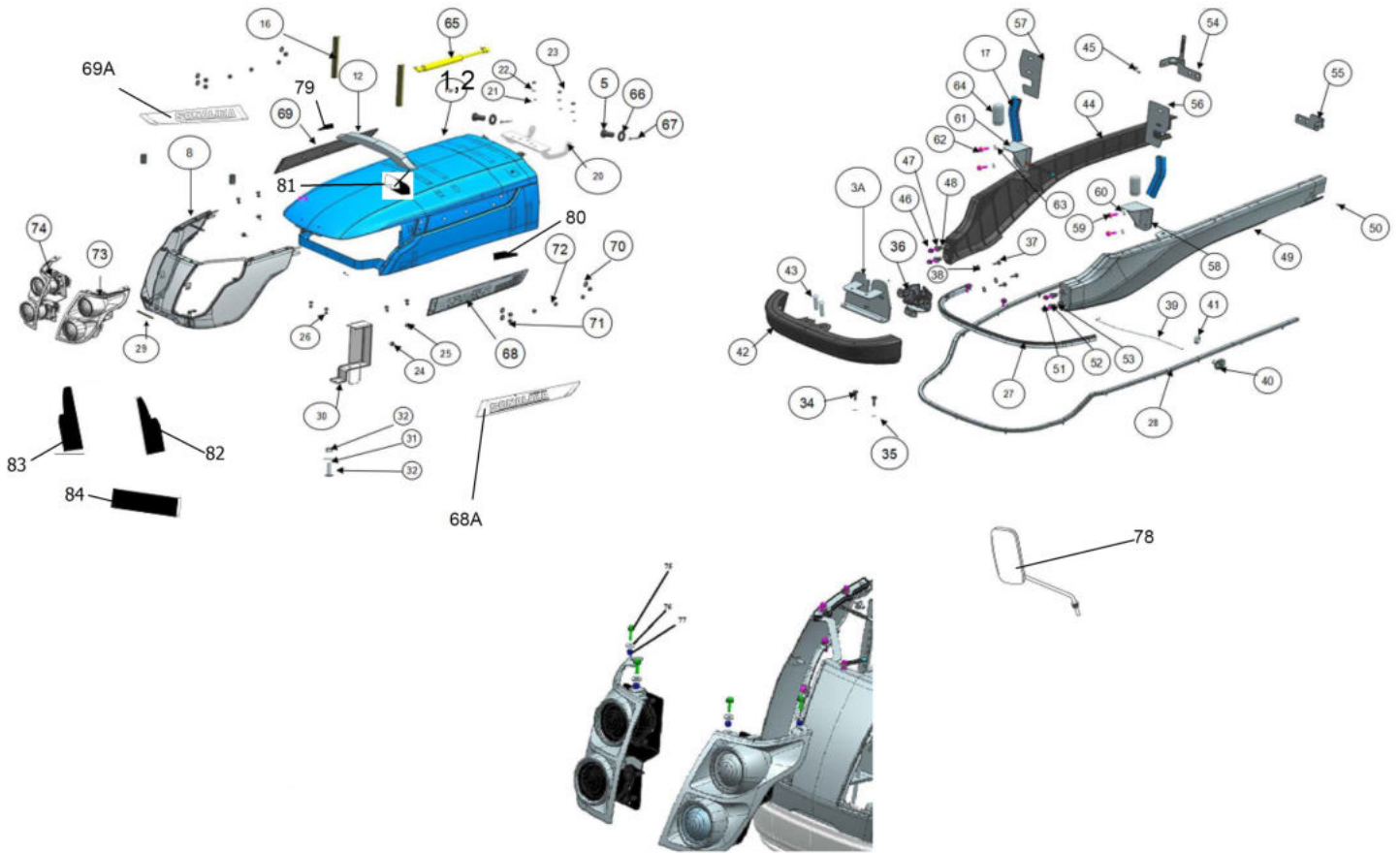
Sr.	Model	Item Code	Description	Qty	Int.	Remarks	Cut Off
2	SOLIS-26,SONALIKA-26	10053544AD	ASSY SHEET METAL BONNET W/O PAINT	1			
2	SOLIS-26,SONALIKA-26	10053560AD	ASSY SHEET METAL BONNET CED COATED	1		WITH 10053546AD	
2	SOLIS-26,SONALIKA-26	10053560AE	ASSY SHEET METAL BONNET CED COATED	1	YES		MEMMMKSF544629G26
2	SOLIS-26,SONALIKA-26	10053544AE	ASSY SHEET METAL BONNET W/O PAINT G.T-26	1	YES		MEMMMKSF544629G26
2	SOLIS-26,SONALIKA-26	10053544AD	ASSY SHEET METAL BONNET W/O PAINT	1	YES	PART MODIFIED FROM 10053560AD	KMKSU524440G26D
2	SOLIS-26,SONALIKA-26 EXPORT MODELS,SOLIS-24	10053544BA	ASSY SHEET METAL BONNET W/O PAINT G.T-26	1	NO		MEMGMKSF554589G26
2	SOLIS-26,SONALIKA-26 EXPORT MODELS,SOLIS-24	10053545BA	ASSY SHEET METAL BONNET RED PAINT	1		RED PAINTED CODE OF 10053544BA	
3	SOLIS-26,SONALIKA-26	-	BONNET LOCK	1		ASSY.	
3A	SOLIS-26,SONALIKA-26	10051568AB	BONNET LOCKING LEVER	1		SUB.PARTS OF S.NO.3	
3A	SOLIS-26,SONALIKA-26	10051568AD	BONNET LOCKING LEVER	1	YES	SUB. PARTS OF S.NO.3	MEMMYEDT624377WNT
3A	SOLIS-24	10051568AC	BONNET LOCKING LEVER	1		SUB.PARTS OF S.NO.3	
3B	SOLIS-26,SONALIKA-26	10051569AA	BONNET LOCK RESTING PLATE	1		SUB.PARTS OF S.NO.3	
3B	SOLIS-24	10051569AB	BONNET LOCK RESETING PLATE	1		SUB.PARTS OF S.NO.3	
3C	SOLIS-26,SONALIKA-26	10051570AB	BONNET LOCK SPRING	1		SUB.PARTS OF S.NO.3	
3C	SOLIS-24	10051570AC	BONNET LOCK SPRING	1		SUB.PARTS OF S.NO.3	
3D	SOLIS-26,SONALIKA-26, SOLIS-24	04040106025	HEX SCREW M6X25	1		SUB.PARTS OF S.NO.3	
3E	SOLIS-26,SONALIKA-26	04030600006	PLAIN WASHER DIA 6.4 *DIA 18 *1.5	1		SUB.PARTS OF S.NO.3	
3E	SOLIS-24	20003389AB	PLAIN WASHER A 6.4 IS:5370 STEEL	1		SUB.PARTS OF S.NO.3	
3F	SOLIS-26,SONALIKA-26, SOLIS-24	20003354AB	HEX NUT M6 -8 SA2JS	1		SUB.PARTS OF S.NO.3	
4	SOLIS-26,SONALIKA-26, SOLIS-24	04040706040	HEX BOLT M6*40	2		INTERCHANGEABLE WITH 300028444A (ROHS)	
4	SOLIS-26,SONALIKA-26, SOLIS-24	300028444A	HEX BOLT M6*40 SA4GS	2		(ROHS) INTERCHANGEABLE WITH 04040706040	
5	SOLIS-26,SONALIKA-26	04030800006	M/CD WASHER DIA 6.4 *DIA 12.4*1.6	2			
5	SOLIS-24	20004941AA	M/C WASHER DIA 6.4*DIA 12.4*1.6	2		INTERCHANGEABLE WITH 20004941AB (ROHS)	
5	SOLIS-24	20004941AB	M/C WASHER DIA 6.4*DIA 12.4*1.6	2		(ROHS) INTERCHANGEABLE WITH 20004941AA	
6	SOLIS-26,SONALIKA-26	04030400006	SPRING WASHER B-6	2			
6	SOLIS-24	20003669AC	SPRING WASHER B-6 TYPE-A IS: 3063-1972	2		INTERCHANGEABLE WITH 20005516AA	

Sr.	Model	Item Code	Description	Qty	Int.	Remarks	Cut Off
						(ROHS)	
6	SOLIS-24	20005516AA	SPRING WASHER B-6 TYPE A IS: 3067-1972	2	YES	(ROHS) INTERCHANGE ABLE WITH 20003669AC	
7	SOLIS-26,SONALIKA-26, SOLIS-24	20003354AB	HEX NUT M6 -8 SA2JS	2			
8	SOLIS-26,SONALIKA-26	-	FRONT MESH ASSY	1		ASSY.	
8	SOLIS-24	10051579AD	FRONT MESH GT BLACK PAINT	1			
9	SOLIS-26,SONALIKA-26	20003518AA	HEX FLANGE SCREW M6*1*20-8.8 SA2JS	12		INTERCHANGE ABLE WITH 20005541AA (ROHS)	
9	SOLIS-24	20003518AB	HEX FLANGE SCREW M6*1*20-8.8 SA4JS	12			
9	SOLIS-26,SONALIKA-26	20005541AA	HEX FLANGE SCREW M6*1*20 -8.8 SA4GS	12	YES	(ROHS) INTERCHANGE ABLE WITH 20003518AA	
10	SOLIS-26,SONALIKA-26	04030600006	PLAIN WASHER DIA 6.4 *DIA 18 *1.5	12			
10	SOLIS-24	20003389AB	PLAIN WASHER A 6.4 IS:5370 STEEL	12			
11	SOLIS-26,SONALIKA-26	04041000006	HEX NYLOC NUT M6	12		INTERCHANGE ABLE WITH 20004915AB (ROHS)	
11	SOLIS-24	20004915AA	HEX NYLOC NUT M6 8 SA4JS	12			
11	SOLIS-26,SONALIKA-26	20004915AB	HEX NYLOC NUT M6 8	12	YES	(ROHS) INTERCHANGE ABLE WITH 04041000006	
12	SOLIS-26,SONALIKA-26	10053334AA	TOP RADIATOR SEALING FOAM	1			
12	SOLIS-26,SONALIKA-26	10053334BA	TOP RADIATOR SEALING FOAM	1			
12	SOLIS-24	10053334BB	TOP RADIATOR SEALING FOAM	1			
13	SOLIS-26,SONALIKA-26	10053720AA	BONNET BEEDING INNER RH	1		DELETED	
14	SOLIS-26,SONALIKA-26	10053752AA	BONNET BEEDING INNER	1			
14	SOLIS-24	10053752AB	BONNET BEEDING INNER	1			
15	SOLIS-26,SONALIKA-26	10051971AB	BONNET BEEDING	1			
15	SOLIS-26,SONALIKA-26, SOLIS-24	10055480AA	BONNET BEADING	1	YES		MEMGMKSF554 589G26
16	SOLIS-26,SONALIKA-26	10053699AA	BONNET SIDE SEALING FOAM LH	1			
16	SOLIS-26,SONALIKA-26	10053699AB	BONNET SIDE SEALING FOAM LH	1			
16	SOLIS-24	10053699AC	BONNET SIDE SEALING FOAM LH	1			
17	SOLIS-26,SONALIKA-26	10053700AA	BONNET SIDE SEALING FOAM RH	1			
17	SOLIS-26,SONALIKA-26	10053700AB	BONNET SIDE SEALING FOAM RH	1			
17	SOLIS-24	10053700AC	BONNET SIDE SEALING FOAM RH	1			
18	SOLIS-26,SONALIKA-26	10054537AA	HEAT INSULATION SHEET	1		VIEW NOT SHOWN	

Sr.	Model	Item Code	Description	Qty	Int.	Remarks	Cut Off
18	SOLIS-24	10054537AB	HEAT INSULATION SHEET	1			
19	SOLIS-26,SONALIKA-26, SOLIS-24	10055174AA	EROSTAT MS 930 (SEALANT FOR INSULATION	20		IN ML,NOT SHOWN	

15121A-1/5

BONNET ASSY.



Sr.	Model	Item Code	Description	Qty	Int.	Remarks	Cut Off
1	ALL MODELS	10057539AD	BONNET ASSEMBLY WITH BLUE PAINT	1			
1	ALL MODELS	10057540AD	BONNET ASSEMBLY WITH RED PAINT	1			
2	ALL MODELS	10057538AD	BONNET ASSEMBLY CED COATED	1			
2	ALL MODELS	10057537AD	BONNET ASSEMBLY W/O PAINT	1			
3A	ALL MODELS	10057503AC	BONNET LOCK MTG BRKT ASSY	1		INTERCHANGEABLE WITH 300003771B (ROHS)	
3A	ALL MODELS	300003771B	BONNET LOCK MTG BRKT ASSY	1		(ROHS) INTERCHANGEABLE WITH 10057503AC	
5	ALL MODELS	10057560AA	BONNET HINGE PIN	2		INTERCHANGEABLE WITH 300003799A	

Sr.	Model	Item Code	Description	Qty	Int.	Remarks	Cut Off
						(ROHS)	
5	ALL MODELS	300003799A	BONNET HINGE PIN	2		(ROHS) INTERCHANGE ABLE WITH 10057560AA	
8	ALL MODELS	10057491AC	FRONT MESH ASSY(W/O PAINT)	1			
8	ALL MODELS	10057492AC	FRONT MESH ASSY(CED COATED)	1			
8	ALL MODELS	10057493AC	FRONT MESH ASSY(BLACK PAINT)	1			
12	ALL MODELS	10057546AB	BONNET TOP SEALING FOAM	1			
12	SONALIKA-26 FACELIFT	300059470B	BONNET TOP SEALING FOAM	1			
12	SOLIS-26 FACELIFT	300059470B	BONNET TOP SEALING FOAM	1	YES		FOR EU MODELS- MEMRMKSNSF KH05625 FOR NON EU MODELS- FMKSS852097G 26
16	ALL MODELS	10086022AC	BEADING RADIATOR SIDE SEALING UPPER	2			
16	SOLIS-26 FACELIFT	300095662A	BEADING FOR SEALING PLATE	2	YES		FOR EU MODELS- MEMRMKSNSF KH05625 FOR NON EU MODELS- FMKSS852097G 26
17	ALL MODELS	10057567AB	BEADING RADIATOR SIDE SEALING LOWER	2			
18	ALL MODELS	300027667A	HEAT INSULATION SHEET	1		VIEW NOT SHOWN	
19	ALL MODELS	10055174AA	EROSTAT MS 930 (SEALANT FOR INSULATION	20		VIEW NOT SHOWN	
20	ALL MODELS	300009407B	BONNET HINGE ASSY W/O PAINT	1			
20	ALL MODELS	300009408B	BONNET HINGE ASSY CED COATED	1			
20	ALL MODELS	300009409B	BONNET HINGE ASSY WITH BLUE PAINT	1			
20	ALL MODELS	300009410B	BONNET HINGE ASSY WITH RED PAINT	1			
21	SOLIS-26 FACELIFT	04041000008	HEX NYLOCK NUT M8*1.25	3		INTERCHANGE ABLE WITH 20004917AB (ROHS)	
21	SOLIS-24 EPA	20004917AB	HEX NYLOCK NUT M8*1.25	3			
21	SOLIS-26 FACELIFT	20004917AB	HEX NYLOC NUT M8*1.25 8	3		(ROHS) INTERCHANGE ABLE WITH 04041000008	
21	SONALIKA-26 FACELIFT	04041000008	HEX NYLOCK NUT M8*1.25	3			
22	SOLIS-26 FACELIFT	04030600008	plain washer DIA 8.4 *DIA 17*1.6	3			
22	SOLIS-24 EPA	20004935AB	plain washer DIA 8.4 *DIA 17*1.6	3			

Sr.	Model	Item Code	Description	Qty	Int.	Remarks	Cut Off
22	SONALIKA-26 FACELIFT	04030600008	plain washer DIA 8.4 *DIA 17*1.6	3			
23	SOLIS-26 FACELIFT	04030400008	SPRING WASHER B-8	3		INTERCHANGEABLE WITH 20005517AA (ROHS)	
23	SOLIS-24 EPA	20005517AA	SPRING WASHER B-8 TYPE A IS: 3067-1972	3			
23	SOLIS-26 FACELIFT	20005517AA	SPRING WASHER B-8 TYPE A IS: 3067-1972	3	YES	(ROHS) INTERCHANGEABLE WITH 04030400008	
23	SONALIKA-26 FACELIFT	04030400008	SPRING WASHER B-8	3			
24	SOLIS-26 FACELIFT	20003518AA	HEX FLANGE SCREW M6*1*20-8.8 SA2JS	10		INTERCHANGEABLE WITH 20005541AA (ROHS)	
24	SOLIS-24 EPA	20005541AA	HEX FLANGE SCREW M6*1*20 -8.8 SA4GS	10			
24	SOLIS-26 FACELIFT	20005541AA	HEX FLANGE SCREW M6*1*20 -8.8 SA4GS	10	YES	(ROHS) INTERCHANGEABLE WITH 20003518AA	
24	SONALIKA-26 FACELIFT	20003518AA	HEX FLANGE SCREW M6*1*20-8.8 SA2JS	10			
25	SOLIS-26 FACELIFT	04030600006	PLAIN WASHER DIA 6.4 *DIA 18 *1.5	10			
25	SOLIS-24 EPA	20005524AA	PLAIN WASHER DIA 6.4 *DIA 18 *1.5	10			
25	SONALIKA-26 FACELIFT	04030600006	PLAIN WASHER DIA 6.4 *DIA 18 *1.5	10			
26	SOLIS-26 FACELIFT	04041000006	HEX NYLOC NUT M6	6		INTERCHANGEABLE WITH 20004915AB (ROHS)	
26	SOLIS-24 EPA	20004915AB	HEX NYLOC NUT M6	6			
26	SOLIS-26 FACELIFT	20004915AB	HEX NYLOC NUT M6 8	6	YES	(ROHS) INTERCHANGEABLE WITH 04041000006	
26	SONALIKA-26 FACELIFT	04041000006	HEX NYLOC NUT M6	6			
27	ALL MODELS	10057569AD	BEADING BONNET LOWER SEALING	1			
27	SONALIKA-26 FACELIFT	300104152A	BONNET BEEDING LOWER	1			
27	SOLIS-26 FACELIFT	300104152A	BONNET BEEDING LOWER	1	YES		FOR EU MODELS- MEMRMKSNSF KH05625 FOR NON EU MODELS- FMKSS852097G 26
28	ALL MODELS	10057565AC	BEADING FOR CLADDING	1			
29	ALL MODELS	300030619A	MESH SEALING BEEDING -GT	1			
29	ALL MODELS	300037406A	RUBBER BEEDING	1	YES		MEMRMGSNSJH02493
30	ALL MODELS	10057499AC	LOCK STRICKER PIN ASSY	1		INTERCHANGEABLE WITH 300028449B	

Sr.	Model	Item Code	Description	Qty	Int.	Remarks	Cut Off
						(ROHS)	
30	ALL MODELS	300028449B	LOCK STRICKER PIN ASSY	1		(ROHS) INTERCHANGE ABLE WITH 10057499AC	
31	ALL MODELS	20004885AA	CROSS SLOTTED TRUSS HEAD SCREW M6X20	1		INTERCHANGE ABLE WITH 200000130A (ROHS)	
31	ALL MODELS	200000130A	CROSS SLOTTED TRUSS HEAD SCREW M6X20	1	YES	(ROHS) INTERCHANGE ABLE WITH 20004885AA	
32	SOLIS-26 FACELIFT	04030600006	PLAIN WASHER DIA 6.4 *DIA 18 *1.5	1			
32	SOLIS-24 EPA	20005524AA	PLAIN WASHER DIA 6.4 *DIA 18 *1.5	1			
32	SONALIKA-26 FACELIFT	04030600006	PLAIN WASHER DIA 6.4 *DIA 18 *1.5	1			
33	SOLIS-26 FACELIFT	04041000006	HEX NYLOC NUT M6	1		INTERCHANGE ABLE WITH 20004915AB (ROHS)	
33	SOLIS-24 EPA	20004915AB	HEX NYLOC NUT M6	1			
33	SOLIS-26 FACELIFT	20004915AB	HEX NYLOC NUT M6 8	1	YES	(ROHS) INTERCHANGE ABLE WITH 04041000006	
33	SONALIKA-26 FACELIFT	04041000006	HEX NYLOC NUT M6	1			
34	SOLIS-26 FACELIFT	20003518AA	HEX FLANGE SCREW M6*1*20-8.8 SA2JS	2		INTERCHANGE ABLE WITH 20005541AA (ROHS)	
34	SOLIS-24 EPA	20005541AA	HEX FLANGE SCREW M6*1*20-8.8 SA4GS	2			
34	SOLIS-26 FACELIFT	20005541AA	HEX FLANGE SCREW M6*1*20 -8.8 SA4GS	2	YES	(ROHS) INTERCHANGE ABLE WITH 20003518AA	
34	SONALIKA-26 FACELIFT	20003518AA	HEX FLANGE SCREW M6*1*20-8.8 SA2JS	2			
35	SOLIS-26 FACELIFT	04030400006	SPRING WASHER B-6	2			
35	SOLIS-24 EPA	20005516AA	SPRING WASHER B-6 TYPE A IS: 3067-1972	2			
35	SONALIKA-26 FACELIFT	04030400006	SPRING WASHER B-6	2			
36	ALL MODELS	10057527AA	LOCK ASSY	1			
37	SOLIS-26 FACELIFT	20003518AA	HEX FLANGE SCREW M6*1*20-8.8 SA2JS	3		INTERCHANGE ABLE WITH 20005541AA (ROHS)	
37	SOLIS-24 EPA	20005541AA	HEX FLANGE SCREW M6*1*20-8.8 SA4GS	3			
37	SOLIS-26 FACELIFT	20005541AA	HEX FLANGE SCREW M6*1*20 -8.8 SA4GS	3	YES	(ROHS) INTERCHANGE ABLE WITH 20003518AA	
37	SONALIKA-26 FACELIFT	20003518AA	HEX FLANGE SCREW M6*1*20-8.8 SA2JS	3			
38	SOLIS-26 FACELIFT	04030600006	PLAIN WASHER DIA 6.4 *DIA 18 *1.5	3			

Sr.	Model	Item Code	Description	Qty	Int.	Remarks	Cut Off
38	SOLIS-24 EPA	20005524AA	PLAIN WASHER DIA 6.4 *DIA 18 *1.5	3			
38	SONALIKA-26 FACELIFT	04030600006	PLAIN WASHER DIA 6.4 *DIA 18 *1.5	3			
39	ALL MODELS	300009627A	LOCK ACTUATING ROD	1			
40	ALL MODELS	300009533A	KNOB FOR BONNET LOCK	1			
40	SONALIKA-26 FACELIFT	300027891A	KNOB FOR BONNET LOCK	1			
41	ALL MODELS	20003352AA	HEX NUT M4-8 SA3NS	1		INTERCHANGE ABLE WITH 300037247A (ROHS)	
41	ALL MODELS	300037247A	HEX NUT M4-8 SA4G	1		(ROHS) INTERCHANGE ABLE WITH 20003352AA	
42	ALL MODELS	10057467AE	CLADDING FRONT	1			
43	ALL MODELS	20004652AA	TRUSS PHILIPS M/C SCREW M6X20	2		INTERCHANGE ABLE WITH 20004652AB (ROHS)	
43	ALL MODELS	20004652AB	TRUSS PHILIPS M/C SCREW M6X20	2		(ROHS) INTERCHANGE ABLE WITH 20004652AA	
44	ALL MODELS	10057470AD	SIDE CLADDING ASSY. RH	1			
45	ALL MODELS	20004652AA	TRUSS PHILIPS M/C SCREW M6X20	2		INTERCHANGE ABLE WITH 20004652AB (ROHS)	
45	ALL MODELS	20004652AB	TRUSS PHILIPS M/C SCREW M6X20	2		(ROHS) INTERCHANGE ABLE WITH 20004652AA	
46	SOLIS-26 FACELIFT	20003518AA	HEX FLANGE SCREW M6*1*20-8.8 SA2JS	2		INTERCHANGE ABLE WITH 20005541AA (ROHS)	
46	SOLIS-24 EPA	20005541AA	HEX FLANGE SCREW M6*1*20-8.8 SA4GS	2			
46	SOLIS-26 FACELIFT	20005541AA	HEX FLANGE SCREW M6*1*20 -8.8 SA4GS	2	YES	(ROHS) INTERCHANGE ABLE WITH 20003518AA	
46	SONALIKA-26 FACELIFT	20003518AA	HEX FLANGE SCREW M6*1*20-8.8 SA2JS	2			
47	SOLIS-26 FACELIFT	04030600006	PLAIN WASHER DIA 6.4 *DIA 18 *1.5	4			
47	SOLIS-24 EPA	20005524AA	PLAIN WASHER DIA 6.4 *DIA 18 *1.5	4			
47	SONALIKA-26 FACELIFT	04030600006	PLAIN WASHER DIA 6.4 *DIA 18 *1.5	4			
48	SOLIS-26 FACELIFT	04041000006	HEX NYLOC NUT M6	2		INTERCHANGE ABLE WITH 20004915AB (ROHS)	
48	SOLIS-24 EPA	20004915AB	HEX NYLOC NUT M6	2			
48	SOLIS-26 FACELIFT	20004915AB	HEX NYLOC NUT M6 8	2	YES	(ROHS) INTERCHANGE ABLE WITH 04041000006	

Sr.	Model	Item Code	Description	Qty	Int.	Remarks	Cut Off
48	SONALIKA-26 FACELIFT	04041000006	HEX NYLOC NUT M6	2			
49	ALL MODELS	10057469AD	SIDE CLADDING ASSY. LH	1			
50	ALL MODELS	20004652AA	TRUSS PHILIPS M/C SCREW M6X20	2		INTERCHANGE ABLE WITH 20004652AB (ROHS)	
50	ALL MODELS	20004652AB	TRUSS PHILIPS M/C SCREW M6X20	2		(ROHS) INTERCHANGE ABLE WITH 20004652AA	
51	SOLIS-26 FACELIFT	20003518AA	HEX FLANGE SCREW M6*1*20-8.8 SA2JS	2		INTERCHANGE ABLE WITH 20005541AA (ROHS)	
51	SOLIS-24 EPA	20005541AA	HEX FLANGE SCREW M6*1*20-8.8 SA4GS	2			
51	SOLIS-26 FACELIFT	20005541AA	HEX FLANGE SCREW M6*1*20 -8.8 SA4GS	2	YES	(ROHS) INTERCHANGE ABLE WITH 20003518AA	
51	SONALIKA-26 FACELIFT	20003518AA	HEX FLANGE SCREW M6*1*20-8.8 SA2JS	2			
52	SOLIS-26 FACELIFT	04030600006	PLAIN WASHER DIA 6.4 *DIA 18 *1.5	4			
52	SOLIS-24 EPA	20005524AA	PLAIN WASHER DIA 6.4 *DIA 18 *1.5	4			
52	SONALIKA-26 FACELIFT	04030600006	PLAIN WASHER DIA 6.4 *DIA 18 *1.5	4			
53	SOLIS-26 FACELIFT	04041000006	HEX NYLOC NUT M6	2		INTERCHANGE ABLE WITH 20004915AB (ROHS)	
53	SOLIS-24 EPA	20004915AB	HEX NYLOC NUT M6	2			
53	SOLIS-26 FACELIFT	20004915AB	HEX NYLOC NUT M6 8	2	YES	(ROHS) INTERCHANGE ABLE WITH 04041000006	
53	SONALIKA-26 FACELIFT	04041000006	HEX NYLOC NUT M6	2			
54	ALL MODELS	10057494AC	CLADDING MTG BRKT RH	1			
55	ALL MODELS	10057496AC	CLADDING MTG BRKT LH	1			
56	ALL MODELS	10057547AB	FIXED SIDE SEALING PLATE LH	1			
57	ALL MODELS	300027628A	FIXED SIDE SEALING PLATE RH	1			
58	ALL MODELS	10057555AA	GROMET RESTING BRKT LH	1			
59	SOLIS-26 FACELIFT	20003518AA	HEX FLANGE SCREW M6*1*20-8.8 SA2JS	2		INTERCHANGE ABLE WITH 20005541AA (ROHS)	
59	SOLIS-24 EPA	20005541AA	HEX FLANGE SCREW M6*1*20-8.8 SA4GS	2			
59	SOLIS-26 FACELIFT	20005541AA	HEX FLANGE SCREW M6*1*20 -8.8 SA4GS	2	YES	(ROHS) INTERCHANGE ABLE WITH 20003518AA	
59	SONALIKA-26 FACELIFT	20003518AA	HEX FLANGE SCREW M6*1*20-8.8 SA2JS	2			
60	SOLIS-26 FACELIFT	04030400006	SPRING WASHER B-6	2			

Sr.	Model	Item Code	Description	Qty	Int.	Remarks	Cut Off
60	SOLIS-24 EPA	20005516AA	SPRING WASHER B-6 TYPE A IS: 3067-1972	2			
60	SONALIKA-26 FACELIFT	04030400006	SPRING WASHER B-6	2			
61	ALL MODELS	10057556AA	GROMET RESTING BRKT RH	1			
62	SOLIS-26 FACELIFT	20003518AA	HEX FLANGE SCREW M6*1*20-8.8 SA2JS	2		INTERCHANGE ABLE WITH 20005541AA (ROHS)	
62	SOLIS-24 EPA	20005541AA	HEX FLANGE SCREW M6*1*20-8.8 SA4GS	2			
62	SOLIS-26 FACELIFT	20005541AA	HEX FLANGE SCREW M6*1*20 -8.8 SA4GS	2	YES	(ROHS) INTERCHANGE ABLE WITH 20003518AA	
62	SONALIKA-26 FACELIFT	20003518AA	HEX FLANGE SCREW M6*1*20-8.8 SA2JS	2			
63	SOLIS-26 FACELIFT	04030400006	SPRING WASHER B-6	2			
63	SOLIS-24 EPA	20005516AA	SPRING WASHER B-6 TYPE A IS: 3067-1972	2			
63	SONALIKA-26 FACELIFT	04030400006	SPRING WASHER B-6	2			
64	ALL MODELS	10071239AB	ADJUSTABLE GROMMET	2			
64	SONALIKA-26 FACELIFT	10071239AD	ADJUSTABLE GROMMET	2			
65	ALL MODELS	10057533AB	GAS SPRING ASSEMBLY	1			
66	SOLIS-26 FACELIFT	20000100AA	M/CD WASHER 10.5*21*2	2		INTERCHANGE ABLE WITH 20005625AA (ROHS)	
66	SOLIS-24 EPA	20005625AA	M/CD WASHER 10.5*21*2	2			
66	SOLIS-26 FACELIFT	20005625AA	M/CD WASHER 10.5*21*2	2	YES	(ROHS) INTERCHANGE ABLE WITH 20000100AA	
66	SONALIKA-26 FACELIFT	20000100AA	M/CD WASHER 10.5*21*2	2			
67	SOLIS-26 FACELIFT	20003676AB	SPLIT PIN DIA 2*25	2		INTERCHANGE ABLE WITH 20005526AA (ROHS)	
67	SOLIS-24 EPA	20005526AA	SPLIT PIN DIA 2*25	2			
67	SOLIS-26 FACELIFT	20005526AA	SPLIT PIN DIA 2*25	2		(ROHS) INTERCHANGE ABLE WITH 20003676AB	
67	SONALIKA-26 FACELIFT	20003676AB	SPLIT PIN DIA 2*25	2			
68	ALL MODELS	10057544AD	SOLIS SIDE BRANDING BONNET LH	1			
68	ALL MODELS	10057544AC	SOLIS SIDE BRANDING BONNET LH	1			
68	ALL MODELS	10057544AE	SOLIS SIDE BRANDING BONNET LH	1	YES		FOR NON EU MODELS- CMKSG801611G 26 FOR EU MODELS- MEMRMGSNSK

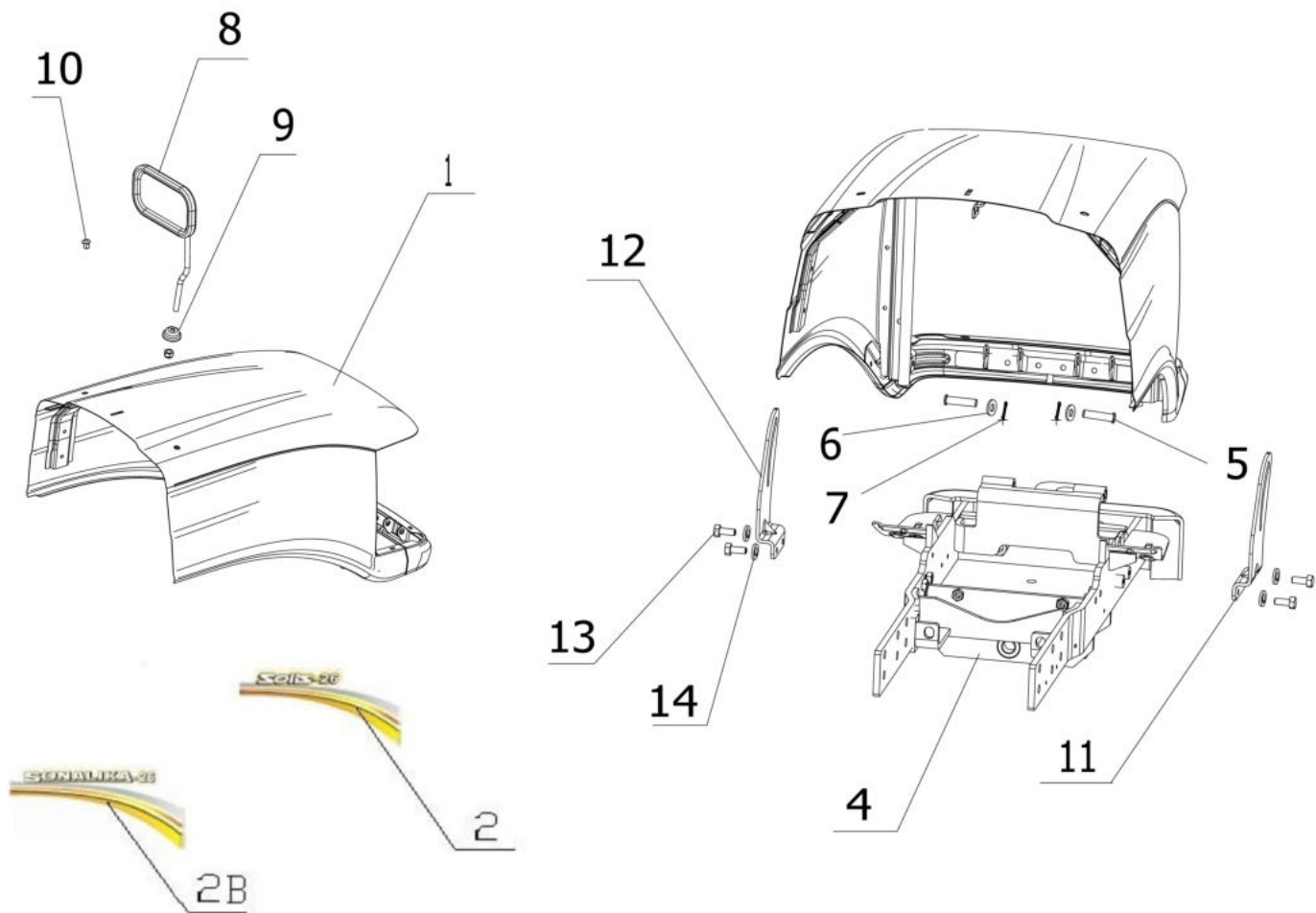
Sr.	Model	Item Code	Description	Qty	Int.	Remarks	Cut Off
							JH02853
68A	SONALIKA-26 FACELIFT	300026415B	SONALIKA SIDE BRANDING BONNET LH	1			
69	ALL MODELS	10057545AD	SOLIS SIDE BRANDING BONNET RH	1			
69	ALL MODELS	10057545AC	SOLIS SIDE BRANDING BONNET RH	1			
69	ALL MODELS	10057545AE	SOLIS SIDE BRANDING BONNET RH	1	YES		FOR NON EU MODELS- CMKSG801611G 26 FOR EU MODELS- MEMRMGSNSK JH02853
69A	SONALIKA-26 FACELIFT	300026418B	SONALIKA SIDE BRANDING BONNET RH	1			
70	SOLIS-26 FACELIFT	04030600006	PLAIN WASHER DIA 6.4 *DIA 18 *1.5	6			
70	SOLIS-24 EPA	20005524AA	PLAIN WASHER DIA 6.4 *DIA 18 *1.5	6			
70	SONALIKA-26 FACELIFT	04030600006	PLAIN WASHER DIA 6.4 *DIA 18 *1.5	6			
71	SOLIS-26 FACELIFT	20003354AB	HEX NUT M6 -8 SA2JS	6			
71	SOLIS-24 EPA	20005491AA	HEX NUT M6 -8 SA4GS	6			
71	SONALIKA-26 FACELIFT	20003354AB	HEX NUT M6 -8 SA2JS	6			
72	SOLIS-26 FACELIFT	10045780AB	RETAINING WASHER DIA 10	6		INTERCHANGEABLE WITH 300003841A (ROHS)	
72	SOLIS-24 EPA	300003841A	RETAINING WASHER DIA 10	6			
72	SOLIS-26 FACELIFT	300003841A	RETAINING WASHER DIA 10	6	YES	(ROHS) INTERCHANGEABLE WITH 10045780AB	
72	SONALIKA-26 FACELIFT	10045780AB	RETAINING WASHER DIA 10	6			
73	SOLIS-26 FACELIFT	10057643AB	HEAD LAMP (LHD) LH	1		FOR LEFT HAND DRIVE MODELS	
73	SOLIS-26 FACELIFT	10057645AB	HEAD LAMP (RHD) LH	1		FOR RIGHT HAND DRIVE MODELS	
73	SOLIS-24 EPA	300011202A	HEAD LAMP (LHD) SAE MARK LH	1			
73	SONALIKA-26 FACELIFT	10057643AB	HEAD LAMP (LHD) LH	1		FOR LEFT HAND DRIVE MODELS	
74	SOLIS-26 FACELIFT	10057644AB	HEAD LAMP (LHD) RH	1		FOR LEFT HAND DRIVE MODELS	
74	SOLIS-26 FACELIFT	10057646AB	HEAD LAMP (RHD) RH	1		FOR RIGHT HAND DRIVE MODELS	
74	SOLIS-24 EPA	300011201A	HEAD LAMP (LHD) SAE MARK RH	1			
74	SONALIKA-26 FACELIFT	10057644AB	HEAD LAMP (LHD) RH	1		FOR LEFT HAND DRIVE MODELS	

Sr.	Model	Item Code	Description	Qty	Int.	Remarks	Cut Off
75	SOLIS-26 FACELIFT	20003518AA	HEX FLANGE SCREW M6*1*20-8.8 SA2JS	6		INTERCHANGEABLE WITH 20005541AA (ROHS)	
75	SOLIS-24 EPA	20005541AA	HEX FLANGE SCREW M6*1*20-8.8 SA4GS	6			
75	SOLIS-26 FACELIFT	20005541AA	HEX FLANGE SCREW M6*1*20 -8.8 SA4GS	6	YES	(ROHS) INTERCHANGEABLE WITH 20003518AA	
75	SONALIKA-26 FACELIFT	20003518AA	HEX FLANGE SCREW M6*1*20-8.8 SA2JS	6			
76	SOLIS-26 FACELIFT	04030600006	PLAIN WASHER DIA 6.4 *DIA 18 *1.5	8			
76	SOLIS-24 EPA	20005524AA	PLAIN WASHER DIA 6.4 *DIA 18 *1.5	8			
76	SONALIKA-26 FACELIFT	04030600006	PLAIN WASHER DIA 6.4 *DIA 18 *1.5	8			
77	SOLIS-26 FACELIFT	04041000006	HEX NYLOC NUT M6	8		INTERCHANGEABLE WITH 20004915AB (ROHS)	
77	SOLIS-24 EPA	20004915AB	HEX NYLOC NUT M6	8			
77	SOLIS-26 FACELIFT	20004915AB	HEX NYLOC NUT M6 8	8	YES	(ROHS) INTERCHANGEABLE WITH 04041000006	
77	SONALIKA-26 FACELIFT	04041000006	HEX NYLOC NUT M6	8			
78	SONALIKA-26 FACELIFT	300032527A	REAR VIEW MIRROR ASSY LH	1			
79	SONALIKA-26 FACELIFT	300102552A	BONNET SEALING FOAM LH	1			
80	SONALIKA-26 FACELIFT	300102970A	BONNET SEALING FOAM LH	1			
81	SOLIS-26 FACELIFT	300102890A	BONNET TOP SIDE FOAM LH	1		NEW PART ADDED	FOR EU MODELS-MEMRMKSNSF KH05625 FOR NON EU MODELS-FMKSS852097G 26
82	SOLIS-26 FACELIFT	300102552A	BONNET SEALING FOAM LH	1		NEW PART ADDED	FOR EU MODELS-MEMRMKSNSF KH05625 FOR NON EU MODELS-FMKSS852097G 26
83	SOLIS-26 FACELIFT	300102970A	BONNET SEALING FOAM LH	1		NEW PART ADDED	FOR EU MODELS-MEMRMKSNSF KH05625 FOR NON EU MODELS-FMKSS852097G 26
84	SOLIS-26 FACELIFT	300095663A	SEALING FOAM	1		NEW PART ADDED	FOR EU MODELS-MEMRMKSNSF

Sr.	Model	Item Code	Description	Qty	Int.	Remarks	Cut Off
						KH05625 FOR NON EU MODELS- FMKSS852097G	26

15130A-1/1

BONNET ASSY WITH F.A.B.



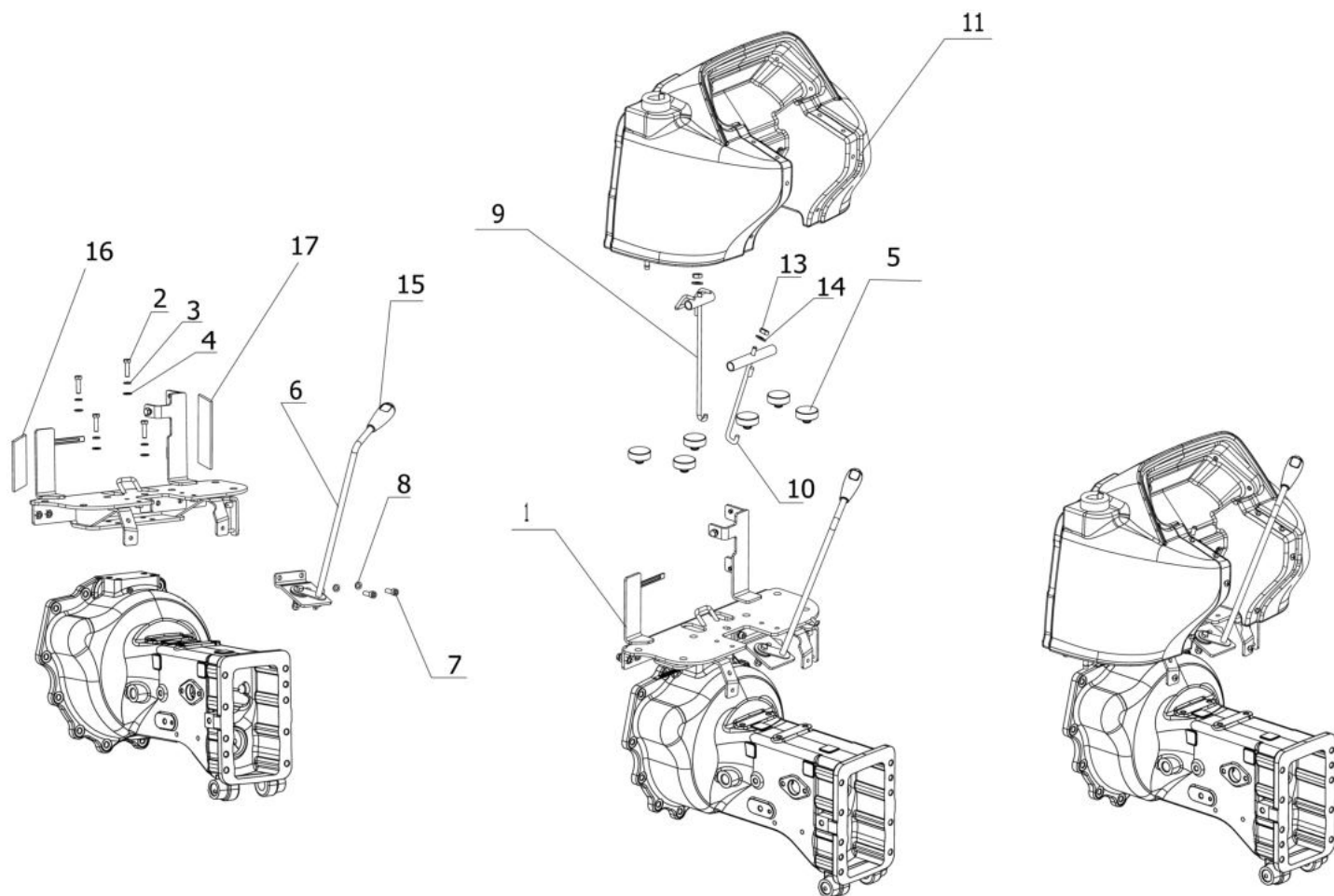
Sr.	Model	Item Code	Description	Qty	Int.	Remarks	Cut Off
1	SOLIS-26,SONALIKA-26	-	BONNETASSY	1			
2	SOLIS-26	10053396AA	BONNET STICKER SOLIS-26 RH	1			
2B	SONALIKA-26	10055051AA	Sonalika 26 sticker for bonnet RH	1			
2	SOLIS-26	10053395AA	BONNET STICKER SOLIS-26 LH	1			
2B	SONALIKA-26	10055050AA	Sonalika 26 sticker for bonnet LH	1			
4	SOLIS-26,SONALIKA-26	10053384AB	FRT AXLE BKT GT26 EEC	1			
4	SOLIS-26,SONALIKA-26	10053384AD	FRT AXLE BKT GT26 EEC	1			
4	SOLIS-26,SONALIKA-26, SOLIS-24	10053384AE	FRT AXLE BKT GT26 EEC	1	YES		MEMGMKSF554 589G26
5	SOLIS-26,SONALIKA-26	10051580AA	HINGE PIN - G.T	2		INTERCHANGE ABLE WITH 10051580AC	

Sr.	Model	Item Code	Description	Qty	Int.	Remarks	Cut Off
						(ROHS)	
5	SOLIS-24	10051580AC	HINGE PIN - G.T	2			
5	SOLIS-26,SONALIKA-26	10051580AC	HINGE PIN - G.T	2		(ROHS) INTERCHANGE ABLE WITH 10051580AA	
6	SOLIS-26,SONALIKA-26	20004304AA	PUNCHED WASHER A14 IS:2016	2		INTERCHANGE ABLE WITH 20005512AA (ROHS)	
6	SOLIS-24	20004304AB	PUNCHED WASHER A14 IS:2016	2			
6	SOLIS-26,SONALIKA-26	20005512AA	PUNCHED WASHER A14 IS:2016	2		(ROHS) INTERCHANGE ABLE WITH 20004304AA	
7	SOLIS-26,SONALIKA-26	04010103025	SPLIT PIN DIA 3*25	2		INTERCHANGE ABLE WITH 20005528AA (ROHS)	
7	SOLIS-24	20003677AB	SPLIT PIN DIA 3.2*25	2			
7	SOLIS-26,SONALIKA-26	20005528AA	SPLIT PIN DIA 3.2*25	2		(ROHS) INTERCHANGE ABLE WITH 04010103025	
8	SOLIS-26,SONALIKA-26 (ALL MODELS WITH RH DRIVE)	10053767AA	REAR VIEW MIRROR RH	1		RH DRIVE	
8	SOLIS-26,SONALIKA-26 (ALL MODELS WITH RH DRIVE) EXCEPT NEPALSPL	10053767AC	REAR VIEW MIRROR RH	1	YES	RH DRIVE	MEMMMKSF544 629G26
8	SOLIS-26,SONALIKA-26 EXPORT MODELS	10052866AC	REAR VIEW MIRROR WITH EEC	1	NO	FITTED WITH 10053544BA	MEMGMKSF554 589G26
8	SOLIS-26,SONALIKA-26 (ALL MODELS WITH LH DRIVE)	10053766AA	REAR VIEW MIRROR(LH)	1		LH DRIVE	
8	SOLIS-26,SONALIKA-26 (ALL MODELS WITH LH DRIVE) EXCEPT NEPAL SPL	10053766AC	REAR VIEW MIRROR(LH)	1	YES	LH DRIVE	MEMMMKSF544 629G26
8	SOLIS-26,SONALIKA-26 (ALL MODELS WITH LH DRIVE) EXPORT MODELS	10051965AD	REAR VIEW MIRROR(LH)	1	NO	FITTED WITH 10053544BA	MEMGMKSF554 589G26
8	SOLIS-24	10052866AC	REAR VIEW MIRROR WITH EEC	1			
8	SOLIS-26,SONALIKA-26	10052866AA	REAR VIEW MIRROR WITH EEC	1			
8	SOLIS-26,SONALIKA-26	10052866AC	REAR VIEW MIRROR WITH EEC	1	YES		MEMBMGST608 530G
8	SOLIS-26,SONALIKA-26	10051965AB	REAR VIEW MIRROR(LH)	1			
8	SOLIS-26,SONALIKA-26	10051965AD	REAR VIEW MIRROR(LH)	1	YES		MEMBMGST608 530G
8	SOLIS-26,SONALIKA-26 EXPORT MODELS	10052866AC	REAR VIEW MIRROR WITH EEC	1	NO	FITTED WITH 10053544BA	MEMGMKSF554 589G26
8	SOLIS-26,SONALIKA-26	10052866AA	REAR VIEW MIRROR WITH EEC	1			
8	SOLIS-26,SONALIKA-26	10052866AC	REAR VIEW MIRROR WITH EEC	1	YES		MEMBMGST608 530G
9	SOLIS-26,SONALIKA-26	10053795AA	GROOMET FOR REAR VIEW MIRROR	1		INTERCHANGE ABLE WITH	

Sr.	Model	Item Code	Description	Qty	Int.	Remarks	Cut Off
						10053795AB (ROHS)	
9	SOLIS-24	10053795AB	GROOMET FOR REAR VIEW MIRROR	1			
9	SOLIS-26,SONALIKA-26	10053795AB	GROOMET FOR REAR VIEW MIRROR	1	YES	(ROHS) INTERCHANGE ABLE WITH 10053795AA	
10	SOLIS-26,SONALIKA-26	10053796AA	GROMMET BONNET	1			
10	SOLIS-26,SONALIKA-26	10053796AB	GROMMET BONNET	1		INTERCHANGE ABLE WITH 10053796AC (ROHS)	
10	SOLIS-24	10053796AC	GROMMET BONNET	1			
10	SOLIS-26,SONALIKA-26	10053796AC	GROMMET BONNET	1	YES	(ROHS) INTERCHANGE ABLE WITH 10053796AB	
11	SOLIS-26,SONALIKA-26	10053741AA	BONNET STOPPER RH	1		10053741AA AND CHILD PART (20003285AB, 04030400008,0 4041000008) ARE DELETE FROM	LMKSG805996G 26
11	SOLIS-24	10053741AB	BONNET STOPPER RH	1			
12	SOLIS-26,SONALIKA-26	10053359AA	BONNET STOPPER BRACKET	1		INTERCHANGE ABLE WITH 10053359AC (ROHS)	
12	SOLIS-24	10053359AB	BONNET STOPPER BRACKET	1			
12	SOLIS-26,SONALIKA-26	10053359AC	BONNET STOPPER BRACKET	1		(ROHS) INTERCHANGE ABLE WITH 10053359AA	
13	SOLIS-26,SONALIKA-26	20003285AB	HEX SCREW M8X1.25X30 8-8 SA2JS	4			
13	SOLIS-24	20005563AA	HEX SCREW M8X1.25X30-8.8SA4GS	4			
14	SOLIS-26,SONALIKA-26	04030400008	SPRING WASHER B-8	4		INTERCHANGE ABLE WITH 20005517AA (ROHS)	
14	SOLIS-24	20003670AC	SPRING WASHER B-8 TYPE-A IS: 3063-1972	4			
14	SOLIS-26,SONALIKA-26	20005517AA	SPRING WASHER B-8 TYPE A IS: 3067-1972	4	YES	(ROHS) INTERCHANGE ABLE WITH 04030400008	
15	SOLIS-26,SONALIKA-26	04041000008	HEX NYLOCK NUT M8*1.25	1		NOT SHOWN	

17110A-1/1

FUEL TANK



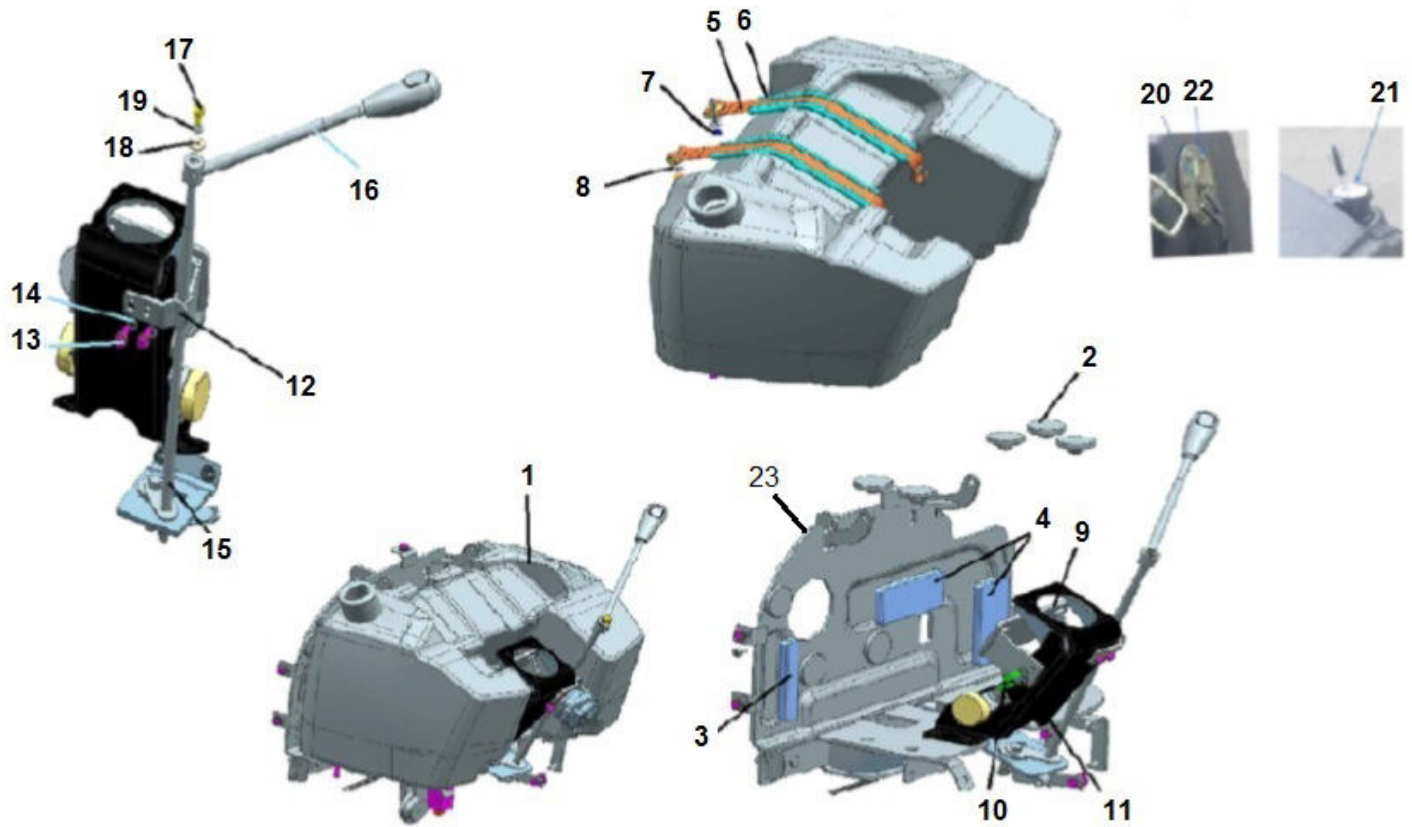
Sr.	Model	Item Code	Description	Qty	Int.	Remarks	Cut Off
1	SOLIS-26, SONALIKA-26	10053392AC	FUEL TANK FRAME	1			
1	SOLIS-26, SONALIKA-26	10053392AE	FUEL TANK FRAME	1			
1	SOLIS-26, SONALIKA-26, SOLIS-24	10053392AF	FUEL TANK FRAME	1	YES		MEMFMKSF559 997G26
1	SOLIS-24 WITH ELECTRONIC GOVERNOR	10055073AB	FUEL TANK FRAME	1			
1	SOLIS-24 WITH ELECTRONIC GOVERNOR	10055073AC	FUEL TANK FRAME	1	YES		MEMG412H3TH WS2027
2	SOLIS-26, SONALIKA-26	20002015AB	HEX HEAD SCREW M10X1.5X25 8-8 SA2JS	4			
2	SOLIS-24	20002015AC	HEX. HEAD SCREW M10 X 1.5 X 25 8-8 SA4JS	4			
3	SOLIS-26, SONALIKA-26	04030400010	SPRING WASHER B-10	4			

Sr.	Model	Item Code	Description	Qty	Int.	Remarks	Cut Off
3	SOLIS-24	20005518AA	SPRING WASHER B-10 TYPE-A IS: 3067-1972	4			
4	SOLIS-26, SONALIKA-26	04030800010	M/CD WASHER DIA 10.5 *DIA 21*2	4			
4	SOLIS-24	20000100AA	M/CD WASHER 10.5*21*2	4		INTERCHANGE ABLE WITH 20005625AA (ROHS)	
4	SOLIS-24	20005625AA	M/CD WASHER 10.5*21*2	4	YES	(ROHS) INTERCHANGE ABLE WITH 20000100AA	
5	SOLIS-26, SONALIKA-26	10004600AA	RUBBER BUTTON (BIG) FOR FUEL TNK MTG PLT	6		INTERCHANGE ABLE WITH 10004600AB (ROHS)	
5	SOLIS-24	10004600AB	RUBBER BUTTON (BIG) FOR FUEL TNK MTG PLT	6			
5	SOLIS-26, SONALIKA-26	10004600AB	RUBBER BUTTON (BIG) FOR FUEL TNK MTG PLT	6	YES	(ROHS) INTERCHANGE ABLE WITH 10004600AA	
6	SOLIS-26, SONALIKA-26	10053393AB	HAND ACCELERATOR ASSY.	1		INTERCHANGE ABLE WITH 10055170AC (ROHS)	
6	SOLIS-24	10055170AA	HAND ACCELERATOR ASSY. (GT-26 NEW ERGO.)	1			
6	SOLIS-26, SONALIKA-26	10055170AC	HAND ACCELERATOR ASSY. (GT-26 NEW ERGO.)	1		(ROHS) INTERCHANGE ABLE WITH 10053393AB	
7	SOLIS-26, SONALIKA-26	04040308025	HEX SOCKET HEAD CAP SCREW M8*25	2			
7	SOLIS-24	20001089AB	HEX. HEAD SCREW M8 X 1.25-25 8-8 SA4JS	2			
8	SOLIS-26, SONALIKA-26	04030400008	SPRING WASHER B-8	2		INTERCHANGE ABLE WITH 20005517AA (ROHS)	
8	SOLIS-24	20003670AC	SPRING WASHER B-8 TYPE-A IS: 3063-1972	2			
8	SOLIS-26, SONALIKA-26	20005517AA	SPRING WASHER B-8 TYPE A IS: 3067-1972	2	YES	(ROHS) INTERCHANGE ABLE WITH 04030400008	
9	SOLIS-26, SONALIKA-26	10053386AA	FRONT LOCKING ASSY	1			
9	SOLIS-26, SONALIKA-26	10053386AB	FRONT LOCKING ASSY	1		INTERCHANGE ABLE WITH 10057685AA (ROHS)	
9	SOLIS-24	10053386AC	FRONT LOCKING ASSY	1			
9	SOLIS-26, SONALIKA-26	10057685AA	FRONT LOCKING ASSY 26 HP EEC	1		(ROHS) INTERCHANGE ABLE WITH 10053386AB	
10	SOLIS-26, SONALIKA-26	10053385AA	REAR LOCKING ASSY	1		INTERCHANGE ABLE WITH 10057686AA (ROHS)	
10	SOLIS-24	10053385AB	REAR LOCKING ASSY	1			
10	SOLIS-26, SONALIKA-26	10057686AA	REAR LOCKING ASSY 26 HP EEC	1		(ROHS) INTERCHANGE	

Sr.	Model	Item Code	Description	Qty	Int.	Remarks	Cut Off
						ABLE WITH 10053385AA	
11	SOLIS-26, SONALIKA-26	10053360AC	INTEGRATED FUEL TANK ASSY	1			
11	SOLIS-24	10053360AD	INTEGRATED FUEL TANK ASSY	1			
13	SOLIS-26, SONALIKA-26	04041000008	HEX NYLOCK NUT M8*1.25	2		INTERCHANGE ABLE WITH 20004917AB (ROHS)	
13	SOLIS-24	20004917AA	HEX NYLOC NUT M8*1.25 8 SA4JS	2			
13	SOLIS-26, SONALIKA-26	20004917AB	HEX NYLOC NUT M8*1.25 8	2		(ROHS) INTERCHANGE ABLE WITH 04041000008	
14	SOLIS-26, SONALIKA-26, SOLIS-24	04030600008	PLAIN WASHER DIA 8.4 *DIA 17*1.6	2			
15	SOLIS-26, SONALIKA-26	10053755AA	KNOB FOR HAND ACCELERATOR	1			
15	SOLIS-24	10053755AB	KNOB FOR HAND ACCELERATOR	1			
15	GT-26, SOLIS-26, SOLIS- 24	10053755AC	KNOB FOR HAND ACCELERATOR	1	YES	INTERCHANGE ABLE WITH 300025664B (ROHS)	FMKSG739250G 26D
15	GT-26, SOLIS-26, SOLIS- 24	300025664B	HAND ACCELERATOR KNOB	1		(ROHS) INTERCHANGE ABLE WITH 10053755AC	
16	SOLIS-26, SONALIKA-26	10052424AA	RUBBER PAD A	1		INTERCHANGE ABLE WITH 10052424AB (ROHS)	
16	SOLIS-24	10052424AB	RUBBER PAD A	1			
16	SOLIS-26, SONALIKA-26	10052424AB	RUBBER PAD A	1		(ROHS) INTERCHANGE ABLE WITH 10052424AA	
17	SOLIS-26, SONALIKA-26	10052425AA	RUBBER PAD B	1		INTERCHANGE ABLE WITH 10052425AB (ROHS)	
17	SOLIS-24	10052425AB	RUBBER PAD B	1			
17	SOLIS-26, SONALIKA-26	10052425AB	RUBBER PAD B	1		(ROHS) INTERCHANGE ABLE WITH 10052425AA	
18	SOLIS-26, SONALIKA-26, SOLIS-24	042300208AA	HIGH SPEED DIESEL	7		IN LITRES,NOT SHOWN, Not Serviceable part	
19	SOLIS-26, SONALIKA-26, SOLIS-24	20004248AA	LOCTITE-542	3.2 ml		IN ML,NOT SHOWN	

17111A-1/1

FUEL TANK



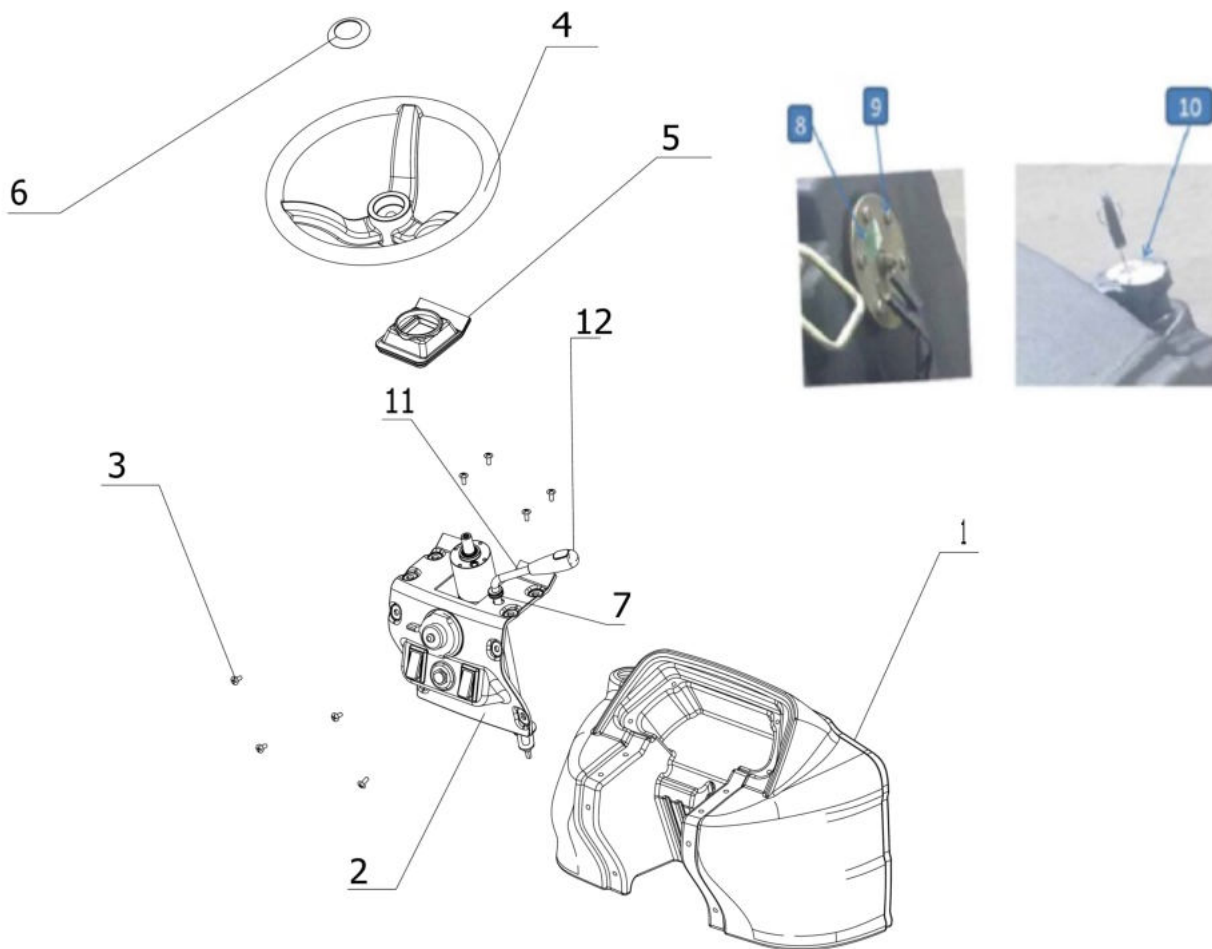
Sr.	Model	Item Code	Description	Qty	Int.	Remarks	Cut Off
1	ALL MODELS	10057513AB	FUEL TANK ASSEMBLY	1			
2	ALL MODELS	10056338AA	RUBBER BUTTON	8			
3	ALL MODELS	10057709AB	FUEL TANK RESTING RUBBER PAD	1			
4	ALL MODELS	10057710AB	FUEL TANK RESTING RUBBER PAD	2			
5	ALL MODELS	10057518AC	STRAP ASSY	2			
6	ALL MODELS	300027774A	FUEL TANK STRAP RUBBER	2			
7	SOLIS-26 FACELIFT	04041000006	HEX NYLOC NUT M6	2		INTERCHANGEABLE WITH 20004915AB (ROHS)	

Sr.	Model	Item Code	Description	Qty	Int.	Remarks	Cut Off
7	SOLIS-24 EPA	20004915AB	HEX NYLOC NUT M6	2			
7	SOLIS-26 FACELIFT	20004915AB	HEX NYLOC NUT M6 8	2	YES	(ROHS) INTERCHANGE ABLE WITH 04041000006	
7	SONALIKA-26 FACELIFT	04041000006	HEX NYLOC NUT M6	2			
8	SOLIS-26 FACELIFT	20004941AA	M/C WASHER DIA 6.4*DIA 12.4*1.6	2		INTERCHANGE ABLE WITH 20004941AB (ROHS)	
8	SOLIS-24 EPA	20004941AB	M/C WASHER DIA 6.4*DIA 12.4*1.6	2			
8	SOLIS-26 FACELIFT	20004941AB	M/C WASHER DIA 6.4*DIA 12.4*1.6	2		(ROHS) INTERCHANGE ABLE WITH 20004941AA	
8	SONALIKA-26 FACELIFT	20004941AA	M/C WASHER DIA 6.4*DIA 12.4*1.6	2			
9	ALL MODELS	10056203AA	FUEL TANK STRAP MOUNTING BRACKT	1			
10	SOLIS-26 FACELIFT	04040106020	HEX SCREW M6*1*20	3		INTERCHANGE ABLE WITH 20005569AA (ROHS)	
10	SOLIS-24 EPA	20005569AA	HEX SCREW M6*1*20	3			
10	SOLIS-26 FACELIFT	20005569AA	HEX SCREW M6X1X20	3		(ROHS) INTERCHANGE ABLE WITH 04040106020	
10	SONALIKA-26 FACELIFT	04040106020	HEX SCREW M6*1*20	3			
11	SOLIS-26 FACELIFT	04030400006	SPRING WASHER B-6	3			
11	SOLIS-24 EPA	20005516AA	SPRING WASHER B-6 TYPE A IS: 3067-1972	3			
11	SONALIKA-26 FACELIFT	04030400006	SPRING WASHER B-6	3			
12	ALL MODELS	300009574A	BKT ASSY FOR HAND ACCELRTOR GUIDE	1			
13	SOLIS-26 FACELIFT	20003517AA	HEX FLANGE SCREW M6*1*16-8.8 SA2JS	2			
13	SOLIS-24 EPA	20005542AA	HEX FLANGE SCREW M6*1*16 -8.8 SA4GS	2			
13	SONALIKA-26 FACELIFT	20003517AA	HEX FLANGE SCREW M6*1*16-8.8 SA2JS	2			
14	SOLIS-26 FACELIFT	04030400006	SPRING WASHER B-6	2			
14	SOLIS-24 EPA	20005516AA	SPRING WASHER B-6 TYPE A IS: 3067-1972	2			
14	SONALIKA-26 FACELIFT	04030400006	SPRING WASHER B-6	2			
15	SOLIS-26 FACELIFT	10056158AB	HAND ACC ASSY	1			
15	SOLIS-24 EPA	300022718A	HAND ACC ASSY	1			
15	SONALIKA-26 FACELIFT	10056158AB	HAND ACC ASSY	1			
16	ALL MODELS	10056157AA	TOP LEVER HAND ACCELERATOR (W/O PAINT)	1			
16	ALL MODELS	10056354AA	TOP LEVER HAND ACCELERATOR (POWDER COATING)	1			
17	SOLIS-26 FACELIFT	20004440AA	HEX SCREW M6X10 8.8 SA2JS	1			

Sr.	Model	Item Code	Description	Qty	Int.	Remarks	Cut Off
17	SOLIS-24 EPA	20005573AA	HEX SCREW M6X10 8.8 SA2JS	1			
17	SONALIKA-26 FACELIFT	20004440AA	HEX SCREW M6X10 8.8 SA2JS	1			
18	SOLIS-26 FACELIFT	04030600006	PLAIN WASHER DIA 6.4 *DIA 18 *1.5	1			
18	SOLIS-24 EPA	20005524AA	PLAIN WASHER DIA 6.4 *DIA 18 *1.5	1			
18	SONALIKA-26 FACELIFT	04030600006	PLAIN WASHER DIA 6.4 *DIA 18 *1.5	1			
19	SOLIS-26 FACELIFT	04030400006	SPRING WASHER B-6	1			
19	SOLIS-24 EPA	20005516AA	SPRING WASHER B-6 TYPE A IS: 3067-1972	1			
19	SONALIKA-26 FACELIFT	04030400006	SPRING WASHER B-6	1			
20	ALL MODELS	10057723AA	TANK UNIT	1			
21	ALL MODELS	10070894AE	FUEL TANK CAP (DOUBLE LOCK) HOMOLOGATION	1			
22	SOLIS-26 FACELIFT	04042905012	SLOTTED CHEESE HD SCREW M5*12	6			
22	SOLIS-24 EPA	20005537AA	SLOTTED CHEESE HD SCREW M5*12	6			
22	SONALIKA-26 FACELIFT	04042905012	SLOTTED CHEESE HD SCREW M5*12	6			
23	SOLIS-26 FACELIFT	10057452AE	FUEL TANK FRAME ASSY	1			
23	SOLIS-26 FACELIFT	10057452AH	FUEL TANK FRAME ASSY	1	NO	Following parts are (300009619A, 10057452AE, 10056153AA) interchangeable as a set with (300009619B, 10084733AA, 10004984AA, 10057452AH, 10056153AB)	FOR NON EU MODELS- AMKSS837632G 26 FOR EU MODELS- MEMRMKSNSA KH04862
23	SONALIKA-26 FACELIFT	10057452AH	FUEL TANK FRAME ASSY	1			

17120A-1/1

FUEL TANK & RELATED



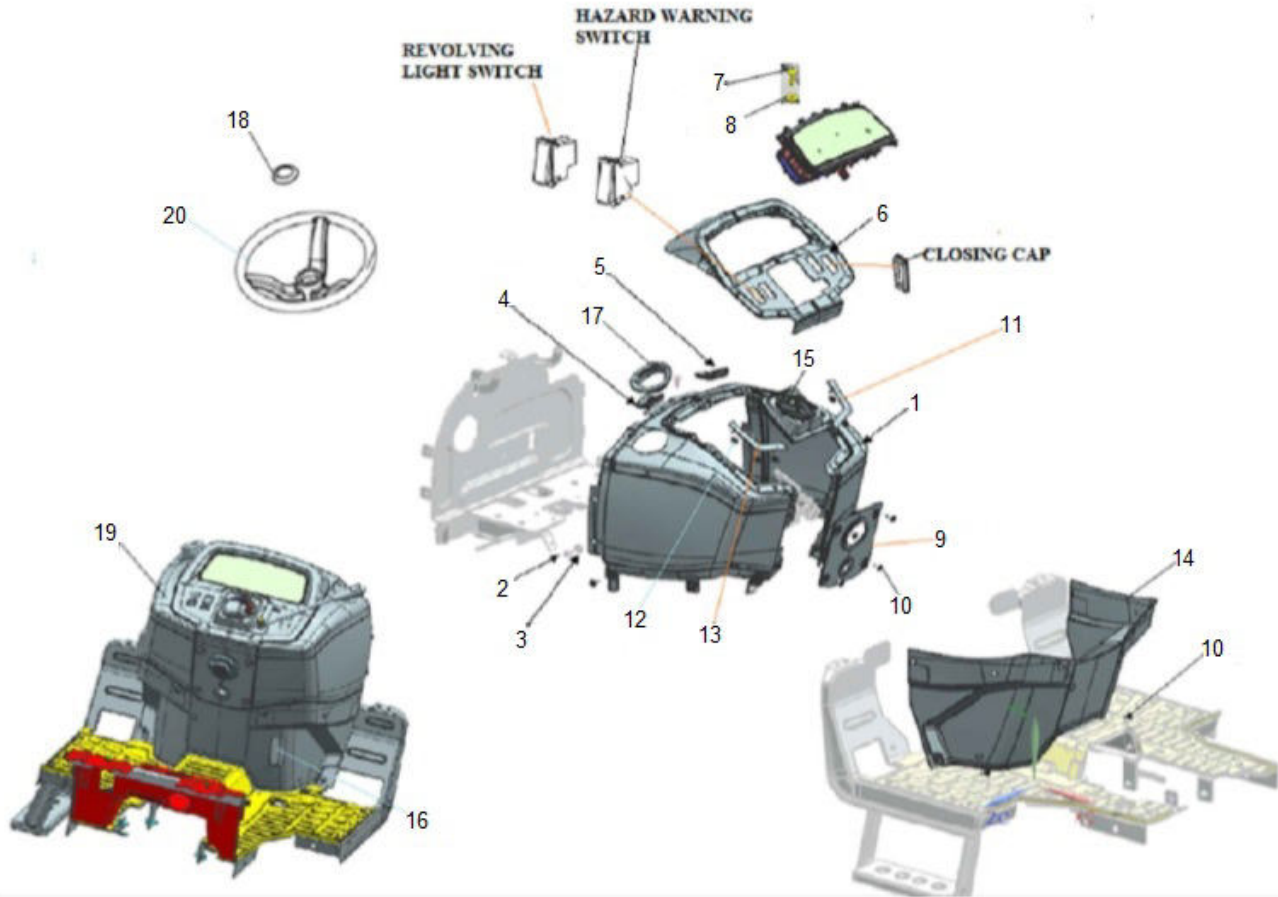
Sr.	Model	Item Code	Description	Qty	Int.	Remarks	Cut Off
1	SOLIS-26, SONALIKA-26	10053360AC	INTEGRATED FUEL TANK ASSY	1			
1	SOLIS-24	10053360AD	INTEGRATED FUEL TANK ASSY	1			
2	SOLIS-26, SONALIKA-26	10053356AB	FRONT PANEL	1			
2	SOLIS-26, SONALIKA-26	10053356AE	FRONT PANEL	1			
2	SOLIS-26, SONALIKA-26	10053356AH	FRONT PANEL	1	YES		KMKST691855G 26D
2	SOLIS-24	10053356AF	FRONT PANEL	1			
3	SOLIS-26, SONALIKA-26	20004732AA	TRUSS PHILIPS M/C SCREW (M6X16)	8			
3	SOLIS-26, SONALIKA-26	10067947AA	CROSS SLOTTED TRUSS HEAD SCREW M6X16	8			

Sr.	Model	Item Code	Description	Qty	Int.	Remarks	Cut Off
3	SOLIS-26, SONALIKA-26	10057095AA	CROSS SLOTTED TRUSS HEAD SCREW M6X16 PRECOATED	8	YES		MEMMYEDT624 377WNT
3	SOLIS-24	10067947AB	CROSS SLOTTED TRUSS HEAD SCREW M6X16	8			
3	SOLIS-26, SONALIKA-26	10067947AA	CROSS SLOTTED TRUSS HEAD SCREW M6	8	YES		MEMHYNDT654 986WNT
4	SOLIS-26, SONALIKA-26	10053125AB	STEERING WHEEL	1		INTERCHANGE ABLE WITH 10053125AD (ROHS)	
4	SOLIS-24	10053125AC	STEERING WHEEL	1			
4	SOLIS-26, SONALIKA-26	10053125AD	STEERING WHEEL	1		(ROHS) INTERCHANGE ABLE WITH 10053125AB	
5	SOLIS-26, SONALIKA-26	10053651AB	STEERING COLUMN GROMMET	1			
5	SOLIS-26, SONALIKA-26	10053651AC	STEERING COLUMN GROMMET	1		INTERCHANGE ABLE WITH 10053651AD (ROHS)	
5	SOLIS-24	10053651AD	STEERING COLUMN GROMMET	1			
5	SOLIS-26, SONALIKA-26	10053651AD	STEERING COLUMN GROMMET	1		(ROHS) INTERCHANGE ABLE WITH 10053651AC	
6	SONALIKA-26,SOLIS-26	10009194AD	STEERING WHEEL CAP	1			
6	SOLIS-26, SOLIS-24	10053737AA	STEERING WHEEL CAP	1	YES		MEMBMGSF535 738G
7	SOLIS-24	10051400AC	GROMMET FOR HAND ACCELERATOR	1			
7	SOLIS-26, SONALIKA-26	10051400AA	GROMMET FOR HAND ACCELERATOR	1		INTERCHANGE ABLE WITH 10051400AC (ROHS)	
7	SOLIS-26, SONALIKA-26	10051400AC	GROMMET FOR HAND ACCELERATOR	1		(ROHS) INTERCHANGE ABLE WITH 10051400AA	
8	SOLIS-26, SONALIKA-26	10051332AA	FUEL GAUGE	1			
8	SOLIS-26, SONALIKA-26	10053566AB	TANK UNIT FOR GT-26	1			
8	SOLIS-24	10053566AC	TANK UNIT FOR GT-26	1			
9	SOLIS-26, SONALIKA-26	04042905012	SLOTTED CHEESE HD SCREW M5*12	6			
9	SOLIS-24	20004920AB	SLOTTEED CHEESE HEAD SCREWS M5*12	6			
10	SOLIS-26, SONALIKA-26	10070894AB	FUEL TANK CAP (DOUBLE LOCK) HOMOLOGATION	1		INTERCHANGE ABLE WITH 10070894AD (ROHS)	
10	SOLIS-26, SONALIKA-26, SOLIS-24	10070894AD	FUEL TANK CAP (DOUBLE LOCK) HOMOLOGATION	1	YES		KZSDU526037S 3
10	SOLIS-26, SONALIKA-26, SOLIS-24	10070894AE	FUEL TANK CAP (DOUBLE LOCK) HOMOLOGATION	1	YES		MEMHMKST651 390G26
10	SOLIS-26, SONALIKA-26	10070894AD	FUEL TANK CAP (DOUBLE LOCK) HOMOLOGATION	1		(ROHS) INTERCHANGE ABLE WITH 10070894AB	

Sr.	Model	Item Code	Description	Qty	Int.	Remarks	Cut Off
11	SOLIS-26, SONALIKA-26	10053393AB	HAND ACCELERATOR ASSY.	1		INTERCHANGEABLE WITH 10055170AC (ROHS)	
11	SOLIS-24	10055170AA	HAND ACCELERATOR ASSY. (GT-26 NEW ERGO.)	1			
11	SOLIS-26, SONALIKA-26	10055170AC	HAND ACCELERATOR ASSY. (GT-26 NEW ERGO.)	1		(ROHS) INTERCHANGEABLE WITH 10053393AB	
12	SOLIS-26, SONALIKA-26	10053755AA	KNOB FOR HAND ACCELERATOR	1			
12	SOLIS-24	10053755AB	KNOB FOR HAND ACCELERATOR	1			
12	GT-26, SOLIS-26, SOLIS-24	10053755AC	KNOB FOR HAND ACCELERATOR	1	YES	INTERCHANGEABLE WITH 300025664B (ROHS)	FMKSG739250G26D
12	GT-26, SOLIS-26, SOLIS-24	300025664B	HAND ACCELERATOR KNOB	1		(ROHS) INTERCHANGEABLE WITH 10053755AC	
13	SOLIS-26,SONALIKA-26, DI-26 GARDENTRAC	10019095AB	Thread Locking Agent1 (loctite243/Ana113E	1.5 ML		QTY IN ML, ADDED FROM	MEMHYNDT654986WNT

17121A-1/1

DASHBOARD



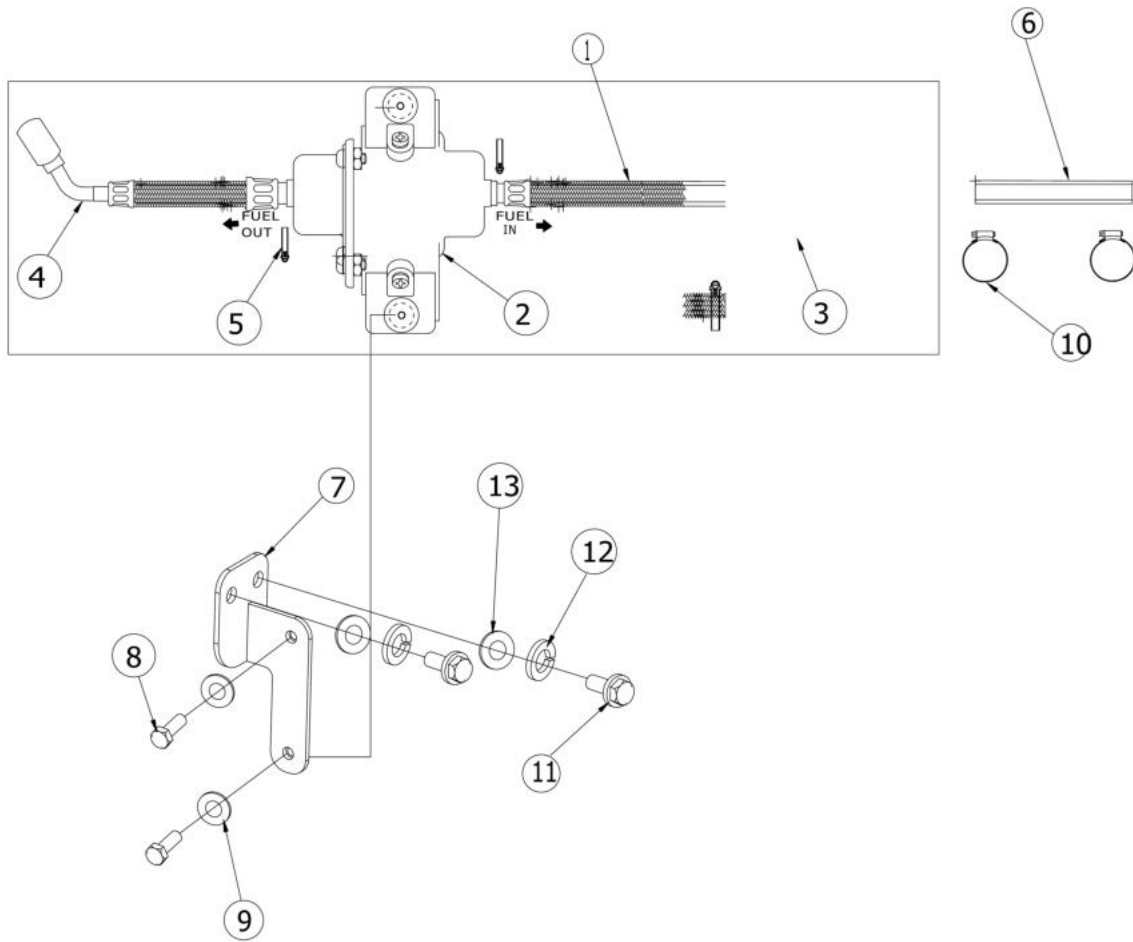
Sr.	Model	Item Code	Description	Qty	Int.	Remarks	Cut Off
1	ALL MODELS	300000486B	DASHBOARD ASSY W/O PAINT	1			
1	ALL MODELS	300000482B	DASHBOARD ASSY CED COATED	1			
1	ALL MODELS	300000483B	DASHBOARD ASSY WITH BLUE PAINT	1			
1	ALL MODELS	300000484B	DASHBOARD ASSY WITH RED PAINT	1			
2	SOLIS-26 FACELIFT	20003517AB	HEX FLANGE SCREW M6*1*16-8.8 SA4JS	5		INTERCHANGEABLE WITH 20005542AA (ROHS)	
2	SOLIS-24 EPA	20005542AA	HEX FLANGE SCREW M6*1*16-8.8 SA4JS	5			
2	SOLIS-26 FACELIFT	20005542AA	HEX FLANGE SCREW M6*1*16 -8.8 SA4GS	5	YES	(ROHS) INTERCHANGEABLE WITH	

Sr.	Model	Item Code	Description	Qty	Int.	Remarks	Cut Off
						20003517AB	
2	SONALIKA-26 FACELIFT	20003517AB	HEX FLANGE SCREW M6*1*16-8.8 SA4JS	5			
3	SOLIS-26 FACELIFT	04030600006	PLAIN WASHER DIA 6.4 *DIA 18 *1.5	5			
3	SOLIS-24 EPA	20005524AA	PLAIN WASHER DIA 6.4 *DIA 18 *1.5	5			
4	ALL MODELS	300009568A	HINGE GROMMET LH	1			
5	ALL MODELS	300009569A	HINGE GROMMET RH	1			
6	ALL MODELS	10057566AC	CLUSTER PANEL	1			
6	SOLIS-26 FACELIFT	10057566AD	CLUSTER PANEL	1	YES		FOR NON EU MODELS- MMKSS826879G 26 FOR EU MODELS- MEMRMGSNSM KH04135
6	SONALIKA-26 FACELIFT	10057566AD	CLUSTER PANEL	1			
7	SOLIS-26 FACELIFT	20004649AA	TAPPING SCREW M5X20 SA2NS	5			
7	SOLIS-24 EPA	200000133A	TAPPING SCREW M5X20 SA2NS	5			
7	SONALIKA-26 FACELIFT	200000133A	TAPPING SCREW M5X20 SA2NS	5			
8	ALL MODELS	04030600005	PLAIN WASHER DIA 5.3 *DIA 15*1.5	5		INTERCHANGE ABLE WITH 300032712A (ROHS)	
8	ALL MODELS	300032712A	WASHER	5		(ROHS) INTERCHANGE ABLE WITH 04030600005	
9	ALL MODELS	10057507AC	CENTER COVER DASHBOARD	1			
10	SOLIS-26 FACELIFT	10067947AA	CROSS SLOTTED TRUSS HEAD SCREW M6X16	12			
10	SOLIS-24 EPA	10067947AB	CROSS SLOTTED TRUSS HEAD SCREW M6X16	12			
10	SONALIKA-26 FACELIFT	10067947AA	CROSS SLOTTED TRUSS HEAD SCREW M6X16	12			
11	ALL MODELS	10057465AC	DASHBOARD PANEL CHROME RH	1			
12	SOLIS-26 FACELIFT	10045779AB	RETAINING WASHER DIA 6	6		INTERCHANGE ABLE WITH 300003840A (ROHS)	
12	SOLIS-24 EPA	300003840A	RETAINING WASHER DIA 6	6			
12	SOLIS-26 FACELIFT	300003840A	RETAINING WASHER DIA 6	6		(ROHS) INTERCHANGE ABLE WITH 10045779AB	
12	SONALIKA-26 FACELIFT	10045779AB	RETAINING WASHER DIA 6	6			
13	ALL MODELS	10057466AC	DASHBOARD PANEL CHROME LH	1			
14	ALL MODELS	10057508AF	DASHBOARD LOWER	1			

Sr.	Model	Item Code	Description	Qty	Int.	Remarks	Cut Off
15	ALL MODELS	10057448AC	STEERING BELLOW	1			
16	ALL MODELS	300023232B	RUBBER GROMMET	1			
16	SOLIS-24 EPA	300023232A	RUBBER GROMMET	1			
16	SOLIS-24 EPA	300023232B	RUBBER GROMMET	1	YES AS SET	THESE PARTS (10057451AB, 300023232A, 10056650AA, 10005405AB, 300023523A) ARE INTERCHANGE ABLE AS A SET WITH (10057451AC, 300023232B, 300044293A, 10039219AA, 10087872AA, 10087873AA, 300044504A, 300044529A)	MEMG412H3GH WS2394
17	ALL MODELS	10057532AB	FUEL TANK NECK GROMMET	1			
18	SOLIS-26 FACELIFT	10009194AD	STEERING WHEEL CAP	1			
18	SOLIS-24 EPA	10053737AA	STEERING WHEEL CAP	1			
18	SONALIKA-26 FACELIFT	10053737AA	STEERING WHEEL CAP	1			
19	ALL MODELS	10057513AB	INTEGRATED FUEL TANK ASSY	1			
20	ALL MODELS	10053125AD	STEERING WHEEL	1			

17130A-1/1

FUEL PIPES



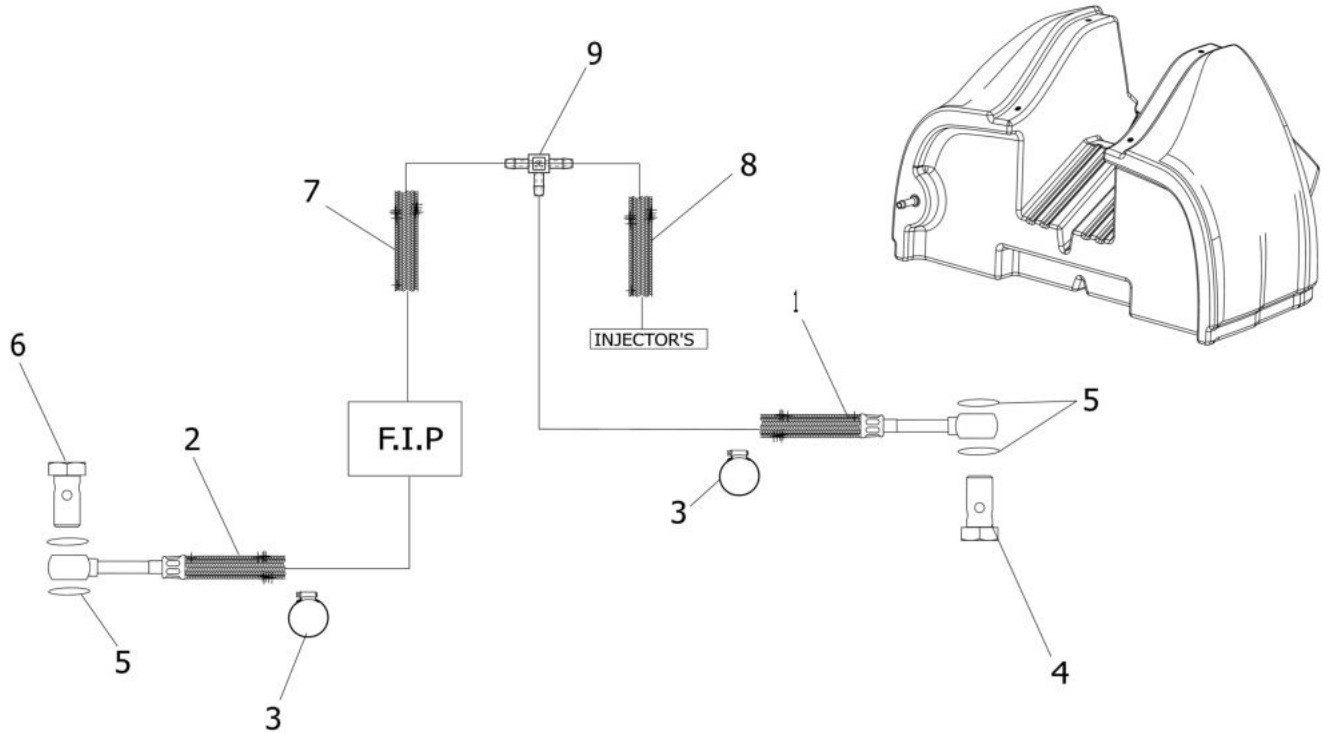
Sr.	Model	Item Code	Description	Qty	Int.	Remarks	Cut Off
1	SOLIS-26, SONALIKA-26	10053775AA	FUEL PIPE (STRAINER TO FEED PUMP)	1		INTERCHANGEABLE WITH 10053775AB (ROHS)	
1	SOLIS-24	10053775AB	FUEL PIPE (STRAINER TO FEED PUMP)	1			
1	SOLIS-26, SONALIKA-26	10053775AB	FUEL PIPE (STRAINER TO FEED PUMP)	1	YES	(ROHS) INTERCHANGEABLE WITH 10053775AA	
2	SOLIS-26, SONALIKA-26	10051600AA	FUEL FEED PUMP	1		INTERCHANGEABLE WITH 10051600AB (ROHS)	
2	SOLIS-24	10051600AB	FUEL FEED PUMP	1			

Sr.	Model	Item Code	Description	Qty	Int.	Remarks	Cut Off
2	SOLIS-26, SONALIKA-26	10051600AB	FUEL FEED PUMP	1	YES	(ROHS) INTERCHANGE ABLE WITH 10051600AA	
3	SOLIS-26, SONALIKA-26	10051627AA	FUEL FILTER 30N6200400 (STRAINER)	1		INTERCHANGE ABLE WITH 10055269AA (ROHS)	
3	SOLIS-26, SONALIKA-26	10055269AA	FUEL FILTER (STRAINER)	1	YES	(ROHS) INTERCHANGE ABLE WITH 10051627AA	
4	SOLIS-26, SONALIKA-26	10053776AB	FUEL PIPE (FUEL FEED PUP TO FUEL FILTER	1			
4	SOLIS-26, SONALIKA-26	10053776AD	FUEL PIPE (FUEL FEED PUP TO FUEL FILTER	1		INTERCHANGE ABLE WITH 10053776AF (ROHS)	
4	SOLIS-24	10053776AF	FUEL PIPE (FUEL FEED PUP TO FUEL FILTER	1			
4	SOLIS-26, SONALIKA-26	10053776AF	FUEL PIPE (FUEL FEED PUP TO FUEL FILTER	1	YES	(ROHS) INTERCHANGE ABLE WITH 10053776AD	
5	SOLIS-26, SONALIKA-26	20004171AA	HOSE WORM CLAMP DIA IS: 4762	3		INTERCHANGE ABLE WITH 20004171AB (ROHS)	
5	SOLIS-24	20004171AB	HOSE WORM CLAMP DIA IS: 4762	3			
5	SOLIS-26, SONALIKA-26	20004171AB	HOSE WORM CLAMP DIA IS: 4762	3		(ROHS) INTERCHANGE ABLE WITH 20004171AA	
6	SOLIS-26, SONALIKA-26	10051937AA	FUEL PIPE(STRAINER TO FUEL COCK)	1		INTERCHANGE ABLE WITH 10051937AB (ROHS)	
6	SOLIS-24	10051937AB	FUEL PIPE(STRAINER TO FUEL COCK)	1			
6	SOLIS-26, SONALIKA-26	10051937AB	FUEL PIPE(STRAINER TO FUEL COCK)	1	YES	(ROHS) INTERCHANGE ABLE WITH 10051937AA	
7	SOLIS-26, SONALIKA-26, SOLIS-24	10053777AA	FUEL FEED PUMP MTG. BKT	1			
8	SOLIS-26, SONALIKA-26, SOLIS-24	04040106030	HEX SCREW M6*30	2		INTERCHANGE ABLE WITH 20005568AA (ROHS)	
8	SOLIS-24 EPA	20005568AA	HEX SCREW M6*30	2			
8	SOLIS-26, SONALIKA-26, SOLIS-24	20005568AA	HEX SCREW M6X30 SA4GS	2		(ROHS) INTERCHANGE ABLE WITH 04040106030	
9	SOLIS-26, SONALIKA-26	04030600006	PLAIN WASHER DIA 6.4 *DIA 18 *1.5	2			
9	SOLIS-24	20003389AB	PLAIN WASHER A 6.4 IS:5370 STEEL	2			
9	SOLIS-24 EPA	20005765AA	PLAIN WASHER A 6.4 IS:5370 STEEL	2			
10	SOLIS-26, SONALIKA-26	20003508AA	HOSE CLIP 9.5*12	2			
11	SOLIS-26, SONALIKA-26	10020767AA	HEX. FLANGED SCREW M8X1.25X15	2		INTERCHANGE ABLE WITH	

Sr.	Model	Item Code	Description	Qty	Int.	Remarks	Cut Off
						20005636AA (ROHS)	
11	SOLIS-24	10020767AA	HEX. FLANGED SCREW M8X1.25X15	2		INTERCHANGE ABLE WITH 20005636AA (ROHS)	
11	SOLIS-24 EPA	20005636AA	HEX. FLANGED SCREW M8X1.25X15	2			
11	SOLIS-26, SONALIKA-26	20005636AA	HEX. FLANGED SCREW M8X1.25X15	2		(ROHS) INTERCHANGE ABLE WITH 10020767AA	
11	SOLIS-24	20005636AA	HEX. FLANGED SCREW M8X1.25X15	2		(ROHS) INTERCHANGE ABLE WITH 10020767AA	
12	SOLIS-26, SONALIKA-26	04030400008	SPRING WASHER B-8	2		INTERCHANGE ABLE WITH 20005517AA (ROHS)	
12	SOLIS-24	20003670AC	SPRING WASHER B-8 TYPE-A IS: 3063-1972	2			
12	SOLIS-24 EPA	20005517AA	SPRING WASHER B-8 TYPE-A IS: 3063-1972	2			
12	SOLIS-26, SONALIKA-26	20005517AA	SPRING WASHER B-8 TYPE A IS: 3067-1972	2	YES	(ROHS) INTERCHANGE ABLE WITH 04030400008	
13	SOLIS-26, SONALIKA-26, SOLIS-24	04030600008	PLAIN WASHER DIA 8.4 *DIA 17*1.6	2			
13	SOLIS-24 EPA	20004935AB	PLAIN WASHER DIA 8.4 *DIA 17*1.6	2			

17140A-1/1

FUEL PIPES

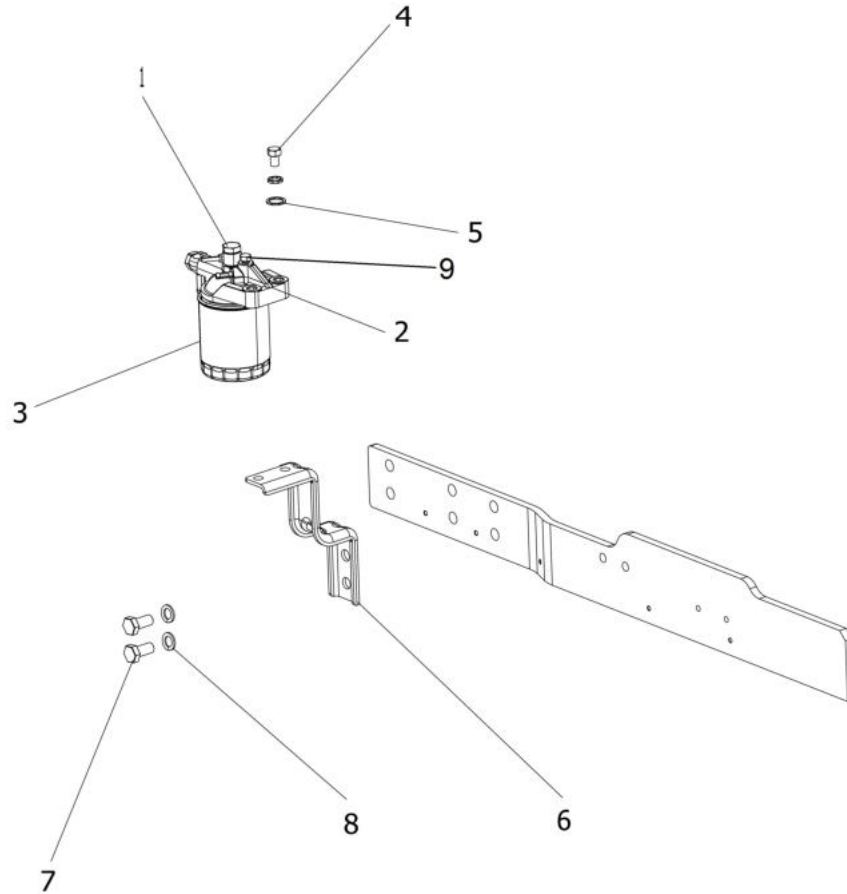


Sr.	Model	Item Code	Description	Qty	Int.	Remarks	Cut Off
1	SOLIS-26, SONALIKA-26	10051592AA	BACK FLOW FUEL PIPE	1		INTERCHANGEABLE WITH 300028469A (ROHS)	
1	SOLIS-24	10051592AB	BACK FLOW FUEL PIPE	1			
1	SOLIS-24 EPA	300028469A	BACK FLOW FUEL PIPE	1			
1	SOLIS-26, SONALIKA-26	300028469A	BACK FLOW FUEL PIPE	1		(ROHS) INTERCHANGEABLE WITH 10051592AA	
2	SOLIS-26, SONALIKA-26	10054087AA	FUEL PIPE(FUEL FILTER TO FIP)	1		INTERCHANGEABLE WITH 10054087AC (ROHS)	

Sr.	Model	Item Code	Description	Qty	Int.	Remarks	Cut Off
2	SOLIS-26, SONALIKA-26	803008060A	FUEL PIPE (FIP TO FILTER) MISTUBISHI ENG	1			
2	SOLIS-24	10054087AC	FUEL PIPE(FUEL FILTER TO FIP)	1			
2	SOLIS-26, SONALIKA-26	10054087AC	FUEL PIPE(FUEL FILTER TO FIP)	1	YES	(ROHS) INTERCHANGE ABLE WITH 10054087AA	
3	SOLIS-26, SONALIKA-26	703415115A	SPRING CLAMP DIA 12.5	2			
4	SOLIS-26, SONALIKA-26	04080100014	BENJO BOLT M14*1.5*26	1		INTERCHANGE ABLE WITH 20005003AB (ROHS)	
4	SOLIS-24	20005003AA	BENJO BOLT M14*1.5*26	1			
4	SOLIS-24 EPA	20005003AB	BENJO BLOT M14*1.5*26 SA4GS	1			
4	SOLIS-26, SONALIKA-26	20005003AB	BENJO BOLT M14*1.5*26 SA4GS	1	YES	(ROHS) INTERCHANGE ABLE WITH 04080100014	
5	SOLIS-26, SONALIKA-26, SOLIS-24	04030214020	SEALING WASHER DIA14.2*DIA19. 9*1.5	4			
6	SOLIS-26, SONALIKA-26	04080100014	BENJO BOLT M14*1.5*26	1		INTERCHANGE ABLE WITH 20005003AB (ROHS)	
6	SOLIS-24	20005003AA	BENJO BOLT M14*1.5*26	1			
6	SOLIS-24 EPA	20005003AB	BENJO BOLT M14*1.5*26	1			
6	SOLIS-26, SONALIKA-26	20005003AB	BENJO BOLT M14*1.5*26 SA4GS	1	YES	(ROHS) INTERCHANGE ABLE WITH 04080100014	
7	SOLIS-26, SONALIKA-26	-	BACK FLOW FUEL PIPE(F.I.P TO T- ASSY.)	1		INTEGRAL PART OF MITSUBISHI ENGINE	
8	SOLIS-26, SONALIKA-26	-	BACK FLOW FUEL PIPE(INJECTORS TO T-ASSY.)	1		INTEGRAL PART OF MITSUBISHI ENGINE	
9	SOLIS-26, SONALIKA-26	-	T-ASSY.	1		INTEGRAL PART OF MITSUBISHI ENGINE	

17150A-1/1

FUEL FILTER ASSY

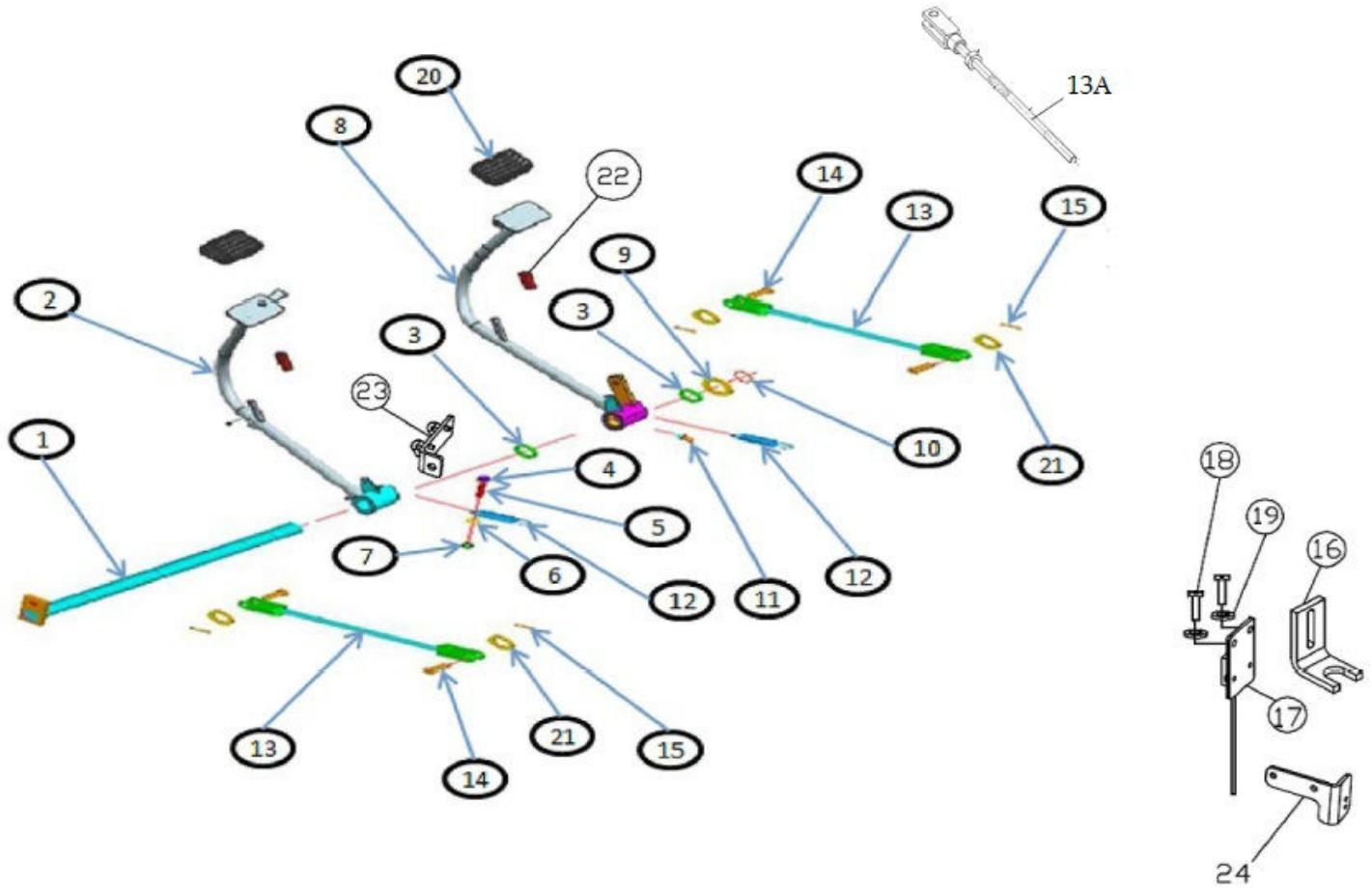


Sr.	Model	Item Code	Description	Qty	Int.	Remarks	Cut Off
1	SOLIS-26, SONALIKA-26	04080100014	BENJO BOLT M14*1.5*26	1		INTERCHANGEABLE WITH 20005003AB (ROHS)	
1	SOLIS-24	20005003AA	BENJO BOLT M14*1.5*26	1			
1	SOLIS-24 EPA	20005003AB	BENJO BOLT M14*1.5*26	1			
1	SOLIS-26, SONALIKA-26	20005003AB	BENJO BOLT M14*1.5*26 SA4GS	1	YES	(ROHS) INTERCHANGEABLE WITH 04080100014	
2	SOLIS-26, SONALIKA-26, SOLIS-24	703008118C	FUEL FILTER BODY_GARDEN TRACK	1			
3	SOLIS-26, SONALIKA-26	703008219A	FUEL FILTER CARTRIDGE_GARDEN TRACK	1			

Sr.	Model	Item Code	Description	Qty	Int.	Remarks	Cut Off
3	SOLIS-24	703008219B	FUEL FILTER CARTRIDGE_GARDEN TRACK	1			
4	SOLIS-26, SONALIKA-26	04040710045	H.H.BOLT M10X45-Z	2			
4	SOLIS-24 EPA	20005571AA	HEX SCREW M8X1.25X29	2			
5	SOLIS-26, SONALIKA-26	04031400010	HELICAL SPRING LOCK WASHER 10 AC SA2JD	2			
5	SOLIS-24	20003671AC	SPRING WASHER B-10 TYPE-A IS: 3063-1972	2		INTERCHANGEABLE WITH 20005518AA (ROHS)	
5	SOLIS-24 EPA	20005518AA	SPRING WASHER B-10 TYPE A IS: 3067-1972	2			
5	SOLIS-24	20005518AA	SPRING WASHER B-10 TYPE A IS: 3067-1972	2	YES	(ROHS) INTERCHANGEABLE WITH 20003671AC	
6	SOLIS-26, SONALIKA-26, SOLIS-24	10052496AB	FUEL FILTER MTG BRKT 24HP	1			
7	SOLIS-26, SONALIKA-26	20004154AB	HEX SCREW M12X1.25X25	2		INTERCHANGEABLE WITH 20005557AA (ROHS)	
7	SOLIS-26, SONALIKA-26	20004154AC	HEX SCREW M12X1.25X25 SA4JS	2			
7	SOLIS-24 EPA	10053438AA	HEX. HEAD SCREW M12x1.25X28	2			
7	SOLIS-26, SONALIKA-26	20005557AA	HEX SCREW M12X1.25X25 SA4GS	2		(ROHS) INTERCHANGEABLE WITH 20004154AB	
8	SOLIS-26, SONALIKA-26	04030400012	SPRING WASHER B-12	2			
8	SOLIS-24	20004993AA	SPRING WASHER B-12TYPE-A IS: 3063-1972	2			
8	SOLIS-24 EPA	20004993AB	SPRING WASHER B-12TYPE-A IS: 3063-1972	2			
9	SOLIS-26, SONALIKA-26, SOLIS-24	703408186C	HEX SCREW M8*1.25X29	1			

18110A-1/2

BRAKE PEDAL ASSY.



Sr.	Model	Item Code	Description	Qty	Int.	Remarks	Cut Off
1	SOLIS-26,SONALIKA-26, SOLIS-24	10052621AB	BRAKE PEDAL SHAFT 24HP	1			
2	SOLIS-26,SONALIKA-26	10053338AB	BRAKE PADEL ASSY LH	1		CHILD PART, BRAKE PEDAL ASSY.(L&R) 10053427AB	
2	SOLIS-26,SONALIKA-26, SOLIS-24	10053338AD	BRAKE PADEL ASSY LH	1		CHILD PART, BRAKE PEDAL ASSY.(L&R) 10053427AD	
2	SONALIKA-26 FACELIFT	10053427AE	BRAKE PEDAL ASSY.(L&R)	1		ASSY. CODE	
3	SOLIS-26,SONALIKA-26, SOLIS-24	10051143AA	FELT RING	2			
4	SOLIS-26,SONALIKA-26, SOLIS-24	20004136AA	HEX HEAD BOLT M8X1.25X55	1		INTERCHANGE ABLE WITH 20005600AA	

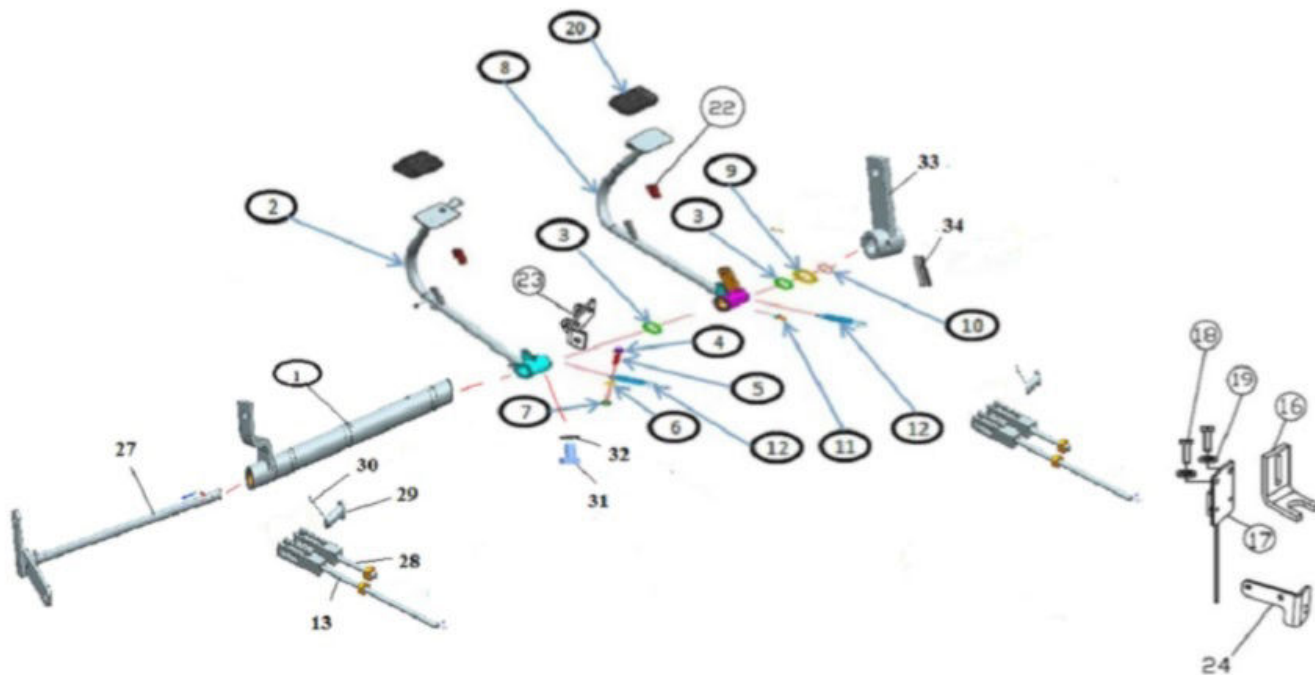
Sr.	Model	Item Code	Description	Qty	Int.	Remarks	Cut Off
						(ROHS)	
4	SOLIS-26,SONALIKA-26, SOLIS-24	20005600AA	HEX HEAD BOLT M8X55_8.8 SA4GS	1		(ROHS) INTERCHANGE ABLE WITH 20004136AA	
5	SOLIS-26,SONALIKA-26	04030800008	M/CD WASHER DIA 8.4 *DIA 17*1.6	1			
5	SOLIS-24	20003934AB	M/C WASHER B8	1			
6	SOLIS-26,SONALIKA-26	04030400008	SPRING WASHER B-8	1		INTERCHANGE ABLE WITH 20005517AA (ROHS)	
6	SOLIS-24	20003670AC	SPRING WASHER B-8 TYPE-A IS: 3063-1972	1			
6	SOLIS-26,SONALIKA-26	20005517AA	SPRING WASHER B-8 TYPE A IS: 3067-1972	1	YES	(ROHS) INTERCHANGE ABLE WITH 04030400008	
7	SOLIS-26,SONALIKA-26	20003355AB	HEX NUT M8X1.25 -8 SA2JS	1			
7	SOLIS-24	20003355AD	HEX NUT M8X1.25 -8 SA4JS	1		INTERCHANGE ABLE WITH 200000391A (ROHS)	
7	SOLIS-24	200000391A	HEX NUT M18X1.25 -8 SA4NS	1		(ROHS) INTERCHANGE ABLE WITH 20003355AD	
8	SOLIS-26,SONALIKA-26	10053339AB	BRAKE PADEL ASSY RH	1		CHILD PART, BRAKE PEDAL ASSY.(L&R) 10053427AB	
8	SOLIS-26,SONALIKA-26	10053339AD	BRAKE PADEL ASSY RH	1		CHILD PART, BRAKE PEDAL ASSY.(L&R) 10053427AD	
8	SOLIS-24	10053339AE	BRAKE PEDAL RIGHT	1		BRAKE PEDAL ASSY.(L&R) 10053427AE	
8	SONALIKA-26 FACELIFT	10053339AE	BRAKE PEDAL RIGHT	1			
9	SOLIS-26,SONALIKA-26, SOLIS-24	20004134AA	EXTERNAL CIRCLIP A - 25	1			
10	SOLIS-26,SONALIKA-26	20004133AA	M/CD WASHER DIA26*DIA44*4	1		INTERCHANGE ABLE WITH 20005623AA (ROHS)	
10	SOLIS-24	20004133AB	3/CD WASHER DIA 26 *DIA 44*4	1			
10	SOLIS-26,SONALIKA-26	20005623AA	M/CD WASHER DIA26*DIA44*4	1	YES	(ROHS) INTERCHANGE ABLE WITH 20004133AA	
11	SOLIS-26,SONALIKA-26, SOLIS-24	04043200008	GREASE NIPPLE WITH CAP M8*1	1			
12	SOLIS-26,SONALIKA-26	10007881BA	TENSION SPRING	2		INTERCHANGE ABLE WITH 10007881BB (ROHS)	
12	SOLIS-24	10007881BB	TENSION SPRING	2			
12	SOLIS-26,SONALIKA-26	10007881BB	TENSION SPRING	2	YES	(ROHS) INTERCHANGE ABLE WITH	

Sr.	Model	Item Code	Description	Qty	Int.	Remarks	Cut Off
						10007881BA	
13	SOLIS-26,SONALIKA-26	10052725AC	ADJUSTABLE TIE ROD FOR BRAKE PEDAL 24HP	2			
13	SOLIS-26,SONALIKA-26	10052725AD	ADJUSTABLE TIE ROD FOR BRAKE PEDAL 24HP	2			
13	SOLIS-26,SONALIKA-26	10056880AA	BRAKE TIE ROD ASSY	2	NO	INTERCHANGEABLE WITH 10056880AC (ROHS)	AYJST634094G22
13	SOLIS-26,SONALIKA-26	10056880AB	BRAKE TIE ROD ASSY	2	YES		MEMGMKST640461G26
13	SOLIS-24	10052725AE	ADJUSTABLE TIE ROD FOR BRAKE PEDAL 24HP	2			
13	SOLIS-26,SONALIKA-26	10056880AC	BRAKE TIE ROD ASSY	2		(ROHS) INTERCHANGEABLE WITH 10056880AA	
14	SOLIS-26,SONALIKA-26	10005187AA	LINK PIN	4		INTERCHANGEABLE WITH 10087974AA (ROHS)	
14	SOLIS-24	10005187AB	LINK PIN	4			
14	SOLIS-26,SONALIKA-26	10087974AA	LINK ASSY	4	YES	(ROHS) INTERCHANGEABLE WITH 10005187AA	
15	SOLIS-26,SONALIKA-26	04010102025	SPLIT PIN DIA 2*25	4			
15	SOLIS-24	20003676AB	SPLIT PIN DIA 2*25	4		INTERCHANGEABLE WITH 20005526AA (ROHS)	
15	SOLIS-24	20005526AA	SPLIT PIN DIA 2*25	4		(ROHS) INTERCHANGEABLE WITH 20003676AB	
16	SOLIS-26,SONALIKA-26, SOLIS-24	10051138AA	BKT FOR BRAKE & CLUTCH SWITCH MTG.	1			
16	SOLIS-26,SONALIKA-26, SOLIS-24	10056881AB	BRACKET FOR CLUTCH SAFETY SWITCH	1	NO		MMKST627394G26D
17	SOLIS-26,SONALIKA-26, SOLIS-24	10053758AA	CLUTCH SAFETY SWITCH	1			
17	SOLIS-26,SONALIKA-26, SOLIS-24	10056627AA	CLUTCH SAFETY SWITCH	1	YES		MEMAMKSF550458G26
17	SOLIS-26,SONALIKA-26, SOLIS-24	10067785AA	NEUTRAL SAFETY SWITCH	1	NO	INTERCHANGEABLE WITH 10055924AA (ROHS)	MMKST627394G26D
17	SOLIS-26,SONALIKA-26, SOLIS-24	10055924AA	NEUTRAL SAFETY SWITCH	1	YES	(ROHS) INTERCHANGEABLE WITH 10067785AA	
18	SOLIS-26,SONALIKA-26	04042905030	SLOTTED CHEESE HD SCREW M5*30	2		INTERCHANGEABLE WITH 200000385A (ROHS)	
18	SOLIS-24	20005004AA	SLOTTEED CHEESE HEAD SCREWS M5*30	2			
18	SOLIS-26,SONALIKA-26	200000385A	SLOTTED CHEASE HEAD SCREW M5*30	2		(ROHS) INTERCHANGEABLE WITH 04042905030	

Sr.	Model	Item Code	Description	Qty	Int.	Remarks	Cut Off
19	SOLIS-26,SONALIKA-26	04030400005	SPRING WASHER B - 5	2			
19	SOLIS-24	20004378AC	SPRING WASHER B-5 TYPE-A IS: 3063:1972	2			
20	SOLIS-26,SONALIKA-26	10053401AC	PADEL RUBBER PAD	2		INTERCHANGE ABLE WITH 10053401AD (ROHS)	
20	SOLIS-24	10053401AD	PADEL RUBBER PAD	2			
20	SOLIS-26,SONALIKA-26	10053401AD	PADEL RUBBER PAD	2	YES	(ROHS) INTERCHANGE ABLE WITH 10053401AC	
21	SOLIS-26,SONALIKA-26	04030800010	M/CD WASHER DIA10.5*DIA21*2	4			
21	SOLIS-24	20000100AA	M/CD WASHER 10.5*21*2	4		INTERCHANGE ABLE WITH 20005625AA (ROHS)	
21	SOLIS-24	20005625AA	M/CD WASHER 10.5*21*2	4	YES	(ROHS) INTERCHANGE ABLE WITH 20000100AA	
22	SOLIS-26,SONALIKA-26	10005009AB	RUBBER SLEEVE	2		INTERCHANGE ABLE WITH 10005009AC (ROHS)	
22	SOLIS-24	10005009AC	RUBBER SLEEVE	2			
22	SOLIS-26,SONALIKA-26	10005009AC	RUBBER SLEEVE	2		(ROHS) INTERCHANGE ABLE WITH 10005009AB	
23	SOLIS-26,SONALIKA-26, SOLIS-24	10053335AA	BRAKES SPRING MTG BRACKET	1			
24	SOLIS-26,SONALIKA-26, SOLIS-24	10053450AB	BRAKE SWITCH MOUNTING BRACKET	1			
25	SOLIS-26,SONALIKA-26, SOLIS-24	20003357AB	HEX NUT M10 -8 SA2JS	2		NOT SHOWN, NEW PART ADDED WITH 10056881AB FROM	MMKST627394G 26D
26	SOLIS-26,SONALIKA-26, SOLIS-24	20004503AA	HEX Lock nut M16X1.5 SA2JS	1		NOT SHOWN, NEW PART ADDED WITH 10056881AB FROM	MMKST627394G 26D
26	SOLIS-26,SONALIKA-26, SOLIS-24	20005463AA	HEX LOCK NUT M16 SA4GS	1	YES	(ROHS) INTERCHANGE ABLE WITH 20004503AA	

18111A-1/1

BRAKE PEDAL ASSY.



Sr.	Model	Item Code	Description	Qty	Int.	Remarks	Cut Off
1	ALL MODELS	300030591A	BRAKE PEDAL SHAFT	1			
2	ALL MODELS	10053338AD	BRAKE PADEL ASSY LH	1		CHILD PART, BRAKE PEDAL ASSY.(L&R)	
3	ALL MODELS	10051143AA	FELT RING	2			
4	ALL MODELS	20004136AA	HEX HEAD BOLT M8X1.25X55	1		INTERCHANGE ABLE WITH 20005600AA (ROHS)	
4	ALL MODELS	20005600AA	HEX HEAD BOLT M8X55_8.8 SA4GS	1		(ROHS) INTERCHANGE ABLE WITH 20004136AA	
5	SOLIS-26 FACELIFT	04030800008	M/CD WASHER DIA 8.4 *DIA 17*1.6	1			

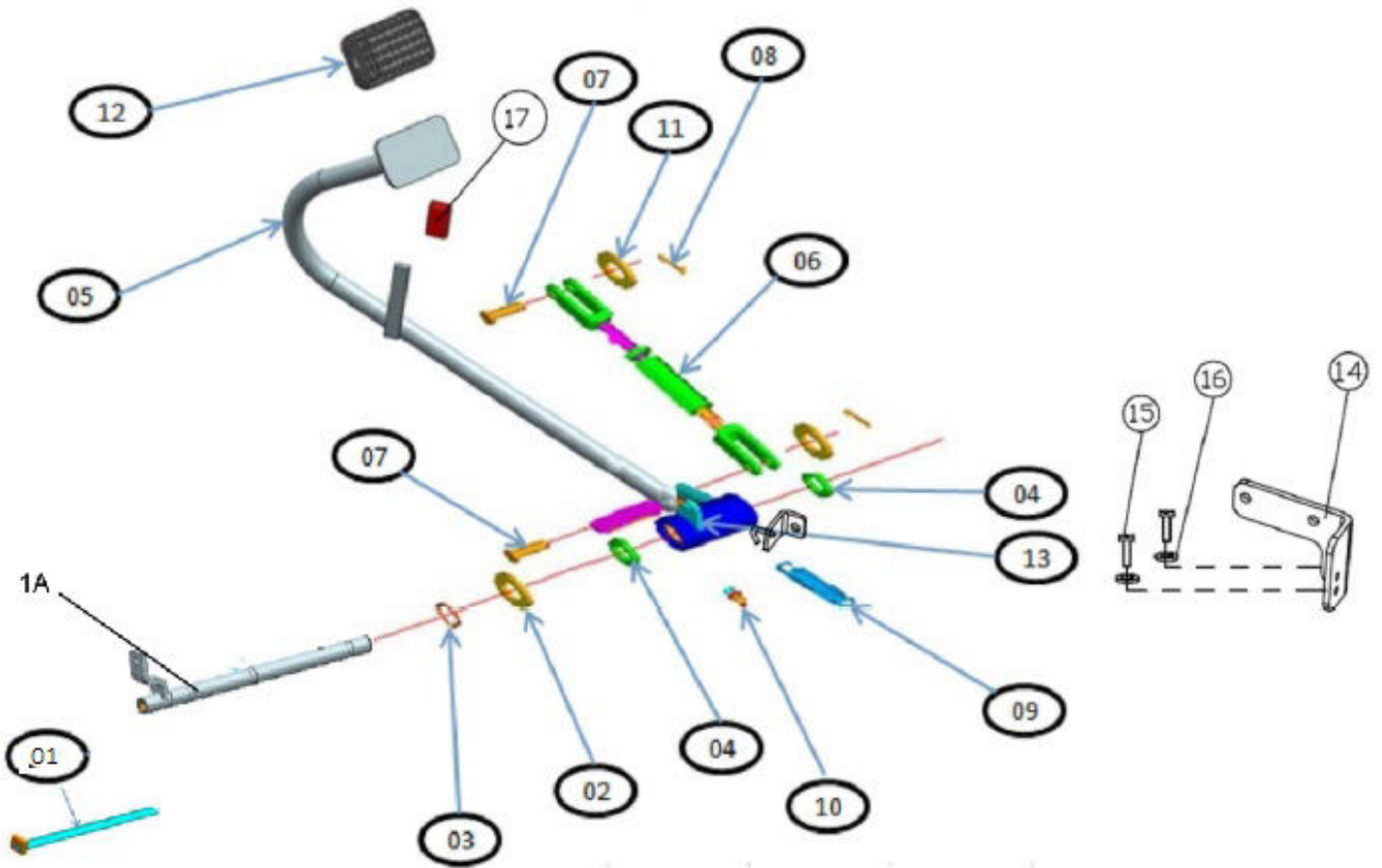
Sr.	Model	Item Code	Description	Qty	Int.	Remarks	Cut Off
5	SOLIS-24 EPA	20004935AB	PLAIN WASHER DIA 8.4 *DIA 17*1.6	1			
6	SOLIS-26 FACELIFT	04030400008	SPRING WASHER B-8	1		INTERCHANGEABLE WITH 20005517AA (ROHS)	
6	SOLIS-24 EPA	20005517AA	SPRING WASHER B-8 TYPE A IS: 3067-1972	1			
6	SOLIS-26 FACELIFT	20005517AA	SPRING WASHER B-8 TYPE A IS: 3067-1972	1	YES	(ROHS) INTERCHANGEABLE WITH 04030400008	
7	SOLIS-26 FACELIFT	20003355AB	HEX NUT M8X1.25 -8 SA2JS	1			
7	SOLIS-24 EPA	20005504AA	HEX NUT M8X1.25 -8 SA4GS	1			
8	ALL MODELS	10053339AE	BRAKE PEDAL RIGHT	1		BRAKE PEDAL ASSY.(L&R)	
9	ALL MODELS	20004134AA	EXTERNAL CIRCLIP A - 25	1			
10	SOLIS-26 FACELIFT	20004133AA	M/CD WASHER DIA26*DIA44*4	1		INTERCHANGEABLE WITH 20005623AA (ROHS)	
10	SOLIS-24 EPA	20005623AA	M/CD WASHER DIA26*DIA44*4	1			
10	SOLIS-26 FACELIFT	20005623AA	M/CD WASHER DIA26*DIA44*4	1	YES	(ROHS) INTERCHANGEABLE WITH 20004133AA	
11	SOLIS-26 FACELIFT	04043200008	GREASE NIPPLE WITH CAP M8*1	1			
11	SOLIS-24 EPA	20003460AC	GREASE NIPPLE WITH CAP M8*1	1			
12	SOLIS-26 FACELIFT	10007881BA	TENSION SPRING	2		INTERCHANGEABLE WITH 10007881BB (ROHS)	
12	SOLIS-24 EPA	10007881BB	TENSION SPRING	2			
12	SOLIS-26 FACELIFT	10007881BB	TENSION SPRING	2	YES	(ROHS) INTERCHANGEABLE WITH 10007881BA	
13	ALL MODELS	300023280C	BRAKE TIE ROD ASSY	2			
16	ALL MODELS	10056881AB	BRACKET FOR CLUTCH SAFETY SWITCH	1			
17	ALL MODELS	10067785AA	NEUTRAL SAFETY SWITCH	1		INTERCHANGEABLE WITH 10055924AA (ROHS)	
17	ALL MODELS	10055924AA	NEUTRAL SAFETY SWITCH	1	YES	(ROHS) INTERCHANGEABLE WITH 10067785AA	
18	SOLIS-26 FACELIFT	04042905030	SLOTTED CHEESE HD SCREW M5*30	2		INTERCHANGEABLE WITH 200000385A (ROHS)	
18	SOLIS-24 EPA	200000385A	SLOTTED CHEESE HD SCREW M5*30	2			
18	SOLIS-26 FACELIFT	200000385A	SLOTTED CHEESE HEAD SCREW M5*30	2		(ROHS) INTERCHANGEABLE WITH 04042905030	

Sr.	Model	Item Code	Description	Qty	Int.	Remarks	Cut Off
19	SOLIS-26 FACELIFT	04030400005	SPRING WASHER B - 5	2			
19	SOLIS-24 EPA	20005515AA	SPRING WASHER B-5 TYPE A IS: 3067-1972	2			
20	SOLIS-26 FACELIFT	10053401AC	PADEL RUBBER PAD	2		INTERCHANGE ABLE WITH 10053401AD (ROHS)	
20	SOLIS-24 EPA	10053401AD	PADEL RUBBER PAD	2			
20	SOLIS-26 FACELIFT	10053401AD	PADEL RUBBER PAD	2	YES	(ROHS) INTERCHANGE ABLE WITH 10053401AC	
22	SOLIS-26 FACELIFT	10005009AB	RUBBER SLEEVE	2		INTERCHANGE ABLE WITH 10005009AC (ROHS)	
22	SOLIS-24 EPA	10005009AC	RUBBER SLEEVE	2			
22	SOLIS-26 FACELIFT	10005009AC	RUBBER SLEEVE	2		(ROHS) INTERCHANGE ABLE WITH 10005009AB	
23	ALL MODELS	10053335AA	BRAKES SPRING MTG BRACKET	1			
24	ALL MODELS	10053450AB	BRAKE SWITCH MOUNTING BRACKET	1			
27	ALL MODELS	300030461A	PARKING BRAKE SHAFT ASSY	1			
28	ALL MODELS	300030663A	PARKING BRAKE TIE ROD	2			
29	SOLIS-26 FACELIFT	10003800AB	PIN FOR BRAKE ACTUATOR FORK	4		INTERCHANGE ABLE WITH 300031334A (ROHS)	
29	SOLIS-24 EPA	300031334A	PIN FOR BRAKE ACTUATOR FORK	4			
29	SOLIS-26 FACELIFT	300031334A	PIN FOR BRAKE ACTUATOR FORK	4	YES	(ROHS) INTERCHANGE ABLE WITH 10003800AB	
30	SOLIS-26 FACELIFT	20004382AA	SPLIT PIN DIA 2X16	6		INTERCHANGE ABLE WITH 300031807A (ROHS)	
30	SOLIS-24 EPA	20005527AA	SPLIT PIN DIA 1.6X20	6			
30	SOLIS-26 FACELIFT	300031807A	SPLIT PIN DIA 5*40	6		(ROHS) INTERCHANGE ABLE WITH 20004382AA	
31	ALL MODELS	20004356AA	HEX SCREW M8X1.25X12 8.8 SA3NS	2			
32	SOLIS-26 FACELIFT	04030400008	SPRING WASHER B-8	2		INTERCHANGE ABLE WITH 20005517AA (ROHS)	
32	SOLIS-24 EPA	20005517AA	SPRING WASHER B-8 TYPE A IS: 3067-1972	2			
32	SOLIS-26 FACELIFT	20005517AA	SPRING WASHER B-8 TYPE A IS: 3067-1972	2	YES	(ROHS) INTERCHANGE ABLE WITH 04030400008	
33	ALL MODELS	300030091A	LUG ASSY	1			

Sr.	Model	Item Code	Description	Qty	Int.	Remarks	Cut Off
34	ALL MODELS	20004150AA	Spring Cotter Sleeve(Dia 6X28)	1			

18120A-1/1

CLUTCH PEDAL ASSY.



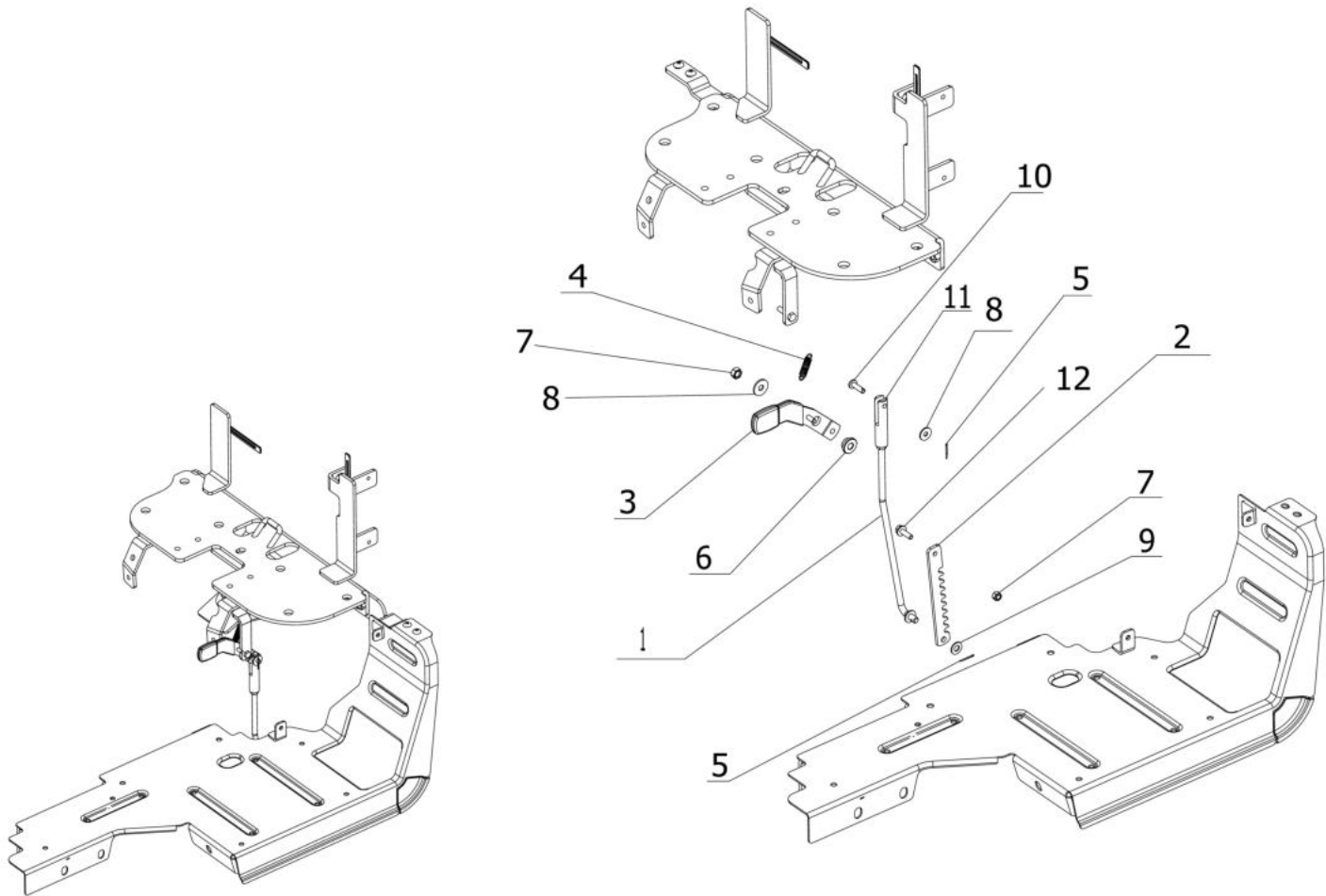
Sr.	Model	Item Code	Description	Qty	Int.	Remarks	Cut Off
1	SOLIS-26 EXCEPT FACELIFT, SONALIKA-26, SOLIS-24	10052621AB	BRAKE PEDAL SHAFT 24HP	1			
1A	SOLIS-26 FACELIFT, SOLIS-24 EPA	300030591A	BRAKE PEDAL SHAFT	1			
2	SOLIS-26, SONALIKA-26, SOLIS-24	20004133AA	M/CD WASHER DIA26*DIA44*4	1		INTERCHANGEABLE WITH 20005623AA (ROHS)	
2	SOLIS-24 EPA	20005623AA	M/CD WASHER DIA26*DIA44*4	1			
2	SOLIS-26, SONALIKA-26, SOLIS-24	20005623AA	M/CD WASHER DIA26*DIA44*4	1	YES	(ROHS) INTERCHANGEABLE WITH 20004133AA	
3	SOLIS-26, SONALIKA-26, SOLIS-24	20004134AA	EXTERNAL CIRCLIP A - 25	1			
4	SOLIS-26, SONALIKA-26, SOLIS-24	10051143AA	FELT RING	2			

Sr.	Model	Item Code	Description	Qty	Int.	Remarks	Cut Off
5	SOLIS-26,SONALIKA-26	10053337AB	CLUTCH PADEL ASSY	1			
5	SOLIS-26,SONALIKA-26, SOLIS-24	10053337AC	CLUTCH PADEL ASSY	1			
5	SOLIS-26,SONALIKA-26, SOLIS-24	10053337BA	CLUTCH PEDAL ASSY	1	NO		MMKST627394G 26D
6	SOLIS-26,SONALIKA-26	10051114AA	ADJUSTABLE TIE ROD (CLUTCH PEDAL)G.T.	1		INTERCHANGE ABLE WITH 10051114AB (ROHS)	
6	SOLIS-24	10051114AB	ADJUSTABLE TIE ROD (CLUTCH PEDAL)G.T.	1			
6	SOLIS-26,SONALIKA-26	10051114AB	ADJUSTABLE TIE ROD (CLUTCH PEDAL)G.T.	1	YES	(ROHS) INTERCHANGE ABLE WITH 10051114AA	
7	SOLIS-24	10005187AB	LINK PIN	2			
7	SOLIS-26,SONALIKA-26	10005187AA	LINK PIN	2		INTERCHANGE ABLE WITH 10087974AA (ROHS)	
7	SOLIS-24 EPA	10087974AA	LINK PIN	2			
7	SOLIS-26,SONALIKA-26	10087974AA	LINK ASSY	2	YES	(ROHS) INTERCHANGE ABLE WITH 10005187AA	
8	SOLIS-26,SONALIKA-26	04010102025	SPLIT PIN DIA 2*25	2			
8	SOLIS-24	20003676AB	SPLIT PIN DIA 2*25	2		INTERCHANGE ABLE WITH 20005526AA (ROHS)	
8	SOLIS-24 EPA	20005526AA	SPLIT PIN DIA 2*25	2			
8	SOLIS-24	20005526AA	SPLIT PIN DIA 2*25	2		(ROHS) INTERCHANGE ABLE WITH 20003676AB	
9	SOLIS-26,SONALIKA-26	10007881BA	TENSION SPRING	1		INTERCHANGE ABLE WITH 10007881BB (ROHS)	
9	SOLIS-24	10007881BB	TENSION SPRING	1			
9	SOLIS-26,SONALIKA-26	10007881BB	TENSION SPRING	1	YES	(ROHS) INTERCHANGE ABLE WITH 10007881BA	
10	SOLIS-26,SONALIKA-26, SOLIS-24	04043200008	GREASE NIPPLE WITH CAP M8*1	1			
10	SOLIS-24 EPA	20003460AC	GREASE NIPPLE WITH CAP M8*1	1			
11	SOLIS-26,SONALIKA-26	04030800010	M/CD WASHER DIA 10.5*DIA21*2	2			
11	SOLIS-24	20000100AA	M/CD WASHER 10.5*21*2	2		INTERCHANGE ABLE WITH 20005625AA (ROHS)	
11	SOLIS-24 EPA	20005625AA	M/CD WASHER 10.5*21*2	2			
11	SOLIS-24	20005625AA	M/CD WASHER 10.5*21*2	2	YES	(ROHS) INTERCHANGE ABLE WITH 20000100AA	

Sr.	Model	Item Code	Description	Qty	Int.	Remarks	Cut Off
12	SOLIS-26,SONALIKA-26	10053401AC	PADEL RUBBER PAD	1		INTERCHANGEABLE WITH 10053401AD (ROHS)	
12	SOLIS-24	10053401AD	PADEL RUBBER PAD	1			
12	SOLIS-26,SONALIKA-26	10053401AD	PADEL RUBBER PAD	1	YES	(ROHS) INTERCHANGEABLE WITH 10053401AC	
13	SOLIS-26,SONALIKA-26, SOLIS-24	10053336AA	CLUTCH SPRING MTG BRACKET	1			
13	SOLIS-26,SONALIKA-26, SOLIS-24	10053336AB	CLUTCH SPRING MTG BRACKET	1	YES		MMKST623878G 26
14	SOLIS-26,SONALIKA-26, SOLIS-24	10053451AB	CLUTCH MOUNTING BRACKET	1			
15	SOLIS-26,SONALIKA-26	04042905030	SLOTTED CHEESE HD SCREW M5*30	2		INTERCHANGEABLE WITH 200000385A (ROHS)	
15	SOLIS-24	20005004AA	SLOTTEED CHEESE HEAD SCREWS M5*30	2			
15	SOLIS-24 EPA	200000385A	SLOTTEED CHEESE HEAD SCREWS M5*30	2			
15	SOLIS-26,SONALIKA-26	200000385A	SLOTTED CHEESE HEAD SCREW M5*30	2		(ROHS) INTERCHANGEABLE WITH 04042905030	
16	SOLIS-26,SONALIKA-26	04030400005	SPRING WASHER B - 5	2			
16	SOLIS-24	20004378AC	SPRING WASHER B-5 TYPE-A IS: 3063:1972	2			
16	SOLIS-24 EPA	20005515AA	SPRING WASHER B-5 TYPE A IS: 3067-1972	2			
17	SOLIS-26,SONALIKA-26	10005009AB	RUBBER SLEEVE	2		INTERCHANGEABLE WITH 10005009AC (ROHS)	
17	SOLIS-24	10005009AC	RUBBER SLEEVE	2			
17	SOLIS-26,SONALIKA-26	10005009AC	RUBBER SLEEVE	2		(ROHS) INTERCHANGEABLE WITH 10005009AB	

18130A-1/1

PARKING BRAKE ASSY.



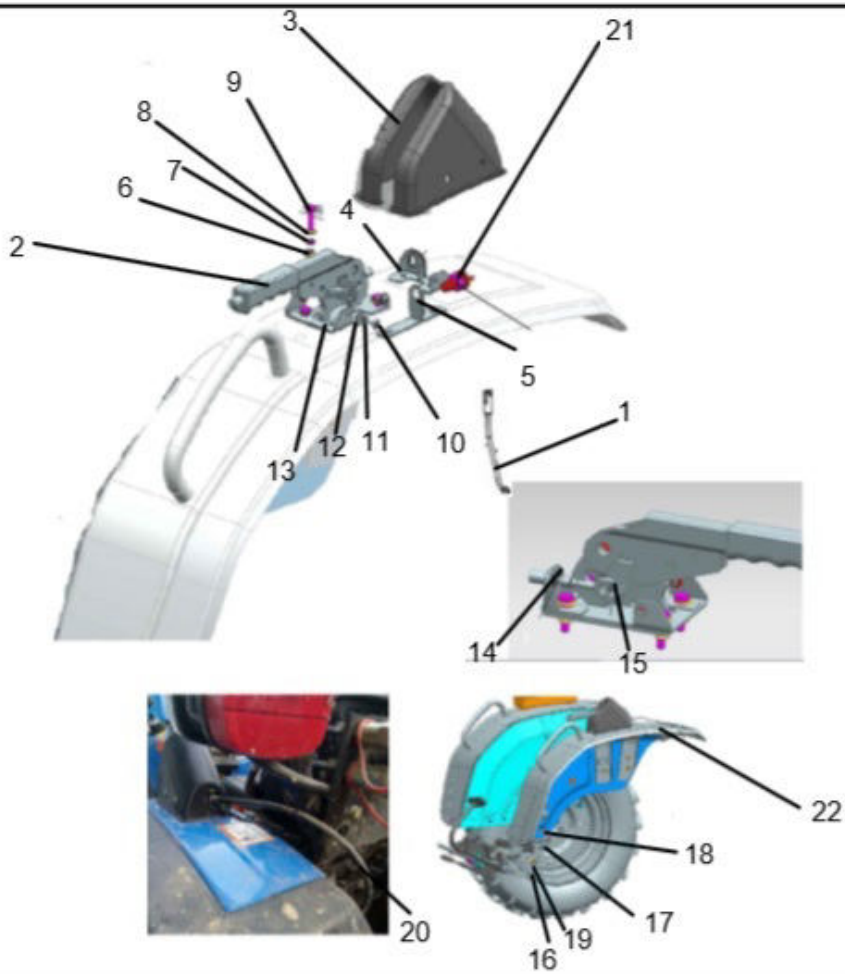
Sr.	Model	Item Code	Description	Qty	Int.	Remarks	Cut Off
1	SOLIS-26,SONALIKA-26	10053703AA	PARKING BRAKE LINK	1			
1	SOLIS-26,SONALIKA-26	10053703AB	PARKING BRAKE LINK	1	YES	INTERCHANGEABLE WITH 10053703AD (ROHS)	MEMGMKSF555623G26
1	SOLIS-24	10053703AB	PARKING BRAKE LINK	1		INTERCHANGEABLE WITH 10053703AD (ROHS)	
1	SOLIS-24	10053703AB	PARKING BRAKE LINK	1		INTERCHANGEABLE WITH 10053703AD (ROHS)	
1	SOLIS-26,SONALIKA-26	10053703AD	PARKING BRAKE LINK	1		(ROHS) INTERCHANGEABLE WITH	

Sr.	Model	Item Code	Description	Qty	Int.	Remarks	Cut Off
						10053703AB	
1	SOLIS-24	10053703AD	PARKING BRAKE LINK	1		(ROHS) INTERCHANGE ABLE WITH 10053703AB	
1	SOLIS-24	10053703AD	PARKING BRAKE LINK	1		(ROHS) INTERCHANGE ABLE WITH 10053703AB	
2	SOLIS-26,SONALIKA-26	10053702AA	LATCH FOR PARKING BRAKE	1			
2	SOLIS-26,SONALIKA-26	10053702AC	LATCH FOR PARKING BRAKE	1	YES		MEMGMKSF555 623G26
2	SOLIS-24	10053702AC	LATCH FOR PARKING BRAKE	1			
2	SOLIS-24	10053702AC	LATCH FOR PARKING BRAKE	1			
3	SOLIS-26,SONALIKA-26	10053704AA	PARKING BRAKE LEVER	1			
3	SOLIS-26,SONALIKA-26	10053704AB	PARKING BRAKE LEVER	1			
3	SOLIS-24	10053704AD	PARKING BRAKE LEVER	1			
3	SONALIKA-26 FACELIFT	10056153AB	PARKING BRAKE LEVER	1			
4	SOLIS-26,SONALIKA-26	10053788AA	SPRING FOR PARKING BRAKE	1			
4	SOLIS-26,SONALIKA-26	10053788AB	SPRING FOR PARKING BRAKE	1		INTERCHANGE ABLE WITH 10087927AA (ROHS)	
4	SOLIS-24	10053788AC	SPRING FOR PARKING BRAKE	1			
4	SOLIS-26,SONALIKA-26	10087927AA	SPRING FOR PARKING BRAKE	1		(ROHS) INTERCHANGE ABLE WITH 10053788AB	
5	SOLIS-26,SONALIKA-26	04010116020	SPLIT PIN DIA 1.6*20	2		INTERCHANGE ABLE WITH 20005527AA (ROHS)	
5	SOLIS-24	20003682AB	SPLIT PIN DIA 1.6*20	2			
5	SOLIS-26,SONALIKA-26	20005527AA	SPLIT PIN DIA 1.6*20	2		(ROHS) INTERCHANGE ABLE WITH 04010116020	
6	SOLIS-26,SONALIKA-26	10053759AA	BUSH FOR PARKING BRAKE	1		CHILD PART OF 10053704AB	
7	SOLIS-26,SONALIKA-26	04041000006	HEX NYLOC NUT M6	2		INTERCHANGE ABLE WITH 20004915AB (ROHS)	
7	SOLIS-24	20004915AB	HEXNYLOCNUTM6	2			
7	SOLIS-26,SONALIKA-26	20004915AB	HEX NYLOC NUT M6 8	2	YES	(ROHS) INTERCHANGE ABLE WITH 04041000006	
8	SOLIS-26,SONALIKA-26	04030600006	PLAIN WASHER DIA 6.4 *DIA 18 *1.5	2			
8	SOLIS-24	20003389AB	PLAIN WASHER A 6.4 IS:5370 STEEL	2			

Sr.	Model	Item Code	Description	Qty	Int.	Remarks	Cut Off
9	SOLIS-26,SONALIKA-26	04030600008	PLAIN WASHER DIA 8.4 *DIA 17*1.6	1			
9	SOLIS-24	20003658AB	PUNCHED WASHER A (9) IS:2016 STEEL	1			
10	SOLIS-26,SONALIKA-26	10004164AB	PIN FOR ACCELATOR DIA 6X20	1		INTERCHANGEABLE WITH 300031308A (ROHS)	
10	SOLIS-24	10004164AC	PIN FOR ACCELATOR DIA 6X20	1			
10	SOLIS-26,SONALIKA-26	300031308A	PIN FOR ACCELATOR	1		(ROHS) INTERCHANGEABLE WITH 10004164AB	
11	SOLIS-26,SONALIKA-26	10004163AB	FRONT FORK	1			
11	SOLIS-24	10004163AC	FRONT FORK	1		INTERCHANGEABLE WITH 10057668AA (ROHS)	
11	SOLIS-24	10057668AA	FRONT FORK	1		(ROHS) INTERCHANGEABLE WITH 10004163AC	
12	SOLIS-26,SONALIKA-26	20003517AA	HEX FLANGE SCREW M6*1*16-8.8 SA2JS	1			
12	SOLIS-24	20003517AB	HEX FLANGE SCREW M6*1*16-8.8 SA4JS	1		INTERCHANGEABLE WITH 20005542AA (ROHS)	
12	SOLIS-24	20005542AA	HEX FLANGE SCREW M6*1*16 -8.8 SA4GS	1	YES	(ROHS) INTERCHANGEABLE WITH 20003517AB	

18131A-1/1

PARKING BRAKE



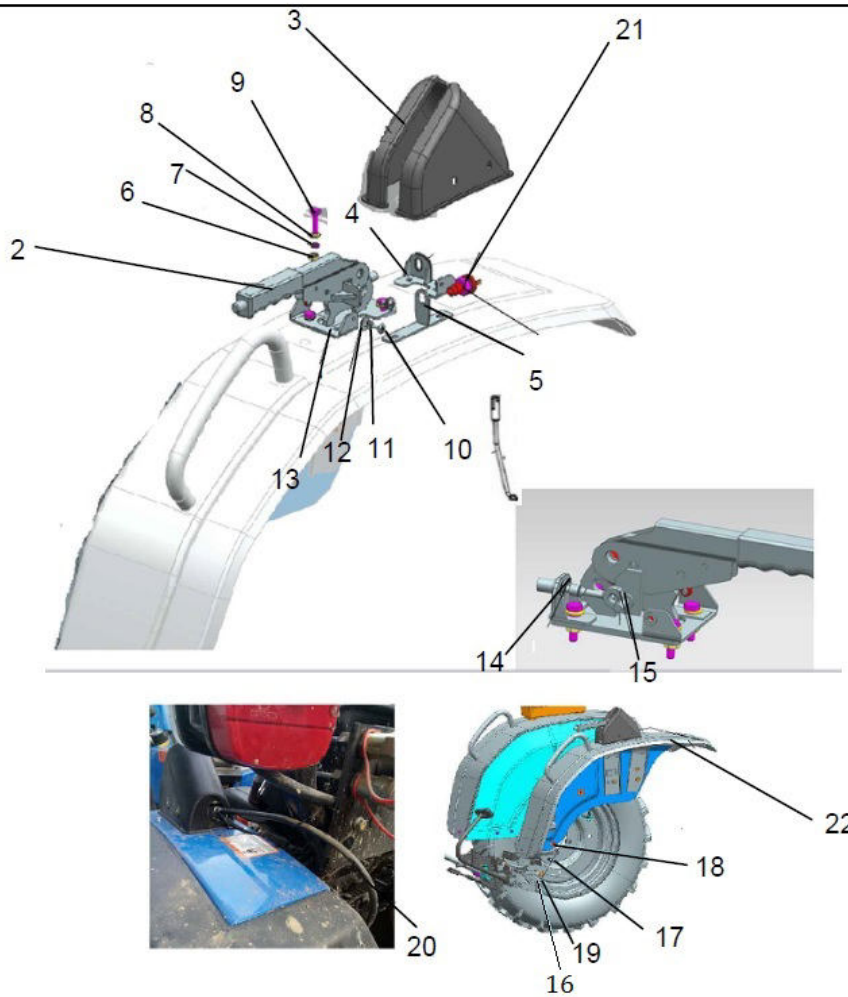
Sr.	Model	Item Code	Description	Qty	Int.	Remarks	Cut Off
1	ALL MODELS	10053703AB	PARKING BRAKE LINK	null		INTERCHANGEABLE WITH 10053703AD (ROHS)	
1	ALL MODELS	10053703AD	PARKING BRAKE LINK	null		(ROHS) INTERCHANGEABLE WITH 10053703AB	
2	ALL MODELS	300009648B	HANDLE FOR PARKING BRAKE	1			
2	ALL MODELS	10056153AA	PARKING BRAKE LEVER	1		INTERCHANGEABLE WITH 10056153AB (ROHS)	
2	ALL MODELS	10056153AB	PARKING BRAKE LEVER	1	NO	Following parts are (300009619A,	FOR NON EU MODELS-AMKSS837632G

Sr.	Model	Item Code	Description	Qty	Int.	Remarks	Cut Off
						10057452AE, 10056153AA) interchangeable as a set with (300009619B, 10084733AA, 10004984AA, 10057452AH, 10056153AB)	26 FOR EU MODELS- MEMRMKNSA KH04862
2	ALL MODELS	10056153AB	PARKING BRAKE LEVER	1		(ROHS) INTERCHANGE ABLE WITH 10056153AA	
3	ALL MODELS	300017065B	PARKING BRAKE COVER	1			
4	ALL MODELS	300030621A	PARKING BRAKE COVER MTG BKT ASSY W/O PAINT	1			
4	ALL MODELS	300030622A	PARKING BRAKE COVER MTG BKT ASSY BLACK PAINT	1			
5	ALL MODELS	300030293A	SAFETY SWITCH MTG BRACKET ASSY W/O PAINT	1			
5	ALL MODELS	300030294A	SAFETY SWITCH MTG BRACKET ASSY BLACK PAINT	1			
6	ALL MODELS	20003355AB	HEX NUT M8X1.25 -8 SA2JS	4			
7	ALL MODELS	04030400008	SPRING WASHER B-8	4		INTERCHANGE ABLE WITH 20005517AA (ROHS)	
7	ALL MODELS	20005517AA	SPRING WASHER B-8 TYPE A IS: 3067-1972	4	YES	(ROHS) INTERCHANGE ABLE WITH 04030400008	
8	ALL MODELS	04030600008	PLAIN WASHER DIA 8.4 *DIA 17*1.6	4			
9	ALL MODELS	20003285AB	HEX. HEAD SCREW M8 x 1.25-25 8-8 SA2JS	4			
10	ALL MODELS	10067947AA	CROSS SLOTTED TRUSS HEAD SCREW M6X16	4			
11	ALL MODELS	04030400006	SPRING WASHER B-6	4			
12	ALL MODELS	04030600006	PLAIN WASHER DIA 6.4 *DIA 18 *1.5	4			
13	ALL MODELS	300017070B	PARKING BRAKE COVER MTG BKT	1			
14	ALL MODELS	10083690AA	CIRCLIP	2			
15	ALL MODELS	04010102025	SPLIT PIN DIA 2*25	3			
16	ALL MODELS	10083093AA	FORK PARKING BRAKE	1		INTERCHANGE ABLE WITH 300031864A (ROHS)	
16	ALL MODELS	300031864A	FORK FOR PARKING BRAKE	1		(ROHS) INTERCHANGE ABLE WITH 10083093AA	
17	ALL MODELS	300030018A	MOUNTING BRACKET FOR CABLE MTG	1			
18	ALL MODELS	20002015AB	HEX HEAD SCREW M10x1.5x25 8-8 SA2JS	2			
19	ALL MODELS	10083095AA	ES BOLT (FOR10X20 FORK HEAD) WITH SECURI	1			
20	ALL MODELS	300009631B	PARKING BRAKE CABLE LH	1			

Sr.	Model	Item Code	Description	Qty	Int.	Remarks	Cut Off
21	ALL MODELS	20004503AA	HEX Lock nut M16X1.5 SA2JS	1		INTERCHANGEABLE WITH 20005463AA (ROHS)	
21	ALL MODELS	20005463AA	HEX LOCK NUT M16 SA4GS	1	YES	(ROHS) INTERCHANGEABLE WITH 20004503AA	
22	ALL MODELS	300023144C	FENDER ASSY LH (BLUE)	1			
22	ALL MODELS	300009942C	FENDER ASSY LH W/O PAINT G.T. -26	1			

18132A-1/1

PARKING BRAKE

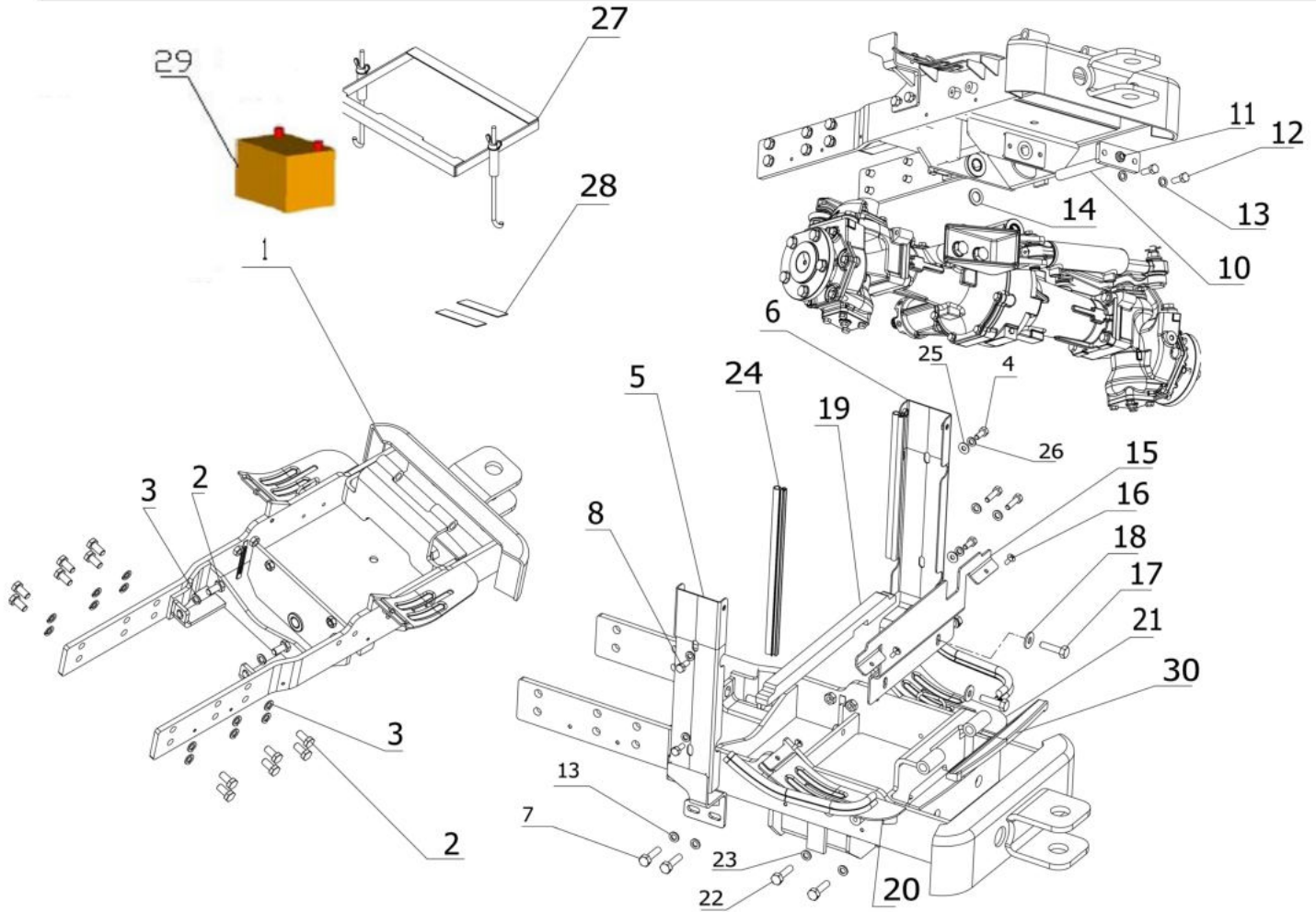


Sr.	Model	Item Code	Description	Qty	Int.	Remarks	Cut Off
2	ALL MODELS	300009648B	HANDLE FOR PARKING BRAKE	1			
3	ALL MODELS	300017065B	PARKING BRAKE COVER	1			
4	ALL MODELS	300030621A	PARKING BRAKE COVER MTG BKT ASSY W/O PAINT	1			
4	ALL MODELS	300030622A	PARKING BRAKE COVER MTG BKT ASSY BLACK PAINT	1			
5	ALL MODELS	300030293A	SAFETY SWITCH MTG BRACKET ASSY W/O/ PAINT	1			
5	ALL MODELS	300030294A	SAFETY SWITCH MTG BRACKET ASSY BLACK PAINT	1			
6	ALL MODELS	20005504AA	HEX NUT M8X1.25 -8 SA4GS	4			
7	ALL MODELS	20005517AA	SPRING WASHER B-8 TYPE A IS: 3067-1972	4			

Sr.	Model	Item Code	Description	Qty	Int.	Remarks	Cut Off
8	ALL MODELS	20004935AB	PLAIN WASHER DIA 8.4 *DIA 17*1.6	4			
9	ALL MODELS	20005564AA	HEX HEAD SCREW M8X1.25-25 -8.8 SA4GS	4			
10	ALL MODELS	10067947AB	CROSS SLOTTED TRUSS HEAD SCREW M6X16	4			
11	ALL MODELS	20005516AA	SPRING WASHER B-6 TYPE A IS: 3067-1972	4			
12	ALL MODELS	20005524AA	PLAIN WASHER DIA 6.4 *DIA 18 *1.5	4			
13	ALL MODELS	300017070B	PARKING BRAKE COVER MTG BKT	1			
14	ALL MODELS	10083690AA	CIRCLIP	2			
15	ALL MODELS	20005526AA	SPLIT PIN DIA 2*25	3			
16	ALL MODELS	300031864A	FORK FOR PARKING BRAKE	1			
17	ALL MODELS	300030018A	MOUNTING BRACKET FOR CABLE MTG	1			
18	ALL MODELS	20005553AA	HEX HEAD SCREW M10X1.5X25 SA4GS	2			
19	ALL MODELS	300031850A	ES BOLT WIYH SECURING COLLAR	1			
20	ALL MODELS	300009631B	PARKING BRAKE CABLE LH	1			
21	ALL MODELS	20005463AA	HEX LOCK NUT M16 SA4GS	1			
22	ALL MODELS	10055969BB	FENDER ASSY LH (BLUE)	1			
22	ALL MODELS	10055966BB	FENDER ASSY LH W/O PAINT G.T. -26	1			

19110A-1/1

FRONT AXLE BKT. & RELATED



Sr.	Model	Item Code	Description	Qty	Int.	Remarks	Cut Off
1	SOLIS-26,SONALIKA-26	10053384AB	FRT AXLE BKT GT26 EEC	1			
1	SOLIS-26,SONALIKA-26	10053384AD	FRT AXLE BKT GT26 EEC	1			
1	SOLIS-26,SONALIKA-26, SOLIS-24	10053384AE	FRT AXLE BKT GT26 EEC	1	YES		MEMGMKSF554 589G26
2	SOLIS-26,SONALIKA-26	20004154AB	HEX SCREW M12X1.25X25	14		AB REV REGULER	
2	SOLIS-24,SONALIKA-24	20004154AC	HEX SCREW M12X1.25X25 SA4JS	14			
3	SOLIS-26,SONALIKA-26	04030400012	SPRING WASHER B-12	14			
3	SOLIS-24	20004993AA	SPRING WASHER B-12TYPE-A IS: 3063-1972	14			
4	SOLIS-26,SONALIKA-26	20003285AB	HEX SCREW M8X1.25X30 8-8 SA2JS	2			

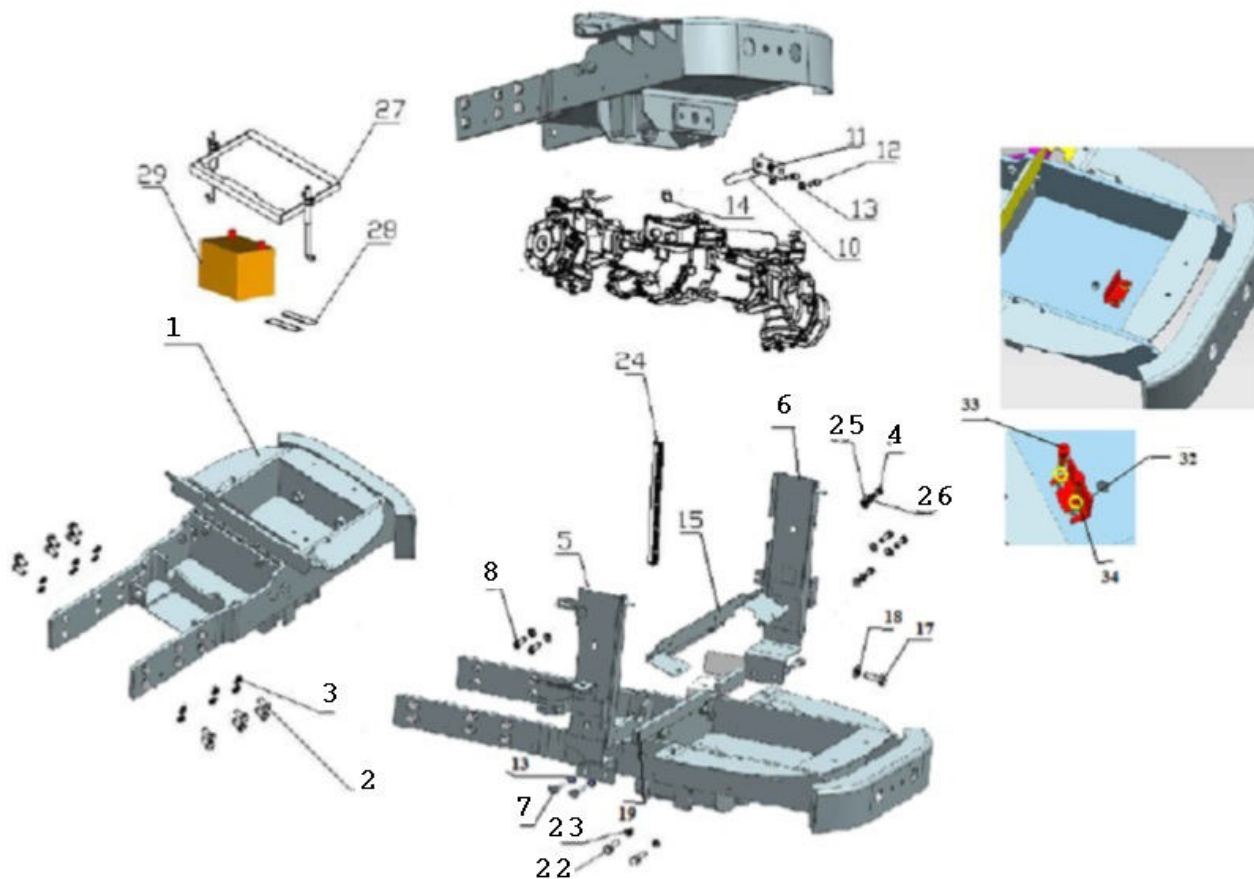
Sr.	Model	Item Code	Description	Qty	Int.	Remarks	Cut Off
4	SOLIS-24	20003285AC	HEX SCREW M8X1.25X30 8-8 SA4JS	2			
5	SOLIS-26,SONALIKA-26	10052504AB	RADIATOR MTG BKT RH 24HP	1			
5	SOLIS-26,SONALIKA-26	10052504AD	RADIATOR MTG BKT ASSY RH	1			
5	SOLIS-24	10052504AE	RADIATOR MTG BKT ASSY RH	1			
6	SOLIS-26,SONALIKA-26	10052505AC	RADIATOR MTG BKT LH 24HP	1			
6	SOLIS-26,SONALIKA-26, SOLIS-24	10052505AE	RADIATOR MTG BKT ASSY LH	1			
6	SOLIS-24	10052505AF	RADIATOR MTG BKT ASSY LH	1			
7	SOLIS-26,SONALIKA-26	20003991AA	HEX BOLT M10X1.6X40	4		INTERCHANGE ABLE WITH 20005544AA (ROHS)	
7	SOLIS-24	20003991AC	HEX BOLT M10X1.6X40 SA4JS	4			
7	SOLIS-26,SONALIKA-26	20005544AA	HEX BOLT M10X1.5X40 SA4GS	4		(ROHS) INTERCHANGE ABLE WITH 20003991AA	
8	SOLIS-26,SONALIKA-26	20001096AA	HEX. HEAD SCREW M8 X 1.25 X 20 8-8 SA2JS	2		INTERCHANGE ABLE WITH 20005565AA (ROHS)	
8	SOLIS-24	20001096AB	HEX. HEAD SCREW M8 X 1.25 X 20 8-8 SA4JS	2			
8	SOLIS-26,SONALIKA-26	20005565AA	HEX HEAD SCREW M8X1.25X20 -8.8 SA4GS	2	YES	(ROHS) INTERCHANGE ABLE WITH 20001096AA	
9	SOLIS-26,SONALIKA-26	04030400008	SPRING WASHER B-8	2		INTERCHANGE ABLE WITH 20005517AA (ROHS)	
9	SOLIS-24	20003670AC	SPRING WASHER B-8 TYPE-A IS: 3063-1972	2			
9	SOLIS-26,SONALIKA-26	20005517AA	SPRING WASHER B-8 TYPE A IS: 3067-1972	2	YES	(ROHS) INTERCHANGE ABLE WITH 04030400008	
10	SOLIS-26,SONALIKA-26, SOLIS-24	10051043BA	PIVOT PIN ASSY	1			
11	SOLIS-26,SONALIKA-26, SOLIS-24	04043200008	GREASE NIPPLE WITH CAP M8*1	1			
12	SOLIS-26,SONALIKA-26, SOLIS-24	20003235AB	HEX SCREW M10X20	2			
13	SOLIS-26,SONALIKA-26	04030400010	SPRING WASHER B-10	6			
13	SOLIS-24	20003671AC	SPRING WASHER B-10 TYPE-A IS: 3063-1972	6		INTERCHANGE ABLE WITH 20005518AA (ROHS)	
13	SOLIS-24	20005518AA	SPRING WASHER B-10 TYPE A IS: 3067-1972	6	YES	(ROHS) INTERCHANGE ABLE WITH 20003671AC	
14	SOLIS-26,SONALIKA-26, SOLIS-24	10051046AA	THRUST WASHER	1			
15	SOLIS-26,SONALIKA-26	10053733AA	SEALING PLATE BACK	1			
15	SOLIS-26,SONALIKA-26, SOLIS-24	10054145AC	SEALING PLATE BACK	1			

Sr.	Model	Item Code	Description	Qty	Int.	Remarks	Cut Off
16	SOLIS-26,SONALIKA-26	20003931AA	CROSS SLOTTED TRUSS HEAD SCREW M6	2			
16	SOLIS-24	20004866AB	CROSS SLOTTED TRUSS HEAD SCREW M6X12	2			
17	SOLIS-26,SONALIKA-26	20003515AA	HEX FLANGE SCREW M10*1.5*25-8.8 SA2JS	2		INTERCHANGEABLE WITH 20005540AA (ROHS)	
17	SOLIS-24	20003515AB	HEX FLANGE SCREW M10*1.5*25-8.8 SA4JS	2			
17	SOLIS-26,SONALIKA-26	20005540AA	HEX FLANGE SCREW M10*1.5*25-8.8 SA4GS	2		(ROHS) INTERCHANGEABLE WITH 20003515AA	
18	SOLIS-26,SONALIKA-26	04030800010	M/CDWASHERDIA10.5*DIA21*2	2			
18	SOLIS-24	20000100AA	M/CD WASHER 10.5*21*2	2		INTERCHANGEABLE WITH 20005625AA (ROHS)	
18	SOLIS-24	20005625AA	M/CD WASHER 10.5*21*2	2	YES	(ROHS) INTERCHANGEABLE WITH 20000100AA	
19	SOLIS-26,SONALIKA-26	10053721AA	RADIATOR BOTTOM SEALING FOAM	1			
19	SOLIS-26,SONALIKA-26	10054142AB	RADIATOR SEALING FOAM	1		INTERCHANGEABLE WITH 10054142AC (ROHS)	
19	SOLIS-24	10054142AC	RADIATOR SEALING FOAM	1			
19	SOLIS-26,SONALIKA-26	10054142AC	RADIATOR SEALING FOAM	1	YES	(ROHS) INTERCHANGEABLE WITH 10054142AB	
20	SOLIS-26,SONALIKA-26	10053741AA	BONNET STOPPER RH	1		10053741AA AND CHILD PART (20003285AB, 04030400008,0 4041000008) ARE DELETE FROM	LMKSG805996G26
20	SOLIS-24	10053741AC	BONNET STOPPER RH	1			
21	SOLIS-26,SONALIKA-26	10053359AA	BONNET STOPPER BRACKET	1		INTERCHANGEABLE WITH 10053359AC (ROHS)	
21	SOLIS-24	10053359AC	BONNET STOPPER BRACKET	1			
21	SOLIS-26,SONALIKA-26	10053359AC	BONNET STOPPER BRACKET	1		(ROHS) INTERCHANGEABLE WITH 10053359AA	
22	SOLIS-26,SONALIKA-26	20003285AB	HEX SCREW M8X1.25X30 8-8 SA2JS	4			
22	SOLIS-24	20003285AC	HEX SCREW M8X1.25X30 8-8 SA4JS	4			
23	SOLIS-26,SONALIKA-26	04030400008	SPRING WASHER B-8	4		INTERCHANGEABLE WITH 20005517AA (ROHS)	
23	SOLIS-24	20003670AC	SPRING WASHER B-8 TYPE-A IS: 3063-1972	4			

Sr.	Model	Item Code	Description	Qty	Int.	Remarks	Cut Off
23	SOLIS-26,SONALIKA-26	20005517AA	SPRING WASHER B-8 TYPE A IS: 3067-1972	4	YES	(ROHS) INTERCHANGE ABLE WITH 04030400008	
24	SOLIS-26,SONALIKA-26, SOLIS-24	10051645AB	RADIATOR BEEDING - GT RH	2		INTERCHANGE ABLE WITH 10051645AC (ROHS)	
24	SOLIS-26,SONALIKA-26, SOLIS-24	10051645AC	RADIATOR BEEDING - GT RH	2		(ROHS) INTERCHANGE ABLE WITH 10051645AB	
25	SOLIS-26,SONALIKA-26, SOLIS-24	04030600008	PLAIN WASHER DIA 8.4 *DIA 17*1.6	2			
26	SOLIS-26,SONALIKA-26	04030400008	SPRING WASHER B-8	2		INTERCHANGE ABLE WITH 20005517AA (ROHS)	
26	SOLIS-24	20003670AC	SPRING WASHER B-8 TYPE-A IS: 3063-1972	2			
26	SOLIS-26,SONALIKA-26	20005517AA	SPRING WASHER B-8 TYPE A IS: 3067-1972	2	YES	(ROHS) INTERCHANGE ABLE WITH 04030400008	
27	SOLIS-26,SONALIKA-26	10051047BB	BATTERY MTG ARRANGEMENT (CLAMP ASSY)	1			
27	SOLIS-26,SONALIKA-26	10054084AA	BATTERY CLAMP ASSY(FOR GT26)	1		INTERCHANGE ABLE WITH 10054084AC (ROHS)	
27	SOLIS-24	10054084AB	BATTERY CLAMP ASSY(FOR GT26)	1			
27	SOLIS-26,SONALIKA-26	10054084AC	BATTERY CLAMP ASSY.	1		(ROHS) INTERCHANGE ABLE WITH 10054084AA	
28	SOLIS-26,SONALIKA-26	10051241AA	RUBBER FLAP	2			
28	SOLIS-24	10055147AA	RUBBER FLAP	2			
29	SOLIS-26,SONALIKA-26	10051303AA	BATTERY	1			
29	SOLIS-26,SONALIKA-26	10055128AA	MAINTENANCE FREE BATTERY 12V, 65AH & 540	1	YES		KMGST689791G
29	SOLIS-24	10055128AA	MAINTENANCE FREE BATTERY 12V, 65AH & 540	1			
30	SOLIS-26,SONALIKA-26	10053783AA	BONNET FRONT FOAM	1			
31	SOLIS-26,SONALIKA-26	10054144AA	FOAM FOR RADIATOR SEALING	2			
32	SOLIS-26,SONALIKA-26	04041000008	HEX NYLOCK NUT M8*1.25	1		NOT SHOWN	

19111A-1/1

FRONT AXLE BKT. & RELATED



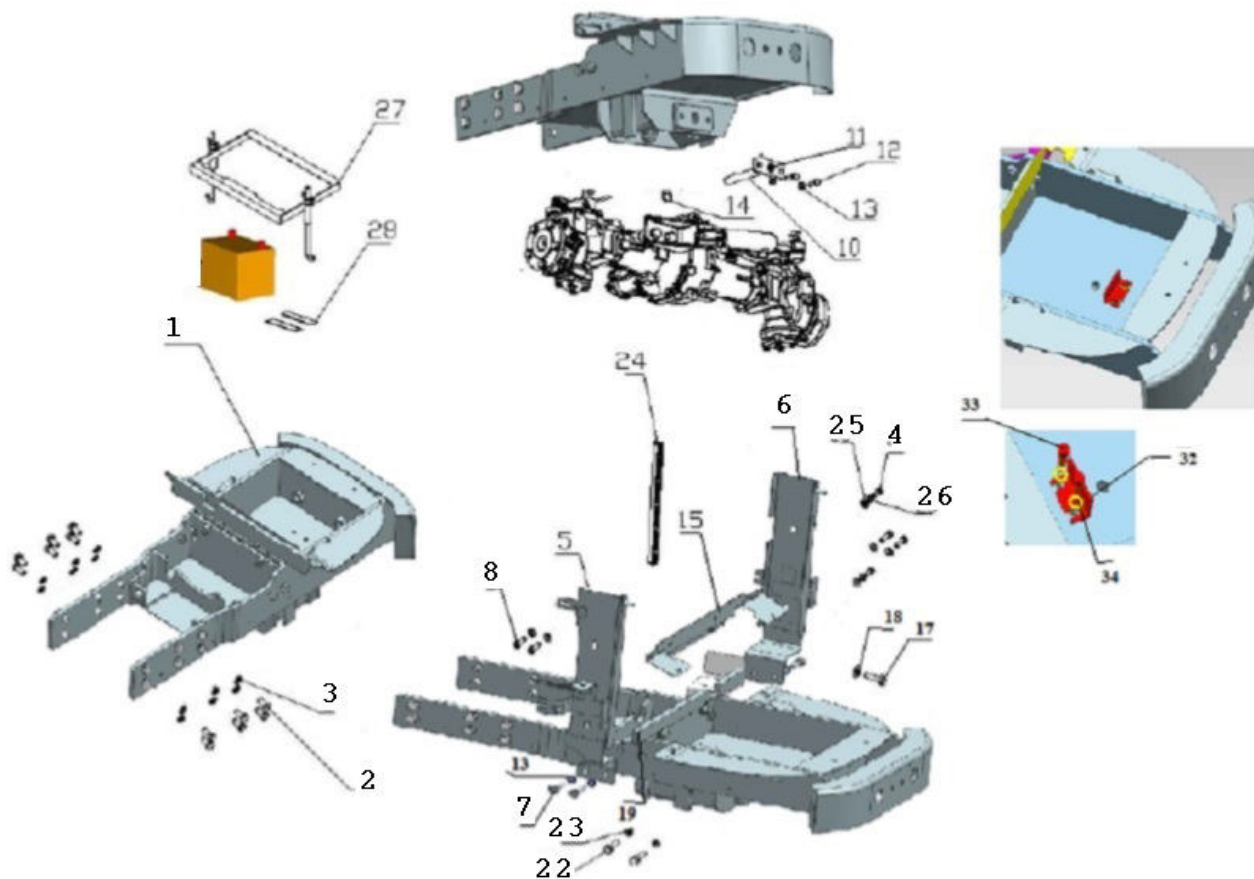
Sr.	Model	Item Code	Description	Qty	Int.	Remarks	Cut Off
1	ALL MODELS	10057720AB	FRT AXLE BKT ASSY	1			
1	SONALIKA-26 FACELIFT	10057720AE	FRT AXLE BKT ASSY	1			
2	ALL MODELS	20004154AB	HEX SCREW M12X1.25X25	14		INTERCHANGEABLE WITH 20005557AA (ROHS)	
2	ALL MODELS	20005557AA	HEX SCREW M12X1.25X25 SA4GS	14		(ROHS) INTERCHANGEABLE WITH 20004154AB	
3	ALL MODELS	04030400012	SPRING WASHER B-12	14			
4	ALL MODELS	20003285AB	HEX SCREW M8X1.25X30 8-8 SA2JS	2			

Sr.	Model	Item Code	Description	Qty	Int.	Remarks	Cut Off
5	ALL MODELS	10057548AD	RADIATOR MTG BKT ASSY RH	1			
6	ALL MODELS	10057549AD	RADIATOR MTG BKT ASSY LH	1			
7	ALL MODELS	20003991AA	HEX BOLT M10X1.6X40	4		INTERCHANGE ABLE WITH 20005544AA (ROHS)	
7	ALL MODELS	20005544AA	HEX BOLT M10X1.5X40 SA4GS	4		(ROHS) INTERCHANGE ABLE WITH 20003991AA	
8	ALL MODELS	20001096AA	HEX. HEAD SCREW M8 X 1.25 X 20 8-8 SA2JS	2		INTERCHANGE ABLE WITH 20005565AA (ROHS)	
8	ALL MODELS	20005565AA	HEX HEAD SCREW M8X1.25X20 -8.8 SA4GS	2	YES	(ROHS) INTERCHANGE ABLE WITH 20001096AA	
10	ALL MODELS	10051043BA	PIVOT PIN ASSY	1			
11	ALL MODELS	04043200008	GREASE NIPPLE WITH CAP M8*1	1			
12	ALL MODELS	20003235AB	HEX SCREW M10X20	2			
13	ALL MODELS	04030400010	SPRING WASHER B-10	6			
14	ALL MODELS	10051046AA	THRUST WASHER	1			
15	ALL MODELS	10057721AA	SEALING PLATE BACK W/O PAINT	1			
15	ALL MODELS	10057722AA	SEALING PLATE BACK BLACK PAINT	1			
15	SONALIKA-26 FACELIFT	10057721AD	SEALING PLATE BACK W/O PAINT	1			
15	SONALIKA-26 FACELIFT	10057722AD	SEALING PLATE BACK BLACK PAINT	1			
17	ALL MODELS	20003515AA	HEX FLANGE SCREW M10*1.5*25-8.8 SA2JS	2		INTERCHANGE ABLE WITH 20005540AA (ROHS)	
17	ALL MODELS	20005540AA	HEX FLANGE SCREW M10*1.5*25 -8.8 SA4GS	2		(ROHS) INTERCHANGE ABLE WITH 20003515AA	
18	ALL MODELS	20000100AA	M/CD WASHER 10.5*21*2	2		INTERCHANGE ABLE WITH 20005625AA (ROHS)	
18	ALL MODELS	20005625AA	M/CD WASHER 10.5*21*2	2	YES	(ROHS) INTERCHANGE ABLE WITH 20000100AA	
19	ALL MODELS	10054142AB	RADIATOR SEALING FOAM	1		INTERCHANGE ABLE WITH 10054142AC (ROHS)	
19	ALL MODELS	10054142AC	RADIATOR SEALING FOAM	1	YES	(ROHS) INTERCHANGE ABLE WITH 10054142AB	
22	ALL MODELS	20003285AB	HEX SCREW M8X1.25X30 8-8 SA2JS	4			
23	ALL MODELS	04030400008	SPRING WASHER B-8	4		INTERCHANGE ABLE WITH	

Sr.	Model	Item Code	Description	Qty	Int.	Remarks	Cut Off
						20005517AA (ROHS)	
23	ALL MODELS	20005517AA	SPRING WASHER B-8 TYPE A IS: 3067-1972	4	YES	(ROHS) INTERCHANGE ABLE WITH 04030400008	
24	ALL MODELS	10051645AB	RADIATOR BEEDING - GT RH	2		INTERCHANGE ABLE WITH 10051645AC (ROHS)	
24	ALL MODELS	10051645AC	RADIATOR BEEDING - GT RH	2		(ROHS) INTERCHANGE ABLE WITH 10051645AB	
25	ALL MODELS	04030600008	PLAIN WASHER DIA 8.4 *DIA 17*1.6	2			
26	ALL MODELS	04030400008	SPRING WASHER B-8	2		INTERCHANGE ABLE WITH 20005517AA (ROHS)	
26	ALL MODELS	20005517AA	SPRING WASHER B-8 TYPE A IS: 3067-1972	2	YES	(ROHS) INTERCHANGE ABLE WITH 04030400008	
27	ALL MODELS	10054084AA	BATTERY CLAMP ASSY(FOR GT26)	1		INTERCHANGE ABLE WITH 10054084AC (ROHS)	
27	ALL MODELS	10054084AC	BATTERY CLAMP ASSY.	1		(ROHS) INTERCHANGE ABLE WITH 10054084AA	
28	ALL MODELS	10051241AA	RUBBER FLAP	2			
29	ALL MODELS	10055128AA	MAINTENANCE FREE BATTERY 12V, 65AH & 540	1			
32	ALL MODELS	10027167AA	BATTERY CLAMP	1			
32	SONALIKA-26 FACELIFT	10027167AC	BATTERY CLAMP	1			
33	ALL MODELS	20002059AA	HEX HEAD SCREW M8	2		INTERCHANGE ABLE WITH 20005559AA (ROHS)	
33	ALL MODELS	20005559AA	HEX HEAD SCREW M8X1.25X16 -8.8 SA4GS	2		(ROHS) INTERCHANGE ABLE WITH 20002059AA	
34	ALL MODELS	04030600008	PLAIN WASHER	2			

19112A-1/1

FRONT AXLE BKT. & RELATED

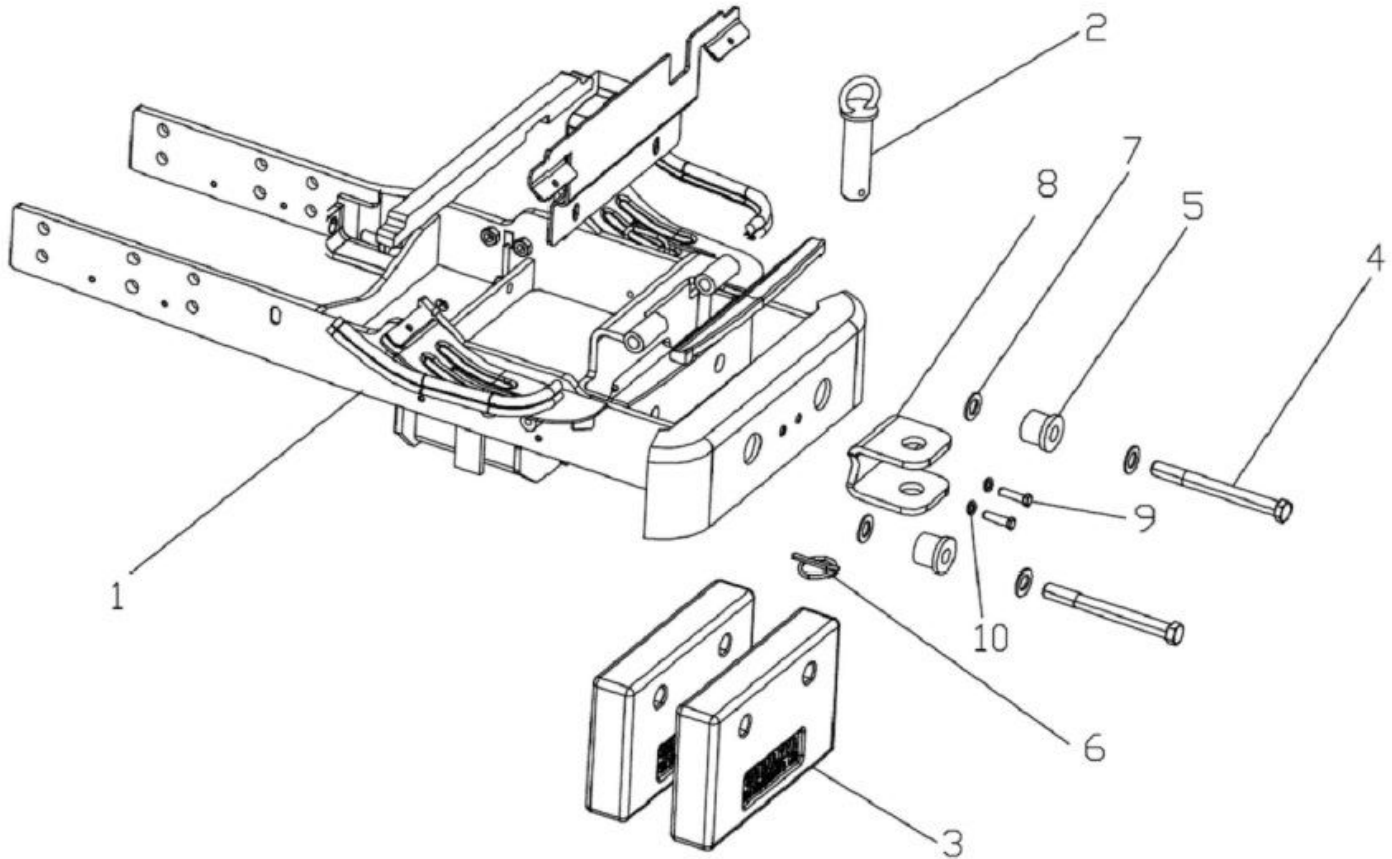


Sr.	Model	Item Code	Description	Qty	Int.	Remarks	Cut Off
1	ALL MODELS	10057720AB	FRT AXLE BKT ASSY	1			
2	ALL MODELS	20005557AA	HEX SCREW M12X1.25X25 SA4GS	14			
3	ALL MODELS	20004993AB	SPRING WASHER B-12TYPE-A IS: 3063-1972	14			
4	ALL MODELS	20005563AA	HEX SCREW M8X1.25X30 -8.8 SA4GS	2			
5	ALL MODELS	10057548AD	RADIATOR MTG BKT ASSY RH	1			
6	ALL MODELS	10057549AD	RADIATOR MTG BKT ASSY LH	1			
7	ALL MODELS	20005544AA	HEX BOLT M10X1.5X40 SA4GS	4			
8	ALL MODELS	20005565AA	HEX HEAD SCREW M8X1.25X20 -8.8 SA4GS	2			

Sr.	Model	Item Code	Description	Qty	Int.	Remarks	Cut Off
10	ALL MODELS	10051043BA	PIVOT PIN ASSY	1			
11	ALL MODELS	20003460AC	CONICAL HEAD GRESE NIPPLE B M8X1 IS:4009	1			
12	ALL MODELS	20003235AB	HEX SCREW M10X20	2			
13	ALL MODELS	20005518AA	SPRING WASHER B-10 TYPE A IS: 3067-1972	6			
14	ALL MODELS	10051046AA	THRUST WASHER	1			
15	ALL MODELS	10057721AA	SEALING PLATE BACK W/O PAINT	1			
15	ALL MODELS	10057722AA	SEALING PLATE BACK BLACK PAINT	1			
17	ALL MODELS	20005540AA	HEX FLANGE SCREW M10*1.5*25 -8.8 SA4GS	2			
18	ALL MODELS	20005625AA	M/CD WASHER 10.5*21*2	2			
19	ALL MODELS	10054142AC	RADIATOR SEALING FOAM	1			
22	ALL MODELS	20005563AA	HEX SCREW M8X1.25X30 -8.8 SA4GS	4			
23	ALL MODELS	20005517AA	SPRING WASHER B-8 TYPE A IS: 3067-1972	4			
24	ALL MODELS	10051645AC	RADIATOR BEEDING - GT RH	2			
25	ALL MODELS	20004935AB	PLAIN WASHER DIA 8.4 *DIA 17*1.6	2			
26	ALL MODELS	20005517AA	SPRING WASHER B-8 TYPE A IS: 3067-1972	2			
27	ALL MODELS	10054084AB	BATTERY CLAMP ASSY(FOR GT26)	1			
28	ALL MODELS	10055147AA	RUBBER FLAP	2			
32	ALL MODELS	10027167AA	BATTERY CLAMP	1			
33	ALL MODELS	20005559AA	HEX HEAD SCREW M8X1.25X16 -8.8 SA4GS	2			
34	ALL MODELS	20004935AB	PLAIN WASHER DIA 8.4 *DIA 17*1.6	2			

19120A-1/1

FRONT AXLE BKT & FRONT WEIGHT

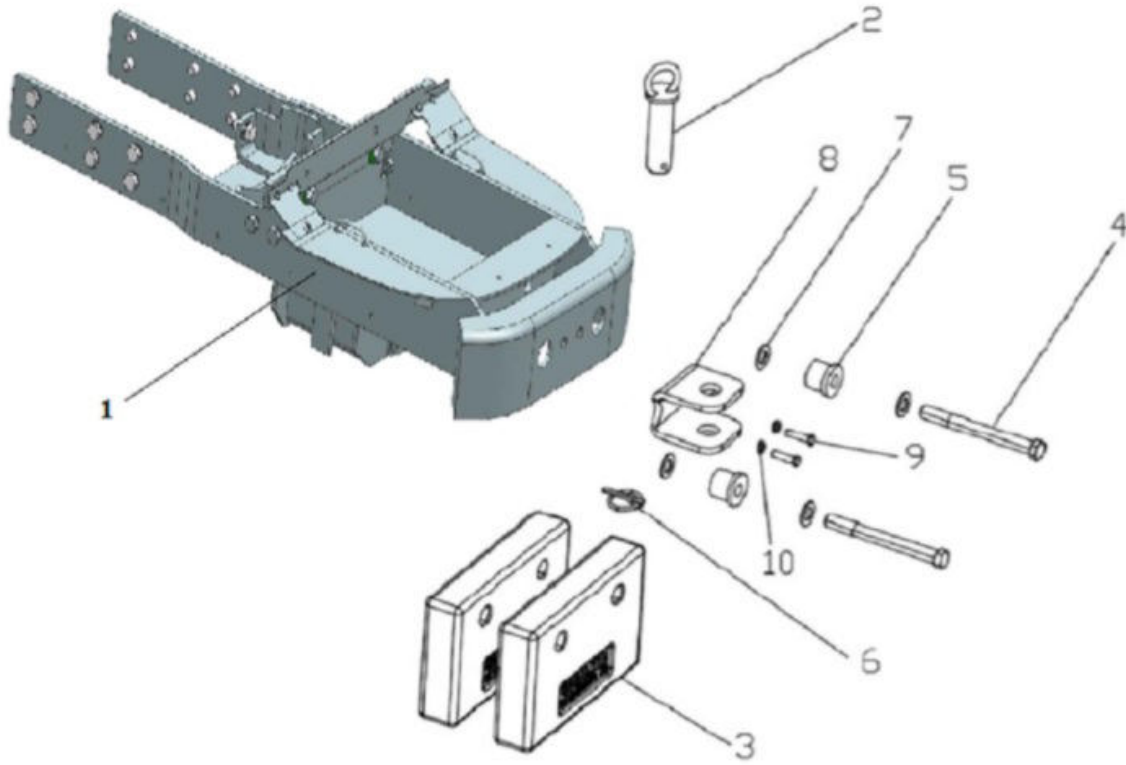


Sr.	Model	Item Code	Description	Qty	Int.	Remarks	Cut Off
1	SOLIS-26,SONALIKA-26	10053384AB	FRT AXLE BKT GT26 EEC	1			
1	SOLIS-26,SONALIKA-26	10053384AD	FRT AXLE BKT GT26 EEC	1			
1	SOLIS-26,SONALIKA-26, SOLIS-24	10053384AE	FRT AXLE BKT GT26 EEC	1	YES		MEMGMKSF554 589G26
2	SOLIS-26,SONALIKA-26	10053753AA	PIN (FOR SWINGING DRAW BAR)	1			
2	SOLIS-24	10055143AA	PIN (FOR SWINGING DRAW BAR)	1			
3	SOLIS-26,SONALIKA-26, SOLIS-24	10053152AA	DEAD WEIGHT - G.T.	2			
3	SOLIS-26,SONALIKA-26, SOLIS-24	10053152BA	DEAD WEIGHT -UN PAINTED	2	NO		GMKST637977G 26
3	SOLIS-26,SONALIKA-26, SOLIS-24	10054487AA	DEAD WEIGHT(BLACK)	2			

Sr.	Model	Item Code	Description	Qty	Int.	Remarks	Cut Off
3	SOLIS-26,SONALIKA-26, SOLIS-24	10054487BA	DEAD WEIGHT(BLACK)	2	NO		GMKST637977G 26
4	SOLIS-26,SONALIKA-26	20003134AA	HEX SCREW M16*2*155	2			
4	SOLIS-26,SONALIKA-26	20004753AA	HEX BOLT M16X2X175 10.9 SA2JS	2		INTERCHANGE ABLE WITH 20005547AA (ROHS)	
4	SOLIS-24	20005547AA	HEX BOLT M16X2X17510.9 SA2JS	2			
4	SOLIS-26,SONALIKA-26	20005547AA	HEX BOLT ,M16*2*175 10.9 SA4GS	2		(ROHS) INTERCHANGE ABLE WITH 20004753AA	
5	SOLIS-26,SONALIKA-26	10053739AA	BUSH	2		INTERCHANGE ABLE WITH 10053739AC (ROHS)	
5	SOLIS-24	10053739AB	BUSH	2			
5	SOLIS-26,SONALIKA-26	10053739AC	BUSH	2	YES	(ROHS) INTERCHANGE ABLE WITH 10053739AA	
6	SOLIS-26,SONALIKA-26	10004900AA	LINCH PIN	1		INTERCHANGE ABLE WITH 10004900AB (ROHS)	
6	SOLIS-24	10004900AB	LINCH PIN	1			
6	SOLIS-26,SONALIKA-26	10004900AB	LINCH PIN	1	YES	(ROHS) INTERCHANGE ABLE WITH 10004900AA	
7	SOLIS-26,SONALIKA-26	04030800017	PUNCHED WASHER DIA 17 * DIA 30 * 3	4		INTERCHANGE ABLE WITH 20005456AA (ROHS)	
7	SOLIS-24	20005005AA	PUNCHED WASHER A 18 IS:2016 STEEL	4			
7	SOLIS-26,SONALIKA-26	20005456AA	PUNCHED WASHER A(16) IS:2016 STEEL	4	YES	(ROHS) INTERCHANGE ABLE WITH 04030800017	
8	SOLIS-26,SONALIKA-26, SOLIS-24	10054141AB	FRONT TOE HOOK	1			
9	SOLIS-26,SONALIKA-26, SOLIS-24	20003246AB	HEX SCREW M14*30	2			
10	SOLIS-26,SONALIKA-26	04030400014	SPRING WASHER B-14	2		INTERCHANGE ABLE WITH 20005520AA (ROHS)	
10	SOLIS-24	20003673AC	SPRING WASHER B-14 TYPE-A IS: 3063-1972	2			
10	SOLIS-26,SONALIKA-26	20005520AA	SPRING WASHER B-14 TYPE A IS: 3067-1972	2		(ROHS) INTERCHANGE ABLE WITH 04030400014	

19121A-1/1

FRONT AXLE BRACKET & WEIGHT ASSY.



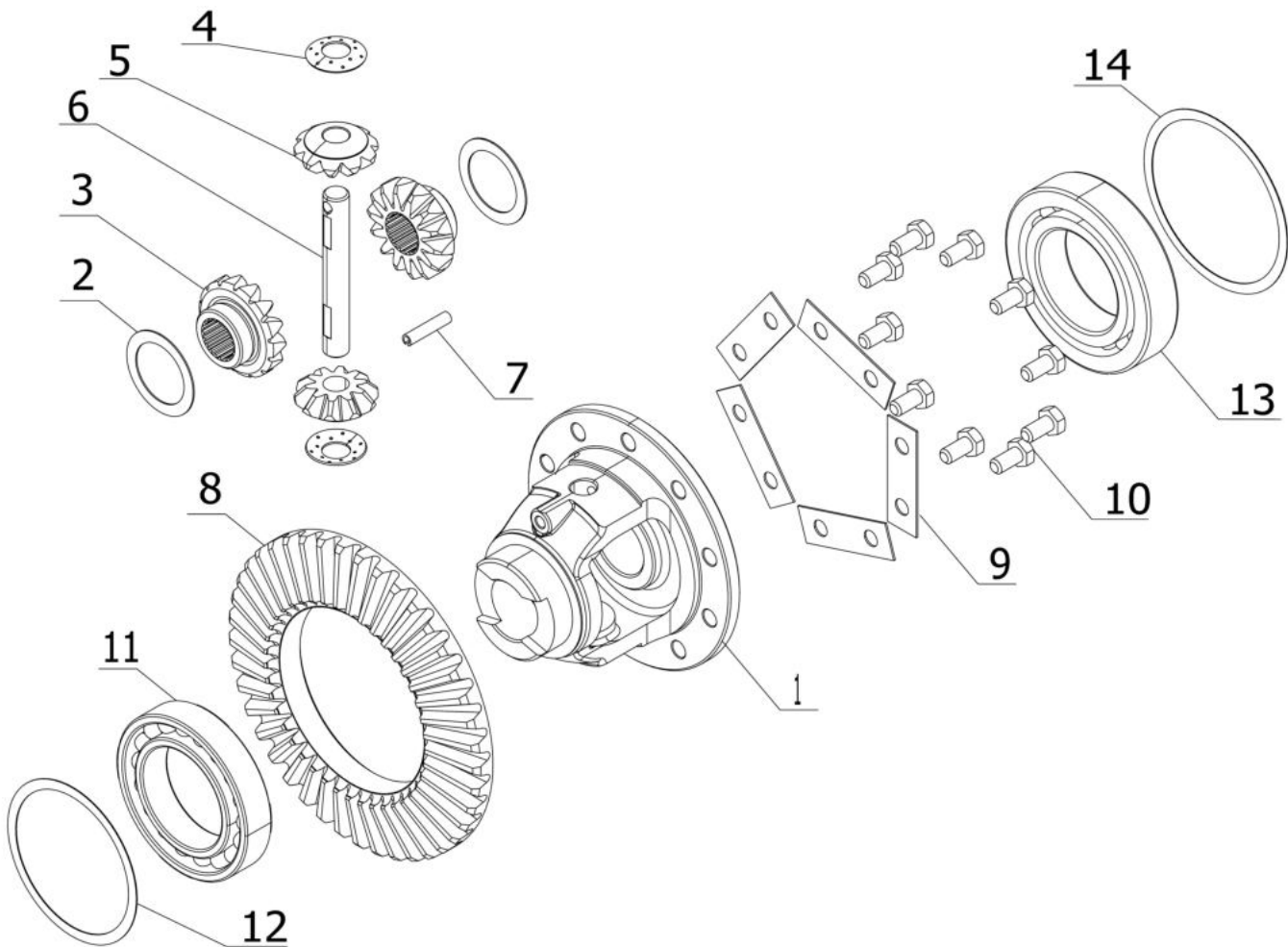
Sr.	Model	Item Code	Description	Qty	Int.	Remarks	Cut Off
1	ALL MODELS	10057720AB	FRT AXLE BKT ASSY	1			
1	SONALIKA-26 FACELIFT	10057720AE	FRT AXLE BKT ASSY	1			
2	SOLIS-26 FACELIFT	10053753AB	PIN (FOR SWINGING DRAW BAR)	1		INTERCHANGEABLE WITH 10055143AC (ROHS)	
2	SOLIS-24 EPA	10055143AC	PIN (FOR SWINGING DRAW BAR)	1			
2	SOLIS-26 FACELIFT	10055143AC	PIN (FOR SWINGING DRAW BAR)	1		(ROHS) INTERCHANGEABLE WITH 10053753AB	
2	SONALIKA-26 FACELIFT	10053753AA	PIN (FOR SWINGING DRAW BAR)	1			

Sr.	Model	Item Code	Description	Qty	Int.	Remarks	Cut Off
3	ALL MODELS	10053152BA	DEAD WEIGHT -UN PAINTED	2			
3	ALL MODELS	10054487BA	DEAD WEIGHT(BLACK)	2			
4	SOLIS-26 FACELIFT	20004753AA	HEX BOLT M16X2X175 10.9 SA2JS	2		INTERCHANGE ABLE WITH 20005547AA (ROHS)	
4	SOLIS-24 EPA	20005547AA	HEX BOLT ,M16*2*175 10.9 SA4GS	2			
4	SOLIS-26 FACELIFT	20005547AA	HEX BOLT ,M16*2*175 10.9 SA4GS	2		(ROHS) INTERCHANGE ABLE WITH 20004753AA	
4	SONALIKA-26 FACELIFT	20004753AA	HEX BOLT M16X2X175 10.9 SA2JS	2			
5	SOLIS-26 FACELIFT	10053739AA	BUSH	2		INTERCHANGE ABLE WITH 10053739AC (ROHS)	
5	SOLIS-24 EPA	10053739AC	BUSH	2			
5	SOLIS-26 FACELIFT	10053739AC	BUSH	2	YES	(ROHS) INTERCHANGE ABLE WITH 10053739AA	
5	SONALIKA-26 FACELIFT	10053739AA	BUSH	2			
6	SOLIS-26 FACELIFT	10004900AA	LINCH PIN	1		INTERCHANGE ABLE WITH 10004900AB (ROHS)	
6	SOLIS-24 EPA	10087916AA	LINCH PIN	1			
6	SOLIS-26 FACELIFT	10004900AB	LINCH PIN	1	YES	(ROHS) INTERCHANGE ABLE WITH 10004900AA	
6	SONALIKA-26 FACELIFT	10004900AA	LINCH PIN	1			
7	SOLIS-26 FACELIFT	04030800017	PUNCHED WASHER DIA 17 * DIA 30 * 3	4		INTERCHANGE ABLE WITH 20005456AA (ROHS)	
7	SOLIS-24 EPA	20005005AB	PUNCHED WASHER A 18 IS:2016 STEEL	4			
7	SOLIS-26 FACELIFT	20005456AA	PUNCHED WASHER A(16) IS:2016 STEEL	4	YES	(ROHS) INTERCHANGE ABLE WITH 04030800017	
7	SONALIKA-26 FACELIFT	04030800017	PUNCHED WASHER DIA 17 * DIA 30 * 3	4			
8	ALL MODELS	10054141AB	FRONT TOE HOOK	1			
9	ALL MODELS	20003246AB	HEX SCREW M14*30	2			
10	SOLIS-26 FACELIFT	04030400014	SPRING WASHER B-14	2		INTERCHANGE ABLE WITH 20005520AA (ROHS)	
10	SOLIS-24 EPA	20005520AA	SPRING WASHER B-14 TYPE A IS: 3067-1972	2			
10	SOLIS-26 FACELIFT	20005520AA	SPRING WASHER B-14 TYPE A IS: 3067-1972	2		(ROHS) INTERCHANGE ABLE WITH 04030400014	

Sr.	Model	Item Code	Description	Qty	Int.	Remarks	Cut Off
10	SONALIKA-26 FACELIFT	04030400014	SPRING WASHER B-14	2			

20110A-1/1

FRONT AXLE-CAGE ASSY

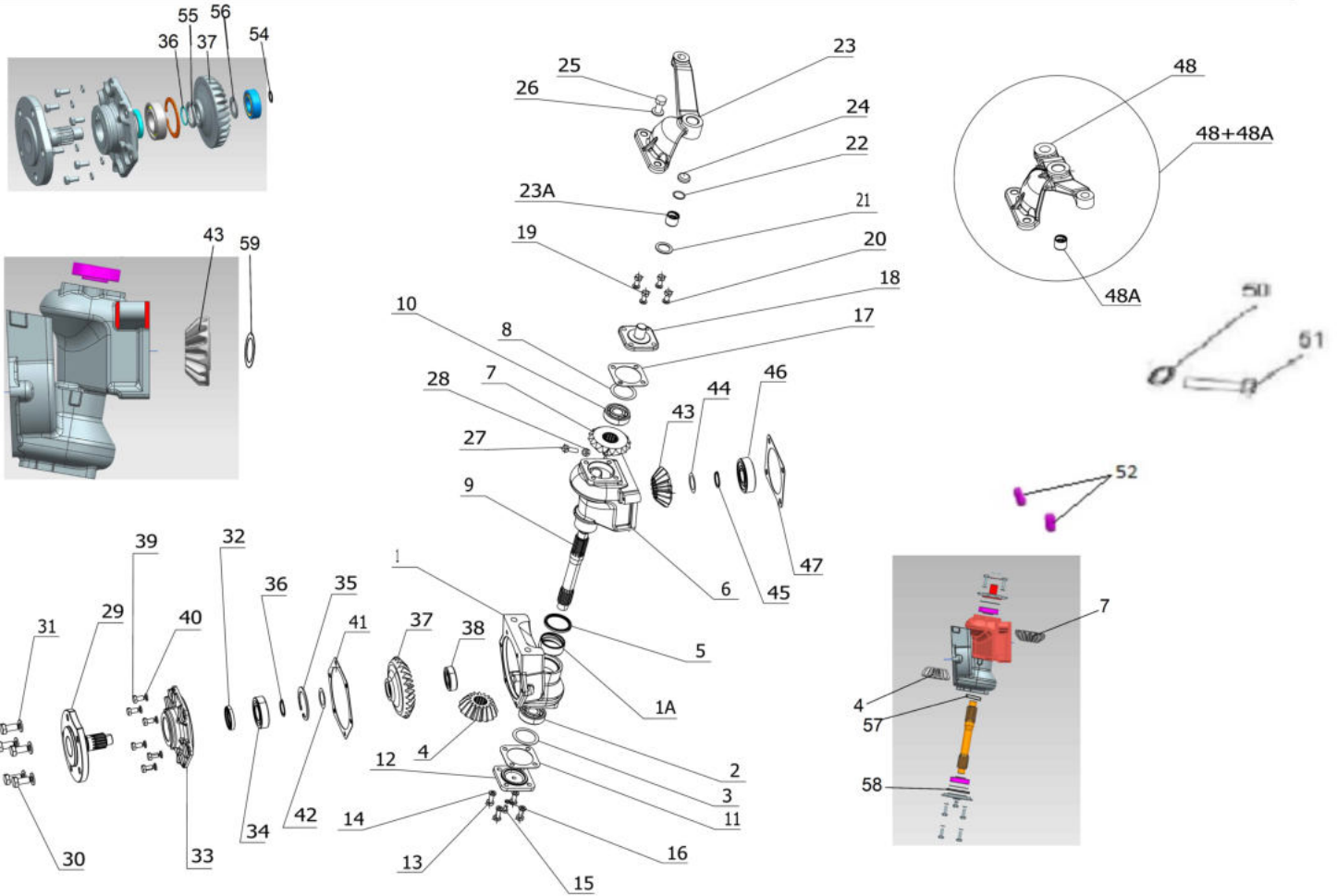


Sr.	Model	Item Code	Description	Qty	Int.	Remarks	Cut Off
1	SOLIS-26,SONALIKA-26, SOLIS-24	10052748AA	DIFFERENTIAL CAGE -FRONT AXLE	1			
2	SOLIS-26,SONALIKA-26, SOLIS-24	10030009AC	DIFFERENTIAL SIDE GEAR LINER	2			
3	SOLIS-26,SONALIKA-26, SOLIS-24	10030005AG	DIFFERENTIAL SIDE GEAR (14T)	2			
4	SOLIS-26,SONALIKA-26, SOLIS-24	10030008AD	DIFFERENTIAL PINION LINER	2			
5	SOLIS-26,SONALIKA-26, SOLIS-24	10030006AF	DIFFERENTIAL PINION GEAR (10T)	2			
6	SOLIS-26,SONALIKA-26, SOLIS-24	10050833AB	PINION SHAFT	1			
7	SOLIS-26,SONALIKA-26, SOLIS-24	20004150AA	SPRING COTTER SLEEVE(DIA 6X28)	1			
8	SOLIS-26,SONALIKA-26, SOLIS-24	10030240AD	GEAR RING	1		C.W&T.P SET CODE (10051363AE)	
9	SOLIS-26,SONALIKA-26, SOLIS-24	10050821AA	LOCKING WASHER (CROWN WHEEL)	5			

Sr.	Model	Item Code	Description	Qty	Int.	Remarks	Cut Off
10	SOLIS-24	20002059AB	HEX. HEAD SCREW M8 X 1.25 X 16 8-8 SA4JS	10			
10	SOLIS-26,SONALIKA-26	20002059AA	HEX HEAD SCREW M8X1.25X16 8-8 SA2JS	10		INTERCHANGE ABLE WITH 20005559AA (ROHS)	
10	SOLIS-24 EPA	20005559AA	HEX HEAD SCREW M8X1.25X16 -8.8 SA4GS	10			
10	SOLIS-26,SONALIKA-26	20005559AA	HEX HEAD SCREW M8X1.25X16 -8.8 SA4GS	10		(ROHS) INTERCHANGE ABLE WITH 20002059AA	
11	SOLIS-26,SONALIKA-26	20004124AA	BALL BEARING (6011)	1		INTERCHANGE ABLE WITH 20004124AB (ROHS)	
11	SOLIS-24	20004124AB	BALL BEARING (6011)	1			
11	SOLIS-26,SONALIKA-26	20004124AB	BALL BEARING (6011)	1	YES	(ROHS) INTERCHANGE ABLE WITH 20004124AA	
12	SOLIS-26,SONALIKA-26	10051075AA	SHIMS (CAGE FRONT AXLE)-0.20	1			
12	SOLIS-24	10051075AA	SHIMS (CAGE FRONT AXLE)-0.20	1			
12(i)	SOLIS-26,SONALIKA-26	10051283AA	SHIMS (CAGE FRONT AXLE)-0.30	1			
12(i)	SOLIS-24	10051283AA	SHIMS (CAGE FRONT AXLE)-0.30	1			
12(ii)	SOLIS-26,SONALIKA-26	10051077AA	SHIMS (CAGE FRONT AXLE)-0.50	1			
12(ii)	SOLIS-24	10051077AA	SHIMS (CAGE FRONT AXLE)-0.50	1			
13	SOLIS-26,SONALIKA-26	04000155100	BALL BEARING 6211	1		INTERCHANGE ABLE WITH 20005053AA (ROHS)	
13	SOLIS-24	20005053AA	BALL BEARING 6211	1			
13	SOLIS-26,SONALIKA-26	20005053AA	BALL BEARING 6211	1	YES	(ROHS) INTERCHANGE ABLE WITH 04000155100	
14	SOLIS-26,SONALIKA-26	10051069AA	SHIMS (CAGE FRONT AXLE)-0.20	1			
14	SOLIS-24	10051069AA	SHIMS (CAGE FRONT AXLE)-0.20	1			
14(i)	SOLIS-26,SONALIKA-26	10051282AA	SHIMS (CAGE FRONT AXLE)-0.30	1			
14(i)	SOLIS-24	10051282AA	SHIMS (CAGE FRONT AXLE)-0.30	1			
14(ii)	SOLIS-26,SONALIKA-26	10051071AA	SHIMS (CAGE FRONT AXLE)	1			
14(ii)	SOLIS-24	10051071AA	SHIMS (CAGE FRONT AXLE)	1			

20120A-1/2

FRONT AXLE- STUB AXLE & COVER ASSY



Sr.	Model	Item Code	Description	Qty	Int.	Remarks	Cut Off
1	SOLIS-26,SONALIKA-26, SOLIS-24	10051007AI	FRONT AXLE HSG	2	YES (AS A SET)		FMGSU494734G
1A	SOLIS-26,SONALIKA-26, SOLIS-24	10051256AD	BUSH (FRONT AXLE ASSY.)	2		INTERCHANGE ABLE WITH 300059782A (ROHS)	
1	SOLIS-26,SONALIKA-26	10051007AH	FRONT AXLE HSG	2			
1A	SOLIS-26,SONALIKA-26, SOLIS-24	300059782A	BUSH (FRONT AXLE ASSY)	2		(ROHS) INTERCHANGE ABLE WITH 10051256AD	
2	SOLIS-26,SONALIKA-26	20004333AA	TAPPER ROLLER BEARING 30304	2			
2	SOLIS-24	20004333AB	TAPPER ROLLER BEARING 30304	2			

Sr.	Model	Item Code	Description	Qty	Int.	Remarks	Cut Off
3	SOLIS-26,SONALIKA-26, SOLIS-24	10051312AA	SHIM(GEAR Z-16)-0.20	1			
3(i)	SOLIS-26,SONALIKA-26, SOLIS-24	10051313AA	SHIM(GEAR Z-16)-0.30	1			
3(ii)	SOLIS-26,SONALIKA-26, SOLIS-24	10051314AA	SHIM(GEAR Z-16)-0.50	1			
4	SOLIS-26,SONALIKA-26, SOLIS-24	10051092AB	BEVEL GEAR Z-16 (LOWER)	2			
4	SOLIS-26	300000300A	BEVEL GEAR LOWER Z-16	2	NO	Following parts (10051052AB, 10051053AB, 10051092AB, 10051054AC, 20004158AA, 20002021AA, 04030400012) are need to be change as a set with (300000301A, 300000302A, 300000300A, 300000297A, 10096382AA, 10096383AA, 10096384AA, 20003856AA, 300106650A, 300102852A, 300096822A, 300104496A, 20005520AA, 10054282AA, 10051281AA)	FOR NON EU MODELS- AMKSS836400G 26 FOR EU MODELS- MEMRMKSNSA KH04687
4	SONALIKA-26 FACELIFT	300000300B	BEVEL GEAR LOWER Z-16	2			
5	SOLIS-26,SONALIKA-26	20004126AB	OIL SEAL TYPE 3B(54X42.7X8)	2			
5	SOLIS-24	20004126AC	OIL SEAL TYPE 3B(54X42.7X8)	2			
6	SOLIS-26,SONALIKA-26, SOLIS-24	10051004AF	STUB AXLE HSG	2			
6	SOLIS-24 EPA	10051004CA	STUB AXLE HSG	2			
6	SOLIS-26	10051004CA	STUB AXLE HSG	2	NO	10051004AF, 10051004BA, 10051015AD, 10051015AE INTERCHANGE ABLE AS A SET WITH 10051004CA, 10051015BA, 10052662AA, 20004253AA	MEMEMKST661 152G26
6	SONALIKA-26 FACELIFT	10051004CD	STUB AXLE HSG	2			
7	SOLIS-26,SONALIKA-26, SOLIS-24	10051053AB	BEVEL GEAR Z-16 (UPPER)	2			
7	SOLIS-26	300000302A	BEVEL GEAR UPPER Z-16	2	NO	Following parts (10051052AB, 10051053AB, 10051092AB, 10051054AC, 20004158AA, 20002021AA,	FOR NON EU MODELS- AMKSS836400G 26 FOR EU MODELS- MEMRMKSNSA

Sr.	Model	Item Code	Description	Qty	Int.	Remarks	Cut Off
						04030400012) are need to be change as a set with (300000301A, 300000302A, 300000300A, 300000297A, 10096382AA, 10096383AA, 10096384AA, 20003856AA, 300106650A, 300102852A, 300096822A, 300104496A, 20005520AA, 10054282AA, 10051281AA)	KH04687
7	SONALIKA-26 FACELIFT	300000302B	BEVEL GEAR UPPER Z-16	2			
8(i)	SOLIS-26,SONALIKA-26, SOLIS-24	10051313AA	SHIM(GEAR Z-16)-0.30	1			
8	SOLIS-26,SONALIKA-26, SOLIS-24	10051312AA	SHIM(GEAR Z-16)-0.20	1			
8(ii)	SOLIS-26,SONALIKA-26	10051314AA	SHIM(GEAR Z-16)-0.50	1			
9	SOLIS-26,SONALIKA-26, SOLIS-24	10051027AA	STUB AXLE	2			
10	SOLIS-26,SONALIKA-26	20004333AA	TAPPER ROLLER BEARING 30304	2			
10	SOLIS-24	20004333AB	TAPPER ROLLER BEARING 30304	2			
1+1A	SOLIS-26,SONALIKA-26	10051257AI	ASSY FRONT AXLE HSG	2		INTERCHANGE ABLE WITH 10051257BE (ROHS)	
1+1A	SOLIS-26,SONALIKA-26, SOLIS-24	10051257AJ	ASSY FRONT AXLE HSG	2	YES (AS A SET)		FMGSU494734G
11	SOLIS-26,SONALIKA-26	10051203AA	GASKET FOR STEERING ARM GUIDE	2		INTERCHANGE ABLE WITH 10054282AA (ROHS)	
11	SOLIS-24	10054282AA	GASKET STEERING ARM GUIDE	2			
1+1A	SOLIS-26,SONALIKA-26	10051257BE	Assy Front axle Hsg	2		(ROHS) INTERCHANGE ABLE WITH 10051257AI	
11	SOLIS-26,SONALIKA-26	10054282AA	GASKET STEERING ARM GUIDE	2		(ROHS) INTERCHANGE ABLE WITH 10051203AA	
12	SOLIS-26,SONALIKA-26, SOLIS-24	10051018AA	BEARING COVER	2			
13	SOLIS-26,SONALIKA-26	20001096AA	HEX. HEAD SCREW M8 X 1.25 X 20 8-8 SA2JS	8		INTERCHANGE ABLE WITH 20005565AA (ROHS)	
13	SOLIS-24	20001096AB	HEX. HEAD SCREW M8 X 1.25 X 20 8-8 SA4JS	8			
13	SOLIS-24 EPA	20005565AA	HEX HEAD SCREW M8X1.25X20 -8.8 SA4GS	8			
13	SOLIS-26,SONALIKA-26	20005565AA	HEX HEAD SCREW M8X1.25X20 -8.8 SA4GS	8	YES	(ROHS) INTERCHANGE	

Sr.	Model	Item Code	Description	Qty	Int.	Remarks	Cut Off
						ABLE WITH 20001096AA	
14	SOLIS-26,SONALIKA-26	04030400008	SPRING WASHER B-8	8		INTERCHANGE ABLE WITH 20005517AA (ROHS)	
14	SOLIS-24	20003670AC	SPRING WASHER B-8 TYPE-A IS: 3063-1972	8			
14	SOLIS-24 EPA	20005517AA	SPRING WASHER B-8 TYPE-A IS: 3063-1972	8			
14	SOLIS-26,SONALIKA-26	20005517AA	SPRING WASHER B-8 TYPE A IS: 3067-1972	8	YES	(ROHS) INTERCHANGE ABLE WITH 04030400008	
15	SOLIS-26,SONALIKA-26, SOLIS-24	20004356AA	HEX SCREW M8X1.25X12 8.8 SA3NS	2			
16	SOLIS-26,SONALIKA-26, SOLIS-24	10051938AA	SEALING WASHER 8X12	2			
17	SOLIS-26,SONALIKA-26	10051203AA	GASKET FOR STEERING ARM GUIDE	2		INTERCHANGE ABLE WITH 10054282AA (ROHS)	
17	SOLIS-24	10054282AA	GASKET STEERING ARM GUIDE	2			
17	SOLIS-26,SONALIKA-26	10054282AA	GASKET STEERING ARM GUIDE	2		(ROHS) INTERCHANGE ABLE WITH 10051203AA	
18	SOLIS-26,SONALIKA-26	10051015AB	STEERING ARM GUIDE	2			
18	SOLIS-26,SONALIKA-26, SOLIS-24	10051015AD	STEERING ARM GUIDE	2			
18	SOLIS-24 EPA	10051015BA	STEERING ARM GUIDE	2			
18	SOLIS-26	10051015BA	STEERING ARM GUIDE	2	NO	10051004AF, 10051004BA, 10051015AD, 10051015AE INTERCHANGE ABLE AS A SET WITH 10051004CA, 10051015BA, 10052662AA, 20004253AA	MEMEMKST661 152G26
18	SONALIKA-26 FACELIFT	10051015BA	STEERING ARM GUIDE	2			
19	SOLIS-26,SONALIKA-26	20001096AA	HEX. HEAD SCREW M8 X 1.25 X 20 8-8 SA2JS	8		INTERCHANGE ABLE WITH 20005565AA (ROHS)	
19	SOLIS-24	20001096AB	HEX. HEAD SCREW M8 X 1.25 X 20 8-8 SA4JS	8			
19	SOLIS-24 EPA	20005565AA	HEX HEAD SCREW M8X1.25X20 -8.8 SA4GS	8			
19	SOLIS-26,SONALIKA-26	20005565AA	HEX HEAD SCREW M8X1.25X20 -8.8 SA4GS	8	YES	(ROHS) INTERCHANGE ABLE WITH 20001096AA	
20	SOLIS-26,SONALIKA-26	04030400008	SPRING WASHER B-8	8		INTERCHANGE ABLE WITH 20005517AA (ROHS)	
20	SOLIS-24	20003670AC	SPRING WASHER B-8 TYPE-A IS: 3063-1972	8			

Sr.	Model	Item Code	Description	Qty	Int.	Remarks	Cut Off
20	SOLIS-24 EPA	20005517AA	SPRING WASHER B-8 TYPE-A IS: 3063-1972	8			
20	SOLIS-26,SONALIKA-26	20005517AA	SPRING WASHER B-8 TYPE A IS: 3067-1972	8	YES	(ROHS) INTERCHANGE ABLE WITH 04030400008	
21	SOLIS-26,SONALIKA-26, SOLIS-24	10051026AB	WASHER (STEERING ARM GUIDE)	2			
22	SOLIS-24	20002960AB	O-RING (FOR DIFF LOCK)	2			
22	SOLIS-26,SONALIKA-26	20002960AA	O-RING (FOR DIFF LOCK)	2		INTERCHANGE ABLE WITH 20002960AC (ROHS)	
22	SOLIS-26,SONALIKA-26	20002960AC	O-RING (FOR DIFF LOCK)	2		(ROHS) INTERCHANGE ABLE WITH 20002960AA	
23	SOLIS-26,SONALIKA-26	10051006AB	STEERING ARM (SINGLE)	1		WITH 10051293AB	
23	SOLIS-24	10051006AE	STEERING ARM (SINGLE)	1			
23A	SOLIS-26,SONALIKA-26	10051290AA	BUSH (STEERING ARM)	1		WITH 10051293AB	
23A	SOLIS-26,SONALIKA-26, SOLIS-24	10051290AC	BUSH (STEERING ARM)	1		WITH 10051293AE	
24	SOLIS-26,SONALIKA-26, SOLIS-24	10051277AA	CAP STEERING ARM	2			
25	SOLIS-26,SONALIKA-26	20002021AA	HEX HEAD SCREW M12 X1.75X25 10.9 SA2JS	4			
25	SOLIS-26,SONALIKA-26	20002021AC	HEX. HEAD SCREW M12X1.75X25	4	YES	INTERCHANGE ABLE WITH 20005682AA (ROHS)	BMGSF536902G
25	SOLIS-24	20002021AB	HEX. HEAD SCREW M12 X 1.75-25 10.9 SA2JS	4			
25	SOLIS-24 EPA	20005682AA	Hex. head screw M12 x 1.75-25 10.9 SA4GS	4			
25	SOLIS-26	300104496A	BOLT SPECIAL FOR STEERING ARM	4	NO	Following parts (10051052AB, 10051053AB, 10051092AB, 10051054AC, 20004158AA, 20002021AA, 04030400012) are need to be change as a set with (300000301A, 300000302A, 300000300A, 300000297A, 10096382AA, 10096383AA, 10096384AA, 20003856AA, 300106650A, 300102852A, 300096822A, 300104496A, 20005520AA, 10054282AA, 10051281AA)	FOR NON EU MODELS- AMKSS836400G 26 FOR EU MODELS- MEMRMKNSA KH04687
25	SOLIS-26,SONALIKA-26	20005682AA	HEX SCREW M12X1.75X25 -10.9 SA4GS	4		(ROHS) INTERCHANGE	

Sr.	Model	Item Code	Description	Qty	Int.	Remarks	Cut Off
						ABLE WITH 20002021AC	
25	SONALIKA-26 FACELIFT	300104496A	BOLT SPECIAL FOR STEERING ARM	4			
26	SOLIS-26,SONALIKA-26	04030400012	SPRING WASHER B-12	4			
26	SOLIS-24	20004993AA	SPRING WASHER B-12TYPE-A IS: 3063-1972	4			
26	SOLIS-24 EPA	20004993AB	SPRING WASHER B-12TYPE-A IS: 3063-1972	4			
26	SOLIS-26	20005520AA	SPRING WASHER B-14 TYPE A IS: 3067-1972	4	NO	Following parts (10051052AB, 10051053AB, 10051092AB, 10051054AC, 20004158AA, 20002021AA, 04030400012) are need to be change as a set with (300000301A, 300000302A, 300000300A, 300000297A, 10096382AA, 10096383AA, 10096384AA, 20003856AA, 300106650A, 300102852A, 300096822A, 300104496A, 20005520AA, 10054282AA, 10051281AA)	FOR NON EU MODELS- AMKSS836400G 26 FOR EU MODELS- MEMRMKSNSA KH04687
26	SONALIKA-26 FACELIFT	20005520AA	SPRING WASHER B-14 TYPE A IS: 3067-1972	4			
27	SOLIS-26,SONALIKA-26	04040708045	HEX. HEAD BOLT M8 X 1.25-45 8-8 SA2JS	2		INTERCHANGE ABLE WITH 20005548AA (ROHS)	
27	SOLIS-24	20003328AB	HEX. HEAD BOLT M8 X 1.25-45 8-8 SA4JS	2			
27	SOLIS-24 EPA	20005548AA	Hex. head Bolt M8 x 1.25-45 8-8 SA4GS	2			
27	SOLIS-26,SONALIKA-26	20005548AA	HEX BOLT M8X1.25-45 -8.8 SA4GS	2	YES	(ROHS) INTERCHANGE ABLE WITH 04040708045	
28	SOLIS-26,SONALIKA-26	20003355AB	HEX NUT M8X1.25 -8 SA2JS	2			
28	SOLIS-24	20003355AD	HEX NUT M8X1.25 -8 SA4JS	2		INTERCHANGE ABLE WITH 200000391A (ROHS)	
28	SOLIS-24 EPA	20005504AA	HEX NUT M8X1.25 -8 SA4GS	2			
28	SOLIS-24	200000391A	HEX NUT M18X1.25 -8 SA4NS	2		(ROHS) INTERCHANGE ABLE WITH 20003355AD	
29	SOLIS-26,SONALIKA-26, SOLIS-24	10051009AC	FRONT AXLE	2			
29	GT-26, SOLIS-26 WITH FRONT AXLE ASSY	10051009AF	FRONT AXLE	2	YES		FOR NON EU MODELS-

Sr.	Model	Item Code	Description	Qty	Int.	Remarks	Cut Off
	10053136AA, WT-24 ELECTRONIC GOVERNER MODEL WITH FRONT AXLE ASSY 10055576AA						AMKSS831468G 26, FOR EU MODELS- MEMRMKSNSA KH04450
30	SOLIS-26,SONALIKA-26	20004154AB	HEX SCREW M12X1.25X25	10		INTERCHANGE ABLE WITH 20005557AA (ROHS)	
30	SOLIS-24 EPA	20005557AA	HEX SCREW M12X1.25X25 SA4GS	10			
30	SOLIS-26,SONALIKA-26	20005557AA	HEX SCREW M12X1.25X25 SA4GS	10		(ROHS) INTERCHANGE ABLE WITH 20004154AB	
31	SOLIS-26,SONALIKA-26	04030400012	SPRING WASHER B-12	10			
31	SOLIS-24 EPA	20004993AB	SPRING WASHER B-12TYPE-A IS: 3063-1972	10			
32	SOLIS-26,SONALIKA-26	20004128AB	OIL SEAL 4B 047035 (SUPER SEAL)	2		INTERCHANGE ABLE WITH 20004128AC (ROHS)	
32	SOLIS-26,SONALIKA-26	20004128AC	OIL SEAL 4B 047035 (SUPER SEAL)	2	YES		HMGSU502657 G
32	SOLIS-24	20004128AD	OIL SEAL 4B 047035 (SUPER SEAL)	2			
32	SOLIS-26,SONALIKA-26	20004128AC	Oil Seal 4B 047035 (super seal)	2		(ROHS) INTERCHANGE ABLE WITH 20004128AB	
33	SOLIS-26,SONALIKA-26	10051005AE	FRONT AXLE COVER	2			
33	SOLIS-26,SONALIKA-26, SOLIS-24	10051005AF	FRONT AXLE COVER	2	YES		HMGSU502657 G
34	SOLIS-26,SONALIKA-26	20003468AA	BEARING 6206 NTN	2			
34	SOLIS-24	20003468AB	BEARING 6206 NTN	2			
35	SOLIS-26,SONALIKA-26, SOLIS-24	04020100062	INTERNAL CIRCLIP B-62	2			
36	SOLIS-26,SONALIKA-26, SOLIS-24	20004158AA	EXTERNAL CIRCLIP A-29	2			
36	SOLIS-26	20003856AA	CIRCLIP A-30 HEAVY DUTY (FOR LAY SHAFT)	2	NO	Following parts (10051052AB, 10051053AB, 10051092AB, 10051054AC, 20004158AA, 20002021AA, 04030400012) are need to be change as a set with (300000301A, 300000302A, 300000300A, 300000297A, 10096382AA, 10096383AA, 10096384AA, 20003856AA, 300106650A, 300102852A, 300096822A,	FOR NON EU MODELS- AMKSS836400G 26 FOR EU MODELS- MEMRMKSNSA KH04687

Sr.	Model	Item Code	Description	Qty	Int.	Remarks	Cut Off
						300104496A, 20005520AA, 10054282AA, 10051281AA)	
36	SONALIKA-26 FACELIFT	20003856AA	CIRCLIP A-30 HEAVY DUTY (FOR LAY SHAFT)	2			
37	SOLIS-26,SONALIKA-26, SOLIS-24	10051054AC	BEVEL GEAR Z-27	2			
37	SOLIS-26	300000297A	BEVEL GEAR Z-27	2	NO	Following parts (10051052AB, 10051053AB, 10051092AB, 10051054AC, 20004158AA, 20002021AA, 04030400012) are need to be change as a set with (300000301A, 300000302A, 300000300A, 300000297A, 10096382AA, 10096383AA, 10096384AA, 20003856AA, 300106650A, 300102852A, 300096822A, 300104496A, 20005520AA, 10054282AA, 10051281AA)	FOR NON EU MODELS-AMKSS836400G 26 FOR EU MODELS-MEMRMKSNSA KH04687
37	SONALIKA-26 FACELIFT	300000297B	BEVEL GEAR Z-27	2			
38	SOLIS-26,SONALIKA-26	20002910AA	BALL BEARING 6204	2			
38	SOLIS-24	20002910AB	BALL BEARING 6204	2			
39	SOLIS-26,SONALIKA-26	20002059AA	HEX HEAD SCREW M8X1.25X16 8-8 SA2JS	12		INTERCHANGEABLE WITH 20005559AA (ROHS)	
39	SOLIS-24	20002059AA	HEX HEAD SCREW M8X1.25X16 8-8 SA2JS	12		INTERCHANGEABLE WITH 20005559AA (ROHS)	
39	SOLIS-24 EPA	20005559AA	HEX HEAD SCREW M8X1.25X16 -8.8 SA4GS	12			
39	SOLIS-26,SONALIKA-26	20005559AA	HEX HEAD SCREW M8X1.25X16 -8.8 SA4GS	12		(ROHS) INTERCHANGEABLE WITH 20002059AA	
39	SOLIS-24	20005559AA	HEX HEAD SCREW M8X1.25X16 -8.8 SA4GS	12		(ROHS) INTERCHANGEABLE WITH 20002059AA	
40	SOLIS-26,SONALIKA-26	04030400008	SPRING WASHER B-8	12		INTERCHANGEABLE WITH 20005517AA (ROHS)	
40	SOLIS-24	20003670AC	SPRING WASHER B-8 TYPE-A IS: 3063-1972	12			
40	SOLIS-24 EPA	20005517AA	SPRING WASHER B-8 TYPE-A IS: 3063-1972	12			

Sr.	Model	Item Code	Description	Qty	Int.	Remarks	Cut Off
40	SOLIS-26,SONALIKA-26	20005517AA	SPRING WASHER B-8 TYPE A IS: 3067-1972	12	YES	(ROHS) INTERCHANGEABLE WITH 04030400008	
41	SOLIS-26,SONALIKA-26	10051243AB	GASKET FOR FRONT AXLE COVER	2		INTERCHANGEABLE WITH 10054286AA (ROHS)	
41	SOLIS-24	10054286AA	GASKET FRONT AXLE COVER	2			
41	SOLIS-26,SONALIKA-26	10054286AA	GASKET FRONT AXLE COVER	2		(ROHS) INTERCHANGEABLE WITH 10051243AB	
42	SOLIS-26,SONALIKA-26, SOLIS-24	10050793AA	SHIMS SMALL (T.P. SHAFT)-0.20	1			
42(i)	SOLIS-26,SONALIKA-26, SOLIS-24	10051281AA	SHIMS SMALL (T.P. SHAFT)-0.30	1			
42(ii)	SOLIS-26,SONALIKA-26, SOLIS-24	10051150AA	SHIMS SMALL (T.P. SHAFT)-0.50	1			
43	SOLIS-26,SONALIKA-26, SOLIS-24	10051052AB	BEVEL GEAR Z-15	2			
43	SOLIS-26	300000301A	BEVEL GEAR Z-15	2	NO	Following parts (10051052AB, 10051053AB, 10051092AB, 10051054AC, 20004158AA, 20002021AA, 04030400012) are need to be change as a set with (300000301A, 300000302A, 300000300A, 300000297A, 10096382AA, 10096383AA, 10096384AA, 20003856AA, 300106650A, 300102852A, 300096822A, 300104496A, 20005520AA, 10054282AA, 10051281AA)	FOR NON EU MODELS-AMKSS836400G 26 FOR EU MODELS-MEMRMKSNSA KH04687
43	SONALIKA-26 FACELIFT	300000301A	BEVEL GEAR Z-15	2			
44	SOLIS-26,SONALIKA-26, SOLIS-24	10051309AA	SHIM(GEAR Z-15)-0.20	1			
44(i)	SOLIS-26,SONALIKA-26, SOLIS-24	10051310AA	SHIM(GEAR Z-15)-0.30	1			
44(ii)	SOLIS-26,SONALIKA-26, SOLIS-24	10051311AA	SHIM(GEAR Z-15)-0.50	1			
45	SOLIS-26,SONALIKA-26, SOLIS-24	20004276AA	EXTERNAL CIRCLIP A-28 IS:3075	2			
46	SOLIS-26,SONALIKA-26	20004125AA	BALL BEARING 63/28	2		INTERCHANGEABLE WITH 20004125AB (ROHS)	
46	SOLIS-24	20004125AB	BALL BEARING 63/28	2			
46	SOLIS-26,SONALIKA-26	20004125AB	BALL BEARING 63/28	2	YES	(ROHS) INTERCHANGE	

Sr.	Model	Item Code	Description	Qty	Int.	Remarks	Cut Off
						ABLE WITH 20004125AA	
47	SOLIS-26,SONALIKA-26	10051297AB	GASKET (STUB AXLE HSG)	2		INTERCHANGE ABLE WITH 10054285AA (ROHS)	
47	SOLIS-24	10054285AA	GASKET (STUB AXLE HSG)	2			
47	SOLIS-26,SONALIKA-26	10054285AA	GASKET (STUB AXLE HSG)	2		(ROHS) INTERCHANGE ABLE WITH 10051297AB	
48	SOLIS-26,SONALIKA-26	10053079AB	STEERING ARM (DOUBLE)	1		WITH 10053135AB	
48	SOLIS-26,SONALIKA-26, SOLIS-24	10053079AC	STEERING ARM (DOUBLE)	1		WITH 10053135AC	
48A	SOLIS-26,SONALIKA-26, SOLIS-24	10051290AC	BUSH (STEERING ARM)	1		WITH 10053135AB AND WITH 10053135AC	
49	SOLIS-26,SONALIKA-26	042300206AA	GEAR OIL E.P.80 GL - 4	2		IN LITRES, NOT SHOWN, WITH 10051257AI	
49	SOLIS-26,SONALIKA-26, SOLIS-24	042300206AA	GEAR OIL E.P.80 GL - 4	2.7		IN LITRES, NOT SHOWN, WITH 10051257AJ	
50	SOLIS-26,SONALIKA-26, SOLIS-24	10051938AA	SEALING WASHER 8X12	2		IN LITRES, NOT SHOWN, WITH 10051257AJ	FMGSU494734G
51	SOLIS-26,SONALIKA-26	20002059AA	HEX HEAD SCREW M8X1.25X16 8-8 SA2JS	2		WITH 10051257AJ FROM	FMGSU494734G
51	SOLIS-24	20002059AB	HEX. HEAD SCREW M8 X 1.25 X 16 8-8 SA4JS	2			
51	SOLIS-24 EPA	20005559AA	HEX HEAD SCREW M8X1.25X16 -8.8 SA4GS	2			
52	SOLIS-26	10052662AA	DOWEL (8X15)	4		10051004AF, 10051004BA, 10051015AD, 10051015AE INTERCHANGE ABLE AS A SET WITH 10051004CA, 10051015BA, 10052662AA, 20004253AA	MEMEMKST661 152G26
52	SONALIKA-26 FACELIFT	10052662AA	DOWEL (8X15)	4			
53	SOLIS-26	20004253AA	LOCTITE-518/MY-T-LOCK257	6ML		10051004AF, 10051004BA, 10051015AD, 10051015AE INTERCHANGE ABLE AS A SET WITH 10051004CA, 10051015BA, 10052662AA, 20004253AA	MEMEMKST661 152G26
53	SONALIKA-26 FACELIFT	20004253AA	LOCTITE-518/MY-T-LOCK257	6ML			

Sr.	Model	Item Code	Description	Qty	Int.	Remarks	Cut Off
54	SOLIS-26	10096382AA	SHIM BP SHAFT 0.1	2		NEW PART ADDED, Following parts (10051052AB, 10051053AB, 10051092AB, 10051054AC, 20004158AA, 20002021AA, 04030400012) are need to be change as a set with (300000301A, 300000302A, 300000300A, 300000297A, 10096382AA, 10096383AA, 10096384AA, 20003856AA, 300106650A, 300102852A, 300096822A, 300104496A, 20005520AA, 10054282AA, 10051281AA)	FOR NON EU MODELS-AMKSS836400G 26 FOR EU MODELS-MEMRMKSNSA KH04687
54	SOLIS-26	10096383AA	SHIM BP SHAFT 0.2	2		NEW PART ADDED, Following parts (10051052AB, 10051053AB, 10051092AB, 10051054AC, 20004158AA, 20002021AA, 04030400012) are need to be change as a set with (300000301A, 300000302A, 300000300A, 300000297A, 10096382AA, 10096383AA, 10096384AA, 20003856AA, 300106650A, 300102852A, 300096822A, 300104496A, 20005520AA, 10054282AA, 10051281AA)	FOR NON EU MODELS-AMKSS836400G 26 FOR EU MODELS-MEMRMKSNSA KH04687
54	SOLIS-26	10096384AA	SHIM BP SHAFT 0.5	2		NEW PART ADDED, Following parts (10051052AB, 10051053AB, 10051092AB, 10051054AC, 20004158AA, 20002021AA, 04030400012) are need to be	FOR NON EU MODELS-AMKSS836400G 26 FOR EU MODELS-MEMRMKSNSA KH04687

Sr.	Model	Item Code	Description	Qty	Int.	Remarks	Cut Off
						change as a set with (300000301A, 300000302A, 300000300A, 300000297A, 10096382AA, 10096383AA, 10096384AA, 20003856AA, 300106650A, 300102852A, 300096822A, 300104496A, 20005520AA, 10054282AA, 10051281AA)	
54	SONALIKA-26 FACELIFT	10096382AA	SHIM BP SHAFT 0.1	2			
54	SONALIKA-26 FACELIFT	10096383AA	SHIM BP SHAFT 0.2	2			
54	SONALIKA-26 FACELIFT	10096384AA	SHIM BP SHAFT 0.5	2			
55	SOLIS-26	300106650A	SPACER	2		NEW PART ADDED, Following parts (10051052AB, 10051053AB, 10051092AB, 10051054AC, 20004158AA, 20002021AA, 04030400012) are need to be change as a set with (300000301A, 300000302A, 300000300A, 300000297A, 10096382AA, 10096383AA, 10096384AA, 20003856AA, 300106650A, 300102852A, 300096822A, 300104496A, 20005520AA, 10054282AA, 10051281AA)	FOR NON EU MODELS-AMKSS836400G 26 FOR EU MODELS-MEMRMKSNSA KH04687
55	SOLIS-26	300102863A	SPACER FOR BEVEL GEAR Z-27	2	YES		FOR NON EU MODELS-MMKSS827442G 26 FOR EU MODELS-MEMRMKSNSM KH04125
55	SONALIKA-26 FACELIFT	300102863A	SPACER FOR BEVEL GEAR Z-27	2			
56	SOLIS-26	300102852A	SPACER PILOT BEARING	2		NEW PART ADDED, Following parts (10051052AB, 10051053AB,	FOR NON EU MODELS-AMKSS836400G 26

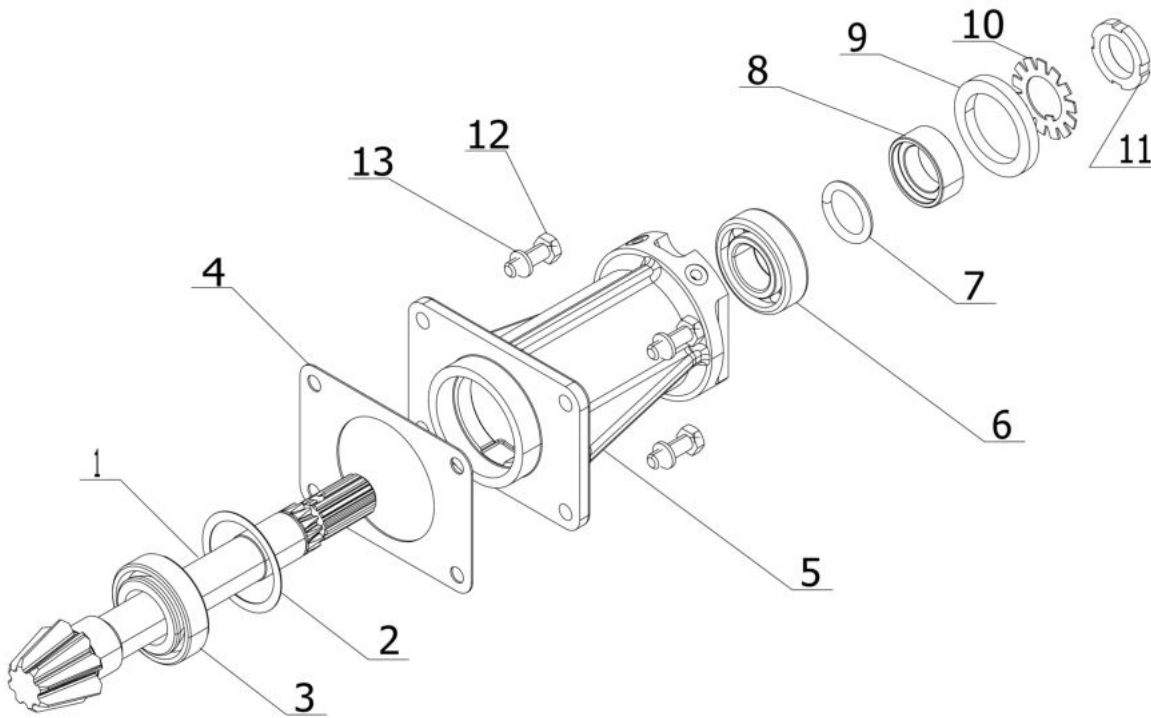
Sr.	Model	Item Code	Description	Qty	Int.	Remarks	Cut Off
						10051092AB, 10051054AC, 20004158AA, 20002021AA, 04030400012) are need to be change as a set with (300000301A, 300000302A, 300000300A, 300000297A, 10096382AA, 10096383AA, 10096384AA, 20003856AA, 300106650A, 300102852A, 300096822A, 300104496A, 20005520AA, 10054282AA, 10051281AA)	FOR EU MODELS- MEMRMKSNSA KH04687
56	SONALIKA-26 FACELIFT	300102852A	SPACER PILOT BEARING	2			
57	SOLIS-26	300096822A	SPACER	2		NEW PART ADDED, Following parts (10051052AB, 10051053AB, 10051092AB, 10051054AC, 20004158AA, 20002021AA, 04030400012) are need to be change as a set with (300000301A, 300000302A, 300000300A, 300000297A, 10096382AA, 10096383AA, 10096384AA, 20003856AA, 300106650A, 300102852A, 300096822A, 300104496A, 20005520AA, 10054282AA, 10051281AA)	FOR NON EU MODELS- AMKSS836400G 26 FOR EU MODELS- MEMRMKSNSA KH04687
57	SONALIKA-26 FACELIFT	300096822A	SPACER	2			
58	SOLIS-26	10054282AA	GASKET STEERING ARM GUIDE	2		NEW PART ADDED, Following parts (10051052AB, 10051053AB, 10051092AB, 10051054AC, 20004158AA, 20002021AA, 04030400012) are need to be change as a set	FOR NON EU MODELS- AMKSS836400G 26 FOR EU MODELS- MEMRMKSNSA KH04687

Sr.	Model	Item Code	Description	Qty	Int.	Remarks	Cut Off
						with (300000301A, 300000302A, 300000300A, 300000297A, 10096382AA, 10096383AA, 10096384AA, 20003856AA, 300106650A, 300102852A, 300096822A, 300104496A, 20005520AA, 10054282AA, 10051281AA)	
58	SONALIKA-26 FACELIFT	10054282AA	GASKET STEERING ARM GUIDE	2			
59	SOLIS-26	10051281AA	SHIMS SMALL (T.P. SHAFT)-0.30	2		NEW PART ADDED, Following parts (10051052AB, 10051053AB, 10051092AB, 10051054AC, 20004158AA, 20002021AA, 04030400012) are need to be change as a set with (300000301A, 300000302A, 300000300A, 300000297A, 10096382AA, 10096383AA, 10096384AA, 20003856AA, 300106650A, 300102852A, 300096822A, 300104496A, 20005520AA, 10054282AA, 10051281AA)	FOR NON EU MODELS- AMKSS836400G 26 FOR EU MODELS- MEMRMKSNSA KH04687
59	SONALIKA-26 FACELIFT	10051281AA	SHIMS SMALL (T.P. SHAFT)-0.30	2			
23+23	SOLIS-26,SONALIKA-26	10051293AB	ASSY STEERING ARM (SINGLE)	1		INTERCHANGE ABLE WITH 10051293AF (ROHS)	
23+23	SOLIS-26,SONALIKA-26	10051293AB	ASSY STEERING ARM (SINGLE)	1		INTERCHANGE ABLE WITH 10051293AF (ROHS)	
23+23	SOLIS-26,SONALIKA-26, SOLIS-24	10051293AE	ASSY STEERING ARM (SINGLE)	1			
23+23	SOLIS-26,SONALIKA-26	10051293AF	ASSY STEERING ARM (SINGLE)	1		(ROHS) INTERCHANGE ABLE WITH 10051293AB	
23+23	SOLIS-26,SONALIKA-26	10051293AF	ASSY STEERING ARM (SINGLE)	1		(ROHS) INTERCHANGE ABLE WITH 10051293AB	

Sr.	Model	Item Code	Description	Qty	Int.	Remarks	Cut Off
48+48	SOLIS-26,SONALIKA-26	10053135AB	ASSY STEERING ARM (DOUBLE)	1			
48+48	SOLIS-26,SONALIKA-26, SOLIS-24	10053135AC	ASSY STEERING ARM (DOUBLE)	1		INTERCHANGE ABLE WITH 10053135AD (ROHS)	
48+48	SOLIS-26,SONALIKA-26, SOLIS-24	10053135AD	ASSY STEERING ARM (DOUBLE)	1		(ROHS) INTERCHANGE ABLE WITH 10053135AC	

20130A-1/1

FRONT AXLE - TAIL PINION ASSY



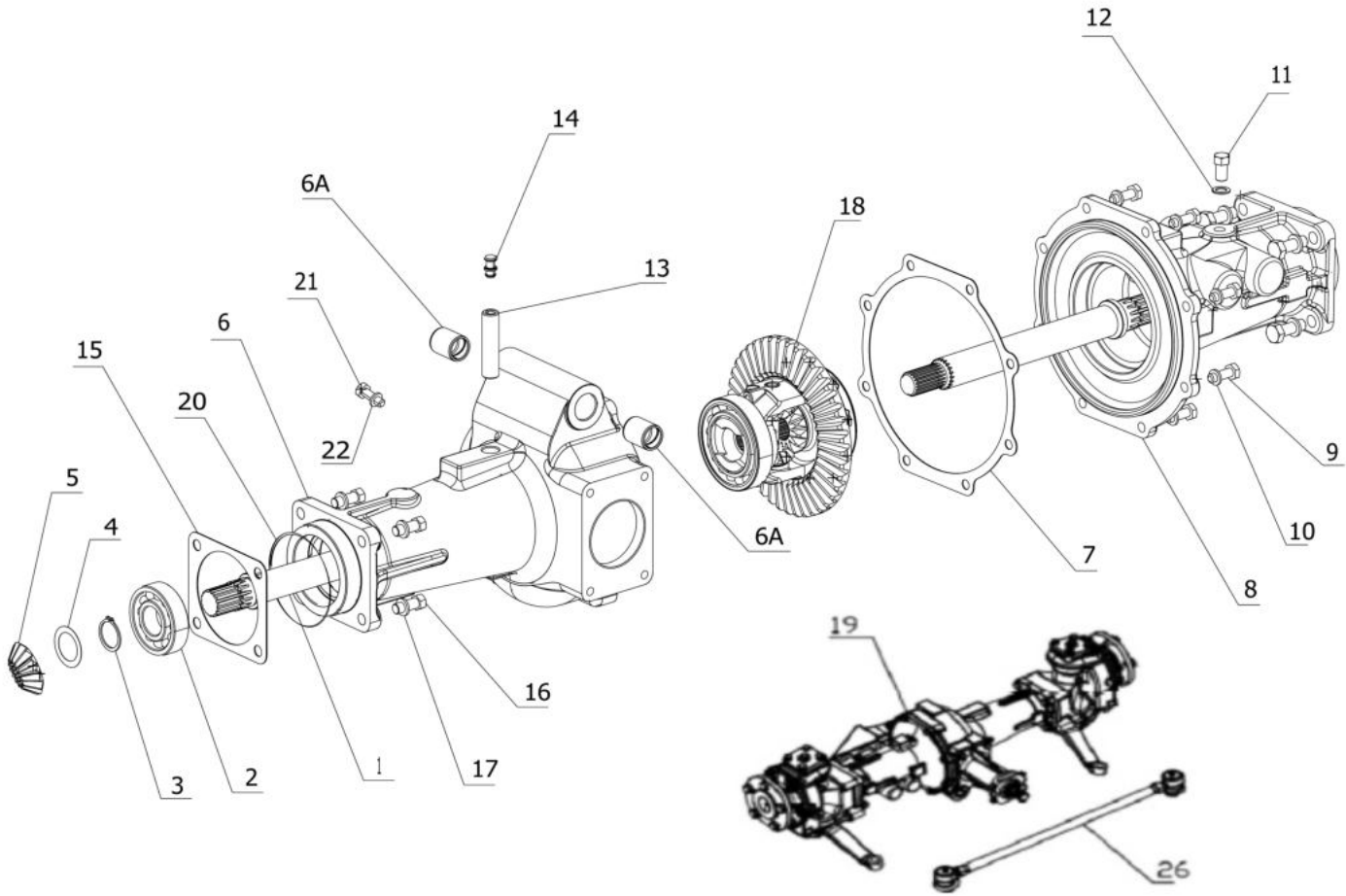
Sr.	Model	Item Code	Description	Qty	Int.	Remarks	Cut Off
1	SOLIS-26,SONALIKA-26, SOLIS-24	10051022AD	TAIL PINION SHAFT (FRONT AXLE)	1		C.W & T.P SET CODE (10051363AE)	
2	SOLIS-26,SONALIKA-26	10050799AA	SHIMS BIG (T.P. SHAFT)-0.20	1			
2	SOLIS-24	10050799AA	SHIMS BIG (T.P. SHAFT)-0.20	1			
2(i)	SOLIS-26,SONALIKA-26	10051280AA	SHIMS BIG (T.P. SHAFT)-.30	1			
2(i)	SOLIS-24	10051280AA	SHIMS BIG (T.P. SHAFT)-.30	1			
2(ii)	SOLIS-26,SONALIKA-26	10051155AA	SHIMS BIG (T.P. SHAFT)-0.50	1			
2(ii)	SOLIS-24	10051155AA	SHIMS BIG (T.P. SHAFT)-0.50	1			
3	SOLIS-26,SONALIKA-26	20004121AA	TR BEARING 32006	1		INTERCHANGE ABLE WITH	

Sr.	Model	Item Code	Description	Qty	Int.	Remarks	Cut Off
						20004121AB (ROHS)	
3	SOLIS-24	20004121AB	TR BEARING 32006	1			
3	SOLIS-26,SONALIKA-26	20004121AB	TR BEARING 32006	1	YES	(ROHS) INTERCHANGE ABLE WITH 20004121AA	
4	SOLIS-26,SONALIKA-26	10051065AA	GASKET (T.P. CARRIER)	1		INTERCHANGE ABLE WITH 10054283AA (ROHS)	
4	SOLIS-24	10054283AA	GASKET (TP CARRIER)	1			
4	SOLIS-26,SONALIKA-26	10054283AA	GASKET (TP CARRIER)	1		(ROHS) INTERCHANGE ABLE WITH 10051065AA	
5	SOLIS-26,SONALIKA-26, SOLIS-24	10051001AB	T.P.CARRIER	1			
6	SOLIS-26,SONALIKA-26	20004119AA	BALL BEARING (6205)	1		INTERCHANGE ABLE WITH 20004119AB (ROHS)	
6	SOLIS-24	20004119AB	BALL BEARING (6205)	1			
6	SOLIS-26,SONALIKA-26	20004119AB	BALL BEARING (6205)	1	YES	(ROHS) INTERCHANGE ABLE WITH 20004119AA	
7	SOLIS-26,SONALIKA-26	20004140AA	O-RING Ø24.3 X Ø4.6	1			
7	SOLIS-24	20004140AB	O-RING Ø24.3 X Ø4.6	1			
7	SOLIS-26,SONALIKA-26	10075013AB	O-RING DIA 24.75X2.25	1	NO	INTERCHANGE ABILITY AS A SET WITH 10051021BA, 10012629AB AND 10055222AA	KMGST688134G
7	SOLIS-24 EPA	10075013AB	O-RING Ø24.75xØ2.25	1			
8	SOLIS-26,SONALIKA-26, SOLIS-24	10051021AA	SLEEVE (T.P. SHAFT)	1			
8	SOLIS-26,SONALIKA-26, SOLIS-24	10051021BA	SLEEVE (T.P. SHAFT)	1	NO	INTERCHANGE ABILITY AS A SET WITH 10075013AB, 10012629AB AND 10055222AA	KMGST688134G
8	SOLIS-24 EPA	10051021BB	SLEEVE (T.P. SHAFT)	1			
8	SONALIKA-26 FACELIFT	10051021BB	SLEEVE (T.P. SHAFT)	1			
9	SOLIS-26,SONALIKA-26	20004127AB	OIL SEAL 4B 053037 (SUPER SEAL)	1			
9	SOLIS-24	20004127AC	OIL SEAL 4D 053037 (SUPER SEAL)	1			
10	SOLIS-26,SONALIKA-26, SOLIS-24	10050774AC	LOCKING WASHER	1			
11	SOLIS-26,SONALIKA-26, SOLIS-24	10050773AB	WITHDRAWL NUT	1			
12	SOLIS-26,SONALIKA-26	20001089AA	HEX. HEAD SCREW M8 X 1.25-25 8-8 SA2JS	4			

Sr.	Model	Item Code	Description	Qty	Int.	Remarks	Cut Off
12	SOLIS-24	20001089AB	HEX. HEAD SCREW M8 X 1.25-25 8-8 SA4JS	4			
12	SOLIS-24 EPA	20005564AA	HEX HEAD SCREW M8X1.25-25 -8.8 SA4GS	4			
13	SOLIS-26,SONALIKA-26	04030400008	SPRING WASHER B-8	4		INTERCHANGEABLE WITH 20005517AA (ROHS)	
13	SOLIS-24	20003670AC	SPRING WASHER B-8 TYPE-A IS: 3063-1972	4			
13	SOLIS-24 EPA	20005517AA	SPRING WASHER B-8 TYPE-A IS: 3063-1972	4			
13	SOLIS-26,SONALIKA-26	20005517AA	SPRING WASHER B-8 TYPE A IS: 3067-1972	4	YES	(ROHS) INTERCHANGEABLE WITH 04030400008	

20140A-1/1

FRONT AXLE- TRUMPET ASSY



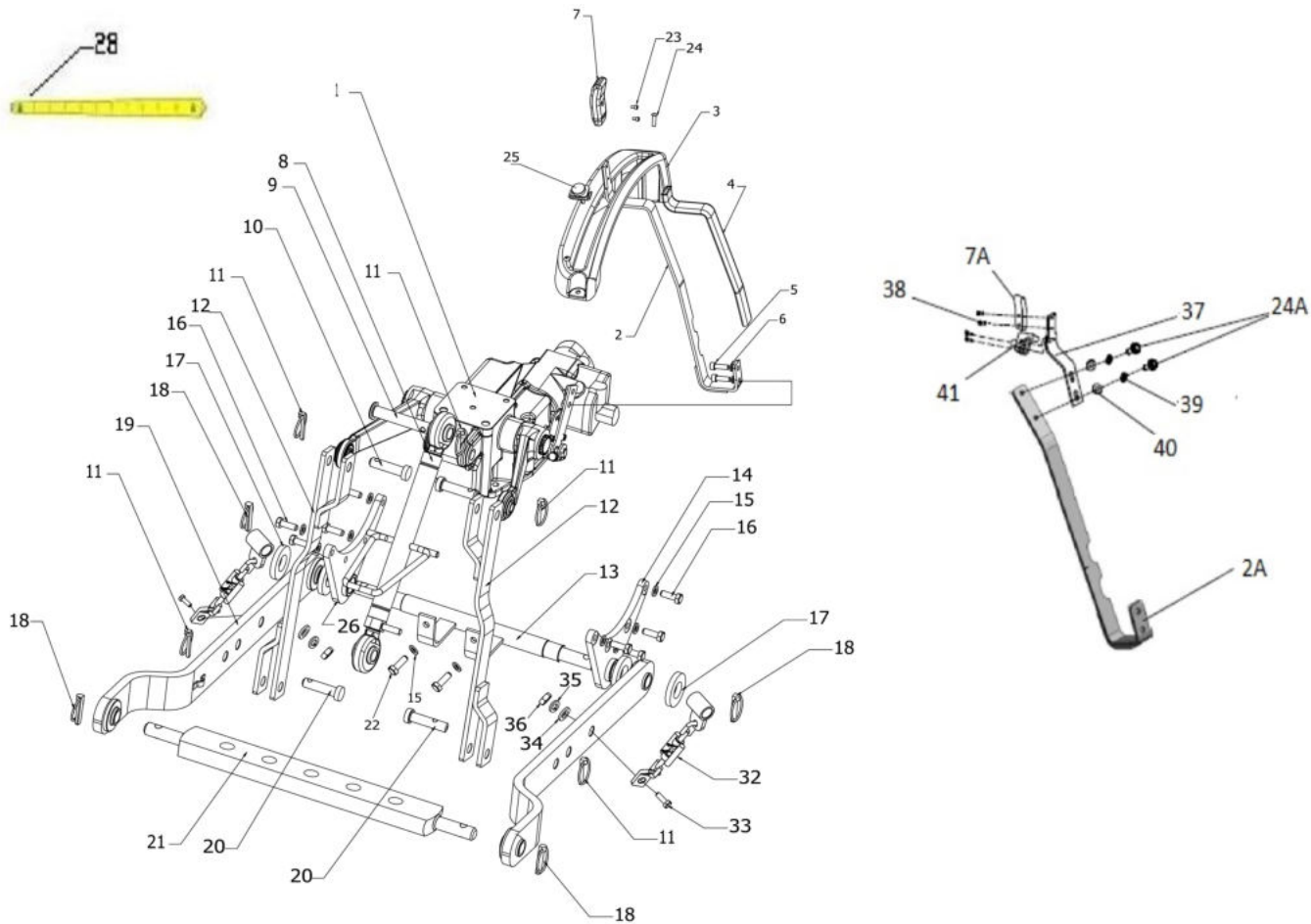
Sr.	Model	Item Code	Description	Qty	Int.	Remarks	Cut Off
1	SOLIS-26,SONALIKA-26, SOLIS-24	10051010AC	FRONT AXLE SHAFT	2			
2	SOLIS-26,SONALIKA-26	20004125AA	BALL BEARING 63/28	2		INTERCHANGE ABLE WITH 20004125AB (ROHS)	
2	SOLIS-24 EPA	20004125AB	Ball Bearing 63/28	2			
2	SOLIS-26,SONALIKA-26	20004125AB	BALL BEARING 63/28	2	YES	(ROHS) INTERCHANGE ABLE WITH 20004125AA	
3	SOLIS-26,SONALIKA-26, SOLIS-24	20004276AA	EXTERNAL CIRCLIP A-28 IS:3075	2			
4	SOLIS-26,SONALIKA-26, SOLIS-24	10051309AA	SHIM(GEAR Z-15)-0.20	1			

Sr.	Model	Item Code	Description	Qty	Int.	Remarks	Cut Off
4(i)	SOLIS-26,SONALIKA-26, SOLIS-24	10051310AA	SHIM(GEAR Z-15)-0.30	1			
4(ii)	SOLIS-26,SONALIKA-26	10051311AA	SHIM(GEAR Z-15)-0.50	1			
5	SOLIS-26,SONALIKA-26, SOLIS-24	10051052AB	BEVEL GEAR Z-15	2			
6	SOLIS-26,SONALIKA-26, SOLIS-24	10051244AG	ASSY TRUMPET HSG FRONT (L)	1		INTERCHANGE ABLE WITH 10051244AH (ROHS)	
6A	SOLIS-26,SONALIKA-26, SOLIS-24	10051061AC	BUSH (FRONT AXLE HSG.)	2		INTERCHANGE ABLE WITH 300059783A (ROHS)	
6	SOLIS-26,SONALIKA-26, SOLIS-24	10051244AH	Assy trumpet Hsg Front (L)	1		(ROHS) INTERCHANGE ABLE WITH 10051244AG	
6A	SOLIS-26,SONALIKA-26, SOLIS-24	300059783A	BUSH (FRONT AXLE HOUSING)	2		(ROHS) INTERCHANGE ABLE WITH 10051061AC	
7	SOLIS-26,SONALIKA-26	10051064AA	GASKET FRONT AXLE	1		INTERCHANGE ABLE WITH 10054284AA (ROHS)	
7	SOLIS-24	10054284AA	GASKET (FRONT AXLE HSG)	1			
7	SOLIS-26,SONALIKA-26	10054284AA	GASKET (FRONT AXLE HSG)	1		(ROHS) INTERCHANGE ABLE WITH 10051064AA	
8	SOLIS-26,SONALIKA-26, SOLIS-24	10053743AA	TRUMPET HOUSING FRONT AXLE (R)	1			
9	SOLIS-26,SONALIKA-26	20001089AA	HEX. HEAD SCREW M8 X 1.25-25 8-8 SA2JS	8			
9	SOLIS-24	20001089AB	HEX. HEAD SCREW M8 X 1.25-25 8-8 SA4JS	8			
9	SOLIS-24 EPA	20005564AA	HEX HEAD SCREW M8X1.25-25 -8.8 SA4GS	8			
10	SOLIS-26,SONALIKA-26	04030400008	SPRING WASHER B-8	8		INTERCHANGE ABLE WITH 20005517AA (ROHS)	
10	SOLIS-24	20003670AC	SPRING WASHER B-8 TYPE-A IS: 3063-1972	8			
10	SOLIS-24 EPA	20005517AA	SPRING WASHER B-8 TYPE-A IS: 3063-1972	8			
10	SOLIS-26,SONALIKA-26	20005517AA	SPRING WASHER B-8 TYPE A IS: 3067-1972	8	YES	(ROHS) INTERCHANGE ABLE WITH 04030400008	
11	SOLIS-26,SONALIKA-26, SOLIS-24	20003235AB	HEX SCREW M10X20	1			
12	SOLIS-26,SONALIKA-26, SOLIS-24	10051317AA	SEALING WASHER 10X16	1			
13	SOLIS-26,SONALIKA-26	10051276AD	BREATHER	1		INTERCHANGE ABLE WITH 10051276AF (ROHS)	
13	SOLIS-24	10051276AE	BREATHER	1			
13	SOLIS-26,SONALIKA-26	10055222AA	BREATHER (PADDY AXLE)	1	NO	INTERCHANGE ABILITY AS A SET WITH 10051021BA,	KMGST688134G

Sr.	Model	Item Code	Description	Qty	Int.	Remarks	Cut Off
						10075013AB AND 10012629AB	
13	SOLIS-24 EPA	10055222AA	BREATHER	1		INTERCHANGE ABLE WITH 10055222AB (ROHS)	
13	SOLIS-26,SONALIKA-26	10051276AF	BREATHER	1		(ROHS) INTERCHANGE ABLE WITH 10051276AD	
13	SOLIS-24 EPA	10055222AB	BREATHER (PADDY AXLE)	1		(ROHS) INTERCHANGE ABLE WITH 10055222AA	
13	SONALIKA-26 FACELIFT	10055222AB	BREATHER (PADDY AXLE)	1			
14	SOLIS-26,SONALIKA-26	10051259AA	BREATHER CAP	1		INTERCHANGE ABLE WITH 10051259AC (ROHS)	
14	SOLIS-24	10051259AC	BREATHER CAP	1			
14	SOLIS-26,SONALIKA-26	10012629AB	BREATHER ASSY	1	NO	INTERCHANGE ABILITY AS A SET WITH 10051021BA, 10075013AB AND 10055222AA	KMGST688134G
14	SOLIS-26,SONALIKA-26	10051259AC	BREATHER CAP	1		(ROHS) INTERCHANGE ABLE WITH 10051259AA	
15	SOLIS-26,SONALIKA-26	10051297AB	GASKET (STUB AXLE HSG)	2		INTERCHANGE ABLE WITH 10054285AA (ROHS)	
15	SOLIS-26,SONALIKA-26	10054285AA	GASKET (STUB AXLE HSG)	2		(ROHS) INTERCHANGE ABLE WITH 10051297AB	
16	SOLIS-26,SONALIKA-26	20002016AB	HEX. HEAD SCREW M10 X 1.5 X 30 8-8 SA2JS	8			
16	SOLIS-24	20002016AC	HEX. HEAD SCREW M10 X 1.5 X 30 8-8 SA4JS	8			
16	SOLIS-24 EPA	20005562AA	HEX HEAD SCREW M10X1.5X30 -8.8 SA4GS	8			
17	SOLIS-24	20003671AC	SPRING WASHER B-10 TYPE-A IS: 3063-1972	8		C.W & T.P SET CODE (10051363AE)	
17	SOLIS-26,SONALIKA-26	04030400010	SPRING WASHER B-10	8			
17	SOLIS-24 EPA	20005518AA	SPRING WASHER B-10 TYPE A IS: 3067-1972	8		C.W & T.P SET CODE (10051363AE)	
17	SOLIS-24	20005518AA	SPRING WASHER B-10 TYPE A IS: 3067-1972	8	YES	(ROHS) INTERCHANGE ABLE WITH 20003671AC	
18	SOLIS-26,SONALIKA-26, SOLIS-24	10030240AD	GEAR RING	1			
19	SOLIS-24	10055576AA	FRONT AXLE ASSY WT-24	1			
19	SOLIS-26,SONALIKA-26	10053136AA	FRONTAXLEASSY GT26 PS	1		INTERCHANGE ABLE WITH	

Sr.	Model	Item Code	Description	Qty	Int.	Remarks	Cut Off
						10055576AA (ROHS)	
19	SOLIS-26,SONALIKA-26	10055576AA	FRONT AXLE ASSY WT-24	1	YES	(ROHS) INTERCHANGE ABLE WITH 10053136AA	
20	SOLIS-26,SONALIKA-26	10051852AA	O RING	2		INTERCHANGE ABLE WITH 10051852AC (ROHS)	
20	SOLIS-24	10051852AB	O RING	2			
20	SOLIS-26,SONALIKA-26	10051852AC	O RING Ø89.4X Ø2.0	2		(ROHS) INTERCHANGE ABLE WITH 10051852AA	
21	SOLIS-26,SONALIKA-26, SOLIS-24	20000104AA	HEX SCREW M6*10	1		INTERCHANGE ABLE WITH 20005573AA (ROHS)	
21	SOLIS-26,SONALIKA-26, SOLIS-24	20005573AA	HEX SCREW M6X10	1	YES	(ROHS) INTERCHANGE ABLE WITH 20000104AA	
22	SOLIS-26,SONALIKA-26, SOLIS-24	10051315AA	SEALING WASHER 6X10	1			
23	SOLIS-26,SONALIKA-26, SOLIS-24	10019095AA	LOCTITE 243	15		IN ML,NOT SHOWN	
23	SOLIS-26,SONALIKA-26	10019095AB	THREAD LOCKING AGENT1 (LOCTITE243/ANA113E	15	YES		MEMMZGFF544 373S3
24	SOLIS-26,SONALIKA-26, SOLIS-24	042300206AA	GEAR OIL E.P.80 GL - 4	2		IN LITRES,NOT SHOWN	
25	SOLIS-26,SONALIKA-26, SOLIS-24	20004244AA	ANABOND-666	15		IN GMS, NOT SHOWN	
26	SOLIS-26,SONALIKA-26	10051045AA	DRAG LINK ASSY (RIGHT)	1		INTERCHANGE ABLE WITH 300126674A (ROHS)	
26	SOLIS-24	10051045AC	DRAG LINK ASSY (RIGHT)	1			
26	SOLIS-26,SONALIKA-26	300126674A	DRAG LINK ASSY (CROSS)	1		(ROHS) INTERCHANGE ABLE WITH 10051045AA	
26	SONALIKA-26 FACELIFT	10051045AD	DRAG LINK ASSY (RIGHT)	1			
6+6A	SOLIS-26,SONALIKA-26, SOLIS-24	10051244AG	ASSY TRUMPET HSG FRONT (L)	1		INTERCHANGE ABLE WITH 10051244AH (ROHS)	
6+6A	SOLIS-26,SONALIKA-26, SOLIS-24	10051244AH	Assy trumpet Hsg Front (L)	1		(ROHS) INTERCHANGE ABLE WITH 10051244AG	

21110A-1/1 THREE POINT LINKAGES WITH RIGID LIFT ROD'S



Sr.	Model	Item Code	Description	Qty	Int.	Remarks	Cut Off
1	SOLIS-26,SONALIKA-26	10051219AC	MITA HYDRAULIC 500KG	1			
1	SOLIS 26 WITH MITA LIFT WITHOUT TIPPING TRAILER	10051219BA	MITA HYDRAULIC 500KG	1	NO	PART MODIFIED FROM 10051219AC	MEMGMGST639 247G
2	SOLIS-26,SONALIKA-26	10053426AC	POSITION LEVER	1			
2	SOLIS-26,SONALIKA-26	10053426AD	POSITION LEVER	1			
2A	SOLIS-26,SONALIKA-26 (ALL EXPORT MODELS)	10053426AE	POSITION LEVER	1	YES	NEW PARTS ADDED WITH 10053426AE FROM	MEMGMKSF554 589G26
2A	SOLIS-26,SONALIKA-26 (ALL EXPORT MODELS)	10056135AA	POSITION LEVER (BLACK PAINTED)	1		NEW PARTS ADDED WITH 10053426AE	MEMGMKSF554 589G26

Sr.	Model	Item Code	Description	Qty	Int.	Remarks	Cut Off
						FROM	
3	SOLIS-26,SONALIKA-26	10053425AB	COVER POSITION LEVER	1		INTERCHANGEABLE WITH 10053425AE (ROHS)	
3	SOLIS-26,SONALIKA-26	10053425AC	COVER POSITION LEVER	1		INTERCHANGEABLE WITH 10053425AD (ROHS)	
3	SOLIS-26,SONALIKA-26	10053425AE	COVER POSITION LEVER	1		(ROHS) INTERCHANGEABLE WITH 10053425AB	
3	SOLIS-26,SONALIKA-26	10053425AD	COVER POSITION LEVER	1		(ROHS) INTERCHANGEABLE WITH 10053425AC	
4	SOLIS-26,SONALIKA-26	10053728AA	POSITION LEVER DAMPER	1			
5	SOLIS-26,SONALIKA-26	04040308025	HEX SOCKET HEAD CAP SCREW M8*25	2			
6	SOLIS-26,SONALIKA-26	04030400008	SPRING WASHER B-8	2		INTERCHANGEABLE WITH 20005517AA (ROHS)	
6	SOLIS-26,SONALIKA-26	20005517AA	SPRING WASHER B-8 TYPE A IS: 3067-1972	2	YES	(ROHS) INTERCHANGEABLE WITH 04030400008	
7	SOLIS-26,SONALIKA-26	10053690AA	KNOB (POSITION LEVER)	1			
7	SOLIS-26,SONALIKA-26	10054155AA	POSITION LEVER KNOB	1		INTERCHANGEABLE WITH 10054155AB (ROHS)	
7A	SOLIS-26,SONALIKA-26 (ALL EXPORT MODELS)	10053690AA	KNOB (POSITION LEVER)	1	NO		MEMGMKSF554589G26
7	SOLIS-26,SONALIKA-26	10054155AB	POSITION LEVER KNOB	1		(ROHS) INTERCHANGEABLE WITH 10054155AA	
8	SOLIS-26,SONALIKA-26	10051213AA	TOP LINK ASSY	1		INTERCHANGEABLE WITH 300025225A (ROHS)	
8	SOLIS-26,SONALIKA-26	300025225A	TOP LINK ASSY	1	YES	(ROHS) INTERCHANGEABLE WITH 10051213AA	
9	SOLIS-26,SONALIKA-26	10053509AA	PIN FOR TOP LINK	1			
9	SOLIS-26,SONALIKA-26	10053509AC	PIN FOR TOP LINK	1		INTERCHANGEABLE WITH 10057679AA (ROHS)	
9	SOLIS-26,SONALIKA-26	10057679AA	PIN FOR TOP LINK	1		(ROHS) INTERCHANGEABLE WITH 10053509AC	
10	SOLIS-26,SONALIKA-26	10051208AA	PIN (3 POINT LINKAGE)	2			
10	SOLIS-26,SONALIKA-26	10054339AA	LIFT ARM PIN	2		INTERCHANGEABLE WITH 10057687AA (ROHS)	

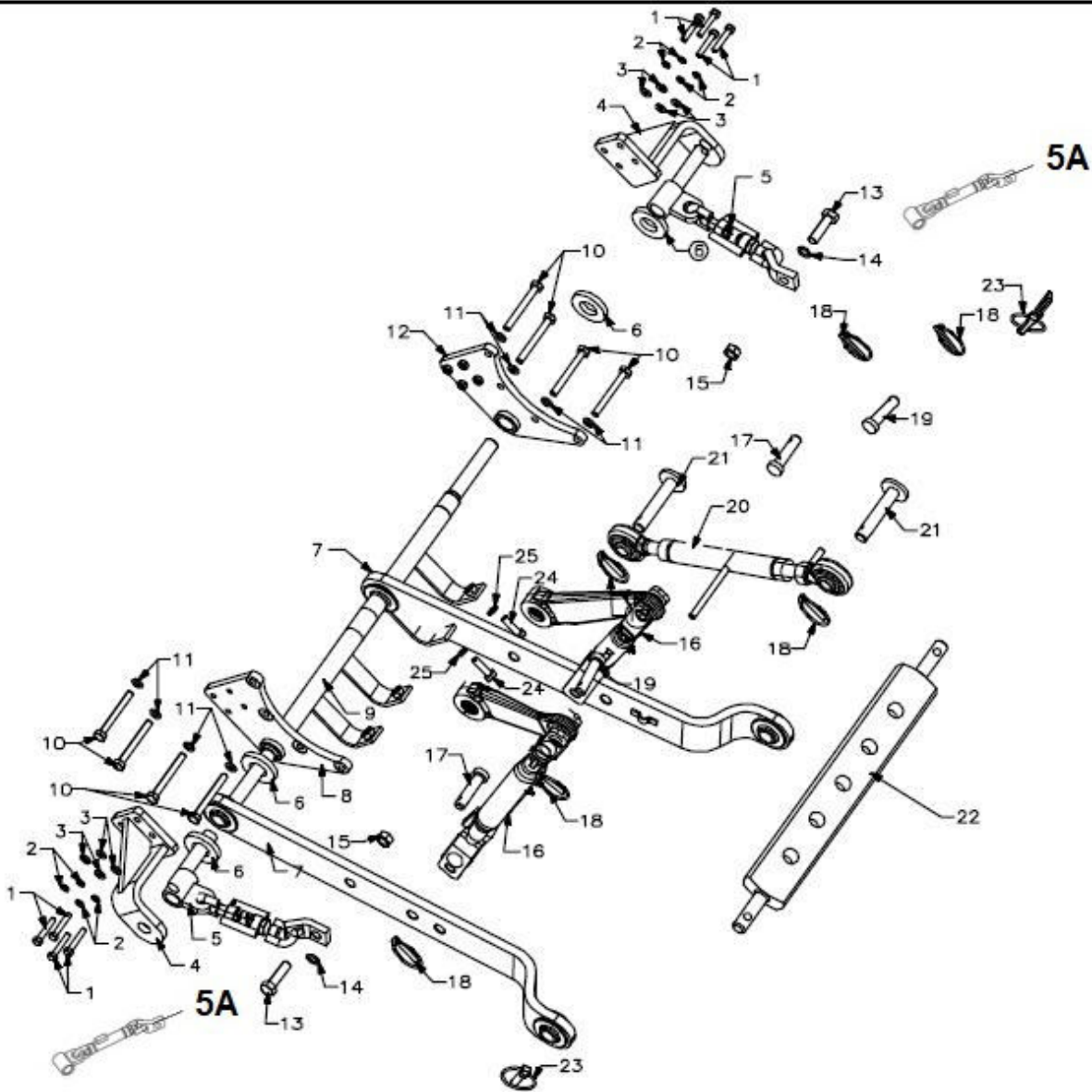
Sr.	Model	Item Code	Description	Qty	Int.	Remarks	Cut Off
10	SOLIS-26,SONALIKA-26	10057687AA	PIN (3 POINT LINK)	2	YES	(ROHS) INTERCHANGE ABLE WITH 10054339AA	
11	SOLIS-26,SONALIKA-26	10080109AB	LINCH PIN ASSY.(Ø7)	6		INTERCHANGE ABLE WITH 10087923AA (ROHS)	
11	SOLIS-26,SONALIKA-26	10087923AA	LINCH PIN ASSY.(Ø7)	6	YES	(ROHS) INTERCHANGE ABLE WITH 10080109AB	
12	SOLIS-26,SONALIKA-26	10052726AB	LIFT ROD ASSY	2			
13	SOLIS-26,SONALIKA-26	10051261BB	SHAFT LOWER LINK ASSY	1			
14	SOLIS-26,SONALIKA-26	10051218AB	BUSH PLATE ASSY (RIGHT)	1			
15	SOLIS-26,SONALIKA-26	04030400010	SPRING WASHER B-10	10			
16	SOLIS-26,SONALIKA-26	20003223AA	HEX BOLT M10*1.5*90 8-8 SA3NS	8			
16	SOLIS-26,SONALIKA-26	20003223AB	HEX. BOLT M10*1.5*90	8	YES		BMKSF538711G 26
17	SOLIS-26,SONALIKA-26	10051635AA	SPACER FOR LOWER LINK	4		INTERCHANGE ABLE WITH 10057675AA (ROHS)	
17	SOLIS-26,SONALIKA-26	10057675AA	SPACER FOR LOWER LINK	4		(ROHS) INTERCHANGE ABLE WITH 10051635AA	
18	SOLIS-26,SONALIKA-26	10004900AA	LINCH PIN	4		INTERCHANGE ABLE WITH 10004900AB (ROHS)	
18	SOLIS-26,SONALIKA-26	10004900AB	LINCH PIN	4	YES	(ROHS) INTERCHANGE ABLE WITH 10004900AA	
19	SOLIS-26,SONALIKA-26	10051212AF	LOWER LINK ASSY	2		INTERCHANGE ABLE WITH 10051212AJ (ROHS)	
19	SOLIS-26,SONALIKA-26	10051212AI	LOWER LINK ASSY	2			
19	SOLIS-26,SONALIKA-26	300011311B	LOWER LINK ASSY	2	YES	INTERCHANGA BLE WITH 10051212AI & 10051212AF IN SOLIS-20	FOR NON EU MODELS- LMKSG805886G 26, FOR EU MODELS- MEMRMKSNLJ H03668
19	SOLIS-26,SONALIKA-26	10051212AJ	LOWER LINK ASSY	2		(ROHS) INTERCHANGE ABLE WITH 10051212AF	
20	SOLIS-26,SONALIKA-26	10051208AA	PIN (3 POINT LINKAGE)	2			
21	SOLIS-26,SONALIKA-26	10051214AB	DRAW BAR	1			
22	SOLIS-26,SONALIKA-26	20002016AB	HEX. HEAD SCREW M10 X 1.5 X 30 8-8 SA2JS	2			
23	SOLIS-26,SONALIKA-26	20004660AB	SOCKET HEAD CAP SCREW	2			

Sr.	Model	Item Code	Description	Qty	Int.	Remarks	Cut Off
24	SOLIS-26,SONALIKA-26	20004652AA	TRUSS PHILIPS M/C SCREW M6X20	2		INTERCHANGEABLE WITH 20004652AB (ROHS)	
24A	SOLIS-26,SONALIKA-26 (ALL EXPORT MODELS)	20003517AA	HEX FLANGE SCREW M6*1*16-8.8 SA2JS	2	NO		MEMGMKSF554 589G26
24	SOLIS-26,SONALIKA-26	10067946AA	CROSS SLOTTED TRUSS HEAD SCREW M8X25	2			
24	SOLIS-26,SONALIKA-26	20004978AA	HEX FLANGE SCREW M8X25-8.8 SA4NS	2	YES	INTERCHANGEABLE WITH 20005543AA (ROHS)	MEMFMKST649 802G26
24	SOLIS-26,SONALIKA-26	20004652AB	TRUSS PHILIPS M/C SCREW M6X20	2		(ROHS) INTERCHANGEABLE WITH 20004652AA	
24	SOLIS-26,SONALIKA-26	20005543AA	HEX FLANGE SCREW M8*1.25*25-8.8 SA4GS	2		(ROHS) INTERCHANGEABLE WITH 20004978AA	
25	SOLIS-26,SONALIKA-26	10053691AA	LOCK COVER POSITION LEVER	1			
25	SOLIS-26,SONALIKA-26	10053691AC	LOCK COVER POSITION LEVER	1		INTERCHANGEABLE WITH 10053691AE (ROHS)	
25	SOLIS-26,SONALIKA-26	10053691AE	KNOB ASSY	1	YES	(ROHS) INTERCHANGEABLE WITH 10053691AC	
26	SOLIS-26,SONALIKA-26	10051217AB	BUSH PLATE ASSY(LEFT)	1			
28	SOLIS-26,SONALIKA-26	10053697AA	STICKER POSITION LEVER	1			
28	SOLIS-26,SONALIKA-26	10053697AB	STICKER POSITION LEVER	1		INTERCHANGEABLE WITH 10053697AD (ROHS)	
28	SOLIS-26,SONALIKA-26	10053697AD	STICKER POSITION LEVER	1		(ROHS) INTERCHANGEABLE WITH 10053697AB	
32	SOLIS-26,SONALIKA-26	10052349AB	ADJUSTABLE ANCHOR CHAIN	2			
33	SOLIS-26,SONALIKA-26	20003788AA	HEX BOLT M14 X 2 X 50 SA2JS	2		INTERCHANGEABLE WITH 20005495AA (ROHS)	
33	SOLIS-26,SONALIKA-26	20005495AA	HEX BOLT M14X2X50 SA4GS	2	YES	(ROHS) INTERCHANGEABLE WITH 20003788AA	
34	SOLIS-26,SONALIKA-26	20004304AA	PUNCHED WASHER A14 IS:2016	2		INTERCHANGEABLE WITH 20005512AA (ROHS)	
34	SOLIS-26,SONALIKA-26	20005512AA	PUNCHED WASHER A14 IS:2016	2		(ROHS) INTERCHANGEABLE WITH 20004304AA	
35	SOLIS-26,SONALIKA-26	04030400014	SPRING WASHER B-14	2		INTERCHANGEABLE WITH 20005520AA (ROHS)	
35	SOLIS-26,SONALIKA-26	20005520AA	SPRING WASHER B-14 TYPE A IS: 3067-1972	2		(ROHS) INTERCHANGEABLE	

Sr.	Model	Item Code	Description	Qty	Int.	Remarks	Cut Off
						ABLE WITH 04030400014	
36	SOLIS-26,SONALIKA-26	20003361AA	HEX NUT M14X2 -8 SA3NS	2			
36	SOLIS-26,SONALIKA-26	20004532AA	HEX NUT M14X2 -8 SA2JS	2		INTERCHANGE ABLE WITH 20005505AA (ROHS)	
36	SOLIS-26,SONALIKA-26	20005505AA	HEX NUT M14X2 -8 SA4GS	2		(ROHS) INTERCHANGE ABLE WITH 20004532AA	
37	SOLIS-26,SONALIKA-26 (ALL EXPORT MODELS)	10055550AB	POSITION LEVER UPPER PART	1		NEW PARTS ADDED WITH 10053426AE FROM	MEMGMKSF554 589G26
37	SOLIS-26,SONALIKA-26 (ALL EXPORT MODELS)	10056133AA	POSITION LEVER UPPER PART (BLACK PAINTED)	1		NEW PARTS ADDED WITH 10053426AE FROM	MEMGMKSF554 589G26
38	SOLIS-26,SONALIKA-26 (ALL EXPORT MODELS)	20004660AC	SOCKET HEAD CAP SCREW	4		NEW PARTS ADDED WITH 10053426AE FROM	MEMGMKSF554 589G26
39	SOLIS-26,SONALIKA-26 (ALL EXPORT MODELS)	04030400006	SPRING WASHER B-6	2		NEW PARTS ADDED WITH 10053426AE FROM	MEMGMKSF554 589G26
40	SOLIS-26,SONALIKA-26 (ALL EXPORT MODELS)	04030600006	PLAIN WASHER DIA 6.4 *DIA 18 *1.5	2		NEW PARTS ADDED WITH 10053426AE FROM	MEMGMKSF554 589G26
41	SOLIS-26,SONALIKA-26 (ALL EXPORT MODELS)	10055562AA	KNOB FOR PC DC LEVER	1		NEW PARTS ADDED WITH 10053426AE FROM	MEMGMKSF554 589G26

21111A-1/1

THREE POINT LINKAGES WITH ADDC



Sr.	Model	Item Code	Description	Qty	Int.	Remarks	Cut Off
1	SOLIS-26,SONALIKA-26 WITH ADDC	20003286AB	HEX SCREW M8X1.25X35 8-8 SA2JS	8			
2	SOLIS-26,SONALIKA-26 WITH ADDC	04030400008	SPRING WASHER B-8	8		INTERCHANGEABLE WITH 20005517AA (ROHS)	
2	SOLIS-26,SONALIKA-26 WITH ADDC	20005517AA	SPRING WASHER B-8 TYPE A IS: 3067-1972	8	YES	(ROHS) INTERCHANGEABLE WITH 04030400008	
3	SOLIS-26,SONALIKA-26 WITH ADDC	04030800008	M/CD WASHER DIA 8.4 *DIA 17*1.6	8			
4	SOLIS-26,SONALIKA-26 WITH ADDC	10054560AA	ADDITIONAL SUPPORT FOR LOWER LINK MOUNTI	2			
5	SOLIS-26,SONALIKA-26 WITH ADDC	10054334AA	ADJUSTABLE ANCHOR CHAIN ASSY	2			

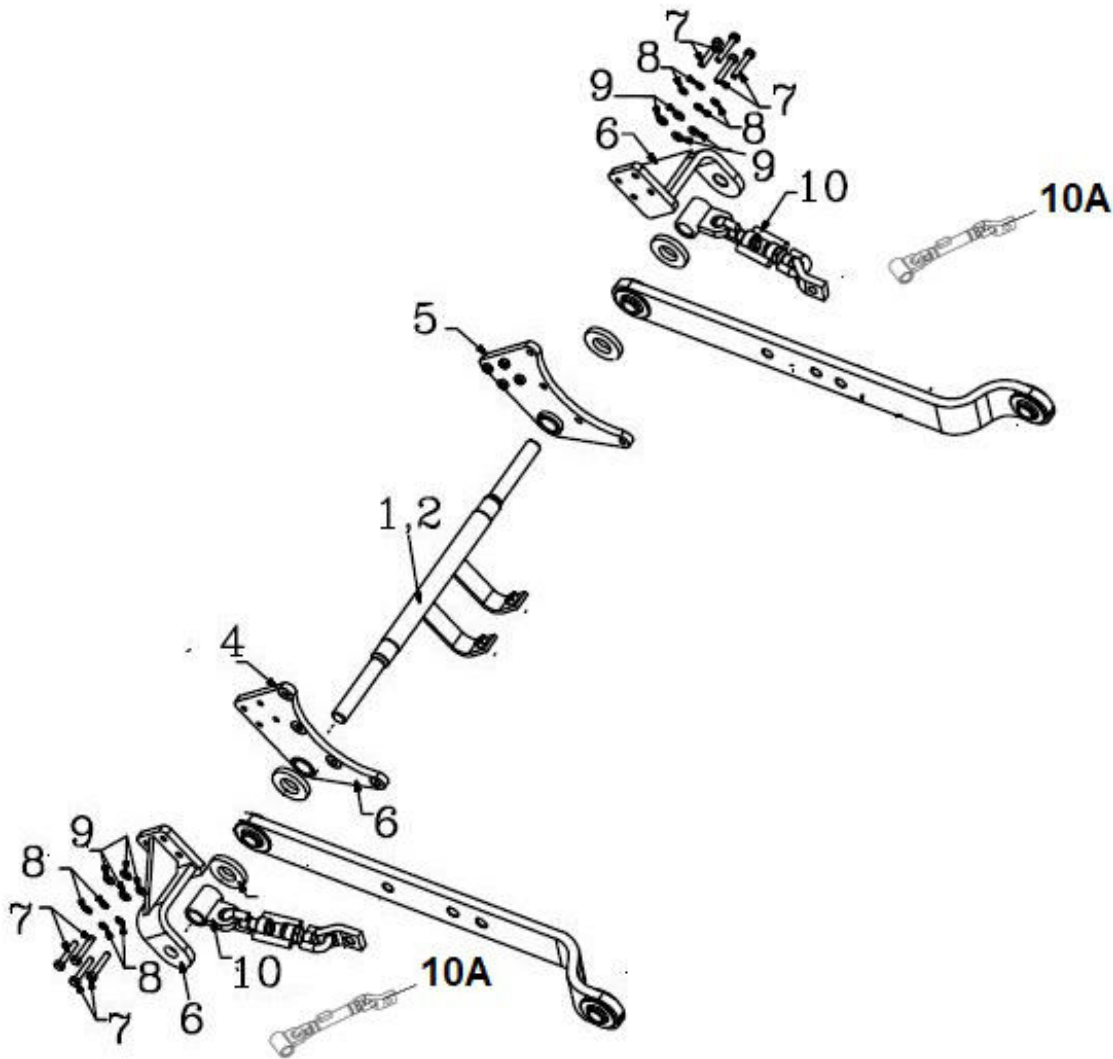
Sr.	Model	Item Code	Description	Qty	Int.	Remarks	Cut Off
5	SOLIS-26,SONALIKA-26 WITH ADDC	10054334AB	ADJUSTABLE ANCHOR CHAIN ASSY	2	YES	INTERCHANGEABLE WITH 10055551AB (ROHS)	KMKSU527105G26D
5A	SOLIS-26,SONALIKA-26 WITH ADDC	300010577B	ADJUSTABLE ANCHOR CHAIN ASSY	2	YES		FOR NON EU MODELS-LMKSG805886G26, FOR EU MODELS-MEMRMKSNLJH03668
5	SOLIS-26,SONALIKA-26 WITH ADDC	10055551AB	ADJUSTABLE ANCHOR CHAIN ASSY	2		(ROHS) INTERCHANGEABLE WITH 10054334AB	
6	SOLIS-26,SONALIKA-26 WITH ADDC	10051635AA	SPACER FOR LOWER LINK	4		INTERCHANGEABLE WITH 10057675AA (ROHS)	
6	SOLIS-26,SONALIKA-26 WITH ADDC	10057675AA	SPACER FOR LOWER LINK	4		(ROHS) INTERCHANGEABLE WITH 10051635AA	
7	SOLIS-26,SONALIKA-26 WITH ADDC	10051212AI	LOWER LINK ASSY	2			
7	SOLIS-26,SONALIKA-26 WITH ADDC	300011311B	LOWER LINK ASSY	2	YES		FOR NON EU MODELS-LMKSG805886G26, FOR EU MODELS-MEMRMKSNLJH03668
8	SOLIS-26,SONALIKA-26 WITH ADDC	10054335AA	BUSH PLATE ASSY LH	1			
9	SOLIS-26,SONALIKA-26 WITH ADDC	10054649AA	SHAFT LOWER LINK	1			
9	SOLIS-26 EXPORT MODELS	10054649AB	SHAFT LOWER LINK	1	YES	INTERCHANGEABLE WITH 10055553AB (ROHS)	MEMGMGSF553036G
9	SOLIS-26 EXPORT MODELS	10055553AB	SHAFT LOWER LINK	1		(ROHS) INTERCHANGEABLE WITH 10054649AB	
10	SOLIS-26,SONALIKA-26 WITH ADDC	20003223AA	HEX BOLT M10*1.5*90 8-8 SA3NS	8			
10	SOLIS-26,SONALIKA-26 WITH ADDC	20003223AB	HEX. BOLT M10*1.5*90	8	YES		BMKSF538711G26
11	SOLIS-26,SONALIKA-26 WITH ADDC	04030400010	SPRING WASHER B-10	8			
12	SOLIS-26,SONALIKA-26 WITH ADDC	10054336AA	BUSH PLATE ASSY RH	1			
13	SOLIS-26,SONALIKA-26 WITH ADDC	20003788AA	HEX BOLT M14 X 2 X 50 SA2JS	2		INTERCHANGEABLE WITH 20005495AA (ROHS)	
13	SOLIS-26,SONALIKA-26 WITH ADDC	20005495AA	HEX BOLT M14X2X50 SA4GS	2	YES	(ROHS) INTERCHANGEABLE WITH 20003788AA	
14	SOLIS-26,SONALIKA-26 WITH ADDC	20004304AA	PUNCHED WASHER A14 IS:2016	2		INTERCHANGEABLE WITH 20005512AA (ROHS)	

Sr.	Model	Item Code	Description	Qty	Int.	Remarks	Cut Off
14	SOLIS-26,SONALIKA-26 WITH ADDC	20005512AA	PUNCHED WASHER A14 IS:2016	2		(ROHS) INTERCHANGE ABLE WITH 20004304AA	
15	SOLIS-26,SONALIKA-26 WITH ADDC	20004532AA	HEX NUT M14X2 -8 SA2JS	2		INTERCHANGE ABLE WITH 20005505AA (ROHS)	
15	SOLIS-26,SONALIKA-26 WITH ADDC	20005505AA	HEX NUT M14X2 -8 SA4GS	2		(ROHS) INTERCHANGE ABLE WITH 20004532AA	
16	SOLIS-26,SONALIKA-26 WITH ADDC	10055049AA	ADJUSTABLE LIFT ROD ASSY	2			
17	SOLIS-26,SONALIKA-26 WITH ADDC	10051208AA	PIN (3 POINT LINKAGE)	2			
18	SOLIS-26,SONALIKA-26 WITH ADDC	10080109AB	LINCH PIN ASSY.(Ø7)	6		INTERCHANGE ABLE WITH 10087923AA (ROHS)	
18	SOLIS-26,SONALIKA-26 WITH ADDC	10087923AA	LINCH PIN ASSY.(Ø7)	6	YES	(ROHS) INTERCHANGE ABLE WITH 10080109AB	
19	SOLIS-26,SONALIKA-26 WITH ADDC	10054339AA	LIFT ARM PIN	2		INTERCHANGE ABLE WITH 10057687AA (ROHS)	
19	SOLIS-26,SONALIKA-26 WITH ADDC	10057687AA	PIN (3 POINT LINK)	2	YES	(ROHS) INTERCHANGE ABLE WITH 10054339AA	
20	SOLIS-26,SONALIKA-26 WITH ADDC	10054020AA	TOP LINK ASSEMBLY	1			
21	SOLIS-26,SONALIKA-26 WITH ADDC	10053509AC	PIN FOR TOP LINK	2		INTERCHANGE ABLE WITH 10057679AA (ROHS)	
21	SOLIS-26,SONALIKA-26 WITH ADDC	10057679AA	PIN FOR TOP LINK	2		(ROHS) INTERCHANGE ABLE WITH 10053509AC	
22	SOLIS-26,SONALIKA-26 WITH ADDC	10051214AB	DRAW BAR	1			
23	SOLIS-26,SONALIKA-26 WITH ADDC	10080109AB	LINCH PIN ASSY.(Ø7)	2		INTERCHANGE ABLE WITH 10087923AA (ROHS)	
23	SOLIS-26,SONALIKA-26 WITH ADDC	10087923AA	LINCH PIN ASSY.(Ø7)	2	YES	(ROHS) INTERCHANGE ABLE WITH 10080109AB	
24	SOLIS-26,SONALIKA-26 WITH ADDC	20003238AA	HEX SCREW M10X35 8-8 SA3NS	2		INTERCHANGE ABLE WITH 20005584AA (ROHS)	
24	SOLIS-26,SONALIKA-26 WITH ADDC	20003238AB	HEX. SCREW M10X35	2	YES		MYJSF543803G 22, MEMMZKFF544 053W
24	SOLIS-26,SONALIKA-26 WITH ADDC	20005584AA	HEX HEAD SCREW M10X40-Z 8.8 SA4GS	2		(ROHS) INTERCHANGE ABLE WITH 20003238AA	
25	SOLIS-26,SONALIKA-26	04030400010	SPRING WASHER B-10	2			

Sr.	Model	Item Code	Description	Qty	Int.	Remarks	Cut Off
	WITH ADDC						

21112A-1-1

THREE POINT LINKAGES ASSY (MODIFIED).

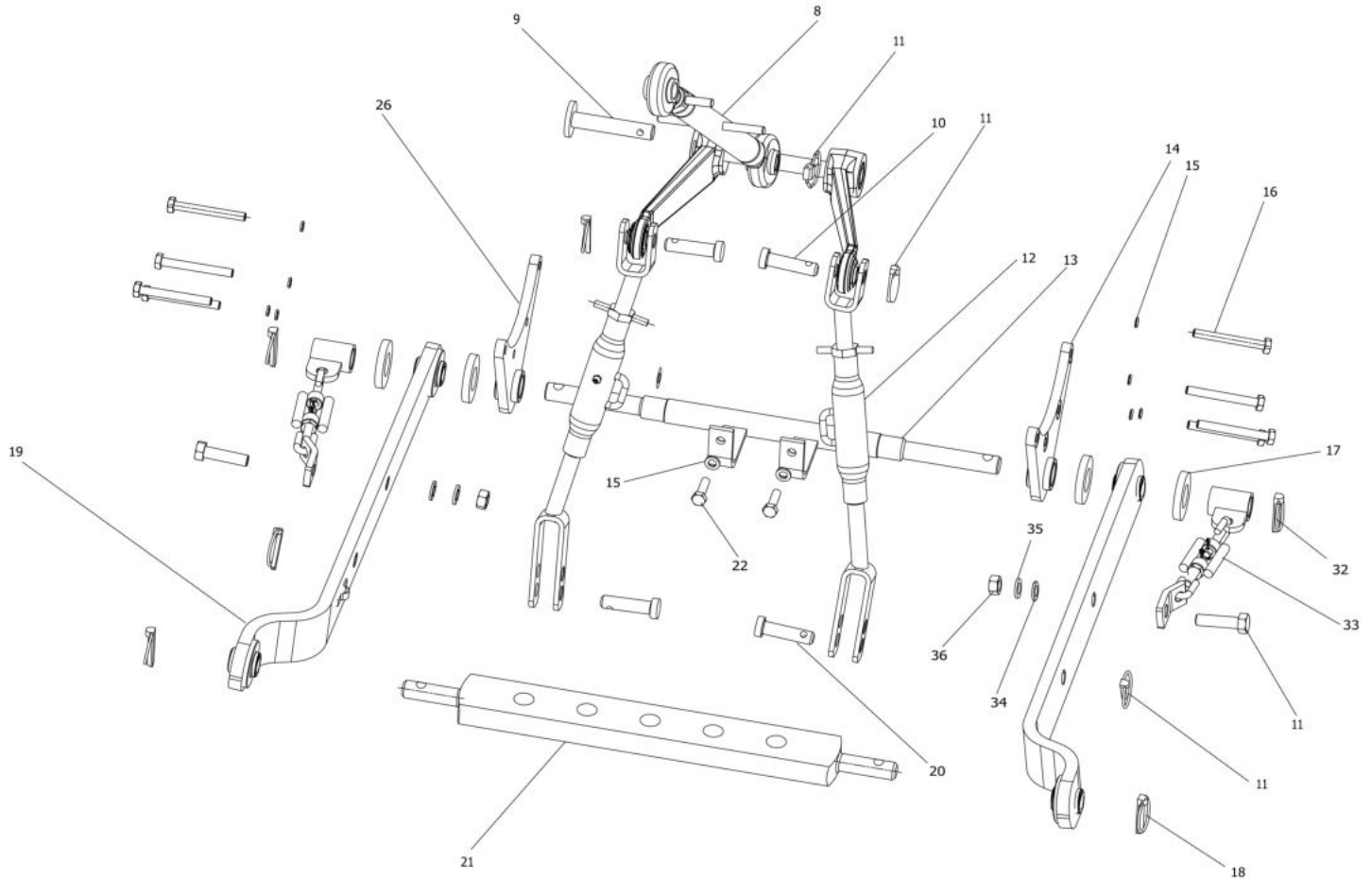


Sr.	Model	Item Code	Description	Qty	Int.	Remarks	Cut Off
1	SOLIS 26(EU,GERMANY, BRAZIL,POLAND)	10054649AA	SHAFT LOWER LINK	1			
1	SOLIS-26 EXPORT MODELS	10054649AB	SHAFT LOWER LINK	1	YES	INTERCHANGEABLE WITH 1005553AB (ROHS)	MEMGMGSF553036G
1	SOLIS-26 EXPORT MODELS	1005553AB	SHAFT LOWER LINK	1		(ROHS) INTERCHANGEABLE WITH 10054649AB	
2	SOLIS-26(CZECH REPUBLIC)	10054650AA	SHAFT LOWER LINK	1			
2	SOLIS-26(CZECH REPUBLIC)	10054650AB	SHAFT LOWER LINK	1	YES	INTERCHANGEABLE WITH 1005554AC (ROHS)	MEMBMKSF541727G26
2	SOLIS-26 MODELS WITH SWINGING DRAW BAR OPTION	10054650AB	SHAFT LOWER LINK	1		INTERCHANGEABLE WITH 10054650AA	MEMGMGSF554104G

Sr.	Model	Item Code	Description	Qty	Int.	Remarks	Cut Off
2	SOLIS-26(CZECH REPUBLIC)	10055554AC	Shaft Lower Link	1		(ROHS) INTERCHANGEABLE WITH 10054650AB	
4	SOLIS-26,SONALIKA-26	10054336BA	BUSH PLATE ASSY RH	1			
5	SOLIS-26,SONALIKA-26	10054335BA	BUSH PLATE ASSY LH	1			
6	SOLIS-26,SONALIKA-26	10054560AA	ADDITIONAL SUPPORT FOR LOWER LINK MOUNT!	2			
7	SOLIS-26,SONALIKA-26	20003286AB	HEX SCREW M8X1.25X35 8-8 SA2JS	8			
8	SOLIS-26,SONALIKA-26	04030400008	SPRING WASHER B-8	8		INTERCHANGEABLE WITH 20005517AA (ROHS)	
8	SOLIS-26,SONALIKA-26	20005517AA	SPRING WASHER B-8 TYPE A IS: 3067-1972	8	YES	(ROHS) INTERCHANGEABLE WITH 04030400008	
9	SOLIS-26,SONALIKA-26	04030800008	M/CD WASHER DIA 8.4 *DIA 17*1.6	8			
10	SOLIS-26,SONALIKA-26	10054334AB	ADJUSTABLE ANCHOR CHAIN ASSY	2		INTERCHANGEABLE WITH 10055551AB (ROHS)	
10A	SOLIS-26,SONALIKA-26	300010577B	ADJUSTABLE ANCHOR CHAIN ASSY	2	YES		FOR NON EU MODELS- LMKSG805886G 26, FOR EU MODELS- MEMRMKSNLJ H03668
10	SOLIS-26,SONALIKA-26	10055551AB	ADJUSTABLE ANCHOR CHAIN ASSY	2		(ROHS) INTERCHANGEABLE WITH 10054334AB	

21120A-1/1

THREE POINT LINKAGES WITH ADJUSTABLE LIFT ROD'S



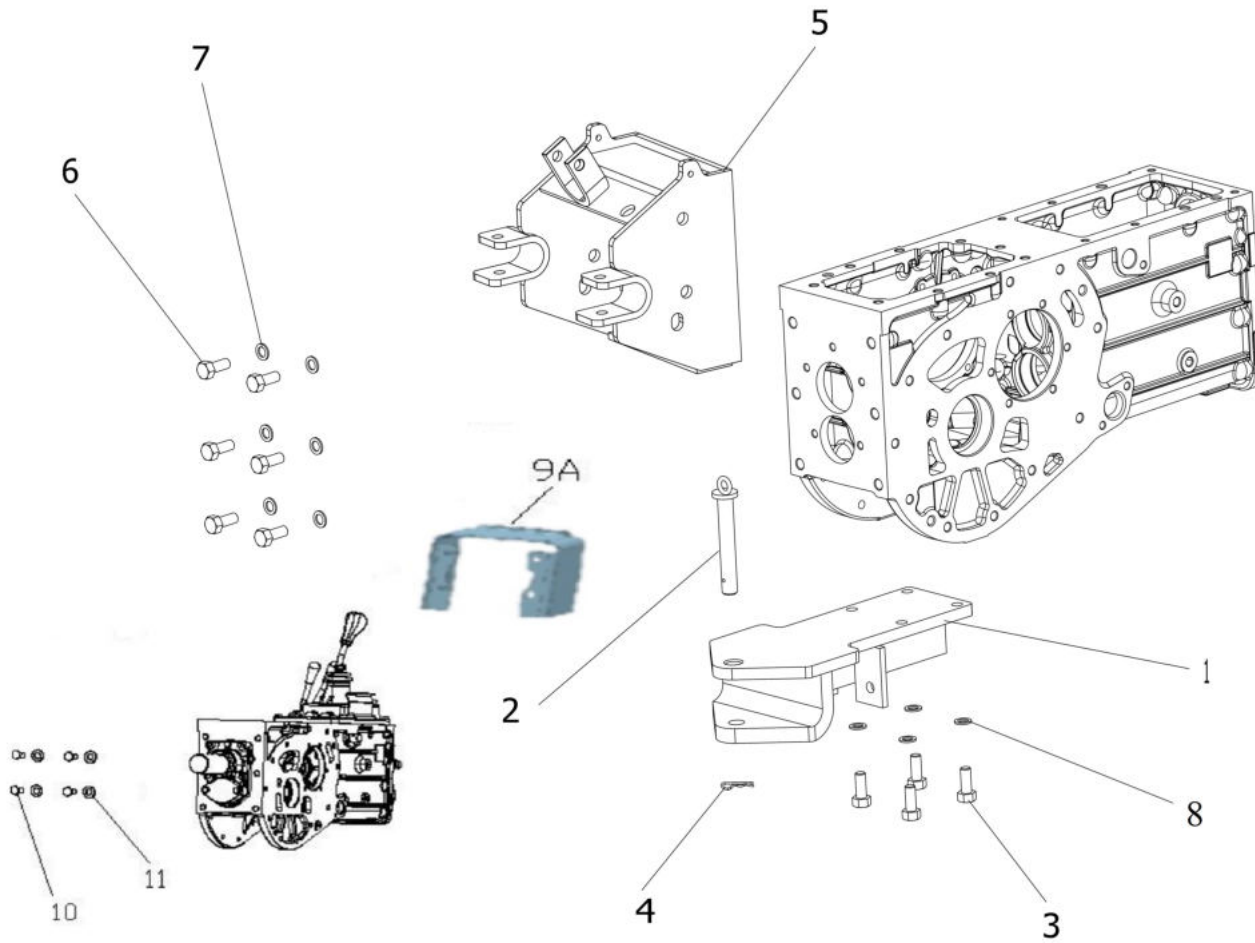
Sr.	Model	Item Code	Description	Qty	Int.	Remarks	Cut Off
8	SOLIS-26,SONALIKA-26	10051213AA	TOP LINK ASSY	1		INTERCHANGEABLE WITH 300025225A (ROHS)	
8	SOLIS-26,SONALIKA-26	300025225A	TOP LINK ASSY	1	YES	(ROHS) INTERCHANGEABLE WITH 10051213AA	
9	SOLIS-26,SONALIKA-26	10053509AA	PIN FOR TOP LINK	1			
9	SOLIS-26,SONALIKA-26	10053509AC	PIN FOR TOP LINK	1		INTERCHANGEABLE WITH 10057679AA (ROHS)	
9	SOLIS-26,SONALIKA-26	10057679AA	PIN FOR TOP LINK	1		(ROHS) INTERCHANGEABLE WITH	

Sr.	Model	Item Code	Description	Qty	Int.	Remarks	Cut Off
						10053509AC	
10	SOLIS-26,SONALIKA-26	10051208AA	PIN (3 POINT LINKAGE)	2			
10	SOLIS-26,SONALIKA-26	10054339AA	LIFT ARM PIN	2		INTERCHANGEABLE WITH 10057687AA (ROHS)	
10	SOLIS-26,SONALIKA-26	10057687AA	PIN (3 POINT LINK)	2	YES	(ROHS) INTERCHANGEABLE WITH 10054339AA	
11	SOLIS-26,SONALIKA-26	10080109AB	LINCH PIN ASSY.(Ø7)	6		INTERCHANGEABLE WITH 10087923AA (ROHS)	
11	SOLIS-26,SONALIKA-26	10087923AA	LINCH PIN ASSY.(Ø7)	6	YES	(ROHS) INTERCHANGEABLE WITH 10080109AB	
12	SOLIS-26,SONALIKA-26	10053841AA	ADJUSTABLE LIFT ROD ASSY	2			
12	SOLIS-26,SONALIKA-26	10053841AE	ADJUSTABLE LIFT ROD ASSY	2			
12	SONALIKA-26 FACELIFT	10053841AF	ADJUSTABLE LIFT ROD ASSY	2			
13	SOLIS-26,SONALIKA-26	10051261BB	SHAFT LOWER LINK ASSY	1			
13	SONALIKA-26 FACELIFT	10054649AB	SHAFT LOWER LINK	1			
14	SOLIS-26,SONALIKA-26	10051218AB	BUSH PLATE ASSY (RIGHT)	1			
14	SONALIKA-26 FACELIFT	10054336BA	BUSH PLATE ASSY RH	1			
15	SOLIS-26,SONALIKA-26	04030400010	SPRING WASHER B-10	10			
16	SOLIS-26,SONALIKA-26	20003223AA	HEX BOLT M10*1.5*90 8-8 SA3NS	8			
16	SOLIS-26,SONALIKA-26	20003223AB	HEX. BOLT M10*1.5*90	8	YES		BMKSF538711G26
17	SOLIS-26,SONALIKA-26	10051635AA	SPACER FOR LOWER LINK	4		INTERCHANGEABLE WITH 10057675AA (ROHS)	
17	SOLIS-26,SONALIKA-26	10057675AA	SPACER FOR LOWER LINK	4		(ROHS) INTERCHANGEABLE WITH 10051635AA	
18	SOLIS-26,SONALIKA-26	10004900AA	LINCH PIN	4		INTERCHANGEABLE WITH 10004900AB (ROHS)	
18	SOLIS-26,SONALIKA-26	10004900AB	LINCH PIN	4	YES	(ROHS) INTERCHANGEABLE WITH 10004900AA	
19	SOLIS-26,SONALIKA-26	10051212AF	LOWER LINK ASSY	2		INTERCHANGEABLE WITH 10051212AJ (ROHS)	
19	SOLIS-26,SONALIKA-26	10051212AI	LOWER LINK ASSY	2			
19	SOLIS-26,SONALIKA-26	300011311B	LOWER LINK ASSY	2	YES	INTERCHANGEABLE WITH 10051212AI & 10051212AF IN	FOR NON EU MODELS-LMKSG805886G

Sr.	Model	Item Code	Description	Qty	Int.	Remarks	Cut Off
						SOLIS-20	26, FOR EU MODELS- MEMRMKSNLJ H03668
19	SOLIS-26,SONALIKA-26	10051212AJ	LOWER LINK ASSY	2		(ROHS) INTERCHANGEABLE WITH 10051212AF	
20	SOLIS-26,SONALIKA-26	10051208AA	PIN (3 POINT LINKAGE)	2			
20	SOLIS-26,SONALIKA-26	10054533AA	PIN (3 POINT LINKAGE)	2			
20	SONALIKA-26 FACELIFT	10056928AA	PIN (3 POINT LINK)	2			
21	SOLIS-26,SONALIKA-26	10051214AB	DRAW BAR	1			
22	SOLIS-26,SONALIKA-26	20002016AB	HEX. HEAD SCREW M10 X 1.5 X 30 8-8 SA2JS	2			
26	SOLIS-26,SONALIKA-26	10051217AB	BUSH PLATE ASSY(LEFT)	1			
26	SONALIKA-26 FACELIFT	10054335BA	BUSH PLATE ASSY LH	1			
32	SOLIS-26,SONALIKA-26	10052349AB	ADJUSTABLE ANCHOR CHAIN	2			
32	SONALIKA-26 FACELIFT	300010577B	ADJUSTABLE ANCHOR CHAIN ASSY	2			
33	SOLIS-26,SONALIKA-26	20003788AA	HEX BOLT M14 X 2 X 50 SA2JS	2		INTERCHANGEABLE WITH 20005495AA (ROHS)	
33	SOLIS-26,SONALIKA-26	20005495AA	HEX BOLT M14X2X50 SA4GS	2	YES	(ROHS) INTERCHANGEABLE WITH 20003788AA	
34	SOLIS-26,SONALIKA-26	20004304AA	PUNCHED WASHER A14 IS:2016	2		INTERCHANGEABLE WITH 20005512AA (ROHS)	
34	SOLIS-26,SONALIKA-26	20005512AA	PUNCHED WASHER A14 IS:2016	2		(ROHS) INTERCHANGEABLE WITH 20004304AA	
35	SOLIS-26,SONALIKA-26	04030400014	SPRING WASHER B-14	2		INTERCHANGEABLE WITH 20005520AA (ROHS)	
35	SOLIS-26,SONALIKA-26	20005520AA	SPRING WASHER B-14 TYPE A IS: 3067-1972	2		(ROHS) INTERCHANGEABLE WITH 04030400014	
36	SOLIS-26,SONALIKA-26	20003361AA	HEX NUT M14X2 -8 SA3NS	2			
36	SOLIS-26,SONALIKA-26	20004532AA	HEX NUT M14X2 -8 SA2JS	2		INTERCHANGEABLE WITH 20005505AA (ROHS)	
36	SOLIS-26,SONALIKA-26	20005505AA	HEX NUT M14X2 -8 SA4GS	2		(ROHS) INTERCHANGEABLE WITH 20004532AA	

21130A-1/1

CLEVIS TYPE HITCH (E-MARK)

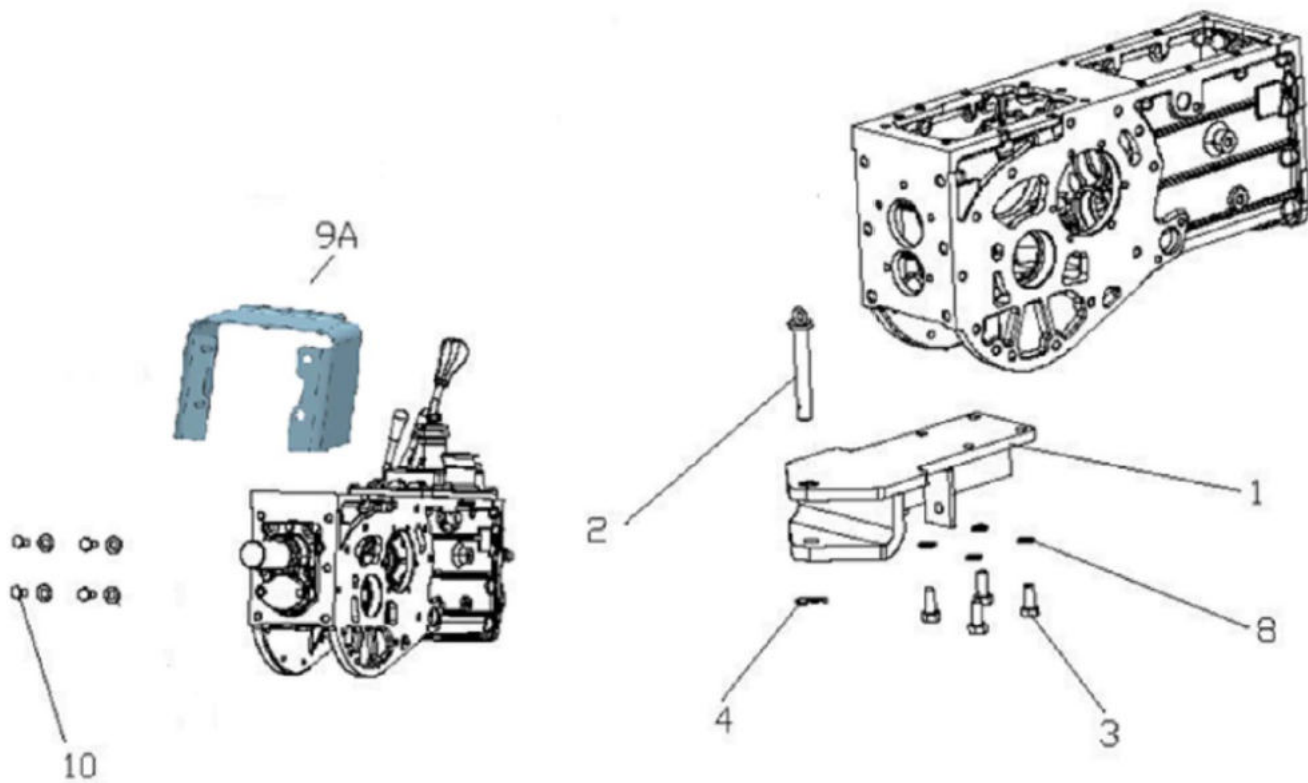


Sr.	Model	Item Code	Description	Qty	Int.	Remarks	Cut Off
1	SOLIS-26,SONALIKA-26	10053618AB	CLEVIS TYPE HITCH (E-MARK)	1			
2	SOLIS-26,SONALIKA-26	10053645AA	PIN	1		INTERCHANGEABLE WITH 10055144AB (ROHS)	
2	SOLIS-26,SONALIKA-26	10055144AB	PIN	1	YES	(ROHS) INTERCHANGEABLE WITH 10053645AA	
3	SOLIS-26,SONALIKA-26	20003243AB	HEX SCREW M12*1.75*30	4		INTERCHANGEABLE WITH 200000502A (ROHS)	
3	SOLIS-26,SONALIKA-26	200000502A	HEX SCREW M12X1.75X30 8.8 SA4GS	4	YES	(ROHS) INTERCHANGEABLE WITH	

Sr.	Model	Item Code	Description	Qty	Int.	Remarks	Cut Off
						20003243AB	
4	SOLIS-26,SONALIKA-26	10070820AA	BETA PIN DIA 3 BN 915	1		INTERCHANGEABLE WITH 10087902AA (ROHS)	
4	SOLIS-26,SONALIKA-26	10087902AA	BEATA PIN	1	YES	(ROHS) INTERCHANGEABLE WITH 10070820AA	
5	SOLIS-26,SONALIKA-26	10052870BB	MTG BKT FOR REAR TOE HOOK	1		DELETED (NOW PTO COVER ADDED)	
6	SOLIS-26,SONALIKA-26	20002021AA	HEX HEAD SCREW M12 X1.75X25 10.9 SA2JS	6			
6	SOLIS-26,SONALIKA-26	20002021AC	HEX. HEAD SCREW M12X1.75X25	6	YES	INTERCHANGEABLE WITH 20005682AA (ROHS)	BMGSF536902G
6	SOLIS-26,SONALIKA-26	20005682AA	HEX SCREW M12X1.75X25 -10.9 SA4GS	6		(ROHS) INTERCHANGEABLE WITH 20002021AC	
7	SOLIS-26,SONALIKA-26	04030400012	SPRING WASHER B-12	6			
8	SOLIS-26,SONALIKA-26	04030400012	SPRING WASHER B-12	4			
9A	SOLIS-26 EXCEPT FACELIFT,SONALIKA-26	10053955AA	PTO COVER FOR GT 26	1			
9A	SOLIS-24 WITH ELECTRONIC GOVERNOR	10054289AA	P.T.O. COVER	1			
9B	SOLIS-24 WITH ELECTRONIC GOVERNOR	10054289AB	P.T.O. COVER	1	YES		MEMG412H3TH WS2027
9A	SOLIS-26 FACELIFT	300022074A	PTO COVER FOR GT 26	1			
10	SOLIS-26,SONALIKA-26	20002021AA	HEX HEAD SCREW M12 X1.75X25 10.9 SA2JS	2			
10	SOLIS-26,SONALIKA-26	20002021AC	HEX. HEAD SCREW M12X1.75X25	2	YES	INTERCHANGEABLE WITH 20005682AA (ROHS)	BMGSF536902G
10	SOLIS-26,SONALIKA-26	20005682AA	HEX SCREW M12X1.75X25 -10.9 SA4GS	2		(ROHS) INTERCHANGEABLE WITH 20002021AC	
11	SOLIS-26,SONALIKA-26	04030400012	SPRING WASHER B-12	2			

21131A-1/1

CLEVIS TYPE HITCH (E-MARK)

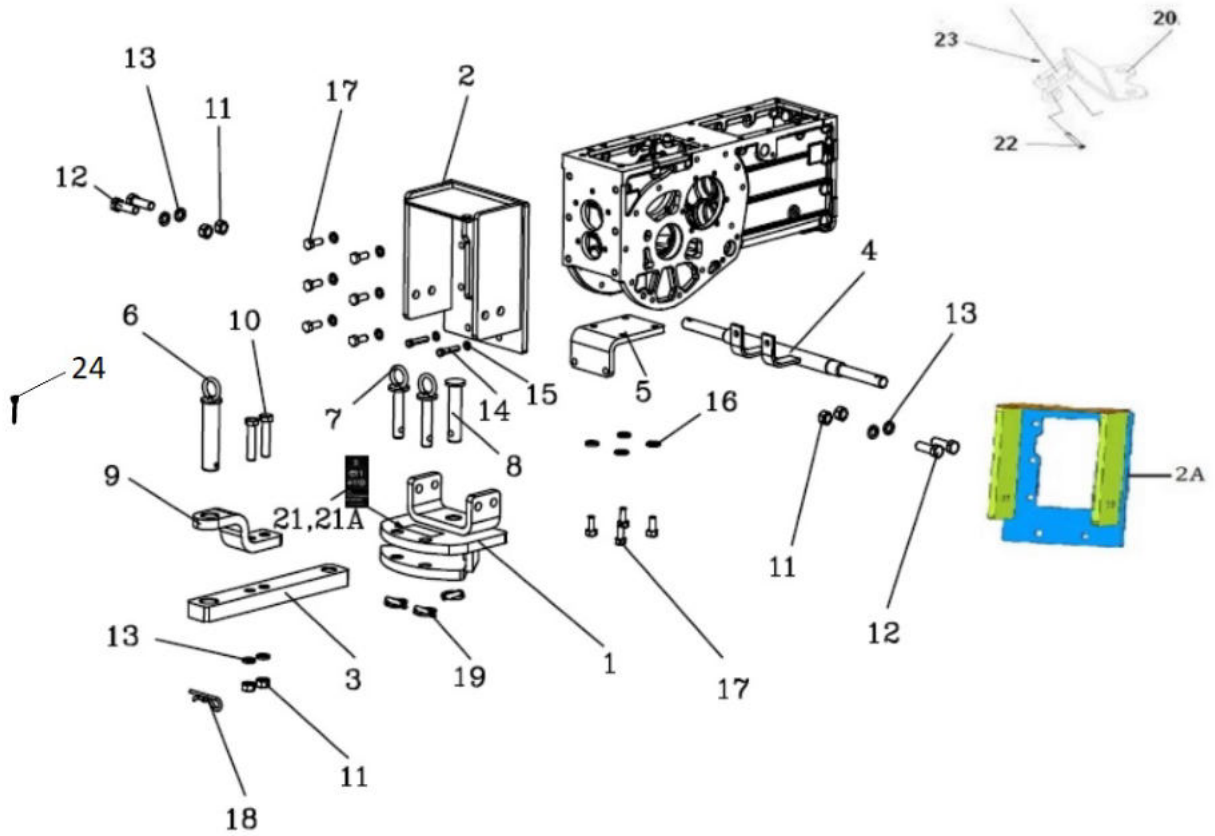


Sr.	Model	Item Code	Description	Qty	Int.	Remarks	Cut Off
1	ALL MODELS	10053618AB	CLEVIS TYPE HITCH (E-MARK)	1			
2	ALL MODELS	10055144AB	PIN	1			
3	ALL MODELS	20003243AB	HEX SCREW M12*1.75*30	4		INTERCHANGEABLE WITH 200000502A (ROHS)	
3	ALL MODELS	200000502A	HEX SCREW M12X1.75X30 8.8 SA4GS	4	YES	(ROHS) INTERCHANGEABLE WITH 20003243AB	
4	ALL MODELS	10087902AA	BETA PIN DIA 3 BN 915	1			
8	ALL MODELS	20004993AB	SPRING WASHER B-12TYPE-A IS: 3063-1972	4			

Sr.	Model	Item Code	Description	Qty	Int.	Remarks	Cut Off
9A	ALL MODELS	300022074A	PTO COVER FOR GT 26	1			
10	ALL MODELS	20005682AA	HEX HEAD SCREW M12X1.75-25 10.9 SA4GS	2			

21140A-1/1

SWINGING DRAW BAR

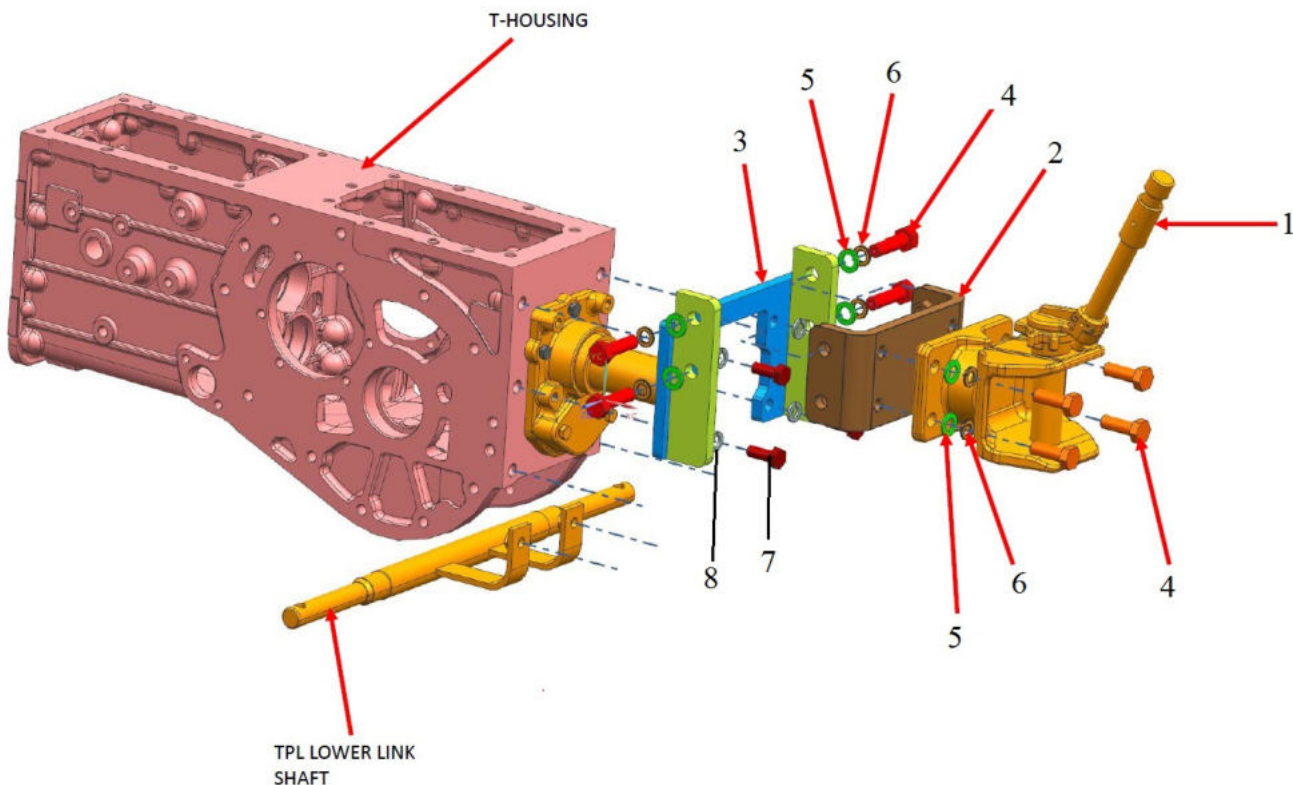


Sr.	Model	Item Code	Description	Qty	Int.	Remarks	Cut Off
1	SOLIS-26	10054148AA	SWINGING DRAW BAR	1			
2	SOLIS-26 EXCEPT FACELIFT	10054147AA	TOE HOOK MTG BKT	1			
2A	SOLIS-26 FACELIFT	300026159A	TOE HOOK MTG BKT	1			
3	SOLIS-26	10054149AA	SWINGING BAR	1			
4	SOLIS-26	10054650AB	SHAFT LOWER LINK	1		INTERCHANGEABLE WITH 1005554AC (ROHS)	
4	SOLIS-26	1005554AC	Shaft Lower Link	1		(ROHS) INTERCHANGEABLE WITH 10054650AB	
5	SOLIS-26	10054150AA	SUPPORTING BACK PLATE	1			

Sr.	Model	Item Code	Description	Qty	Int.	Remarks	Cut Off
6	SOLIS-26	10054151AA	PIN(DIA32.5)	1		INTERCHANGEABLE WITH 10057669AA (ROHS)	
6	SOLIS-26	10057669AA	PIN	1		(ROHS) INTERCHANGEABLE WITH 10054151AA	
7	SOLIS-26	10054152AA	PIN(DIA19.5)	2		INTERCHANGEABLE WITH 10057670AA (ROHS)	
7	SOLIS-26	10057670AA	PIN	2		(ROHS) INTERCHANGEABLE WITH 10054152AA	
8	SOLIS-26	10054153AA	PIN(DIA25.5)	1		INTERCHANGEABLE WITH 300028106B (ROHS)	
8	SOLIS-26	300028106B	FRONT TOE PIN	1	YES	(ROHS) INTERCHANGEABLE WITH 10054153AA	
9	SOLIS-26	10029055AA	TOP SUPPORT DRAW BAR	1			
10	SOLIS-26	20004193AA	HEX BOLT M16X2X75 10.9 SA3NS	2			
11	SOLIS-26	20003362AC	HEX NUT M16X2 -8 SA2JS	6		INTERCHANGEABLE WITH 20003719AB (ROHS)	
11	SOLIS-26	20003719AB	HEX NUT M16X2 - 8, SA2GS	6	YES	(ROHS) INTERCHANGEABLE WITH 20003362AC	
12	SOLIS-26	04040116050	HEX BOLT M16*2*50	4			
13	SOLIS-26	04030400016	SPRING WASHER B-16	6		INTERCHANGEABLE WITH 20004994AB (ROHS)	
13	SOLIS-26	20004994AB	SPRING WASHER B-16 TYPE-A IS: 3063-1972	6	YES	(ROHS) INTERCHANGEABLE WITH 04030400016	
14	SOLIS-26	20002016AB	HEX. HEAD SCREW M10 X 1.5 X 30 8-8 SA2JS	2			
15	SOLIS-26	04030400010	SPRING WASHER B-10	2			
16	SOLIS-26	04030400012	SPRING WASHER B-12	10			
17	SOLIS-26	20003243AB	Hex screw M12x1.75x30 8-8 SA3NS	10		INTERCHANGEABLE WITH 200000502A (ROHS)	
17	SOLIS-26	200000502A	HEX SCREW M12X1.75X30 8.8 SA4GS	10	YES	(ROHS) INTERCHANGEABLE WITH 20003243AB	
18	SOLIS-26	20004468AA	BETA PIN	1		INTERCHANGEABLE WITH 10039237AA (ROHS)	
18	SOLIS-26	10039237AA	BETA PIN DIA 6	1	YES	(ROHS) INTERCHANGE	

Sr.	Model	Item Code	Description	Qty	Int.	Remarks	Cut Off
						ABLE WITH 20004468AA	
19	SOLIS-26	10004900AA	LINCH PIN	3		INTERCHANGE ABLE WITH 10004900AB (ROHS)	
19	SOLIS-26	10004900AB	LINCH PIN	3	YES	(ROHS) INTERCHANGE ABLE WITH 10004900AA	
20	SOLIS-26	10056463AA	TOP-LINK HOLDER BKT	1			
21	SOLIS-26 EXCEPT FACELIFT	10054357AA	SWINGING DRAW BAR (E-MARK STICKER)	1		INTERCHANGE ABLE WITH 10054357AB (ROHS)	
21A	SOLIS-26 FACELIFT	300012572A	STICKER FOR SWINGING DRAWBAR SOLIS-26	1		INTERCHANGE ABLE WITH 300108109A (ROHS)	
21	SOLIS-26 EXCEPT FACELIFT	10054357AB	SWINGING DRAW BAR (E-MARK STICKER)	1		(ROHS) INTERCHANGE ABLE WITH 10054357AA	
21A	SOLIS-26 FACELIFT	300108109A	STICKER FOR SWINGING DRAWBAR	1		(ROHS) INTERCHANGE ABLE WITH 300012572A	
21A	SOLIS-26 FACELIFT EUROP	300108109A	STICKER FOR SWINGING DRAWBAR	1	YES	FOR STAGE V ENGINE	MEMRMKSNSB KH03782
22	SOLIS-26	10051270AA	BUSH PIN FOR REAR TOE HOOK	1		INTERCHANGE ABLE WITH 10057672AA (ROHS)	
22	SOLIS-26	10057672AA	PIN FOR BUSH FOR ACCLERATOR	1	YES	(ROHS) INTERCHANGE ABLE WITH 10051270AA	
23	SOLIS-26	20002461AA	BEATA PIN	1		INTERCHANGE ABLE WITH 10087903AA (ROHS)	
23	SOLIS-26	10087903AA	BEATA PIN	1	YES	(ROHS) INTERCHANGE ABLE WITH 20002461AA	
24	GT-26	10071690AA	PROTECTION PLUG FOR M8	4		New Part Added	FOR NON EU MODELS- CZGDG804365S 3, FOR EU MODELS- MEMRZGFNECJ H03456

CLEVIS TRAILER HITCH ASSY

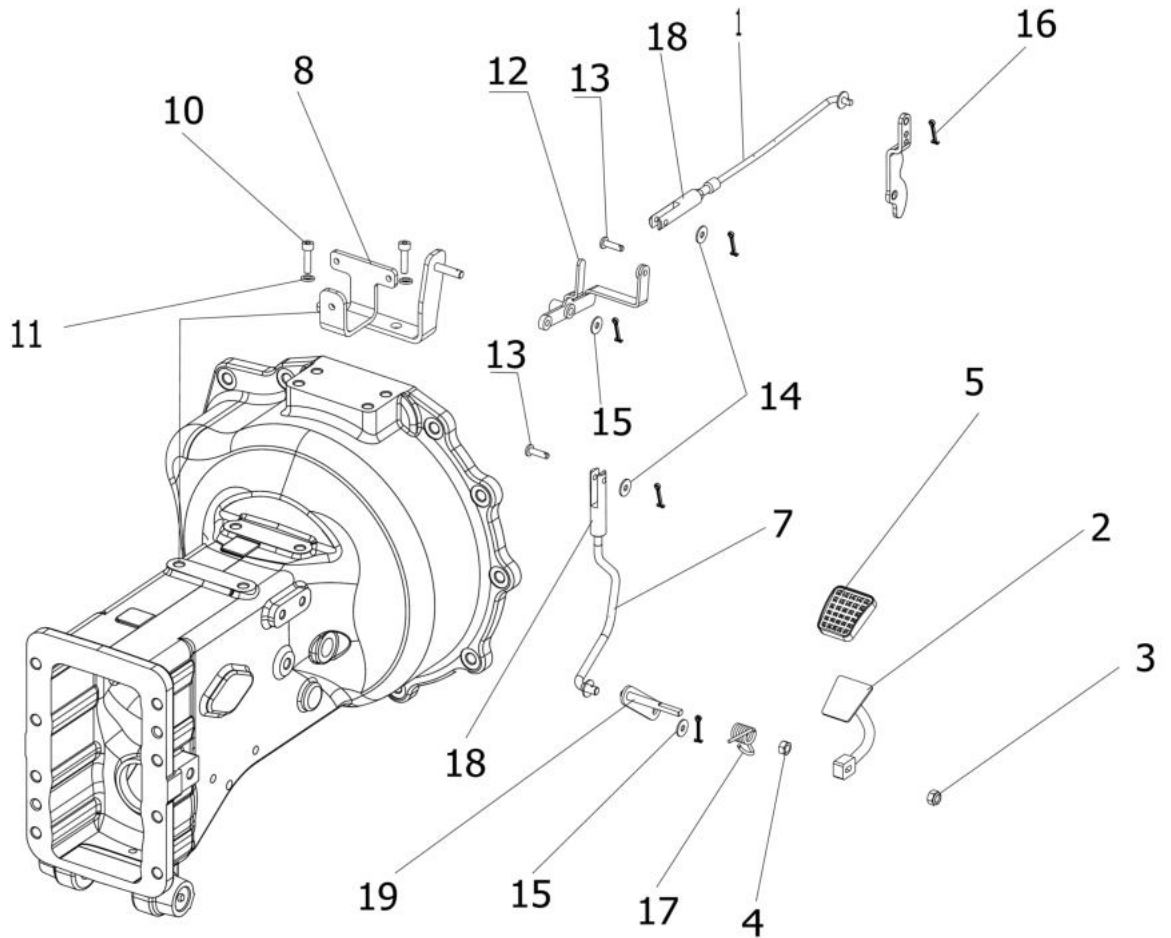


Sr.	Model	Item Code	Description	Qty	Int.	Remarks	Cut Off
1	SOLIS-26	300005471B	CLEVIS TRAILER HITCH	1			
2	SOLIS-26	300011392A	CLEVIS TRAILER HITCH MTG BKT ASSY	1			
3	SOLIS-26	300011401A	MTG BKT FOR CLEVIS TRAILER HITCH	1			
4	SOLIS-26	04041114040	HEX SCREW M14*40	8			
5	SOLIS-26	20004304AA	PUNCHED WASHER A14 IS:2016	8		INTERCHANGEABLE WITH 20005512AA (ROHS)	
5	SOLIS-26	20005512AA	PUNCHED WASHER A14 IS:2016	8		(ROHS) INTERCHANGEABLE WITH 20004304AA	

Sr.	Model	Item Code	Description	Qty	Int.	Remarks	Cut Off
6	SOLIS-26	04030400014	SPRING WASHER B-14	8		INTERCHANGEABLE WITH 20005520AA (ROHS)	
6	SOLIS-26	20005520AA	SPRING WASHER B-14 TYPE A IS: 3067-1972	8		(ROHS) INTERCHANGEABLE WITH 04030400014	
7	SOLIS-26	20003243AB	HEX SCREW M12X1.75X30	4		INTERCHANGEABLE WITH 200000502A (ROHS)	
7	SOLIS-26	200000502A	HEX SCREW M12X1.75X30 8.8 SA4GS	4	YES	(ROHS) INTERCHANGEABLE WITH 20003243AB	
8	SOLIS-26	04030400012	SPRING WASHER B-12	4			

22110A-1/1

FOOT ACCELERATOR & LINKAGES ASSY.



Sr.	Model	Item Code	Description	Qty	Int.	Remarks	Cut Off
1	SOLIS-26,SONALIKA-26	10053400AA	ASSY ACCELERATOR LINK FRONT	1			
1	SOLIS-26,SONALIKA-26, SOLIS-24	10053400AB	ASSY ACCELERATOR LINK FRONT	1			
1	SOLIS-24	10055101AA	BRACKET ASSY FOR ECU	1			
2	SOLIS-26,SONALIKA-26, SOLIS-24	10053353AE	FOOT THROTTLE ASSY	1	YES		KMKSF597710G 26D
2	SOLIS-26,SONALIKA-26	10053353AC	FOOT THROTTLE ASSY	1		INTERCHANGE ABLE WITH 10053353AD (ROHS)	
2	SOLIS-26,SONALIKA-26	10053353AD	FOOT THROTTLE ASSY	1	YES		MEMGMKSF554 589G26
2	SOLIS-26,SONALIKA-26	10053353AD	FOOT THROTTLE ASSY	1		(ROHS) INTERCHANGE ABLE WITH	

Sr.	Model	Item Code	Description	Qty	Int.	Remarks	Cut Off
						10053353AC	
3	SOLIS-26,SONALIKA-26	04041000008	HEX NYLOCK NUT M8*1.25	1		INTERCHANGEABLE WITH 20004917AB (ROHS)	
3	SOLIS-24	20004917AA	HEX NYLOC NUT M8*1.25 8 SA4JS	1			
3	SOLIS-26,SONALIKA-26	20004917AB	HEX NYLOC NUT M8*1.25 8	1		(ROHS) INTERCHANGEABLE WITH 04041000008	
4	SOLIS-26,SONALIKA-26	20003355AB	HEX NUT M8X1.25 -8 SA2JS	1			
4	SOLIS-24	20003355AD	HEX NUT M8X1.25 -8 SA4JS	1		INTERCHANGEABLE WITH 200000391A (ROHS)	
4	SOLIS-24	200000391A	HEX NUT M18X1.25 -8 SA4NS	1		(ROHS) INTERCHANGEABLE WITH 20003355AD	
5	SOLIS-26,SONALIKA-26	10053714AA	RUBBER PAD (FOOT THROTTLE)	1		INTERCHANGEABLE WITH 10053714AC (ROHS)	
5	SOLIS-24	10053714AC	RUBBER PAD (FOOT THROTTLE)	1			
5	SOLIS-26,SONALIKA-26	10053714AC	RUBBER PAD (FOOT THROTTLE)	1		(ROHS) INTERCHANGEABLE WITH 10053714AA	
7	SOLIS-26,SONALIKA-26	10053343AC	PUSH ROD ASSY FOOT THROTTLE TO MIDDLE LI	1		INTERCHANGEABLE WITH 10053343AD (ROHS)	
7	SOLIS-24	10053343AD	PUSH ROD ASSY FOOT THROTTLE TO MIDDLE LI	1			
7	SOLIS-26,SONALIKA-26	10053343AD	PUSH ROD ASSY FOOT THROTTLE TO MIDDLE LI	1		(ROHS) INTERCHANGEABLE WITH 10053343AC	
8	SOLIS-26,SONALIKA-26	10053397AC	MTG. BKT. FOR ACTUATOR LINK	1			
8	SOLIS-26,SONALIKA-26	10053397AD	MTG. BKT. FOR ACTUATOR LINK	1		INTERCHANGEABLE WITH 10053397AF (ROHS)	
8	SOLIS-24	10053397AE	MTG. BKT. FOR ACTUATOR LINK	1			
8	SOLIS-26,SONALIKA-26	10053397AF	MTG. BKT. FOR ACTUATOR LINK	1		(ROHS) INTERCHANGEABLE WITH 10053397AD	
10	SOLIS-26,SONALIKA-26	04040308025	HEX SOCKET HEAD CAP SCREW M8*25	2			
10	SOLIS-24	20005001AA	HEX SOCKET HEAD CAP SCREW M8*25	2			
11	SOLIS-26,SONALIKA-26	04030400008	SPRING WASHER B-8	2		INTERCHANGEABLE WITH 20005517AA (ROHS)	
11	SOLIS-24	20003670AC	SPRING WASHER B-8 TYPE-A IS: 3063-1972	2			
11	SOLIS-24 EPA	20005517AA	SPRING WASHER B-8 TYPE-A IS: 3063-1972	2			

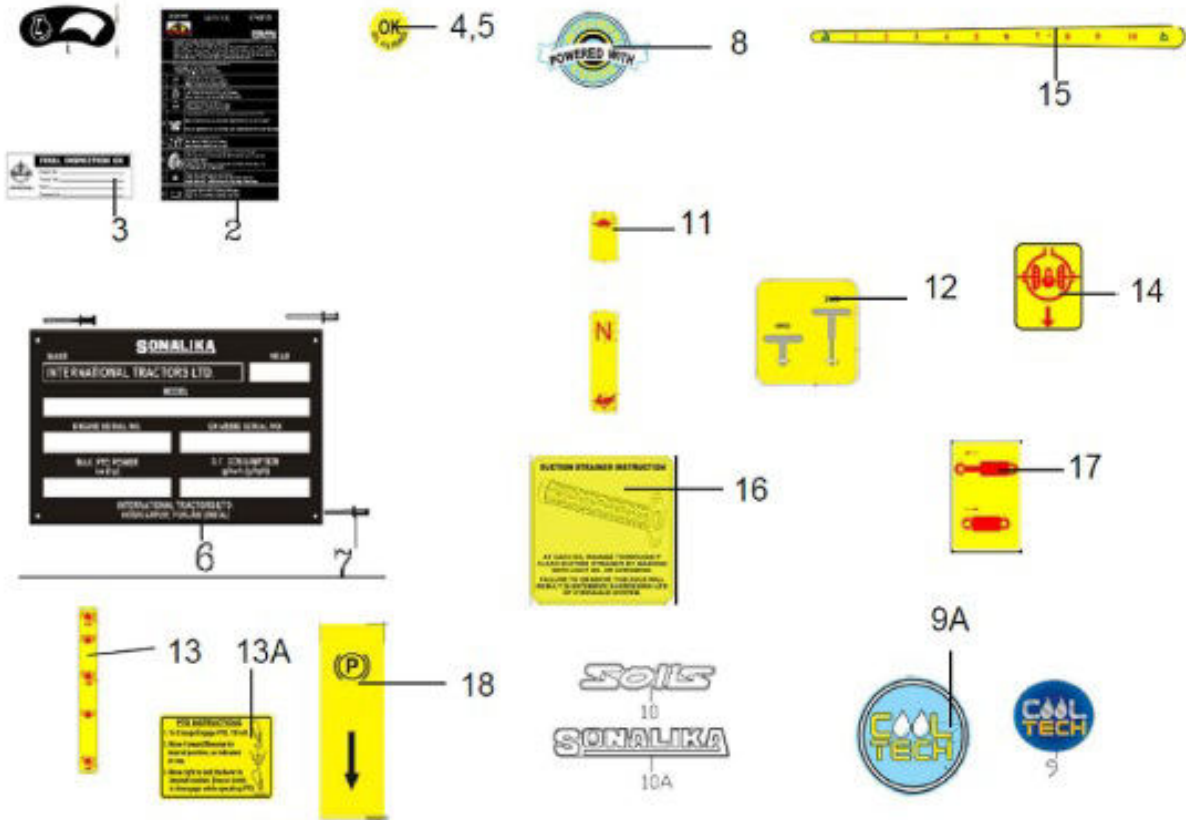
Sr.	Model	Item Code	Description	Qty	Int.	Remarks	Cut Off
11	SOLIS-26,SONALIKA-26	20005517AA	SPRING WASHER B-8 TYPE A IS: 3067-1972	2	YES	(ROHS) INTERCHANGE ABLE WITH 04030400008	
12	SOLIS-26,SONALIKA-26	10052500AA	ACCELERATOR ACTUATING BRKT 24HP	1			
12	SOLIS-24	10055100AA	ACCELERATOR ACTUATING BRACKET GT-26	1			
12	SOLIS-24 WITH ELECTRONIC GOVERNOR	10055100AB	ACCELERATOR ACTUATING BRACKET GT-26	1			
12	SOLIS-24 WITH ELECTRONIC GOVERNOR	10055100AC	ACCELERATOR ACTUATING BRACKET GT-26	1	YES		MEMG412H3TH WS2027
13	SOLIS-26,SONALIKA-26	10004164AB	PIN FOR ACCELATOR DIA 6X20	2		INTERCHANGE ABLE WITH 300031308A (ROHS)	
13	SOLIS-24	10004164AB	PIN FOR ACCELATOR DIA 6X20	2		INTERCHANGE ABLE WITH 300031308A (ROHS)	
13	SOLIS-26,SONALIKA-26	300031308A	PIN FOR ACCELATOR	2		(ROHS) INTERCHANGE ABLE WITH 10004164AB	
13	SOLIS-24	300031308A	PIN FOR ACCELATOR	2		(ROHS) INTERCHANGE ABLE WITH 10004164AB	
14	SOLIS-26,SONALIKA-26	04030600006	PLAIN WASHER DIA 6.4 *DIA 18 *1.5	2			
14	SOLIS-24	20003389AB	PLAIN WASHER A 6.4 IS:5370 STEEL	2			
14	SOLIS-24 EPA	20005765AA	PLAIN WASHER A 6.4 IS:5370 STEEL	2			
15	SOLIS-26,SONALIKA-26	04030800008	M/CD WASHER DIA 8.4 *DIA 17*1.6	2			
15	SOLIS-24	20003934AB	M/C WASHER B8	2			
16	SOLIS-26,SONALIKA-26	04010116020	SPLIT PIN DIA 1.6*20	5		INTERCHANGE ABLE WITH 20005527AA (ROHS)	
16	SOLIS-24	20003682AB	SPLIT PIN DIA 1.6*20	5			
16	SOLIS-26,SONALIKA-26	20005527AA	SPLIT PIN DIA 1.6*20	5		(ROHS) INTERCHANGE ABLE WITH 04010116020	
17	SOLIS-26,SONALIKA-26	10051248AA	SPRING FOR FOOT THROTTLE	1		INTERCHANGE ABLE WITH 10051248AD (ROHS)	
17	SOLIS-24	10051248AB	SPRING FOR FOOT THROTTLE	1			
17	SOLIS-26,SONALIKA-26	10051248AD	SPRING FOR FOOT THROTTLE	1	YES	(ROHS) INTERCHANGE ABLE WITH 10051248AA	
18	SOLIS-26,SONALIKA-26	10004163AB	FRONT FORK	2			
18	SOLIS-24	10004163AC	FRONT FORK	2		INTERCHANGE ABLE WITH 10057668AA (ROHS)	
18	SOLIS-24	10057668AA	FRONT FORK	2		(ROHS) INTERCHANGE	

Sr.	Model	Item Code	Description	Qty	Int.	Remarks	Cut Off
						ABLE WITH 10004163AC	
19	SOLIS-26,SONALIKA-26	10053750AA	PEDAL ROD ASSY	1			
19	SOLIS-24	10055099AA	PEDAL ROD ASSY	1			

Sr.	Model	Item Code	Description	Qty	Int.	Remarks	Cut Off
10	ALL MODELS	20005524AA	PLAIN WASHER A 6.4 IS:5370 STEEL	1			
11	ALL MODELS	300022661A	FLASHER MTG BKT ASSY	1			
12	ALL MODELS	20005491AA	HEX NUT M6 -8 SA4GS	1			
13	ALL MODELS	300025664A	HAND ACCELERATOR KNOB	1			
14	ALL MODELS	10087870AA	PIN FOR BUSH FOR ACCLERATOR	1			
15	ALL MODELS	20004941AB	M/C WASHER DIA 6.4*DIA 12.4*1.6	1			
16	ALL MODELS	20005527AA	SPLIT PIN DIA 1.6*20	1			
17	ALL MODELS	300022718A	HAND ACC ASSY	1			
18	ALL MODELS	10056157AA	TOP LEVER HAND ACCELERATOR (W/O PAINT)	1			
18	ALL MODELS	10056354AA	TOP LEVER HAND ACCELERATOR (POWDER COATING)	1			

24110A-1/2

VARIOUS STICKERS



Sr.	Model	Item Code	Description	Qty	Int.	Remarks	Cut Off
1	SOLIS-26,SONALIKA-26	10024815AA	STICKER FOR SPEED CONTROL	1		INTERCHANGEABLE WITH 10024815AC (ROHS)	
1	SOLIS-26,SONALIKA-26	10024815AC	STICKER FOR SPEED CONTROL	1		(ROHS) INTERCHANGEABLE WITH 10024815AA	
2	SOLIS-26,SONALIKA-26	10001847AC	STICKER FOR SERVICE (INHOUSE ENGINE)	1		INTERCHANGEABLE WITH 10001847AE (ROHS)	
2	SOLIS-26,SONALIKA-26	10001847AE	STICKER FOR SERVICE (INHOUSE ENGINE)	1		(ROHS) INTERCHANGEABLE WITH 10001847AC	

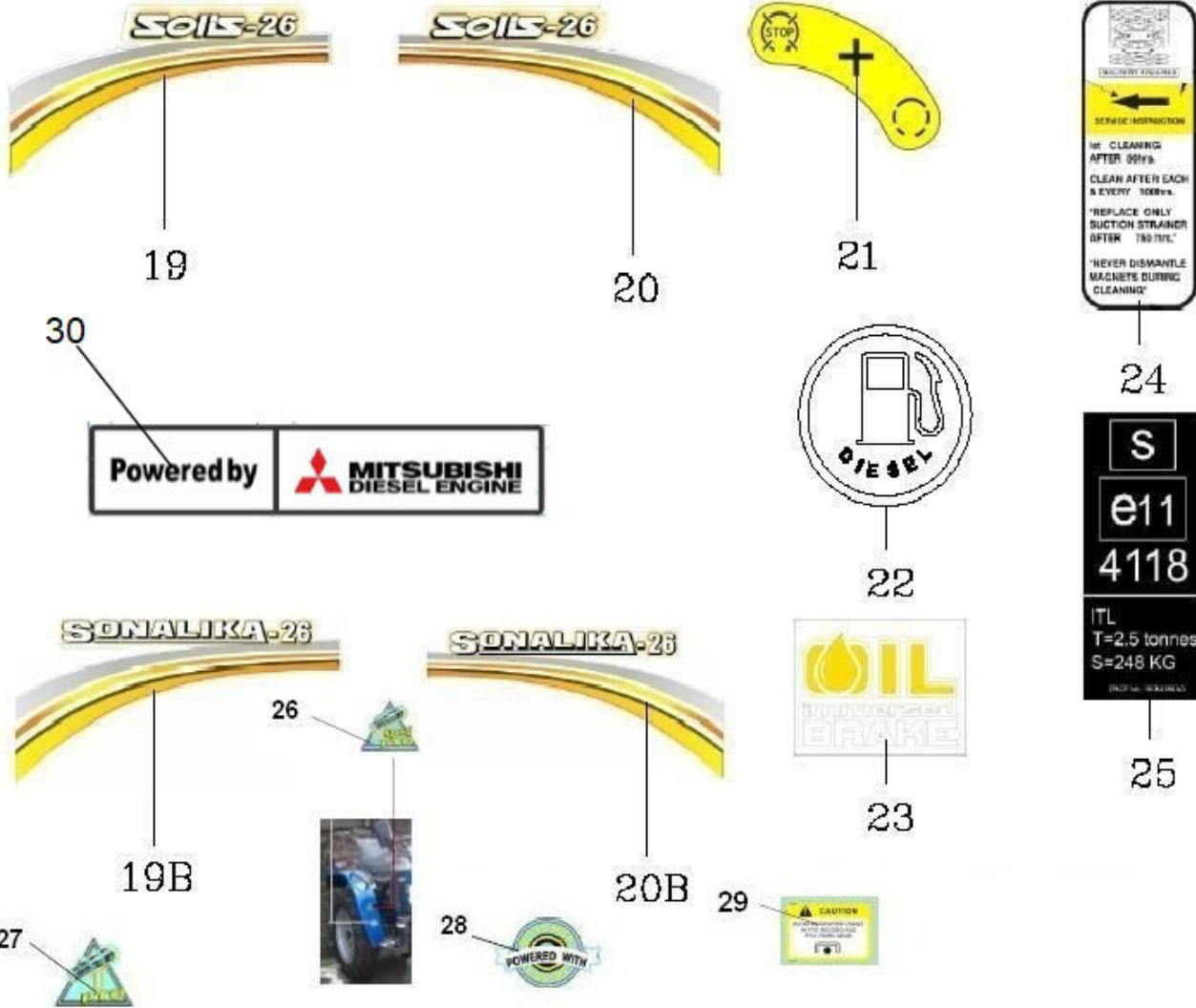
Sr.	Model	Item Code	Description	Qty	Int.	Remarks	Cut Off
3	SOLIS-26,SONALIKA-26	10004729AA	STICKER(FINAL INSPECTION)	2		INTERCHANGEABLE WITH 10004729AB (ROHS)	
3	SOLIS-24	10004729AB	STICKER(FINAL INSPECTION)	2			
3	SOLIS-26,SONALIKA-26	10004729AB	STICKER(FINAL INSPECTION)	2		(ROHS) INTERCHANGEABLE WITH 10004729AA	
4	SOLIS-26,SONALIKA-26	10004899AA	STICKER OK FILTERED (FOR DRAIN PLUG)	1		INTERCHANGEABLE WITH 10004899AB (ROHS)	
4	SOLIS-24	10004899AB	STICKER OK FILTERED (FOR DRAIN PLUG)	1			
4	SOLIS-26,SONALIKA-26	10004899AB	STICKER OK FILTERED (FOR DRAIN PLUG)	1		(ROHS) INTERCHANGEABLE WITH 10004899AA	
5	SOLIS-26,SONALIKA-26	10002428AA	STICKER OK FILTER	1		INTERCHANGEABLE WITH 10002428AB (ROHS)	
5	SOLIS-24	10002428AB	STICKER OK FILTER	1			
5	SOLIS-26,SONALIKA-26	10002428AB	STICKER OK FILTER	1		(ROHS) INTERCHANGEABLE WITH 10002428AA	
6	SOLIS-26	10053124AA	DATA PLATE 0.3THK	1		PASTING PLATE	
6	SONALIKA-26	10054633AA	DATA PLATE	1		PASTING PLATE	
6	SOLIS-26 (ALLEXPORTEMODELSONLYWITHROPS)	10056341AA	DATA PLATE	1	NO		MEMGMKSF554589G26
7	SOLIS-26 (ALL EXPORT MODELS ONLY WITH ROPS)	10000636AA	RIVET DIA 3 (POP)	4		ADDED WITH 10056341AA FROM	MEMGMKSF554589G26
7	SOLIS-26,SONALIKA-26	10000636AA	RIVET DIA 3 (POP)	4		DELETED, ADDED WITH 10056341AA FROM MEMGMKSF554589G26	
8	SOLIS-26,SONALIKA-26	10014072AC	STICKER MITSUBISHI ENGINE	1	YES	STICKER IS DELETED FROM GMGSF552415G	KMGSU526884G
8	SOLIS-26,SONALIKA-26	10052366AA	STICKER FOR POWERED WITH MISTUBUSHI ENG.	1			
9	SOLIS-26,SONALIKA-26	10052365AA	STICKER FOR COOL TECH	1			
9A	SOLIS-26,SONALIKA-26	10014057AD	COOL TECH STICKER	1	YES		LMKSU534156G26D
9	SOLIS-24	10052365AB	STICKER FOR COOL TECH	1			
10	SOLIS-26,SONALIKA-26	10083529AA	SOLIS PLATE	1			
10	SOLIS-26,SONALIKA-26	10083529AB	SOLIS PLATE	1	YES		MEMMGSF544107G
10A	SOLIS-26,SONALIKA-26	10083528AA	SONALIKA PLATE	1			

Sr.	Model	Item Code	Description	Qty	Int.	Remarks	Cut Off
10A	SOLIS-26,SONALIKA-26	10083528AB	SONALIKA PLATE	1	YES		AMGSF547196G
11	SOLIS-26,SONALIKA-26	10053671AB	STICKER FOR HI LOW	1			
11	SOLIS-26,SONALIKA-26	10053671AC	STICKER FOR HI LOW	1		INTERCHANGEABLE WITH 10053671AD (ROHS)	
11	SOLIS-24	10053671AD	STICKER FOR HI LOW	1			
11	SOLIS-26,SONALIKA-26	10053671AD	STICKER FOR HI LOW	1		(ROHS) INTERCHANGEABLE WITH 10053671AC	
12	SOLIS-26,SONALIKA-26	10053439AC	STICKER 4WD	1			
12	SOLIS-24	10053439AD	STICKER 4WD	1			
12	SOLIS-26,SONALIKA-26	10053439AB	STICKER 4WD	1			
13A	SOLIS-26,SONALIKA-26	10046068AA	STICKER FOR PTO	1	NO	NOT SHOWN, CHANGE IN PTO GEAR RATIO	MEMCMKSF600385G26
13	SOLIS-26,SONALIKA-26	10053670AA	STICKER FOR PTO	1			
13	SOLIS-26,SONALIKA-26	10053670AB	STICKER FOR PTO	1			
13	SOLIS-26,SONALIKA-26	10056162AA	STICKER FOR PTO INSTRUCTION	1			
13	SOLIS-24	10053670AC	STICKER FOR PTO	1			
14	SOLIS-26,SONALIKA-26	10084652AA	STICKER FOR DIFF LOCK	1			
14	SOLIS-26,SONALIKA-26	10084652AB	STICKER FOR DIFF LOCK	1		INTERCHANGEABLE WITH 10084652AC (ROHS)	
14	SOLIS-24	10084652AC	STICKER FOR DIFF LOCK	1			
14	SOLIS-26,SONALIKA-26	10084652AC	STICKER FOR DIFF LOCK	1		(ROHS) INTERCHANGEABLE WITH 10084652AB	
15	SOLIS-26,SONALIKA-26	10053697AA	STICKER POSITION LEVER	1			
15	SOLIS-26,SONALIKA-26	10053697AB	STICKER POSITION LEVER	1		INTERCHANGEABLE WITH 10053697AD (ROHS)	
15	SOLIS-24	10053697AC	STICKER POSITION LEVER	1			
15	SOLIS-26,SONALIKA-26	10053697AD	STICKER POSITION LEVER	1		(ROHS) INTERCHANGEABLE WITH 10053697AB	
16	SOLIS-26,SONALIKA-26	10052695AA	STICKER FOR SUCTION STRAINER	1			
17	SOLIS-26,SONALIKA-26 (ALLMODELSWITHDCV)	10053732AB	STICKER FOR QRC	1		WITH DCV OPTION	
17	SOLIS-26,SONALIKA-26 (ALLMODELSWITHDCV)	10053732AC	STICKER FOR QRC	1		WITH DCV OPTION	
17	SOLIS-24	10053732AD	STICKER FOR QRC	1		WITH DCV OPTION	
18	SOLIS-26,SONALIKA-26	10053718AA	STICKER FOR PARKING BRAKE	1			

Sr.	Model	Item Code	Description	Qty	Int.	Remarks	Cut Off
18	SOLIS-26,SONALIKA-26	10053718AB	STICKER FOR PARKING BRAKE	1		INTERCHANGEABLE WITH 10053718AC (ROHS)	
18	SOLIS-24	10053718AC	STICKER FOR PARKING BRAKE	1			
18	SOLIS-26,SONALIKA-26	10053718AC	STICKER FOR PARKING BRAKE	1		(ROHS) INTERCHANGEABLE WITH 10053718AB	

24110A-2/2

VARIOUS STICKER'S

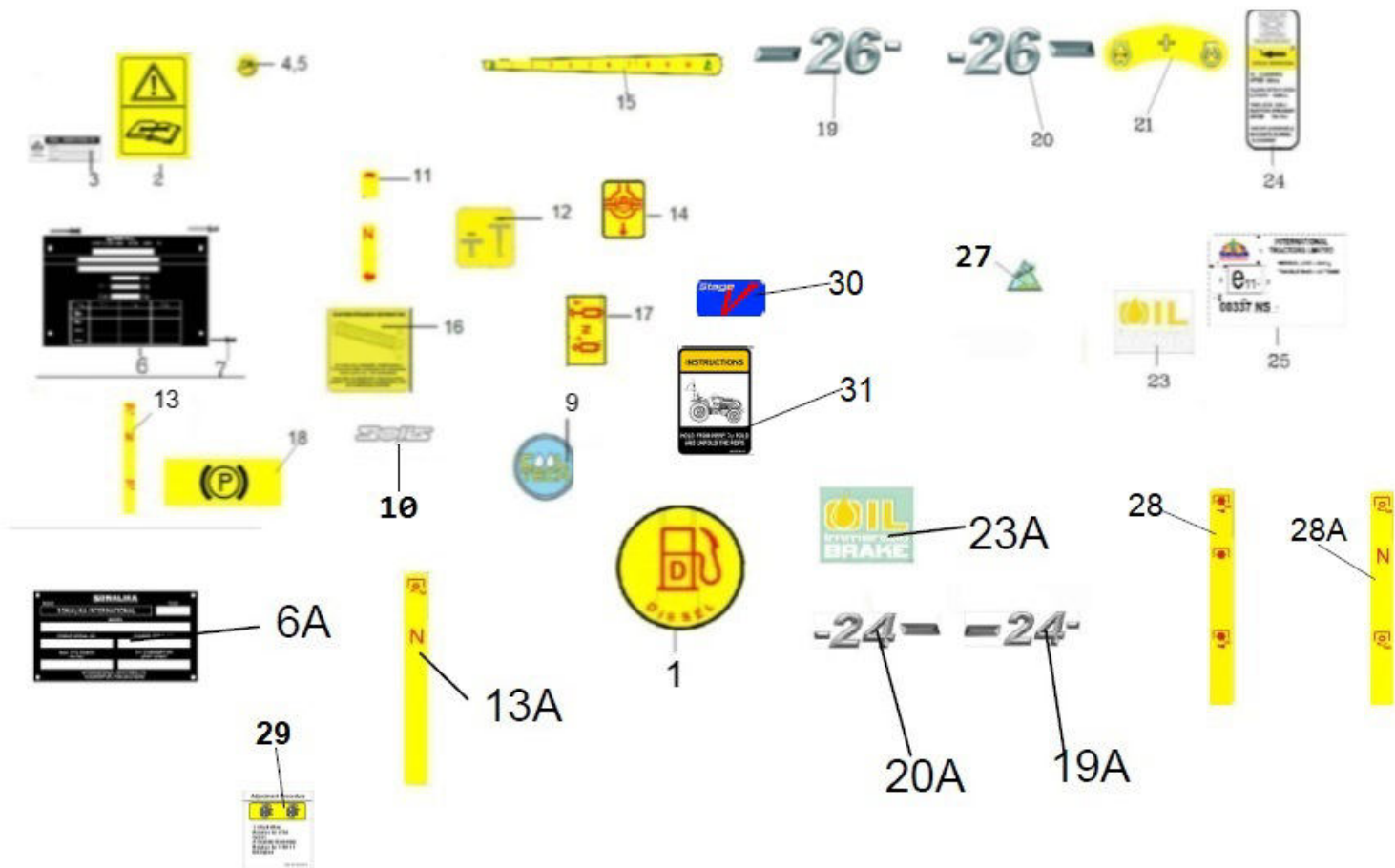


Sr.	Model	Item Code	Description	Qty	Int.	Remarks	Cut Off
19	SOLIS-26	10053396AA	BONNET STICKER SOLIS-26 RH	1			
19B	SONALIKA-26	10055051AA	SONALIKA 26 STICKER FOR BONNET RH	1			
20	SOLIS-26	10053395AA	BONNET STICKER SOLIS-26 LH	1			
20B	SONALIKA-26	10055050AA	SONALIKA 26 STICKER FOR BONNET LH	1			
21	SOLIS-26,SONALIKA-26	10053797AA	STICKER FOR STARTING CONTROL	1			
21	SOLIS-26,SONALIKA-26	10053797AB	STICKER FOR STARTING CONTROL	1			
22	SOLIS-26,SONALIKA-26	10084543AA	STICKER FOR FUEL	1		STICKER FOR FUEL DELETED FROM	KYEDF593742W NT

Sr.	Model	Item Code	Description	Qty	Int.	Remarks	Cut Off
22	SOLIS-26,SONALIKA-26	10012046AA	STICKER FOR DIESEL FUEL ONLY	1		DELETED FROM	DMKSU521326G26D
23	SOLIS-26,SONALIKA-26	10070332AB	STICKER FOR OIL IMMersed BRAKE	1			
23	SOLIS-26,SONALIKA-26	10014058AD	OIL IMMersed BRAKE STICKER	1	YES		DYBDU520345S3
24	SOLIS-26,SONALIKA-26	10055053AA	STICKER FOR MAGNETIC STRAINER	1			
24	SOLIS-26 EXCEPT ARGENTIANA,SONALIKA-26	10055053AC	STICKER FOR MAGNETIC STRAINER	1	YES		MEMGMKSF554589G26
25	SOLIS-26,SONALIKA-26	10054356AA	CLEVIS TYPE HITCH (E-MARK STICKER)	1		INTERCHANGEABLE WITH 10054356AB (ROHS)	
25	SOLIS-24	10054356AB	CLEVIS TYPE HITCH (E-MARK STICKER)	1			
25	SOLIS-26,SONALIKA-26	10054356AB	CLEVIS TYPE HITCH (E-MARK STICKER)	1		(ROHS) INTERCHANGEABLE WITH 10054356AA	
26	SOLIS-26,SONALIKA-26, SOLIS-26 EEC (ALL WITH III SPEED PTO),SOLIS-24	10014064AC	III SPEED PTO STICKER	1		NEW STICKER IS IMPLEMENTED FROM	BMKSF537644G26
27	SOLIS-26,SONALIKA-26, SOLIS-26 EEC (ALL WITH TWO PTO SPEED)	10014063AC	DOUBLE PTO STICKER	1		NEW STICKER IS IMPLEMENTED FROM	MEMBMGSF53927G
28	SOLIS-26,SONALIKA-26	10014072AC	STICKER MITSUBISHI ENGINE	1		NEW STICKER WITH MITSUBISHI ENGINE IS IMPLEMENTED FROM MEMBMKSF539582G26, STICKER IS DELETED FROM GMGSF552415G	
29	SOLIS-26,SONALIKA-26 (ALL EXPORT MODELS)	10056541AA	STICKER FOR ROTAVATOR USAGE	1		NEW STICKER ADDED FOR ROTAVATOR USAGE FROM	MEMGMKSF554589G26
30	SOLIS-24,SOLIS-26	300027566A	STICKER-POWERED BY MISTUBISHI	1		NEW STICKER ADDED FOR MITSUBISHI ENGINE	FOR NON EU MODEL-CMKSG801611G26, FOR EU MODEL-MEMRMGSNSK JH02853

24111A-1/2

VARIOUS STICKERS



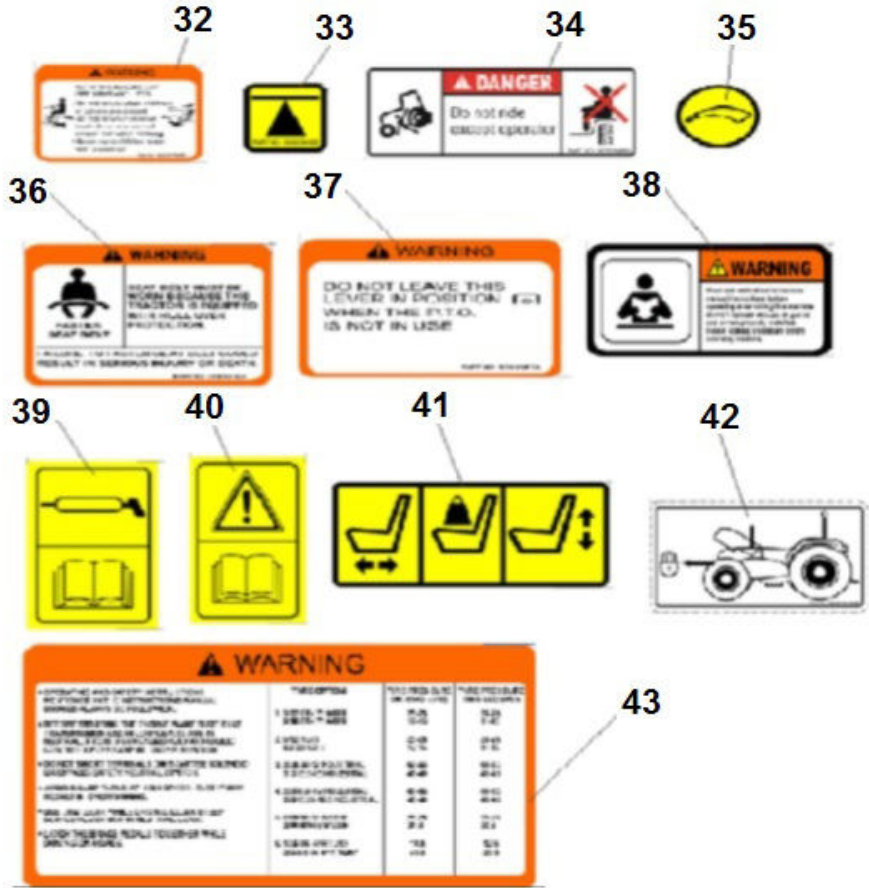
Sr.	Model	Item Code	Description	Qty	Int.	Remarks	Cut Off
1	ALL MODELS	300005466A	STICKER FOR FUEL	1			
2	SOLIS-26 FACELIFT	300005504A	STICKER FOR SERVICE	1			
3	SOLIS-26 FACELIFT	10004729AA	STICKER(FINAL INSPECTION)	2		INTERCHANGEABLE WITH 10004729AB (ROHS)	
3	SOLIS-24 EPA	10004729AB	STICKER(FINAL INSPECTION)	2			
3	SOLIS-26 FACELIFT	10004729AB	STICKER(FINAL INSPECTION)	2		(ROHS) INTERCHANGEABLE WITH 10004729AA	
4	SOLIS-26 FACELIFT	10004899AA	STICKER OK FILTERED (FOR DRAIN PLUG)	1		INTERCHANGEABLE WITH 10004899AB	

Sr.	Model	Item Code	Description	Qty	Int.	Remarks	Cut Off
						(ROHS)	
4	SOLIS-24 EPA	10004899AB	STICKER OK FILTERED (FOR DRAIN PLUG)	1			
4	SOLIS-26 FACELIFT	10004899AB	STICKER OK FILTERED (FOR DRAIN PLUG)	1		(ROHS) INTERCHANGEABLE WITH 10004899AA	
5	SOLIS-26 FACELIFT	10002428AA	STICKER OK FILTER	1		INTERCHANGEABLE WITH 10002428AB (ROHS)	
5	SOLIS-24 EPA	10002428AB	STICKER OK FILTER	1			
5	SOLIS-26 FACELIFT	10002428AB	STICKER OK FILTER	1		(ROHS) INTERCHANGEABLE WITH 10002428AA	
6	SOLIS-26 FACELIFT	300005264A	DATA PLATE	1			
6A	SOLIS-24 EPA	10070597AE	DATA PLATE	1			
7	ALL MODELS	10000636AA	RIVET DIA 3 (POP)	4			
9	SOLIS-26 FACELIFT	10014057AD	COOL TECH STICKER	1			
10	SOLIS-26 FACELIFT	10083529AB	SOLIS PLATE	1			
10	SOLIS-24 EPA	10083529AC	SOLIS PLATE	1			
11	ALL MODELS	300008086A	STICKER FOR HI LOW	1			
12	SOLIS-26 FACELIFT	10053439AC	STICKER 4WD	1			
12	SOLIS-24 EPA	10053439AD	STICKER 4WD	1			
13	SOLIS-26 FACELIFT	300008093B	STICKER FOR PTO	1			
13A	SOLIS-24 EPA	300021434B	STICKER FOR PTO	1			
14	ALL MODELS	300005470A	STICKER FOR DIFF LOCK	1			
15	ALL MODELS	300008088A	STICKER POSITION LEVER	1			
15	SOLIS-26 FACELIFT	300008088A	STICKER POSITION LEVER	1		NEW PART ADDED FOR BOM201IA5487 JDAJUD, 201IA5675JDAJ UD, 201IA5692JDAJ UDE, 201IA5689JDAJ UD	CMKSG803835G 26
16	SOLIS-26 FACELIFT	10052695AA	STICKER FOR SUCTION STRAINER	1			
17	ALL MODELS	300008169B	STICKER FOR QRC	1			
18	ALL MODELS	300008090A	STICKER FOR PARKING BRAKE	1			
19	SOLIS-26 FACELIFT	10057713AA	LOGO 26 RH	1			
19A	SOLIS-24 EPA	300002745A	LOGO 24 RH	1			
20	SOLIS-26 FACELIFT	10057712AA	LOGO 26 LH	1			

Sr.	Model	Item Code	Description	Qty	Int.	Remarks	Cut Off
20A	SOLIS-24 EPA	300002744A	LOGO 24 LH	1			
21	ALL MODELS	300008170A	STICKER FOR STARTING CONTROL	1			
23	SOLIS-26 FACELIFT	10014058AD	OIL IMMERSED BRAKE STICKER	1			
23A	SOLIS-24 EPA	10070332AC	OIL IMMERSED BRAKE STICKER	1			
24	ALL MODELS	10055053AC	STICKER FOR MAGNETIC STRAINER	1			
25	ALL MODELS	300012575A	CLEVIS TYPE HITCH (E-MARK STICKER)	1			
25	SOLIS-26 FACELIFT EUROP	300108110A	STICKER FOR CLEVIS HITCH	1	YES	FOR STAGE V ENGINE	MEMRMKSNSB KH03782
27	ALL MODELS	10014063AC	DOUBLE PTO STICKER	1			
28	SOLIS-26 FACELIFT	10046068AA	STICKER FOR PTO	1			
28A	SOLIS-26 FACELIFT	300008093B	STICKER FOR PTO	1	YES	NEW PART ADDED FOR BOM2011A5487 JDAJUD, 2011A5675JDAJ UD, 2011A5692JDAJ UDE, 2011A5689JDAJ UD	CMKSG803835G 26
29	SOLIS-24 EPA	300023523A	STICKER FOR DCV ADJUSTMENT PROCEDURE	1		THESE PARTS (10057451AB, 300023232A, 10056650AA, 10005405AB, 300023523A) ARE INTERCHANGEABLE AS A SET WITH (10057451AC, 300023232B, 300044293A, 10039219AA, 10087872AA, 10087873AA, 300044504A, 300044529A)	MEMG412H3GH WS2394
30	SOLIS-26 FACELIFT EUROP	300108079A	STICKER FOR STAGE 5	1		FOR STAGE V ENGINE	MEMRMKSNSB KH03782
31	SOLIS-26 FACELIFT EUROP	300107941A	ROPS GRASPING AREA STICKER	1		FOR STAGE V ENGINE	MEMRMKSNSB KH03782

24111A-2/2

VARIOUS STICKERS

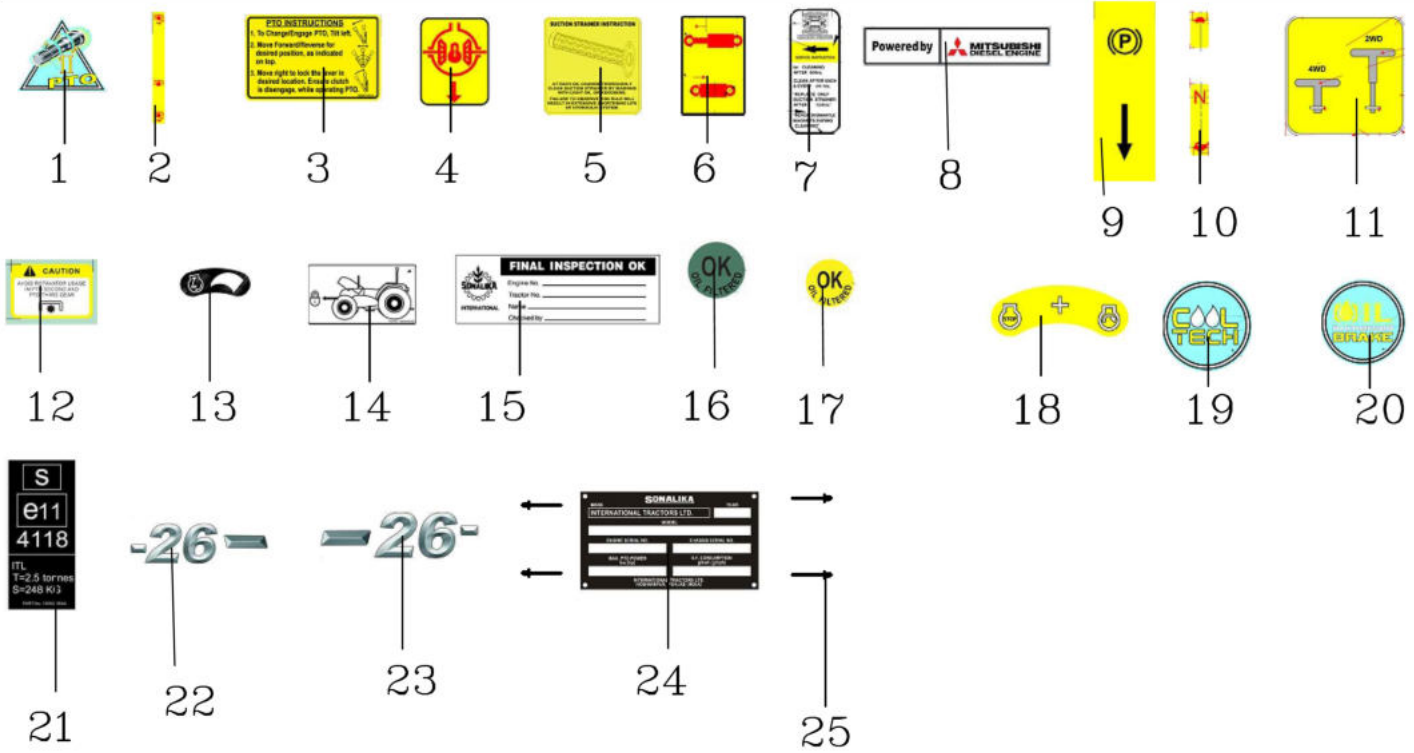


Sr.	Model	Item Code	Description	Qty	Int.	Remarks	Cut Off
32	ALL MODELS	300005508B	STICKER FOR RIDING INSTRUCTION	1		INTERCHANGEABLE WITH 300005508C (ROHS)	
32	ALL MODELS	300005508C	STICKER FOR RIDING INSTRUCTION	1		(ROHS) INTERCHANGEABLE WITH 300005508B	
33	ALL MODELS	300005490B	STICKER FOR JACK POINT	1			
34	SOLIS-26 FACELIFT	300005488A	STICKER FOR FENDER WARNING	1			
35	SOLIS-26 FACELIFT	300005475A	STICKER FOR HAND ACCELERATOR	1			
36	SOLIS-26 FACELIFT	300005483A	STICKER FOR SEAT BELT INSTRUCTION	1			

Sr.	Model	Item Code	Description	Qty	Int.	Remarks	Cut Off
37	SOLIS-26 FACELIFT	300005487A	STICKER FOR PTO WARNING	1			
38	SOLIS-26 FACELIFT	300005493A	STICKER FOR OPERATOR MANUAL INSTRUCTION	1			
39	SOLIS-26 FACELIFT	300005502A	STICKER FOR GREASING POINT	1			
40	SOLIS-26 FACELIFT	300005503A	STICKER FOR OPERATOR ALERT	1			
41	SOLIS-26 FACELIFT	300005501A	STICKER FOR SEAT ADJUSTMENT & WEIGHT	1			
42	ALL MODELS	300005506B	STICKER FOR BONNET LOCK OPEN DECK	1			
42	SOLIS-26 FACELIFT	300005506B	STICKER FOR BONNET LOCK OPEN DECK	1		NEW PART ADDED FOR NON EU MODELS	MEMDMKSG781552G26
43	SOLIS-26 FACELIFT	300012534A	STICKER FOR TYRE PRESSURE	1		INTERCHANGEABLE WITH 300012534C (ROHS)	
43	SOLIS-26 FACELIFT	300012534C	STICKER FOR TYRE PRESSURE	1		(ROHS) INTERCHANGEABLE WITH 300012534A	

24112A-1/1

VARIOUS STICKERS

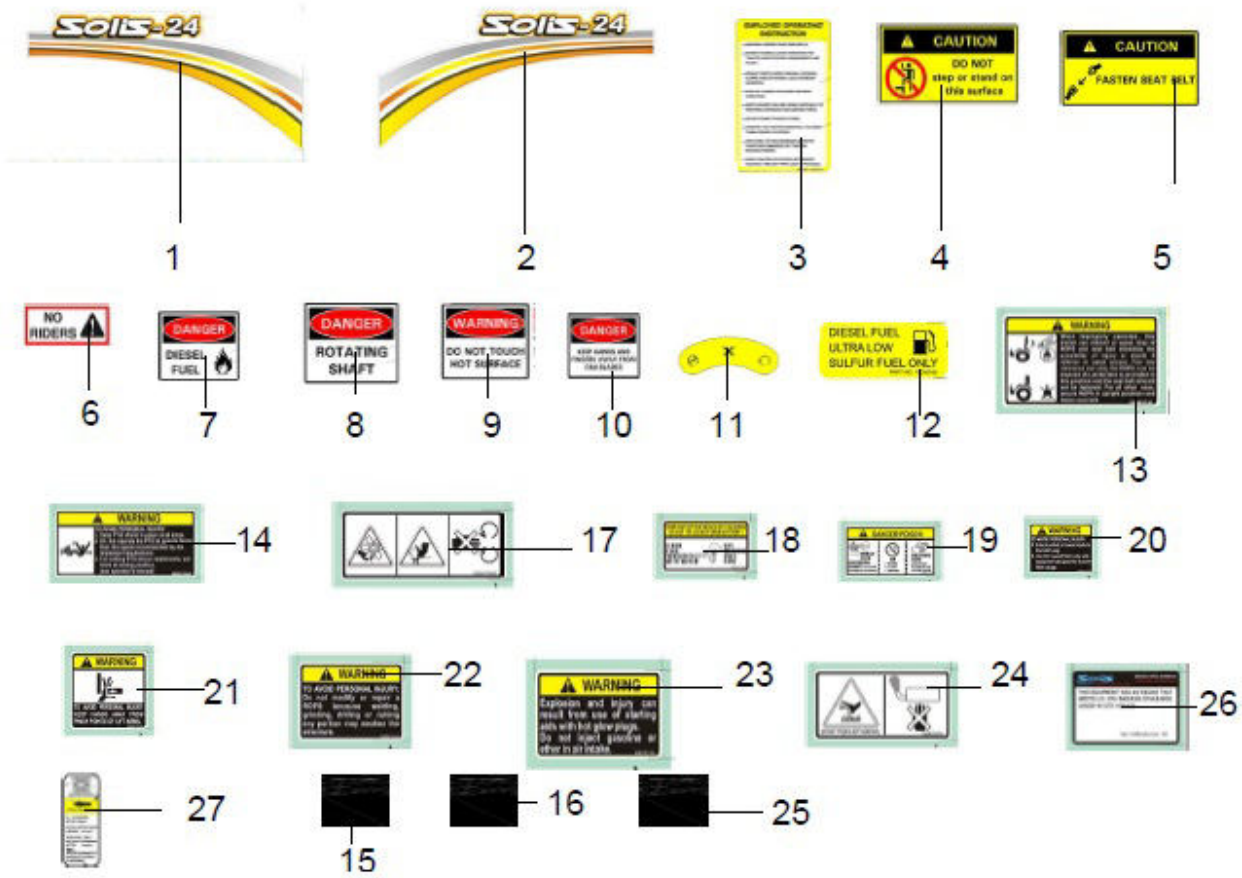


Sr.	Model	Item Code	Description	Qty	Int.	Remarks	Cut Off
1	SONALIKA-26 FACELIFT	10014063AC	DOUBLE PTO STICKER	1			
2	SONALIKA-26 FACELIFT	10046068AA	STICKER FOR PTO	1			
3	SONALIKA-26 FACELIFT	10056162AA	STICKER FOR PTO INSTRUCTION	1			
4	SONALIKA-26 FACELIFT	10084652AB	STICKER FOR DIFF LOCK	1			
5	SONALIKA-26 FACELIFT	10052695AA	STICKER FOR SUCTION STRAINER	1			
6	SONALIKA-26 FACELIFT	10053732AC	STICKER FOR QRC	1			
7	SONALIKA-26 FACELIFT	10055053AC	STICKER FOR MAGNETIC STRAINER	1			
8	SONALIKA-26 FACELIFT	300027566A	STICKER-POWERED BY MISTUBISHI	1			

Sr.	Model	Item Code	Description	Qty	Int.	Remarks	Cut Off
9	SONALIKA-26 FACELIFT	10053718AB	STICKER FOR PARKING BRAKE	1			
10	SONALIKA-26 FACELIFT	10053671AC	STICKER FOR HI LOW	1			
11	SONALIKA-26 FACELIFT	10053439AC	STICKER 4WD	1			
12	SONALIKA-26 FACELIFT	10056541AA	STICKER FOR ROTAVATOR USAGE	1			
13	SONALIKA-26 FACELIFT	10024815AA	STICKER FOR SPEED CONTROL	1			
14	SONALIKA-26 FACELIFT	300005506B	STICKER FOR BONNET LOCK OPEN DECK	1			
15	SONALIKA-26 FACELIFT	10004729AA	STICKER(FINAL INSPECTION)	2			
16	SONALIKA-26 FACELIFT	10004899AA	STICKER OK FILTERED (FOR DRAIN PLUG)	1			
17	SONALIKA-26 FACELIFT	10002428AA	STICKER OK FILTER	1			
18	SONALIKA-26 FACELIFT	300008170A	STICKER FOR STARTING CONTROL	1			
19	SONALIKA-26 FACELIFT	10014057AD	COOL TECH STICKER	1			
20	SONALIKA-26 FACELIFT	10014058AD	OIL IMMersed BRAKE STICKER	1			
21	SONALIKA-26 FACELIFT	10054356AA	CLEVIS TYPE HITCH (E-MARK STICKER)	1			
22	SONALIKA-26 FACELIFT	10057712AA	LOGO 26 LH	1			
23	SONALIKA-26 FACELIFT	10057713AA	LOGO 26 RH	1			
24	SONALIKA-26 FACELIFT	10070597AE	DATA PLATE	1			
25	SONALIKA-26 FACELIFT	10000636AA	RIVET DIA 3 (POP)	4			

24120A-1/1

VARIOUS STICKERS

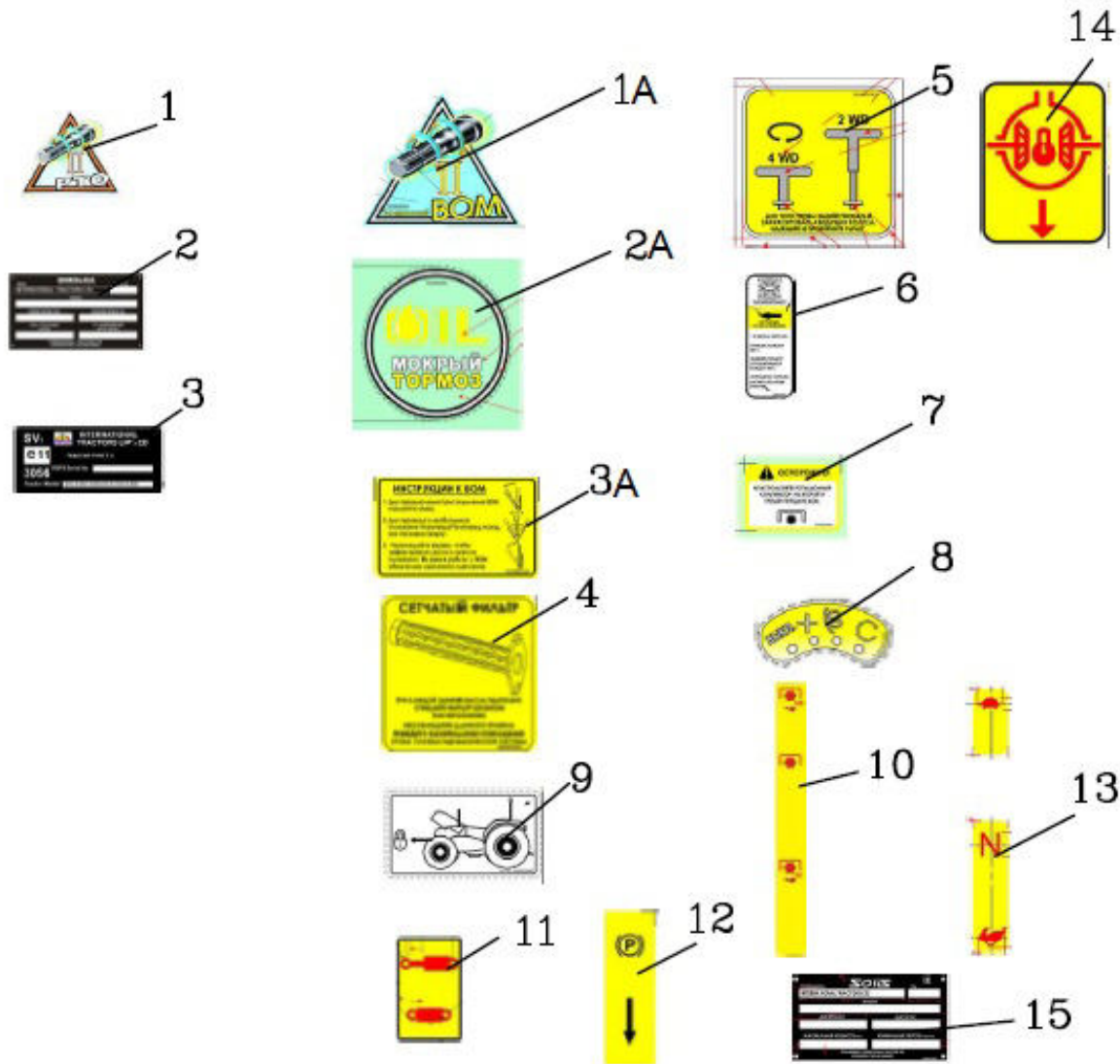


Sr.	Model	Item Code	Description	Qty	Int.	Remarks	Cut Off
1	SOLIS-24	10040980AA	STICKER BONNET SOLIS-24-RH	1			
2	SOLIS-24	10040981AA	STICKER BONNET SOLIS-24-LH	1			
3	SOLIS-24	10083529AB	SOLIS PLATE	1			
4	SOLIS-24	10056252AA	STICKER EMPLOYEE OPERATING INSTRUCTION	1			
5	SOLIS-24	10054291AB	STICKER CAUTION STEP STAND ON THS SURFAC	1			
6	SOLIS-24	10054292AB	STICKER CAUTION FASTEN SEAT BELT	1			
7	SOLIS-24	10054293AB	STICKER NO RIDERS	1			
8	SOLIS-24	10054294AB	STICKER DIESEL FUEL	1			

Sr.	Model	Item Code	Description	Qty	Int.	Remarks	Cut Off
9	SOLIS-24	10054295AB	STICKER ROTATING SHAFT	1			
10	SOLIS-24	10054296AB	STICKER DONOT TOUCH HOT SURFACE	1			
11	SOLIS-24	10054297AB	STICKER KEEP HANDS&FINGERS AWAY FAN BLAD	1			
12	SOLIS-24	10053797AC	STICKER FOR STARTING CONTROL	1			
13	SOLIS-24	10054356AB	CLEVIS TYPE HITCH (E-MARK STICKER)	1			
14	SOLIS-24	10070332AC	STICKER FOR OIL IMMERSED BRAKE	1			
15	SOLIS-24	10055392AA	STICKER FOR LOW SULFUR FUEL	1			
16	SOLIS-24	10056111AA	STICKER FOR ROPS INSTRUCTIONS	1			
17	SOLIS-24	10056112AA	STICKER FOR PTO INSTRUCTIONS	1			
18	SOLIS-24	10056113AA	STICKER FOR INSTRUCTIONS	1			
19	SOLIS-24	10056114AA	STICKER FOR SAFETY STARTING	1			
20	SOLIS-24	10056115AA	STICKER FOR ROTARY PARTS	1			
21	SOLIS-24	10056116AA	STICKER FOR BATTERY WARNING-1	1			
22	SOLIS-24	10056117AA	STICKER FOR BATTERY WARNING-2	1			
23	SOLIS-24	10056118AA	STICKER FOR REAR HITCH	1			
24	SOLIS-24	10056119AA	STICKER FOR LIFT ARM INSTRUCTIONS	1			
25	SOLIS-24	10056120AA	STICKER FOR ROPS INSTRUCTIONS	1			
26	SOLIS-24	10056121AA	STICKER FOR COLD START SAFETY	1			
27	SOLIS-24	10056122AA	STICKER FOR HOT SURFACE	1			
28	SOLIS-24	10056123AA	STICKER FOR LIFT ROD INSTRUCTIONS	1			
29	SOLIS-24	10040990AA	STICKER FOR SOLIS EMISSION CONTROL	1			
30	SOLIS-24	10055053AB	STICKER FOR MAGNETIC STRAINER	1			

24130A-1-1

VARIOUS STICKERS

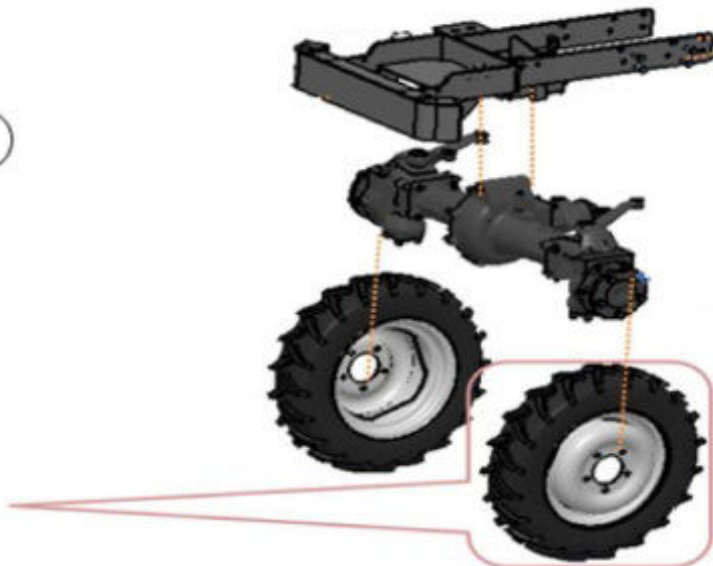
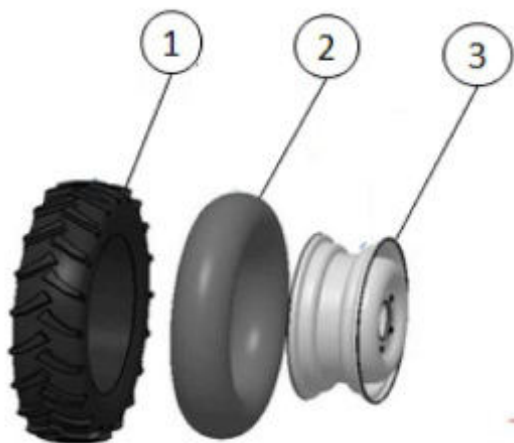


Sr.	Model	Item Code	Description	Qty	Int.	Remarks	Cut Off
1	ALL MODELS	10014063AC	DOUBLE PTO STICKER	1			
1A	ALL MODELS	300065090A	DOUBLE PTO STICKER	1	YES	RUSSIAN LANGUAGE STICKER	CMKSG803835G26
2	ALL MODELS	10070597AE	DATA PLATE	1			
2A	ALL MODELS	300065088A	OIL IMMERSED BRAKE STICKER	1	NO	RUSSIAN LANGUAGE STICKER	CMKSG803835G26
3	ALL MODELS	10054197AC	ROPS DATA PLATE	1			
3A	ALL MODELS	300065093A	STICKER FOR PTO INSTRUCTION	1	NO	RUSSIAN LANGUAGE STICKER	CMKSG803835G26
4	ALL MODELS	300065095A	STICKER FOR SUCTION STRAINER	1		NEW PART ADDED,	CMKSG803835G26

Sr.	Model	Item Code	Description	Qty	Int.	Remarks	Cut Off
						RUSSIAN LANGUAGE STICKER	
5	ALL MODELS	300065092A	STICKER FOR 4WD	1		NEW PART ADDED, RUSSIAN LANGUAGE STICKER	CMKSG803835G 26
6	ALL MODELS	300065097A	STICKER FOR MAGNETIC STRAINER	1		NEW PART ADDED, RUSSIAN LANGUAGE STICKER	CMKSG803835G 26
7	ALL MODELS	300065094A	STICKER FOR ROTAVATOR USAGE	1		NEW PART ADDED, RUSSIAN LANGUAGE STICKER	CMKSG803835G 26
8	ALL MODELS	300065087A	STICKER FOR STARTING CONTROLS	1		NEW PART ADDED, RUSSIAN LANGUAGE STICKER	CMKSG803835G 26
9	ALL MODELS	300005506B	STICKER FOR BONNET LOCK OPEN DECK	1		NEW PART ADDED, RUSSIAN LANGUAGE STICKER	CMKSG803835G 26
10	ALL MODELS	10046068AA	STICKER FOR PTO	1		NEW PART ADDED, RUSSIAN LANGUAGE STICKER	CMKSG803835G 26
11	ALL MODELS	10053732AC	STICKER FOR QRC	1		NEW PART ADDED, RUSSIAN LANGUAGE STICKER	CMKSG803835G 26
12	ALL MODELS	10053718AB	STICKER FOR PARKING BRAKE	1		NEW PART ADDED, RUSSIAN LANGUAGE STICKER	CMKSG803835G 26
13	ALL MODELS	10053671AC	STICKER FOR HI LOW	1		NEW PART ADDED, RUSSIAN LANGUAGE STICKER	CMKSG803835G 26
14	ALL MODELS	10084652AA	STICKER FOR DIFF LOCK	1		NEW PART ADDED, RUSSIAN LANGUAGE STICKER	CMKSG803835G 26
15	ALL MODELS	300067000A	DATA PLATE	1		NEW PART ADDED, RUSSIAN LANGUAGE STICKER	CMKSG803835G 26

25110A-1/1

FRONT TYRES

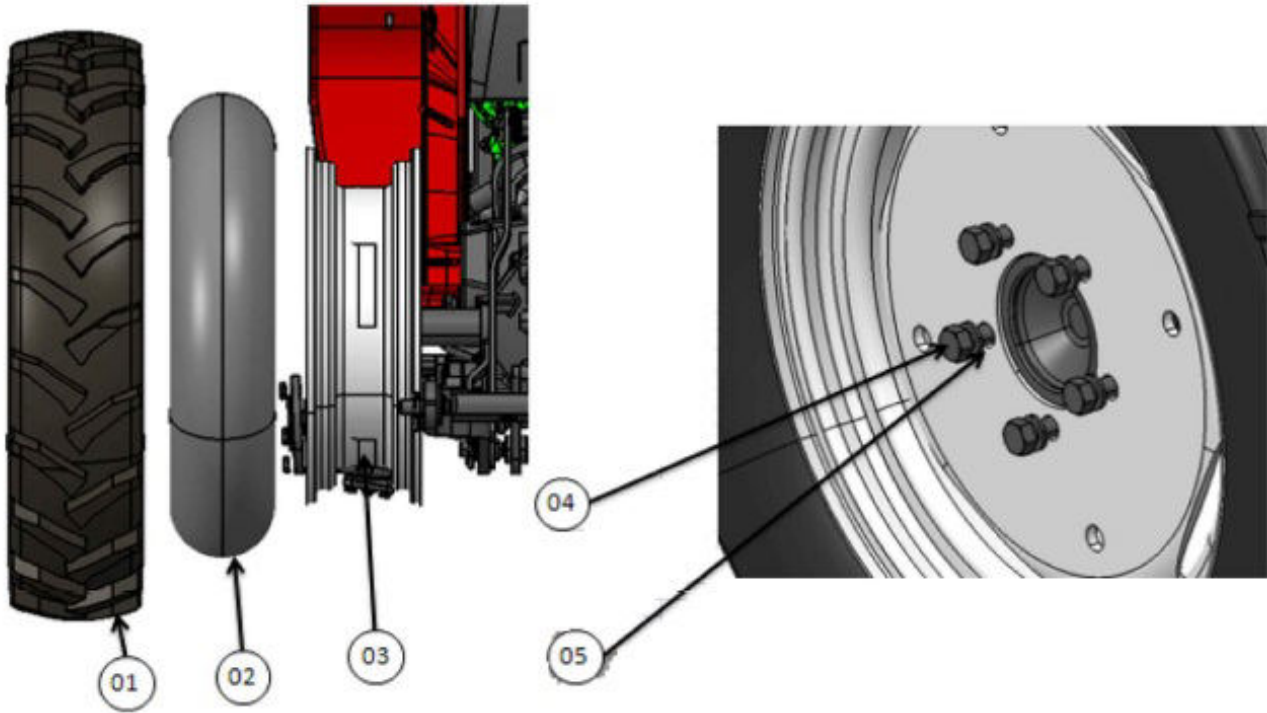


Sr.	Model	Item Code	Description	Qty	Int.	Remarks	Cut Off
1	SOLIS-26,SONALIKA-26	10052518AA	FRONT TYRE 6*12	2			
1	SOLIS-24 AGRY TYRES	10054185AA	BKT 6-12 TR128 6PR TT FRONT TYRE	2		AGRY TYRES	
1	SOLIS-26 AGRY TYRES	10054177AA	BKT 6-12 TR 171 - FRONT	2		AGRY TYRES	
1	SOLIS-26 INDUSTRIAL TYRE,SOLIS-24 INDUSTRIAL TYRE MODEL	20004807AA	23X8.5-12 12 PR BKT SP HD TL	2		INDUSTRIAL TYRE MODEL	
1	SOLIS-26 TURF,SOLIS-24 TURF TYRE MODEL	20004805AA	23X8.5-12 12 PR BKT LG306 TL	2		TURF TYRE MODEL	
1	SOLIS-26,SONALIKA-26 (WIDER TYRES)	10054033AA	TR FRONT 6.5/80-12 6PR BKT AS504 HD TT	2			
1	SONALIKA-26 FACELIFT	10054177AA	BKT 6-12 TR 171 - FRONT	2			

Sr.	Model	Item Code	Description	Qty	Int.	Remarks	Cut Off
2	SOLIS-26,SONALIKA-26	10052520AA	FRONT TUBE 6*12	2			
2	SOLIS-24 AGRI TYRES MODEL	10054179AA	BKT FRONT TUBE 6X12	2		AGRI TYRES MODEL	
2	SONALIKA-26 FACELIFT	10054179AA	BKT FRONT TUBE 6X12	2			
3	SOLIS-26,SONALIKA-26	10052515AA	FRONT RIM ASSY 24HP	2			
3	SOLIS-24 AGRI TYRES MODEL	10054485AB	FRONT RIM ASSY 24HP-4X12 (SILVER)	2		AGRI TYRES MODEL	
3	SOLIS-24 AGRI TYRES MODEL	10052515AB	FRONT RIM ASSY 24HP	2		AGRI TYRES MODEL	
3	SOLIS-24 INDUSTRIAL & TURF MODEL	10056666AA	FRONT RIM 7.00IX12 (SILVERPAINTED)	2		INDUSTRIAL & TURF MODEL	
3	SOLIS-24,SOLIS-26	300041451A	FRONT RIM 7.00I X 12(SILVER PAINTED)	2	YES		MEMRMKSNSFJH01386
3	SOLIS-26 TRUFF	10056666AA	FRONT RIM 7.00I X 12(SILVER PAINTED)	2			
3	SOLIS-26 TRUFF	300078384A	FRONT RIM 7.00I X 12(SILVER) IN HOUSE	2	YES		FOR NO EU MODELS-CYIDG796492W 10, FOR EU MODELS-MEMSYFDHRKJH02878

25120A-1/1

REAR TYRE

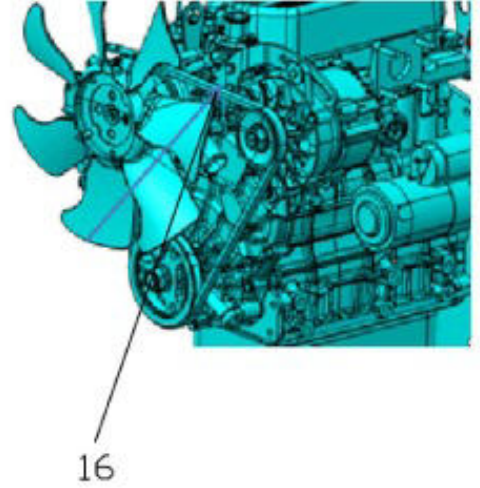
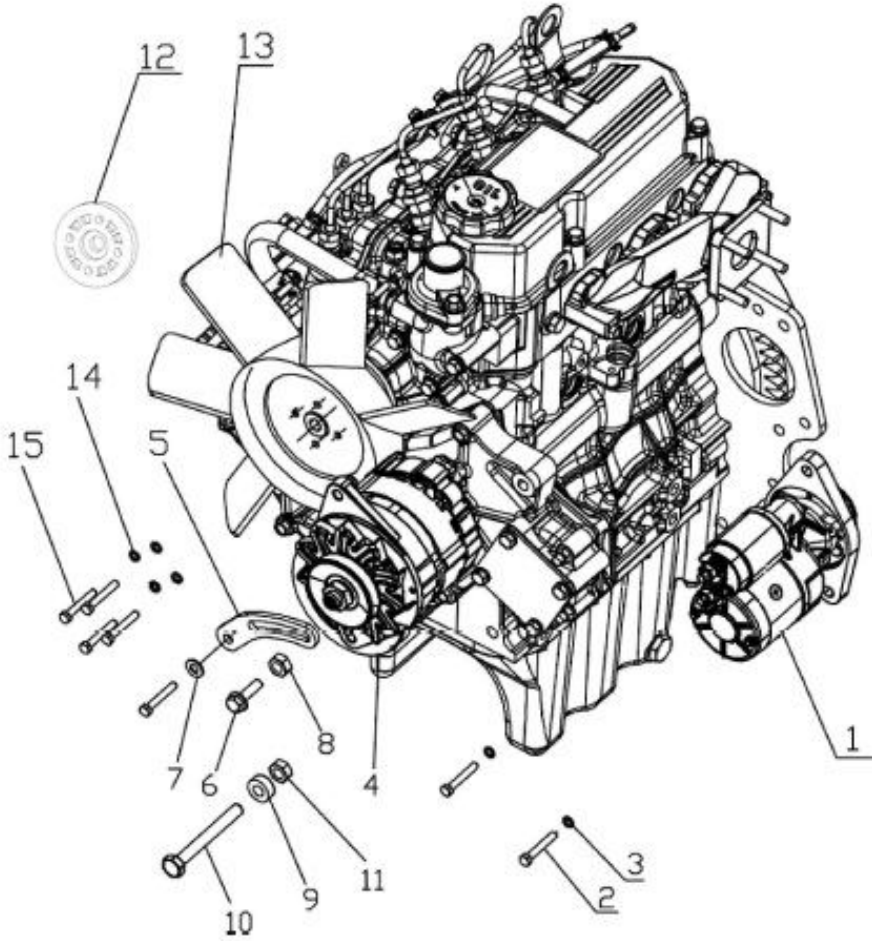


Sr.	Model	Item Code	Description	Qty	Int.	Remarks	Cut Off
1	SOLIS-26,SONALIKA-26	10052519AA	REAR TYRE 8.3*20	2			
1	SOLIS-26 INDUSTRIAL TYRES	20004808AA	31X15.5-15 10 PR BKT SP HD TL	2			
1	SOLIS-26 AGRI TYRES	10054178AA	BKT 8.30-20 REAR	2			
1	SOLIS-24 AGRI TYRES MODEL	10054184AA	BKT 8.3-20 FARM 2000 6PR TT REAR TYRE	2		AGRI TYRES MODEL	
1	SOLIS-24 INDUSTRIAL TYRES MODEL	10057044AA	REAR TYRE 33X15.5-16.5 SPHD 12PRTL	2		INDUSTRIAL TYRES MODEL	
1	SOLIS-26 TURF,SOLIS-24	20004806AA	33X15.5-16.5 10 PR BKT LG 306 TL	2		TURF TYRE MODEL	
1	SOLIS-26,SONALIKA-26 (WIDER TYRES)	10085745AA	TR REAR 280/70R18 AGRIMAX RT765 E 114A8	2		These tyres are used in front in SOLIS 90N model	

Sr.	Model	Item Code	Description	Qty	Int.	Remarks	Cut Off
1	SONALIKA-26 FACELIFT	10054178AA	BKT 8.30-20 REAR	2			
2	SOLIS-26,SONALIKA-26	10052521AA	REAR TUBE 8.3*20	2			
2	SOLIS-24	10054180AA	BKT 8.3X20 (TR-218A) TUBE	2		AGRI TYRES MODEL	
2	SONALIKA-26 FACELIFT	10054180AA	BKT 8.3X20 (TR-218A) TUBE	2			
3	SOLIS-26,SONALIKA-26	10052516AB	REAR RIM ASSY 24HP	2			
3	SOLIS-26(SOUTHAFRICA, ARGENTINA,DENMARK, POLAND,GERMANY, BRAZIL,UK),DI-26GARDENTRACEXCEPT TAIWAN,	10056246AA	REAR RIM ASSY W7X20 (CED COATED)	2	NO	PART CODE OF CED COATED	JMKSF578889G 26
3	SOLIS-26,SONALIKA-26	10054486AA	REAR RIM ASSY 24HP-W7X20 (SILVER)	2			
3	SOLIS-26(SOUTHAFRICA, ARGENTINA,DENMARK, POLAND,GERMANY, BRAZIL,UK),DI-26GARDENTRACEXCEPT TAIWAN,	10056247AA	REAR RIM ASSY W7X20 (SILVER)	2	NO		JMKSF578889G 26
3	SOLIS-24	10054303AA	REAR RIM UNPAINTED	2		AGRI TYRES MODEL	
3	SOLIS-24	10054304AA	REAR RIM SILVER PAINTED	2		AGRI TYRES MODEL	
3	SOLIS-24	10056668AA	REAR RIM 16.5 X 12.00(SILVER PAINTED)	2		INDUSTRIAL & TURF MODEL	
3	SOLIS-24	10056669AA	REAR RIM 16.5 X 12.00(W/O PAINT)	2		INDUSTRIAL & TURF MODEL	
3	SOLIS-24,SOLIS-26	300041455A	REAR RIM 16.5 X 12.00(SILVER PAINTED)	2	YES	INTERCHANGABLE WITH 10056668AA	MEMRMKSNFSJ H01386
3	SOLIS-26 TRUFF	10056668AA	REAR RIM 16.5 X 12.00(SILVER PAINTED)	2			
3	SOLIS-26 TRUFF	300078385A	REAR RIM 16.5 X 12.00(SILVER) IN HOUSE	2	YES		FOR NO EU MODELS- CYIDG796492W 10, FOR EU MODELS- MEMSYFDHRKJ H02878
4	SOLIS-26,SONALIKA-26, SOLIS-24	20003365AA	HEX NUT M16X1.5 -8 SA2GS	10		INTERCHANGEABLE WITH 20005513AA (ROHS)	
4	SOLIS-24 EPA	20005513AA	HEX NUT M16X1.5 -8 SA4GS	10			
4	SOLIS-26,SONALIKA-26, SOLIS-24	20005513AA	HEX NUT M16X1.5 -8 SA4GS	10	YES	(ROHS) INTERCHANGEABLE WITH 20003365AA	
5	SOLIS-26,SONALIKA-26, SOLIS-24	10005014AA	WASHER	10		INTERCHANGEABLE WITH 10005014AB (ROHS)	
5	SOLIS-24 EPA	20004994AB	SPRING WASHER B-16 TYPE-A IS: 3063-1972	10			
5	SOLIS-26,SONALIKA-26, SOLIS-24	10005014AB	WASHER	10		(ROHS) INTERCHANGEABLE WITH 10005014AA	

26110A-1/1

ALTERNATOR & STARTER ASSY.



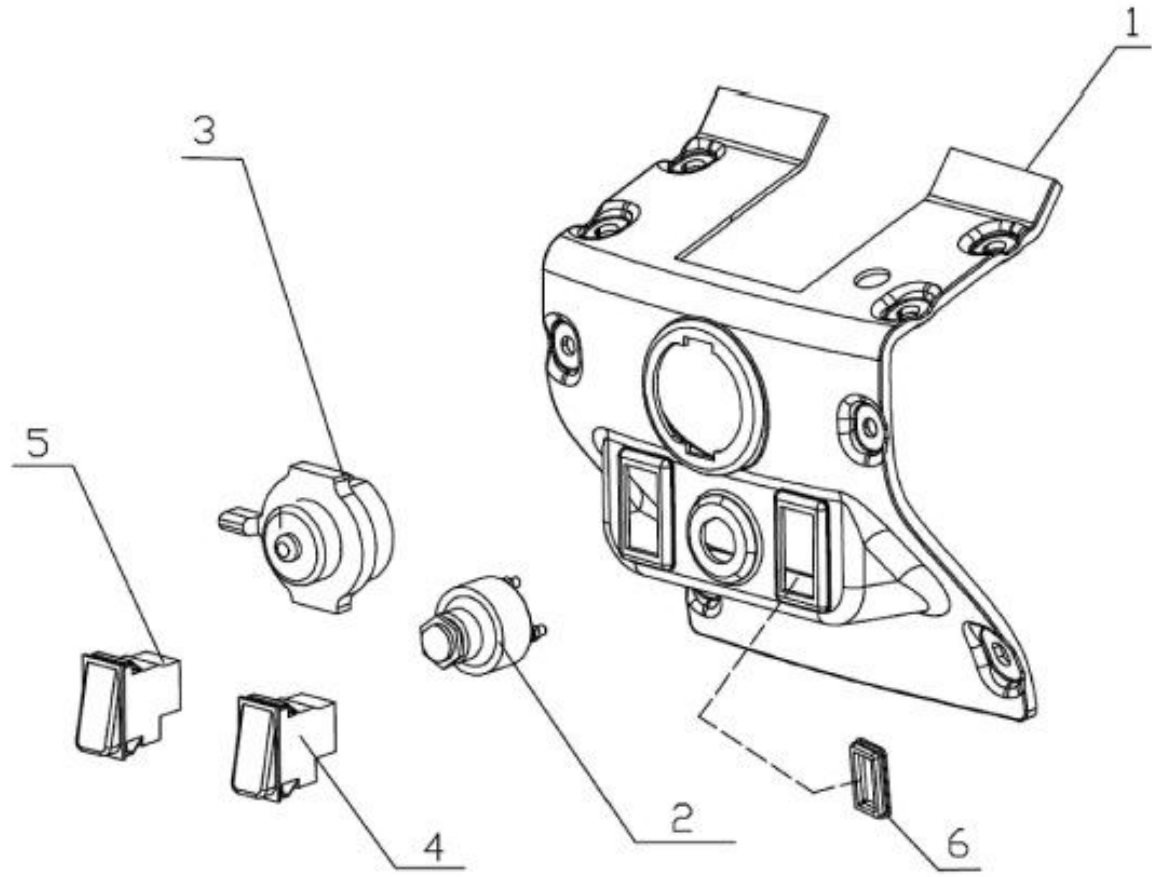
Sr.	Model	Item Code	Description	Qty	Int.	Remarks	Cut Off
1	SOLIS-26, SONALIKA-26	803010049A	STARTER MOTOR ASSY. (26HP)	1			
1	SOLIS-26, SONALIKA-26	803010049D	STARTER MOTOR ASSY. (26HP)	1			
1	SOLIS-26, SONALIKA-26, SOLIS-24	803010085A	STARTER MOTOR ASSY. (GT-26_MISTUBISHI)	1	YES		DMKSU518820G 26D
2	SOLIS-26, SONALIKA-26, SOLIS-24	04040110025	HEX HEAD SCREW M10X1.5 - 25 8.8 SA2JS-Z	2		INTERCHANGE ABLE WITH 20005553AA (ROHS)	
2	SOLIS-24 EPA	20005553AA	Hex head Screw M10x1.5 - 25 8.8 SA4GS-Z	2			
2	SOLIS-26, SONALIKA-26, SOLIS-24	20005553AA	HEX HEAD SCREW M10X1.5X25 SA4GS	2		(ROHS) INTERCHANGE ABLE WITH 04040110025	

Sr.	Model	Item Code	Description	Qty	Int.	Remarks	Cut Off
3	SOLIS-26, SONALIKA-26	04030300010	PUNCHED WASHER M10	2		INTERCHANGEABLE WITH 20005611AA (ROHS)	
3	SOLIS-24	20005006AA	PUNCHED WASHER A 11 IS:2016 STEEL	2			
3	SOLIS-24 EPA	20005006AB	PUNCHED WASHER A 11 IS:2016 STEEL	2			
3	SOLIS-26, SONALIKA-26	20005611AA	PUNCHED WASHER M10	2		(ROHS) INTERCHANGEABLE WITH 04030300010	
4	SOLIS-26, SONALIKA-26	803010050B	ALTERNATOR ASSY. (26HP)	1			
4	SOLIS-24	803010050C	ALTERNATOR ASSY. (26HP)	1			
5	SOLIS-26, SONALIKA-26	703010009A	ALTERNATOR STRUT_(26HP)	1			
5	SOLIS-24	703010009B	ALTERNATOR STRUT_(26HP)	1			
6	SOLIS-26, SONALIKA-26	102108301M	FLANGE SCREW M8X30 (ALTERNATOR)TOP	1			
6	SOLIS-24 EPA	20005571AA	HEX SCREW M8X1.25X29	1			
7	SOLIS-26, SONALIKA-26, SOLIS-24	04030600008	PLAIN WASHER DIA 8.4 *DIA 17*1.6	1			
7	SOLIS-24 EPA	20004935AB	PLAIN WASHER DIA 8.4 *DIA 17*1.6	1			
8	SOLIS-24	20004917AA	HEX NYLOC NUT M8*1.25 8 SA4JS	1			
8	SOLIS-26, SONALIKA-26	04041000008	HEX NYLOCK NUT M8*1.25	1		INTERCHANGEABLE WITH 20004917AB (ROHS)	
8	SOLIS-24 EPA	20004917AB	HEX NYLOC NUT M8*1.25 8 SA4JS	1			
8	SOLIS-26, SONALIKA-26	20004917AB	HEX NYLOC NUT M8*1.25 8	1		(ROHS) INTERCHANGEABLE WITH 04041000008	
9	SOLIS-26, SONALIKA-26	703010010A	SPACER ALTERNATOR_DIA22X8.5 (26HP)	1			
9	SOLIS-26, SONALIKA-26	703010010B	SPACER ALTERNATOR_DIA22x7.5 (26HP)	1	YES		LMKST699509G 26D
9	SOLIS-24	703010010B	SPACER ALTERNATOR_DIA22x7.5 (26HP)	1			
9	SONALIKA-26 FACELIFT	703010010C	SPACER ALTERNATOR_DIA22x7.5 (26HP)	1			
10	SOLIS-26, SONALIKA-26	20003223AA	HEX BOLT M10*1.5*90 8-8 SA3NS	1			
10	SOLIS-26, SONALIKA-26, SOLIS-24	20003223AB	HEX. BOLT M10*1.5*90	1	YES		BMKSF538711G 26
11	SOLIS-26, SONALIKA-26	04041000010	HEX NYLOCK NUT M10	1		INTERCHANGEABLE WITH 200000416B (ROHS)	
11	SOLIS-26, SONALIKA-26	200000416B	HEX NYLOC NUT M14X2 10 SA4GS	1		(ROHS) INTERCHANGEABLE WITH 04041000010	
12	SOLIS-26, SONALIKA-26	10053654AA	FAN SPACER DIA 71X11	1			
12	SOLIS-26, SONALIKA-26	10053654AB	FAN SPACER DIA 71X11	1		INTERCHANGEABLE WITH 10053654AC	

Sr.	Model	Item Code	Description	Qty	Int.	Remarks	Cut Off
						(ROHS)	
12	SOLIS-24	10053654AC	FAN SPACER DIA 71X11	1			
12	SOLIS-26, SONALIKA-26	10053654AC	FAN SPACER DIA 71X11	1		(ROHS) INTERCHANGE ABLE WITH 10053654AB	
13	SOLIS-26, SONALIKA-26	10051911AA	RADIATOR FAN DIA 350 MM (GT)	1		INTERCHANGE ABLE WITH 10051911AB (ROHS)	
13	SOLIS-24	803013099A	FAN ASSY.382D.(NYLON-6 BLADE) MISTUBISHI	1			
13	SOLIS-26, SONALIKA-26	10051911AB	RADIATOR FAN DIA 350 MM (GT)	1		(ROHS) INTERCHANGE ABLE WITH 10051911AA	
13	SONALIKA-26 FACELIFT	803013099A	FAN ASSY.382D.(NYLON-6 BLADE) MISTUBISHI	1			
14	SOLIS-26, SONALIKA-26	04030400006	SPRING WASHER B-6	4			
14	SOLIS-24	20004993AA	SPRING WASHER B-12TYPE-A IS: 3063-1972	4			
14	SOLIS-24 EPA	20005516AA	SPRING WASHER B-6 TYPE A IS: 3067-1972	4			
15	SOLIS-26, SONALIKA-26, SOLIS-24	20003518AA	HEX FLANGE SCREW M6*1*20-8.8 SA2JS	4		INTERCHANGE ABLE WITH 20005541AA (ROHS)	
15	SOLIS-24 EPA	20005541AA	HEX FLANGE SCREW M6*1*20 -8.8 SA4GS	4			
15	SOLIS-26, SONALIKA-26, SOLIS-24	20005541AA	HEX FLANGE SCREW M6*1*20 -8.8 SA4GS	4	YES	(ROHS) INTERCHANGE ABLE WITH 20003518AA	
16	SOLIS-26, SONALIKA-26	10053505AA	FAN BELT	1		INTERCHANGE ABLE WITH 10053505AB (ROHS)	
16	SOLIS-24	10053505AB	FAN BELT	1			
16	SOLIS-26, SONALIKA-26	10053505AB	FAN BELT	1	YES	(ROHS) INTERCHANGE ABLE WITH 10053505AA	

26120A-1/1

FRONT PANEL ASSY.

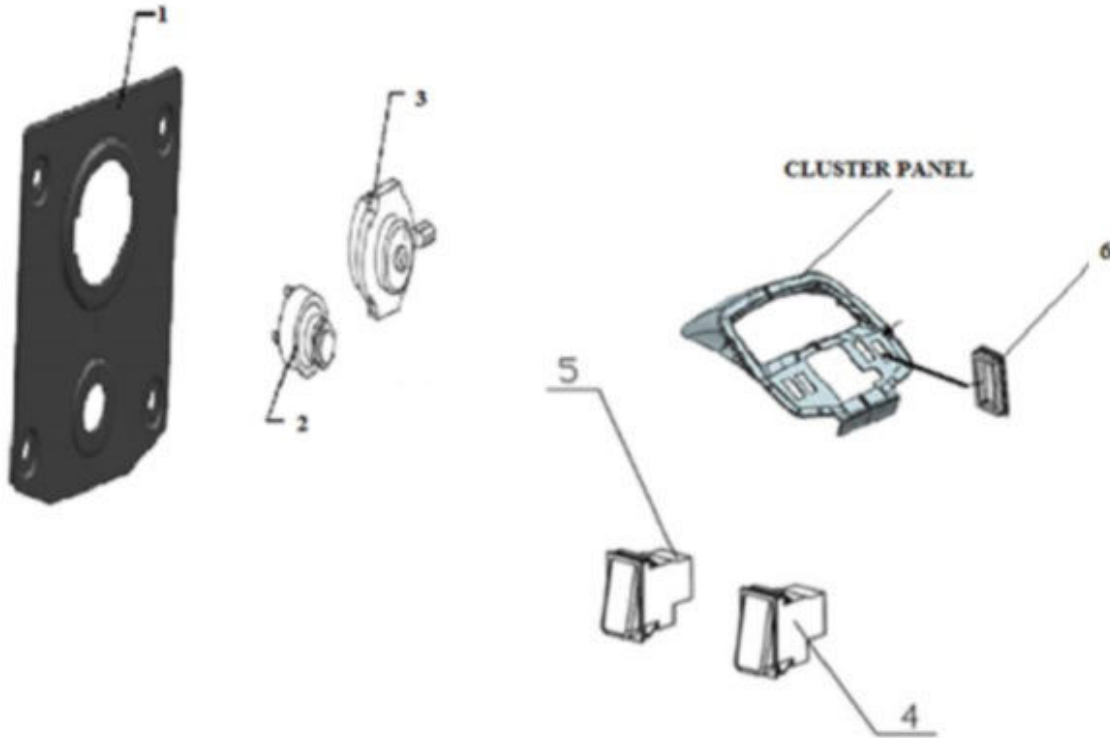


Sr.	Model	Item Code	Description	Qty	Int.	Remarks	Cut Off
1	SOLIS-26, SONALIKA-26	10053356AB	FRONT PANEL	1			
1	SOLIS-26, SONALIKA-26	10053356AE	FRONT PANEL	1			
1	SOLIS-26, SONALIKA-26	10053356AH	FRONT PANEL	1	YES		KMKST691855G 26D
1	SOLIS-24	10053356AF	FRONT PANEL	1			
2	SOLIS-26, SONALIKA-26	10029943BA	STARTER SWITCH	1			
2	SOLIS-26,SONALIKA-26	10029943BD	STARTER SWITCH	1	YES		KZVDF598195S 3
2	SOLIS-26, SONALIKA-26	10029943BC	STARTER SWITCH	1			
3	SOLIS-26, SONALIKA-26	10027175AB	COMBINATION SWITCH	1		INTERCHANGE ABLE WITH 10055477AA	

Sr.	Model	Item Code	Description	Qty	Int.	Remarks	Cut Off
						(ROHS)	
3	SOLIS-26, SONALIKA-26	11000600AA	COMBINATION SWITCH MODIFIED	1		10027175AC replaced by 11000600AA for export market	
3	SOLIS-26, SONALIKA-26	10055477AA	COMBINATION SWITCH	1		(ROHS) INTERCHANGEABLE WITH 10027175AB	
4	SOLIS-26, SONALIKA-26	10022277AA	HAZARD WARNING SWITCH	1		INTERCHANGEABLE WITH 10022277AC (ROHS)	
4	SOLIS-26, SONALIKA-26	10022277AC	HAZARD SWITCH	1	YES		AZCST628975S3
4	SOLIS-24	10022277AB	HAZARD WARNING SWITCH	1			
4	SOLIS-24	10022277AC	HAZARD SWITCH	1	YES		AZCST628975S3
4	SOLIS-26, SONALIKA-26	10022277AC	HAZARD WARNING SWITCH	1		(ROHS) INTERCHANGEABLE WITH 10022277AA	
5	SOLIS-26,SONALIKA-26 (ALL MODELS WITH ROPS)	10082879AA	REVOLVING LIGHT SWITCH	1		WITH ROPS	
6	SOLIS-26,SONALIKA-26 (ALL MODELS WITHOUT ROPS)	10024996AB	CLOSING CAP	1		WITHOUT ROPS	

26121A-1/1

FRONT PANEL ASSY.



Sr.	Model	Item Code	Description	Qty	Int.	Remarks	Cut Off
1	ALL MODELS	10057507AC	CENTER COVER DASHBOARD	1			
2	SOLIS-26 FACELIFT	10029943BC	STARTER SWITCH	1			
2	SOLIS-24 EPA	10055478AA	STARTER SWITCH	1			
2	SOLIS-26 FACELIFT	10029943BD	STARTER SWITCH	1	YES		KZVDF598195S 3
2	SONALIKA-26 FACELIFT	10029943BC	STARTER SWITCH	1			
3	SOLIS-26 FACELIFT	11000600AA	COMBINATION SWITCH MODIFIED	1		10027175AC replaced by 11000600AA for export market	
3	SOLIS-24 EPA	10055477AA	COMBINATION SWITCH	1			

Sr.	Model	Item Code	Description	Qty	Int.	Remarks	Cut Off
3	SONALIKA-26 FACELIFT	10027175AC	COMBINATION SWITCH	1			
4	ALL MODELS	10022277AC	HAZARD SWITCH	1			
5	SOLIS-26 FACELIFT	10082879AA	REVOLVING LIGHT SWITCH	1			
5	SONALIKA-26 FACELIFT	10082879AA	REVOLVING LIGHT SWITCH	1			
6	SOLIS-26 FACELIFT	10024996AB	CLOSING CAP	2			
6	SOLIS-24 EPA	10024996AC	CLOSING CAP	2			

Sr.	Model	Item Code	Description	Qty	Int.	Remarks	Cut Off
1	SOLIS-24 (ELECTRONIC)	10055134CA	HARNESS ASSY.	1			
2	SOLIS-26, SONALIKA-26	10051303AA	BATTERY	1			
2	SOLIS-26, SONALIKA-26	10055128AA	MAINTENANCE FREE BATTERY 12V, 65AH & 540	1	YES		KMGST689791G
2	SOLIS-24	10055128AA	MAINTENANCE FREE BATTERY 12V, 65AH & 540	1			
3	SOLIS-26, SONALIKA-26	10004210AC	BATTERY CABLE NEGATIVE	1		INTERCHANGEABLE WITH 10037169AA (ROHS)	
3	SOLIS-26, SONALIKA-26	10054365AA	BATTERY CABLE NEGATIVE	1			
3	SOLIS-24	10054365AB	BATTERY CABLE NEGATIVE	1			
3	SOLIS-26, SONALIKA-26, SOLIS-24	10012929AA	BATTERY CABLE -VE	1	YES		MEMBMKSF541727G26
3	SOLIS-26, SONALIKA-26	10037169AA	BATTERY CABLE NEGATIVE	1		(ROHS) INTERCHANGEABLE WITH 10004210AC	
4	SOLIS-26, SONALIKA-26	10053757AA	BATTERY CALBE POSITIVE	1			
4	SOLIS-26, SONALIKA-26	10054140AA	BATTERY CABLE POSITIVE	1			
4	SOLIS-26,SONALIKA-26 WITH ROPS	10036828AA	BATTER CABLE +VE	1	NO		MEMBMKSF541727G26
4	SOLIS-26,SONALIKA-26 WITH ROPS	10056650AA	BATTERY CABLE POSITIVE FOR GT-26	1	NO	MODELS WHERE 10053454AG IS USED	MEMBMKST610501G26
4	SOLIS-24	10054140AB	BATTERY CABLE POSITIVE	1			
4	SOLIS-24	10054140AB	BATTERY CABLE POSITIVE	1			
5	SOLIS-26, SONALIKA-26	10024999AA	HORN (E-MARK)	1		INTERCHANGEABLE WITH 10055476AA (ROHS)	
5	SOLIS-24	10055476AA	HORN (E-MARK)	1			
5	SOLIS-26, SONALIKA-26	10055476AA	HORN (E-MARK)	1	YES	(ROHS) INTERCHANGEABLE WITH 10024999AA	
6	SOLIS-26, SONALIKA-26	10071579AA	7 PIN SOCKET ASSY WITH GROMMET	1			
6	SOLIS-24	10036843AA	7 PIN SOCKET ASSY (SAE MARK)	1			
7	SOLIS-26, SONALIKA-26	20003188AA	SLOTTEED CHEESE HEAD SCREWS M5*40	3		INTERCHANGEABLE WITH 20005536AA (ROHS)	
7	SOLIS-24	20005536AA	SLOTTED CHEASE HEAD SCREW M5*40	3			
7	SOLIS-26, SONALIKA-26	20005536AA	SLOTTED CHEASE HEAD SCREW M5*40	3		(ROHS) INTERCHANGEABLE WITH 20003188AA	
8	SOLIS-26, SONALIKA-26, SOLIS-24	20003353AA	HEX NUT M5-8 SA3NS	3		INTERCHANGEABLE WITH 300028453A (ROHS)	

Sr.	Model	Item Code	Description	Qty	Int.	Remarks	Cut Off
8	SOLIS-26, SONALIKA-26, SOLIS-24	300028453A	HEX NUT M5-8 SA2JS	3		(ROHS) INTERCHANGE ABLE WITH 20003353AA	
9	SOLIS-26, SONALIKA-26	04030800006	M/CD WASHER DIA 6.4 *DIA 12.4*1.6	3			
9	SOLIS-24	20004941AB	M/CD WASHER DIA 6.4XDIA 12.4X1.6	3			
10	SOLIS-26, SONALIKA-26	10052731AC	ASSLY. ELECT. HR./RPM METER (CLUSTER)	1			
10	SOLIS-26, SONALIKA-26	300002115A	INSTRUMENT CLUSTER ASSEMBLY	1	YES		MEMGMKST634 652G26
10	SOLIS-24	10052731AD	ASSLY. ELECT. HR./RPM METER (CLUSTER)	1			
10	SOLIS-24	300002115A	INSTRUMENT CLUSTER ASSEMBLY	1	YES		MEMGMKST634 652G26
11	SOLIS-24	10036837BA	FLASHER	1			
11	SOLIS-26, SONALIKA-26	10004215AA	FLASHER UNIT ASSY.	1			
11	SOLIS-26, SONALIKA-26	10004215AB	FLASHER UNIT ASSY.	1	YES		MEMCZGFT698 312S3
12	SOLIS-26, SONALIKA-26	10004212AA	CLAMP	2			
13	SOLIS-26, SONALIKA-26	10004984AA	PLASTIC STRAP	2		INTERCHANGE ABLE WITH 10004984AB (ROHS)	
13	SOLIS-24	10004984AB	PLASTIC STRAP	2			
13	SOLIS-26, SONALIKA-26	10004984AB	PLASTIC STRAP	2	YES	(ROHS) INTERCHANGE ABLE WITH 10004984AA	
14	SOLIS-26, SONALIKA-26	10051241AA	RUBBER FLAP	2			
14	SOLIS-24	10055147AA	RUBBER FLAP	2			
15	SOLIS-26, SONALIKA-26	10053712AA	REGISTRATION PLATE W/O PAINT	1			
15	SOLIS-26, SONALIKA-26	10053712AD	REGISTRATION PLATE W/O PAINT	1			
15	SOLIS-26,SONALIKA-26 WITH ROPS	10053712AE	REGISTRATION PLATE W/O PAINT	1	YES	MODELS WHERE 10053454AG IS USED	MEMBMKST610 501G26
15	SOLIS-26,SONALIKA-26	10053713AD	REGISTRATION PLATE BLACK PAINT	1			
15	SOLIS-26,SONALIKA-26 WITH ROPS	10053713AE	REGISTRATION PLATE BLACK PAINT	1	YES	MODELS WHERE 10053454AG IS USED	MEMBMKST610 501G26
15	SOLIS-24	10055980AA	REGISTRATION PLATE FOR WT-24 EPA WITH	1			
15	SOLIS-24	10055979AA	REGISTRATION PLATE FOR WT-24 EPA W/O PA	1			
15	SOLIS-26,SONALIKA-26 WITH ROPS	10053713AE	REGISTRATION PLATE BLACK PAINT	1	YES	MODELS WHERE 10053454AG IS USED	MEMBMKST610 501G26
15	SOLIS-24	10055980AA	REGISTRATION PLATE FOR WT-24 EPA WITH	1			
15	SOLIS-24	10055979AA	REGISTRATION PLATE FOR WT-24 EPA W/O PA	1			

Sr.	Model	Item Code	Description	Qty	Int.	Remarks	Cut Off
16	SOLIS-26, SONALIKA-26	10004235AA	CLAMP	1		WITH WIRE HARNESS	
16	SOLIS-26, SONALIKA-26	10004235AB	CLAMP	1		WITH WIRE HARNESS, QTY INCREASE BY 1 FROM	MEMBMKSF536 425G26
16	SOLIS-24	20005634AA	CLAMP	1			
16	SOLIS-26, SONALIKA-26	20005634AA	CLAMP	1	YES	(ROHS) INTERCHANGEABLE WITH 10004235AB	
17	SOLIS-26, SONALIKA-26	10029943BA	STARTER SWITCH	1			
17	SOLIS-26, SONALIKA-26	10029943BC	STARTER SWITCH	1			
17	SOLIS-24	10055478AA	STARTER SWITCH	1			
17	SOLIS-26, SONALIKA-26	10029943BD	STARTER SWITCH	1	YES		KZVDF598195S 3
18	SOLIS-26, SONALIKA-26	10001893AB	HEAD LAMP ASSY LT HAND DRIVE (E-MARKED)	2		INTERCHANGEABLE WITH 10055873AA (ROHS)	
18	SOLIS-24	10055873AA	HEAD LIGHT ASSY. LHD	2			
18	SOLIS-26, SONALIKA-26	10055873AA	HEAD LIGHT ASSY. LHD	2		(ROHS) INTERCHANGEABLE WITH 10001893AB	
19	SOLIS-26, SONALIKA-26, SOLIS-24	10067783AA	LIGHT FOR REGISTRATION PLATE	1		INTERCHANGEABLE WITH 10067783AB (ROHS)	
19	SOLIS-26, SONALIKA-26, SOLIS-24	10067783AB	LIGHT FOR REGISTRATION PLATE	1		(ROHS) INTERCHANGEABLE WITH 10067783AA	
20	SOLIS-26,SONALIKA-26 (ALL MODELS WITH ROPS)	10054276AA	REVOLVING LIGHT (DETACHABLE REVOLVING LI	1		WITH ROPS	
20	SOLIS-26,SONALIKA-26 (ALL MODELS WITH ROPS)	10053765AA	REVOLVING LIGHT	1		WITH ROPS	
22	SOLIS-26, SONALIKA-26	33085038AA	PLASTIC STRAP LENGTH=390MM	1			
22	SOLIS-26, SONALIKA-26	10004984AA	PLASTIC STRAP	1		INTERCHANGEABLE WITH 10004984AB (ROHS)	
22	SOLIS-24	10004984AB	PLASTIC STRAP	1			
22	SOLIS-26, SONALIKA-26	10004984AB	PLASTIC STRAP	1	YES	(ROHS) INTERCHANGEABLE WITH 10004984AA	
23	SOLIS-26, SONALIKA-26	10004232AB	CLAMPING STRIP	1		INTERCHANGEABLE WITH 10057681AA (ROHS)	
23	SOLIS-24	10004232AC	CLAMPING STRIP	1			
23	SOLIS-26, SONALIKA-26	10057681AA	CLAMPING STRIP	1		(ROHS) INTERCHANGEABLE WITH	

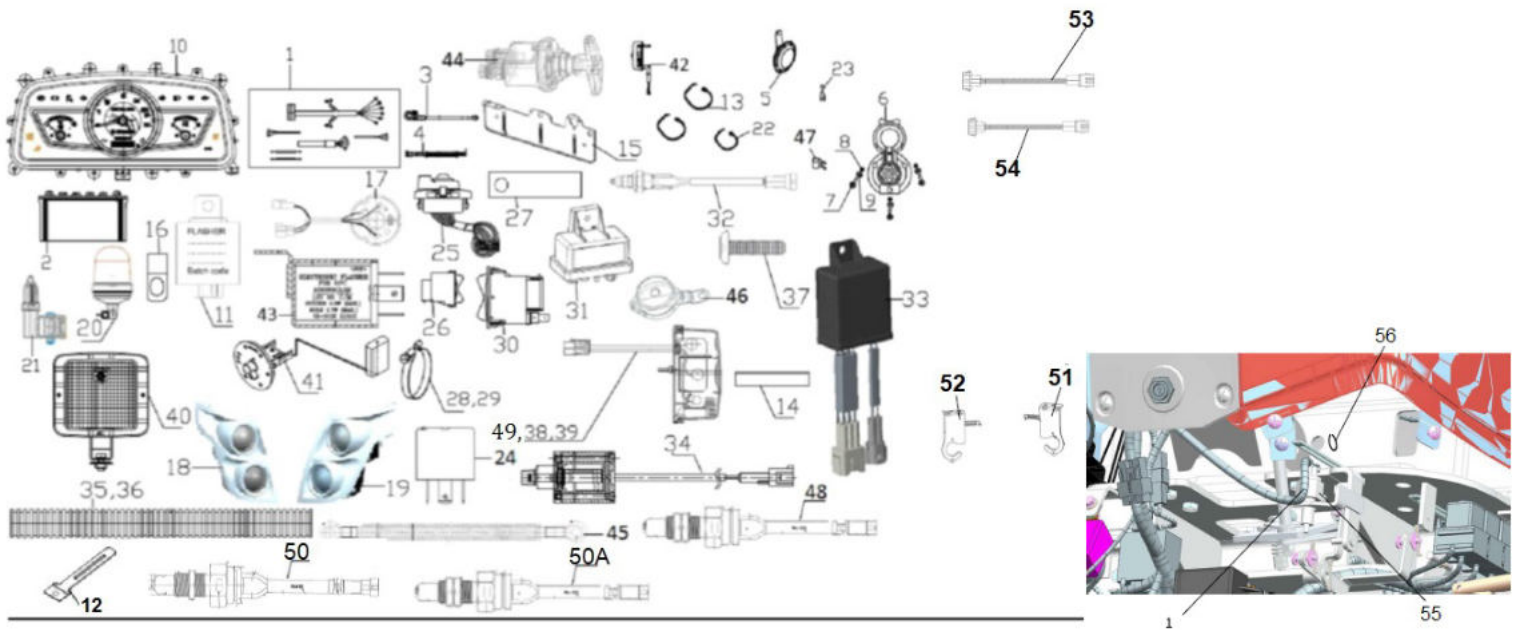
Sr.	Model	Item Code	Description	Qty	Int.	Remarks	Cut Off
						10004232AB	
24	SOLIS-26, SONALIKA-26	10024633AA	SEAL FRAME (FRONT LIGHTS)	2			
24	SOLIS-24	10024633AB	SEAL FRAME (FRONT LIGHTS)	2			
25	SOLIS-26, SONALIKA-26	10027175AB	COMBINATION SWITCH	1		INTERCHANGE ABLE WITH 10055477AA (ROHS)	
25	SOLIS-26, SONALIKA-26	11000600AA	COMBINATION SWITCH MODIFIED	1		10027175AC replaced by 11000600AA for export market	
25	SOLIS-24	10055477AA	COMBINATION SWITCH	1			
25	SOLIS-26, SONALIKA-26	10055477AA	COMBINATION SWITCH	1		(ROHS) INTERCHANGE ABLE WITH 10027175AB	
26	SOLIS-26, SONALIKA-26	10022277AA	HAZARD WARNING SWITCH	1		INTERCHANGE ABLE WITH 10022277AC (ROHS)	
26	SOLIS-26, SONALIKA-26	10022277AC	HAZARD SWITCH	1	YES		AZCST628975S 3
26	SOLIS-24	10022277AB	HAZARD WARNING SWITCH	1			
26	SOLIS-24	10022277AC	HAZARD SWITCH	1	YES		AZCST628975S 3
26	SOLIS-26, SONALIKA-26	10022277AC	HAZARD WARNING SWITCH	1		(ROHS) INTERCHANGE ABLE WITH 10022277AA	
27	SOLIS-26, SONALIKA-26	10004860AA	CLAMPING STRIP	2		QTY INCREASE BY 1 FROM	MEMBMKSF536 425G26
28	SOLIS-26, SONALIKA-26	20004171AA	HOSE WORM CLAMP DIA IS:4762	3		INTERCHANGE ABLE WITH 20004171AB (ROHS)	
28	SOLIS-24	20004171AB	HOSE WORM CLAMP DIA IS:4762	3			
28	SOLIS-26, SONALIKA-26	20004171AB	HOSE WORM CLAMP DIA IS: 4762	3		(ROHS) INTERCHANGE ABLE WITH 20004171AA	
29	SOLIS-26, SONALIKA-26	20004171AA	HOSE WORM CLAMP DIA IS:4762	2		INTERCHANGE ABLE WITH 20004171AB (ROHS)	
29	SOLIS-24	20004171AB	HOSE WORM CLAMP DIA IS:4762	2			
29	SOLIS-26, SONALIKA-26	20004171AB	HOSE WORM CLAMP DIA IS: 4762	2		(ROHS) INTERCHANGE ABLE WITH 20004171AA	
30	SOLIS-26,SONALIKA-26 (ALL MODELS WITH ROPS)	10082879AA	REVOLVING LIGHT SWITCH	1		WITH ROPS	
31	SOLIS-26, SONALIKA-26	10053458AA	GLOW CONTROL TIMER	1			
31	SOLIS-24	10053458AB	GLOW CONTROL TIMER	1			
32	SOLIS-26, SONALIKA-26,	10053758AA	CLUTCH SAFETY SWITCH	2		QTY DEC BY 1	MEMAMKSF550

Sr.	Model	Item Code	Description	Qty	Int.	Remarks	Cut Off
	SOLIS-24					FROM	458G26
32	SOLIS-26, SONALIKA-26, SOLIS-24	10053758AA	CLUTCH SAFETY SWITCH	1		QTY DEC BY 1 FROM	MEMAMKSF550 458G26
32	SOLIS-26, SONALIKA-26, SOLIS-24	10056627AA	CLUTCH SAFETY SWITCH	2	YES		MEMAMKSF550 458G26
32	SOLIS-26, SONALIKA-26, SOLIS-24	10067785AA	NEUTRAL SAFETY SWITCH	1	NO	INTERCHANGEABLE WITH 10055924AA (ROHS)	MMKST627394G 26D
32	SOLIS-26, SONALIKA-26, SOLIS-24	10055924AA	NEUTRAL SAFETY SWITCH	1	YES	(ROHS) INTERCHANGEABLE WITH 10067785AA	
33	SOLIS-26, SONALIKA-26	10053667AB	CONTROLLER TIMER	1			
33	SOLIS-26, SONALIKA-26	10053667AD	CONTROLLER TIMER	1	YES		MEMBMKST616 042G26
33	SOLIS-24 (ELECTRONIC)	10055457AA	CONVERTER (12VDC TO 5VDC)	1			
33	SOLIS-24 (DEFICIENCY)	10053667AC	CONTROLLER TIMER	1			
33	SOLIS-24 (DEFICIENCY)	10053667AD	CONTROLLER TIMER	1	YES		MEMBMKST616 042G26
34	SOLIS-26, SONALIKA-26	20001508AA	CLOGGING SENSOR	1			
34	SOLIS-24	20001508AE	CLOGGING SENSOR	1			
35	SOLIS-26, SONALIKA-26	10053719AA	SLIT CORRUGATED-TUBE (REGISTRATION PLATE	1			
35	SOLIS-26, SONALIKA-26	10053719AB	SLIT CORRUGATED-TUBE (REGISTRATION PLATE	1		INTERCHANGEABLE WITH 10053719AC (ROHS)	
35	SOLIS-24	10053719AC	SLIT CORRUGATED-TUBE (REGISTRATION PLATE	1			
35	SOLIS-26, SONALIKA-26	10053719AC	SLIT CORRUGATED-TUBE (REGISTRATION PLATE	1		(ROHS) INTERCHANGEABLE WITH 10053719AB	
36	SOLIS-26, SONALIKA-26	10053764AA	SLIT CORRUGATED-TUBE (CLOGGING SENSOR)	1		INTERCHANGEABLE WITH 10053764AB (ROHS)	
36	SOLIS-24	10053764AB	SLIT CORRUGATED-TUBE (CLOGGING SENSOR)	1			
36	SOLIS-26, SONALIKA-26	10053764AB	SLIT CORRUGATED-TUBE (CLOGGING SENSOR)	1	YES	(ROHS) INTERCHANGEABLE WITH 10053764AA	
37	SOLIS-26, SONALIKA-26	10053769AA	M5X27 BINDING COMBI M/C SCREW	2			
38	SOLIS-26, SONALIKA-26	10053748AA	FENDER FRONT LAMP ASSY	2		See Chapter no. 12	
38	SOLIS-26, SONALIKA-26	10053748AB	FENDER FRONT LAMP ASSY	2	YES	See Chapter no. 12	FMGSU495625G
38A	SOLIS-26,SONALIKA-26 WITH ROPS	10056759AA	FENDER FRONT LAMP ASSEMBLY	2	NO	MODELS WHERE 10053454AG IS USED	MEMBMKST610 501G26
38	SOLIS-24	10036838AA	FRONT LAMP (SAE MARK)	2		See Chapter no. 12	
38	SOLIS-24	10036838AA	FRONT LAMP (SAE MARK)	2		See Chapter no. 12	

Sr.	Model	Item Code	Description	Qty	Int.	Remarks	Cut Off
39	SOLIS-26, SONALIKA-26	10053747AA	FENDER TAIL LAMP ASSY	2		See Chapter no. 12	
39	SOLIS-26, SONALIKA-26	10053747AB	FENDER TAIL LAMP ASSY	2	YES	See Chapter no. 12	FMGSU495625G
39A	SOLIS-26,SONALIKA-26 WITH ROPS	10056758AA	FENDER TAIL LAMP ASSEMBLY	2	NO	MODELS WHERE 10053454AG IS USED	MEMBMKST610 501G26
39	SOLIS-24	10036751AA	HAZARD WARNING LAMP(SAE MARK)	4		See Chapter no. 12	
39	SOLIS-24	10036750AB	TAIL LIGHT(SAE MARK)	2		See Chapter no. 12	
39	SOLIS-24	10036750AB	TAIL LIGHT(SAE MARK)	2		See Chapter no. 12	
40	SOLIS-26, SONALIKA-26	10053746AA	PLOUGH LAMP	1			
40A	SOLIS-26,SONALIKA-26 WITH ROPS	10056760AA	PLOUGH LAMP ASSEMBLY	1	NO	MODELS WHERE 10053454AG IS USED	MEMBMKST610 501G26
40	SOLIS-24	10053746AB	PLOUGH LAMP	1			
40	SOLIS-24	10053746AB	PLOUGH LAMP	1			
41	SOLIS-26, SONALIKA-26	10053566AB	TANK UNIT FOR GT-26	1			
41	SOLIS-24	10053566AC	TANK UNIT FOR GT-26	1			
42	WITH 10053454AE	10055798AA	INTERMEDIATE HARNESS WITH DIODE	1		NOT SHOWN, CHILD PART OF 10053454AE	
43	WITH 10053454AG	20003354AB	HEX NUT M6 -8 SA2JS	1		NEW PART ADDED WITH 10053454AG HARNESS FROM	MEMBMKSF541 727G26
43	WITH 10053454AG	20003354AB	HEX NUT M6 -8 SA2JS	1		NEW PART ADDED WITH 10053454AG HARNESS FROM	MEMBMKSF541 727G26
43	SOLIS-24	20005491AA	HEX NUT M6 -8 SA4GS	1			
44	SOLIS-26, SONALIKA-26	20004866AA	CROSS SLOTTED TRUSS HEAD SCREW M6X12	2			
44A	SOLIS-26, SONALIKA-26	20003518AA	HEX FLANGE SCREW M6*1*20-8.8 SA2JS	2	YES	INTERCHANGEABLE WITH 20005541AA (ROHS)	MEMBMKSF541 727G26
44	SOLIS-26, SONALIKA-26	10057096AA	CROSS SLOTTED TRUSS HEAD SCREW M6X12 PRECOATED	2	YES		MEMMYEDT624 377WNT
44	SOLIS-24	20004866AB	CROSS SLOTTED TRUSS HEAD SCREW M6X12	2			
44A	SOLIS-26, SONALIKA-26	20005541AA	HEX FLANGE SCREW M6*1*20 -8.8 SA4GS	2	YES	(ROHS) INTERCHANGEABLE WITH 20003518AA	
45	SOLIS-26, SONALIKA-26	04030600006	PLAIN WASHER DIA 6.4 *DIA 18 *1.5	2		NEW PART ADDED WITH 10012929AA FROM	MEMBMKSF541 727G26
45	SOLIS-24	20005524AA	PLAIN WASHER A 6.4 IS:5370 STEEL	2			
46	SOLIS-26, SONALIKA-26	20003351AC	HEX NUT M6	1		PART ADDED WITH	MEMBMKSF541

Sr.	Model	Item Code	Description	Qty	Int.	Remarks	Cut Off
						10012929AA FROM	727G26
46	SOLIS-26, SONALIKA-26	20005491AA	HEX NUT M6 -8 SA4GS	1	YES	(ROHS) INTERCHANGE ABLE WITH 20003351AC	
47	SOLIS-26, SONALIKA-26	10029875AA	STAR WASHER DIA 8	1		NEW PART ADDED WITH 10012929AA FROM	MEMBMKSF541 727G26
48	SOLIS-26,SONALIKA-26	20004582AA	HEX HEAD SCREW M10X1.25X30 8.8 SA2JS	2		INTERCHANGE ABLE WITH 20005555AA (ROHS)	
48	SOLIS-26,SONALIKA-26 WITH ROPS	20004367AA	HEX SCREW M10X1.25X40 8-8 SA2JS	1	NO	MODELS WHERE 10053454AG IS USED	MEMBMKST610 501G26
48	SOLIS-26,SONALIKA-26	20004582AA	HEX HEAD SCREW M10X1.25X30 8.8 SA2JS	2		INTERCHANGE ABLE WITH 20005555AA (ROHS)	
48	SOLIS-26,SONALIKA-26 WITH ROPS	20004367AA	HEX SCREW M10X1.25X40 8-8 SA2JS	1	NO	MODELS WHERE 10053454AG IS USED	MEMBMKST610 501G26
48	SOLIS-26,SONALIKA-26	20005555AA	HEX HEAD SCREW M10X1.25X30 -8.8 SA4GS	2		(ROHS) INTERCHANGE ABLE WITH 20004582AA	
48	SOLIS-26,SONALIKA-26	20005555AA	HEX HEAD SCREW M10X1.25X30 -8.8 SA4GS	2		(ROHS) INTERCHANGE ABLE WITH 20004582AA	
49	SOLIS-26,SONALIKA-26 WITH ROPS	10007839AC	CLAMPING STRIP	2		MODELS WHERE 10053454AG IS USED,NEW PART ADDED WITH 10053454BA HARNESS FROM	MEMBMKST610 501G26
49	SOLIS-26,SONALIKA-26 WITH ROPS	10007839AC	CLAMPING STRIP	2		MODELS WHERE 10053454AG IS USED,NEW PART ADDED WITH 10053454BA HARNESS FROM	MEMBMKST610 501G26
50	SOLIS-26,SONALIKA-26 WITH ROPS	20004086AA	HEX NUT M10X1.25 -8 SA3NS	1		MODELS WHERE 10053454AG IS USED,NEW PART ADDED WITH 10053454BA HARNESS FROM	MEMBMKST610 501G26
50	SOLIS-26,SONALIKA-26 WITH ROPS	20004086AA	HEX NUT M10X1.25 -8 SA3NS	1		MODELS WHERE 10053454AG IS USED,NEW PART ADDED	MEMBMKST610 501G26

Sr.	Model	Item Code	Description	Qty	Int.	Remarks	Cut Off
						WITH 10053454BA HARNESS FROM	
51	SOLIS-26,SONALIKA-26 WITH ROPS	10004984AB	PLASTIC STRAP	2		MODELS WHERE 10053454AG IS USED,NEW PART ADDED WITH 10053454BA HARNESS FROM	MEMBMKST610 501G26
51	SOLIS-26,SONALIKA-26 WITH ROPS	10004984AB	PLASTIC STRAP	2		MODELS WHERE 10053454AG IS USED,NEW PART ADDED WITH 10053454BA HARNESS FROM	MEMBMKST610 501G26
52	SOLIS-26, SONALIKA-26	10057774AA	60A SLOW BLOW FUSE	1		Child Part of Harness code is 10053454AG AND 10053454BB	
53	SOLIS-24 WITH ELECTRONIC GOVERNOR	10055985AA	FLASHER MOUNTING BRACKET FOR WT-24	1			
53	SOLIS-24 WITH ELECTRONIC GOVERNOR	10055985AB	FLASHER MOUNTING BRACKET FOR WT-24	1	YES		MEMG412H3TH WS2027
54	SOLIS-24 WITH ELECTRONIC GOVERNOR	10086145AB	RUBBER PAD FOR FENDER SUPPORT BAR	1		NEW PART ADDED FROM	MEMG412H3TH WS2027



Sr.	Model	Item Code	Description	Qty	Int.	Remarks	Cut Off
1	SOLIS-26 FACELIFT	300023360B	HARNESS ASSY	1			
1	SOLIS-24 EPA	300026176A	HARNESS ASSY	1			
1	SOLIS-26 FACELIFT	300009619A	HARNESS ASSY	1			
1	SOLIS-26 FACELIFT	300009619B	HARNESS ASSY	1	NO	Following parts are (300009619A, 10057452AE, 10056153AA) interchangeable as a set with (300009619B, 10084733AA, 10004984AA, 10057452AH,	FOR NON EU MODELS-AMKSS837632G 26 FOR EU MODELS-MEMRMKSNSA KH04862

Sr.	Model	Item Code	Description	Qty	Int.	Remarks	Cut Off
						10056153AB)	
1	SONALIKA-26 FACELIFT	300009619B	HARNESS ASSY	1			
2	SOLIS-26 FACELIFT	10051303AA	BATTERY	1			
2	SOLIS-24 EPA	10055128AA	MAINTENANCE FREE BATTERY 12V, 65AH & 540	1			
3	SOLIS-26 FACELIFT	10004210AC	BATTERY CABLE NEGATIVE	1		INTERCHANGEABLE WITH 10037169AA (ROHS)	
3	SOLIS-24 EPA	10054365AB	BATTERY CABLE NEGATIVE	1			
3	SOLIS-26 FACELIFT	10037169AA	BATTERY CABLE NEGATIVE	1		(ROHS) INTERCHANGEABLE WITH 10004210AC	
3	SONALIKA-26 FACELIFT	10012929AA	BATTERY CABLE -VE	1			
4	SOLIS-26 FACELIFT	300008452A	BATTERY CABLE POSITIVE FOR GT - 26 EU	1			
4	SOLIS-24 EPA	10056650AA	BATTERY CABLE POSITIVE FOR GT-26	1			
4	SOLIS-24 EPA	300044293A	BATTERY CABLE POSITIVE	1	YES AS SET	THESE PARTS (10057451AB, 300023232A, 10056650AA, 10005405AB, 300023523A) ARE INTERCHANGEABLE AS A SET WITH (10057451AC, 300023232B, 300044293A, 10039219AA, 10087872AA, 10087873AA, 300044504A, 300044529A)	MEMG412H3GH WS2394
4	SONALIKA-26 FACELIFT	10056650AA	BATTERY CABLE POSITIVE FOR GT-26	1			
5	SOLIS-26 FACELIFT	10024999AA	HORN (E-MARK)	1		INTERCHANGEABLE WITH 10055476AA (ROHS)	
5	SOLIS-24 EPA	10055476AA	HORN (E-MARK)	1			
5	SOLIS-26 FACELIFT	10055476AA	HORN (E-MARK)	1	YES	(ROHS) INTERCHANGEABLE WITH 10024999AA	
5	SONALIKA-26 FACELIFT	10024999AA	HORN (E-MARK)	1			
6	SOLIS-26 FACELIFT	10071579AA	7 PIN SOCKET ASSY WITH GROMMET	1			
6	SOLIS-24 EPA	10036843AA	7 PIN SOCKET ASSY (SAE MARK)	1			
6	SONALIKA-26 FACELIFT	10071579AA	7 PIN SOCKET ASSY WITH GROMMET	1			
7	SOLIS-26 FACELIFT	20003188AA	SLOTTEED CHEESE HEAD SCREWS M5*40	3		INTERCHANGEABLE WITH 20005536AA (ROHS)	

Sr.	Model	Item Code	Description	Qty	Int.	Remarks	Cut Off
7	SOLIS-24 EPA	20005536AA	SLOTTED CHEESE HEAD SCREW M5*40	3			
7	SOLIS-26 FACELIFT	20005536AA	SLOTTED CHEESE HEAD SCREW M5*40	3		(ROHS) INTERCHANGE ABLE WITH 20003188AA	
7	SONALIKA-26 FACELIFT	20003188AA	SLOTTEED CHEESE HEAD SCREWS M5*40	3			
8	ALL MODELS	20003353AA	HEX NUT M5 -8 SA3NS	3		INTERCHANGE ABLE WITH 300028453A (ROHS)	
8	ALL MODELS	300028453A	HEX NUT M5-8 SA2JS	3		(ROHS) INTERCHANGE ABLE WITH 20003353AA	
9	SOLIS-26 FACELIFT	04030800006	M/CD WASHER DIA 6.4 *DIA 12.4*1.6	3			
9	SOLIS-24 EPA	20004941AB	M/CD WASHER DIA 6.4XDIA 12.4X1.6	3			
9	SONALIKA-26 FACELIFT	04030800006	M/CD WASHER DIA 6.4 *DIA 12.4*1.6	3			
10	ALL MODELS	10056595AB	INSTRUMENT CLUSTER ASSEMBLY	1			
11	SOLIS-26 FACELIFT	10085383AA	FLASHER UNIT ASSY.	1			
11	SOLIS-24 EPA	10036837BB	FLASHER	1			
11	SONALIKA-26 FACELIFT	10004215AB	FLASHER UNIT ASSY.	null			
12	SOLIS-26 FACELIFT	10004212AA	CLAMP	2			
13	ALL MODELS	10004984AA	PLASTIC STRAP	2		INTERCHANGE ABLE WITH 10004984AB (ROHS)	
13	ALL MODELS	10004984AB	PLASTIC STRAP	2	YES	(ROHS) INTERCHANGE ABLE WITH 10004984AA	
14	SOLIS-26 FACELIFT	10051241AA	RUBBER FLAP	2			
14	SOLIS-24 EPA	10055147AA	RUBBER FLAP	2			
14	SONALIKA-26 FACELIFT	10051241AA	RUBBER FLAP	2			
15	ALL MODELS	10053712AA	REGISTRATION PLATE W/O PAINT	1			
16	ALL MODELS	10004235AA	CLAMP	1			
17	SOLIS-26 FACELIFT	10029943BA	STARTER SWITCH	1			
17	SOLIS-24 EPA	10055478AA	STARTER SWITCH	1			
17	SONALIKA-26 FACELIFT	10029943BC	STARTER SWITCH	1			
18	SOLIS-26 FACELIFT	10057644AB	HEAD LAMP (LHD) RH	1		FOR LEFT HAND DRIVE MODELS	
18	SOLIS-26 FACELIFT	10057646AB	HEAD LAMP (RHD) RH	1		FOR RIGHT HAND DRIVE MODELS	
18	SOLIS-24 EPA	300011201A	HEAD LAMP (LHD) SAE MARK-RH	1			
18	SONALIKA-26 FACELIFT	10057644AB	HEAD LAMP (LHD) RH	1		FOR LEFT HAND DRIVE	

Sr.	Model	Item Code	Description	Qty	Int.	Remarks	Cut Off
						MODELS	
19	SOLIS-26 FACELIFT	10057643AB	HEAD LAMP (LHD) LH	1		FOR LEFT HAND DRIVE MODELS	
19	SOLIS-26 FACELIFT	10057645AB	HEAD LAMP (RHD) LH	1		FOR RIGHT HAND DRIVE MODELS	
19	SOLIS-24 EPA	300011202A	HEAD LAMP (LHD) SAE MARK-LH	1			
19	SONALIKA-26 FACELIFT	10057643AB	HEAD LAMP (LHD) LH	1		FOR LEFT HAND DRIVE MODELS	
20	SOLIS-26 FACELIFT	10054276AA	REVOLVING LIGHT (DETACHABLE TYPE)	1			
20	SONALIKA-26 FACELIFT	10057344AA	REVOLVING LIGHT	1			
21	SOLIS-26 FACELIFT	10054277AA	MOUNTING BRACKET REVOLVING LIGHT	1			
21	SONALIKA-26 FACELIFT	10057345AA	BRACKET FOR REVOLVING LIGHT	1			
22	SOLIS-26 FACELIFT	33085038AA	PLASTIC STRAP LENGTH=390mm	1			
22	SONALIKA-26 FACELIFT	33085038AA	PLASTIC STRAP LENGTH=390mm	1			
23	SOLIS-26 FACELIFT	10004232AB	CLAMPING STRIP	1		INTERCHANGEABLE WITH 10057681AA (ROHS)	
23	SOLIS-26 FACELIFT	10057681AA	CLAMPING STRIP	1		(ROHS) INTERCHANGEABLE WITH 10004232AB	
23	SONALIKA-26 FACELIFT	10004232AB	CLAMPING STRIP	1			
24	SOLIS-26 FACELIFT	10017954AA	MAIN RELAY-CRDI-75	5			
24	SOLIS-24 EPA	10017954AA	MAIN RELAY-CRDI-75	6			
24	SONALIKA-26 FACELIFT	10017954AA	MAIN RELAY-CRDI-75	5			
25	SOLIS-26 FACELIFT	11000600AA	COMBINATION SWITCH MODIFIED	1		10027175AC replaced by 11000600AA for export market	
25	SOLIS-24 EPA	10055477AA	COMBINATION SWITCH	1			
25	SONALIKA-26 FACELIFT	10027175AC	COMBINATION SWITCH	1			
26	ALL MODELS	10022277AA	HAZARD WARNING SWITCH	1		INTERCHANGEABLE WITH 10022277AC (ROHS)	
26	ALL MODELS	10022277AC	HAZARD WARNING SWITCH	1		(ROHS) INTERCHANGEABLE WITH 10022277AA	
27	SOLIS-26 FACELIFT	10004860AA	CLAMPING STRIP	2		INTERCHANGEABLE WITH 10004860AC (ROHS)	
27	SOLIS-26 FACELIFT	10004860AC	CLAMPING STRIP	2		(ROHS) INTERCHANGEABLE WITH 10004860AA	

Sr.	Model	Item Code	Description	Qty	Int.	Remarks	Cut Off
27	SONALIKA-26 FACELIFT	10004860AA	CLAMPING STRIP	2			
28	SOLIS-26 FACELIFT	20004171AA	HOSE WORM CLAMP DIA IS:4762	3		INTERCHANGEABLE WITH 20004171AB (ROHS)	
28	SOLIS-24 EPA	20004171AB	HOSE WORM CLAMP DIA IS:4762	3			
28	SOLIS-26 FACELIFT	20004171AB	HOSE WORM CLAMP DIA IS: 4762	3		(ROHS) INTERCHANGEABLE WITH 20004171AA	
28	SONALIKA-26 FACELIFT	20004171AA	HOSE WORM CLAMP DIA IS:4762	3			
29	SOLIS-26 FACELIFT	20004171AA	HOSE WORM CLAMP DIA IS:4762	2		INTERCHANGEABLE WITH 20004171AB (ROHS)	
29	SOLIS-24 EPA	20004171AB	HOSE WORM CLAMP DIA IS:4762	2			
29	SOLIS-26 FACELIFT	20004171AB	HOSE WORM CLAMP DIA IS: 4762	2		(ROHS) INTERCHANGEABLE WITH 20004171AA	
29	SONALIKA-26 FACELIFT	20004171AA	HOSE WORM CLAMP DIA IS:4762	2			
30	SOLIS-26 FACELIFT	10082879AA	REVOLVING LIGHT SWITCH	1			
30	SONALIKA-26 FACELIFT	10082879AA	REVOLVING LIGHT SWITCH	1			
31	ALL MODELS	10053458AA	GLOW CONTROL TIMER	1			
32	ALL MODELS	10053758AA	CLUTCH SAFETY SWITCH	1			
33	SOLIS-26 FACELIFT	10096602AA	SAFETY CONTROLLER FOR ENGINE SHUT-OFF	1			
33	SOLIS-24 EPA	10055457AA	CONVERTER (12VDC TO 5VDC)	1			
34	ALL MODELS	20001508AA	CLOGGING SENSOR	1			
35	SOLIS-26 FACELIFT	10053719AA	SLIT CORRUGATED-TUBE (REGISTRATION PLATE	1			
35	SOLIS-24 EPA	10053719AC	SLIT CORRUGATED-TUBE (REGISTRATION PLATE	1			
36	SOLIS-26 FACELIFT	10053764AA	SLIT CORRUGATED-TUBE (CLOGGING SENSOR)	1		INTERCHANGEABLE WITH 10053764AB (ROHS)	
36	SOLIS-24 EPA	10053764AB	SLIT CORRUGATED-TUBE (CLOGGING SENSOR)	1			
36	SOLIS-26 FACELIFT	10053764AB	SLIT CORRUGATED-TUBE (CLOGGING SENSOR)	1	YES	(ROHS) INTERCHANGEABLE WITH 10053764AA	
36	SONALIKA-26 FACELIFT	10053764AA	SLIT CORRUGATED-TUBE (CLOGGING SENSOR)	1			
37	ALL MODELS	10053769AA	M5X27 BINDING COMBI M/C SCREW	2			
38	SOLIS-26 FACELIFT	10056759AA	FENDER FRONT LAMP ASSY	2		INTERCHANGEABLE WITH 10056759AB (ROHS)	
38	SOLIS-24 EPA	10036838AA	FRONT LAMP (SAE MARK)	2			
38	SOLIS-26 FACELIFT	10056759AB	FENDER FRONT LAMP ASSEMBLY	2		(ROHS) INTERCHANGE	

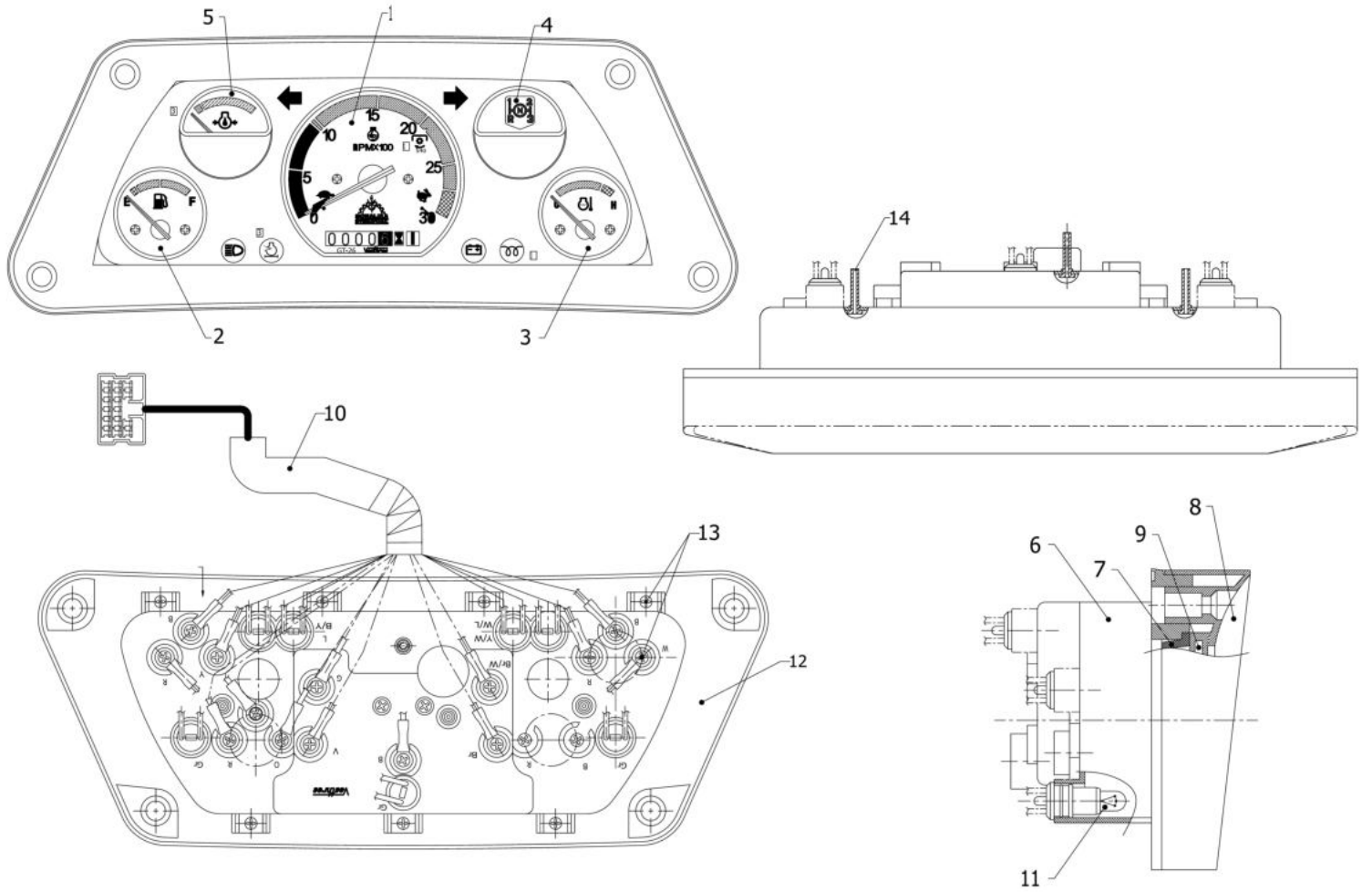
Sr.	Model	Item Code	Description	Qty	Int.	Remarks	Cut Off
						ABLE WITH 10056759AA	
38	SONALIKA-26 FACELIFT	10056759AA	FENDER FRONT LAMP ASSY	2			
39	SOLIS-26 FACELIFT	10056758AA	FENDER TAIL LAMP ASSY	2		INTERCHANGE ABLE WITH 10056758AB (ROHS)	
39	SOLIS-24 EPA	10036750AB	TAIL LIGHT(SAE MARK)	2			
39	SOLIS-26 FACELIFT	10056758AB	FENDER TAIL LAMP ASSEMBLY	2		(ROHS) INTERCHANGE ABLE WITH 10056758AA	
39	SONALIKA-26 FACELIFT	10056758AA	FENDER TAIL LAMP ASSY	2			
40	ALL MODELS	300007651A	PLOUGH LAMP ASSEMBLY	1			
41	ALL MODELS	10057723AA	TANK UNIT	1			
42	ALL MODELS	10067783AA	LIGHT FOR REGISTRATION PLATE	1		INTERCHANGE ABLE WITH 10067783AB (ROHS)	
42	ALL MODELS	10067783AB	LIGHT FOR REGISTRATION PLATE	1		(ROHS) INTERCHANGE ABLE WITH 10067783AA	
43	SOLIS-26 FACELIFT	10096601AA	FLASHER UNIT FOR OPC	1		INTERCHANGE ABLE WITH 10096601AB (ROHS)	
43	SOLIS-26 FACELIFT	10096601AB	FLASHER UNIT FOR OPC	1		(ROHS) INTERCHANGE ABLE WITH 10096601AA	
44	SOLIS-26 FACELIFT	10068549AA	BATTERY CUT-OFF SWITCH	1			
45	SOLIS-26 FACELIFT	300008489A	BATTERY CABLE POSITIVE FROM STARTER TO CUT-OFF SWITCH	1			
46	SOLIS-26 FACELIFT	10087339AA	BUZZER ASSY.(CONTINUOUS BEEPING)	1			
46	SOLIS-26 FACELIFT	10087339AB	BUZZER ASSY.(CONTINUOUS BEEPING)	1	YES		FOR NON EU MODELS- MYEDS830597 WNT FOR EU MODELS- MEMRMKSNSM KH04346
47	ALL MODELS	10024780AB	CLAMP (RADIATOR)	5		INTERCHANGE ABLE WITH 10039275AA (ROHS)	
47	ALL MODELS	10039275AA	CLAMP (RADIATOR)	5	YES	(ROHS) INTERCHANGE ABLE WITH 10024780AB	
48	ALL MODELS	10056627AB	CLUTCH SAFETY SWITCH	1			
48	SONALIKA-26 FACELIFT	10053758AA	CLUTCH SAFETY SWITCH	1			
49	SOLIS-24 EPA	10036751AA	HAZARD WARNING LAMP(SAE MARK)	2			

Sr.	Model	Item Code	Description	Qty	Int.	Remarks	Cut Off
50	SOLIS-26 FACELIFT	10056627AA	CLUTCH SAFETY SWITCH	1			
50A	SOLIS-26 FACELIFT	10056627AB	CLUTCH SAFETY SWITCH	1	YES		FOR NON EU MODEL-CMGSG803112 G, FOR EU MODELS-MEMRMGSNSC JH03450
51	SOLIS-24 EPA	10087872AA	FRONT LAMP MTG BKT LH (W/O PAINT)	1		THESE PARTS (10057451AB, 300023232A, 10056650AA, 10005405AB, 300023523A) ARE INTERCHANGEABLE AS A SET WITH (10057451AC, 300023232B, 300044293A, 10039219AA, 10087872AA, 10087873AA, 300044504A, 300044529A)	MEMG412H3GH WS2394
52	SOLIS-24 EPA	10087873AA	FRONT LAMP MTG BKT RH (W/O PAINT)	1		THESE PARTS (10057451AB, 300023232A, 10056650AA, 10005405AB, 300023523A) ARE INTERCHANGEABLE AS A SET WITH (10057451AC, 300023232B, 300044293A, 10039219AA, 10087872AA, 10087873AA, 300044504A, 300044529A)	MEMG412H3GH WS2394
53	SOLIS-24 EPA	300044504A	PIG TAIL HARNESS RH	1		THESE PARTS (10057451AB, 300023232A, 10056650AA, 10005405AB, 300023523A) ARE INTERCHANGEABLE AS A SET WITH (10057451AC, 300023232B, 300044293A, 10039219AA, 10087872AA, 10087873AA, 300044504A, 300044529A)	MEMG412H3GH WS2394
54	SOLIS-24 EPA	300044529A	PIG TAIL HARNESS LH	1		THESE PARTS (10057451AB, 300023232A,	MEMG412H3GH WS2394

Sr.	Model	Item Code	Description	Qty	Int.	Remarks	Cut Off
						10056650AA, 10005405AB, 300023523A) ARE INTERCHANGE ABLE AS A SET WITH (10057451AC, 300023232B, 300044293A, 10039219AA, 10087872AA, 10087873AA, 300044504A, 300044529A)	
55	SOLIS-26 FACELIFT	10084733AA	SAFETY SWITCH	1		Following parts are (300009619A, 10057452AE, 10056153AA) interchangeable as a set with (300009619B, 10084733AA, 10004984AA, 10057452AH, 10056153AB)	FOR NON EU MODELS- AMKSS837632G 26 FOR EU MODELS- MEMRMKSNSA KH04862
55	SONALIKA-26 FACELIFT	10084733AA	SAFETY SWITCH	1			
56	SOLIS-26 FACELIFT	10004984AA	PLASTIC STRAP	1		Following parts are (300009619A, 10057452AE, 10056153AA) interchangeable as a set with (300009619B, 10084733AA, 10004984AA, 10057452AH, 10056153AB)	FOR NON EU MODELS- AMKSS837632G 26 FOR EU MODELS- MEMRMKSNSA KH04862
56	SONALIKA-26 FACELIFT	10004984AA	PLASTIC STRAP	1			

26140A-1/1

CLUSTER ASSY.



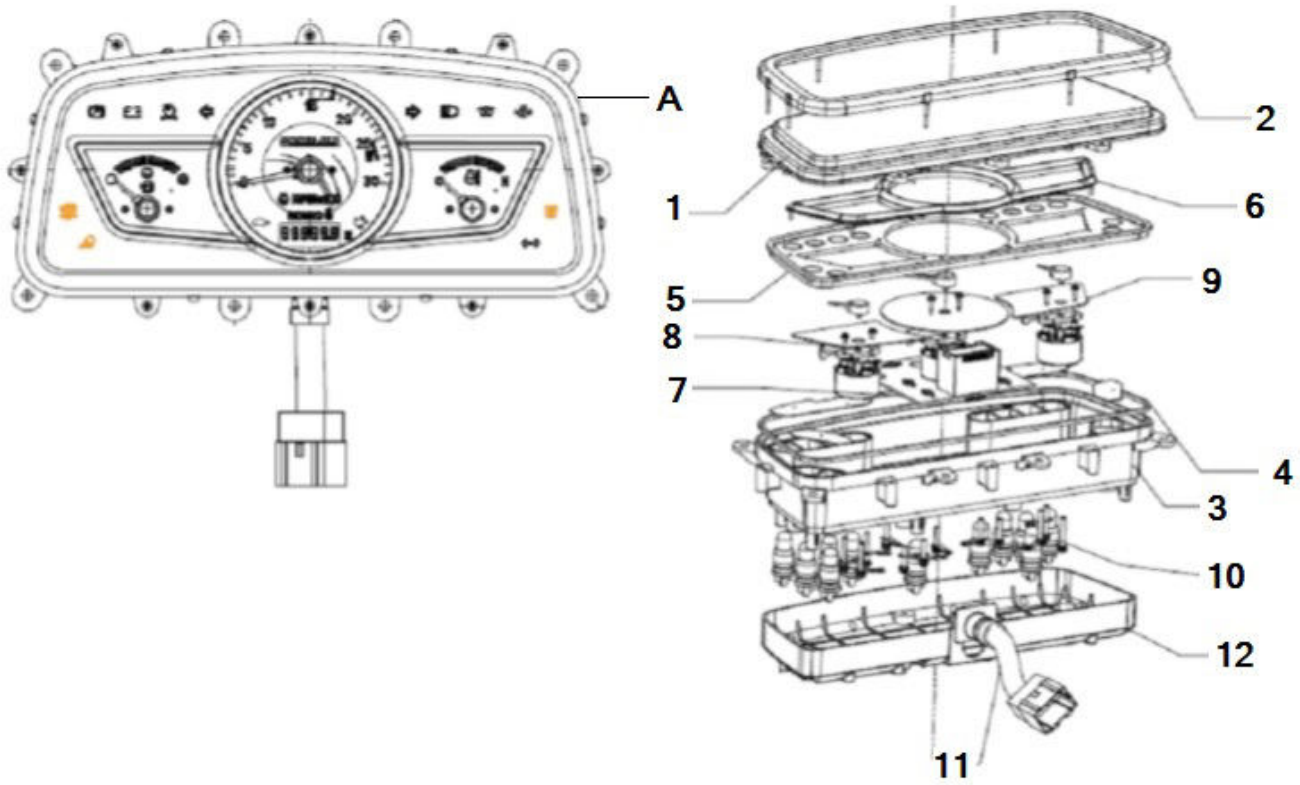
Sr.	Model	Item Code	Description	Qty	Int.	Remarks	Cut Off
A	SOLIS-26, SONALIKA-26	10052731AC	ASSLY. ELECT. HR./RPM METER (CLUSTER)	1		ASSY.	
A	SOLIS-26, SONALIKA-26	300002115A	INSTRUMENT CLUSTER ASSEMBLY	1	YES		MEMGMKST634 652G26
A	SOLIS-24	10052731AD	ASSLY. ELECT. HR./RPM METER (CLUSTER)	1			
A	SOLIS-24	300002115A	INSTRUMENT CLUSTER ASSEMBLY	1	YES		MEMGMKST634 652G26
1	SOLIS-26, SONALIKA-26, SOLIS-24	10051406AB	ASSY ELEC. HR./RPM METER	1		CHILD PARTS OF CLUSTER ASSY- 10052731AC	
1	SOLIS-26, SONALIKA-26, SOLIS-24	300002116A	ASSY ELEC. HR./RPM METER	1		CHILD PARTS OF CLUSTER ASSY- 300002115A	

Sr.	Model	Item Code	Description	Qty	Int.	Remarks	Cut Off
2	SOLIS-26, SONALIKA-26, SOLIS-24	10051407AA	ASSLY. FUEL GAUGE	1		S.NO.1 TO 14 ARE CHILD PARTS OF CLUSTER ASSY- 10052731AC AND 300002115A	
3	SOLIS-26, SONALIKA-26, SOLIS-24	10051408AA	ASSLY. ELECT. TEMP. GAUGE	1		S.NO.1 TO 14 ARE CHILD PARTS OF CLUSTER ASSY- 10052731AC AND 300002115A	
4	SOLIS-26, SONALIKA-26, SOLIS-24	10051409AA	GEAR SEQUENCING MONOGRAM	1		S.NO.1 TO 14 ARE CHILD PARTS OF CLUSTER ASSY- 10052731AC AND 300002115A	
5	SOLIS-26, SONALIKA-26, SOLIS-24	10011921AA	ASSLY. EOPG.	1		S.NO.1 TO 14 ARE CHILD PARTS OF CLUSTER ASSY- 10052731AC AND 300002115A	
6	SOLIS-26, SONALIKA-26, SOLIS-24	10051411AA	CASE (CLUSTER HOUSING)	1		S.NO.1 TO 14 ARE CHILD PARTS OF CLUSTER ASSY- 10052731AC AND 300002115A	
7	SOLIS-26, SONALIKA-26, SOLIS-24	10051412AA	BEZEL	1		S.NO.1 TO 14 ARE CHILD PARTS OF CLUSTER ASSY- 10052731AC AND 300002115A	
8	SOLIS-26, SONALIKA-26, SOLIS-24	10051413AA	PANEL	1		S.NO.1 TO 14 ARE CHILD PARTS OF CLUSTER ASSY- 10052731AC AND 300002115A	
9	SOLIS-26, SONALIKA-26, SOLIS-24	10051414AA	GLASS	1		S.NO.1 TO 14 ARE CHILD PARTS OF CLUSTER ASSY- 10052731AC AND 300002115A	
10	SOLIS-26, SONALIKA-26, SOLIS-24	10051415AA	WIRE HARNESS	1		S.NO.1 TO 14 ARE CHILD PARTS OF	

Sr.	Model	Item Code	Description	Qty	Int.	Remarks	Cut Off
						CLUSTER ASSY- 10052731AC AND 300002115A	
11	SOLIS-26, SONALIKA-26, SOLIS-24	10051416AA	LAMP (GEN. ILLU.) & WARNING INDICATORS	7		S.NO.1 TO 14 ARE CHILD PARTS OF CLUSTER ASSY- 10052731AC AND 300002115A	
12	SOLIS-26, SONALIKA-26, SOLIS-24	10051417AA	SEALING RING	1		S.NO.1 TO 14 ARE CHILD PARTS OF CLUSTER ASSY- 10052731AC AND 300002115A	
13	SOLIS-26, SONALIKA-26, SOLIS-24	10051418AA	FITMENT KIT	-		S.NO.1 TO 14 ARE CHILD PARTS OF CLUSTER ASSY- 10052731AC AND 300002115A	
14	SOLIS-26, SONALIKA-26	10051421AA	VENT TUBE	3		S.NO.1 TO 14 ARE CHILD PARTS OF CLUSTER ASSY- 10052731AC AND 300002115A	
14	SOLIS-26, SONALIKA-26, SOLIS-24	10051421AA	VENT TUBE	3		S.NO.1 TO 14 ARE CHILD PARTS OF CLUSTER ASSY- 10052731AC AND 300002115A	

26141A-1/1

CLUSTER ASSY.

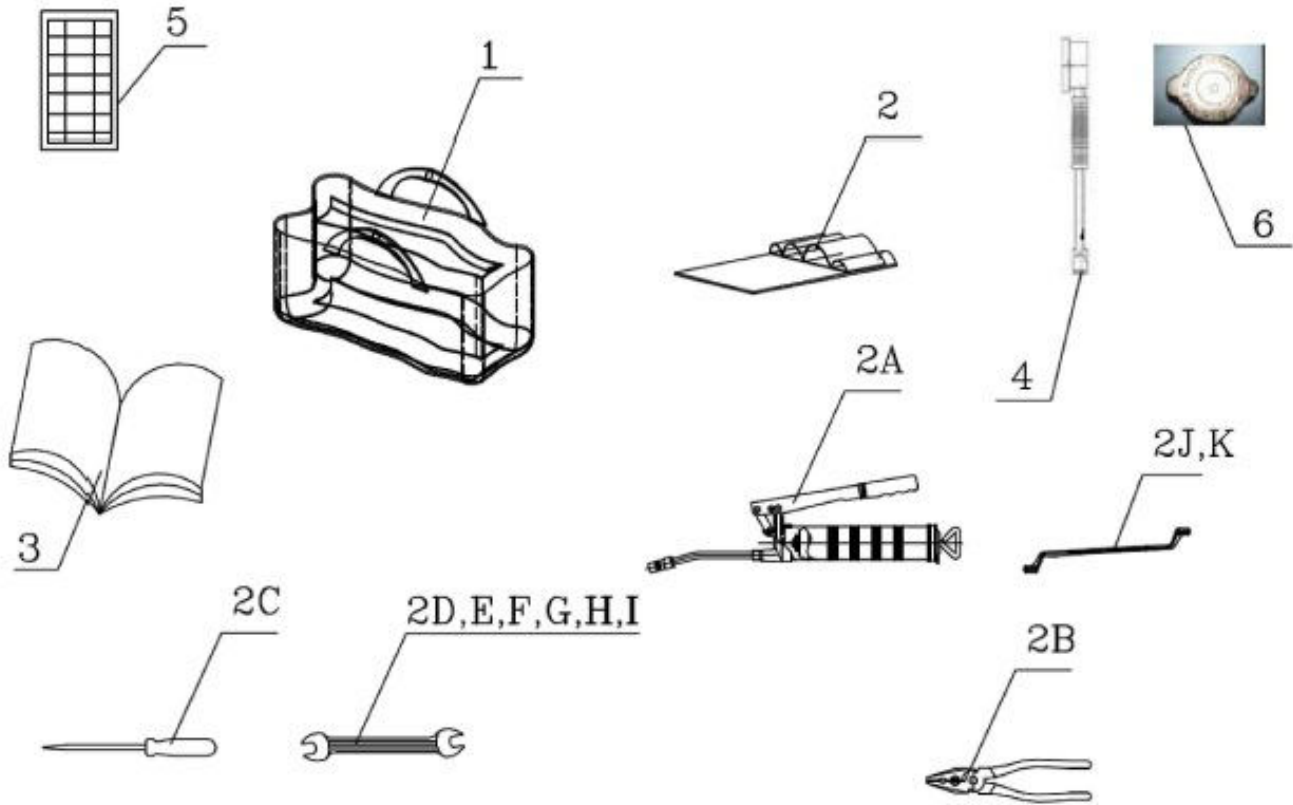


Sr.	Model	Item Code	Description	Qty	Int.	Remarks	Cut Off
A	ALL MODELS	10056595AB	INSTRUMENT CLUSTER ASSEMBLY	1		ASSY.	
1	ALL MODELS	300001709A	CRYSTAL	1		CLUSTER CHILD PART	
2	ALL MODELS	300001710A	OUTER SEALING RING	1		CLUSTER CHILD PART	
3	ALL MODELS	300001711A	HOUSING	1		CLUSTER CHILD PART	
4	ALL MODELS	300005857A	INNER SEALING RING	1		CLUSTER CHILD PART	
5	ALL MODELS	300001716A	FACIA	1		CLUSTER CHILD PART	
6	ALL MODELS	300001733A	BEZEL	1		CLUSTER CHILD PART	
7	ALL MODELS	300005854A	RPM METER ASSEMBLY	1		CLUSTER CHILD PART	

Sr.	Model	Item Code	Description	Qty	Int.	Remarks	Cut Off
8	ALL MODELS	300001720A	FUEL GAUGE ASSEMBLY	1		CLUSTER CHILD PART	
9	ALL MODELS	300001723A	TEMPRATURE GAUGE ASSEMBLY	1		CLUSTER CHILD PART	
10	ALL MODELS	300005855A	BULB T10(WEDGE BASED)	1		CLUSTER CHILD PART	
11	ALL MODELS	300005871A	WIRING HARNESS	1		CLUSTER CHILD PART	
12	ALL MODELS	300001726A	BACK COVER	1		CLUSTER CHILD PART	

27110A-1/1

ACCESSORIES



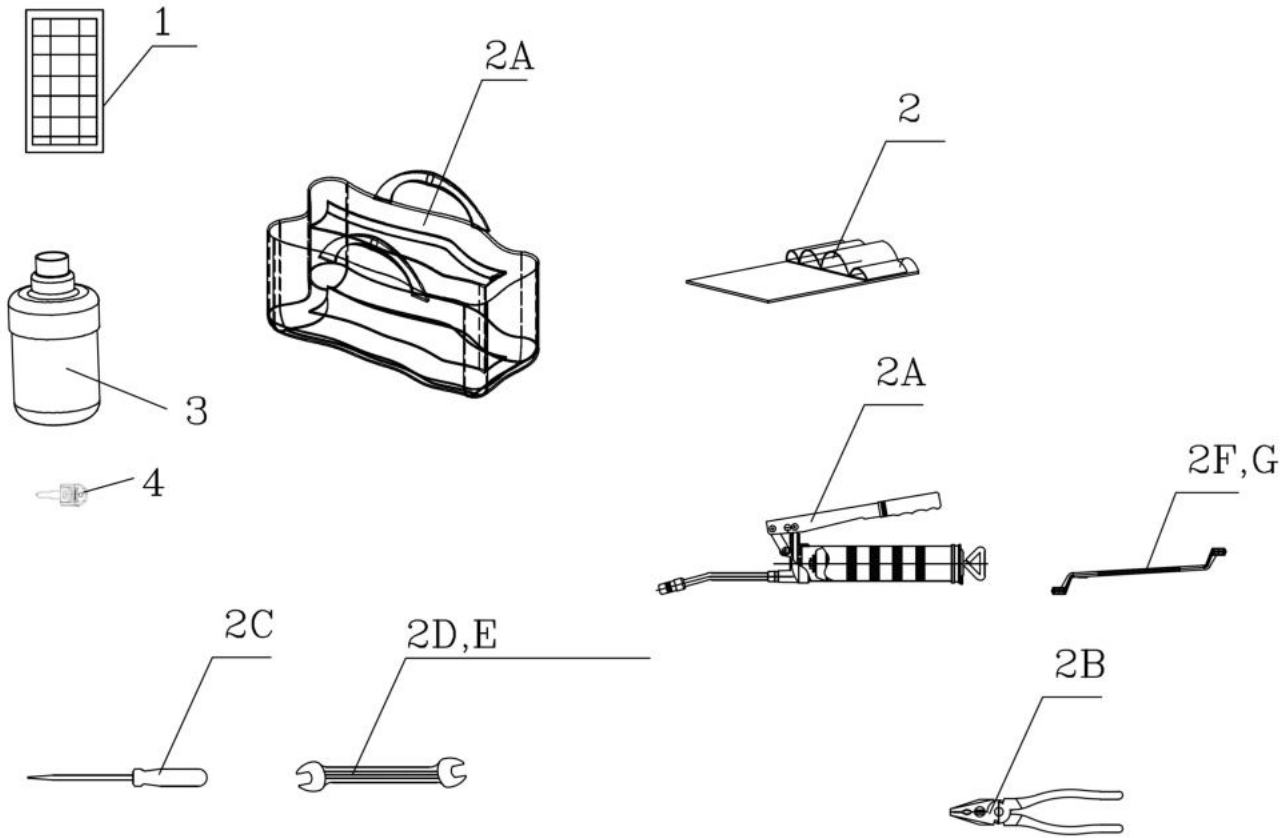
Sr.	Model	Item Code	Description	Qty	Int.	Remarks	Cut Off
1	SOLIS-26,SONALIKA-26	042100905AA	TOOL KIT BAG (EMPTY)	1		INTERCHANGE ABLE WITH 20005037AA (ROHS)	
1	SOLIS-24	20005037AA	TOOL KIT BAG (EMPTY)	1			
1	SOLIS-26,SONALIKA-26	20005037AA	TOOL KIT BAG (EMPTY)	1		(ROHS) INTERCHANGE ABLE WITH 042100905AA	
2	SOLIS-26,SONALIKA-26	10027169AA	HAND TOOL KIT	1		INTERCHANGE ABLE WITH 10027169AC (ROHS)	
2	SOLIS-24	10036112AA	HAND TOOL KIT	1			

Sr.	Model	Item Code	Description	Qty	Int.	Remarks	Cut Off
2(A)	SOLIS-26,SONALIKA-26	20002841AB	GREASE GUN	1		S.NO. 2 INCLUDES S. NO.2(A) TO 2 (K), Not Serviceable part	
2(B)	SOLIS-26,SONALIKA-26, SOLIS-24	20002843AA	CUTTER PLIER 7	1		S.NO. 2 INCLUDES S. NO.2(A) TO 2 (K), Not Serviceable part	
2(C)	SOLIS-26,SONALIKA-26, SOLIS-24	20002844AA	SCREW DRIVER 5	1		S.NO. 2 INCLUDES S. NO.2(A) TO 2 (K), Not Serviceable part	
2(D)	SOLIS-26,SONALIKA-26, SOLIS-24	20002845AA	D-SPANNER 30X32	1		S.NO. 2 INCLUDES S. NO.2(A) TO 2 (K), Not Serviceable part	
2(E)	SOLIS-26,SONALIKA-26, SOLIS-24	20002846AA	D-SPANNER 10X11	1		S.NO. 2 INCLUDES S. NO.2(A) TO 2 (K), Not Serviceable part	
2(F)	SOLIS-26,SONALIKA-26, SOLIS-24	20002847AA	D-SPANNER 12X13	1		S.NO. 2 INCLUDES S. NO.2(A) TO 2 (K), Not Serviceable part	
2(G)	SOLIS-26,SONALIKA-26, SOLIS-24	20002848AA	D-SPANNER 14X17	1		S.NO. 2 INCLUDES S. NO.2(A) TO 2 (K), Not Serviceable part	
2(H)	SOLIS-26,SONALIKA-26, SOLIS-24	20002849AA	D-SPANNER 18X19	1		S.NO. 2 INCLUDES S. NO.2(A) TO 2 (K), Not Serviceable part	
2(I)	SOLIS-26,SONALIKA-26, SOLIS-24	20002850AA	D-SPANNER 20X22	1		S.NO. 2 INCLUDES S. NO.2(A) TO 2 (K), Not Serviceable part	
2(J)	SOLIS-26,SONALIKA-26, SOLIS-24	20002851AA	RING SPANNER 16X17	1		S.NO. 2 INCLUDES S. NO.2(A) TO 2 (K), Not Serviceable part	
2(K)	SOLIS-26,SONALIKA-26, SOLIS-24	20002852AA	RING SPANNER 24X27	1		S.NO. 2 INCLUDES S. NO.2(A) TO 2 (K), Not Serviceable part	
2	SOLIS-26,SONALIKA-26	10027169AC	HAND TOOL KIT	1		(ROHS) INTERCHANGE ABLE WITH 10027169AA	
3	SOLIS-26,SONALIKA-26	10052416AA	OPERATOR MANUAL GARDEN TRACK	1			
3	SOLIS-24	10054310AA	OPERATOR MANUAL FOR US HOMOGATION WT-24	1			
4	SOLIS-26,SONALIKA-26	10026665AA	TYRE PRESSURE GAUGE (EXPORT)	1		INTERCHANGE ABLE WITH 10026665AB	

Sr.	Model	Item Code	Description	Qty	Int.	Remarks	Cut Off
						(ROHS)	
4	SOLIS-24	10026665AB	TYRE PRESSURE GAUGE (EXPORT)	1			
4	SOLIS-26,SONALIKA-26	10026665AB	TYRE PRESSURE GAUGE (EXPORT)	1	YES	(ROHS) INTERCHANGE ABLE WITH 10026665AA	
5	SOLIS-26,SONALIKA-26, SOLIS-24	10071358AA	FUSES FOR FARMER KIT	1			
6	SOLIS-26,SONALIKA-26, SOLIS-24	10026958AA	CAP RADIATOR 0.9-PSI	1		INTERCHANGE ABLE WITH 10026958AC (ROHS)	
6	SOLIS-26,SONALIKA-26, SOLIS-24	10026958AC	CAP RADIATOR 0.9-PSI	1	YES	(ROHS) INTERCHANGE ABLE WITH 10026958AA	

27111A-1/1

ACCESSORIES



Sr.	Model	Item Code	Description	Qty	Int.	Remarks	Cut Off
1	SONALIKA-26 FACELIFT	10071358AA	FUSES FOR FARMER KIT	1			
2	SONALIKA-26 FACELIFT	10027169AB	HAND TOOL KIT	1			
2(A)	SONALIKA-26 FACELIFT	200000476A	TOOL BAG	1			
2(B)	SONALIKA-26 FACELIFT	200000474A	SLIP JOINT TYPE PLIER 8"	1			
2(C)	SONALIKA-26 FACELIFT	200000473A	SCREW DRIVER 10"(8X250)	1			
2(D)	SONALIKA-26 FACELIFT	20002846AB	D SPANNER 10X11	1			
2(E)	SONALIKA-26 FACELIFT	20002847AB	D SPANNER 12X13	1			
2(F)	SONALIKA-26 FACELIFT	200000468A	RING SPANNER 16X18	1			

Sr.	Model	Item Code	Description	Qty	Int.	Remarks	Cut Off
2(G)	SONALIKA-26 FACELIFT	200000470A	RING SPANNER 22X24	1			
3	SONALIKA-26 FACELIFT	803007059A	OIL FILTER ASSY. 3cyl. (Garden track)	3			
4	SONALIKA-26 FACELIFT	300010441A	FOLDABLE KEY SOLIS	2			