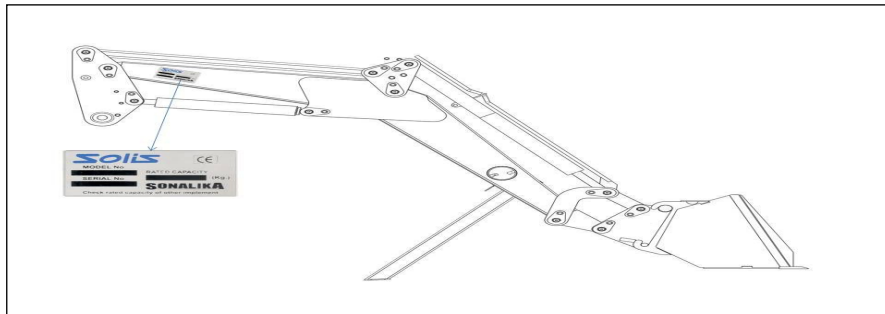


SPARE PARTS

Spare parts should be ordered from your Dealer and should always include the following indications:

- Type and serial number of the machine. These data are punched on the data plate with which every machine is equipped (A Fig. 3).



A Fig. 3

- Part number of the required spare part. This will be found in the spare parts catalogue.
- Description of the part and required quantity.
- Table number.
- Means of dispatch. If this item is not indicated, the Manufacturer, while dedicating particular care to this service, shall not be held responsible for delays in delivery caused by cases of force majeure.

Transport expenses shall always be at the consignee's charge. The goods travel at the purchaser's risk and peril even when sold ex destination.

CONTENTS:

1. SPARE PARTS DETAILS.....5

 1.1. Front End Loader Arm 2400 /3200MSL Parts.....5

 1.2. Front End Loader Arm 3200 NSL Parts.....6

 1.3. PIPE FITTINGS AND CLAMPS.....9

 1.4. LOADER HOSE AND FITTINGS.....12

 1.5. THIRD FUNCTION HOSE AND FITTINGS.....14

2. BUCKETS.....16

 2.1. 4 IN 1 BUCKET.....16

 2.2. GRABBER BUCKET 1.2M.....18

3. QUICK CHANGE.....20

 3.1. BURDER QUICK CHANGE.....20

 3.2. 3200 SKIT STEER QUICK CHANGE.....21

4. 45 LPM STANDARD VALVE SETUP.....23

5. HARDWARE AND FITTINGS.....24

 5.1. SOLIS 20 HARDWARE.....24

 5.2. SOLIS 20 HYDRAULIC FITTING INSTRUCTION25

 5.3. SOLIS 24 EPA 9+9 HARDWARE.....26

 5.4. SOLIS 24 EPA 9+9 HYDRAULIC FITTING INSTRUCTION.....27

 5.5. SOLIS 26 FACE LIFT HARDWARE28

 5.6. SOLIS 26 FACE LIFT HYDRAULIC FITTING INSTRUCTION.....29

 5.7. SOLIS 26 – 30 HARDWARE.....30

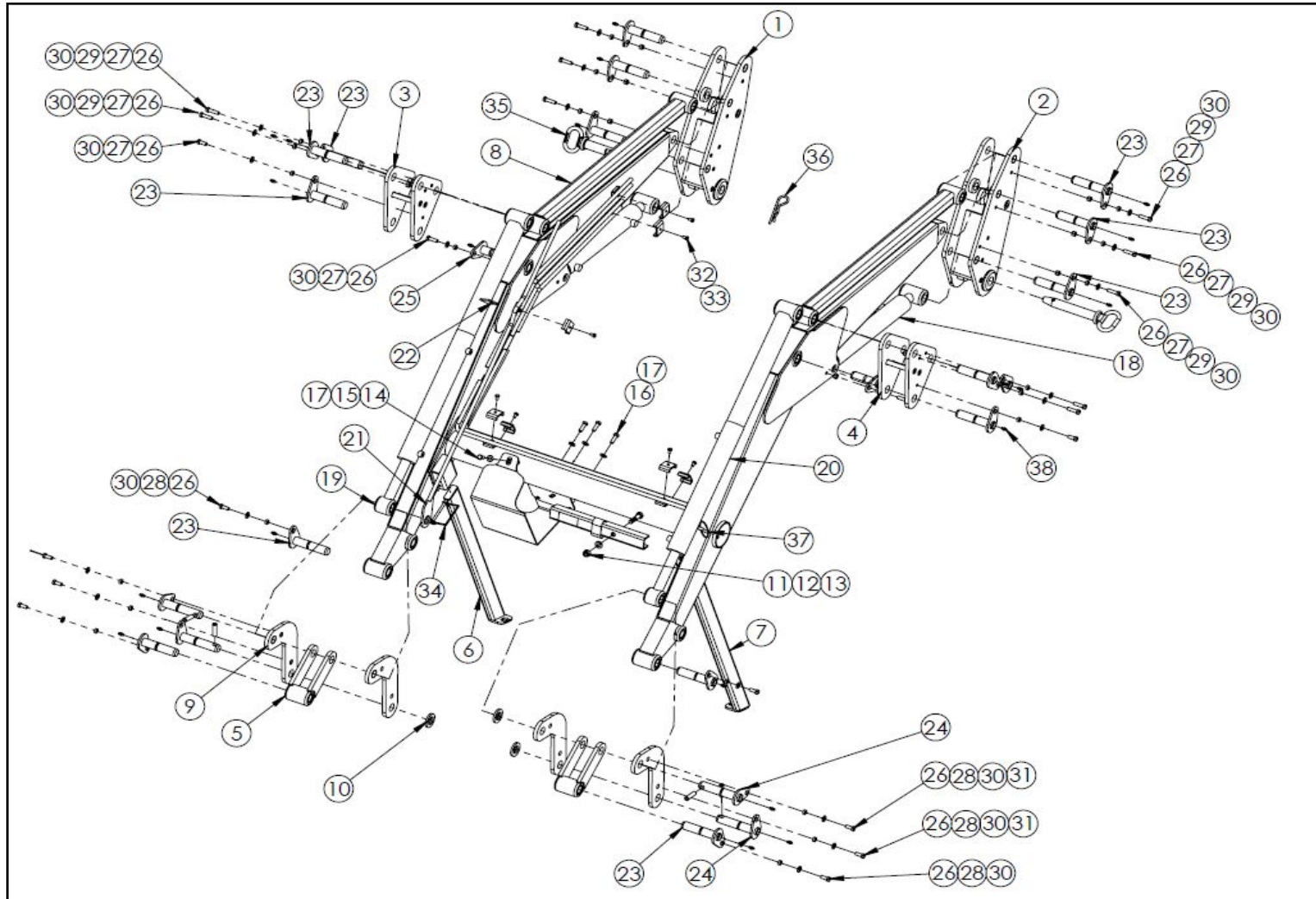
 5.8. SOLIS 26 – 30 HYDRAULIC FITTING INSTRUCTION.....31

6. STICKERS.....32

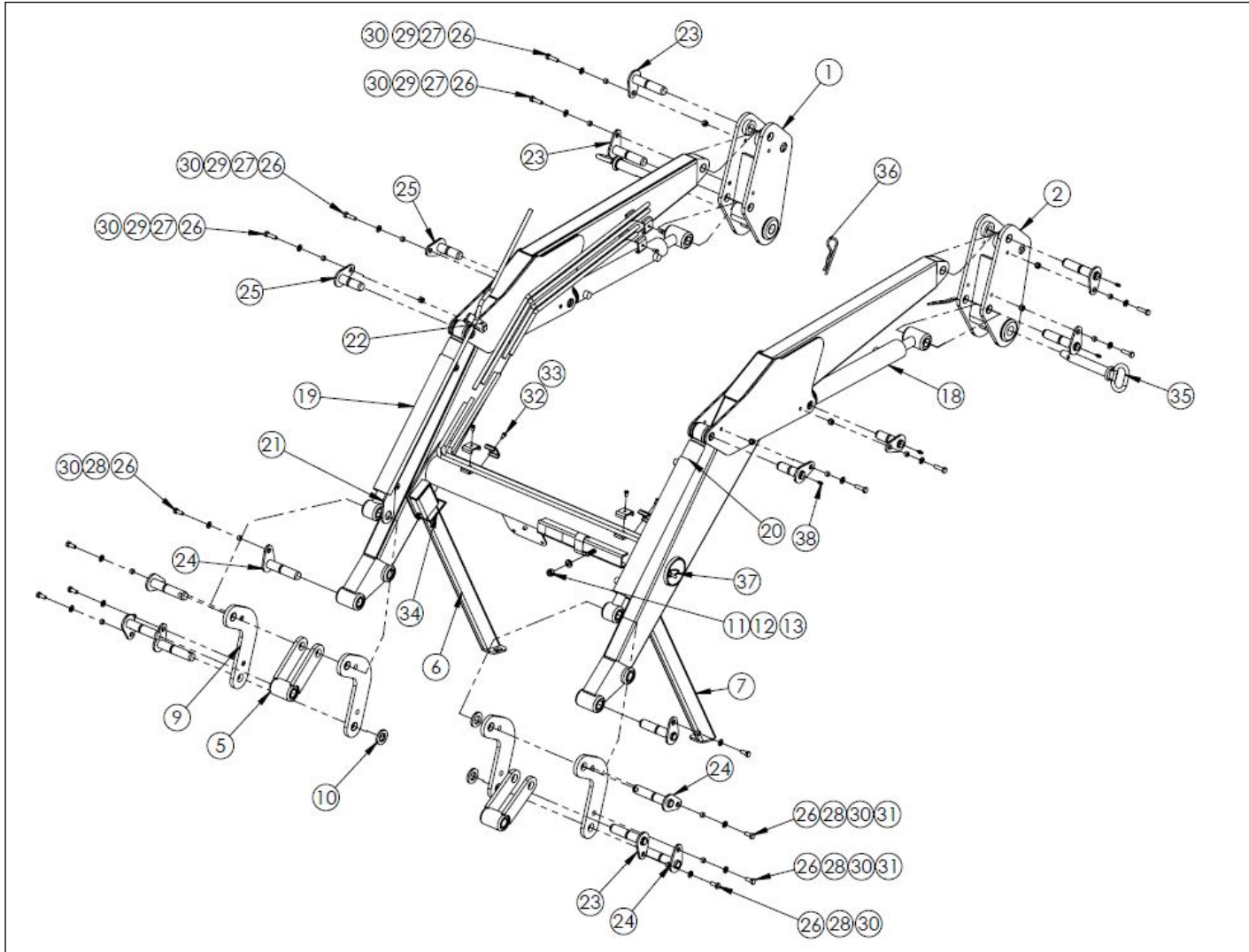
 6.1 SAFETY DECALS LOCATION FOR 3200 MSL.....32

 6.2 SAFETY DECALS LOCATION FOR 3200 NSL.....36

1.1 . Front End Loader Arm 2400/3200 MSL Parts



1.2. Front End Loader Arm 3200 NSL Parts



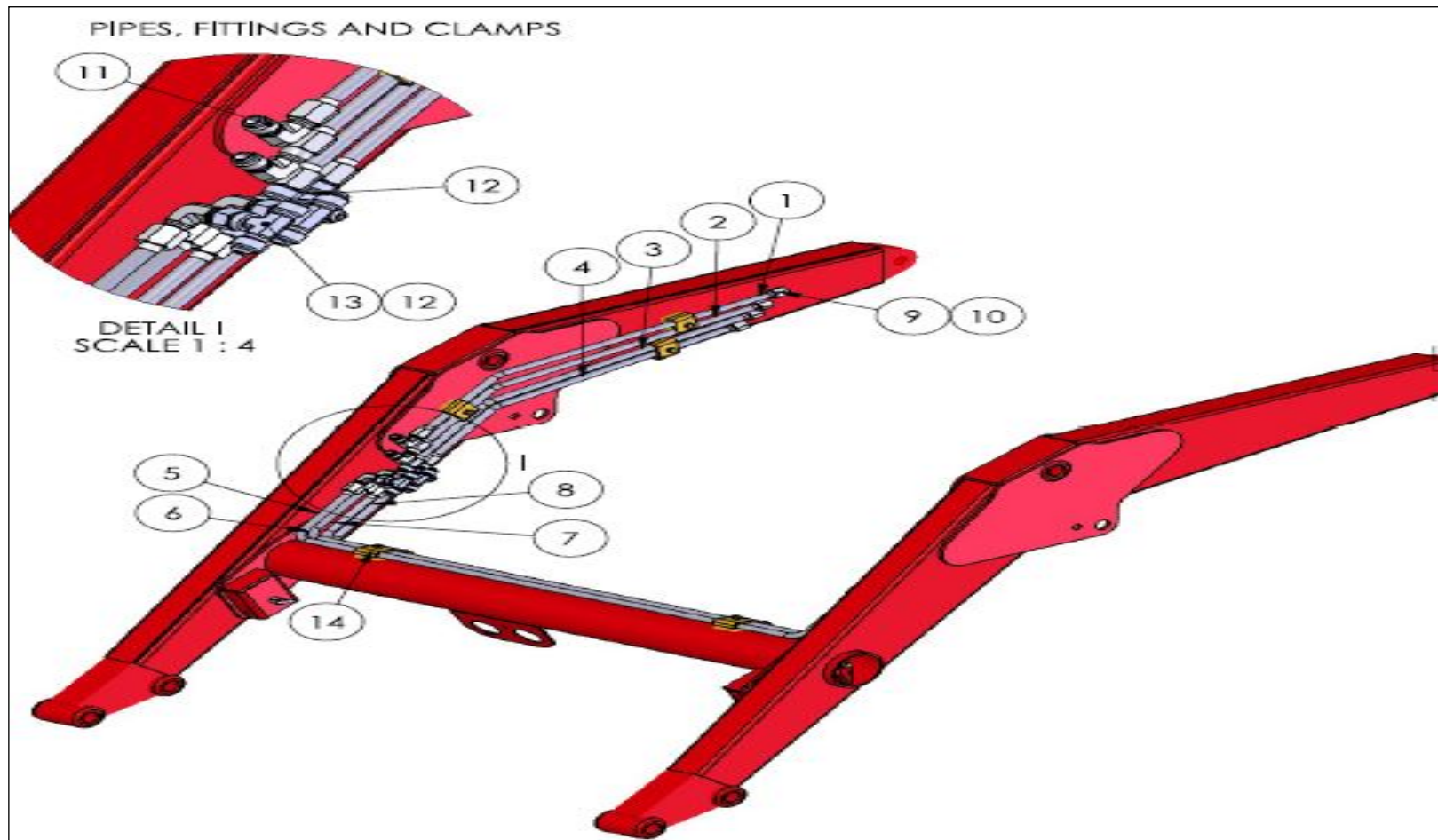
1.1 & 1.2 Front End Loader Arm 2400 /3200 MSL & 3200 NSL Parts

ITEM NO.	PART NO.	DESCRIPTION	2400 MSL	3200 MSL	3200 NSL
			QTY	QTY	QTY
1	60B42000	POST CAP RH (24/32 MSL)	1	1	0
1	60I20200	POST CAP RH (32 NSL)	0	0	1
2	60B42000	POST CAP LH (24/32 MSL)	1	1	0
2	60I20200	POST CAP LH (32 NSL)	0	0	1
3	60A28400	MIDDILE ROCKER RH (24/32 MSL)	1	1	0
4	60A28400	MIDDILE ROCKER LH (24/32 MSL)	1	1	0
5	60A28500	FRONT LINK ASSEMBLY (24/32 MSL /32 NSL)	2	2	2
6	60C18700	LEG ASSEMBLY RH (32 MSL/32 NSL)	0	1	1
6	60B44500	LEG ASSEMBLY RH (24 MSL)	1	0	0
7	60C18700	LEG ASSEMBLY LH (32 MSL/32 NSL)	0	1	1
7	60B44500	LEG ASSEMBLY LH (24 MSL)	1	0	0
8	60A28700	RH & LH SL LINK ASSEMBLY (32 MSL)	0	2	0
8	60B42100	LH & RH SL LINK ASSEMBLY (24 MSL)	2	0	0
9	60028710	SIDE PLATE (24/32 MSL /32 NSL)	4	4	4
10	01-391	SPACER (24/32 MSL /32 NSL)	3	3	3
11	60050605	PROP ASSEMBLY (24/32 MSL /32 NSL)	1	1	1
12	NTNCM10	M10 NYLOC NUT	1	1	1

13	PWM10		M10 FLAT WASHER	1	1	1
14	66730103		MANIFOLD COVER (24/32 MSL)	1	1	0
15	BHM8SC20		M8 × 20 HEX BOLT	1	1	0
16	BHM8SC25		M8 × 25 HEX BOLT	3	3	0
17	PWM8		M8 FLAT WASHER	4	4	0
18	LIFT CYLINDER		LIFT HYD.CYLINDER (24/32 MSL /32 NSL)	2	2	2
19	3020 SL TILT		TILT HYD.CYLINDER RH (32 MSL)	0	1	0
19	3020 SL TILT NSL		TILT HYD.CYLINDER RH (32 NSL)	0	0	1
19	2400 SL TILT MODIFIED		TILT HYD.CYLINDER RH (24 MSL)	1	0	0
20	3020 SL TILT		TILT HYD.CYLINDER LH (32 MSL)	0	1	0
20	3020 SL TILT NSL		TILT HYD.CYLINDER LH (32 NSL)	0	0	1
20	2400 SL TILT MODIFIED		TILT HYD.CYLINDER LH (24 MSL)	1	0	0
21	60B91100		LEVEL INDICATOR ASSEMBLY (24 MSL/32NSL)	1	0	1
21	60B34500		LEVEL INDICATOR ASSEMBLY (32 MSL)	0	1	0
22	28757005		INDICATOR BRACKET (32 NSL)	0	0	1
23	02-284		GREASABALE PIN ASSEMBLY 284 (24/32 MSL /32 NSL)	16	16	8
24	02-297		GREASABALE PIN ASSEMBLY 297 (24/32 MSL /32 NSL)	4	4	4
25	02-287		GREASABALE PIN ASSEMBLY 287 (24/32 MSL /32 NSL)	2	2	4

26	01-1201		PIPE WASHER (24/32 MSL /32 NSL)	22	22	16
27	BHM8SC30		M8×30 HEX BOLT (24/32 MSL /32 NSL)	12	12	8
28	BHM8SC20		M8×20 HEX BOLT (24/32 MSL /32 NSL)	12	12	8
29	NTNCM8		M8 NYLOC NUT	12	12	8
30	PWM8		M8 PLAIN WASHER	24	24	16
31	DM10SP40		SPRING DOWEL (24/32 MSL /32 NSL)	4	4	4
32	60027904		CLAMP COVER (24/32 MSL /32 NSL)	7	7	7
33	BHM6SC10		M6×10 HEX BOLT	7	7	7
34	SQP002		SQUARE LOOP PIN (24/32 MSL /32 NSL)	2	2	2
35	18FHP007		FORGED PIN (24/32 MSL /32 NSL)	2	2	2
36	SP-001		PIN (24/32 MSL /32 NSL)	2	2	2
37	LYP001		LYNCH PIN	2	2	2
38	GN14		GREASE NIPPLE	22	22	16

1.3. PIPE FITTINGS AND CLAMPS

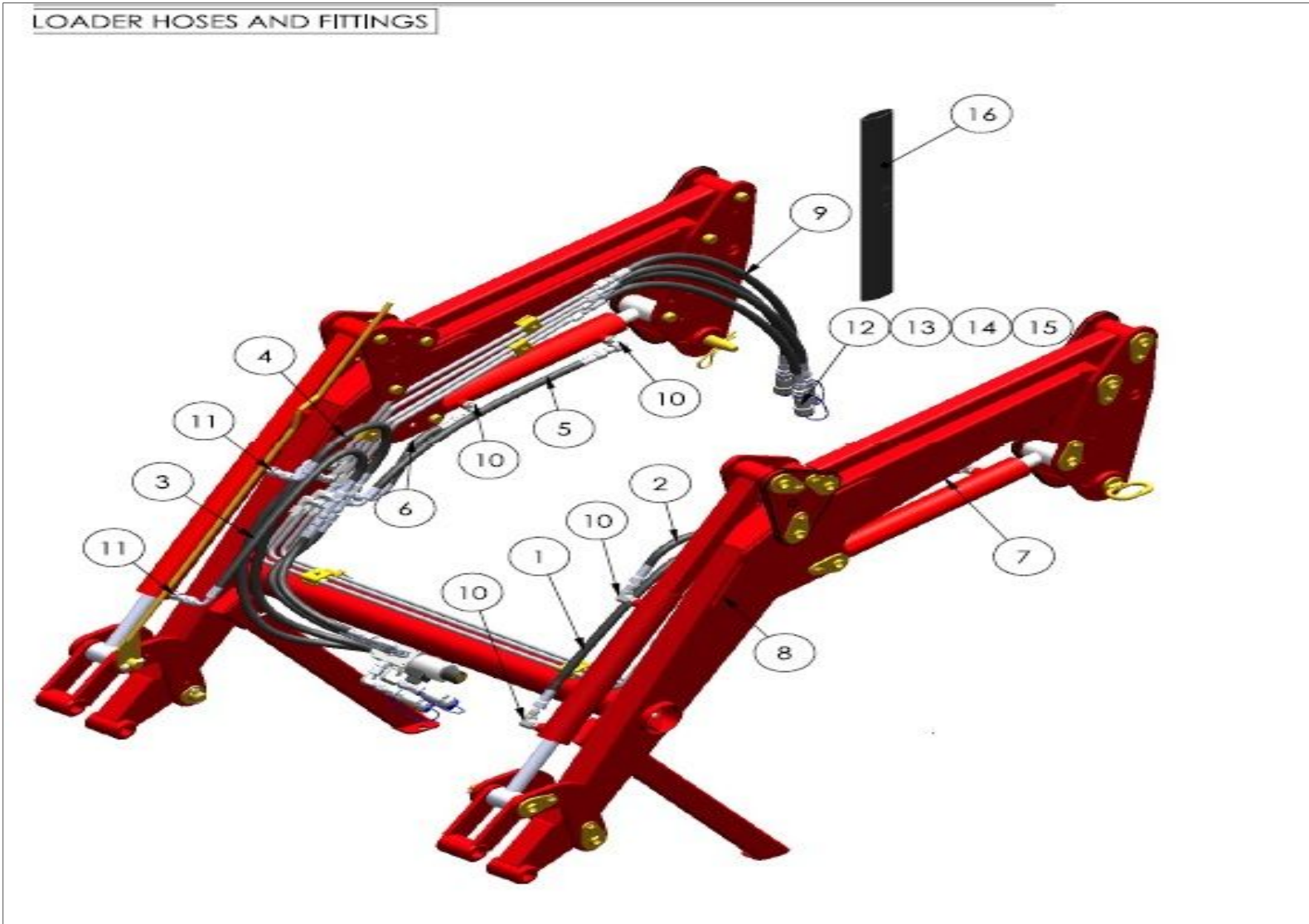


1.3. PIPE FITTINGS AND CLAMPS

Item no	PART NO.	Parts Description	3200 MSL / NSL standard	3200 MSL / NSL third function	2400 MSL standard	2400 MSL third function
			QTY	QTY	QTY	QTY
1	06-131	Pipe Crowd 131 (32 MSL/32 NSL STD.)	1	0	0	0
1	06-146	Pipe Crowd 146 (32 MSL/32 NSL 3RDF)	0	1	0	0
1	06-110	Pipe Crowd 110 (24 MSL STD.)	0	0	1	0
1	06-117	Pipe Crowd 117 (24 MSL 3RDF)	0	0	0	1
2	06-132	Dump Pipe 132 (32 MSL/32 NSL STD.)	1	0	0	0
2	06-147	Dump Pipe 147 (32 MSL/32 NSL STD/3RDF)	1	1	0	0
2	06-109	Dump Pipe 109 110 (24 MSL STD.)	0	0	1	0
2	06-118	Dump Pipe 118 (24 MSL 3RDF)	0	0	0	1
3	06-133	Lower Pipe 133 (32 MSL/32 NSL STD/3RDF)	1	1	0	0
3	06-108	Lower Pipe 108 (24 MSL STD/3RDF)	0	0	1	1
4	06-134	Raise Pipe 134 (32 MSL/32 NSL STD/3RDF)	1	1	0	0
4	06-107	Raise Pipe 107 (24 MSL STD/3RDF)	1	0	1	1

5	06-127		Pipe Crowd 127 (32 MSL/32 NSL STD/3RDF)	1	1	0	0
5	06-116		Pipe Crowed 116 (24 MSL STD/3RDF)	0	0	1	1
6	06-128		Dump Pipe 128 (32 MSL/32 NSL STD/3RDF)	1	1	0	0
6	06-115		Dump Pipe 115 (24 MSL STD/3RDF)	0	0	1	1
7	06-129		Pipe Lower 129 (32 MSL/32 NSL STD/3RDF)	1	1	0	0
7	06-114		Pipe Lower 114 (24 MSL STD/3RDF)	0	0	1	1
8	06-130		Raise Pipe 130 (32 MSL/32 NSL STD/3RDF)	1	1	0	0
8	06-113		Raise Pipe 113 (24 MSL STD/3RDF)	0	0	1	1
9	TJN-09		JIC TUBE NUT 09	16	16	16	16
10	TJS-06		JIC TUBE SLEEVE 06	16	16	16	16
11	G-G-90-0909		JICM JICM ELBOW 0909	0	4	0	4
12	G-G-G-090909		JICM JICM JICM TEE 090909	2	2	2	2
13	G-G-G-090909		JICM JICM JICM TEE 090909	2	2	2	2
14	PC-38		PIPE CLAMP Ø3/8" FABRICATED	11	11	11	11

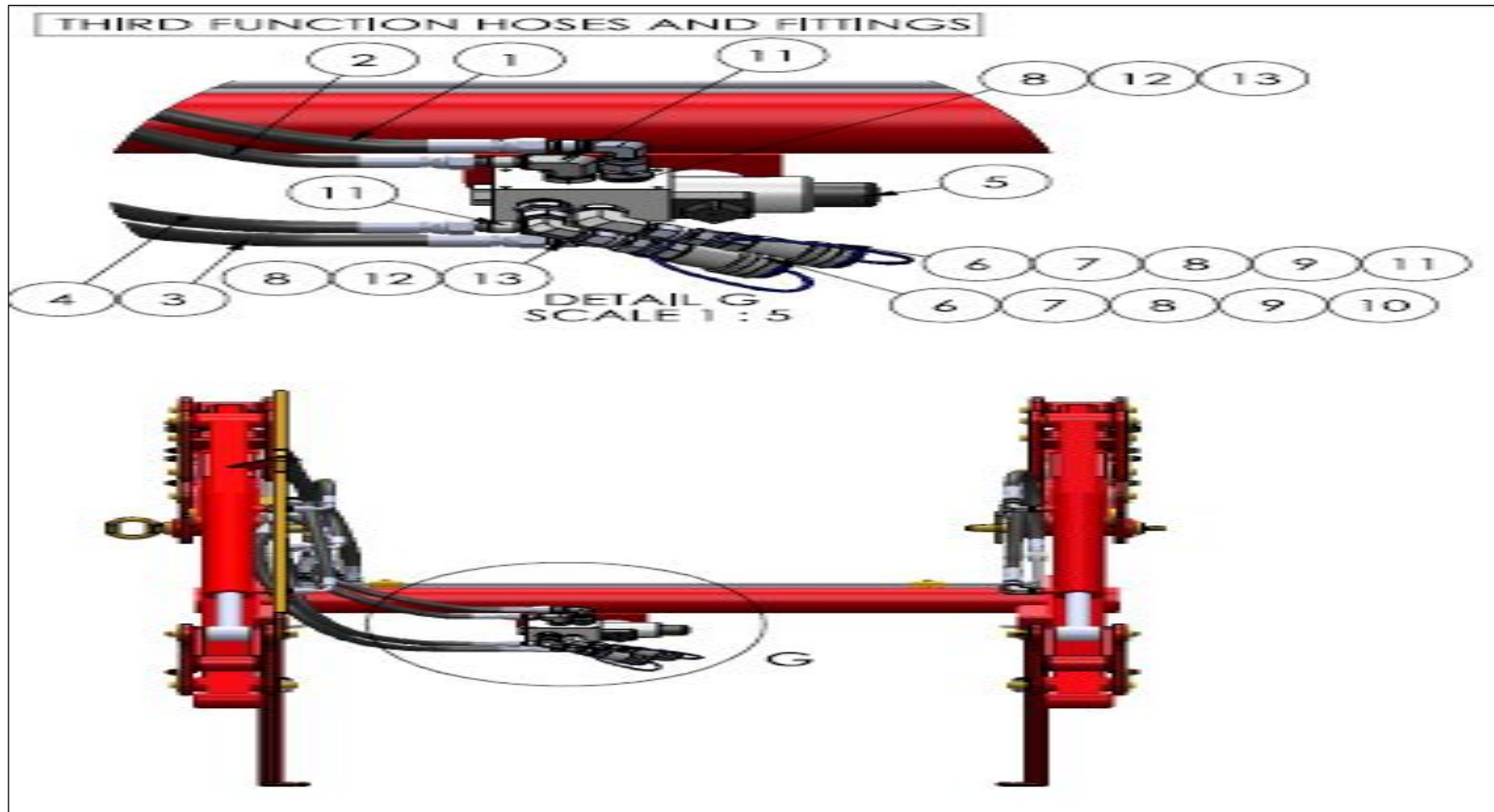
1.4. LOADER HOSE AND FITTINGS



1.4. LOADER HOSE AND FITTINGS

Item no	PART NO.	Parts Description	3200 MSL / NSL standard	3200 MSL / NSL third function	2400 MSL standard	2400 MSL third function
			QTY	QTY	QTY	QTY
1	H225	HOSE 225 -750MM LENGTH	1	1	1	1
2	H226	HOSE 226 -450MM LENGTH	1	1	1	1
3	H227	HOSE 227 -750MM LENGTH	1	1	1	1
4	H228	HOSE 228 -450MM LENGTH	1	1	1	1
5	H229	HOSE 229 -670MM LENGTH	1	1	1	1
6	H230	HOSE 230 -350MM LENGTH	1	1	1	1
7	H231	HOSE 231 -670MM LENGTH	1	1	1	1
8	H232	HOSE 232 -350MM LENGTH	1	1	1	1
9	H233	HOSE 233 -900MM LENGTH	4	4	4	4
10	G-BP-90-0904	0409 BSPPOM - JICM 90° ELBOW	4	4	4	4
11	G-BP-90-0904	0409 BSPPOM - JICM 90° ELBOW	4	4	4	4
12	QNV - F04	BSPPF FEMALE QRC /POPPET WITH RUBBER DUST PLUG	4	4	4	4
13	QT-MO4B	ORIFICE ADAPTOR ASSY	2	2	2	2
14	OF-3201	DOWTY SEAL	4	4	4	4
15	B-G-0409	BSPPOM JICM NIPPLE 0409	6	6	6	6
16	HG-38	WOVEN NYLON HOSE GUARD -700 LG	4	4	4	4

1.5. THIRD FUNCTION HOSE AND FITTINGS 4 in 1 1.2m bucket spare parts

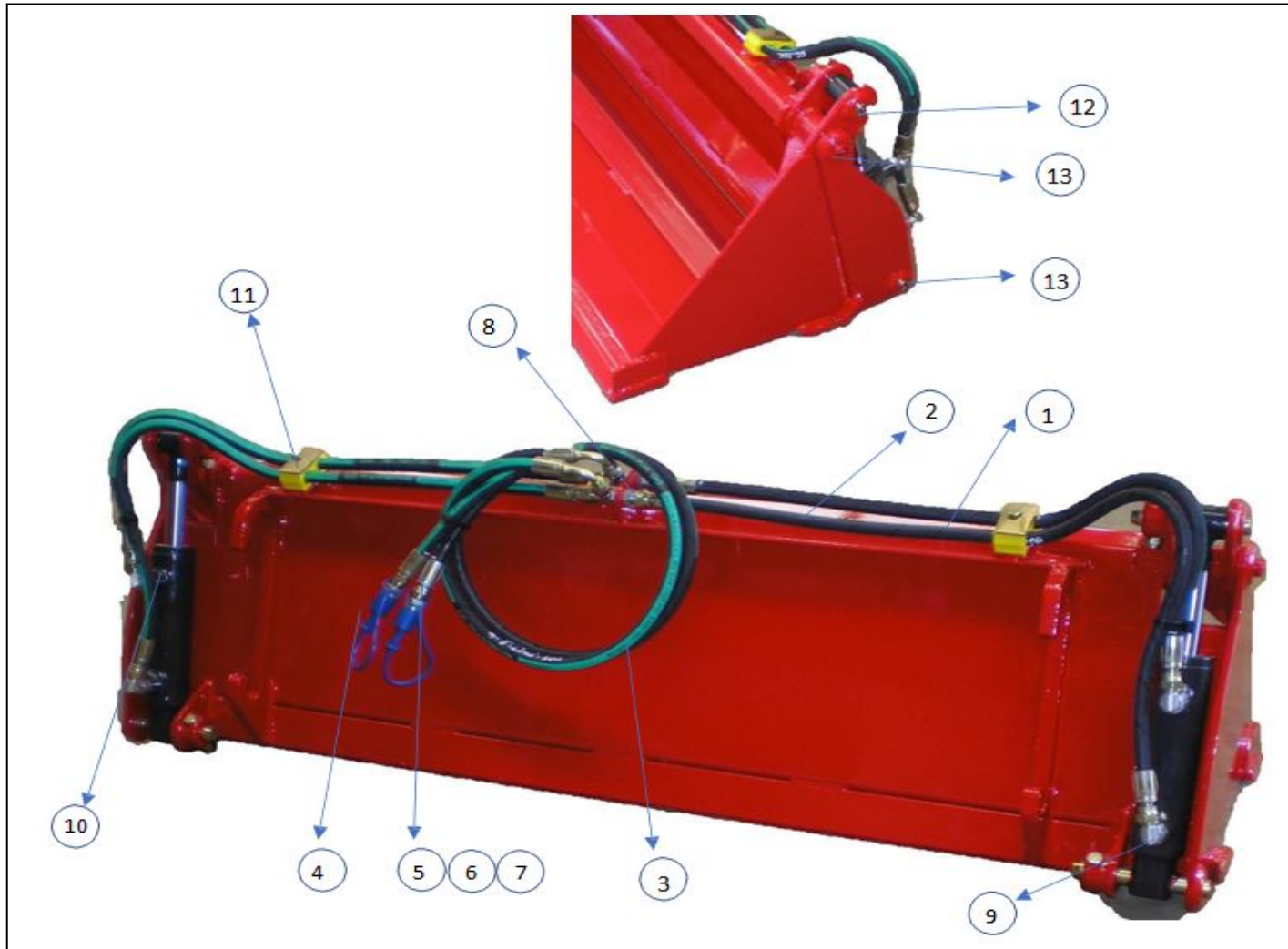


1.5. THIRD FUNCTION HOSE AND FITTINGS 4 in 1 1.2m bucket spare parts

Item no	PART NO.	Parts Description	3200 MSL / NSL standard	3200 MSL / NSL third function	2400 MSL standard	2400 MSL third function
			QTY	QTY	QTY	QTY
1	32-T234	Hose T234 - 420mm Cut Length	1	1	0	0
1	H234	Hose H234 - 420mm Cut Length	0	0	1	1
2	32 - T235	Hose T235 - 440mm Cut Length	1	1	0	0
2	H235	Hose H235 -440mm Cut Length	0	0	1	1
3	32 - T236	Hose T236 - 715mm Cut Length	1	1	0	0
3	H236	Hose H236 - 470mm Cut Length	0	0	1	1
4	32 - T237	Hose T237 - 630mm Cut Length	1	1	0	0
4	H237	Hose h237 - 550mm Cut Length	0	0	1	1
5	DFE 80	DIVERTER VALVE - DFE 80	1	1	1	1
6	QNV-F06	BSPPF FEMALE QRC /POPPET 06	2	2	2	2
7	QT- M048	RUBBER DUST PLUG 04	2	2	2	2
8	D-06	DOWTY SEAL 06	8	8	8	8
9	2B-J-0606	3/8"BSPPOM & 9/16 " JIC FEMALE ADAPTER	2	2	2	2
10	B-G-0906	3/8" BSPPOM 9/16"JICM 90° ELBOW	2	2	2	2
11	B-G-0906	3/8" BSPPOM 9/16"JICM 90° ELBOW	2	2	2	2
12	B-G-0906	3/8" BSPPOM 9/16"JICM 90° ELBOW	2	2	2	2

2. BUCKETS

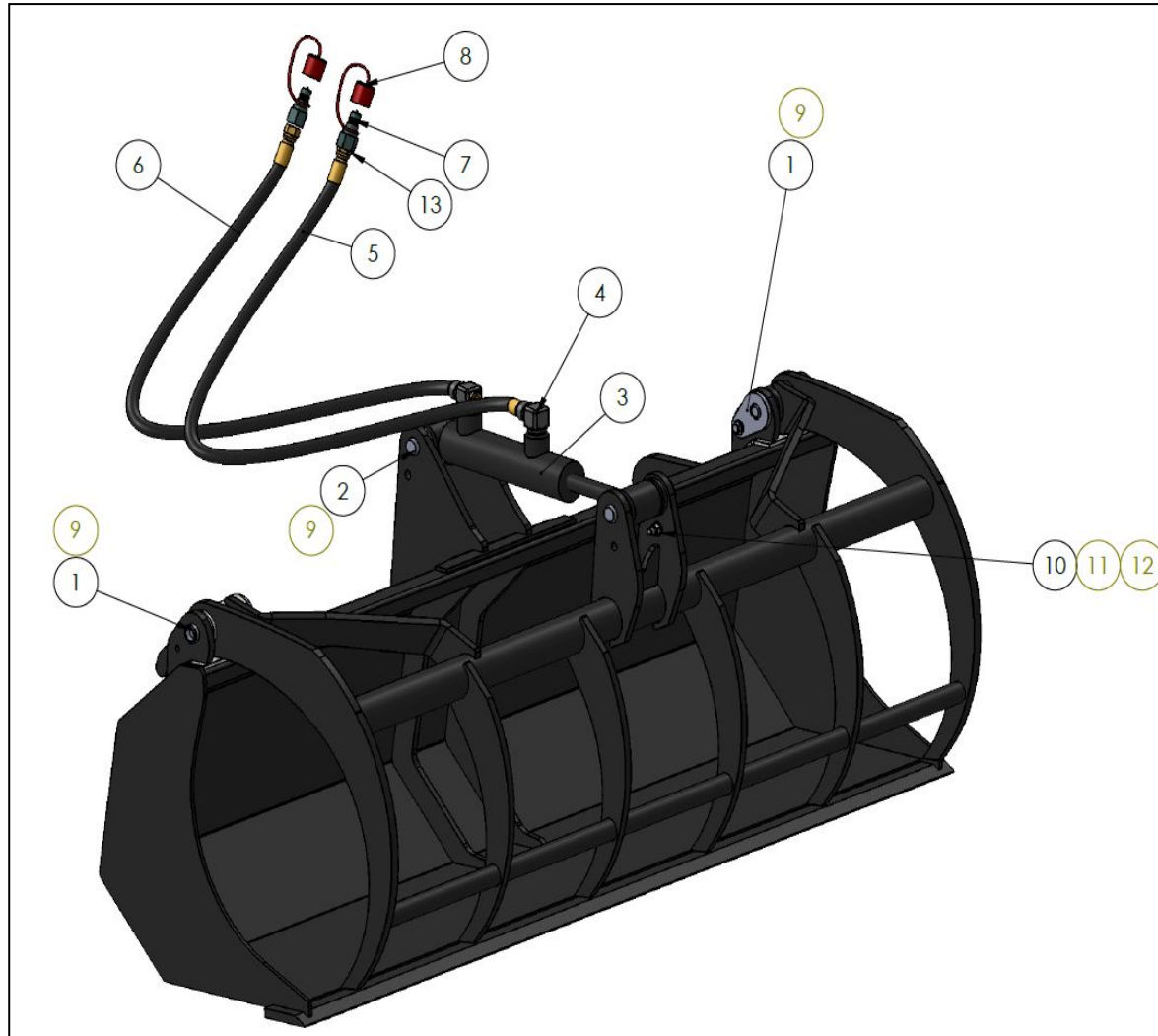
2.1. 4 IN 1 BUCKET



2.1. 4 IN 1 BUCKET

Item no	PART NO.		Parts Description	Qty
1	H223		Hose H223 - 700mm cut length	2
2	H210		Hose H210 - 820mm cut length	2
3	H224		Hose H224 - 1025mm cut length	2
4	TFA-38		RUBBER DUST CAP 38	2
5	ANV-38GAS-M		BSPPF MALE QRC /POPPET 38	2
6	D-06		DOWTY SEAL 06	2
7	B-G-0609		3/8" BSPP 9/16"" JICM ADAPTOR	2
8	G-GK-G-090909		JICM 9/16" JICM BULKHEAD TEE	2
9	G-BP-90-0409		1/4" BSPPOM 9/16' JICM 90' ELBOW	4
10	32 41 CYL		CYLINDERS 32 41 CYL	2
11	CF2-M14C		HOSE CLAMP SET M14C	2
12	02-257		Greasable pin OD -19.5 OL-105.5	2
13	02-258		Greasable pin OD -19.5 OL-125.5	4

2.2. GRABBER BUCKET 1.2M

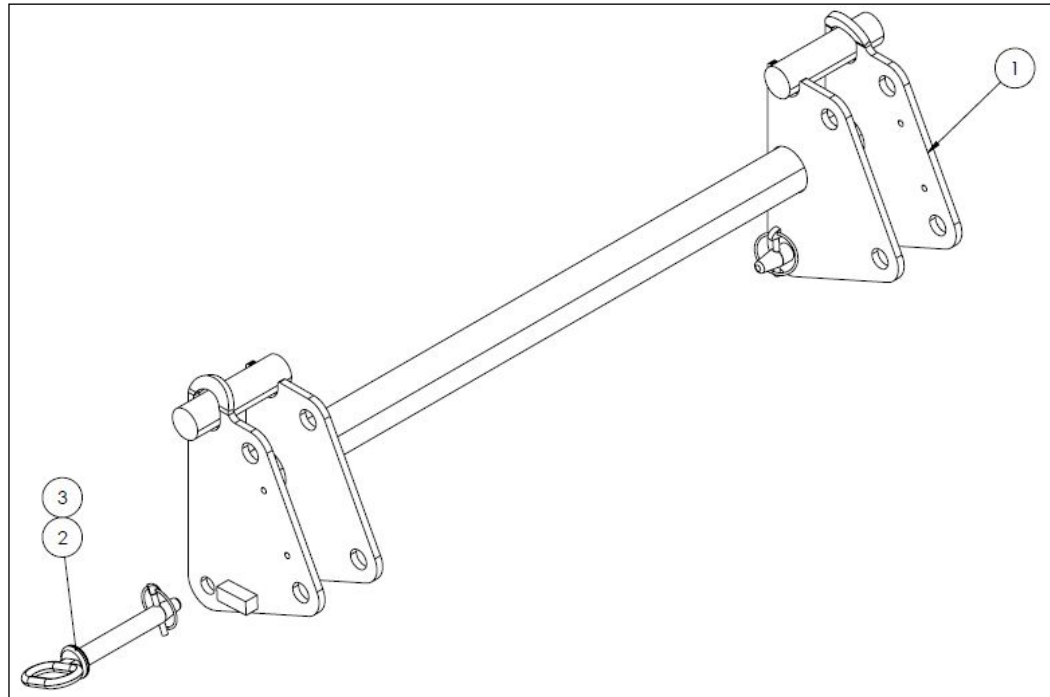


2.2. GRABBER BUCKET 1.2M

Item no	PART NO.		Parts Description	Qty
1	L-G120		PIN,ASSY,BOLT ON, GREASABLE	2
2	L-G100		PIN,ASSY,BOLT ON, GREASABLE GRABBER	2
3	32 42CYL		CYLINDER GRABBER	2
4	G-BP-90-0409		1/4" BSPPOM 9/16' JICM 90' ELBOW	2
5	G321		S05C-0904 / E2SC-04 / S05C-0904 - 1000mm Cut Length	1
6	G322		S05C-0904 / E2SC-04 / S05C-0904 - 870mm cut Length	1
7	ANV-38GAS-M		06 BSPPF MALE QRC /POPPET	2
8	TFA-38		-06 RUBBER DUST CAP	2
9	K-N 47		Nipple for Greesable Pin	4
10	BM8SC30		Bolt, Hex, M8X30	11
11	PWM8		Washer Flat,M8	18
12	NNM8		Nut,Nyloc, M8	12
13	B-G-0609		3/8" BSPP 3/4" JICM ADAPTOR	2

3. QUICK CHANGE

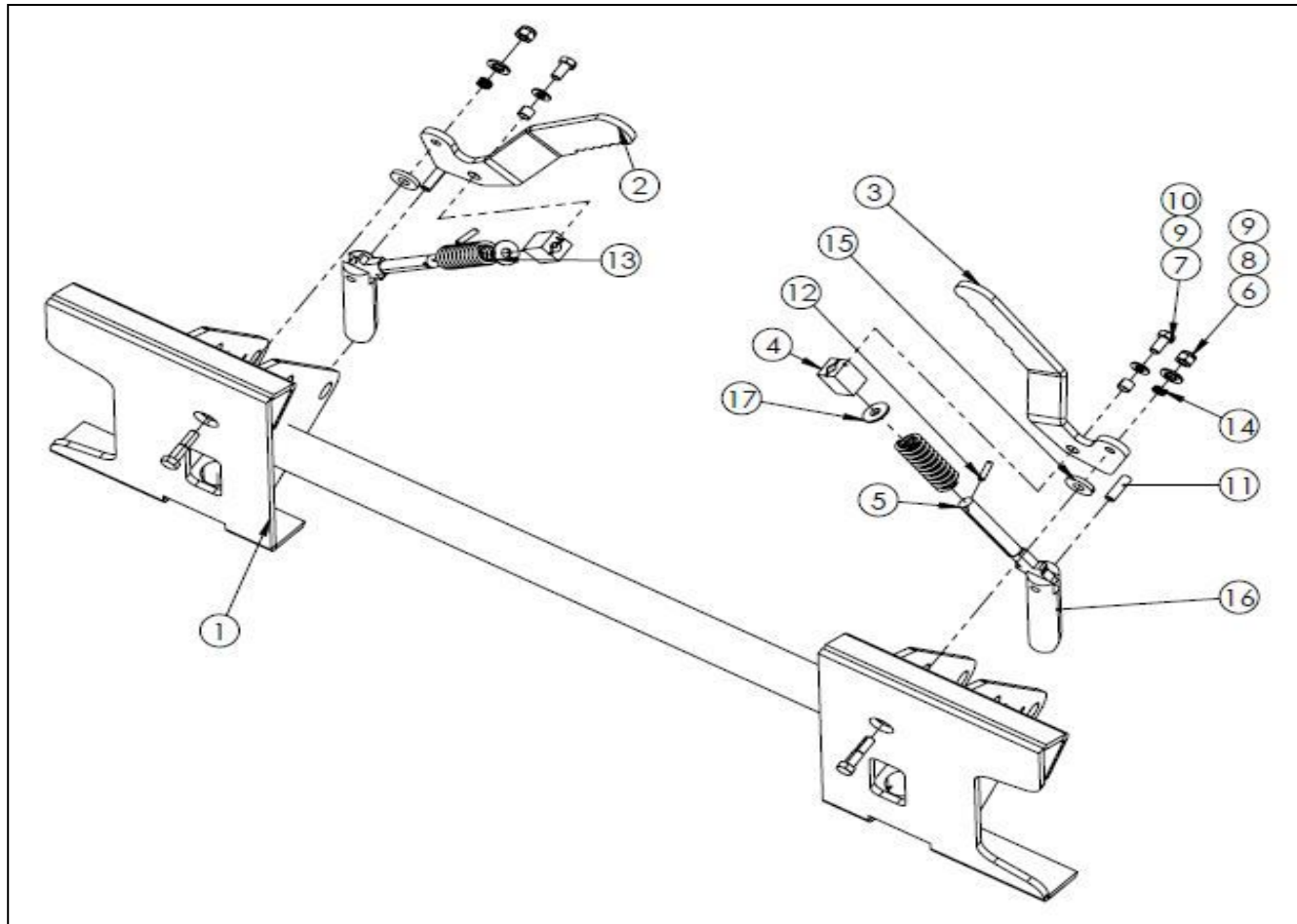
3.1. QUICK CHANGE HITCH



3.1. QUICK CHANGE HITCH

Item no	PART NO.		Parts Description	Qty
1	60A47800		Quick Change 2000 series	1
2	18FHP003		Pin OD 19	2
3	LP-03		Lynch pin	2

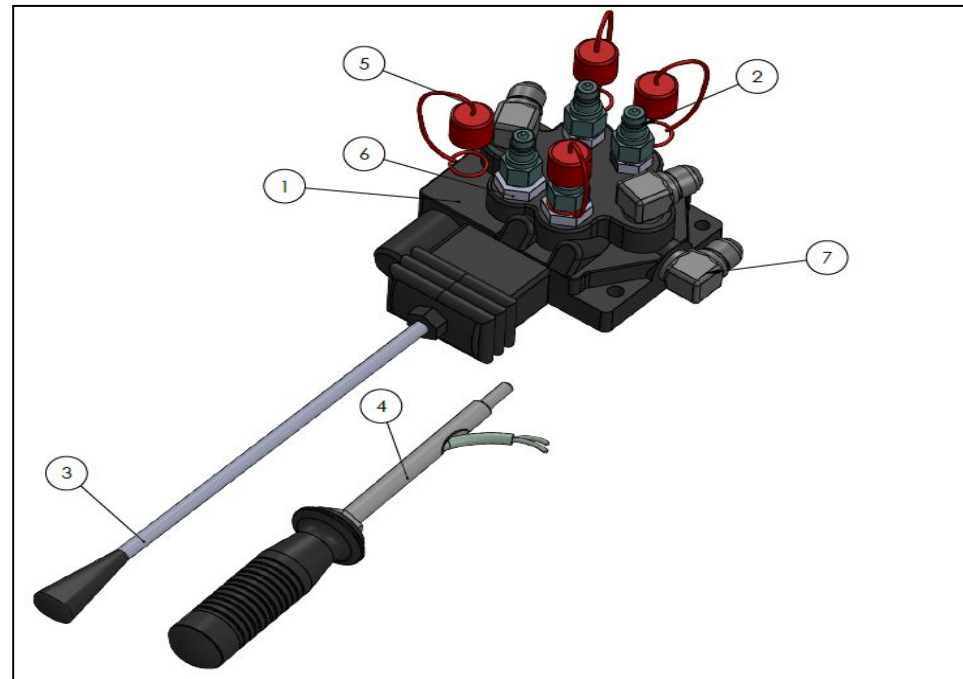
3.2. 3200 SKIT STEER QUICK CHANGE



3.2. 3200 SKIT STEER QUICK CHANGE

S.NO	PART NO		DESCRIPTION	QTY
1	3200SKIDTSEERQC		SKID STEER	1
2	75000908-RH		HANDLE RH	1
3	75000908-LH		HANDLE LH	1
4	Mar-67		PIVOT BLOCK	2
5	75000810		CONNECTIG ROD	2
6	BHM1042		M10×45 HEX BOLT	2
7	BHM1020		M10×20 HEX BOLT	2
8	NNM10		M10 NYLOC NUT	2
9	WPM10		M10 PLAIN WASHER	2
10	SP-12 H11		PIPE WASHER H11	2
11	DL-10		DOWEL 10×32	2
12	DL-06		DOWEL 6×25	2
13	CSID 20 OD85		SPRING OD 85	2
14	WSDHM12		M12 DOUBLE HELICAL WASHER	2
15	FP241105		FRICTION PAD	2
16	20-Mar		WEDGE PIN	2
17	CW1027-01		CUP WASHER	2

4. 45 LPM STANDARD VALVE SETUP



4. 45 LPM STANDARD VALVE SETUP

Item no	PART NO.		Parts Description	Qty
1	HDM 11S/2		DCV 45 LPM	1
2	ANV-38GAS-M		BSPPF MALE QRC /POPPET 04	4
3	LV011		Direct joystick	1
4	LV121		Push button joystick	1
5	TFA-38		RUBBER DUST CAP 04	4
6	B-B-0606		3/8" BSPP 3/8" BSPP ADAPTER	4
7	G-BP-90-1206		3/4" JICM 3/8" BSSPOM 90 ELBOW	3

5. HARDWARE

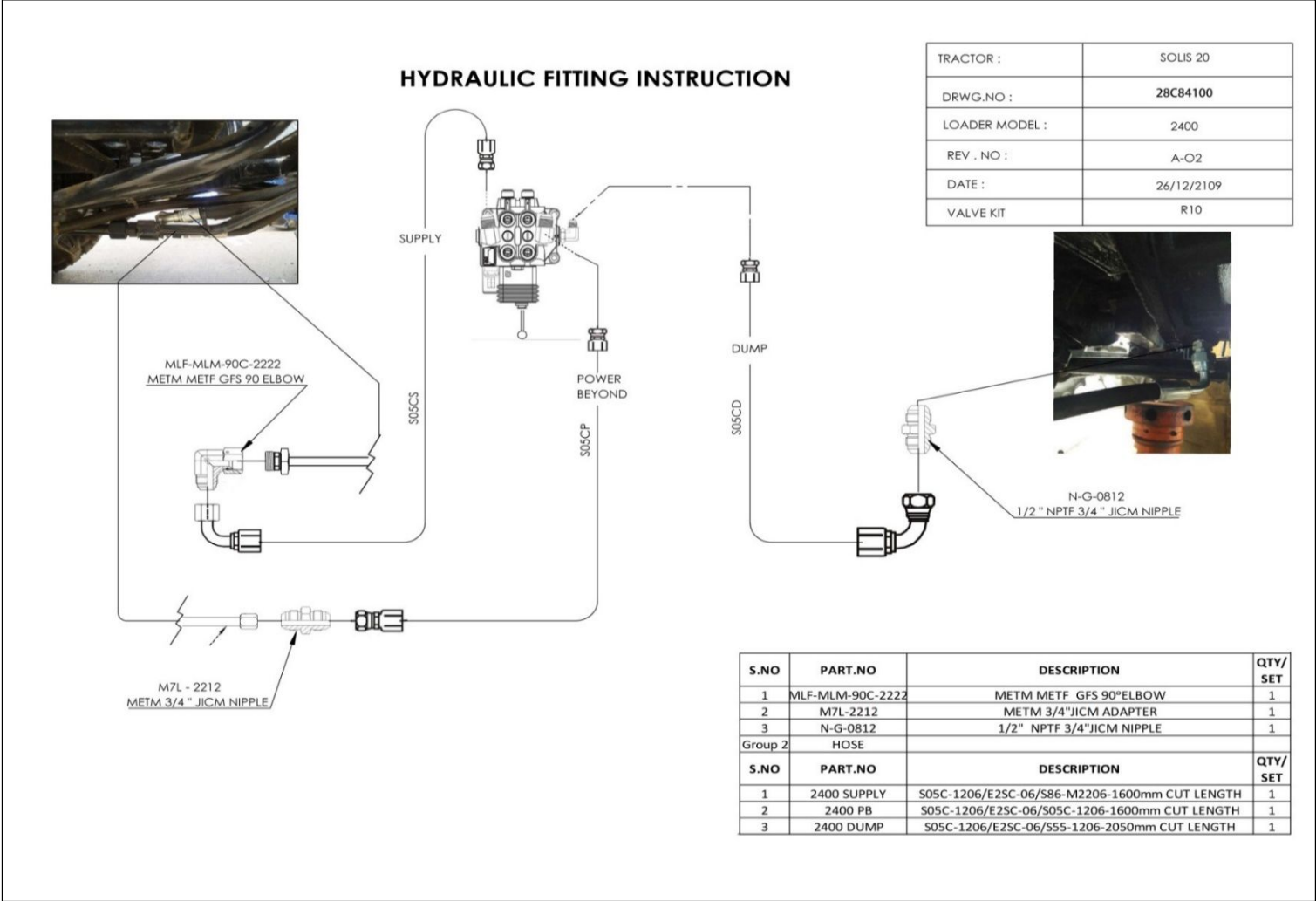
5.1. SOLIS 20

	Tractor Model :	SOLIS 20	Loader model :	2400
	Drwg. No.	28C84100	Rev. No.:	A-03
			Date:	28.01.20

SOLIS 20HP SUBFRAME SPARES			
S.NO	PART NO	DESCRIPTION	QTY
A	LH SUBFRAME	28I26100	1
B	RH SUBFRAME	28I26200	1
C	LH REAR ARM	28I26300	1
D	RH REAR ARM	28I26400	1
E	CROSS MEMBER	28001312	1
F	RAMSHORN	28005610	1
G	VALVE MOUNT BAR	50011920	1
H	VALVE MOUNT TUBE	03-0703	1
I	VALVE MOUNT PLATE	5002B05	1

SOLIS 20HP FASTENERS					
HORN PLATE CONNECTION					
S.NO	THREAD	DESCRIPTION	SIZE	LG	QTY
1	FULL THREAD	BOLT, HEX	M8	15	2
2		FLAT WASHER	M8		2
3	SEMI THREAD	BOLT, HEX	M16	200	2
4		FLAT WASHER	M16		2
5		SPR WASHR	M16		2
6	SEMI THREAD	BOLT, HEX	M14	50	2
7		FLAT WASHER	M14		2
8		SPR WAHSER	M14		2
X-MEMBER CONNECTION					
S.NO	THREAD	DESCRIPTION	SIZE	LG	QTY
9	SEMI THREAD	BOLT, HEX	M10	55	4
10		FLAT WASHER	M10		4
11		NYLOC NUT	M10		4
MAIN PLATE					
S.NO	THREAD	DESCRIPTION	SIZE	LG	QTY
12	FINE BOLT 1.25mm	BOLT, HEX, Pre coated	M10	35	12
13		FLAT WASHER	M10		12
14		SPR WASHER	M10		12
VALVE MOUNTING					
S.NO	THREAD	DESCRIPTION	SIZE	LG	QTY
15	SEMI THREAD	BOLT, HEX	M12	55	2
16		FLAT WASHER	M12		4
17		NYLOC NUT	M12		2
18	FULL THREAD	BOLT, HEX	M16	30	1
19	BU VALVESEMI THREAD	BOLT, HEX	M8	40	3
20		FLAT WASHER	M8		3
21		NYLOC NUT	M8		3
REAR ARM CONNECTION					
S.NO	THREAD	DESCRIPTION	SIZE	LG	QTY
22	SEMI THREAD	BOLT, HEX	M10	110	4
23		SPR WASHER	M10		4
24		FLAT WASHER	M10		4
25	SEMI THREAD	BOLT, HEX	M8	110	4
26		SPR WASHER	M8		4
27		FLAT WASHER	M8		4

5.2. SOLIS 20 HYDRAULIC FITTING INSTRUCTION



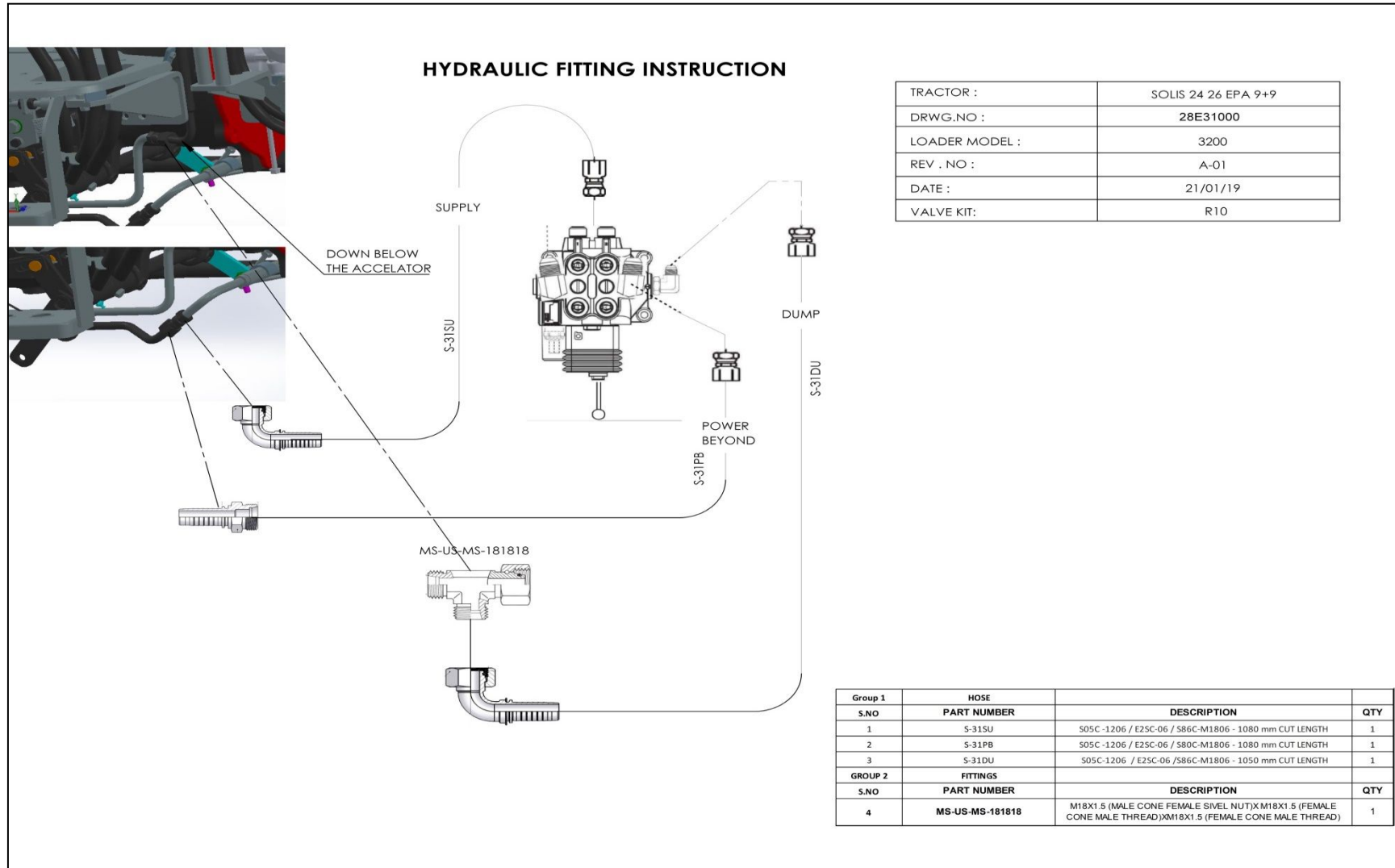
5.3. SOLIS 24 EPA 9+9 HARDWARE

	Tractor Model :	SOLIS 24 EPA 9+9	Loader model :	3200
	Drwg. No.	28E31000	Rev. No.:	A-02
			Date:	21/01/2019

SOLIS 24HP EPA 9+9 SUBFRAME SPARES			
S.NO	PART NO	DESCRIPTION	QTY
A	LH SUBFRAME	28I26500	1
B	RH SUBFRAME	28I26600	1
C	LH REAR ARM	28I26700	1
D	RH REAR ARM	28I26800	1
E	CROSS MEMBER	28I26900	1
F	RAMSHORN	28759010	1
G	VALVE MOUNT BAR	50011921	1
H	VALVE MOUNT TUBE	03-0703	1
I	VALVE MOUNT PLATE	5002B05	1

SOLIS 26HP FASTENERS					
HORN PLATE CONNECTION					
S.NO	THREAD	DESCRIPTION	SIZE	LG	QTY
1	FULL THREAD	BOLT, HEX	M8	15	2
2		FLAT WASHER	M8		2
3	SEMI THREAD	BOLT, HEX	M16	200	2
4		FLAT WASHER	M16		2
5		SPR WAHSER	M16		2
6	SEMI THREAD	BOLT, HEX	M14	50	2
7		FLAT WASHER	M14		2
8		SPR WAHSER	M14		2
REAR ARM CONNECTION					
S.NO	THREAD	DESCRIPTION	SIZE	LG	QTY
9		BOLT, HEX	M10	80	6
10		SPR WASHER	M10		6
11		FLAT WASHER	M10		6
X-MEMBER CONNECTION					
S.NO	THREAD	DESCRIPTION	SIZE	LG	QTY
12	SEMI THREAD	BOLT, HEX	M12	60	4
13		FLAT WASHER	M12		8
14		HEX NUT	M12		4
MAIN PLATE					
S.NO	THREAD	DESCRIPTION	SIZE	LG	QTY
15	FINE BOLT 1.25mm	BOLT, HEX	M12	65	10
16	FINE BOLT 1.25mm	BOLT, HEX	M12	70	2
17		SPR WASHER	M12		12
18	5MM THK	SPACIAL FLAT WASHER	M12		12
VALVE MOUNTING					
S.NO	THREAD	DESCRIPTION	SIZE	LG	QTY
19	SEMI THREAD	BOLT, HEX	M12	55	2
20		FLAT WASHER	M12		4
21		NYLOC NUT	M12		2
22	FULL THREAD	BOLT, HEX	M16	30	1
23	SEMI THREAD	BOLT, HEX	M8	40	3
24		FLAT WASHER	M8		3
25		NYLOC NUT	M8		3

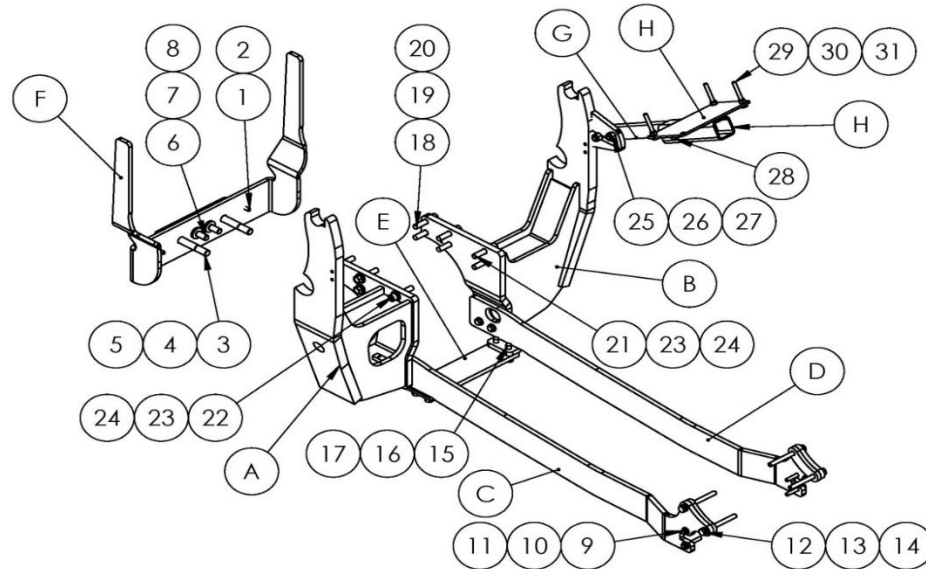
5.4. SOLIS 24 EPA 9+9 HPYDRAULIC FITTING INSTRUCTION



5.5. SOLIS 26 FACE LIFT HARDWARE

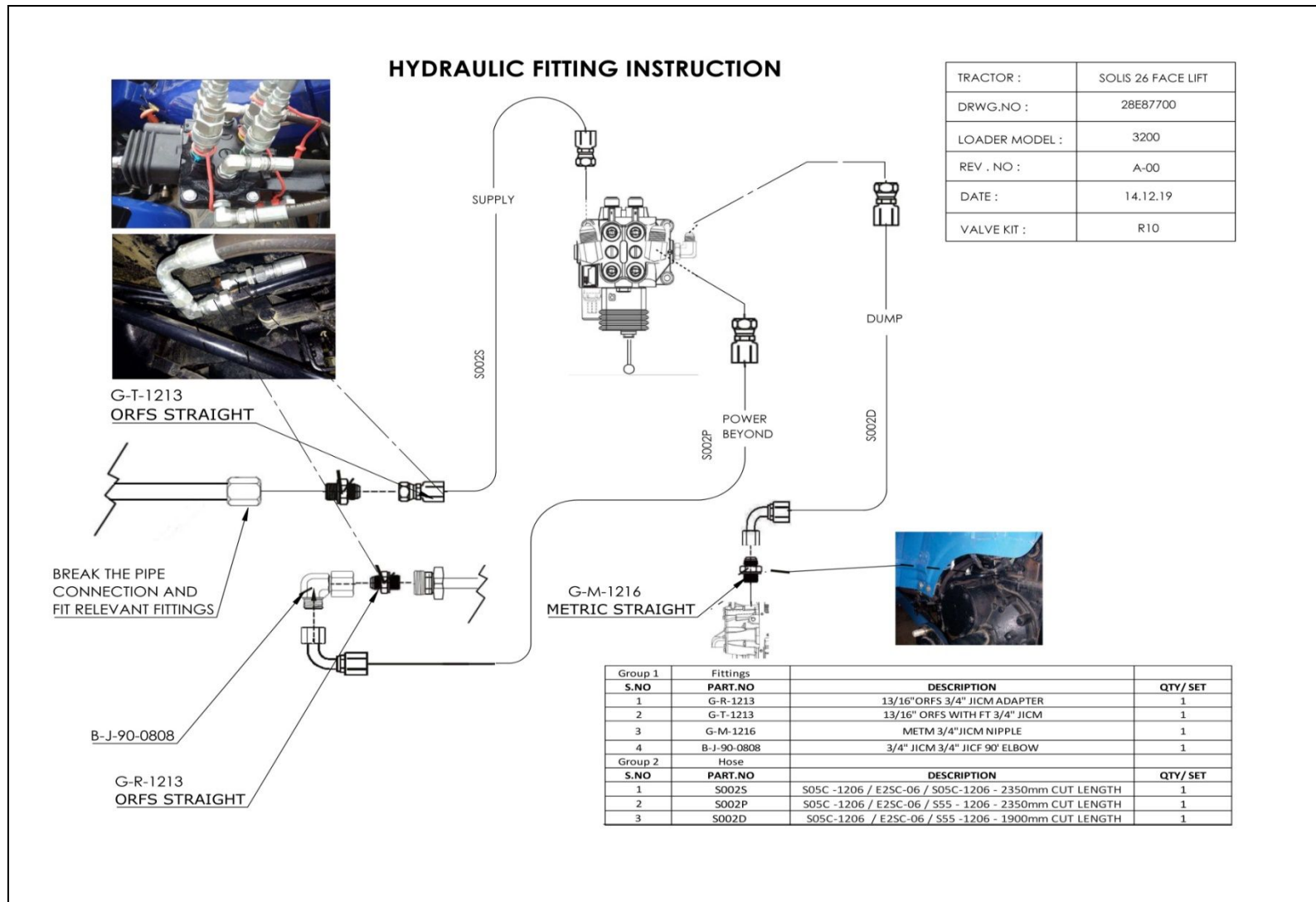
HORN PLATE CONNECTION					
S.NO	THREAD	DESCRIPTION	SIZE	LG	QTY
1	FULL THREAD	BOLT, HEX	M8	15	2
2		FLAT WASHER	M8		2
3	SEMI THREAD	BOLT, HEX	M16	200	2
4		FLAT WASHER	M16		2
5		SPR WAHSER	M16		2
6	SEMI THREAD	BOLT, HEX	M14	50	2
7		FLAT WASHER	M14		2
8		SPR WAHSER	M14		2
REAR ARM CONNECTION					
S.NO	THREAD	DESCRIPTION	SIZE	LG	QTY
9	SEMI THREAD	BOLT, HEX	M8	50	4
10		FLAT WASHER	M8		8
11		NYLOC NUT	M8		4
12		BOLT, HEX	M10	110	4
13		SPR WASHER	M10		4
14		FLAT WASHER	M10		4
X MEMBER CONNECTION					
S.NO	THREAD	DESCRIPTION	SIZE	LG	QTY
15	FULL THREAD	BOLT, HEX	M12	30	4
16		SPR WASHER	M12		4
17		FLAT WASHER	M12		4
MAIN PLATE					
S.NO	THREAD	DESCRIPTION	SIZE	LG	QTY
18	SEMI THREAD	BOLT, HEX	M12	55	4
19		FLAT WASHER	M12		8
20		NYLOC NUT	M12		4
21	FINE BOLT 1.25mm	SEMI THREAD, HEX	M12	50	8
22	FINE BOLT 1.25mm	SOCKET CUP (SHA	M12	50	4
23		SPR WASHER	M12		12
24		FLAT WASHER	M12		12
VALVE MOUNTING					
S.NO	THREAD	DESCRIPTION	SIZE	LG	QTY
25	SEMI THREAD	BOLT, HEX	M12	55	2
26		FLAT WASHER	M12		4
27		NYLOC NUT	M12		2
BUCHERN VALVE					
28	FULL THREAD	BOLT, HEX	M16	30	1
29	SEMI THREAD	BOLT, HEX	M8	40	3
30		FLAT WASHER	M8		3
31		NYLOC NUT	M8		3

TRACTOR MODEL :	SOLIS 26	LOADER MODEL :	3200
DRWG. NO.	28E8770	REV. NO :	REV 2
		DATE :	29/01/19



SOLIS 26HP FACELIFT SUBFRAME SPARES			
S.NO	PART NO	DESCRIPTION	QTY
A	LH SUBFRAME	28I27000	1
B	RH SUBFRAME	28I27100	1
C	LH REAR ARM	28I27200	1
D	RH REAR ARM	28I27300	1
E	CROSS MEMBER	28I27400	1
F	RAMSHORN	28005610	1
G	VALVE MOUNT BAR	50011920	1
H	VALVE MOUNT TUBE	03-0703	1
I	VALVE MOUNT PLATE	5002B05	1

5.6. SOLIS 26 FACE LIFT HYDRAULIC FITTING INSTRUCTION



5.7. SOLIS 26 – 30

Tractor Model :	26-30 HP HST STD VALVE TYPE	Loader model :	3200
Drwg. No.:	28E34000	Rev. No.:	A-02
		Date:	28.01.2020

HORN PLATE CONNECTION					
S.NO	THREAD	DESCRIPTION	SIZE	LG	QTY
1	FULL THREAD	BOLT, HEX	M8	15	2
2		FLAT WASHER	M8		2
3	SEMI THREAD	BOLT, HEX	M16	200	2
4		FLAT WASHER	M16		2
5		SPR WASHER	M16		2
6	SEMI THREAD	BOLT, HEX	M14	50	2
7		FLAT WASHER	M14		2
8		SPR WAHSER	M14		2

X-MEMBER CONNECTION					
S.NO	THREAD	DESCRIPTION	SIZE	LG	QTY
9	SEMI THREAD	BOLT, HEX	M12	45	4
10		NYLOC NUT	M12		4
11		FLAT WASHER	M12		8

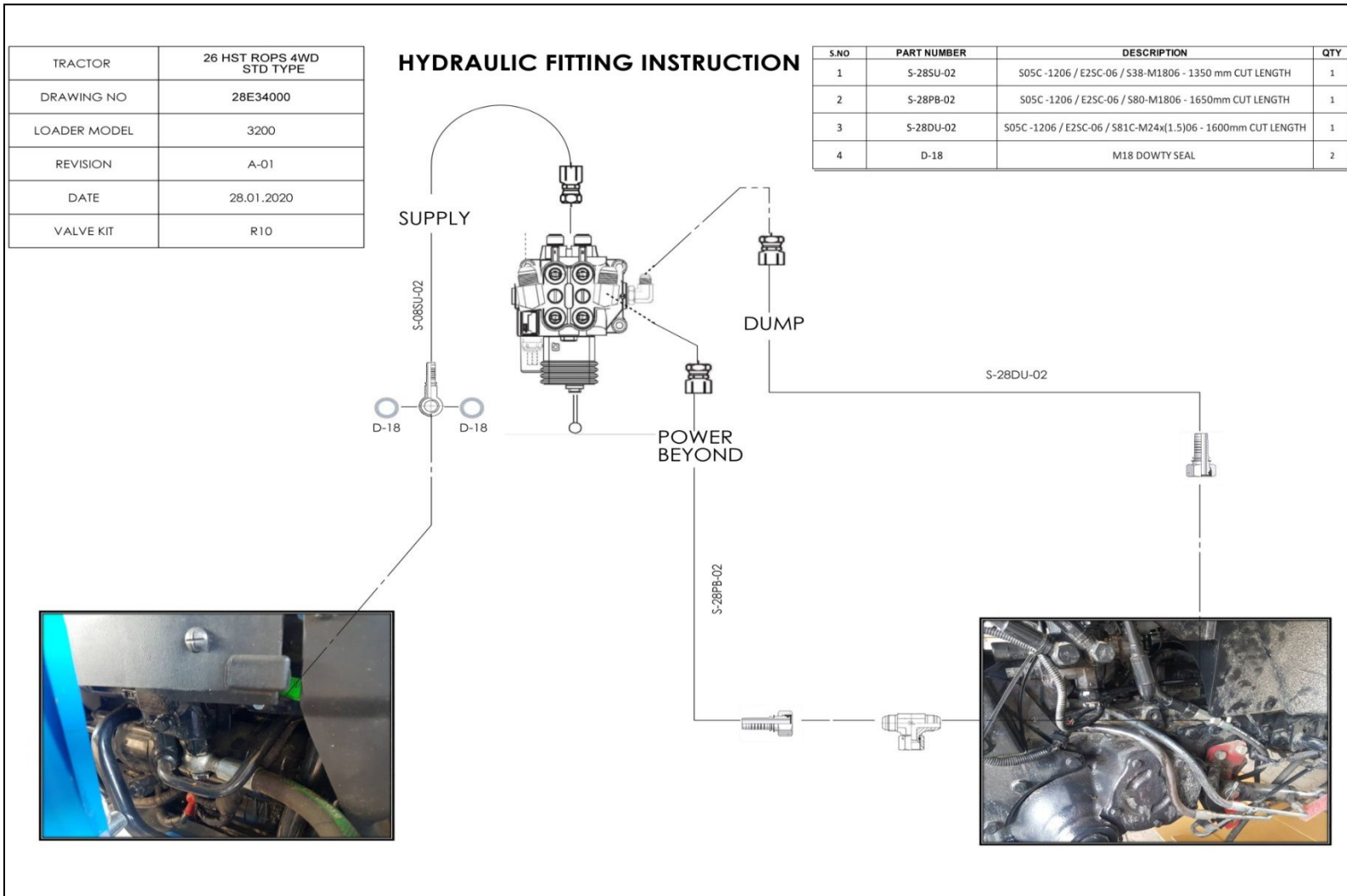
MAIN PLATE					
S.NO	THREAD	DESCRIPTION	SIZE	LG	QTY
12	SEMI THREAD	BOLT, HEX	M16	75	8
13	SEMI THREAD	BOLT, HEX	M16	50	8
14		FLAT WASHER	M16		20
15		SPRING WASHER	M16		12
16		NYLOC NUT	M16		4

VALVE MOUNT					
S.NO	THREAD	DESCRIPTION	SIZE	LG	QTY
17	SEMI THREAD	BOLT, HEX	M12	55	2
18		FLAT WASHER	M12		4
19		NYLOC NUT	M12		2
20	FULL THREAD	BOLT, HEX	M16	30	1

BUCHER VALVE					
S.NO	THREAD	DESCRIPTION	SIZE	LG	QTY
21	SEMI THREAD	BOLT, HEX	M8	40	3
22		NYLOC NUT	M8		3
23		FLAT WASHER	M8		3

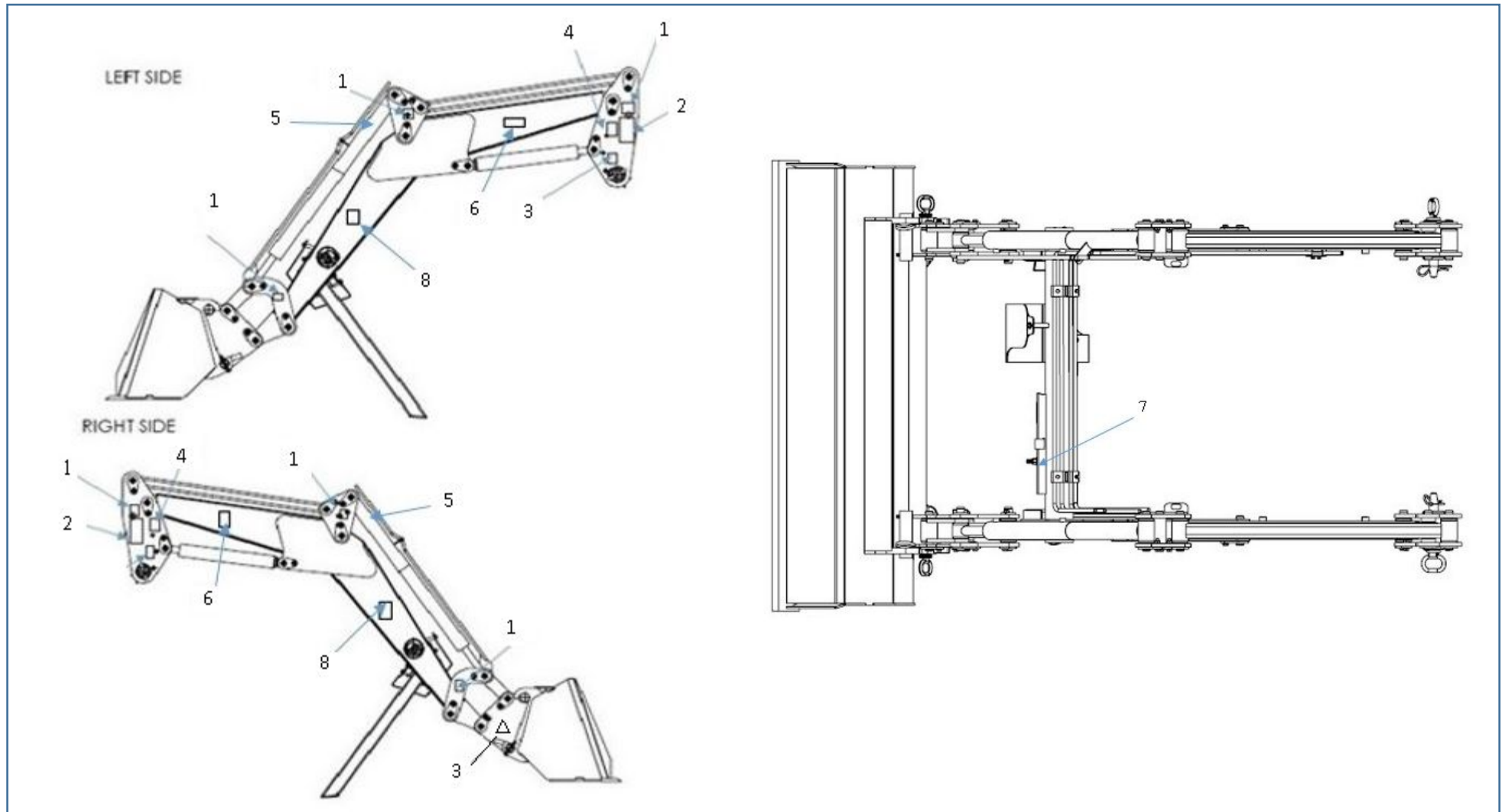
SOLIS 26HP HST SUBFRAME SPARES			
S.NO	PART NO	DESCRIPTION	QTY
A	LH SUBFRAME	28I27500	1
B	RH SUBFRAME	28I27600	1
C	CROSS MEMBER	28004212	1
D	RAMSHORN	28759010	1
E	VALVE MOUNT BAR	50011920	1
F	VALVE MOUNT TUBE	03-0703	1
G	VALVE MOUNT PLATE	5002B05	1

5.8. SOLIS 26-30`HYDRAULIC FITTING INSTRUCTION

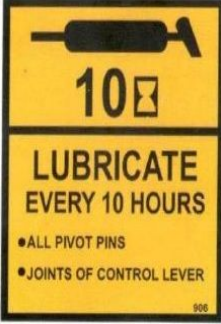






6. STICKERS

6.1. SAFETY DECALS LOCATION FOR 3200 MSL

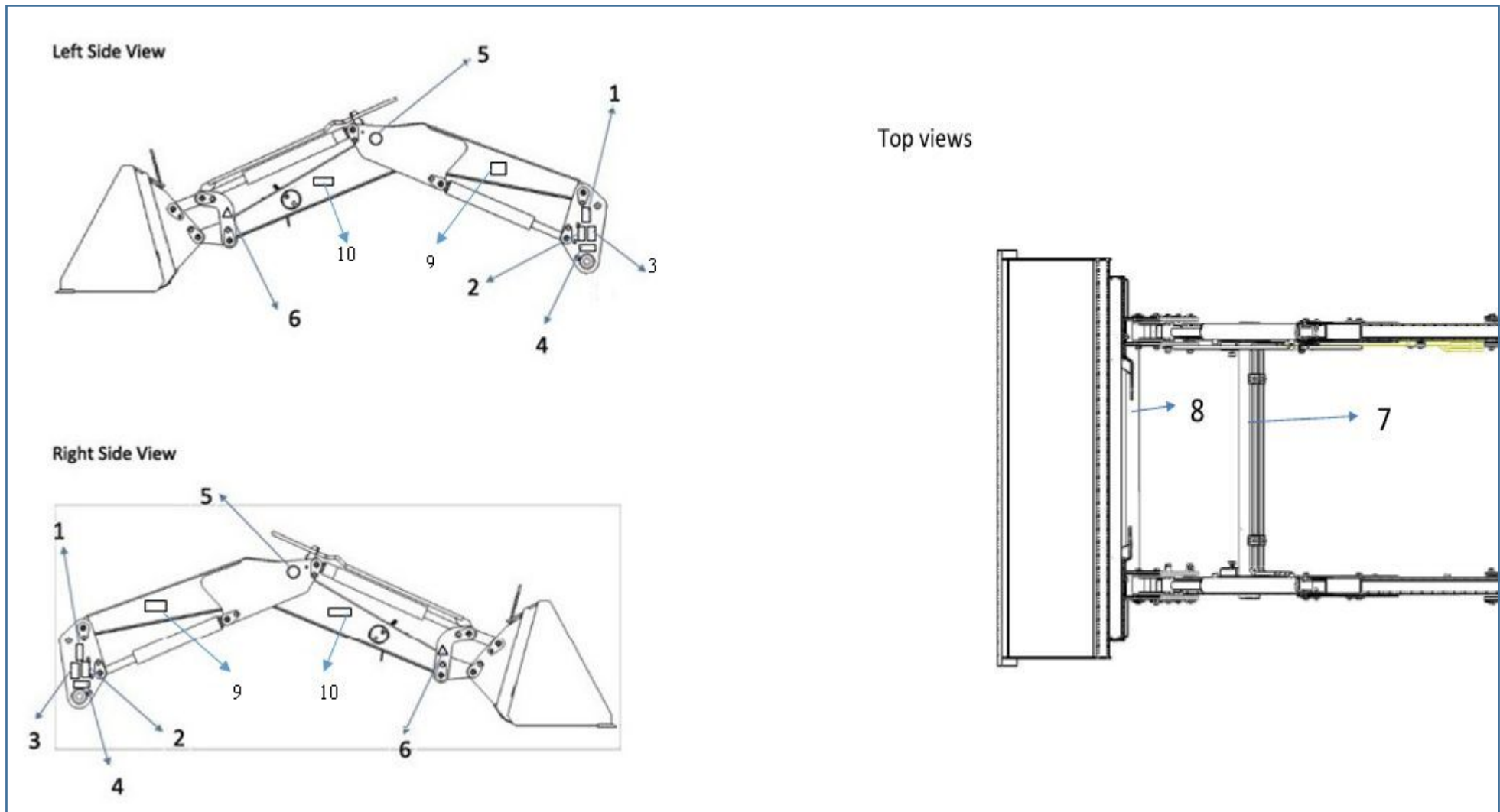


S.No	Part Nos	Sticker 3200 Msl	Description	Msl 3200
				Qty
1	922-S		Crushing Hazard Label / Pinch Point	4
2	905		Warning Label	2
3	901		Locking pin must be fitted	4




4	906		Maintenance Label	2
5	902		Lifting Point Label	2
6	911		Solis Sticker	




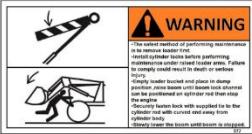
7	917		Warning While Servicing	1
8	3200		Model Number	2




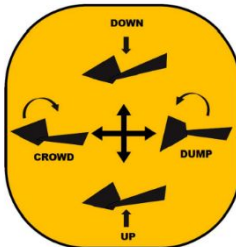
6.2. SAFETY DECALS LOCATION FOR 3200 NSL;



STICKER TABLE

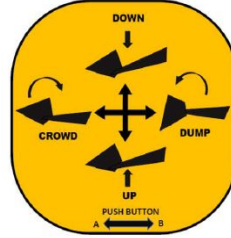
S.No	Part Nos	Sticker Image	Description	Qty
1	927		Crushing Hazard Label	2
2	922		Carry Passenger Label	2
3	921		Read The Operator Manual Label	2

4	924		Stay Clear Of Raised Loader Label	2
5	902		Lifting Point Label	2
6	922		Pinch Point Label	2
7	977		Warning	1

8	923		Warning Label	0
9	911		Solis Sticker	2
10	3200		Model Number	2
11	925		Loader Movements Direction	1

12

926



Loader Movements With Third Function

1