



International Tractors Ltd.

Parts Catalogue

GardenTrac Models (DI-20 GT, SOLIS-20, SOLIS-20 FACELIFT)



INDEX

Sr. No.	Group
1	MUFFLER ASSY.
2	RADIATOR COOLANT ASSY
3	AIR CLEANER ASSY.
4	FLYWHEEL, RING GEAR CLUTCH ASSY WITH ENGINE
5	CLUTCH HOUSING & RELATED PARTS
6	SHIFTER HOUSING ASSY.
7	TRANSMISSION HOUSING & RELATED PARTS
8	BP SHAFT, BULL GEAR REAR AXLE ASSY
9	BRAKE ASSY
10	REAR COVER ASSY & RELATED PARTS
11	DRIVER SEAT ASSY.
12	FENDER ASSY.
13	FLOOR ASSY.
14	SMV EMBLEM
15	BONNET ASSY & RELATED PARTS
16	PULL TO STOP ASSY.
17	FUEL TANK ASSY. & RELATED PARTS
18	BRAKE PEDAL & CLUTCH PEDAL ASSY.
19	FRONT AXLE BKT & RELATED PARTS
20	FRONT AXLE & RELATED PARTS
21	THREE POINT LINKAGE ASSY.
22	FOOT ACCELERATOR LINKAGES ASSY.
23	STEERING ASSY.
24	VARIOUS STICKERS.
25	FRONT & REAR TYRE.
26	ELECTRICAL & RELATED PARTS
27	ACCESSORIES

PARTS CATALOGUE INDEX

Sr.	Sub Chapter	Description	Model
1	01110A-1-1	MUFFLER ASSY.	DI-20 GT, SOLIS-20
2	02110A-1-1	RADIATOR & COOLANT ASSY	DI-20 GT, SOLIS-20, SOLIS-20 FACELIFT
3	02110A-2-2	RADIATOR SEALING DETAILS	DI-20 GT, SOLIS-20
4	02111A-1-1	RADIATOR SEALING	SOLIS-20 FACELIFT
5	02120A-1-1	RADIATOR HOSE ASSY.	DI-20 GT, SOLIS-20
6	02130A-1-1	COOLANT TANK ASSY.	DI-20 GT, SOLIS-20
7	02131A-1-1	COOLANT TANK ASSY	SOLIS-20 FACELIFT
8	03110A-1-1	AIR CLEANER ASSY.	DI-20 GT, SOLIS-20
9	03111A-1-1	CHILD PARTS DETAILS OF AIR CLEANER ASSY.	DI-20 GT, SOLIS-20
10	03120A-1-1	DRY AIR CLEANER	SOLIS-20
11	04110A-1-1	FLYWHEEL, RING GEAR & CLUTCH ASSY WITH ENGINE	DI-20 GT, SOLIS-20
12	05110A-1-1	CLUTCH HOUSING & UNIVERSAL JOINT	DI-20 GT, SOLIS-20
13	05120A-1-1	INPUT SHAFT & 4WD SHAFT ASSY WITH FRONT COVER HSG.	DI-20 GT, SOLIS-20
14	05130A-1-1	INTERMEDIATE SHAFT & IDLER ASSY.	DI-20 GT, SOLIS-20
15	06110A-1-1	SHIFTER HOUSING ASSY.	DI-20 GT, SOLIS-20

Sr.	Sub Chapter	Description	Model
16	07110A-1-1	TRANSMISSION HOUSING	DI-20 GT, SOLIS-20
17	07120A-1-1	PTO LAY SHAFT SUB-ASSY.	DI-20 GT, SOLIS-20
18	07130A-1-1	PTO LEVER ASSY	DI-20 GT, SOLIS-20
19	07140A-1-1	PTO INTERMEDIATE SHAFT, GEARS END COVER ASSY.	DI-20 GT, SOLIS-20
20	07141A-1-1	PTO INTERMEDIATE SHAFT, GEARS END COVER ASSY.	DI-20 GT, SOLIS-20
21	07150A-1-1	TAIL PINION SHAFT ASSY.	DI-20 GT, SOLIS-20
22	07160A-1-1	DIFFERENTIAL CAGE CROWN WHEEL ASSY.	DI-20 GT, SOLIS-20
23	08110A-1-1	BP SHAFT, BULL GEAR & REAR AXLE ASSY.	DI-20 GT, SOLIS-20
24	09110A-1-1	BRAKE ASSY.	DI-20 GT, SOLIS-20
25	10110A-1-1	REAR COVER ASSY.	DI-20 GT, SOLIS-20
26	10120A-1-1	PIPE ROUTING ASSY.	DI-20 GT, SOLIS-20
27	10121A-1-1	PRIORITY VALVE POWER STEERING	SOLIS-20 EU FACELIFT(POWER STG.)
28	10122A-1-1	POWER STEERING PIPES	SOLIS-20 EU FACELIFT(POWER STG.)
29	10130A-1-1	LIFT BODY ASSEMBLY (CHILD PART DETAILS OF 10051219)	DI-20 GT, SOLIS-20
30	10130A-2-2	CONTROL VALVE ASSY (CHILD PART DETAILS OF 10051219)	DI-20 GT, SOLIS-20
31	10140A-1-1	CYLINDER ASSEMBLY (CHILD PART DETAILS OF 10051219)	DI-20 GT, SOLIS-20

Sr.	Sub Chapter	Description	Model
32	10150A-1-1	CONTROL LEVERS ASSY (CHILD PART DETAILS OF 10051219)	DI-20 GT, SOLIS-20
33	10160A-1-1	INTERNAL LEVERS ASSY (CHILD PART DETAILS OF 10051219)	DI-20 GT, SOLIS-20
34	10170A-1-1	DCV ASSY.(ISA DCV)	SOLIS-20
35	10180A-1-1	DCV ASSY.(IDA DCV)	SOLIS-20
36	10190A-1-1	REAR COVER ASSY.(TIPPING TRAILER ASSY 10053147AC)	DI-20 GT WITH TIPPING TRAILOR
37	10191A-1-1	TIPPING TRAILER ASSY OF 10053147AC	DI-20 GT WITH TIPPING TRAILOR 10053147AC
38	10192A-1-1	CYLINDER ASSY OF 10053147AC	DI-20 GT WITH TIPPING TRAILOR 10053147AC
39	10193A-1-1	INTERNAL LEVER ASSY OF 10053147AC	DI-20 GT WITH TIPPING TRAILOR 10053147AC
40	10194A-1-1	COMMAND LEVER ASSY OF 10053147AC	DI-20 GT WITH TIPPING TRAILOR 10053147AC
41	10200A-1-1	STG. UNIT ASSY	SOLIS-20 EU FACELIFT(POWER STG.)
42	11110A-1-1	FENDOR SUPPORT BAR, TOOL BOX & SEAT ASSY	DI-20 GT
43	11120A-1-1	DRIVER SEAT ASSY.	SOLIS-20
44	12110A-1-1	FENDER ASSY.	DI-20 GT
45	12111A-1-1	FENDERS & FLOOR ASSY.	SOLIS-20
46	12112A-1-1	FENDERS	SOLIS-20 FACELIFT
47	12120A-1-1	FENDER ASSY.	DI-20 GT

Sr.	Sub Chapter	Description	Model
48	12130A-1-1	FENDER & ROLL OVER PROTECTION	SOLIS-20
49	13110A-1-1	FLOOR & PARKING BRAKE	DI-20 GT, SOLIS-20
50	13111A-1-1	PARKING BRAKE	SOLIS-20 FACELIFT
51	13112A-1-1	REAR FLOOR,PLASTIC SIDE COVERS AND RUBBER FLOOR MATS	DI-20 GT EXCEPT ADDC OPTION
52	14110A-1-1	SMV EMBLEM	DI-20 GT, SOLIS-20
53	15110A-1-1	FRONT MESH ASSY.	DI-20 GT, SOLIS-20
54	15120A-1-1	BONNET ASSY.	DI-20 GT, SOLIS-20
55	15130A-1-1	BONNET WITH F.A.B ASSY.	DI-20 GT, SOLIS-20
56	15140A-1-1	BONNET ASSY	SOLIS-20 FACELIFT
57	15141A-1-1	FUSE BOX MTG. PS	SOLIS-20 EU FACELIFT(POWER STG.)
58	16110A-1-1	PULL TO STOP ASSY.	DI-20 GT, SOLIS-20
59	17110A-1-1	FUEL TANK ASSY.	DI-20 GT, SOLIS-20
60	17111A-1-1	FUEL TANK	SOLIS-20 FACELIFT
61	17112A-1-1	HAND ACCELERATOR AREA POWER STEERING	SOLIS-20 EU FACELIFT(POWER STG.)
62	17120A-1-1	FUEL TANK RELATED ASSY.	DI-20 GT, SOLIS-20
63	17121A-1-1	DASHBOARD	SOLIS-20 FACELIFT

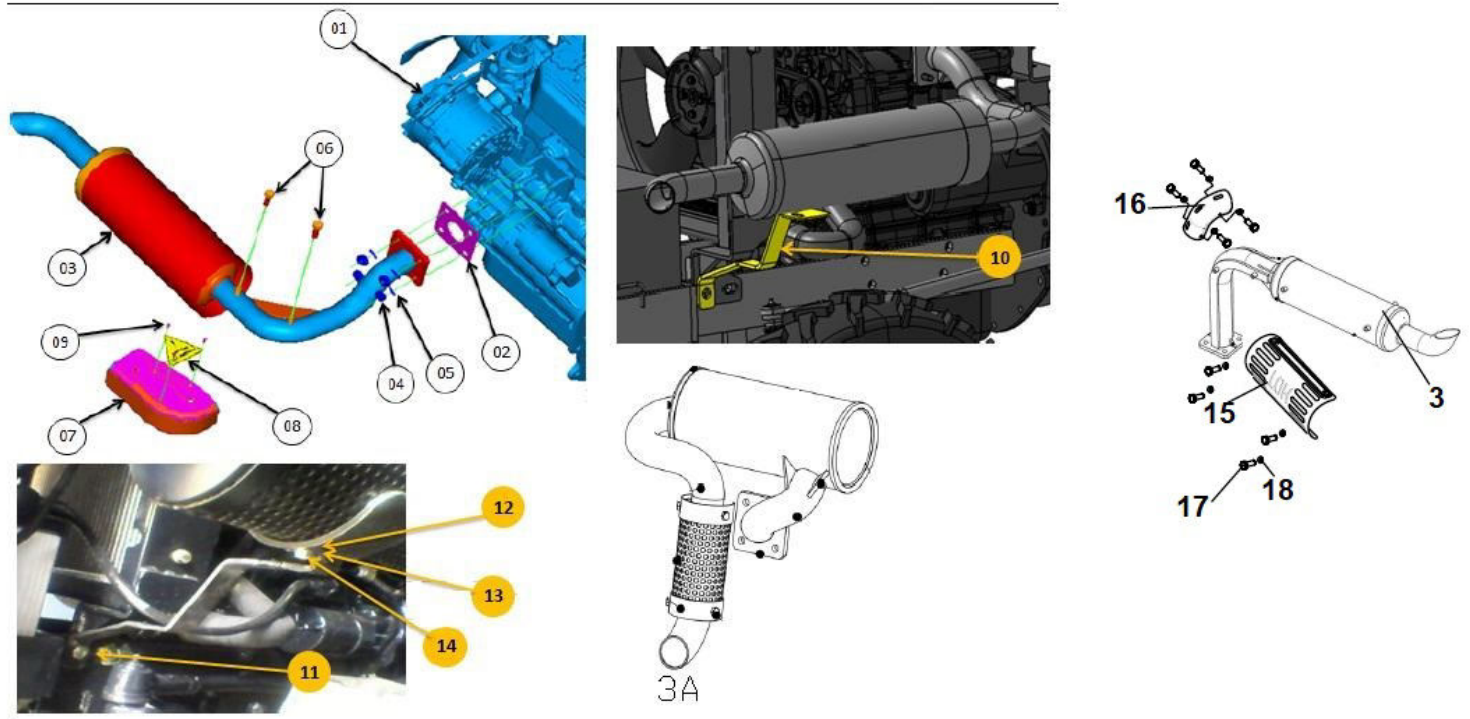
Sr.	Sub Chapter	Description	Model
64	17122A-1-1	STEERING BELLOW PS	SOLIS-20 EU FACELIFT(POWER STG.)
65	17130A-1-1	FUEL PIPES ASSY.	DI-20 GT, SOLIS-20
66	17140A-1-1	FUEL PIPES	DI-20 GT, SOLIS-20
67	17141A-1-1	FUEL PIPES	DI-20 GT, SOLIS-20
68	17150A-1-1	FUEL FILTER ASSY WITH ENGINE	DI-20 GT, SOLIS-20
69	18110A-1-1	BRAKE PEDAL ASSY.	DI-20 GT, SOLIS-20
70	18111A-1-1	BRAKE PEDAL ASSY.	SOLIS-20 FACELIFT
71	18120A-1-1	CLUTCH PEDAL ASSY.	DI-20 GT, SOLIS-20
72	19110A-1-1	FRONT AXLE BKT.& RELATED.	DI-20 GT, SOLIS-20
73	19111A-1-1	FRONT AXLE PS	SOLIS-20 EU FACELIFT(POWER STG.)
74	19120A-1-1	FRONT AXLE BKT & FRONT WEIGHT.	DI-20 GT, SOLIS-20
75	19121A-1-1	FRONT AXLE BRACKET & FRONT WEIGHT	SOLIS-20 FACELIFT
76	20110A-1-1	FRONT AXLE -CAGE ASSY.	DI-20 GT, SOLIS-20
77	20120A-1-1	FRONT AXLE- STUB AXLE & COVER ASSY	DI-20 GT, SOLIS-20
78	20130A-1-1	FRONT AXLE - TAIL PINION ASSY.	DI-20 GT, SOLIS-20
79	20140A-1-1	FRONT AXLE- TRUMPET ASSY.	DI-20 GT, SOLIS-20

Sr.	Sub Chapter	Description	Model
80	20150A-1-1	STG. CYLINDER ASSY	SOLIS-20 EU FACELIFT(POWER STG.)
81	21110A-1-1	THREE POINT LINKAGE ASSY.	DI-20 GT, SOLIS-20
82	21112A-1-1	THREE POINT LINKAGES ASSY (MODIFIED).	DI-20 GT, SOLIS-20
83	21120A-1-1	REAR HOOK ASSY.	DI-20 GT, SOLIS-20
84	21130A-1-1	SWINGING DRAW BAR	SOLIS-20
85	21140A-1-1	CLEVIS TYPE HITCH	SOLIS-20
86	21150A-1-1	SEMI AUTOMATIC CLEVIS HITCH	SOLIS-20
87	22110A-1-1	FOOT ACCELERATOR & LINKAGES ASSY.	DI-20 GT, SOLIS-20
88	23110A-1-1	STEERING ASSY.	DI-20 GT, SOLIS-20
89	23120A-1-1	STEERING ASSY.-RANE	DI-20 GT, SOLIS-20
90	23130A-1-1	POWER STEERING COLUMN	SOLIS-20 EU FACELIFT(POWER STG.)
91	24110A-1-1	VARIOUS STICKERS.	DI-20 GT, SOLIS-20
92	24110A-2-2	VARIOUS STICKERS.	DI-20 GT, SOLIS-20
93	24111A-1-1	STICKERS	SOLIS-20 FACELIFT
94	24111A-2-2	STICKERS	SOLIS-20 FACELIFT
95	24111A-3-3	STICKERS	SOLIS-20 EU FACELIFT(POWER STG.)

Sr.	Sub Chapter	Description	Model
96	25110A-1-1	FRONT TYRE.	DI-20 GT, SOLIS-20 WITHOUT TURF TYRE
97	25111A-1-1	FRONT TYRE.	SOLIS-20 (TURF TYRE)
98	25120A-1-1	REAR TYRE.	DI-20 GT, SOLIS-20 WITHOUT TURF TYRE
99	25130A-1-1	REAR TYRE.	SOLIS-20 (TURF TYRE)
100	26110A-1-1	ALTERNATOR & STARTER ASSY	DI-20 GT, SOLIS-20
101	26120A-1-1	FRONT PANEL ASSY.	DI-20 GT, SOLIS-20
102	26121A-1-1	FRONT PANEL ASSY.	SOLIS-20 FACELIFT
103	26130A-1-1	ELECTRICAL MISC.	DI-20 GT, SOLIS-20
104	26131A-1-1	ELECTRICALS & MISC.	SOLIS-20 FACELIFT
105	26131A-3-3	ELECTRICALS & MISC	SOLIS-20 EU FACELIFT(POWER STG.)
106	26132A-1-1	INSTRUMENT CLUSTER ASSY.	SOLIS-20 FACELIFT
107	27110A-1-1	ACCESSORIES	DI-20 GT, SOLIS-20

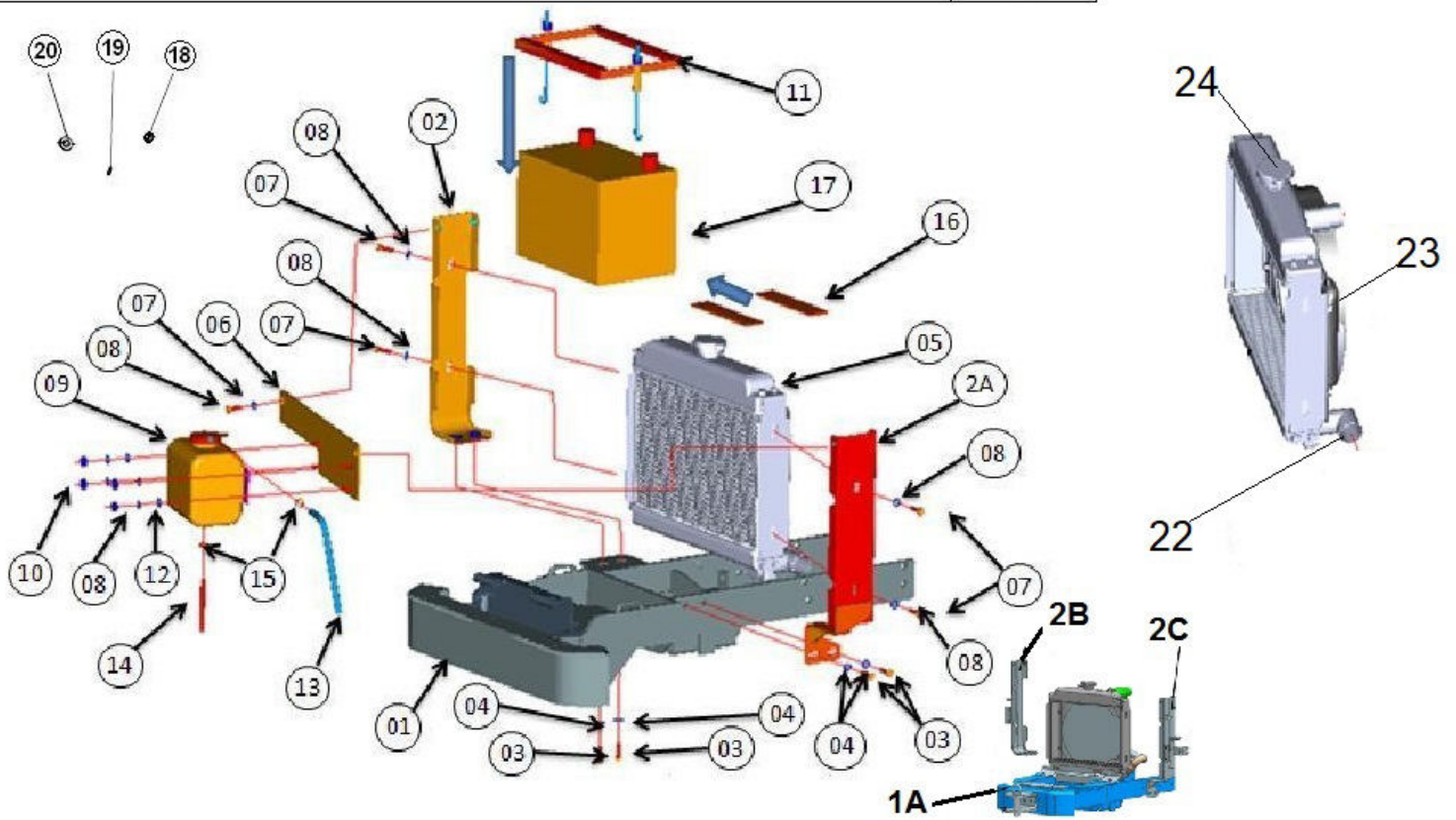
01110A-1/1

MUFFLER ASSY.



Sr.	Model	Item Code	Description	Qty	Int.	Remarks	Cut Off
2	ALL MODELS	300113213A	GASKET FOR EXHAUST	1			
11	ALL MODELS EXCEPT SOLIS-20	20005544AA	HEX BOLT M10X1.5X40 SA4GS	1			
3	ALL MODELS EXCEPT SOLIS-20	10051327CA	MUFFLER ASSY	01	NO		FMGSE418938G
11	ALL MODELS EXCEPT SOLIS-20	20003991AA	HEX BOLT M10 x 1.5 x 40- 8.8 SA2JS	01		INTERCHANGEABLE WITH 20005544AA (ROHS)	
11	ALL MODELS EXCEPT SOLIS-20	20003991AB	HEX BOLT M10 x 1.5 x 40- 8.8 SA2JS	01	YES	INTERCHANGEABLE WITH 20005544AA (ROHS)	
12	ALL MODELS EXCEPT SOLIS-20	20003517AA	HEX FLANGE SCREW M6 x 1 x 16 - 8.8 SA2JS	01		INTERCHANGEABLE WITH 20005542AA	

Sr.	Model	Item Code	Description	Qty	Int.	Remarks	Cut Off
						(ROHS)	
13	ALL MODELS EXCEPT SOLIS-20	04030600006	PLAIN WASHER DIA 6.4 x DIA 18 x 1.5	01			
14	ALL MODELS EXCEPT SOLIS-20	04030600006	PLAIN WASHER DIA 6.4 *DIA 18 *1.5	01			
3A	SOLIS-20	10052442AB	UNDERHOOD SLENCER FOR GT	01			
3A	SOLIS-20	10052442AD	UNDERHOOD SLENCER FOR GT	01	YES		MEMMMGSE400271G
3	ALL MODELS EXCEPT SOLIS-20	10051327BE	MUFFLER ASSY	01	YES		KMGSD314525G
10	ALL MODELS EXCEPT SOLIS-20	10052363AA	MUFFLER SUPPORT BRKT ASSY	01			
1	ALL MODELS	10051080AA	ENGINE ASSY	1			
2	ALL MODELS	10051328AA	GASKET FOR EXHAUST	1		INTERCHANGEABLE WITH 300113213A (ROHS)	
3	ALL MODELS EXCEPT SOLIS-20	10051327BD	MUFFLER ASSY	01			
4	ALL MODELS	20003355AB	HEX NUT M8 X 1.25- 8 SA2JS	4		INTERCHANGEABLE WITH 200000391A (ROHS)	
5	ALL MODELS	04030400008	SPRING WASHER B-8	4		INTERCHANGEABLE WITH 20005517AA (ROHS)	
6	ALL MODELS	-	HEX HEAD SCREW M6 X 10- 8.8 SA3NS	06		QTY.4 SUB PART OF S.NO. 3-MUFFLER ASSY.	
7	ALL MODELS	-	MESH ASSY EXHAUST ELBOW	01		SUB PART OF S.NO.3-MUFFLER ASSY.	
8	ALL MODELS	10070549AB	METALLIC STICKER (FOR HOT SURFACE)	1			
9	ALL MODELS	10000636AA	RIVET DIA 3 (POP)	3			
3	DI-20 GT	10051327CF	EXHAUST MUFFLER	1	YES		DMGSG775092G
15	DI-20 GT	300022407A	EXHAUST COVER GT	1		SUB PART OF 10051327CF	DMGSG775092G
16	DI-20 GT	300022408A	EXHAUST ELBOW COVER	1		SUB PART OF 10051327CF	DMGSG775092G
17	DI-20 GT	20004440AA	HEX SCREW M6X10 8.8 SA2JS	8		SUB PART OF 10051327CF	DMGSG775092G
18	DI-20 GT	20003389AB	PLAIN WASHER A 6.4 IS:5370 STEEL	8		SUB PART OF 10051327CF	DMGSG775092G
5	ALL MODELS	20005517AA	SPRING WASHER B-8 TYPE A IS: 3067-1972	4	YES		
1	SOLIS-20 FACELIFT EU MODELS	300043622A	MHI ENGINE STAGE V L3E 18HP	1	YES	STAGE V ENGINE	MEMRMGSNSBKH03862
4	SOLIS-20 EU FACELIFT (POWER STG.)	20005504AA	HEX NUT M8X1.25 -8 SA4GS	4			
11	SOLIS-20 EU FACELIFT (POWER STG.)	20005544AA	HEX BOLT M10X1.5X40 SA4GS	1			
12	SOLIS-20 EU FACELIFT (POWER STG.)	20005542AA	HEX FLANGE SCREW M6*1*16 -8.8 SA4GS	1			



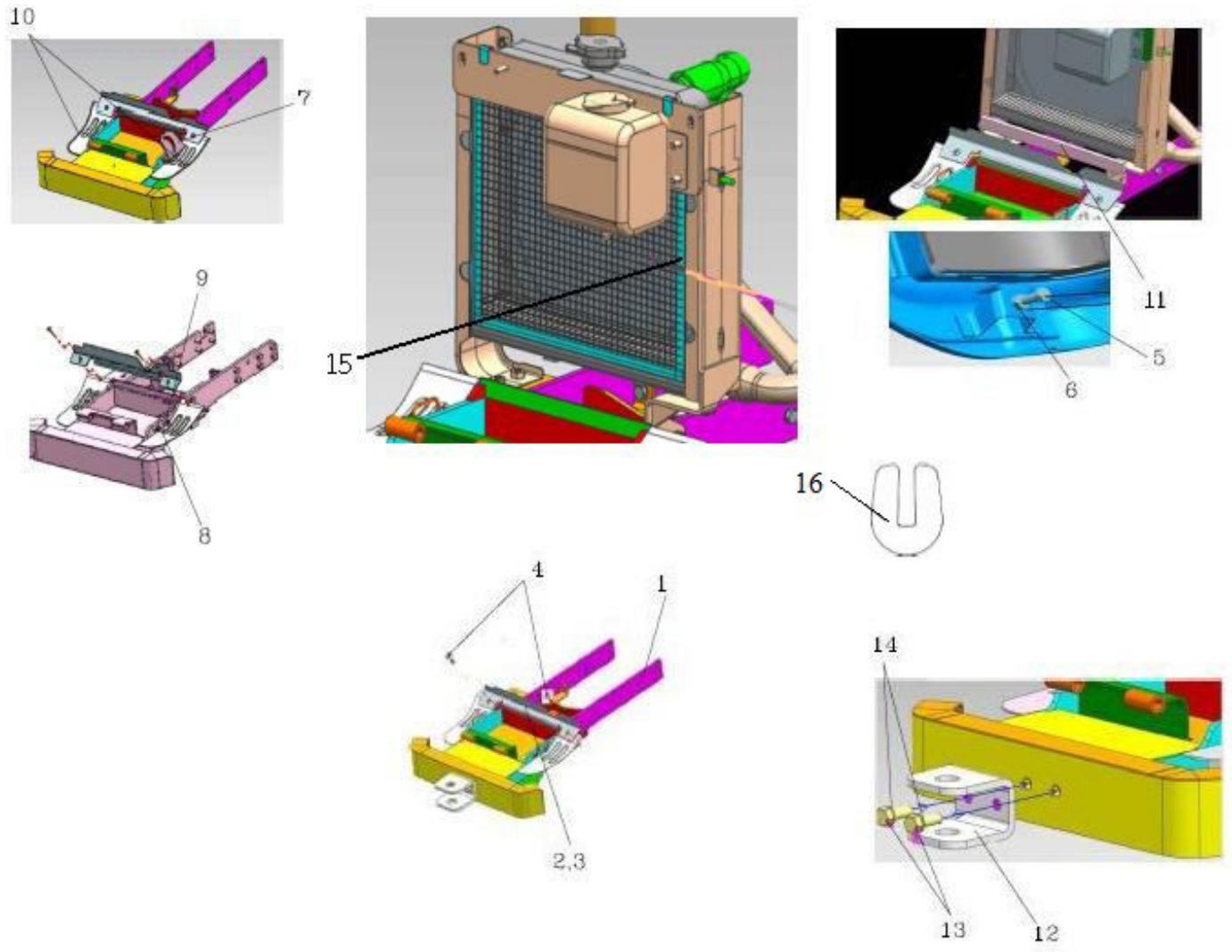
Sr.	Model	Item Code	Description	Qty	Int.	Remarks	Cut Off
11	SOLIS-20 FACELIFT	10054084AC	BATTERY CLAMP ASSY.	1			
22	ALL MODELS	10036298AA	BOTTOM PIPE FLANGE	1		CHILD PART OF 10051890AC	
23	ALL MODELS	10036299AA	SHROUD	1		CHILD PART OF 10051890AC	
24	ALL MODELS	10036300AA	PRESSURE CAP?	1		CHILD PART OF 10051890AC	
17	ALL MODELS	10055128AA	MAINTENANCE FREE BATTERY 12V, 65AH & 540	1	YES		KMGST689791G
1	SOLIS-20 EXCEPT FACELIFT	10051947AB	FRONT AXLE BRACKET	1			
1	SOLIS-20 EXCEPT FACELIFT	10051947AH	FRONT AXLE BRACKET	1	NO	BONNET STAY MODIFICATION AND RADIATOR SEALING	MEMEMGSU510327G

Sr.	Model	Item Code	Description	Qty	Int.	Remarks	Cut Off
						RELATED MODIFICATION	
1	DI-20 GT	10051033BL	FRONT AXLE BRACKET	1	NO	BONNET STAY MODIFICATION AND RADIATOR SEALING RELATED MODIFICATION	EMGSU508154G
9	ALL MODELS	10023524AB	COOLANT ASSY	1	YES	INTERCHANGEABLE WITH 10023524AC (ROHS)	FZUDE418742S3
6	ALL MODELS EXCEPT SOLIS-20 FACELIFT	10051050BC	FRONT MTG PLATE (RADIATOR)	1	YES		GMGSE416344G
18	ALL MODELS	20003354AB	HEX NUT M6 -8 SA2JS	1		NEW PART ADDED WITH 10051050BC FROM	GMGSE416344G
19	ALL MODELS	04030400006	SPRING WASHER B-6	1		NEW PART ADDED WITH 10051050BC FROM	GMGSE416344G
20	ALL MODELS	04030600006	PLAIN WASHER DIA 6.4 *DIA 18 *1.5	1		NEW PART ADDED WITH 10051050BC FROM	GMGSE416344G
3	ALL MODELS	20003235AB	Hex screw M10x20 8-8 SA3NS	4	YES		
1	DI-20 GT	10051033BD	FRONT AXLE BRACKET	1			
2	ALL MODELS EXCEPT SOLIS-20 FACELIFT	10051139AC	RADIATOR MTG BRACKET	1			
2A	ALL MODELS EXCEPT SOLIS-20 FACELIFT	10051425AD	RADIATOR MTG BRACKET LEFT	1			
3	ALL MODELS	20003235AA	Hex screw M10x20 8-8 SA3NS	4			
4	ALL MODELS	04030400010	SPRING WASHER B-10	4			
5	ALL MODELS	10051890AC	Radiator Assy (Cowl I.D 360mm)	1			
6	ALL MODELS EXCEPT SOLIS-20 FACELIFT	10051050BA	FRONT MTG PLATE (RADIATOR)	1			
7	ALL MODELS	20001096AA	HEX HEAD SCREW M8X1.25X20-8.8 SA2JS	6		INTERCHANGEABLE WITH 20005565AA (ROHS)	
8	ALL MODELS	04030400008	SPRING WASHER B-8	10		INTERCHANGEABLE WITH 20005517AA (ROHS)	
9	ALL MODELS	10023524AA	COOLANT ASSY	1			
10	ALL MODELS	20003355AB	HEX NUT M8 X 1.25 -8 SA2JS	4		INTERCHANGEABLE WITH 200000391A (ROHS)	
11	ALL MODELS	10051047BA	BATTERY MTG ARRANGEMENT	1			
12	ALL MODELS	20004090AA	PUNCHED WASHER M8	4			
13	ALL MODELS	10023538AB	PIPE (RADIATOR TO COOLANT TANK)	1		INTERCHANGEABLE WITH 10023538AC (ROHS)	

Sr.	Model	Item Code	Description	Qty	Int.	Remarks	Cut Off
14	ALL MODELS	10051599AA	PIPE (COOLANT TANK TO OUTSIDE)	1		INTERCHANGEABLE WITH 10051599AB (ROHS)	
15	ALL MODELS	10023569AA	CLAMP DIA 12.5 MM	2		INTERCHANGEABLE WITH 10023569AB (ROHS)	
16	ALL MODELS	10051241AA	RUBBER FLAP (FOR BATTERY AREA)	2			
17	ALL MODELS	10051303AA	BATTERY [MAINTENANCE FREE]	1			
6	SOLIS-20 FACELIFT	300007996C	FRONT MTG PLATE RADIATOR	1			
1A	SOLIS-20 FACELIFT	300024702A	FRONT AXLE BRACKET	1			
2B	SOLIS-20 FACELIFT	300007801B	RADIATOR MTG BRACKET RH	1			
2C	SOLIS-20 FACELIFT	300007800B	RADIATOR MTG BRACKET LH	1			
11	SOLIS-20 FACELIFT	10054084AA	BATTERY CLAMP ASSY(FOR GT26)	1	YES	INTERCHANGEABLE WITH 10054084AC (ROHS)	MEMRMGSNSM JH00326
7	ALL MODELS	20005565AA	HEX HEAD SCREW M8X1.25X20 -8.8 SA4GS	6	YES		
8	ALL MODELS	20005517AA	SPRING WASHER B-8 TYPE A IS: 3067-1972	10	YES		
9	ALL MODELS	10023524AC	COOLANT ASSY	1	YES		
13	ALL MODELS	10023538AC	PIPE (RADIATOR TO COOLANT TANK)	1	YES		
14	ALL MODELS	10051599AB	PIPE FOR COOLANT TANK	1	YES		
15	ALL MODELS	10023569AB	CLAMP DIA 12.5 MM	2	YES		

02110A-2-2

RADIATOR SEALING DETAILS



Sr.	Model	Item Code	Description	Qty	Int.	Remarks	Cut Off
1	DI-20 GT	10051033BD	FRONT AXLE BRACKET	1			
1	DI-20 GT	10051033BL	FRONT AXLE BRACKET	1	NO	BONNET STAY MODIFICATION AND RADIATOR SEALING RELATED MODIFICATION	EMGSU508154G
1	SOLIS-20	10051947AB	FRONT AXLE BRACKET	1			
1	SOLIS-20	10051947AH	FRONT AXLE BRACKET	1	NO	BONNET STAY MODIFICATION AND RADIATOR SEALING RELATED	MEMEMGSU510327G

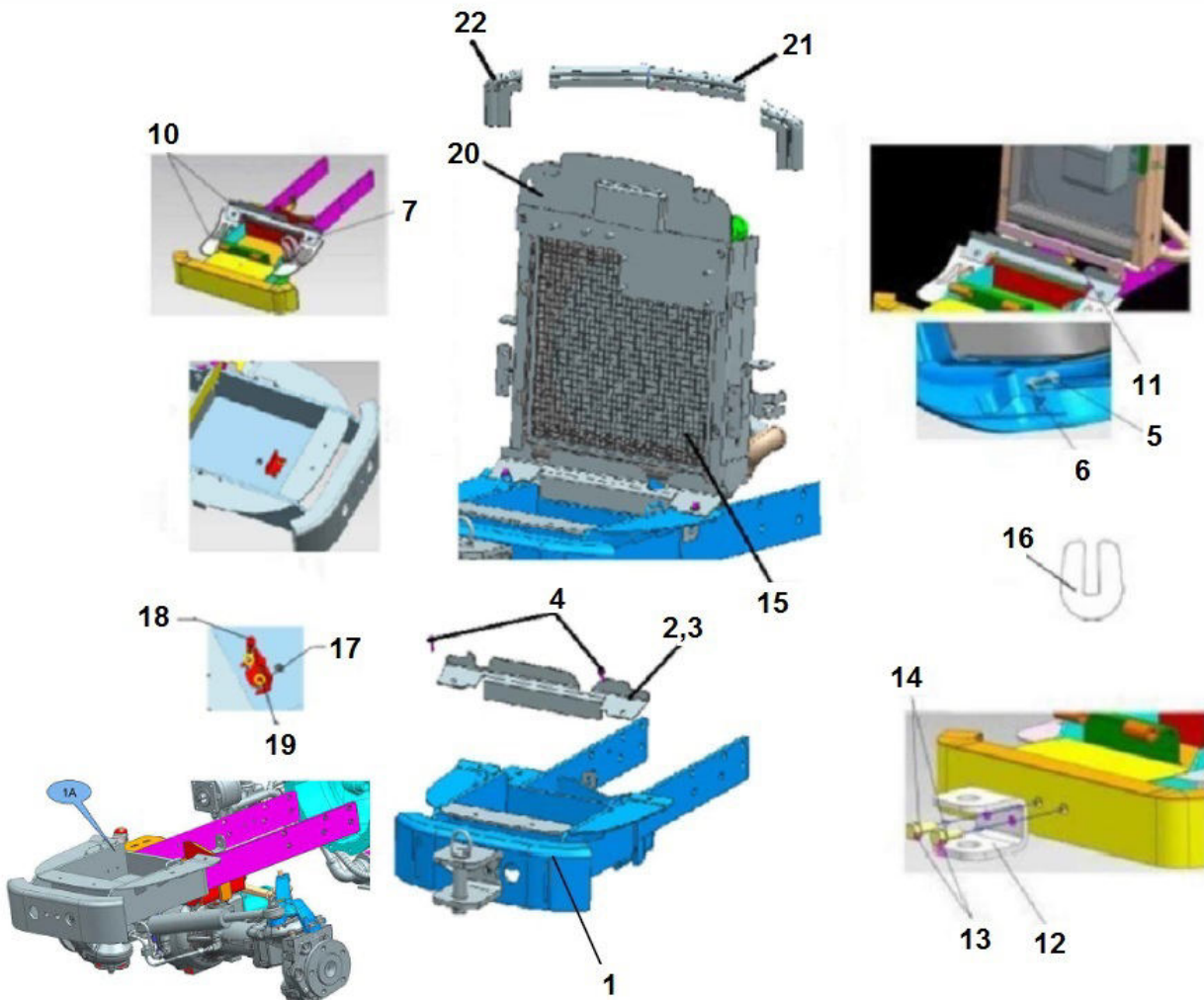
Sr.	Model	Item Code	Description	Qty	Int.	Remarks	Cut Off
						MODIFICATION	
2	ALL MODELS	10054104AA	RADIATOR SEALING PLATE BACK GT-20	1		NEW PART ADDED WITH IMPLEMENTATION OF MODIFIED FRONT AXLE BRACKET FROM	EMGSU508154G , MEMEMGSU510327G
3	ALL MODELS	10054103AA	RADIATOR SEALING PLATE BACK GT20 (BLACK)	1		NEW PART ADDED WITH IMPLEMENTATION OF MODIFIED FRONT AXLE BRACKET FROM	EMGSU508154G , MEMEMGSU510327G
4	ALL MODELS	20003518AA	HEX FLANGE SCREW M6*1*20-8.8 SA2JS	2		NEW PART ADDED WITH IMPLEMENTATION OF MODIFIED FRONT AXLE BRACKET FROM	EMGSU508154G , MEMEMGSU510327G
5	ALL MODELS	20003931AA	CROSS SLOTTED TRUSS HEAD SCREW M6	1		INTERCHANGEABLE WITH 20003931AB (ROHS)	
5	ALL MODELS	20003286AB	HEX SCREW M8X1.25X35 8-8 SA2JS	1	NO	NEW PART ADDED WITH IMPLEMENTATION OF MODIFIED FRONT AXLE BRACKET FROM	EMGSU508154G , MEMEMGSU510327G
6	ALL MODELS	04041000006	HEX NYLOC NUT M6	1		INTERCHANGEABLE WITH 20004915AB (ROHS)	
6	ALL MODELS	20003355AB	HEX NUT M8X1.25 -8 SA2JS	1	NO	NEW PART ADDED WITH IMPLEMENTATION OF MODIFIED FRONT AXLE BRACKET FROM	EMGSU508154G , MEMEMGSU510327G
7	ALL MODELS	10051869AA	BONNET STAY LINKAGE ASSY (GT)	1			
7	ALL MODELS	10052969AA	BONNET STOPPER BRACKET	1	NO	NEW PART ADDED WITH IMPLEMENTATION OF MODIFIED FRONT AXLE BRACKET FROM	EMGSU508154G , MEMEMGSU510327G
8	ALL MODELS	20003519AA	HEX FLANGE SCREW M8*1.25*20-8.8 SA2JS	2		NEW PART ADDED WITH IMPLEMENTATION OF MODIFIED FRONT AXLE	EMGSU508154G , MEMEMGSU510327G

Sr.	Model	Item Code	Description	Qty	Int.	Remarks	Cut Off
						BRACKET FROM	
9	ALL MODELS	04030400008	SPRING WASHER B-8	2		NEW PART ADDED WITH IMPLEMENTATION OF MODIFIED FRONT AXLE BRACKET FROM	EMGSU508154G , MEMEMGSU510327G
10	ALL MODELS	10053752AA	BONNET BEEDING INNER	2		NEW PART ADDED WITH IMPLEMENTATION OF MODIFIED FRONT AXLE BRACKET FROM	EMGSU508154G , MEMEMGSU510327G
11	ALL MODELS	10054030AA	FOAM RADIATOR SEALING	1		NEW PART ADDED WITH IMPLEMENTATION OF MODIFIED FRONT AXLE BRACKET FROM	EMGSU508154G , MEMEMGSU510327G
12	SOLIS-20	10054075AA	FRONT TOW HOOK	1		NEW PART ADDED WITH IMPLEMENTATION OF DETACHABLE FRONT TOW FROM	MEMEMGSU510327G
13	SOLIS-20	04041114040	HEX SCREW M14*40	2		NEW PART ADDED WITH IMPLEMENTATION OF DETACHABLE FRONT TOW FROM	MEMEMGSU510327G
14	SOLIS-20	04030400014	SPRING WASHER B-14	2		NEW PART ADDED WITH IMPLEMENTATION OF DETACHABLE FRONT TOW FROM	MEMEMGSU510327G
15	ALL MODELS	10054112AB	WIRE MESH ASSY RADIATOR(W/O PAINT)	1		MESH ASSEMBLY FOR RADIATOR INTRODUCED FROM	DMGSU519912G
15	ALL MODELS	10054113AB	WIRE MESH ASSY RADIATOR (BLACK PAINTED)	1		MESH ASSEMBLY FOR RADIATOR INTRODUCED FROM	DMGSU519912G
16	ALL MODELS	10057235AA	RUBBER BEEDING	1		RUBBER BEADING ADDED FOR TRASH GUARD FROM	DMKSF585771G 26D
4	ALL MODELS	20005541AA	HEX FLANGE SCREW M6*1*20 -8.8 SA4GS	2	YES		

Sr.	Model	Item Code	Description	Qty	Int.	Remarks	Cut Off
6	ALL MODELS	20004915AB	HEX NYLOC NUT M6 8	1	YES		
8	ALL MODELS	20005539AA	HEX FLANGE SCREW M8*1.25*20 -8.8 SA4GS	2	YES		
9	ALL MODELS	20005517AA	SPRING WASHER B-8 TYPE A IS: 3067-1972	2	YES		

02111A-1/1

RADIATOR SEALING

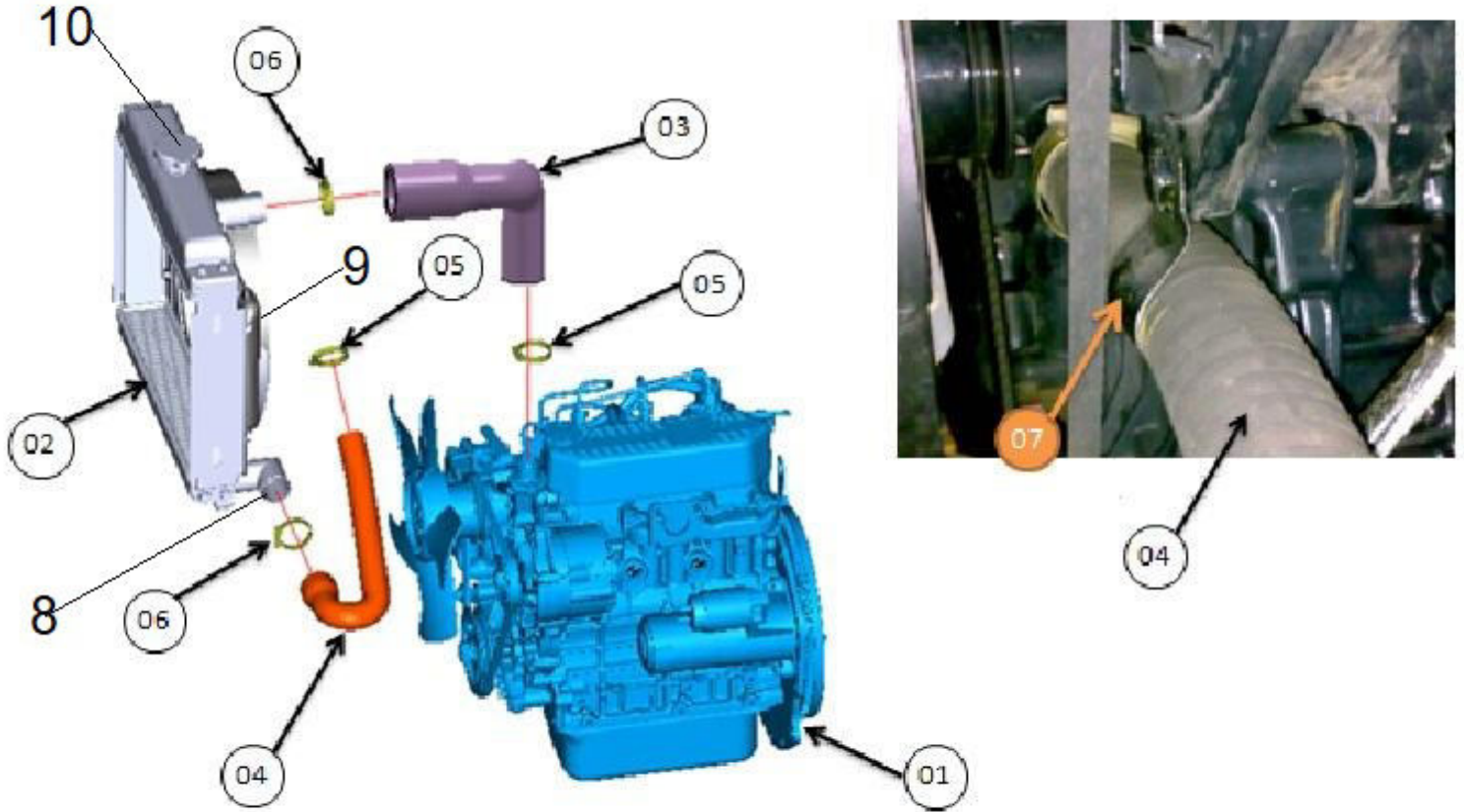


Sr.	Model	Item Code	Description	Qty	Int.	Remarks	Cut Off
14	ALL MODELS	20005520AA	SPRING WASHER B-14 TYPE A IS: 3067-1972	2			
18	ALL MODELS	20005559AA	HEX HEAD SCREW M8X1.25X16 -8.8 SA4GS	2			
15	ALL MODELS	300103008B	WIRE MESH ASSY RADIATOR(W/O PAINT)	1	YES		FOR EU MODELS- MEMRMKSNSF KH05625 FOR NON EU MODELS- FMKSS852097G 26
15	ALL MODELS	300105045B	WIRE MESH ASSY RADIATOR(BLACK PAINT)	1	YES		FOR EU MODELS- MEMRMKSNSF KH05625 FOR NON EU MODELS-

Sr.	Model	Item Code	Description	Qty	Int.	Remarks	Cut Off
							FMKSS852097G 26
1	ALL MODELS	300024702A	FRONT AXLE BRACKET	1			
2	ALL MODELS	300007811A	RADIATOR SEALING PLATE BACK (BOTTOM) W/O PAINT	1			
3	ALL MODELS	10054103AA	RADIATOR SEALING PLATE BACK GT20 (BLACK)	1			
4	ALL MODELS	20003518AA	HEX FLANGE SCREW M6*1*20-8.8 SA2JS	2		INTERCHANGEABLE WITH 20005541AA (ROHS)	
5	ALL MODELS	20003286AB	HEX SCREW M8X1.25X35 8-8 SA2JS	1		INTERCHANGEABLE WITH 20005566AA (ROHS)	
6	ALL MODELS	20003355AB	HEX NUT M8X1.25 -8 SA2JS	1		INTERCHANGEABLE WITH 200000391A (ROHS)	
7	ALL MODELS	10052969AA	BONNET STOPPER BRACKET	1			
10	ALL MODELS	10053752AA	BONNET BEEDING INNER	2			
11	ALL MODELS	10054030AA	FOAM RADIATOR SEALING	1			
12	ALL MODELS	10054141AB	FRONT TOW HOOK	1			
13	ALL MODELS	04041114040	HEX SCREW M14*40	2			
14	ALL MODELS	04030400014	SPRING WASHER B-14	2		INTERCHANGEABLE WITH 20005520AA (ROHS)	
15	ALL MODELS	300033862A	WIRE MESH ASSY W/O PAINT	1			
15	ALL MODELS	300033931A	WIRE MESH ASSY BLACK PAINT	1			
16	ALL MODELS	10057235AA	RUBBER BEEDING	1			
17	ALL MODELS	300035669A	BATTERY STOPPER BRKT	1			
18	ALL MODELS	20002059AA	HEX HEAD SCREW M8X1.25X16 8-8 SA2JS	2		INTERCHANGEABLE WITH 20005559AA (ROHS)	
19	ALL MODELS	04030600008	PLAIN WASHER DIA 8.4 *DIA 17*1.6	2			
20	ALL MODELS	300033663A	TOP SEALING PLATE	1			
21	ALL MODELS	300008597B	RADIATOR SEALING BEADING	1			
22	ALL MODELS	300033785A	RADIATOR SEALING BEEDING SIDE GT-20	2			
4	ALL MODELS	20005541AA	HEX FLANGE SCREW M6*1*20 -8.8 SA4GS	2	YES		
1A	SOLIS-20 EU FACELIFT (POWER STG.)	300024702E	FRONT AXLE BKT ASSY	1			
5	SOLIS-20 EU FACELIFT (POWER STG.)	20005567AA	HEX SCREW M8X1.25X35 8.8 SA4GS	1			
6	SOLIS-20 EU FACELIFT (POWER STG.)	20005504AA	HEX NUT M8X1.25 -8 SA4GS	1			
13	SOLIS-20 EU FACELIFT (POWER STG.)	20004587AC	HEX.SCREW M14X2X40	2			
22	SOLIS-20 EU FACELIFT (POWER STG.)	300008597B	RADIATOR SEALING BEADING GT-20	2			

02120A-1/1

RADIATOR HOSE ASSY.

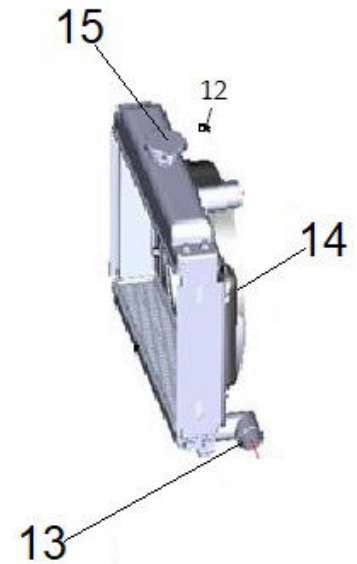
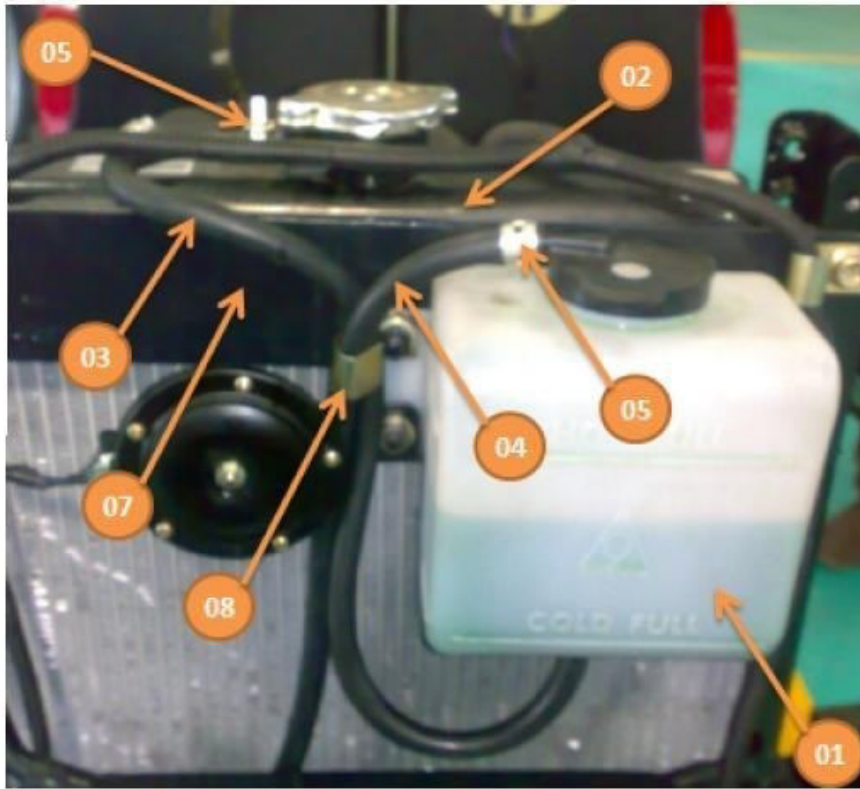


Sr.	Model	Item Code	Description	Qty	Int.	Remarks	Cut Off
8	ALL MODELS	10036298AA	BOTTOM PIPE FLANGE	1		CHILD PART OF 10051890AC	
9	ALL MODELS	10036299AA	SHROUD	1		CHILD PART OF 10051890AC	
10	ALL MODELS	10036300AA	PRESSURE CAP?	1		CHILD PART OF 10051890AC	
3	ALL MODELS	10051876AB	RADIATOR HOSE (THERMOSTATE TO RADIATOR)	1	YES		MMGSV333460 G
1	ALL MODELS	10051080AA	ENGINE ASSY	1			
2	ALL MODELS	10051890AC	RADIATOR ASSY.(COWL I.D 360mm)	1			
3	ALL MODELS	10051876AA	RADIATOR HOSE (THERMOSTATE TO RADIATOR)	1		INTERCHANGEABLE WITH 10051876AB (ROHS)	

Sr.	Model	Item Code	Description	Qty	Int.	Remarks	Cut Off
4	ALL MODELS	10051300AB	HOSE(RADIATOR TO WATER PUMP)	1			
5	ALL MODELS	20004338AA	HOSE WORM CLAMP	2		INTERCHANGEABLE WITH 20004338AB (ROHS)	
6	ALL MODELS	20004049AA	HOSE WORM CLAMP DIA 52	2		INTERCHANGEABLE WITH 20004049AB (ROHS)	
7	ALL MODELS	10051930AB	RADIATOR HOSE SUPPORT BKT.(G.T)	1			
5	ALL MODELS	20004338AB	HOSE WORM CLAMP 32X45 IS:4762	2	YES		
6	ALL MODELS	20004049AB	HOSE WORM CLAMP DIA 52	2	YES		
1	SOLIS-20 FACELIFT EU MODELS	300043622A	MHI ENGINE STAGE V L3E 18HP	1	YES	STAGE V ENGINE	MEMRMGSNSB KH03862
2	SOLIS-20 EU FACELIFT (POWER STG.)	10051890AF	RADIATOR ASSY. (COWL. I.D 360MM)	1			

02130A-1/1

COOLANT TANK ASSY.

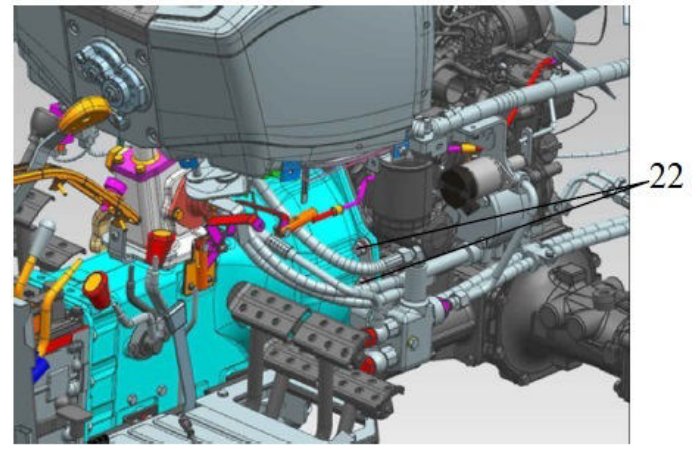
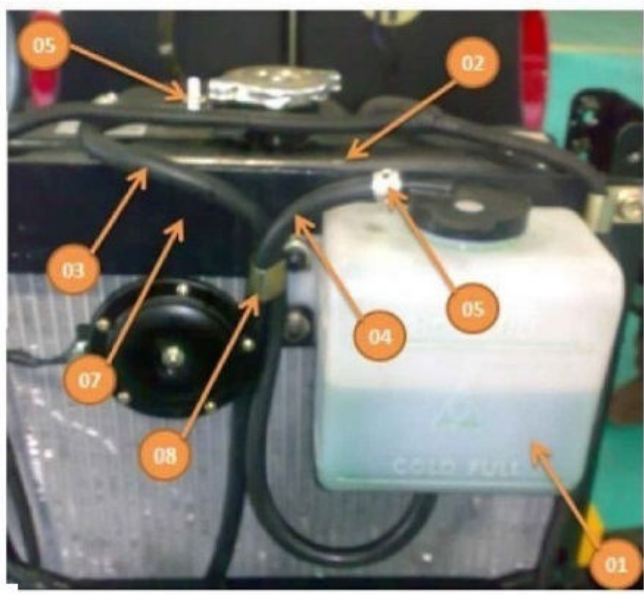
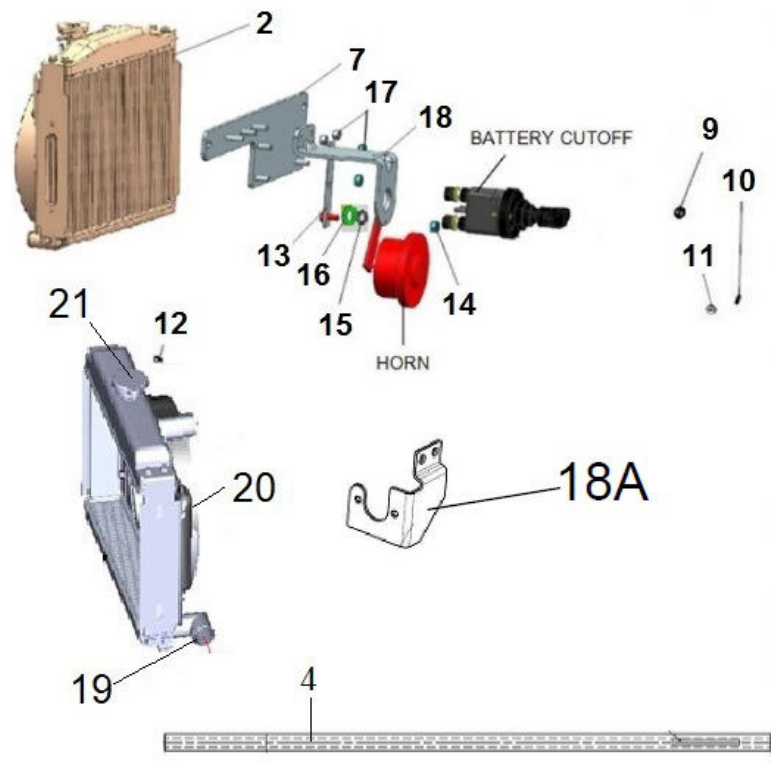


Sr.	Model	Item Code	Description	Qty	Int.	Remarks	Cut Off
8	ALL MODELS	10004860AC	CLAMPING STRIP	1			
13	ALL MODELS	10036298AA	BOTTOM PIPE FLANGE	1		CHILD PART OF 10051890AC	
14	ALL MODELS	10036299AA	SHROUD	1		CHILD PART OF 10051890AC	
15	ALL MODELS	10036300AA	PRESSURE CAP?	1		CHILD PART OF 10051890AC	
12	ALL MODELS	10024780AB	CLAMP (RADIATOR)	1		NEW PART ADDED FROM	MEMFMGST641889G
1	ALL MODELS	10023524AB	COOLANT ASSY	1	YES	INTERCHANGEABLE WITH 10023524AC (ROHS)	FZUDE418742S3

Sr.	Model	Item Code	Description	Qty	Int.	Remarks	Cut Off
7	ALL MODELS	10051050BC	FRONT MTG PLATE(RADIATOR)	1	YES		GMGSE416344 G
9	ALL MODELS	20003354AB	HEX NUT M6 -8 SA2JS	1		NEW PART ADDED WITH 10051050BC FROM	GMGSE416344 G
10	ALL MODELS	04030400006	SPRING WASHER B-6	1		NEW PART ADDED WITH 10051050BC FROM	GMGSE416344 G
11	ALL MODELS	04030600006	PLAIN WASHER DIA 6.4 *DIA 18 *1.5	1		NEW PART ADDED WITH 10051050BC FROM	GMGSE416344 G
1	ALL MODELS	10023524AA	COOLANT ASSY	1			
2	ALL MODELS	10051890AC	RADIATOR ASSY	1			
3	ALL MODELS	10023538AB	PIPE (RADIATOR TO COOLANT TANK)	1		INTERCHANGE ABLE WITH 10023538AC (ROHS)	
4	ALL MODELS	10051599AA	PIPE (COOLANT TANK TO OUTSIDE)	1		INTERCHANGE ABLE WITH 10051599AB (ROHS)	
5	ALL MODELS	10023569AA	CLAMP DIA 12.5 MM	3		INTERCHANGE ABLE WITH 10023569AB (ROHS)	
7	ALL MODELS	10051050BA	FRONT MTG PLATE(RADIATOR)	1			
8	ALL MODELS	10004860AA	CLAMPING STRIP	1		INTERCHANGE ABLE WITH 10004860AC (ROHS)	
1	ALL MODELS	10023524AC	COOLANT ASSY	1	YES		
3	ALL MODELS	10023538AC	PIPE (RADIATOR TO COOLANT TANK)	1	YES		
4	ALL MODELS	10051599AB	PIPE FOR COOLANT TANK	1	YES		
5	ALL MODELS	10023569AB	CLAMP DIA 12.5 MM	3	YES		
12	ALL MODELS	10039275AA	CLAMP (RADIATOR)	1	YES		

02131A-1/1

COOLANT TANK ASSY



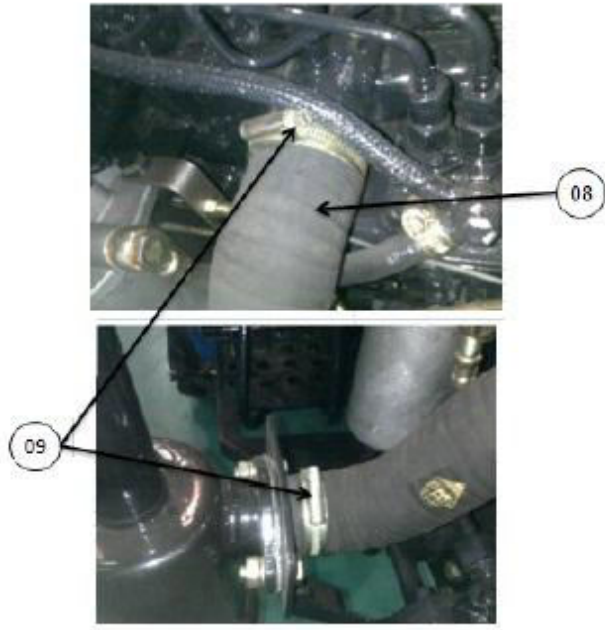
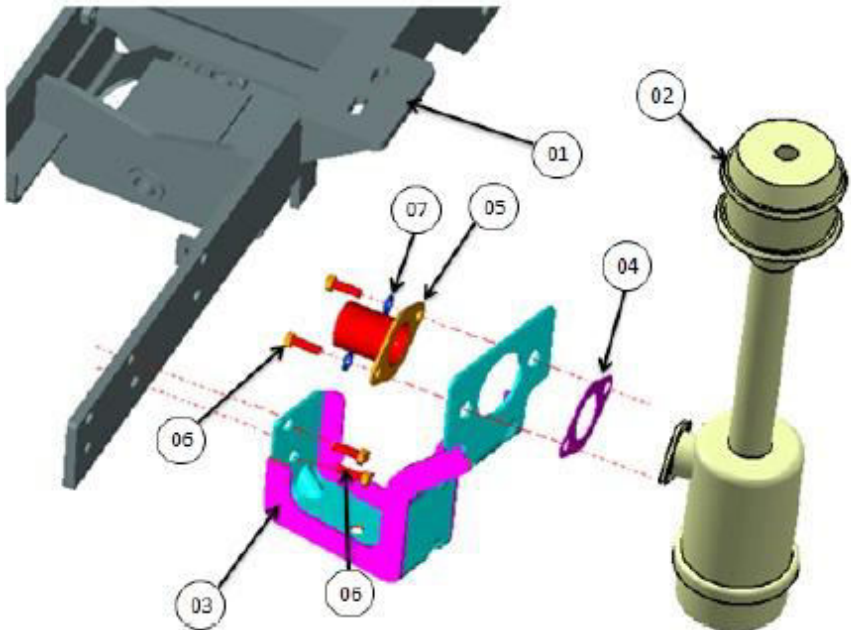
Sr.	Model	Item Code	Description	Qty	Int.	Remarks	Cut Off
8	ALL MODELS	10004860AC	CLAMPING STRIP	1			
14	ALL MODELS	200000391A	HEX NUT M18X1.25 -8 SA4NS	1			
17	ALL MODELS	20004917AB	HEX NYLOC NUT M8*1.25 8	4			
18	ALL MODELS	300028543B	MOUNTING BRACKET FOR BATTERY CUT OFF SWI	1			
19	ALL MODELS	10036298AA	BOTTOM PIPE FLANGE	1		CHILD PART OF 10051890AC	
20	ALL MODELS	10036299AA	SHROUD	1		CHILD PART OF 10051890AC	
21	ALL MODELS	10036300AA	PRESSURE CAP?	1		CHILD PART OF 10051890AC	

Sr.	Model	Item Code	Description	Qty	Int.	Remarks	Cut Off
18	ALL MODELS	300074369A	MTG BKT FOR BATTERY CUT OFF SWITCH	1	YES AS A SET	(10068549AA, 10087000AA) Interchangeable as a set with (300070895A, 10086156AA, 300074369A)	MEMRMKSNSH KH06611
1	ALL MODELS	10023524AB	COOLANT ASSY	1		INTERCHANGEABLE WITH 10023524AC (ROHS)	
2	ALL MODELS	10051890AC	RADIATOR ASSY	1			
3	ALL MODELS	10023538AB	PIPE (RADIATOR TO COOLANT TANK)	1		INTERCHANGEABLE WITH 10023538AC (ROHS)	
4	ALL MODELS	10051599AA	PIPE (COOLANT TANK TO OUTSIDE)	1		INTERCHANGEABLE WITH 10051599AB (ROHS)	
5	ALL MODELS	10023569AA	CLAMP DIA 12.5 MM	3		INTERCHANGEABLE WITH 10023569AB (ROHS)	
7	ALL MODELS	300007996C	FRONT MTG PLATE RADIATOR	1			
8	ALL MODELS	10004860AA	CLAMPING STRIP	1		INTERCHANGEABLE WITH 10004860AC (ROHS)	
9	ALL MODELS	20003354AB	HEX NUT M6 -8 SA2JS	1		INTERCHANGEABLE WITH 20005491AA (ROHS)	
10	ALL MODELS	04030400006	SPRING WASHER B-6	1			
11	ALL MODELS	04030600006	PLAIN WASHER DIA 6.4 *DIA 18 *1.5	1			
12	ALL MODELS	10024780AB	CLAMP (RADIATOR)	1		INTERCHANGEABLE WITH 10039275AA (ROHS)	
13	ALL MODELS	300007798A	HORN MTG BKT	1			
14	ALL MODELS	20003355AD	HEX NUT M8X1.25 -8 SA4JS	1		INTERCHANGEABLE WITH 20005504AA (ROHS)	
15	ALL MODELS	04030400008	SPRING WASHER B-8	1		INTERCHANGEABLE WITH 20005517AA (ROHS)	
16	ALL MODELS	04030600008	PLAIN WASHER DIA 8.4 *DIA 17*1.6	1			
17	ALL MODELS	04041000008	HEX NYLOCK NUT M8*1.25	4		INTERCHANGEABLE WITH 20004917AB (ROHS)	
18	ALL MODELS	10087000AA	MOUNTING BRACKET FOR BATTERY CUT OFF SWI	1		INTERCHANGEABLE WITH 300028543B (ROHS)	
1	ALL MODELS	10023524AC	COOLANT ASSY	1	YES		

Sr.	Model	Item Code	Description	Qty	Int.	Remarks	Cut Off
3	ALL MODELS	10023538AC	PIPE (RADIATOR TO COOLANT TANK)	1	YES		
4	ALL MODELS	10051599AB	PIPE FOR COOLANT TANK	1	YES		
5	ALL MODELS	10023569AB	CLAMP DIA 12.5 MM	3	YES		
12	ALL MODELS	10039275AA	CLAMP (RADIATOR)	1	YES		
15	ALL MODELS	20005517AA	SPRING WASHER B-8 TYPE A IS: 3067-1972	1	YES		
4	ALL SOLIS 20 PC FACELIFT MODELS	10067811AA	PIPE (COOLANT TANK TO OUTSIDE)	1			
4	ALL SOLIS 20 PC FACELIFT MODELS	10023539AA	PIPE (COOLANT TANK TO OUTSIDE)	1	YES		MEMRMKSNHB LH09457
22	ALL SOLIS 20 PC FACELIFT MODELS	10053438AA	HEX. HEAD SCREW M12X1.25X28	2			
22	ALL SOLIS 20 PC FACELIFT MODELS	20005676AA	HEX. BOLT M12*1.25*45	2	YES		MEMRMKSNHB LH09457
2	SOLIS-20 EU FACELIFT (POWER STG.)	10051890AF	RADIATOR ASSY	1			
3	SOLIS-20 EU FACELIFT (POWER STG.)	10051599AA	PIPE (COOLANT TANK TO OUTSIDE)	1			
9	SOLIS-20 EU FACELIFT (POWER STG.)	20005491AA	HEX NUT M6 -8 SA4GS	1			
14	SOLIS-20 EU FACELIFT (POWER STG.)	20005504AA	HEX NUT M8X1.25 -8 SA4GS	1			
18A	SOLIS-20 EU FACELIFT (POWER STG.)	300076157A	MTG BRK FOR BATTERY CUT OFF SWITCH	1			

03110A-1/1

AIR CLEANER ASSY.

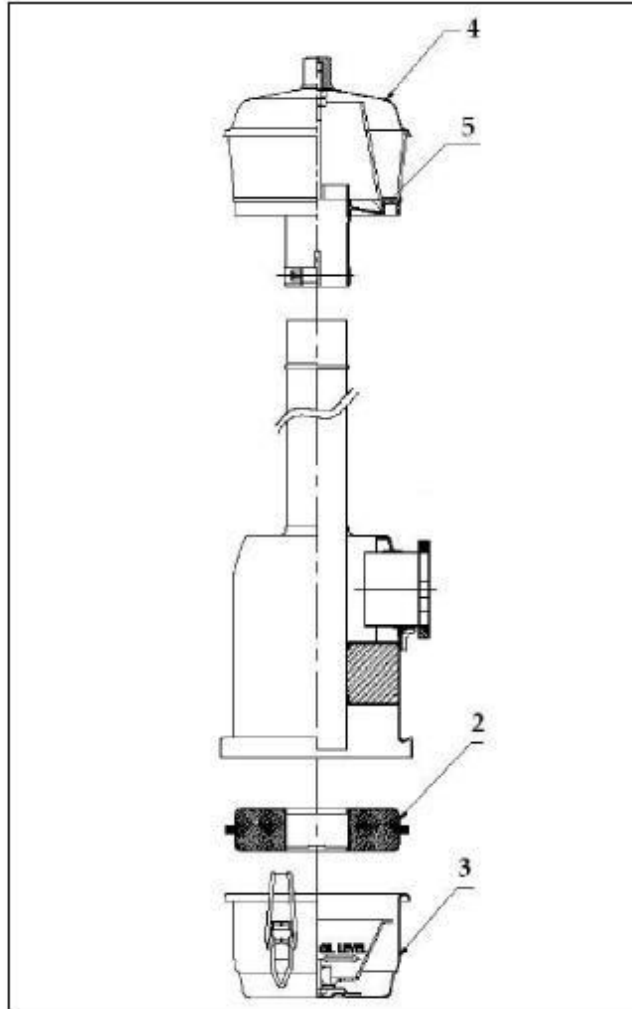


Sr.	Model	Item Code	Description	Qty	Int.	Remarks	Cut Off
4	ALL MODELS	300094643A	GASKET EXHAUST	1	YES	10002396AA OR 10014826AA BOTH ARE INTERCHANGE ABLE WITH 300094643A	HZCDS855712S 3
1	SOLIS-20	10051947AB	FRONT AXLE BRACKET	1			
1	SOLIS-20	10051947AH	FRONT AXLE BRACKET	1	NO	BONNET STAY MODIFICATION AND RADIATOR SEALING RELATED MODIFICATION	MEMEMGSU510 327G

Sr.	Model	Item Code	Description	Qty	Int.	Remarks	Cut Off
1	DI-20 GT	10051033BL	FRONT AXLE BRACKET	1	NO	BONNET STAY MODIFICATION AND RADIATOR SEALING RELATED MODIFICATION	EMGSU508154G
3	ALL MODELS	10052777BA	ASSY. AIR CLEANER MTG. BKT	1	NO		EMGSU504715G
3	SOLIS-20	10052777BA	ASSY. AIR CLEANER MTG. BKT	1			
8	ALL MODELS	10052929AA	AIR CLEANER HOSE (GT 20)	1	NO		EMGSU504715G
8	SOLIS-20	10052929AA	AIR CLEANER HOSE (GT 20)	1			
1	DI-20 GT	10051033BD	FRONT AXLE BRACKET	1			
2	ALL MODELS	10051933AB	AIR CLEANER ASSY	1			
3	ALL MODELS	10051572AD	ASSY AIR CLEANER MTG BRKT.	1			
4	ALL MODELS	10002396AA	EXHAUST GASKET	1		INTERCHANGE ABLE WITH 10014826AA (ROHS)	
5	ALL MODELS	10051233AC	SUCTION FLANGE	1			
6	ALL MODELS	20004078AB	HEX SCREW M10*1.25*25 8.8 SA3NS	4			
7	ALL MODELS	04030400010	SPRING WASHER B-10	2			
8	ALL MODELS	10051220BA	HOSE PIPE AIR CLEANER	1			
9	ALL MODELS	20004049AA	HOSE WORM CLAMP DIA 52	2		INTERCHANGE ABLE WITH 20004049AB (ROHS)	
6	ALL MODELS	20004078AD	HEX SCREW M10*1.25*25 8.8 SA3NS	4	YES	INTERCHANGE ABLE WITH 20005558AA (ROHS)	BYJSF536597G2 2
4	ALL MODELS	10014826AA	EXHAUST GASKET	1	YES		
9	ALL MODELS	20004049AB	HOSE WORM CLAMP DIA 52	2	YES		

03111A-1/1

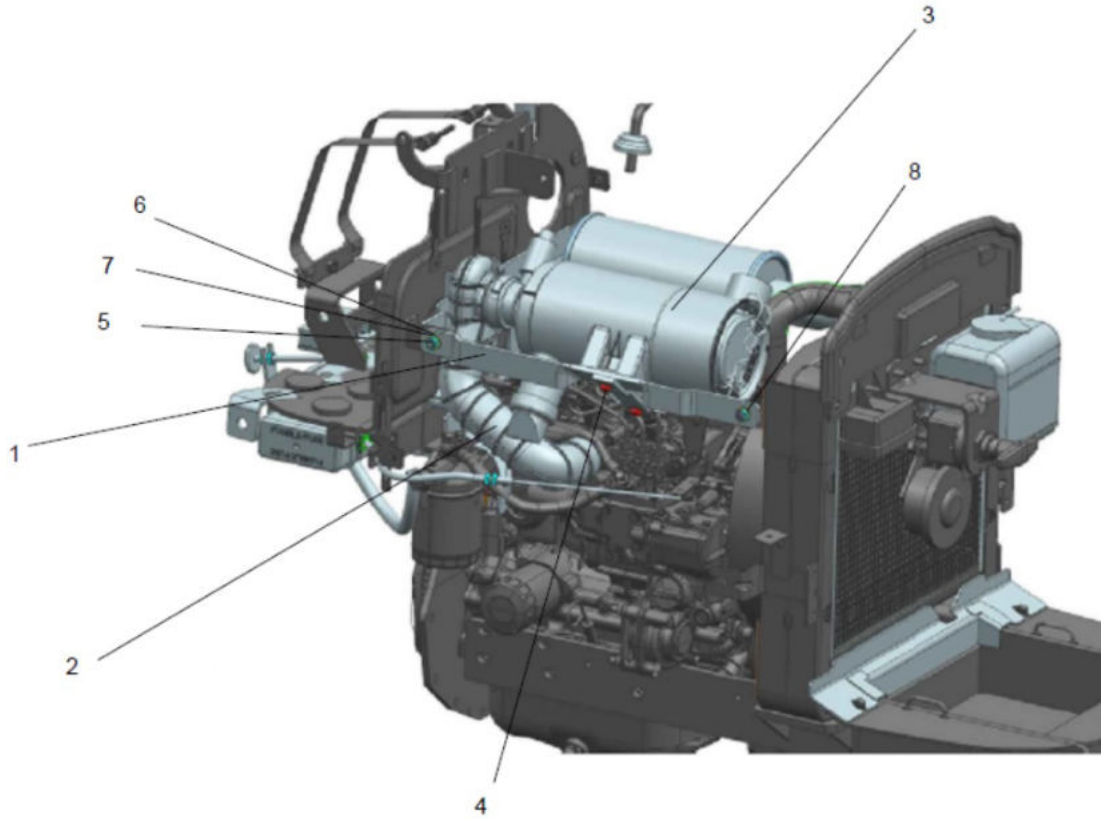
AIR CLEANER CHILD PART



Sr.	Model	Item Code	Description	Qty	Int.	Remarks	Cut Off
2	ALL MODELS	10053114AA	INSERT ASSY. WITH SEALING RING (57105)	1		CHILD PARTS OF 10051933AB	
3	ALL MODELS	10053115AA	OIL CONTAINER ASSY.(65237)	1		CHILD PARTS OF 10051933AB	
4	ALL MODELS	10053116AA	PRE-CLEANER ASSY. WITH CLAMP (65261)	1		CHILD PARTS OF 10051933AB	
5	ALL MODELS	10053117AA	PRE-CLEANER PLASTIC BOWL (51503)	1		CHILD PARTS OF 10051933AB	

03120A-1/1

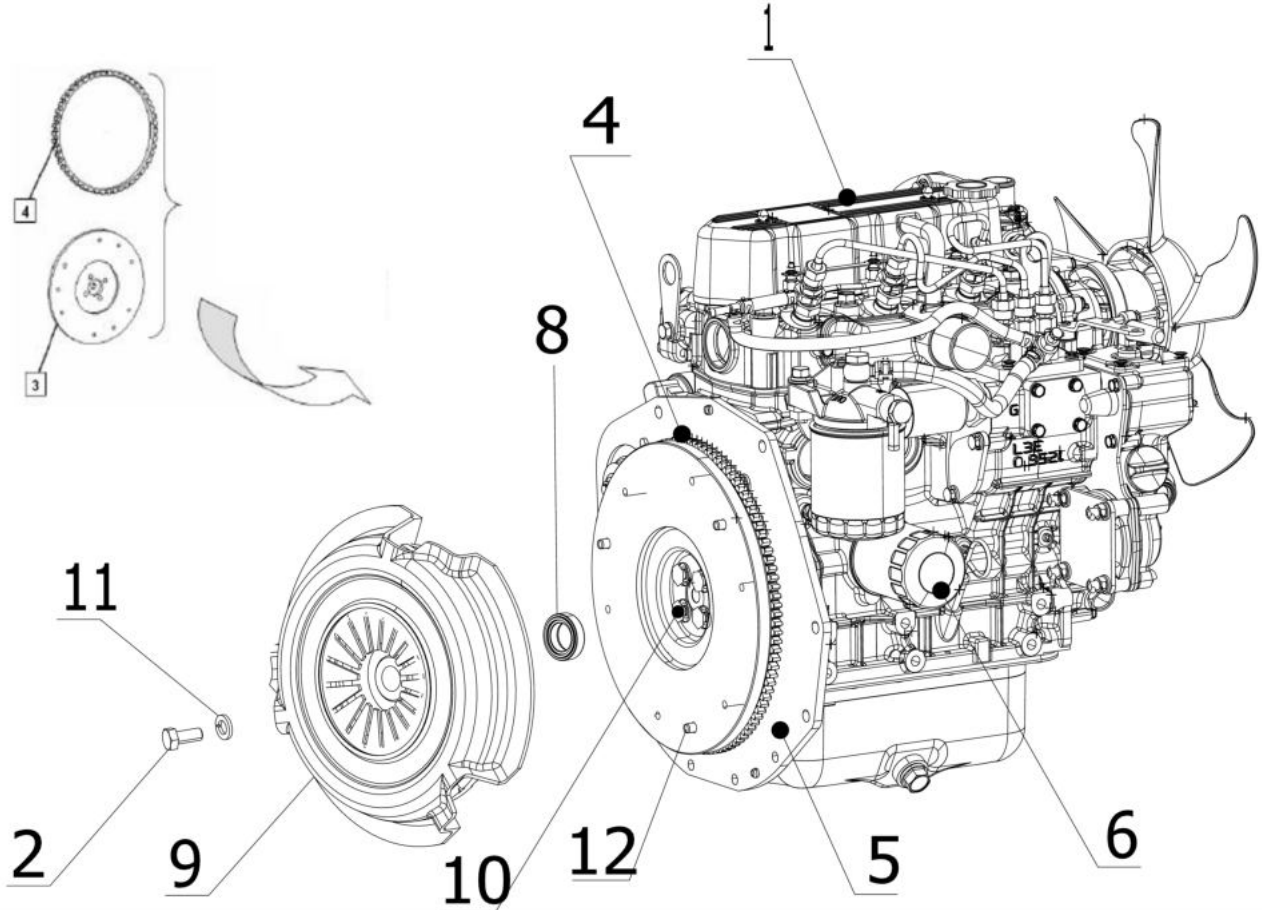
DRY AIR CLEANER



Sr.	Model	Item Code	Description	Qty	Int.	Remarks	Cut Off
1	ALL MODELS	10054124AC	AIR CLEANER MTG BKT (SOLIS 20)	1			
2	ALL MODELS	10054123AA	HOSE DRY AIR CLEANER	1			
3	ALL MODELS	10054121AA	DRY AIR CLEANER ASSY	1			
4	ALL MODELS	300012589A	WING SCREW M6	2			
5	ALL MODELS	20001096AA	HEX. HEAD SCREW M8 X 1.25 X 20 8-8 SA2JS	1		INTERCHANGE ABLE WITH 20005565AA (ROHS)	
6	ALL MODELS	04030600008	PLAIN WASHER DIA 8.4 *DIA 17*1.6	1			
7	ALL MODELS	04030400008	SPRING WASHER B-8	1		INTERCHANGE ABLE WITH 20005517AA	

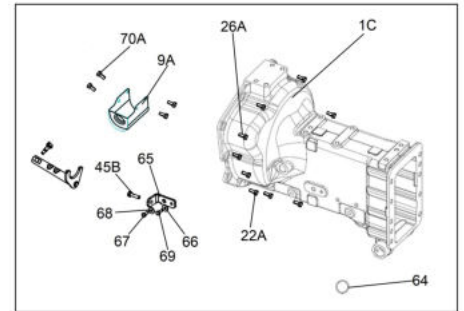
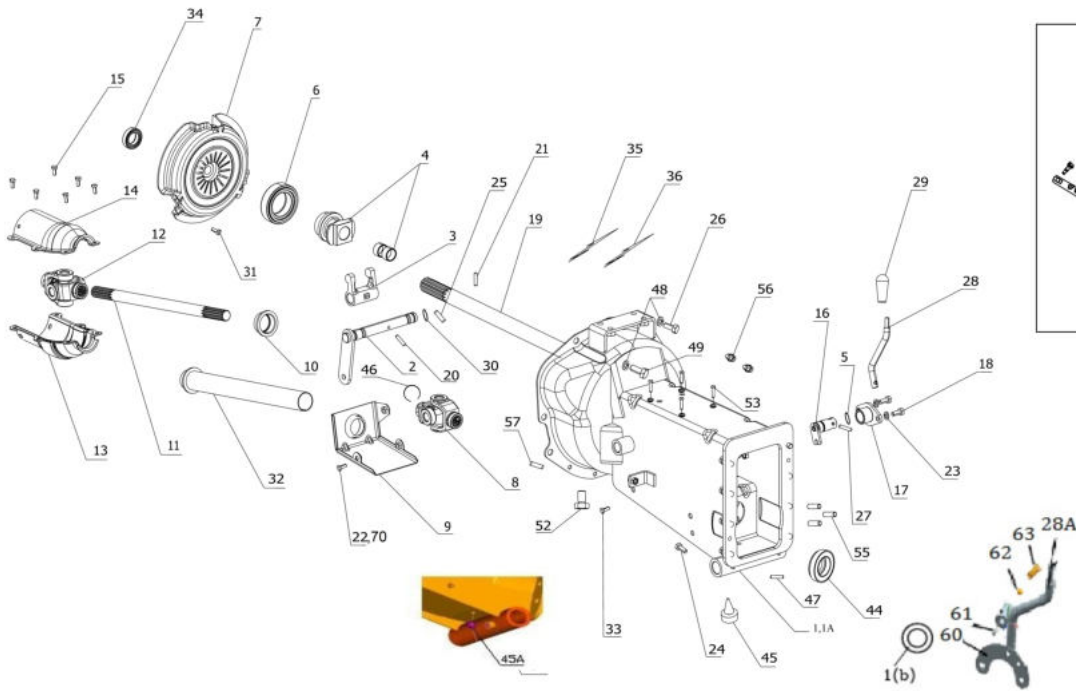
Sr.	Model	Item Code	Description	Qty	Int.	Remarks	Cut Off
						(ROHS)	
8	ALL MODELS	20003355AB	HEX NUT M8X1.25 -8 SA2JS	1		INTERCHANGEABLE WITH 200000391A (ROHS)	
5	ALL MODELS	20005565AA	HEX HEAD SCREW M8X1.25X20 -8.8 SA4GS	1	YES		
7	ALL MODELS	20005517AA	SPRING WASHER B-8 TYPE A IS: 3067-1972	1	YES		
1	SOLIS-20 EU FACELIFT (POWER STG.)	300069215A	AIR CLEANER MTG BKT ASSY	1			
2	SOLIS-20 EU FACELIFT (POWER STG.)	300068786A	HOSE AIR CLEANER 20HP	1			
3	SOLIS-20 EU FACELIFT (POWER STG.)	803412028C	AIR CLEANER ASSY. DRY TYPE (5")	1			
5	SOLIS-20 EU FACELIFT (POWER STG.)	200000430A	HEX. HEAD SCREW M8X1.25X20 8.8 SA4GS	1			
8	SOLIS-20 EU FACELIFT (POWER STG.)	20005504AA	HEX NUT M8X1.25 -8 SA4GS	1			

04110A-1/1

FLYWHEEL, RING GEAR &
CLUTCH ASSY WITH ENGINE

Sr.	Model	Item Code	Description	Qty	Int.	Remarks	Cut Off
8	ALL MODELS	20004297AC	BALL BEARING 6001 ZZ	1			
11	ALL MODELS	04030400008	SPRING WASHER B-8	6		INTERCHANGEABLE WITH 20005517AA (ROHS)	
12	ALL MODELS	10009797AA	DOWEL(8X20)	3			
13	CHILD PART OF 10051324AA	10011714AA	Clutch Plate (G.T.)	1		VIEW NOT SHOW, CHILD PART OF 10051324AA	
14	CHILD PART OF 10051324AA	10011715AA	Pressure Plate (G.T.)	1		VIEW NOT SHOW, CHILD PART OF 10051324AA	

Sr.	Model	Item Code	Description	Qty	Int.	Remarks	Cut Off
3	ALL MODELS	803003047B	FLY WHEEL SINGLE CLUTCH (GARDENTRAC)	1	YES		HMGSD294005G
5	ALL MODELS	703002124C	REAR PLATE (MISTUBISHI ENGINE-3CYL.)	1	NO		FMGSD289076G
1	ALL MODELS	10051080AA	ENGINE ASSY. (MISTUBISHI)	1			
2	ALL MODELS	20001096AA	HEX SCREW M10X1.25X25	6		INTERCHANGEABLE WITH 20005565AA (ROHS)	
3	ALL MODELS	803003047A	FLY WHEEL SINGLE CLUTCH (GARDENTRAC)	1			
4	ALL MODELS	703003105A	RING GEAR	1			
5	ALL MODELS	703002124A	REAR PLATE (MISTUBISHI ENGINE-3CYL.)	1			
6	ALL MODELS	803007059A	OIL FILTER ASSY-3CYL. (GARDENTRAC)	1			
8	ALL MODELS	20004297AB	BALL BEARING 6001	1		INTERCHANGEABLE WITH 20004297AC (ROHS)	
9	ALL MODELS	10051324AA	Clutch Set - GT	1			
10	ALL MODELS	723402109A	FLYWHEEL BOLT	4			
9	GT-20	10055295AA	CLUTCH ASSY	1			
9	GT-20	10051324AA	Clutch Set - GT	1	YES		BYJSS815916G22
2	ALL MODELS	20005565AA	HEX HEAD SCREW M8X1.25X20 -8.8 SA4GS	6	YES		
11	ALL MODELS	20005517AA	SPRING WASHER B-8 TYPE A IS: 3067-1972	6	YES		
1	SOLIS-20 FACELIFT EU MODELS	300043622A	MHI ENGINE STAGE V L3E 18HP	1	YES	STAGE V ENGINE	MEMRMGSNSB KH03862
2	SOLIS-20 EU FACELIFT (POWER STG.)	200000430A	HEX. HEAD SCREW M8X1.25X20 8.8 SA4GS	6			
5	SOLIS-20 EU FACELIFT (POWER STG.)	300181418A	REAR PLATE	1			



FOR LOADER REQUIREMENT

Sr.	Model	Item Code	Description	Qty	Int.	Remarks	Cut Off
1	SOLIS-20 TURF TYRES & INDUSTRIAL TYRES MODELS	10055992AD	CLUTCH HOUSING ASSY.	1			
15	ALL MODELS	20005496AA	HEX HEAD SCREW M6X1X14 8.8 SA4GS	6			
16	ALL MODELS	10050808AG	ACTUATING LUG ASSY.	1			
30	ALL MODELS	20004144AC	O-RING Ø15.6 X Ø2.3	2			
34	ALL MODELS	20004297AC	BALL BEARING 6001 ZZ	1			
44	ALL MODELS	10051888AB	RUBBER BOOT FOR CLUTCH HSG.	1			
64	SOLIS-20 FACELIFT EU & EPA MODELS	10055984AA	BUSH	2		WITH 10055992AA	MEMRMGSNSF KH05857
65	SOLIS-20 FACELIFT EU & EPA MODELS	10052908AB	STOPPER FOR C.A. SHAFT	1		WITH 10055992AA	MEMRMGSNSF KH05857

Sr.	Model	Item Code	Description	Qty	Int.	Remarks	Cut Off
66	SOLIS-20 FACELIFT EU & EPA MODELS	20005524AA	PLAIN WASHER A 6.4 IS:5370 STEEL	2		WITH 10055992AA	MEMRMGSNSF KH05857
67	SOLIS-20 FACELIFT EU & EPA MODELS	20003235AB	HEX SCREW M10X20	1		WITH 10055992AA	MEMRMGSNSF KH05857
68	SOLIS-20 FACELIFT EU & EPA MODELS	20005523AA	PLAIN WASHER A 10.5 IS:5370 STEEL	1		WITH 10055992AA	MEMRMGSNSF KH05857
69	SOLIS-20 FACELIFT EU & EPA MODELS	04040106016	HEX SCREW M6*16	1		WITH 10055992AA	MEMRMGSNSF KH05857
70	ALL MODELS	20002059AB	Hex. head screw M8 x 1.25 x 16 8-8 SA4JS	3			
70A	SOLIS-20 FACELIFT EU & EPA MODELS	300028644A	HEX. HEAD BOLT M8 X 1.25-20 8-8 SA4GS	4	NO	WITH 10055992AA	MEMRMGSNSF KH05857
1C	SOLIS-20 FACELIFT EU & EPA MODELS	10055992AA	CLUTCH HOUSING ASSY.	1	NO	IMPLEMENTIN G LOADER IN EU AND EPA	MEMRMGSNSF KH05857
26A	SOLIS-20 FACELIFT EU & EPA MODELS	20005557AA	HEX SCREW M12X1.25X25 SA4GS	8	NO	IMPLEMENTIN G LOADER IN EU AND EPA	MEMRMGSNSF KH05857
22A	SOLIS-20 FACELIFT EU & EPA MODELS	20005563AA	HEX SCREW M8X1.25X30 -8.8 SA4GS	4	NO	IMPLEMENTIN G LOADER IN EU AND EPA	MEMRMGSNSF KH05857
45B	SOLIS-20 FACELIFT EU & EPA MODELS	20005638AA	HEX HEAD SCREW M8X1X10	1	NO	IMPLEMENTIN G LOADER IN EU AND EPA	MEMRMGSNSF KH05857
9A	SOLIS-20 FACELIFT EU & EPA MODELS	10054025AA	UNIVERSAL JOINT COVER REAR	1	NO	IMPLEMENTIN G LOADER IN EU AND EPA	MEMRMGSNSF KH05857
46	ALL MODELS	20004355AD	SNAP RING FOR SHAFT DIA 32 (DIN 7993)	3	YES WITH 2000 4355 AB		FOR EU MODELS- MEMRMKSNSJK H07112
43	ALL MODELS	20003357AF	HEX NUT M10 -8 SA4GS	8	YES	interchange with 20003357AB	FOR NON EU MODELS- JZNSS869101S M FOR EU MODELS- MEMRZGTNEJK H07194
3	ALL MODELS	10050721AE	C.A. FORK	1	YES		DMKSU518820G 26D
1	ALL MODELS	10051198AP	CLUTCH HOUSING	1	YES		BMGSV325188G
2	ALL MODELS	10050720AE	C.A. SHAFT ASSY.	1	YES		BMGSV325188G
1	ALL MODELS	10051198AS	CLUTCH HOUSING	1	YES		KMGSE455971G
5	ALL MODELS	20004142AB	O-RING Ø18 x Ø2.0	1	NO		FMGSV346129G
16	ALL MODELS	10050808AF	ACTUATING LUG ASSY.	1		INTERCHANGE ABLE WITH 10050808AG (ROHS)	FMGSV346129G
41	ALL MODELS	10051375AB	BRAKE PEDAL SHAFT	1			
41	ALL MODELS	10051375AC	BRAKE PEDAL SHAFT	1			
42	ALL MODELS	10051384AA	GREASE NIPPLE BUSH	1	NOT SHOWN	SUB PART OF S.NO.1 CLUTCH HSG. (10051198AG)	
43	ALL MODELS	20003357AB	HEX NUT M10 -8 SA3NS	8		SUB PART OF S.NO.1	

Sr.	Model	Item Code	Description	Qty	Int.	Remarks	Cut Off
						CLUTCH HSG. (10051198AG)	
53	ALL MODELS	20002016AB	HEX HEAD SCREW M10 x 1.5 x 30 8-8 SA2JS	4		INTERCHANGEABLE WITH 20005562AA (ROHS)	
53	ALL MODELS	20002015AB	HEX HEAD SCREW M10 x 1.5 x 25 8-8 SA2JS	4	YES	DELETE WITH IMPLEMENTING LOADER IN EU AND EPA	BMGSV325188G
58	CHILD PART OF 10051324AA	10011714AA	Clutch Plate (G.T.)	1		VIEW NOT SHOW, CHILD PART OF 10051324AA	
59	CHILD PART OF 10051324AA	10011715AA	Pressure Plate (G.T.)	1		VIEW NOT SHOW, CHILD PART OF 10051324AA	
1	SOLIS-20 TURF TYRES & INDUSTRIAL TYRES MODELS	10055992AA	CLUTCH HOUSING ASSY.	1	YES		MEMBMGST609624G
1A	SOLIS-20 TURF TYRES & INDUSTRIAL TYRES MODELS	10053105BA	CLUTCH HOUSING	1	NO	PART MODIFIED FROM 10053105AA	MEMBMGST609624G
1B	SOLIS-20 TURF TYRES & INDUSTRIAL TYRES MODELS	10055984AA	BUSH	2		BUSH ADDED IN CLUTCH HOUSING 10053105BA FROM	MEMBMGST609624G
1	ALL MODELS	10051198AJ	CLUTCH HOUSING	1			
1	ALL MODELS	10051198AL	CLUTCH HOUSING	1	NO		FMGSD289076G
1	ALL MODELS	10051198AM	CLUTCH HOUSING	1	YES		JMGSD301180G
8	ALL MODELS	10051224AD	UNIVERSAL JOINT ASSY.	1	YES	INTERCHANGEABLE WITH 10051224AF (ROHS)	JMGSD305740G
9	ALL MODELS	10050723AC	UNIVERSAL JOINT COVER	1			
12	ALL MODELS	10051224AD	UNIVERSAL JOINT ASSY.	1	YES	INTERCHANGEABLE WITH 10051224AF (ROHS)	JMGSD305740G
19	ALL MODELS	10050694CA	INPUT SHAFT	1	NO		KMGSD311279G
20	ALL MODELS	10052452AA	DOWEL PIN (6X28) UNIVERSAL JOINT	3	YES		EMGSD299197G
28	ALL MODELS EXCEPT SOLIS-20 FACELIFT	10051078AE	LEVER 4WD	1	YES		DMGSD310914G
45A	DI-20 GT, SOLIS-20 (WITHOUT TURF TYRE)	10052709AA	RUBBER PLUG	1	YES		DMGSD310914G
46	ALL MODELS	20004355AB	SNAP RING FOR SHAFT DIA 32 (DIN 7993)	3	YES	INTERCHANGEABLE WITH 20004355AD (ROHS)	EMGSD299197G
48	ALL MODELS	04030400012	SPRING WASHER B-12	10		QTY INCREASED BY 3 WITH 10051198AL FROM	FMGSD289076G
49	ALL MODELS	20004401AA	HEX HEAD SCREW M12X1.25X12 8.8 SA3NS	1		WITH 10051198AL FROM, DELETE	FMGSD289076G

Sr.	Model	Item Code	Description	Qty	Int.	Remarks	Cut Off
						WITH IMPLEMENTIN G LOADER IN EU AND EPA	
50	ALL MODELS	10052523AA	CASTING SEALER	75 ML		NOT SHOWN, NEW ADDED WITH 10051198AM FROM	JMGSD301180G
52	ALL MODELS	10052418AA	LOCKING SCREW M8X1X10	1		NEW ADDED FROM	HMGSD294684 G
55	ALL MODELS	20002912AA	CYD. PIN DIA6 R5 X 20 IS:6689	3			
56	ALL MODELS	20004029AA	GREASE NIPPLE M6X1	2		DELETE WITH IMPLEMENTIN G LOADER IN EU AND EPA	
1	ALL MODELS	10051198AT	CLUTCH HOUSING	1			
1	ALL MODELS	10051198AU	CLUTCH HOUSING	1	YES		FMGSU492814G
1	SOLIS-20 TURF TYRES & INDUSTRIAL TYRES MODELS	10053105AA	CLUTCH HOUSING	1			
9	SOLIS-20 TURF TYRE	10054025AA	UNIVERSAL JOINT COVER (REAR)	1			
19	SOLIS-20 TURF TYRE	10053582AB	INPUT SHAFT Z-15 L-512	1			
22	SOLIS-20 TURF TYRE	04040108020	Hex Head Bolt M8 x 1.25-20 8-8 SA2	4		WITH 10054025AA	
26	ALL MODELS	20004135AA	HEX SCREW M12X1.25X15	9			
1	ALL MODELS	10051198AI	CLUTCH HOUSING	1			
2	ALL MODELS	10050720AD	C.A. SHAFT ASSY.	1			
3	ALL MODELS	10050721AD	C.A. FORK	1			
4	ALL MODELS	10051245AB	INNER BUSH ASSY.	1			
6	ALL MODELS	20004065AA	CLUTCH RELEASE BEARING (306445CLLU)	1			
7	ALL MODELS	10051324AA	Clutch Set - GT	1			
8	ALL MODELS	10051224AB	UNIVERSAL JOINT ASSY.	1			
9	ALL MODELS	10050723AD	UNIVERSAL JOINT COVER	1			
10	ALL MODELS	10050688AA	RUBBER SEAL	2			
11	ALL MODELS	10050686AD	FRONT PTO SHAFT	1			
12	ALL MODELS	10051224AB	UNIVERSAL JOINT ASSY.	1			
13	ALL MODELS	10050752AC	UNIVERSAL JOINT COVER (LOWER)	1			
14	ALL MODELS	10050751AB	UNIVERSAL JOINT COVER(UPPER)	1			
15	ALL MODELS	04040106014	HEX SCREW M6X14	6		INTERCHANGE ABLE WITH 20005496AA (ROHS)	
16	ALL MODELS	10050808AD	ACTUATING LUG ASSY.	1			
17	ALL MODELS	10050809AB	BRACKET	1			

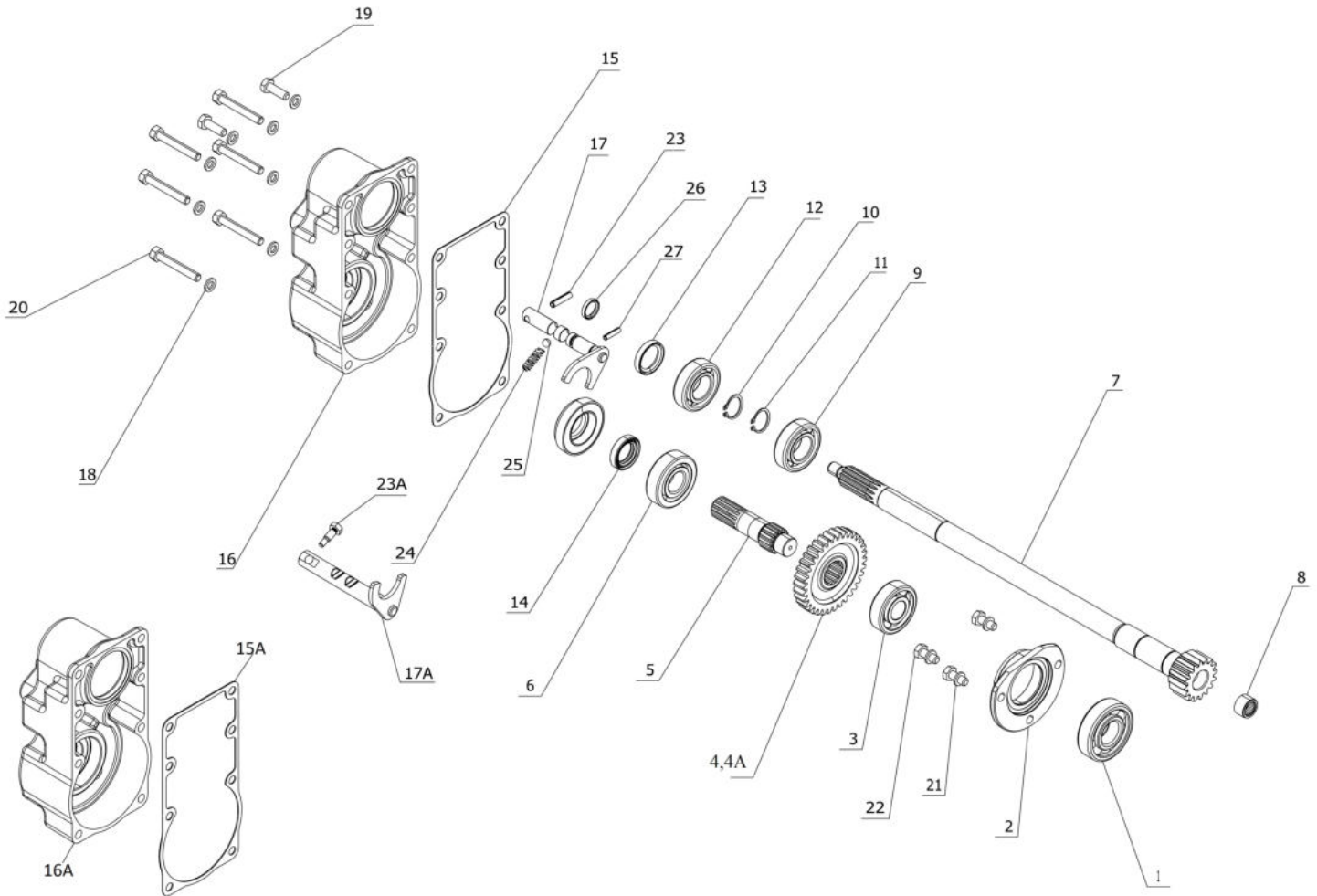
Sr.	Model	Item Code	Description	Qty	Int.	Remarks	Cut Off
18	ALL MODELS	20001096AA	HEX SCREW M8X1.25X20	2		INTERCHANGEABLE WITH 20005565AA (ROHS)	
19	ALL MODELS	10050694BA	INPUT SHAFT	1			
20	ALL MODELS	20004150AA	SPRING COTTER SLEEVE(DIA 6X28)	3			
21	ALL MODELS	20004150AA	SPRING COTTER SLEEVE(DIA 6X28)	1			
22	ALL MODELS	20002059AA	HEX HEAD SCREW M8 x 1.25 x 16 8-8	3		WITH 10050723AE	
23	ALL MODELS	04030400008	SPRING WASHER B-8	2		INTERCHANGEABLE WITH 20005517AA (ROHS)	
24	ALL MODELS	20002015AB	HEX HEAD SCREW M10 x 1.5 x 25 8-8 SA2JS	8			
25	ALL MODELS	10009797AA	DOWEL PIN (8X20)	2			
26	ALL MODELS	20004135AA	HEX SCREW M12X1.25X15	7		QTY INCREASED BY 2 WITH 10051198AL FROM	FMGSD289076G
27	ALL MODELS	20003804AA	SPRING COTTER SLEEVE 5x22	1			
28	ALL MODELS EXCEPT SOLIS-20 FACELIFT	10051078AB	LEVER 4WD	1			
29	ALL MODELS EXCEPT SOLIS-20 FACELIFT	10004846AB	KNOB (ROD ASSY / HANDLER PTO)	1		INTERCHANGEABLE WITH 10004846AE (ROHS)	
30	ALL MODELS	20004144AA	O-RING Ø15.6 x Ø2.3	2		INTERCHANGEABLE WITH 20004144AC (ROHS)	
31	ALL MODELS	20001096AA	HEX SCREW M8X20	6		INTERCHANGEABLE WITH 20005565AA (ROHS)	
32	ALL MODELS	10050687AA	PTO GUARD	1			
33	ALL MODELS	20000104AA	HEX SCREWM6x10	1		INTERCHANGEABLE WITH 20005573AA (ROHS)	
34	ALL MODELS	20004297AB	BALL BEARING 6001	1		INTERCHANGEABLE WITH 20004297AC (ROHS)	
37	ALL MODELS	10051260AA	BUSH	2		SUB PART OF 10051245AB, NOT SHOWN	
37	ALL MODELS	10051260AB	BUSH	2	YES	SUB PART OF 10051245AC, NOT SHOWN	FMGSV346129G
38	ALL MODELS	10050722AA	INNER BUSH	1		SUB PART OF 10051245AB , NOT SHOWN	
38	ALL MODELS	10050722AB	INNER BUSH	1	YES	SUB PART OF 10051245AB, NOT SHOWN	FMGSV346129G
38	ALL MODELS	10050722AC	INNER BUSH	1	YES	SUB PART OF 10051245AC, NOT SHOWN	

Sr.	Model	Item Code	Description	Qty	Int.	Remarks	Cut Off
39	ALL MODELS	10051379AA	BUSH FOR CLUTCH	1		SUB PART OF S.NO.1 CLUTCH HSG. NOT SHOWN	
40	ALL MODELS	10051380AA	BUSH FOR DRAIN PLUG	2			
5	ALL MODELS	20004142AA	O-RING Ø17.6 x Ø2.3	1			
44	ALL MODELS	10051888AA	RUBBER BOOT FOR CLUTCH HSG.	1		INTERCHANGEABLE WITH 10051888AB (ROHS)	
45	DI-20 GT, SOLIS-20 (WITHOUT TURF TYRE)	10001846AA	GROMMET	1			
46	ALL MODELS	20004355AA	SNAP RING	3			
47	ALL MODELS	10051264AB	DOWEL(10X20)	2			
32	ALL MODELS	10050687AC	PTO GUARD	1	YES		MMGSV334281G
14	ALL MODELS	10050751AC	UNIVERSAL JOINT COVER(UPPER)	1	YES		GMGSV340969G
13	ALL MODELS	10050752AD	UNIVERSAL JOINT COVER (LOWER)	1	YES		GMGSV344234G
9	ALL MODELS	10050723AE	UNIVERSAL JOINT COVER	1	YES		GMGSV344234G
19	ALL MODELS	10050694DA	INPUT SHAFT	1	NO		GMGSV343584G
57	ALL MODELS	10009797AA	DOWEL PIN (8X20)	1		NEW PART ADDED FROM	GMGSV341047G
4	ALL MODELS	10051245AC	INNER BUSH ASSY.	1	YES		FMGSV346129G
4	ALL MODELS	10051245BA	INNER BUSH ASSY.	1	NO		FMGSV350477G
6	ALL MODELS	20004065AA	CLUTCH RELEASE BEARING (306445CLLU)	1		DELETED WITH 10051245BA	FMGSV350477G
41	ALL MODELS	10051375AA	BRAKE PEDAL SHAFT	1			
11	ALL MODELS	10050686AE	FRONT PTO SHAFT	1	YES		FMGSV346129G
10	ALL MODELS	10050688AB	RUBBER SEAL	2	YES	INTERCHANGEABLE WITH 10050688AC (ROHS)	HMGSV352620G
6	ALL MODELS	20004566AA	CLUTCH RELEASE BEARING (306445CLLU)	1	NO	INTERCHANGEABLE WITH 20004566AB (ROHS)	FMGSV350477G
28A	SOLIS-20 FACELIFT	300022376B	LEVER 4WD	1			
29	SOLIS-20 FACELIFT	300007872A	KNOB (ROD ASSY / HANDLER PTO)	1			
60	SOLIS-20 FACELIFT	300022307B	LOCK PLATE	1			
61	SOLIS-20 FACELIFT	300035519A	GRUB SCREW M8X1.25	1			
62	SOLIS-20 FACELIFT	10020864AB	BALL 8 DIA GRADE 20 IS:2898	1			
63	SOLIS-20 FACELIFT	10053731AA	SPRING (FOR GT 20 4WD)	1		INTERCHANGEABLE WITH 300028591A (ROHS)	

Sr.	Model	Item Code	Description	Qty	Int.	Remarks	Cut Off
1	SOLIS-20 TURF TYRES & INDUSTRIAL TYRES MODELS	10055992AC	CLUTCH HOUSING ASSY.	1	YES	INTERCHANGEABLE WITH 10055992AD (ROHS)	FOR NON EU MODELS-AMGSS837351G, FOR EU MODELS-MEMRMGSNSA KH04915
6	ALL MODELS	20004566AB	CLUTCH RELEASE BEARING TG 1956/1 GT4WD	1	YES		
8	ALL MODELS	10051224AF	UNIVERSAL JOINT ASSY.	1	YES		
10	ALL MODELS	10050688AC	RUBBER SEAL	2	YES		
12	ALL MODELS	10051224AF	UNIVERSAL JOINT ASSY.	1	YES		
18	ALL MODELS	20005565AA	HEX HEAD SCREW M8X1.25X20 -8.8 SA4GS	2	YES		
23	ALL MODELS	20005517AA	SPRING WASHER B-8 TYPE A IS: 3067-1972	2	YES		
29	ALL MODELS EXCEPT SOLIS-20 FACELIFT	300007872A	KNOB (ROD ASSY / HANDLER PTO)	1	YES		
31	ALL MODELS	20005565AA	HEX HEAD SCREW M8X1.25X20 -8.8 SA4GS	6	YES		
33	ALL MODELS	20005573AA	HEX SCREW M6X10	1	YES		
46	ALL MODELS	20004355AD	SNAP RING FOR SHAFT DIA 32 (DIN 7993)	3	YES		
63	SOLIS-20 FACELIFT	300028591A	SPRING (FOR GT 20 4WD)	1	YES		
5	SOLIS-20 EU FACELIFT (POWER STG.)	20004142AD	O-RING Ø18 X Ø2.0	1			
18	SOLIS-20 EU FACELIFT (POWER STG.)	200000430A	HEX. HEAD SCREW M8X1.25X20 8.8 SA4GS	2			
24	SOLIS-20 EU FACELIFT (POWER STG.)	20005553AA	HEX HEAD SCREW M10X1.5X25 SA4GS	8			
28A	SOLIS-20 EU FACELIFT (POWER STG.)	300146369A	LEVER 4WD	1			
31	SOLIS-20 EU FACELIFT (POWER STG.)	200000430A	HEX. HEAD SCREW M8X1.25X20 8.8 SA4GS	6			
38	SOLIS-20 EU FACELIFT (POWER STG.)	10050722BA	INNER BUSH	1		SUB PART OF 10051245BB, NOT SHOWN	
41	SOLIS-20 EU FACELIFT (POWER STG.)	300033905A	BRAKE PEDAL SHAFT	1			
61	SOLIS-20 EU FACELIFT (POWER STG.)	903401013A	SLOTTED GRUB SCREW A-M8X8	1			
63	SOLIS-20 EU FACELIFT (POWER STG.)	10053731AA	SPRING (FOR 4WD)	1			
67	SOLIS-20 EU FACELIFT (POWER STG.)	20005585AA	HEX HEAD SCREW M10X20 8.8 SA4GS	1			
68	SOLIS-20 EU FACELIFT (POWER STG.)	04030600010	PLAIN WASHER DIA 10.5 *DIA 30 *2.5	1			
70	SOLIS-20 EU FACELIFT (POWER STG.)	20005559AA	HEX HEAD SCREW M8X1.25X16 -8.8 SA4GS	3			

05120A-1/2

INPUT SHAFT & 4WD SHAFT ASSY. WITH FRONT COVER HSG.



Sr.	Model	Item Code	Description	Qty	Int.	Remarks	Cut Off
1	ALL MODELS	20004368AC	BALL BEARING LS10	1			
20	ALL MODELS	20005600AA	HEX HEAD BOLT M8X55_8.8 SA4GS	6			
28	ALL MODELS	10051888AB	RUBBER BOOT FOR CLUTCH HSG.	1			
5	ALL MODELS	10050683AD	SHAFT FOR 4WD	1	YES		DMKSU518820G 26D
16	ALL MODELS	10050746AG	BEARING HOUSING FRONT	1	YES		DMGSU519912 G
16	ALL MODELS	10050746AF	BEARING HOUSING FRONT	1	YES		CMGSV381138G
17A	ALL MODELS	10050812AI	FORK ASSY.4WD	1	YES		BMGSV325188G
23A	ALL MODELS	10052380AA	SHIFTER PIN FOR 4WD GEAR	1	NO		BMGSV325188G

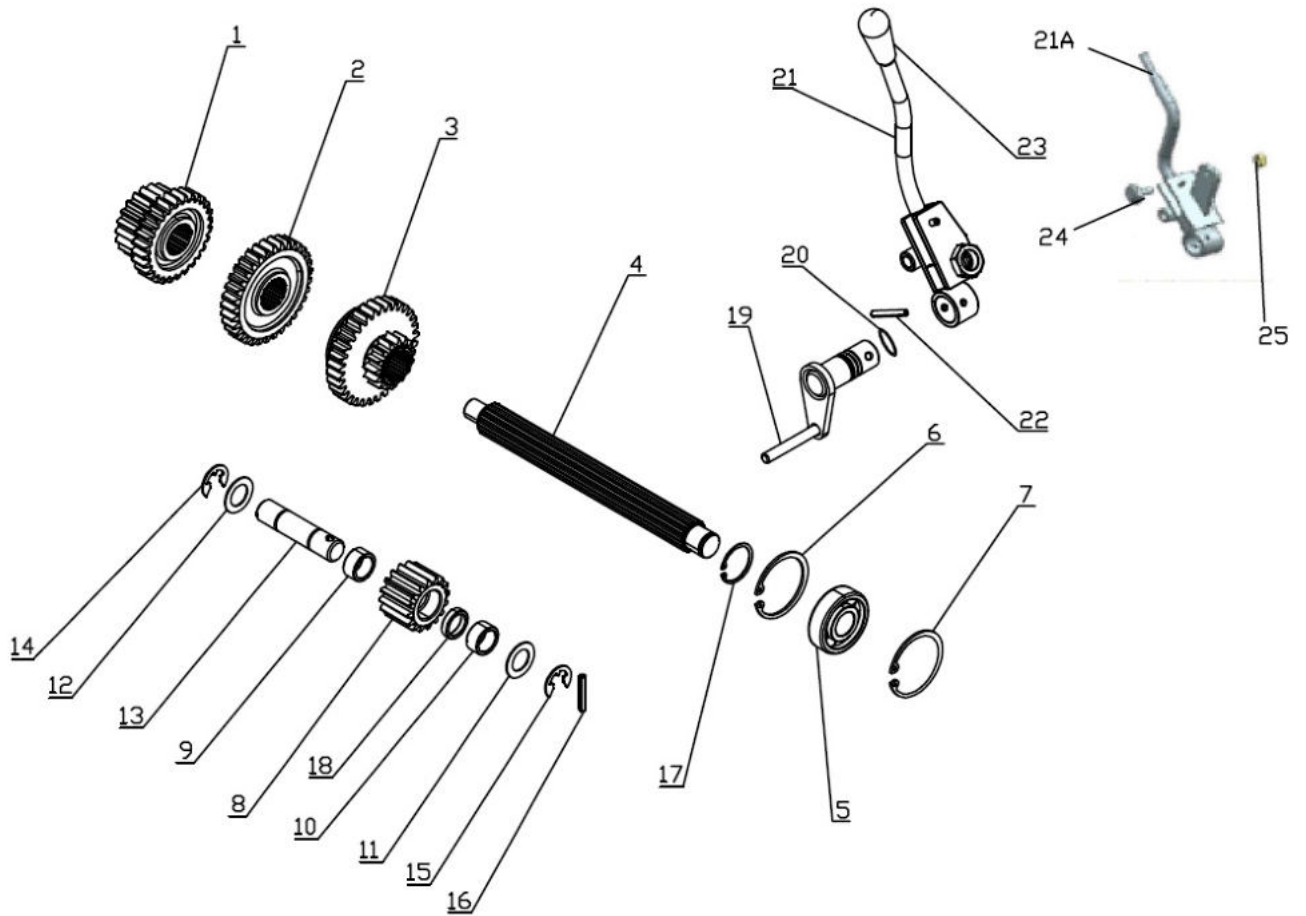
Sr.	Model	Item Code	Description	Qty	Int.	Remarks	Cut Off
1	ALL MODELS	20004368AC	BALL BEARING LS10 (25.4 x 57.15 x 15.875)	1	YES		AMGSF549244G
28	ALL MODELS	10051888AA	RUBBER BOOT FOR CLUTCH HSG.	1		INTERCHANGEABLE WITH 10051888AB (ROHS)	
24	ALL MODELS	10053731AA	SPRING (FOR GT 20 4WD)	1	NO	INTERCHANGEABLE WITH 300028591A (ROHS)	AMGSE406480G , KMKSU529195G 26D
17A	ALL MODELS	10050812AK	FORK ASSY.4WD	1	YES		CMGSE459365G
7	ALL MODELS	10050694CA	INPUT SHAFT	1	NO		KMGSD311279G
7	SOLIS-20 TURF TYRE	10053582AB	INPUT SHAFT Z-15 L-512	1			
23A	ALL MODELS	10052380AB	SHIFTER PIN FOR 4WD GEAR	1	YES		MEMRMGSNSF KH05857
1	ALL MODELS	20004368AA	BALL BEARING LS10 (25.4 x 57.15 x 15.875)	1		INTERCHANGEABLE WITH 20004368AC (ROHS)	
2	ALL MODELS	10050685AC	BEARING HOUSING	1			
3	ALL MODELS	20003477AA	BALL BEARING (6304)	1		INTERCHANGEABLE WITH 20003477AB (ROHS)	
4	ALL MODELS	10050684AC	FIXED GEAR Z-34 FOR 4WD	1			
5	ALL MODELS	10050683AC	SHAFT FOR 4WD	1			
6	ALL MODELS	20004122AA	BALL BEARING 63/22	1		INTERCHANGEABLE WITH 20004122AB (ROHS)	
7	ALL MODELS	10050694BA	INPUT SHAFT	1			
8	ALL MODELS	04001216021	NEEDLE BUSH JL 10 8 (M32551)	1		INTERCHANGEABLE WITH 20005052AA (ROHS)	
9	ALL MODELS	20004346AA	BALL BEARING (6205NR)	1			
10	ALL MODELS	20004134AA	EXTERNAL CIRCLIP A-25	1			
11	ALL MODELS	20004134AA	EXTERNAL CIRCLIP A-25	1			
12	ALL MODELS	20004119AA	BALL BEARING (6205)	2		INTERCHANGEABLE WITH 20004119AB (ROHS)	
13	ALL MODELS	04070225035	OIL SEAL 35X25X7 (M87629)	1		INTERCHANGEABLE WITH 20005056AA (ROHS)	
14	ALL MODELS	20004156AA	OIL SEAL 4D035022	1			
15	ALL MODELS	10051200AA	GASKET FOR BEARING HOUSING FRONT	1		INTERCHANGEABLE WITH 10054280AA (ROHS)	
16	ALL MODELS	10050746AD	BEARING HOUSING FRONT	1			

Sr.	Model	Item Code	Description	Qty	Int.	Remarks	Cut Off
17	ALL MODELS	10050812AE	FORK ASSY.4WD	1			
18	ALL MODELS	04030400008	SPRING WASHER B-8	8		INTERCHANGEABLE WITH 20005517AA (ROHS)	
19	ALL MODELS	20001089AA	HEX SCREW M8x1.25-25	2		INTERCHANGEABLE WITH 20005564AA (ROHS)	
20	ALL MODELS	20004136AA	HEX HEAD BOLT M8X1.25X55	6			
21	ALL MODELS	04030400008	SPRING WASHER B-8	3		INTERCHANGEABLE WITH 20005517AA (ROHS)	
22	ALL MODELS	20001096AA	HEX SCREW M8x1.25-20	3		INTERCHANGEABLE WITH 20005565AA (ROHS)	
23	ALL MODELS	20004149AA	SPRING COTTER SLEEVE 6x25	1			
24	ALL MODELS	10050707AA	SPRING	1		INTERCHANGEABLE WITH 300028591A (ROHS)	
25	ALL MODELS	10020864AA	BALL 8 DIA GRADE 20 IS:2898	1			
26	ALL MODELS	10020828AA	OIL SEAL (SHIFTER HOUSING)	1			
27	ALL MODELS	20004313AA	SPRING COTTER SLEEVE Ø5*26	1			
16	ALL MODELS	10050746AE	BEARING HOUSING FRONT	1	YES		DMGSV369022G
7	ALL MODELS	10050694DA	INPUT SHAFT	1	NO		GMGSV343584G
4A	SOLIS-20	10056466AA	FIXED GEAR FOR 4WD (FINISH)	1	YES AS A SET	10050724AB, 10050684AC BOTH INTERCHANGE AS A SET WITH 10054115AA, 10056466AA FOR BOM 2011A5475JDAJ UDE, 2011A5500JDAJ UDE, 2011A5713JDAJ UDE, 2011A5724JDAJ UD	MEMRMKSNSC JH03419
3	ALL MODELS	20003477AB	BEARING 6304	1	YES		
6	ALL MODELS	20004122AB	BALL BEARING 63/22	1	YES		
8	ALL MODELS	20005052AA	NEEDLE BEARING JL - 108	1	YES		
9	ALL MODELS	20004346AB	BALL BEARING 6205NR (WITH SNAP RING)	1	YES		
12	ALL MODELS	20004119AB	BALL BEARING (6205)	2	YES		
13	ALL MODELS	20005056AA	OIL SEAL 35*25*7	1	YES		
14	ALL MODELS	20004156AB	OIL SEAL 4D035022	1	YES		

Sr.	Model	Item Code	Description	Qty	Int.	Remarks	Cut Off
15	ALL MODELS	10054280AA	ASKET (BEARING HSG FRONT)	1	YES		
18	ALL MODELS	20005517AA	SPRING WASHER B-8 TYPE A IS: 3067-1972	8	YES		
21	ALL MODELS	20005517AA	SPRING WASHER B-8 TYPE A IS: 3067-1972	3	YES		
22	ALL MODELS	20005565AA	HEX HEAD SCREW M8X1.25X20 -8.8 SA4GS	3	YES		
24	ALL MODELS	300028591A	SPRING (FOR GT 20 4WD)	1	YES		
2	SOLIS-20 EU FACELIFT (POWER STG.)	10050685AE	BEARING HOUSING	1			
15A	SOLIS-20 EU FACELIFT (POWER STG.)	10051200AB	Gasket for Bearing Housing Front	1			
16A	SOLIS-20 EU FACELIFT (POWER STG.)	10050746AJ	Bearing Housing Front	1			
19	SOLIS-20 EU FACELIFT (POWER STG.)	20005564AA	HEX HEAD SCREW M8X1.25-25 -8.8 SA4GS	2			
22	SOLIS-20 EU FACELIFT (POWER STG.)	200000430A	HEX. HEAD SCREW M8X1.25X20 8.8 SA4GS	3			
25	SOLIS-20 EU FACELIFT (POWER STG.)	10020864AB	BALL 8 DIA GRADE 20 IS:2898	1			

05130A-1/1

INTERMEDIATE SHAFT & IDLER ASSY



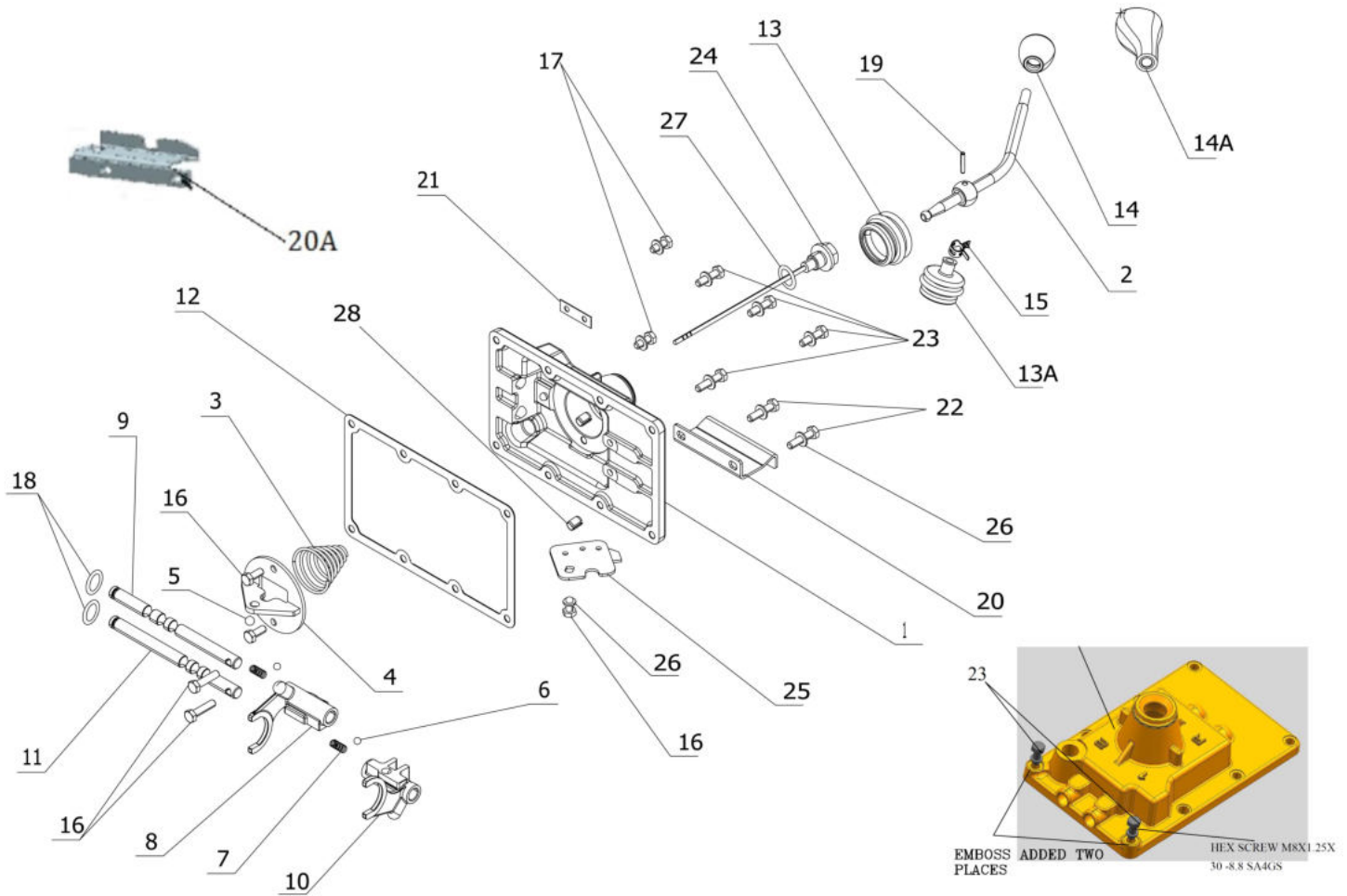
Sr.	Model	Item Code	Description	Qty	Int.	Remarks	Cut Off
9	ALL MODELS	20004147AB	NEEDLE CAGE BEARING (24X18X12)	1			
10	ALL MODELS	20004147AB	NEEDLE CAGE BEARING (24X18X12)	1			
19	ALL MODELS	10050714AD	PIN ASSY. HI LOW	1	YES		BMGSV325188G
20	ALL MODELS	20004142AB	O-RING Ø18 x Ø2.0	1	NO		FMGSV346129G
19	ALL MODELS	10050714AF	PIN ASSY. HI LOW	1			FMGSV346129G
21	SOLIS-20	10050712AC	LEVER ASSY. HI LOW	1			
21	ALL MODELS EXCEPT SOLIS-20 FACELIFT	10050712AC	LEVER ASSY. HI LOW	1	YES	FROM	AMGSE409026G
21	ALL MODELS EXCEPT SOLIS-20 FACELIFT	10050712AD	LEVER ASSY. HI LOW	1	YES	INTERCHANGEABLE WITH 10053648AD	FMGSU496453G

Sr.	Model	Item Code	Description	Qty	Int.	Remarks	Cut Off
						(ROHS)	
1	SOLIS-20(TRUF TYRE)	10053472AA	SLIDING GEAR 2ND 3RD Z-28 Z-19	1	NO		LMGSV388266G
1	ALL MODELS	10050696AB	SLIDING GEAR Z-21 & 28 (2ND / 3RD)	1			
2	ALL MODELS	10050697AC	SLIDING GEAR Z-33 (1ST / REV)	1			
3	ALL MODELS	10050698AC	SLIDING GEAR Z-15 & 33 (HI / LOW)	1			
4	ALL MODELS	10050695AB	INTERMEDIATE SHAFT	1			
5	ALL MODELS	20003477AA	BALL BEARING (6304)	1		INTERCHANGE ABLE WITH 20003477AB (ROHS)	
6	ALL MODELS	20004113AA	INTERNAL CIRCLIP B-52	1			
7	ALL MODELS	20004113AA	INTERNAL CIRCLIP B-52	1			
8	ALL MODELS	10050731AD	IDLER GEAR Z-16	1			
9	ALL MODELS	20004147AA	NEEDLE CAGE BEARING (24X18X12)	1		INTERCHANGE ABLE WITH 20004147AB (ROHS)	
10	ALL MODELS	20004147AA	NEEDLE CAGE BEARING (24X18X12)	1		INTERCHANGE ABLE WITH 20004147AB (ROHS)	
11	ALL MODELS	10050807AB	WASHER (IDLER SHAFT)	1			
12	ALL MODELS	10050807AB	WASHER (IDLER SHAFT)	1			
13	ALL MODELS	10050802AB	IDLER SHAFT	1			
14	ALL MODELS	20004151AA	EXTERNAL CIRCLIP E-15	1			
15	ALL MODELS	20004151AA	EXTERNAL CIRCLIP E-15	1			
16	ALL MODELS	20004146AA	SPRING COTTER SLEEVE(DIA 5X32)	1			
17	ALL MODELS	04020200020	EXTERNAL CIRCLIP A20	1			
18	ALL MODELS	10051484AA	SPACER (IDLER GEAR)	1			
19	ALL MODELS	10050714AC	PIN ASSY. HI/ LOW	1			
20	ALL MODELS	20004142AA	O-RING Ø17.6 x Ø2.3	1			
21	ALL MODELS EXCEPT SOLIS-20 FACELIFT	10050712AB	LEVER ASSY. HI LOW	1			
22	ALL MODELS	20004146AA	SPRING COTTER SLEEVE(dia 5X32)	1			
23	ALL MODELS EXCEPT SOLIS-20 FACELIFT	10004846AB	KNOB (ROD ASSY / HANDLER PTO)	1		INTERCHANGE ABLE WITH 10004846AE (ROHS)	
21A	SOLIS-20 FACELIFT	300009605C	LEVER ASSY. HI LOW	1			
23	SOLIS-20 FACELIFT	300007872A	KNOB (ROD ASSY / HANDLER PTO)	1			
24	SOLIS-20 FACELIFT	300034077B	SWITCH ACTUATING PIN	1			
25	SOLIS-20 FACELIFT	20003351AC	HEX NUT M8X1.25 -8 SA2JS	1		INTERCHANGE ABLE WITH	

Sr.	Model	Item Code	Description	Qty	Int.	Remarks	Cut Off
						20005491AA (ROHS)	
5	ALL MODELS	20003477AB	BEARING 6304	1	YES		
23	ALL MODELS EXCEPT SOLIS-20 FACELIFT	300007872A	KNOB (ROD ASSY / HANDLER PTO)	1	YES		
25	SOLIS-20 FACELIFT	20005491AA	HEX NUT M6 -8 SA4GS	1	YES		
1	SOLIS-20 EU FACELIFT (POWER STG.)	10057078AA	SLIDING GEAR 2ND & 3RD Z-29/Z-24 (FINISH)	1			
3	SOLIS-20 EU FACELIFT (POWER STG.)	10056735AB	SLIDING GEAR HI-LOW Z-34/Z-15 (FINISH)	1			
20	SOLIS-20 EU FACELIFT (POWER STG.)	20004142AD	O-RING Ø18 x Ø2.0	1			

06110A-1/2

SHIFTER HOUSING ASSY.



Sr.	Model	Item Code	Description	Qty	Int.	Remarks	Cut Off
14	ALL MODELS	10053659AC	SHIFTER KNOB (DIFF. SPEED)	1			
16	ALL MODELS	20005559AA	HEX HEAD SCREW M8X1.25X16 -8.8 SA4GS	5			
18	ALL MODELS	20004143AC	O-RING Ø09.6 X Ø2.3	2			
13A	ALL MODELS	10050702AE	RUBBER BOOT	1	YES	INTERCHANGEABLE WITH 10055133AA (ROHS)	MMGSV333460G
28	ALL MODELS	10052733AA	SPRING DOWEL SLEEVE LIGHT	2		NEW ADDED WITH 10050699AE FROM	BMGSE390954G
4	ALL MODELS	10050709AC	LOCKING PLATE	1	YES		KMGSV376099G

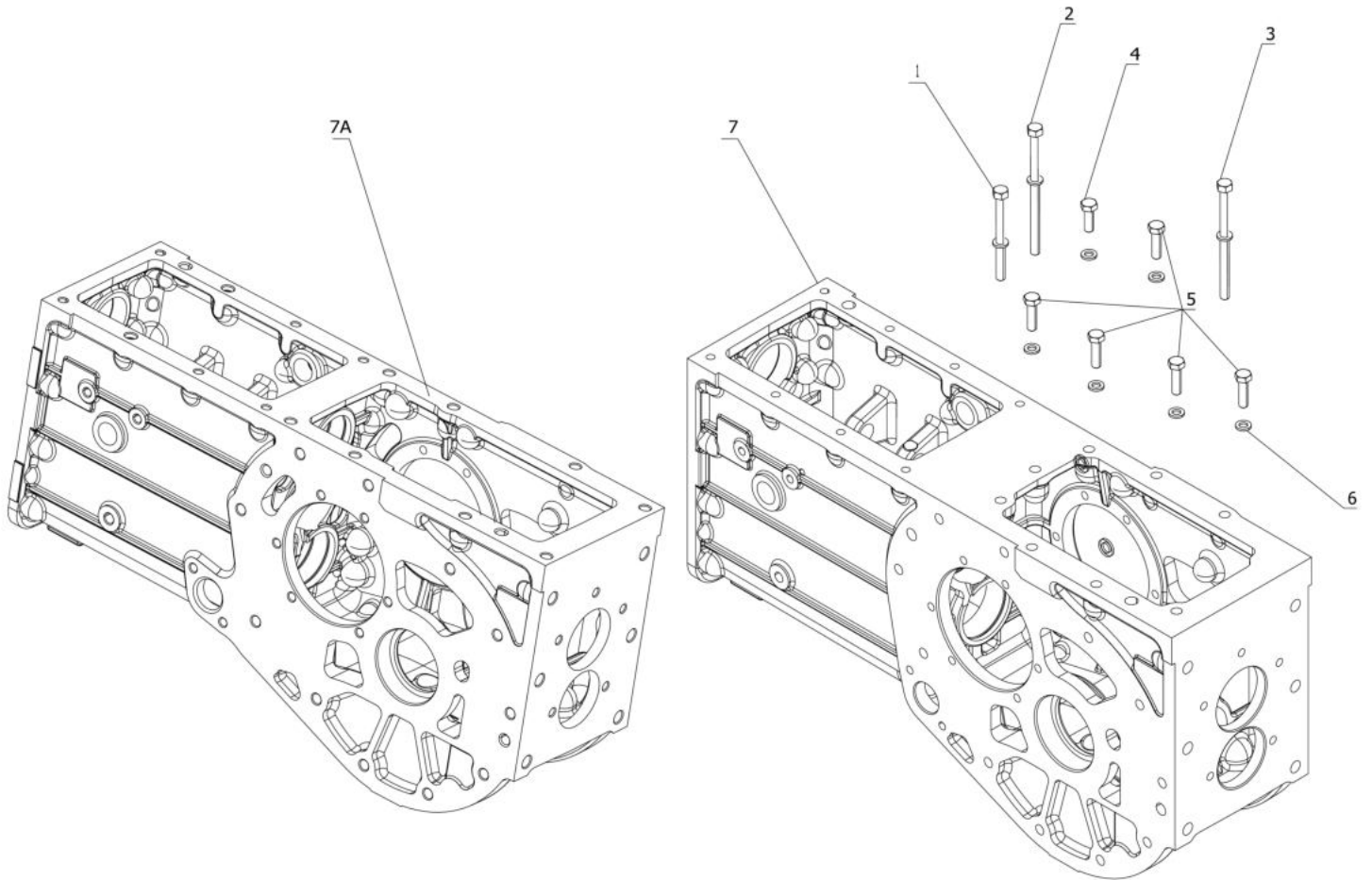
Sr.	Model	Item Code	Description	Qty	Int.	Remarks	Cut Off
3	ALL MODELS	10050711AD	CONICAL SPRING	1	YES	INTERCHANGEABLE WITH 10050711AE (ROHS)	LMGSV387983G
1	ALL MODELS	10050699AE	GEAR SHIFTER HSG.	1	YES		BMGSE390954G
8	ALL MODELS	10050705AD	SHIFTER FORK	1	YES		LMGSV387813G
10	ALL MODELS	10050705AD	SHIFTER FORK	1	YES		LMGSV387813G
12	ALL MODELS	10051202AB	GASKET GEAR SHIFTER HSG.	1	YES	INTERCHANGEABLE WITH 10055132AA (ROHS)	BMGSE390954G
15	WITH 10050702AE	10053039AA	CLAMP DIA 16	1		NEW PART ADDED	MMGSV333460G
22	SOLIS-20	20003285AB	HEX SCREW M8X1.25X30 8-8 SA2JS	2			
7	ALL MODELS	10053731AA	SPRING (FOR GT 20 4WD)	2	NO	INTERCHANGEABLE WITH 300028591A (ROHS)	AMGSE406480G , KMKSU529195G 26D
2	ALL MODELS	10050700AC	GEAR SHIFTER LEVER	1	YES		EMGSD297363G
13	ALL MODELS	10050702AC	RUBBER BOOT	1			
1	ALL MODELS	10050699AD	GEAR SHIFTER HSG.	1			
2	ALL MODELS	10050700AB	GEAR SHIFTER LEVER	1			
3	ALL MODELS	10050711AC	CONICAL SPRING	1		INTERCHANGEABLE WITH 10050711AE (ROHS)	
4	ALL MODELS	10050709AB	LOCKING PLATE	1			
5	ALL MODELS	10020861AB	BALL 10 DIA GRADE 20 IS:2898	1			
6	ALL MODELS	10020864AB	BALL 8 DIA GRADE 20 IS:2898	2			
7	ALL MODELS	10050707AA	SPRING	2		INTERCHANGEABLE WITH 300028591A (ROHS)	
8	ALL MODELS	10050705AC	SHIFTER FORK	1			
9	ALL MODELS	10050704AB	SHIFTER ROD 2ND/ 3RD	1			
10	ALL MODELS	10050705AC	SHIFTER FORK	1			
11	ALL MODELS	10050703AB	SHIFTER ROD 1ST / REV	1			
12	ALL MODELS	10051202AA	GASKET GEAR SHIFTER HSG.	1			
13	ALL MODELS	10050702AB	RUBBER BOOT	1			
14	ALL MODELS	10050701AB	GEAR SHIFTER KNOB	1			
16	ALL MODELS	20002059AA	HEX SCREW M8X16	5		INTERCHANGEABLE WITH 20005559AA (ROHS)	
17	ALL MODELS	20001096AA	HEX SCREW M8X1.28X20	2		INTERCHANGEABLE WITH 20005565AA	

Sr.	Model	Item Code	Description	Qty	Int.	Remarks	Cut Off
						(ROHS)	
18	ALL MODELS	20004143AA	O-RING DIA 9.6X2.3	2		INTERCHANGEABLE WITH 20004143AC (ROHS)	
19	ALL MODELS	20004146AA	SPRING COTTER SLEEVE 5x32	1			
20	ALL MODELS EXCEPT SOLIS-20 FACELIFT	10050716AC	GUIDE PLATE	1			
21	ALL MODELS	10050710AA	LOCKING WASHER(SHIFTER ROD)	1			
22	ALL MODELS EXCEPT SOLIS-20	20003286AB	HEX SCREW M8X1.25X35	2		INTERCHANGEABLE WITH 20005566AA (ROHS)	
23	ALL MODELS	20003285AB	HEX SCREW M8X1.25X30	4			
24	ALL MODELS	10051787AA	DIPSTICK FOR GARDEN TRAC	1			
25	ALL MODELS	10050715AC	LOCKING PLATE	1			
26	ALL MODELS	04030400008	SPRING WASHER B-8	9		INTERCHANGEABLE WITH 20005517AA (ROHS)	
27	ALL MODELS	04030222029	SEALING WASHER DIA 22.2 * DIA 29 * 1.5	1			
2	ALL MODELS	10050700AE	GEAR SHIFTER LEVER	1	YES		FMGSV347810G
2	ALL MODELS	10053664AA	GEAR SHIFTER LEVER	1	NO		CMGSU529848G
14	ALL MODELS	10053659AA	SHIFTER KNOB (DIFF. SPEED)	1		INTERCHANGEABLE WITH 10053659AC (ROHS)	
14	ALL MODELS	10053659AC	SHIFTER KNOB (DIFF. SPEED)	1	YES		MEMBMGSF539927G
20A	SOLIS-20 FACELIFT	10053650AE	GUIDE PLATE	1			
8	ALL MODELS	10050705AE	SHIFTER FORK	1	YES		MMGSG708994G
10	ALL MODELS	10050705AE	SHIFTER FORK	1	YES		MMGSG708994G
3	ALL MODELS	10050711AE	CONICAL SPRING	1	YES		
7	ALL MODELS	300028591A	SPRING (FOR GT 20 4WD)	2	YES		
12	ALL MODELS	10055132AA	GASKET FOR GEAR SHIFTER HOUSING	1	YES		
13A	ALL MODELS	10055133AA	RUBBER BOOT	1	YES		
17	ALL MODELS	20005565AA	HEX HEAD SCREW M8X1.25X20 -8.8 SA4GS	2	YES		
26	ALL MODELS	20005517AA	SPRING WASHER B-8 TYPE A IS: 3067-1972	9	YES		
1	ALL MODELS	10050699AH	GEAR SHIFTER HOUSING	1	YES		MEMRLKSNSHLH11870
23	ALL MODELS	20001089AA	HEX. HEAD SCREW M8 X 1.25-25 8-8 SA2JS	2			
23	ALL MODELS	20005563AA	HEX SCREW M8X1.25X30 -8.8 SA4GS	2	YES		MEMRLKSNSHLH11870

Sr.	Model	Item Code	Description	Qty	Int.	Remarks	Cut Off
22	ALL MODELS	300088069A	HEX HEAD SCREW M8X1.25X40 10.9 SA4GS	2	YES		MEMRLKSNSHL H11870
17	SOLIS-20 EU FACELIFT (POWER STG.)	200000430A	HEX. HEAD SCREW M8X1.25X20 8.8 SA4GS	2			
25	SOLIS-20 EU FACELIFT (POWER STG.)	10050709AC	LOCKING PLATE	1			

07110A-1/1

TRANSMISSION HSG.

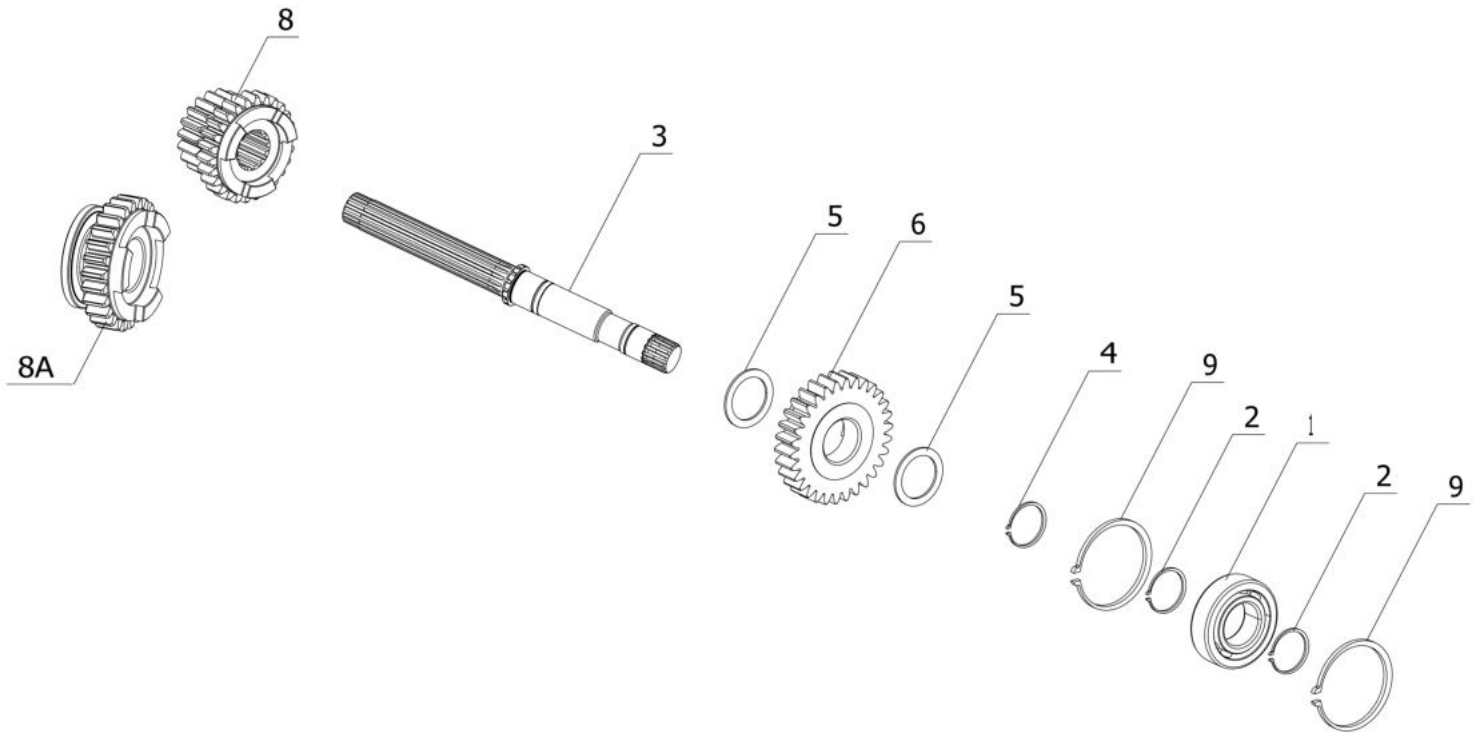


Sr.	Model	Item Code	Description	Qty	Int.	Remarks	Cut Off
2	ALL MODELS	20005594AA	HEX HEAD BOLT M10X130_8.8 SA4GS	1			
7	ALL MODELS	10051135AH	TRANSMISSION HOUSING	1	YES		BMGSE390954G
7	ALL MODELS	10051135AK	TRANSMISSION HOUSING	1	YES		MMGSE403515G
7	ALL MODELS	10051135AL	TRANSMISSION HOUSING	1	YES		KMGSE456626G
1	ALL MODELS	20003223AA	HEX BOLT M10*1.5*90 8-8 SA3NS	1		INTERCHANGEABLE WITH 20003223AB (ROHS)	
2	ALL MODELS	04040710130	HEX HEAD BOLT M10X130	1		INTERCHANGEABLE WITH 20005594AA (ROHS)	

Sr.	Model	Item Code	Description	Qty	Int.	Remarks	Cut Off
3	ALL MODELS	20004067AA	HEX BOLT M10*1.5*120 8-8 SA3NS	1			
4	ALL MODELS	20002015AB	HEX HEAD SCREW M10 x 1.5 x 25 8-8 SA2JS	1			
5	ALL MODELS	20002016AB	HEX HEAD SCREW M10 x 1.5 x 30 8-8 SA2JS	5		INTERCHANGEABLE WITH 20005562AA (ROHS)	
6	ALL MODELS	04030400010	SPRING WASHER B-10	9			
7	ALL MODELS	10051135AF	TRANSMISSION HOUSING	1			
3	ALL MODELS	20004067AB	HEX BOLT M10*1.5*120 8-8 SA3NS	1	YES		BYDDF536462MS
1	ALL MODELS	20003223AB	HEX BOLT M10*1.5*90 8-8 SA3NS	1	YES		BMKSF538711G26
4	SOLIS-20 EU FACELIFT (POWER STG.)	20004078AD	HEX SCREW M10*1.25*25	1			
5	SOLIS-20 EU FACELIFT (POWER STG.)	20005562AA	HEX HEAD SCREW M10X1.5X30 -8.8 SA4GS	5			

07120A-1/1

PTO LAY SHAFT SUB-ASSY



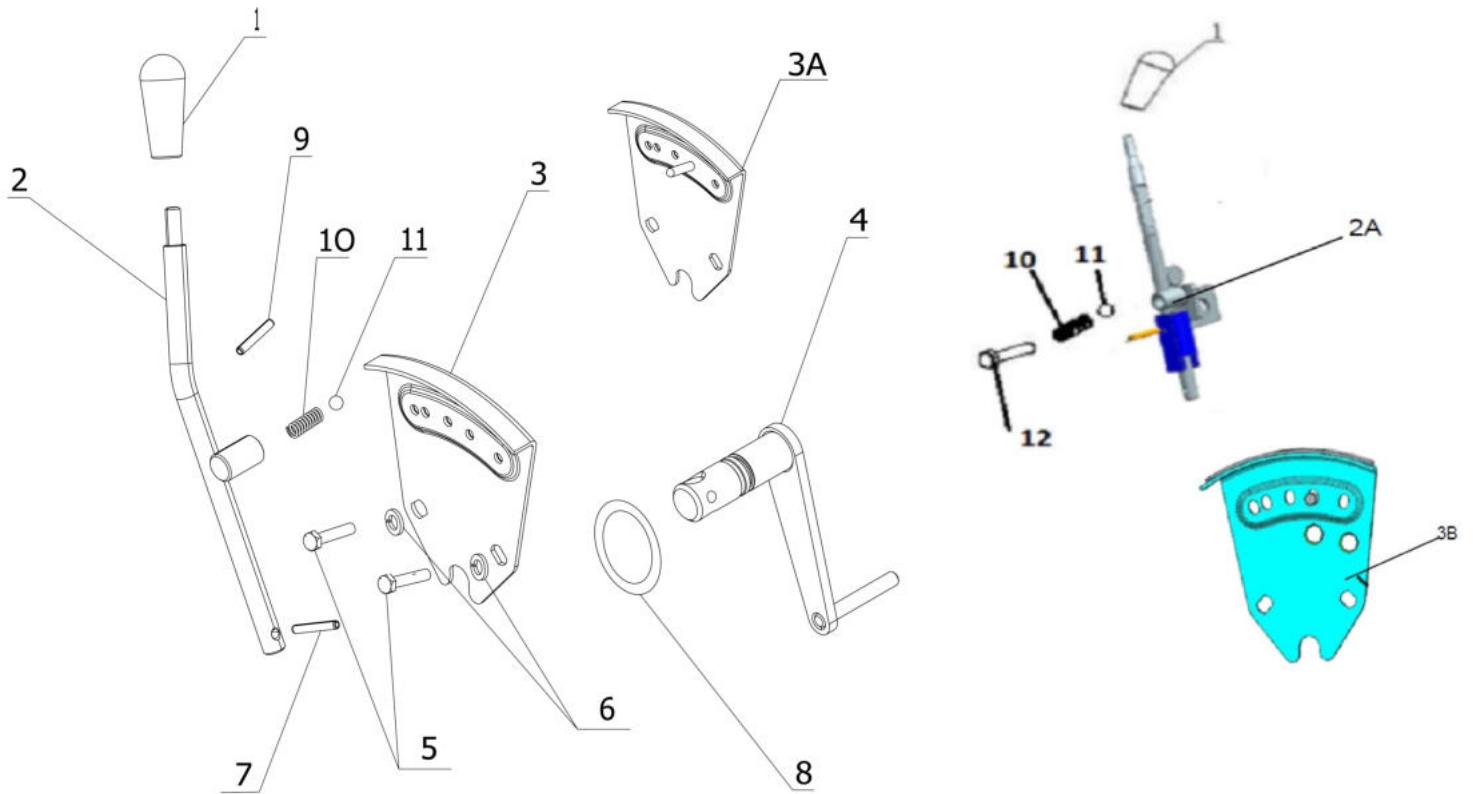
Sr.	Model	Item Code	Description	Qty	Int.	Remarks	Cut Off
1	ALL MODELS	20004368AC	BALL BEARING LS10	1			
8A	DI-22 GT,SOLIS-20 WITH INDUSTRIAL TYRE	10053492BC	PTO SLIDING GEAR Z-26	1			
8A	DI-22 GT,SOLIS-20 WITH INDUSTRIAL TYRE	10053492BE	PTO SLIDING GEAR Z-26	1	YES		FYJST649902G2
3	SOLIS-20 WITH TRUF TYRE (NEATHERLAND, UK,POLAND)	10050754BC	PTO LAY SHAFT	1		FOR SOLIS-20 WITH TRUF TYRE (NEATHERLAND,UK,POLAND), PART MODIFIED FROM 10050754AF FROM MYJSF544055G	MYJSF544055G22

Sr.	Model	Item Code	Description	Qty	Int.	Remarks	Cut Off
						22	
8A	SOLIS-20(TRUF TYRE)	10053492AA	PTO SLIDING GEAR Z-26	1			
1	ALL MODELS	20004368AC	BALL BEARING LS10 (25.4 x 57.15 x 15.875)	1	YES		AMGSF549244G
6	ALL MODELS	10050729AD	PTO FIXED GEAR Z-30	1	YES		JYJSF578100G22
5	ALL MODELS	10050728AC	WASHER (PTO)	1	NO	WITH 10050754BC FROM	DMGSU519912G, MYJSF544055G22
6	ALL MODELS	10050729AC	PTO FIXED GEAR Z-30	1			
8	ALL MODELS	10050727AC	PTO SLIDING GEAR Z-19 & 26	1			
8A	SOLIS-20 WITH TRUF TYRE (NEATHERLAND, UK,POLAND)	10053492BC	PTO SLIDING GEAR Z-26	1	NO		MYJSF544055G22
8	DI-20 GT NORTH SPL,DI-20 GT WITH ADDC,,SOLIS-20 EXCEPT SOLIS 20 WITH TURF TYRE	10050727BB	PTO SLIDING GEAR Z-19 & 26	1	NO		DMGSU519912G
8	DI-20 GT NORTH SPL,DI-20 GT WITH ADDC,,SOLIS-20 EXCEPT SOLIS 20 WITH TURF TYRE	10050727BD	PTO SLIDING GEAR Z-19 & 26	1	YES		GMGST639451G
9	ALL MODELS	20004274AA	INTERNAL CIRCLIP B-58	1			
1	ALL MODELS	20004368AA	BALL BEARING LS10 (25.4 x 57.15 x 15.875)	1		INTERCHANGEABLE WITH 20004368AC (ROHS)	
2	ALL MODELS	20004134AA	EXT CIRCLIP A-25	2			
3	ALL MODELS	10050754AE	PTO LAY SHAFT	1			
3	ALL MODELS	10050754AF	PTO LAY SHAFT	1	NO		EMGSD297992G
3	DI-20 GT NORTH SPL,DI-20 GT WITH ADDC,SOLIS-20 EXCEPT SOLIS 20 WITH TURF TYRE	10050754BC	PTO LAY SHAFT	1	NO	FOR DI-20 GT NORTH SPL,DI-20 GT WITH ADDC,SOLIS-20 EXCEPT SOLIS 20 WITH TURF TYRE FROM DMGSU519912G	DMGSU519912G
4	ALL MODELS	20004276AA	EXTERNALCIRCLIP A-28	2		QTY DEC BY 1 WITH 10050754AF FROM	EMGSD297992G
4	ALL MODELS	20003766AA	EXTERNAL CIRCLIP A-26	1	NO	ADDED WITH 10050754AF FROM EMGSD297992G AND DELETED WITH 10050754BC FROM DMGSU519912G, MYJSF544055G	

Sr.	Model	Item Code	Description	Qty	Int.	Remarks	Cut Off
						22	
5	ALL MODELS	10050728AC	WASHER (PTO)	1		QTY DEC BY 1 WITH 10050754AF FROM	EMGSD297992G
5	ALL MODELS	10052666AA	WASHER (PTO LAY SHAFT)	1	NO	ADDED WITH 10050754AF FROM EMGSD297992 G AND DELETED WITH 10050754BC FROM DMGSU519912 G, MYJSF544055G 22	

07130A-1/1

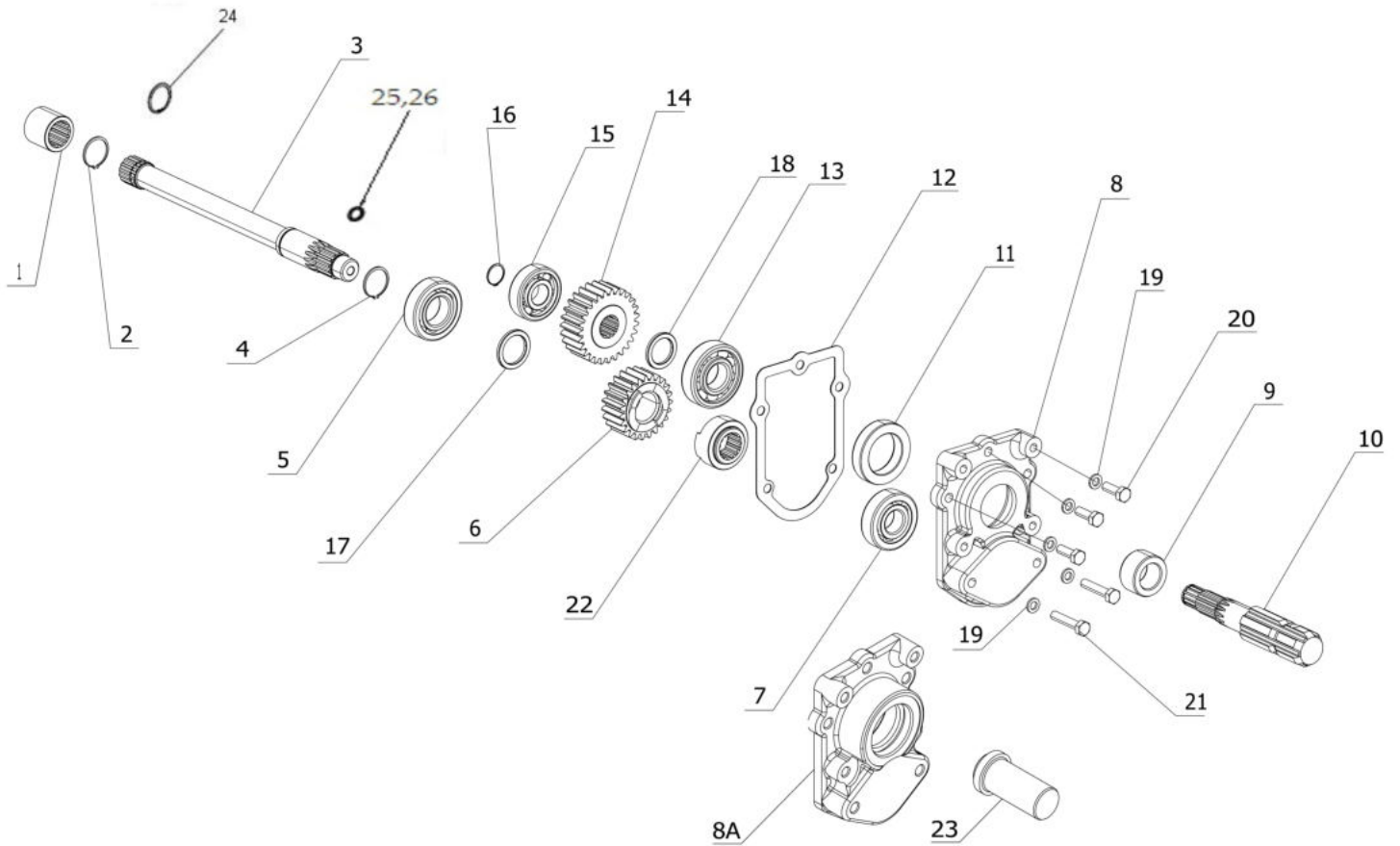
PTO LEVER ASSY.



Sr.	Model	Item Code	Description	Qty	Int.	Remarks	Cut Off
5	ALL MODELS	20005559AA	HEX HEAD SCREW M8X1.25X16 -8.8 SA4GS	2			
12	SOLIS-20 FACELIFT	300031855A	HEX HEAD SCREW M12X1.75X16	1			
2	ALL MODELS EXCEPT SOLIS-20 FACELIFT	10050753BA	PTO LEVER ASSY.	1	NO		KMGSU526884G
11	ALL MODELS	10020861AB	BALL 10 DIA GRADE 20 IS:2898	1	NO		KMGSU526884G
3	ALL MODELS EXCEPT SOLIS-20 FACELIFT	10050755AD	LOCKING PLATE	1	YES		CMGSV386128G
4	ALL MODELS	10050741AG	PIN ASSY. PTO	1			FMGSV346129G
8	ALL MODELS	20004142AB	O-RING Ø18 x Ø2.0	1	NO		FMGSV346129G
10	ALL MODELS	10053731AA	SPRING (FOR GT 20 4WD)	1	NO	INTERCHANGEABILITY IS NO WITH	AMGSE406480G KMKSU529195G

Sr.	Model	Item Code	Description	Qty	Int.	Remarks	Cut Off
						10050753BA FROM KMGSU526884 G	26D
3A	SOLIS-20(TRUF TYRE) EXCEPT FACELIFT	10053519AA	LOCKING PLATE GT-20	1			
1	ALL MODELS EXCEPT SOLIS-20 FACELIFT	10004846AB	KNOB (ROD ASSY / HANDLER PTO)	1		INTERCHANGE ABLE WITH 10004846AE (ROHS)	
2	ALL MODELS EXCEPT SOLIS-20 FACELIFT	10050753AD	PTO LEVER ASSY.	1			
3	ALL MODELS EXCEPT SOLIS-20 FACELIFT	10050755AC	LOCKING PLATE	1			
4	ALL MODELS	10050741AD	PIN ASSY. PTO	1			
5	ALL MODELS	20002059AA	HEX HEAD SCREW M8 x 1.25-16 8-8 SA2JS	2		INTERCHANGE ABLE WITH 20005559AA (ROHS)	
6	ALL MODELS	04030400008	SPRING WASHER B-8	2		INTERCHANGE ABLE WITH 20005517AA (ROHS)	
7	ALL MODELS	20003804AA	SPRING COTTER SLEEVE 5x22	1			
8	ALL MODELS	20004142AA	O-RING Ø17.6 x Ø2.3	1			
9	ALL MODELS	20003130AA	SPRING COTTER SLEEVE (SPRING PIN) DIA4*30	1			
10	ALL MODELS	10050707AA	SPRING	1		INTERCHANGE ABLE WITH 300028591A (ROHS)	
11	ALL MODELS	20004335AA	BALL DIA 8.731 GRADE 40 (IS:2898)	1			
2	ALL MODELS EXCEPT SOLIS-20 FACELIFT	10050753AE	PTO LEVER ASSY.	1	YES		AMGSV336906G
1	SOLIS-20 FACELIFT	300007872A	KNOB (ROD ASSY / HANDLER PTO)	1			
2A	SOLIS-20 FACELIFT	300009604B	PTO LEVER ASSY.	1			
3B	SOLIS-20 FACELIFT	10056160AD	LOCKING PLATE	1			
12	SOLIS-20 FACELIFT	10065128AA	SCREW M12*1.75*16	1		INTERCHANGE ABLE WITH 300031855A (ROHS)	
1	ALL MODELS EXCEPT SOLIS-20 FACELIFT	300007872A	KNOB (ROD ASSY / HANDLER PTO)	1	YES		
6	ALL MODELS	20005517AA	SPRING WASHER B-8 TYPE A IS: 3067-1972	2	YES		
10	ALL MODELS	300028591A	SPRING (FOR GT 20 4WD)	1	YES		
3B	SOLIS-20 EU FACELIFT (POWER STG.)	10050709AC	LOCKING PLATE	1			
4	SOLIS-20 EU FACELIFT (POWER STG.)	10056682AB	PIN ASSY. PTO	1			
8	SOLIS-20 EU FACELIFT (POWER STG.)	20004142AD	O-RING Ø18 x Ø2.0	1			

07140A-1/1

PTO INTERMEDIATE SHAFT,
GEARS & END COVER ASSY

Sr.	Model	Item Code	Description	Qty	Int.	Remarks	Cut Off
13	ALL MODELS	20005080AA	RADIAL B/BEARING 30/62*16 (6206NR)	1			
21	ALL MODELS	20005658AA	HEX, HEAD SCREW M8 X 1.25 - 50 SA2JS	2			
9	ALL MODELS	10051204AE	SLEEVE (PTO)	1			
10	ALL MODELS	10050690DA	PTO SHAFT	1	NO		MEMGMGSF554 111G
3	ALL MODELS	10050689BA	PTO INTERMEDIATE SHAFT	1	NO		MMGSE403515 G
4	ALL MODELS	20004583AA	EXTERNAL CIRCLIP 28 (IS:3075 P-I HEAVY	1	NO		MMGSE403515 G
24	ALL MODELS	20004274AA	INTERNAL CIRCLIP B-58 IS:3075	1		WITH 10050689BA FROM	MMGSE403515 G
14	ALL MODELS	10050739DA	PTO GEAR Z-26	1	NO		GMGSE417675

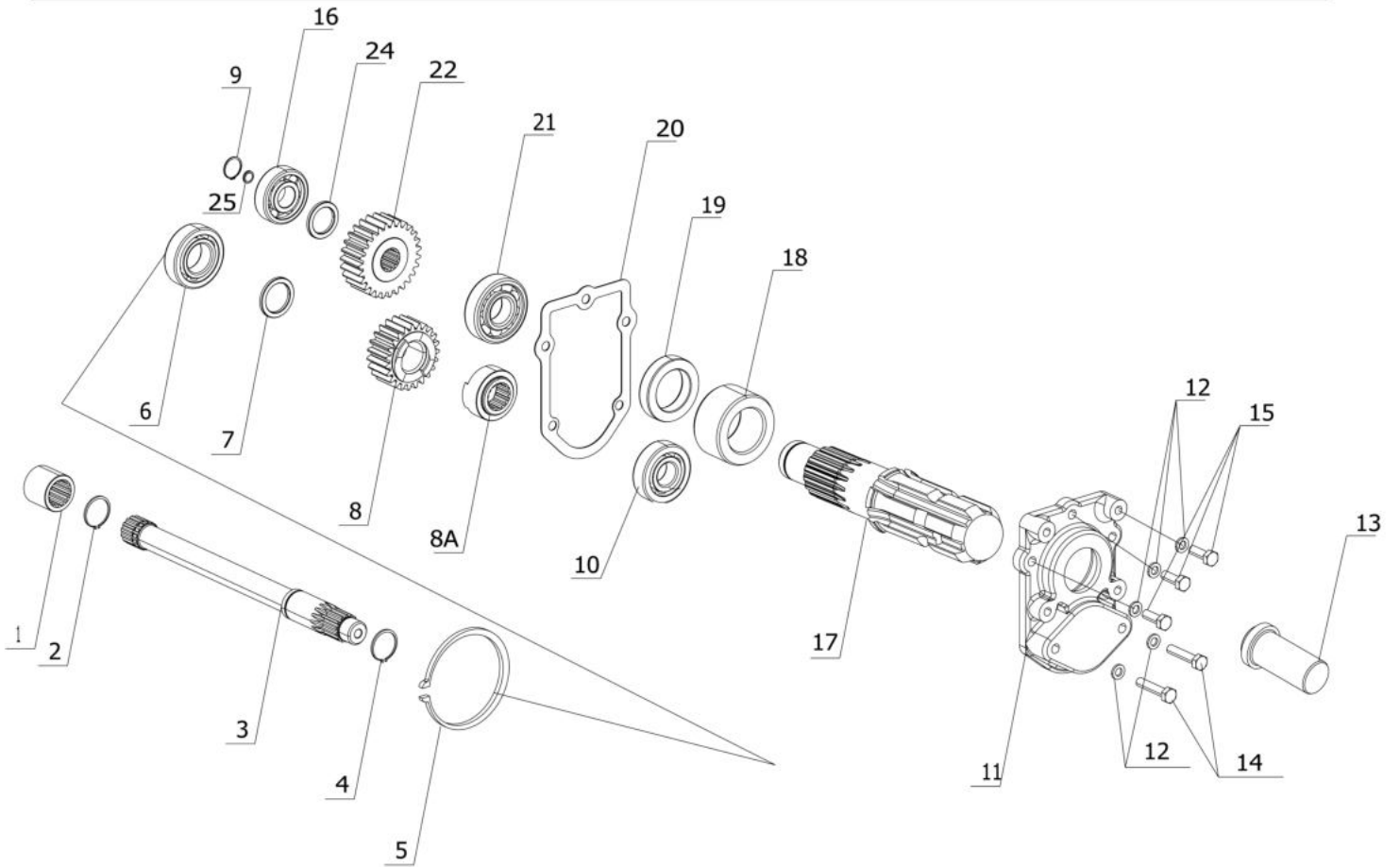
Sr.	Model	Item Code	Description	Qty	Int.	Remarks	Cut Off
							G
10	ALL MODELS	10050690BA	PTO SHAFT	1	NO	10051204AE, APN 10050739DA, 1005 10050690BA, 1204 04020200020,2 BA, 1005 0003477AA, 0739 20004152AA as EA, a set 1005 Interchangeable 0690 with DA, 10051204BA, 2000 10050739EA, 5217 10050690DA, AA, 20005217AA, 2000 20004951AA, 4951 04000430062 AA, 0400 0430 062 all QTY 1	GMGSE417675 G
10	ALL MODELS	10050690AD	PTO SHAFT	1	YES		DMGSD307477 G
14	ALL MODELS	10050739EB	PTO GEAR Z-26	1	NO		EMGSU504715G
15	ALL MODELS	20003477AA	BALL BEARING(6304)	1		INTERCHANGE ABLE WITH 20003477AB (ROHS)	
15	ALL MODELS	20004951AA	BALL BEARING 6304/22	1	NO	INTERCHANGE ABLE WITH 20004951AB (ROHS)	EMGSU504715G
16	ALL MODELS	04020200020	EXTERNAL CIRCLIP A-20	1			
16	ALL MODELS	04020200022	EXTERNAL CIRCLIP A-22	1	NO		EMGSU504715G
25	ALL MODELS	10055032AA	SHIM 0.2 (PTO OUT PUT SHAFT ASSY)	2		NEW PART ADDED WITH IMPLEMENTATI ON OF PTO GEAR Z-26 (10050739EB) FROM	EMGSU504715G
26	ALL MODELS	10055033AA	SHIM 0.3 (PTO OUT PUT SHAFT ASSY)	2		NEW PART ADDED WITH IMPLEMENTATI ON OF PTO GEAR Z-26 (10050739EB) FROM	EMGSU504715G
27	ALL MODELS	10055034AA	SPACER (PTO OUT PUT SHAFT AASY)	1		NEW PART ADDED WITH IMPLEMENTATI ON OF PTO GEAR Z-26 (10050739EB) FROM	EMGSU504715G
9	ALL MODELS	10051204BA	SLEEVE (PTO)	1	NO		EMGSU504715G

Sr.	Model	Item Code	Description	Qty	Int.	Remarks	Cut Off
10	ALL MODELS	10050690CB	PTO SHAFT	1	NO		EMGSU504715G
13	ALL MODELS	4000430062	RADIAL B/BEARING 30/62x16 (6206NR)	1	NO		EMGSU504715G
14	ALL MODELS	10050739EB	PTO GEAR Z-26	1	NO		EMGSU504715G
15	ALL MODELS	20004951AA	BALL BEARING 6304/22	1	NO	INTERCHANGE ABLE WITH 20004951AB (ROHS)	EMGSU504715G
16	ALL MODELS	20005217AA	CIRCLIP A-22*1.75*H	1	NO		MEMGMGSF554 111G
25	ALL MODELS	10055032AA	SHIM 0.2 (PTO OUT PUT SHAFT ASSY)	2		NEW PART ADDED WITH IMPLEMENTATI ON OF PTO GEAR Z-26 (10050739EB) FROM	EMGSU504715G
26	ALL MODELS	10055033AA	SHIM 0.3 (PTO OUT PUT SHAFT ASSY)	2		NEW PART ADDED WITH IMPLEMENTATI ON OF PTO GEAR Z-26 (10050739EB) FROM	EMGSU504715G
27	ALL MODELS	10055034AA	SPACER (PTO OUT PUT SHAFT AASY)	1		NEW PART ADDED WITH IMPLEMENTATI ON OF PTO GEAR Z-26 (10050739EB) FROM	EMGSU504715G
1	ALL MODELS	10050735AB	SLEEVE	1			
2	ALL MODELS	20003766AA	EXTERNAL CIRCLIP A-26	1			
3	ALL MODELS	10050689AD	PTO INTERMEDIATE SHAFT	1			
4	ALL MODELS	20004276AA	EXTERNAL CIRCLIP A-28	1			
5	ALL MODELS	20004123AA	BEARING 62/28	1		INTERCHANGE ABLE WITH 20004123AB (ROHS)	
6	ALL MODELS	10050737BC	PTO GEAR Z-23	1			
7	ALL MODELS	20004122AA	BALL BEARING (63/22)	1		INTERCHANGE ABLE WITH 20004122AB (ROHS)	
8	ALL MODELS	10050691AD	PTO END COVER	1			
9	ALL MODELS	10051204AB	SLEEVE (PTO)	1			
10	ALL MODELS	10050690AB	PTO SHAFT	1			
11	ALL MODELS	20004002AA	OIL SEAL (12M)40X60X18.5	1			
12	ALL MODELS	10051201AA	GASKET PTO END COVER	1		INTERCHANGE ABLE WITH 10054281AA (ROHS)	
13	ALL MODELS	20004152AA	BALL BEARING 6305(WITH SNAP RING)	1			

Sr.	Model	Item Code	Description	Qty	Int.	Remarks	Cut Off
14	ALL MODELS	10050739BA	PTO GEAR Z-27	1			
15	ALL MODELS	20003477AA	BALL BEARING(6304)	1		INTERCHANGEABLE WITH 20003477AB (ROHS)	
16	ALL MODELS	04020200020	EXTERNAL CIRCLIP A-20	1			
17	ALL MODELS	10050736AB	SPACER (PTO INTERMEDIATE SHAFT)	1			
18	ALL MODELS	10051278AB	SPACER (PTO)	1		DELETED WITH 10050739DA & 10050690BA FROM	GMGSE417675 G
19	ALL MODELS	04030400008	SPRING WASHER B-8	5		INTERCHANGEABLE WITH 20005517AA (ROHS)	
20	ALL MODELS	20001089AA	HEX SCREW M8x1.25-25	3		INTERCHANGEABLE WITH 20005564AA (ROHS)	
21	ALL MODELS	20003717AA	HEX SCREW M8x1.25-50	2		INTERCHANGEABLE WITH 20005658AA (ROHS)	
22	ALL MODELS	10050738AC	LOCKING HUB	1			
8A	ALL MODELS	10050691AE	PTO END COVER	1	YES		GMGSV340969 G
23	ALL MODELS	10008453AA	PTO SHAFT COVER	1		NEW PART ADDED FROM	GMGSV340969 G
6	ALL MODELS	10050737CA	PTO GEAR Z-24	1	NO		JMGSV362978G
14	ALL MODELS	10050739CA	PTO GEAR Z-26	1	NO		JMGSV362978G
5	ALL MODELS	20004123AB	BRG. 62/28	1	YES		
7	ALL MODELS	20004122AB	BALL BEARING 63/22	1	YES		
11	ALL MODELS	20004002AB	OIL SEAL (12M) 40X60X18.5	1	YES		
12	ALL MODELS	10054281AA	GASKET PTO END COVER	1	YES		
15	ALL MODELS	20003477AB	BEARING 6304	1	YES		
15	ALL MODELS	20003477AB	BEARING 6304	1	YES		
15	ALL MODELS	20004951AB	BALL BEARING 6304/22	1	YES		
15	ALL MODELS	20004951AB	BALL BEARING 6304/22	1	YES		
19	ALL MODELS	20005517AA	SPRING WASHER B-8 TYPE A IS: 3067-1972	5	YES		

07141A-1/1

PTO INTERMEDIATE SHAFT, GEARS & END COVER ASSY



Sr.	Model	Item Code	Description	Qty	Int.	Remarks	Cut Off
13	ALL MODELS	10008453AC	PTO SHAFT COVER	1			
14	ALL MODELS	20005658AA	HEX, HEAD SCREW M8 X 1.25 - 50 SA2JS	2			
9	ALL MODELS	20005217AA	CIRCLIP A-22*1.75*H	1	NO		MEMGMGSF554 111G
17	ALL MODELS	10050690CB	PTO SHAFT	1	NO		EMGSU504715G
17	ALL MODELS	10050690DA	PTO SHAFT	1	NO		MEMGMGSF554 111G
20	ALL MODELS	10051201AA	GASKET FOR PTO END COVER	1		INTERCHANGE ABLE WITH 10054281AA (ROHS)	
1	ALL MODELS	10050735AB	SLEEVE	1			

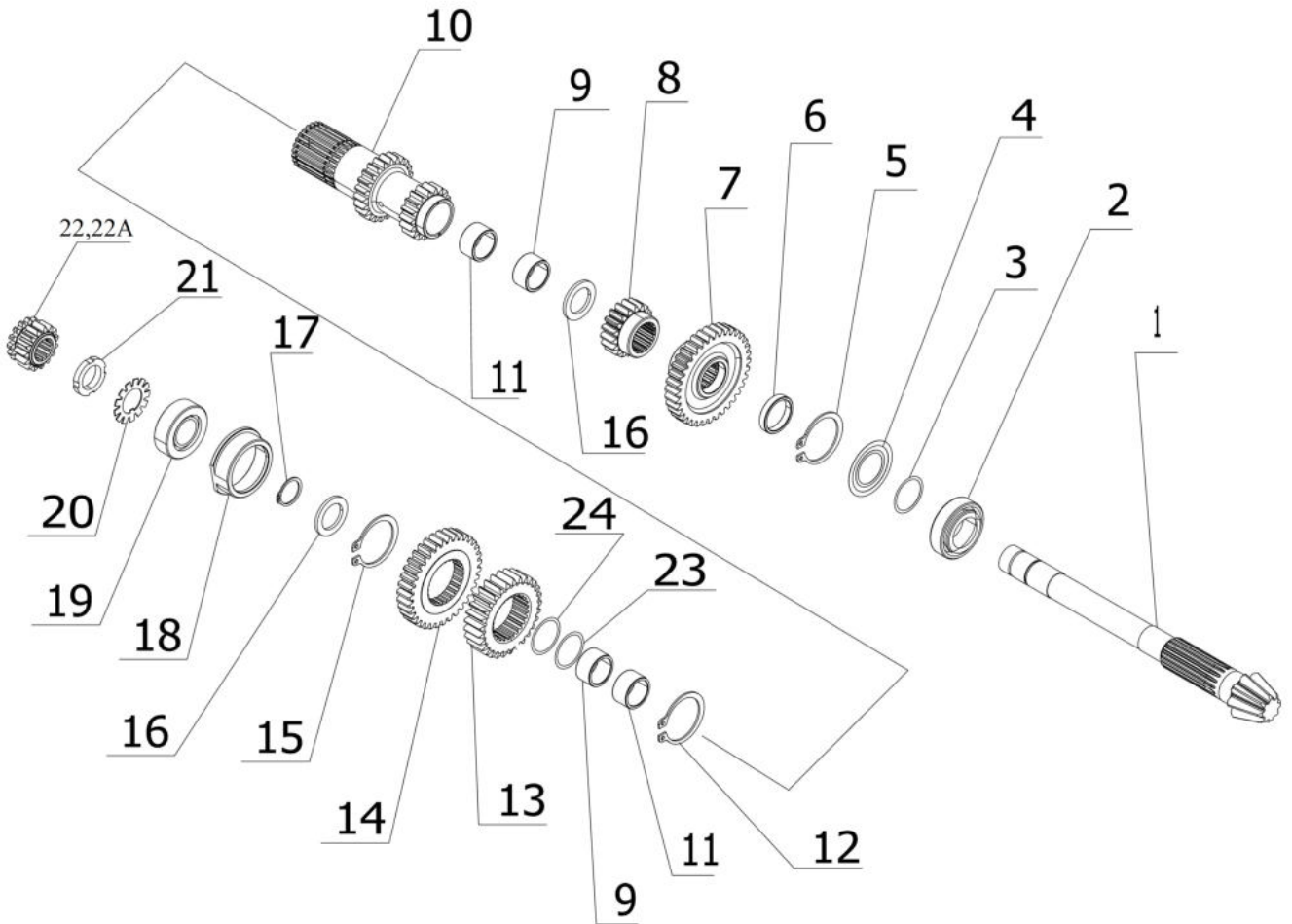
Sr.	Model	Item Code	Description	Qty	Int.	Remarks	Cut Off
2	ALL MODELS	20003766AA	EXT CIRCLIP A-26	1			
3	ALL MODELS	10050689AD	PTO INTERMEDIATE SHAFT	1	NO		MMGSE403515 G
3	ALL MODELS	10050689BA	PTO INTERMEDIATE SHAFT	1			
4	ALL MODELS	20004276AA	EXT CIRCLIP A-28	1			
5	ALL MODELS	20004274AA	INTERNAL CIRCLIP B-58	1			
6	ALL MODELS	20004123AA	BRG. 62/28	1		INTERCHANGE ABLE WITH 20004123AB (ROHS)	
7	ALL MODELS	10050736AB	SPACER (PTO INTERMEDIATE SHAFT)	1			
8	ALL MODELS	10050737BC	PTO GEAR Z-23	1			
8	ALL MODELS	10050737CA	PTO GEAR Z-24	1			
8A	ALL MODELS	10050738AC	LOCKING HUB	1			
9	ALL MODELS	04020200022	EXTERNAL CIRCLIP A-22 NORMAL DUTY	1			
10	ALL MODELS	20004122AA	BALL BRG (63/22)	1		INTERCHANGE ABLE WITH 20004122AB (ROHS)	
11	ALL MODELS	10050691AD	PTO END COVER	1			
11	ALL MODELS	10050691AE	PTO END COVER	1			
12	ALL MODELS	04030400008	SPRING WASHER B-8	5		INTERCHANGE ABLE WITH 20005517AA (ROHS)	
13	ALL MODELS	10008453AA	PTO SHAFT COVER	1		INTERCHANGE ABLE WITH 10008453AC (ROHS)	
14	ALL MODELS	20003717AA	HEX SCREW M8X1.25-50	2		INTERCHANGE ABLE WITH 20005658AA (ROHS)	
15	ALL MODELS	20001089AA	HEX SCREW M8X1.25-25	3		INTERCHANGE ABLE WITH 20005564AA (ROHS)	
16	ALL MODELS	20004951AA	BALL BEARING 6304/22	1		INTERCHANGE ABLE WITH 20004951AB (ROHS)	
17	ALL MODELS	10050690AB	PTO SHAFT	1			
17	ALL MODELS	10050690AD	PTO SHAFT	1	YES		DMGSD307477 G
17	ALL MODELS	10050690BA	PTO SHAFT	1	NO APN APN 1005 1204 BA, 1005 0739 EA,	10051204AE, 10050739DA, 10050690BA, 04020200020,2 0003477AA, 20004152AA as a set Interchangeable with	G GMGSE417675 G

Sr.	Model	Item Code	Description	Qty	Int.	Remarks	Cut Off
						1005 10051204BA, 0690 10050739EA, DA, 10050690DA, 2000 20005217AA, 5217 20004951AA, AA, 04000430062 2000 4951 AA, 0400 0430 062 all QTY 1	
18	ALL MODELS	10051204AB	SLEEVE (PTO)	1			
18	ALL MODELS	10051204AE	SLEEVE (PTO)	1			
19	ALL MODELS	20004002AA	OIL SEAL (12M) 40X60X18.5	1			
21	ALL MODELS	20004152AA	BALL BEARING 6206 NR	1			
22	ALL MODELS	10050739BA	PTO GEAR Z-27	1			
22	ALL MODELS	10050739CA	PTO GEAR Z-26	1	NO		JMGSV362978G
22	ALL MODELS	10050739DA	PTO GEAR Z-26	1	NO		GMGSE417675 G
24	ALL MODELS	10055034AA	SPACER (PTO OUT PUT SHAFT ASSY)	1			
25	ALL MODELS	10055032AA	SHIM 0.2 (PTO OUT PUT SHAFT ASSY)	AS REQUIR ED			
25	ALL MODELS	10055033AA	SHIM 0.3 (PTO OUT PUT SHAFT ASSY)	AS REQUIR ED			
6	ALL MODELS	20004123AB	BRG. 62/28	1	YES		
10	ALL MODELS	20004122AB	BALL BEARING 63/22	1	YES		
12	ALL MODELS	20005517AA	SPRING WASHER B-8 TYPE A IS: 3067-1972	5	YES		
16	ALL MODELS	20004951AB	BALL BEARING 6304/22	1	YES		
19	ALL MODELS	20004002AB	OIL SEAL (12M) 40X60X18.5	1	YES		
20	ALL MODELS	10054281AA	GASKET PTO END COVER	1	YES		
8	ALL MODELS	10050737CB	PTO GEAR Z-24	1	YES		MEMRMKSNSFL H10945
8	ALL MODELS	10056740AB	PTO GEAR Z-20 (FINISH)	1			
8	ALL MODELS	10056740AC	PTO GEAR Z-20 (FINISH)	1	YES		MEMRMKSNSFL H10945
8	ALL MODELS	10054237AA	PTO SLIDING GEAR (Z-21) (FINISH NO.)	1			
8	ALL MODELS	10054237AB	PTO SLIDING GEAR (Z-21) (FINISH NO.)	1	YES		MEMRMKSNSFL H10945
15	SOLIS-20 EU FACELIFT (POWER STG.)	20005564AA	HEX HEAD SCREW M8X1.25-25 -8.8 SA4GS	3			
18	SOLIS-20 EU FACELIFT (POWER STG.)	10051204BA	SLEEVE (PTO)	1			
21	SOLIS-20 EU FACELIFT (POWER STG.)	20004346AA	BALL BEARING 6205NR (WITH SNAP RING)	1			

Sr.	Model	Item Code	Description	Qty	Int.	Remarks	Cut Off
22	SOLIS-20 EU FACELIFT (POWER STG.)	10057196AA	PTO GEAR Z-23	1			

07150A-1/1

TAIL PINION SHAFT ASSY



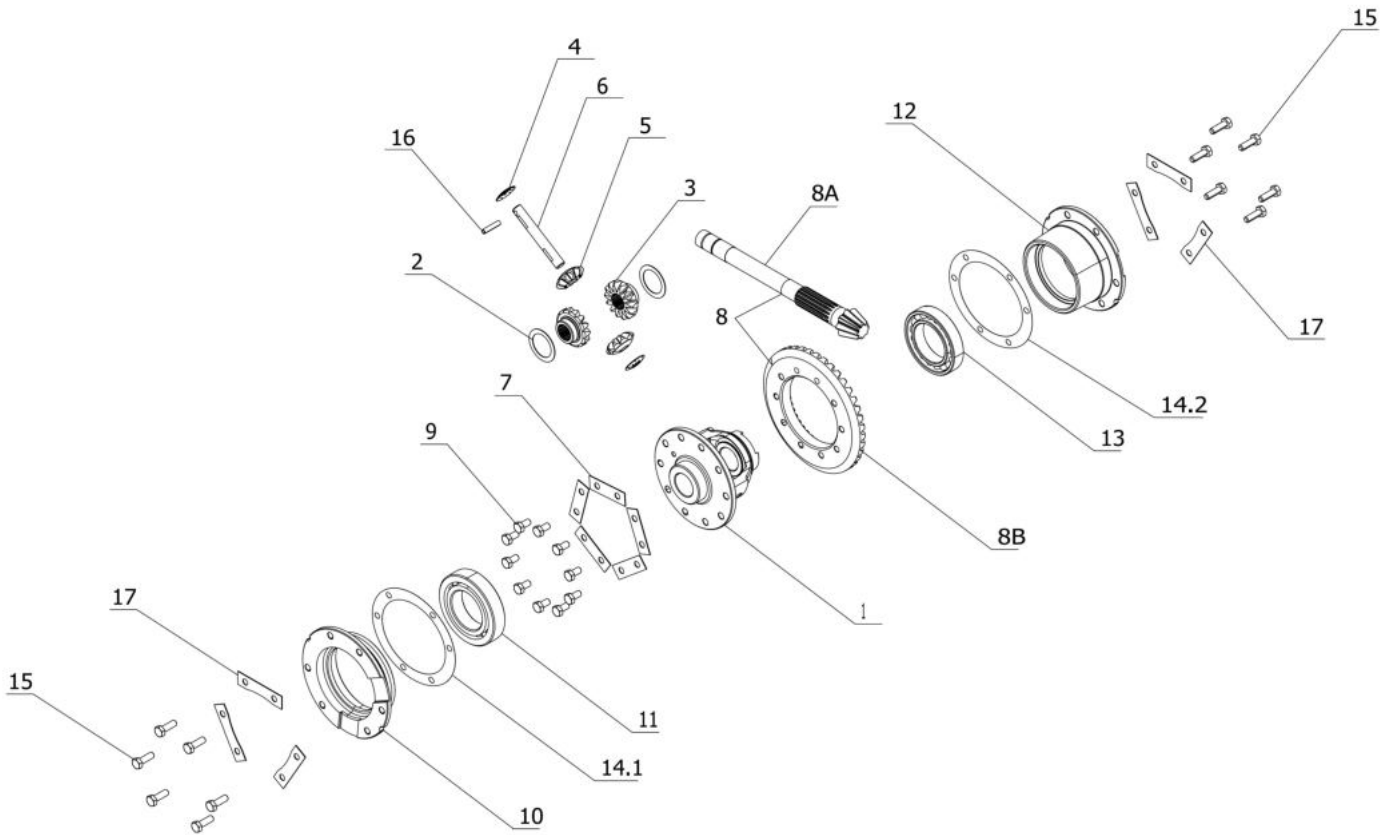
Sr.	Model	Item Code	Description	Qty	Int.	Remarks	Cut Off
9	ALL MODELS	20004145AB	NEEDLE CAGE BEARING (31X25X17)	2			
11	ALL MODELS	20004145AB	NEEDLE CAGE BEARING (31X25X17)	2			
13	ALL MODELS	10050726AE	FIXED GEAR Z-29 (3RD)	1	YES		DMGSE451629G
10	ALL MODELS	10050730BB	LAY SHAFT	1	NO		JYJSF578100G2 2
14	SOLIS-20 (TRUF TYRE)	10053233AA	C.M. GEAR Z-32	1			
12	ALL MODELS	20003926AA	EXTERNAL CIRCLIP A-45 (HEAVY DUTY)	1	NO		JMGSF578985G
15	ALL MODELS	20003926AA	EXTERNAL CIRCLIP A-45 (HEAVY DUTY)	1	NO		JMGSF578985G
14	ALL MODELS	10050725CA	C.M. GEAR Z-36	1	NO		KMGSD311279G
18	ALL MODELS	10050775AC	RING	1	YES		KMGSD311279G

Sr.	Model	Item Code	Description	Qty	Int.	Remarks	Cut Off
1	ALL MODELS	10050768AE	TAIL PINION SHAFT	1			
13	SOLIS-20 (TRUF TYRE)	10053477AC	FIXED GEAR THIRD Z-32	1			
14	ALL MODELS	10050725EA	C.M. GEAR Z-33	1	NO		JMGSF578985G
1	ALL MODELS	10050768AD	TAIL PINION SHAFT	1			
2	ALL MODELS	20004121AA	TR BEARING 32006	1		INTERCHANGE ABLE WITH 20004121AB (ROHS)	
3 (i)	ALL MODELS	10050793AA	SHIM SMALL (T.P. SHAFT) AT ID	5			
3(ii)	ALL MODELS	10051281AA	SHIM SMALL (T.P. SHAFT)	5			
3(iii)	ALL MODELS	10051150AA	SHIM SMALL (T.P. SHAFT)	5			
4 (i)	ALL MODELS	10050799AA	SHIM BIG (T.P. SHAFT) AT OD	1			
4(ii)	ALL MODELS	10051280AA	SHIM BIG (T.P. SHAFT)	1			
4(iii)	ALL MODELS	10051155AA	SHIM BIG (T.P. SHAFT)	1			
5	ALL MODELS	20004114AA	INTERNAL CIRCLIP B-55	1			
6	ALL MODELS	10050789AB	SPACER (T.P. SHAFT)	1			
7	ALL MODELS	10050784AB	FIXED GEAR LOW Z-36	1			
8	ALL MODELS	10050779AB	FIXED GEAR Z-18 (HI GEAR)	1			
9	ALL MODELS	20004145AA	NEEDLE CAGE BEARING (31X25X17)	2		INTERCHANGE ABLE WITH 20004145AB (ROHS)	
10	ALL MODELS	10050730AC	LAY SHAFT	1			
11	ALL MODELS	20004145AA	NEEDLE CAGE BEARING (31X25X17)	2		INTERCHANGE ABLE WITH 20004145AB (ROHS)	
12	ALL MODELS	04020200045	EXTERNAL CIRCLIP A-45	1			
13	ALL MODELS	10050726AC	FIXED GEAR Z-29 (3RD)	1			
14	ALL MODELS	10050725BB	C.M. Gear Z-35	1			
15	ALL MODELS	04020200045	EXTERNAL CIRCLIP A-45	1			
16	ALL MODELS	10050776AC	WASHER (T.P SHAFT) (S44/51)	2			
17	ALL MODELS	20004324AA	EXTERNAL CIRCLIP A-25 (HEAVY DUTY)	1			
18	ALL MODELS	10050775AA	RING	1			
19	ALL MODELS	20004120AA	TR BEARING (32205)	1		INTERCHANGE ABLE WITH 20004120AB (ROHS)	
20	ALL MODELS	10050774AC	LOCKING WASHER	1			
21	ALL MODELS	10050773AB	WITHDRAWL NUT	1			
22	ALL MODELS	10050724AB	SLIDING GEAR-15 (4WD)	1			

Sr.	Model	Item Code	Description	Qty	Int.	Remarks	Cut Off
23	ALL MODELS	10051148AA	SHIM 0.2 MM FOR LAY SHAFT	1			
24	ALL MODELS	10051284AA	SHIM 0.3 MM FOR LAY SHAFT	1			
14	ALL MODELS	10050725DA	C.M. GEAR Z-33	1	NO		GMGSV343584 G
22A	SOLIS-20	10054115AA	SLIDING GEAR 4WD Z14	1	YES AS A SET	10050724AB, 10050684AC BOTH INTERCHANGE AS A SET WITH 10054115AA, 10056466AA FOR BOM 2011A5475JDAJ UDE, 2011A5500JDAJ UDE, 2011A5713JDAJ UDE, 2011A5724JDAJ UD	MEMRMKSNSC JH03419
2	ALL MODELS	20004121AB	TR BEARING 32006	1	YES		
19	ALL MODELS	20004120AB	TR BEARING (32205)	1	YES		
1	SOLIS-20 EU FACELIFT (POWER STG.)	10050768AF	TAIL PINION SHAFT	1			
13	SOLIS-20 EU FACELIFT (POWER STG.)	10057089AA	FIXED GEAR 3RD Z-27 (FINISH)	1			
14	SOLIS-20 EU FACELIFT (POWER STG.)	10053233BA	C.M. GEAR Z-32	1			

07160A-1/1

DIFFERENTIAL CAGE & CROWN WHEEL ASSY



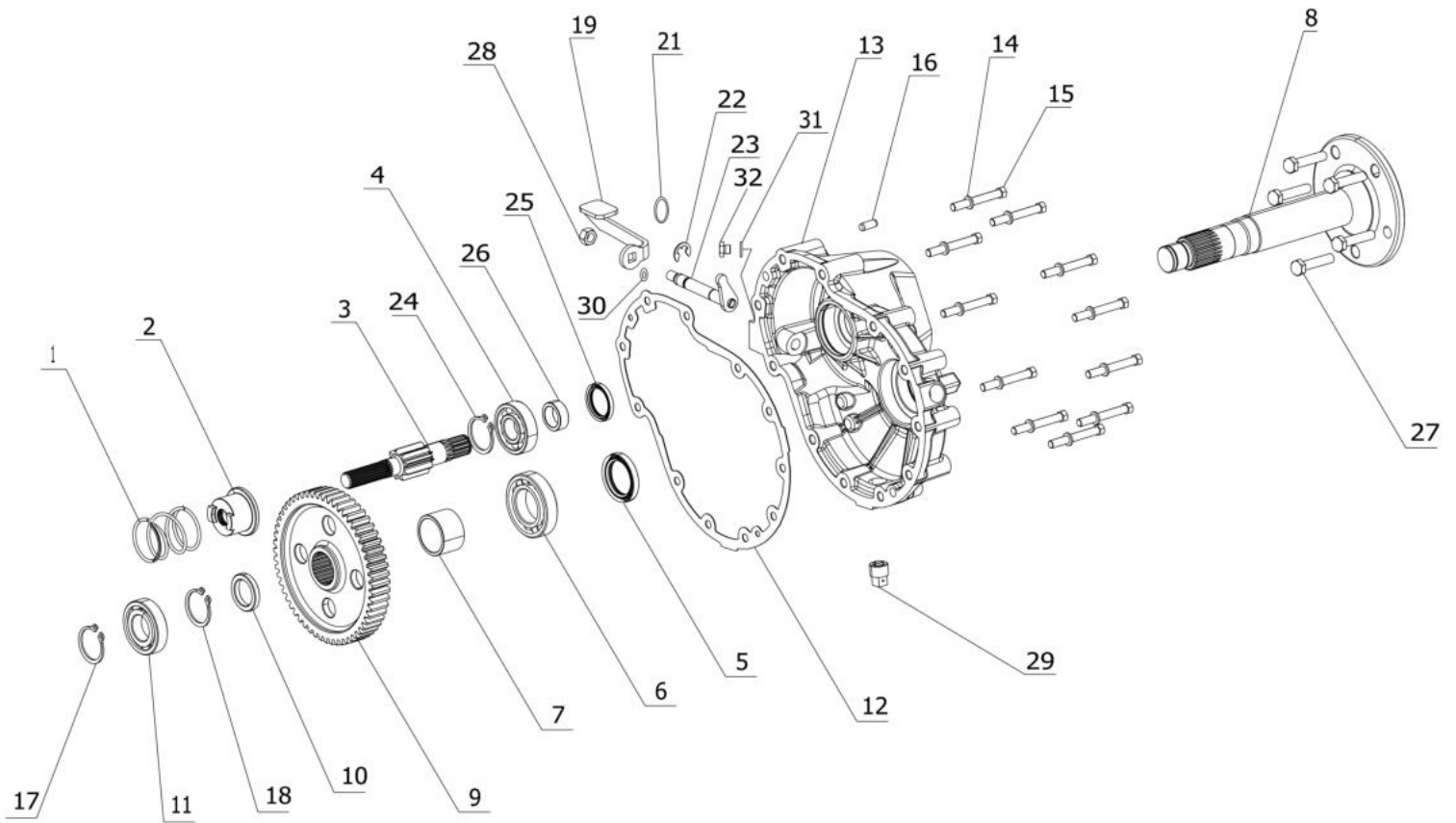
Sr.	Model	Item Code	Description	Qty	Int.	Remarks	Cut Off
9	ALL MODELS	20005559AA	HEX HEAD SCREW M8X1.25X16 -8.8 SA4GS	10			
1	ALL MODELS	10050813AF	DIFF. CAGE	1	YES		BMGSU329870G
8	ALL MODELS	10051362AG	CROWN WHEEL & TAIL PINION SET (8X41)	1	YES		BYJST608765G2 2
8A	ALL MODELS	10050768AE	TAIL PINON SHAFT	1		CHILD PART OF ASSY OF 10051362AF, S. NO 8 , APN 10051362AG	
8B	ALL MODELS	10030240AD	GEAR RING	1		CHILD PART OF ASSY OF 10051362AF, S. NO 8 , APN 10051362AG	

Sr.	Model	Item Code	Description	Qty	Int.	Remarks	Cut Off
4	ALL MODELS	10030008AD	DIFFERENTIAL PINION LINER	2	YES		DMGSD306261 G
1	ALL MODELS	10050813AD	DIFF. CAGE	1			
2	ALL MODELS	10030009AC	DIFFERENTIAL SIDE GEAR LINER	2			
3	ALL MODELS	10030005AF	DIFFERENTIAL SIDE GEAR (14T)	2			
4	ALL MODELS	10030008AC	DIFFERENTIAL PINION LINER	2			
5	ALL MODELS	10030006AE	DIFFERENTIAL PINION GEAR (10T)	2			
6	ALL MODELS	10050833AB	PINION SHAFT	1			
7	ALL MODELS	10050821AA	LOCKING WASHER(CROWN WHEEL)	5			
8	ALL MODELS	10051362AF	CROWN WHEEL & TAIL PINION SET (8X41)	1			
9	ALL MODELS	20002059AA	HEX SCREW M8X1.25X16	10		INTERCHANGE ABLE WITH 20005559AA (ROHS)	
10	ALL MODELS	10050840AD	CAGE CARRIER LEFT	1			
11	ALL MODELS	04000155100	BALL BEARING 6211	1		INTERCHANGE ABLE WITH 20005053AA (ROHS)	
12	ALL MODELS	10050843AC	CAGE CARRIER RIGHT	1			
13	ALL MODELS	20004124AA	BALL BEARING 6011	1			
14.1	ALL MODELS	10050848AB	SHIM 0.15	1		FOR CAGE CARRIER LEFT SIDE	
14.1	ALL MODELS	10050849AB	SHIM 0.20	1		FOR CAGE CARRIER LEFT SIDE	
14.1	ALL MODELS	10050850AB	SHIM 0.40	1		FOR CAGE CARRIER LEFT SIDE	
14.1	ALL MODELS	10050851AB	SHIM 0.50	1		FOR CAGE CARRIER LEFT SIDE	
15	ALL MODELS	20001089AA	HEX SCREW M8X1.25X25	12		INTERCHANGE ABLE WITH 20005564AA (ROHS)	
16	ALL MODELS	20004150AA	SPRING COTTER SLEEVE (DIA 6X28)	1			
17	ALL MODELS	10050852AA	LOCKING WASHER	6			
14.2(i)	ALL MODELS	10051927AA	SHIM 0.15	1		FOR CAGE CARRIER RIGHT SIDE	
14.2	ALL MODELS	10051928AA	SHIM 0.20	1		FOR CAGE CARRIER RIGHT SIDE	
14.2	ALL MODELS	10051929AA	SHIM 0.50	1		FOR CAGE CARRIER RIGHT SIDE	
3	ALL MODELS	10030005AG	DIFFERENTIAL SIDE GEAR (14T)	2	YES		MMGSV331929 G
5	ALL MODELS	10030006AF	DIFFERENTIAL PINION GEAR (10T)	2	YES		MMGSV331929 G

Sr.	Model	Item Code	Description	Qty	Int.	Remarks	Cut Off
11	ALL MODELS	20005053AA	BALL BEARING 6211	1	YES		
13	ALL MODELS	20004124AB	BALL BEARING (6011)	1	YES		
15	SOLIS-20 EU FACELIFT (POWER STG.)	20005564AA	HEX HEAD SCREW M8X1.25-25 -8.8 SA4GS	12			

08110A-1/1

BP SHAFT, BULL GEAR & REAR AXLE ASSY.



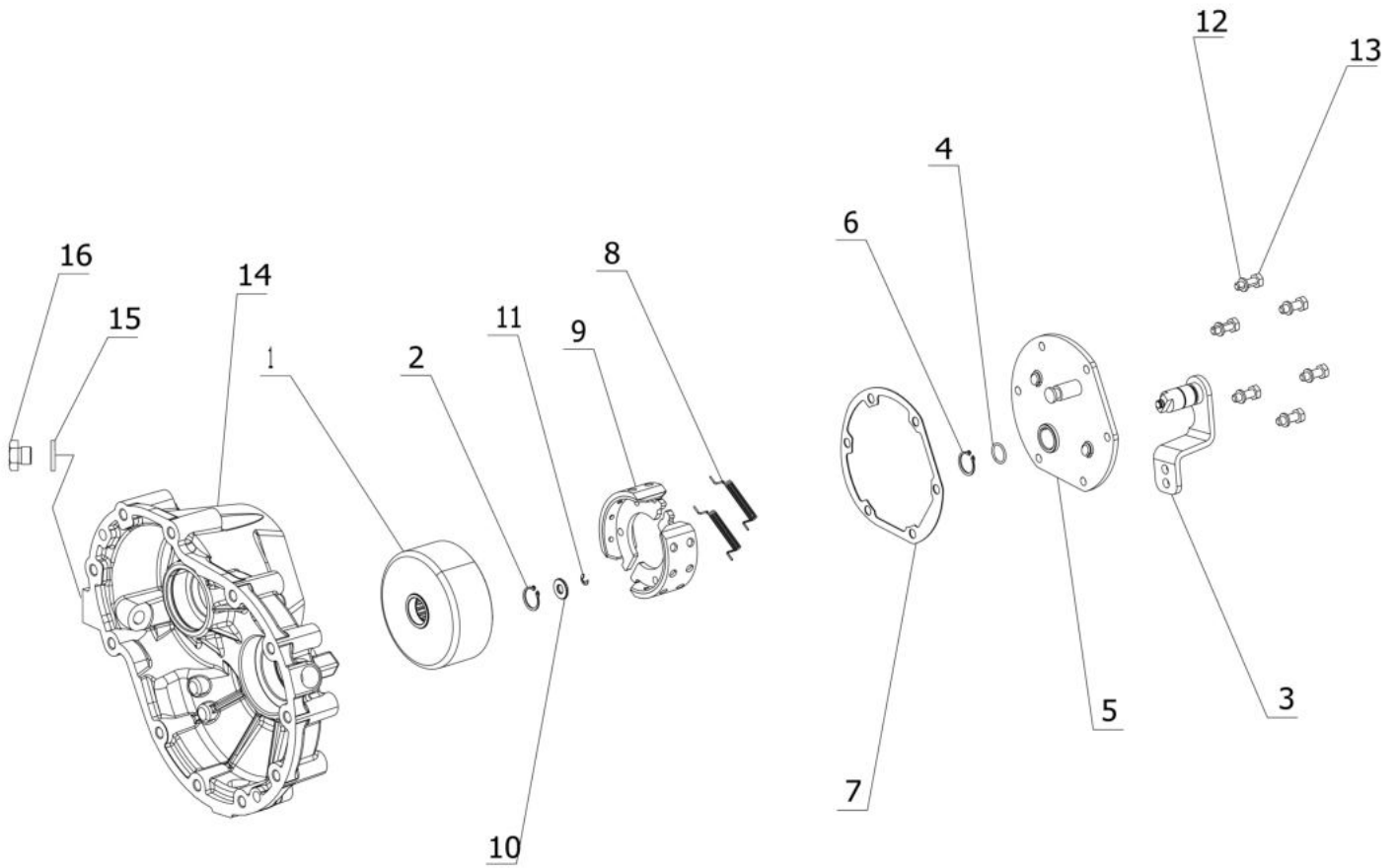
Sr.	Model	Item Code	Description	Qty	Int.	Remarks	Cut Off
11	ALL MODELS	20005054AA	BALL BEARING 6207	2			
21	ALL MODELS	20004141AC	O-RING Ø10.6 X Ø2.3	1			
28	ALL MODELS	20005502AA	HEX NUT M12X1.75 -8 SA4GS	1			
28	ALL MODELS	20003358AE	HEX NUT M12X1.75 -8 SA4GS	1	YES	INTERCHANGE WITH 20003358AA	FOR NON EU MODELS- DXKSS873355B FOR EU MODELS- MEMRMKSNSD KH07283
8	SOLIS 20 (FRANCE, SPAIN)	10056240AB	REAR AXLE	2	YES		JMKST668330G 26D
8	ALL MODELS EXCEPT SOLIS 20 (FRANCE, SPAIN)	10050717AC	REAR AXLE	2			

Sr.	Model	Item Code	Description	Qty	Int.	Remarks	Cut Off
8	ALL MODELS EXCEPT SOLIS 20 (FRANCE, SPAIN)	10050717AD	REAR AXLE	2	YES		EYJST660520G2 2
8	SOLIS 20 (FRANCE, SPAIN)	10056240AA	REAR AXLE	2	NO		JMKSF578889G 26
29	ALL MODELS	10024016AC	DRAIN PLUG	2	YES	INTERCHANGE ABLE WITH 10024016AD (ROHS)	FMGSE422199G
13	ALL MODELS	10051234AD	BRAKE HSG. RIGHT	1	YES	WITH S.NO 31 32	AMGSV335618G
22	ALL MODELS	04020400012	CIRCLIP C-12	1			
1	ALL MODELS	10050749AA	SPRING DIFF. LOCK	1		INTERCHANGE ABLE WITH 10050749AB (ROHS)	
2	ALL MODELS	10050734AB	SLEEVE DIFF. LOCK	1			
3	ALL MODELS	10050853AF	B.P. SHAFT RIGHT	1			
3	ALL MODELS	10050853AG	B.P. SHAFT RIGHT	1	YES		HMGSC353051 G
6	ALL MODELS	04000145085	BALL BEARING(6209)	2		INTERCHANGE ABLE WITH 20005055AA (ROHS)	
7	ALL MODELS	10050718AB	SPACER BIG (REAR AXLE)	2			
8	ALL MODELS	10050717AC	REAR AXLE	2			
9	ALL MODELS	10050719AD	BULL GEAR	2			
10	ALL MODELS	10051060AB	SPACER SMALL (REAR AXLE)	2			
11	ALL MODELS	04000135072	BALL BEARING (6207)	2		INTERCHANGE ABLE WITH 20005054AA (ROHS)	
12	ALL MODELS	10051199AA	GASKET FOR BRAKE HSG.	2			
12	ALL MODELS	10051199AB	GASKET FOR BRAKE HSG.	2	YES		EMGSD297105G
13	ALL MODELS	10051234AC	BRAKE HSG. RIGHT	1			
13	ALL MODELS	10051235AB	BRAKE HSG. LEFT	1			
13	ALL MODELS	10051235AD	BRAKE HSG. LEFT	1	YES	WITH S.NO 31 32	AMGSV335618G
16	ALL MODELS	10051264AB	DOWEL PIN(8X15)	4			
17	ALL MODELS	04020200035	EXTERNAL CIRCLIP A-35	2			
18	ALL MODELS	04020200035	EXTERNAL CIRCLIP A-35	2			
19	ALL MODELS	10051229AB	DIFF. LOCK PEDAL ASSY.	1			
19	ALL MODELS	10051229AC	DIFF. LOCK PEDAL ASSY.	1	YES		
21	ALL MODELS	20004141AA	O-RING Ø10.6 x Ø2.3	1		INTERCHANGE ABLE WITH 20004141AC (ROHS)	
23	ALL MODELS	10050750AC	LUG DIFF. LOCK ASSY.	1			

Sr.	Model	Item Code	Description	Qty	Int.	Remarks	Cut Off
24	ALL MODELS	20004275AA	INTERNAL CIRCLIP B-68	2			
25	ALL MODELS	20004157AB	OIL SEAL 4D 050038	2			
26	ALL MODELS	10051232AB	SLEEVE(B.P. SHAFT)	2			
26	ALL MODELS	10051232AE	SLEEVE(B.P. SHAFT)	2			
27	ALL MODELS	10004041AA	WHEEL BOLT REAR	10		INTERCHANGE ABLE WITH 20005630AA (ROHS)	
28	ALL MODELS	20003358AA	HEX.. NUT M12	1		INTERCHANGE ABLE WITH 20005502AA (ROHS)	
29	ALL MODELS	10024016AB	DRAIN PLUG	2		INTERCHANGE ABLE WITH 10024016AD (ROHS)	
30	ALL MODELS	10051239AB	WASHER (DIFF. LOCK)	1			
31	WITH 10051235AD	04030216020	SEALING WASHER DIA 16.2* DIA 20 * 1.5	1		WITH 10051234AD, WITH 10051235AD	AMGSV335618G
14	ALL MODELS	04030400010	SPRING WASHER B-10	22			
15	ALL MODELS	20004139AA	HEX HEAD BOLT M10X1.5X75	22			
32	WITH 10051235AD	10000257AB	SEALING PLUG M16*1.5	1		WITH 10051234AD, WITH 10051235AD	AMGSV335618G
3	ALL MODELS	10050858AF	B.P. SHAFT LEFT	1			
3	ALL MODELS	10050858AG	B.P. SHAFT LEFT	1	YES		HMGSC353051 G
4	ALL MODELS	20004125AA	BALL BEARING 63 28	2		INTERCHANGE ABLE WITH 20004125AB (ROHS)	
5	ALL MODELS	20003306AB	OIL SEAL 4D 065048	2			
1	ALL MODELS	10050749AB	SPRING DIFF LOCK	1	YES		
4	ALL MODELS	20004125AB	BALL BEARING 63/28	2	YES		
5	ALL MODELS	20003306AC	OIL SEAL (F4D 48X65X10)	2	YES		
6	ALL MODELS	20005055AA	BALL BEARING 6209	2	YES		
27	ALL MODELS	20005630AA	WHEEL BOLT FRONT	10	YES		
29	ALL MODELS	10024016AD	DRAIN PLUG ASSEMBLY.	2	YES		
13	SOLIS-20 EU FACELIFT (POWER STG.)	10051234AE	BRAKE HUSING RIGHT	1			
13	SOLIS-20 EU FACELIFT (POWER STG.)	10051235AE	BRAKE HSG. LEFT	1			

09110A-1/1

BRAKE ASSY



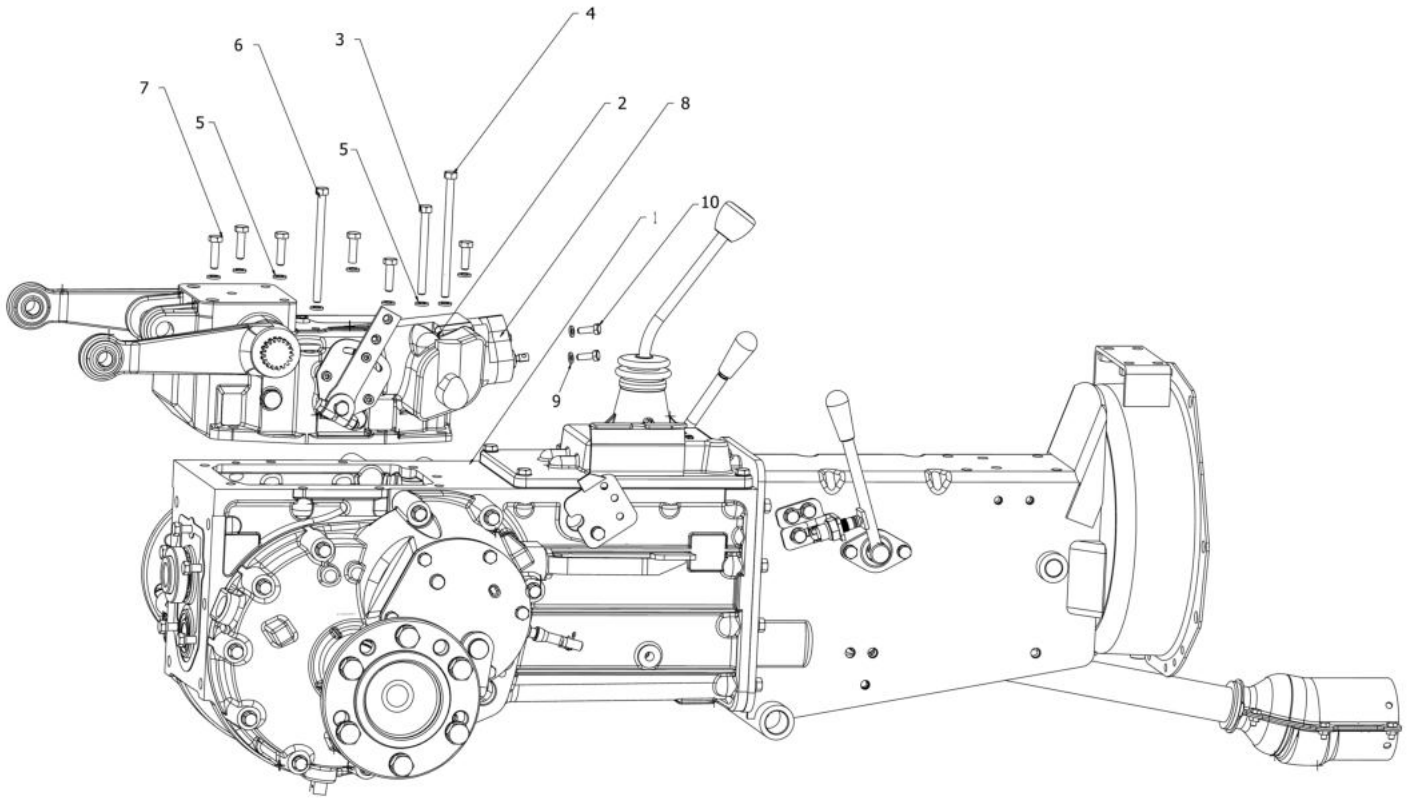
Sr.	Model	Item Code	Description	Qty	Int.	Remarks	Cut Off
9	ALL MODELS	10050748AD	BRAKE SHOE ASSY	4			
8	ALL MODELS	10050747AC	SPRING BRAKE SHOE	4			
5	ALL MODELS	10051167AE	BRAKE COVER ASSY (LEFT)	1	YES		
5	ALL MODELS	10051167AG	BRAKE COVER ASSY (LEFT)	1	YES		DMGSV369584G
3	ALL MODELS	10050744AG	BRAKE ACTUATING LUG(LEFT)	1	YES		EMGSU504715G
3	ALL MODELS	10050767AB	BRAKE ACTUATING LUG(RIGHT)	1			
15	WITH 10051235AD	04030216020	SEALING WASHER DIA 16.2* DIA 20 * 1.5	1		WITH 10051234AD WITH 10051235AD	AMGSV335618G

Sr.	Model	Item Code	Description	Qty	Int.	Remarks	Cut Off
16	WITH 10051235AD	10000257AB	SEALING PLUG M16*1.5	1		WITH 10051234AD WITH 10051235AD	AMGSV335618G
5	ALL MODELS	10051166AG	BRAKE COVER ASSY (RIGHT)	1	YES		DMGSV369584G
5	ALL MODELS	10051167AD	BRAKE COVER ASSY (LEFT)	1			
3	ALL MODELS	10050767AC	BRAKE ACTUATING LUG(RIGHT)	1	YES		DMGSV369584G
3	ALL MODELS	10050767AF	BRAKE ACTUATING LUG(RIGHT)	1	YES		GMGSU488304 G
3	ALL MODELS	10050767AF	BRAKE ACTUATING LUG(RIGHT)	1	YES		GMGSU488304 G
3	ALL MODELS	10050767AG	BRAKE ACTUATING LUG(RIGHT)	1	YES		EMGSU504715G
3	ALL MODELS	10050767AG	BRAKE ACTUATING LUG(RIGHT)	1	YES		EMGSU504715G
1	ALL MODELS	10050733AA	BRAKE DRUM	2			
2	ALL MODELS	20003766AA	EXTERNAL CIRCLIP A-26	2			
3	ALL MODELS	10050744AC	BRAKE ACTUATING LUG(LEFT)	1	YES		DMGSV369584G
3	ALL MODELS	10050744AF	BRAKE ACTUATING LUG(LEFT)	1	YES		GMGSU488304 G
4	ALL MODELS	20004142AA	O-RING Ø17.6 x Ø2.3	4			
4	ALL MODELS	20004142AB	O-RING Ø18 x Ø2.0	4	NO		FMGSV346129G
5	ALL MODELS	10051166AD	BRAKE COVER ASSY (RIGHT)	1			
5	ALL MODELS	10051166AE	BRAKE COVER ASSY (RIGHT)	1	YES		
6	ALL MODELS	04020200022	EXTERNAL CIRCLIPA-22	2			
7	ALL MODELS	10051238AA	GASKET(BRAKE COVER)	2			
8	ALL MODELS	10050747AD	SPRING BRAKE SHOE	4	YES		MMGSV333460 G
9	ALL MODELS	10050748AC	BRAKE SHOE ASSY.	4		INTERCHANGE ABLE WITH 10050748AD (ROHS)	
9	ALL MODELS	10050748AD	BRAKE SHOE ASSY.	4	YES		LMGSV389281G
10	ALL MODELS	10050732AC	WASHER (BRAKE ACTUATING LUG)	2			
11	ALL MODELS	20003790AA	EXTERNAL CIRCLIP E-8	2			
12	ALL MODELS	04030400008	SPRING WASHER B-8	12		INTERCHANGE ABLE WITH 20005517AA (ROHS)	
13	ALL MODELS	20001089AA	HEX SCREW M8X1.25X25	12		INTERCHANGE ABLE WITH 20005564AA (ROHS)	
14	ALL MODELS	10051234AC	BRAKE HSG. RIGHT	1			
14	ALL MODELS	10051234AD	BRAKE HSG. RIGHT	1	YES	WITH S.NO 15 & 16	AMGSV335618G
14	ALL MODELS	10051235AB	BRAKE HSG. LEFT	1			

Sr.	Model	Item Code	Description	Qty	Int.	Remarks	Cut Off
14	ALL MODELS	10051235AD	BRAKE HSG. LEFT	1	YES	WITH S.NO 15 & 16	AMGSV335618G
12	ALL MODELS	20005517AA	SPRING WASHER B-8 TYPE A IS: 3067-1972	12	YES		
4	SOLIS-20 EU FACELIFT (POWER STG.)	20004142AD	O-RING Ø18 x Ø2.0	4			
13	SOLIS-20 EU FACELIFT (POWER STG.)	20005564AA	HEX HEAD SCREW M8X1.25-25 -8.8 SA4GS	12			
14	SOLIS-20 EU FACELIFT (POWER STG.)	10051234AE	BRAKE HSG. RIGHT	1			
14	SOLIS-20 EU FACELIFT (POWER STG.)	10051235AE	BRAKE HSG. LEFT	1			

10110A-1/1

REAR COVER ASSY.



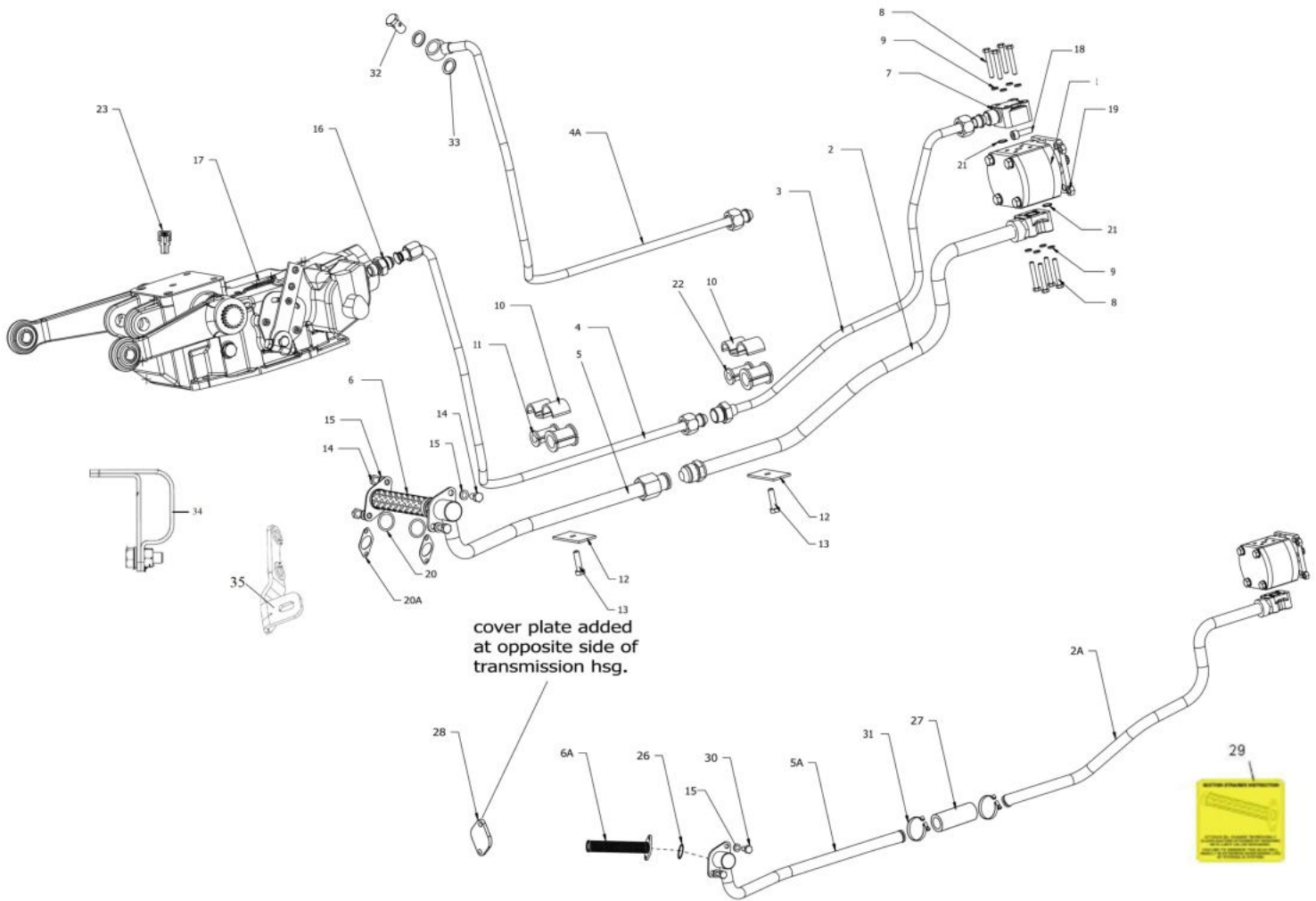
Sr.	Model	Item Code	Description	Qty	Int.	Remarks	Cut Off
4	ALL MODELS	20005594AA	HEX HEAD BOLT M10X130_8.8 SA4GS	1			
2	DI-20 GT WITH MITA LIFT WITHOUT TIPPING TRAILER,SOLIS 20 WITH MITA LIFT WITHOUT TIPPING TRAILER	10051219BB	MITA HYDRAULICS 500KG	1	YES		MEMRMKSNSB LH09295
2	ALL MODELS	10051219AC	MITA HYDRAULIC 500KG(REAR COVER)	1	YES		KMGSV375952G
1	ALL MODELS	10051135AH	TRANSMISSION HOUSING	1	YES		BMGSE390954G
1	ALL MODELS	10051135AK	TRANSMISSION HOUSING	1	YES		MMGSE403515 G
12	DI-20 GT WITH ADDC FEATURE	10051499CB	CYLINDER COVER	1			
12	DI-20 GT WITH ADDC FEATURE	10051499CC	CYLINDER COVER	1	YES		BMGST608050G

Sr.	Model	Item Code	Description	Qty	Int.	Remarks	Cut Off
1	ALL MODELS	10051135AL	TRANSMISSION HOUSING	1	YES		KMGSE456626G
2	DI-20 GT WITH TIPPING TRAILER	10053147AC	MITA HYDRAULICS 500KG	1	NO	WITH TIPPING TRAILER IMPLEMENTATION IN GARDENTRAC (WITHOUT DCV OPTION), WITH LIFTOMATIC FEATURE	GMGSU486482G
2	ALL MODELS	10051219AB	MITA HYDRAULIC 500KG(REAR COVER)	1	YES		EMGSD297771G
2	DI-20 GT WITH MITA LIFT WITHOUT TIPPING TRAILER,SOLIS 20 WITH MITA LIFT WITHOUT TIPPING TRAILER	10051219BA	MITA HYDRAULIC 500KG	1	NO	PART MODIFIED FROM 10051219AC	MEMMGST639247G
4	DI-20 GT	20004592AA	SOCKET HEAD CAP SCREW M10X130 10.9 SA3NS	1			
1	ALL MODELS	10051135AF	TRANSMISSION HOUSING	1			
2	ALL MODELS	10051219AA	MITA HYDRAULIC 500KG(REAR COVER)	1			
3	ALL MODELS	20003223AA	HEX BOLT M10*1.5*90 8-8 SA3NS	1		INTERCHANGEABLE WITH 20003223AB (ROHS)	
4	ALL MODELS	04040710130	HEX BOLT M10*1.25X130	1		INTERCHANGEABLE WITH 20005594AA (ROHS)	
5	ALL MODELS	04030400010	SPRING WASHER B-10	3			
6	ALL MODELS	20004067AA	HEX BOLT M10*1.5*120 8-8 SA3NS	1			
7	ALL MODELS	20002016AB	HEX HEAD SCREW M10 x 1.5 x 30 8-8 SA2JS	6		INTERCHANGEABLE WITH 20005562AA (ROHS)	
8	ALL MODELS	10051402AA	CONTROL VALVE ASSY.	1		ADDED WITH 10051219AA AND DELETED WITH 10051219AB FROM	EMGSD297771G
9	ALL MODELS	04030400008	SPRING WASHER B-8	6		ADDED WITH 10051219AA AND DELETED WITH 10051219AB FROM	EMGSD297771G
10	ALL MODELS	04040108035	HEX SCREW M8*1.25*35	2		ADDED WITH 10051219AA AND DELETED WITH 10051219AB FROM	EMGSD297771G
6	ALL MODELS	20004067AB	HEX BOLT M10*1.5*120 8-8 SA3NS	1	YES		BYDDF536462MS
3	ALL MODELS	20003223AB	HEX BOLT M10*1.5*90 8-8 SA3NS	1	YES		BMKSF538711G26
12	DI-20 GT WITH ADDC FEATURE	10051499CB	CYLINDER COVER	1			
12	DI-20 GT WITH ADDC FEATURE	10051499CC	CYLINDER COVER	1	YES		BMGST608050G

Sr.	Model	Item Code	Description	Qty	Int.	Remarks	Cut Off
9	ALL MODELS	20005517AA	SPRING WASHER B-8 TYPE A IS: 3067-1972	6	YES		
7	SOLIS-20 EU FACELIFT (POWER STG.)	20005562AA	HEX HEAD SCREW M10X1.5X30 -8.8 SA4GS	6			
10	SOLIS-20 EU FACELIFT (POWER STG.)	20005567AA	HEX SCREW M8X1.25X35 8.8 SA4GS	2			

10120A-1/2

PIPE ROUTING ASSEMBLY



Sr.	Model	Item Code	Description	Qty	Int.	Remarks	Cut Off
8	ALL MODELS	300028444A	HEX BOLT M6*40 SA4GS	8			
14	ALL MODELS	20005559AA	HEX HEAD SCREW M8X1.25X16 -8.8 SA4GS	4			
21	ALL MODELS	10051651AB	O RING Ø18.3X Ø2.4	2			
26	ALL MODELS	10052711AB	O-RING DIA 37.82X1.78	1			
17	DI-20 GT WITH MITA LIFT WITHOUT TIPPING TRAILER,SOLIS 20 WITH MITA LIFT WITHOUT TIPPING TRAILER	10051219BB	MITA HYDRAULICS 500KG	1	YES		MEMRMKSNB LH09295
18	ALL MODELS	04040308035	HEX SOCKET HEAD CAP SCREW M8*35	1			
2A	ALL MODELS	10051631BB	SECONDARY SUCTION PIPE FROM DIFF.TO PUMP	1	NO		LMGSV388370G
5A	ALL MODELS	10051630BA	PRIMARY SUCTION PIPE FROM DIFF. TO PUMP	1	NO		LMGSV388370G

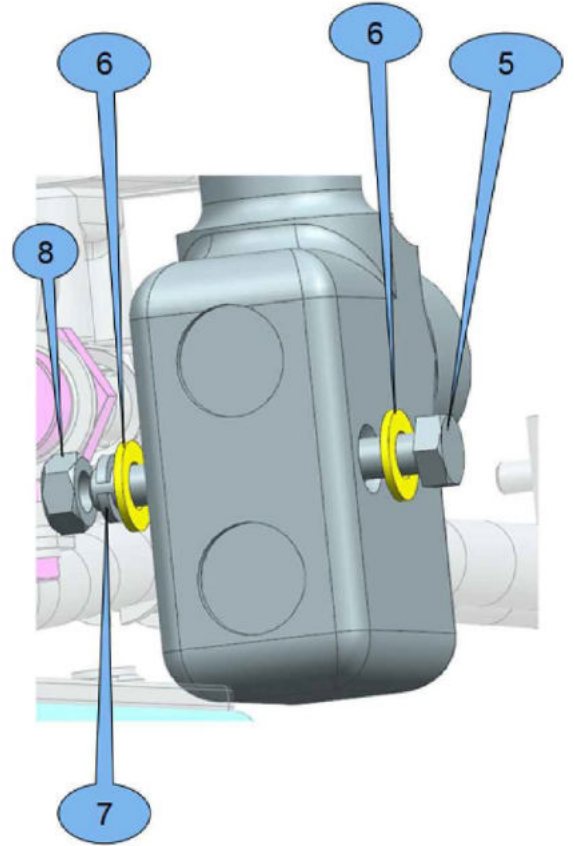
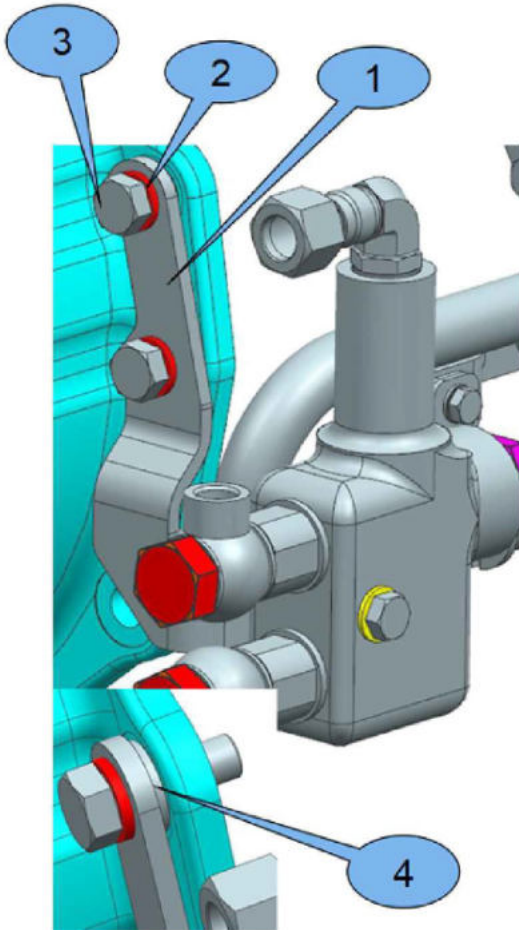
Sr.	Model	Item Code	Description	Qty	Int.	Remarks	Cut Off
6A	ALL MODELS	10051482BB	SUCTION STRAINER ASSY.	1	NO		LMGSV388370G
14	ALL MODELS	20002059AA	HEX SCREW M8 x 1.25 x 16 8-8 SA2JS	4		INTERCHANGEABLE WITH 20005559AA (ROHS)	
15	ALL MODELS	04030400008	SPRING WASHER B-8	4		INTERCHANGEABLE WITH 20005517AA (ROHS)	
27	ALL MODELS	10052696AA	SUCTION HOSE	1			
28	ALL MODELS	10052710AA	COVER PLATE	1			
29	ALL MODELS	10052695AA	STICKER FOR SUCTION STRAINER	1			
30	ALL MODELS	20001089AA	Hex. head screw M8 x 1.25-25 8-8 SA2JS	2		INTERCHANGEABLE WITH 20005564AA (ROHS)	
31	ALL MODELS	04080400036	HOSE WARM CLIP DIA 36	2		INTERCHANGEABLE WITH 20003660AB (ROHS)	
32	SOLIS-20	04080700016	BENJO BOLT M16*1.5*28 (4 HOLES)	1			
33	SOLIS-20	04030216020	SEALING WASHER DIA 16.2* DIA 20 * 1.5	2			
16	DI-20 GT EXCEPT ADDC OPTION	10012573AA	BONDED SEAL FOR M18	2	NO		AMGSF549244G
4A	SOLIS-20	10052356AB	SECONDARY PIPE FROM PUMP TO DCV	1			
31	ALL MODELS	20004823AA	HOSE WORM CLAMP DIA 30 IS:4762	2	YES	INTERCHANGEABLE WITH 20004823AB (ROHS)	MMGST621818G
17	DI-20 GT WITH TIPPING TRAILER	10053147AC	MITA HYDRAULICS 500KG	1	NO		GMGSU486482G
17	ALL MODELS	10051219AC	MITA HYDRAULIC 500KG(REAR COVER)	1	YES		KMGSV375952G
21	ALL MODELS	10051651AA	O RING Ø18.3X Ø2.4	2		INTERCHANGEABLE WITH 10051651AB (ROHS)	
26	ALL MODELS	10052711AA	O-RING DIA 37.82X1.78	1		INTERCHANGEABLE WITH 10052711AB (ROHS)	
17	DI-20 GT WITH MITA LIFT WITHOUT TIPPING TRAILER,SOLIS 20 WITH MITA LIFT WITHOUT TIPPING TRAILER	10051219BA	MITA HYDRAULIC 500KG	1	NO	PART MODIFIED FROM 10051219AC	MEMMGST639247G
27	ALL MODELS	10052696AB	SUCTION HOSE	1	YES		GMGSU490777G
14	ALL MODELS	20002059AA	HEX SCREW M8 x 1.25 x 16 8-8 SA2JS	4		QTY WILL DEC BY 2 WITH 10051482BB	LMGSV388370G
14A	WITH 10051482BB	20001089AA	Hex. head screw M8 x 1.25-25 8-8 SA2JS	1	FROM	INTERCHANGEABLE WITH 20005564AA (ROHS)	LMGSV388370G
1	ALL MODELS	10051321AB	HYDRAULIC PUMP	1			
2	ALL MODELS	10051631AD	SECONDARY SUCTION PIPE FROM	1			

Sr.	Model	Item Code	Description	Qty	Int.	Remarks	Cut Off
			DIFF.TO PUMP				
3	ALL MODELS	10051480AC	PRIMARY PIPE FROM PUMP TO REAR COVER	1			
4	DI-20 GT	10051481AC	SECONDARY PIPE FROM PUMP TO REAR COVER	1			
4	DI-20 GT EXCEPT ADDC OPTION	10055068AB	MIDDLE PIPE FROM PUMP TO REAR COVER	1	NO		AMGSF549244G
5	ALL MODELS	10051630AE	PRIMARY SUCTION PIPE FROM DIFF. TO PUMP	1			
6	ALL MODELS	10051482AE	SUCTION STRAINER ASSY.	1			
7	ALL MODELS	10051337BB	DELIVERY ADOPTER	1			
8	ALL MODELS	04040706040	HEX BOLT M6*40	8		INTERCHANGEABLE WITH 20003325AA (ROHS)	
9	ALL MODELS	04030400006	SPRING WASHER B-6	8			
10	ALL MODELS	10051485AA	CURVE PLATE CLAMP ASSY	2		INTERCHANGEABLE WITH 300027642A (ROHS)	
11	ALL MODELS	10051486AA	VIBRATION DAMPER	2			
12	ALL MODELS	-	CLAMP PLATE ASSY.	2		Sub Parts of	
13	ALL MODELS	-	SCREW FOR CLAMP TIGHTNING	2			
16	DI-20 GT	10025559AB	JIC STRAIGHT CONNECTION 3 4-16XM18X1.5	1			
17	ALL MODELS	10051219AA	MITA HYDRAULIC 500KG(REAR COVER)	1			
17	ALL MODELS	10051219AB	MITA HYDRAULIC 500KG(REAR COVER)	1	YES		EMGSD297771G
19	ALL MODELS	04040800008	HEX NUT M8*1.25	3		INTERCHANGEABLE WITH 20005504AA (ROHS)	
20	ALL MODELS	10051636AA	O-RING Ø29.6X Ø1.8	2			
20A	ALL MODELS	10052530AA	GASKET (STRAINER COVER)	2	YES		JMGSD302033G
22	ALL MODELS	10081598AA	VIBRATION DAMPER	2		INTERCHANGEABLE WITH 10081598AB (ROHS)	
23	ALL MODELS	10051330AA	BREATHER ASSY.	1			
7	ALL MODELS	10051337BC	DELIVERY ADOPTER	1	YES		JMGSV363943G
11	ALL MODELS	10051486AB	VIBRATION DAMPER	2	YES		
15	ALL MODELS	20005517AA	SPRING WASHER B-8 TYPE A IS: 3067-1972	4	YES		
19	ALL MODELS	20005504AA	HEX NUT M8X1.25 -8 SA4GS	3	YES		
22	ALL MODELS	10081598AB	VIBRATION DAMPER	2	YES		
23	ALL MODELS	10051330AB	BREATHER ASSY	1	YES		
31	ALL MODELS	20003660AB	HOSE WARM CLIP DIA 36	2	YES		
31	ALL MODELS	20004823AB	HOSE WORM CLAMP DIA 30 IS:4762	2	YES		

Sr.	Model	Item Code	Description	Qty	Int.	Remarks	Cut Off
34	SOLIS-20 (PS)	300155966A	CLAMP ASSY. FOR P.S PIPES	1			
34	SOLIS-20 (PS)	300155966B	CLAMP ASSY. FOR P.S PIPES	1	YES		MEMRYNDNCB LH09242
35	SOLIS-20 (PS) FACELIFT	300171316A	PRIORITY VALVE MTG. BKT.	1			
35	SOLIS-20 (PS) FACELIFT	300171316B	PRIORITY VALVE MTG. BKT.	1	YES		MEMRMGSNSB LH09451
2A	SOLIS-20 EU FACELIFT (POWER STG.)	300157544B	SECONDARY SUCTION PIPE	1			
4A	SOLIS-20 EU FACELIFT (POWER STG.)	300143945A	SEC PIPE FROM STG. UNIT EF PORT TO DCVV	1			
5A	SOLIS-20 EU FACELIFT (POWER STG.)	300158561B	PRIMARY SUCTION PIPE METALLIC	1			
6A	SOLIS-20 EU FACELIFT (POWER STG.)	20005340AA	SUCTION STRAINER (160 MICRON)	1			
7	SOLIS-20 EU FACELIFT (POWER STG.)	10056598AA	DELIVERY ADOPTER	1			
18	SOLIS-20 EU FACELIFT (POWER STG.)	20005001AB	HEX SOCKET HEAD CAP SCREW M8*25	1			
21	SOLIS-20 EU FACELIFT (POWER STG.)	10051651AD	O RING Ø18.3X Ø2.5	2			
26	SOLIS-20 EU FACELIFT (POWER STG.)	10052711AC	O-RING DIA 37.82 X DIA 1.78	1			
30	SOLIS-20 EU FACELIFT (POWER STG.)	20005564AA	HEX HEAD SCREW M8X1.25-25 -8.8 SA4GS	2			

10121A-1/1

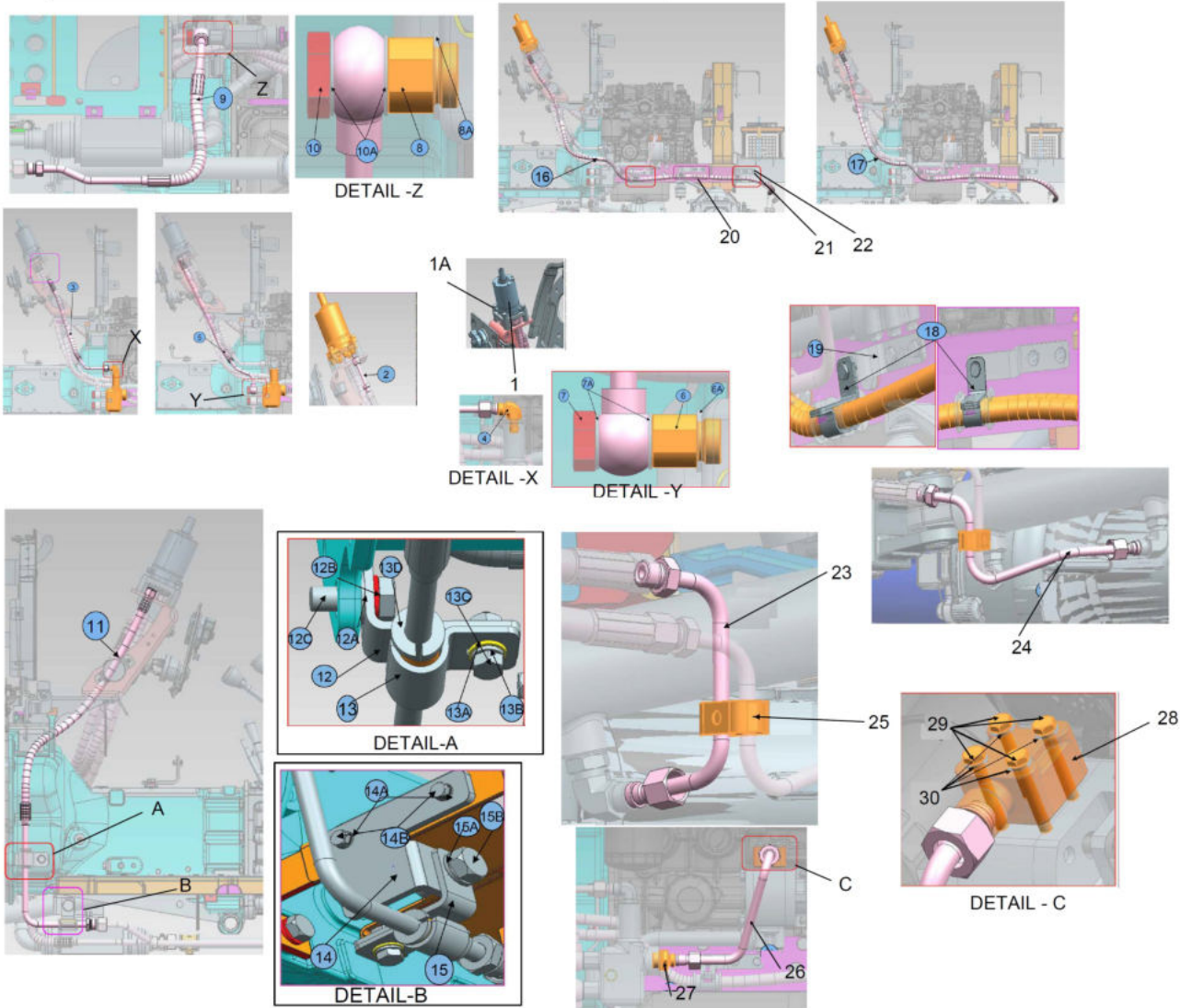
PRIORITY VALVE MTG. BRACKET POWER STG.



Sr.	Model	Item Code	Description	Qty	Int.	Remarks	Cut Off
1	ALL MODELS	300171316A	PRIORITY VALVE MTG. BKT	1			
2	ALL MODELS	04030400010	SPRING WASHER B-10	2			
3	ALL MODELS	10053438AA	HEX. HEAD SCREW M12x1.25X28	2			
4	ALL MODELS	04030600010	PLAIN WASHER DIA 10.5 *DIA 30 *2.5	2			
5	ALL MODELS	20005608AA	HEX HEAD BOLT M8X1.25X60_8.8 SA4GS	1			
6	ALL MODELS	04030600008	PLAIN WASHER DIA 8.4 *DIA 17*1.6	2			
7	ALL MODELS	04030400008	SPRING WASHER B-8	1			
8	ALL MODELS	20005504AA	HEX NUT M8X1.25 -8 SA4GS	1			

10122A-1/1

POWER STEERING PIPES



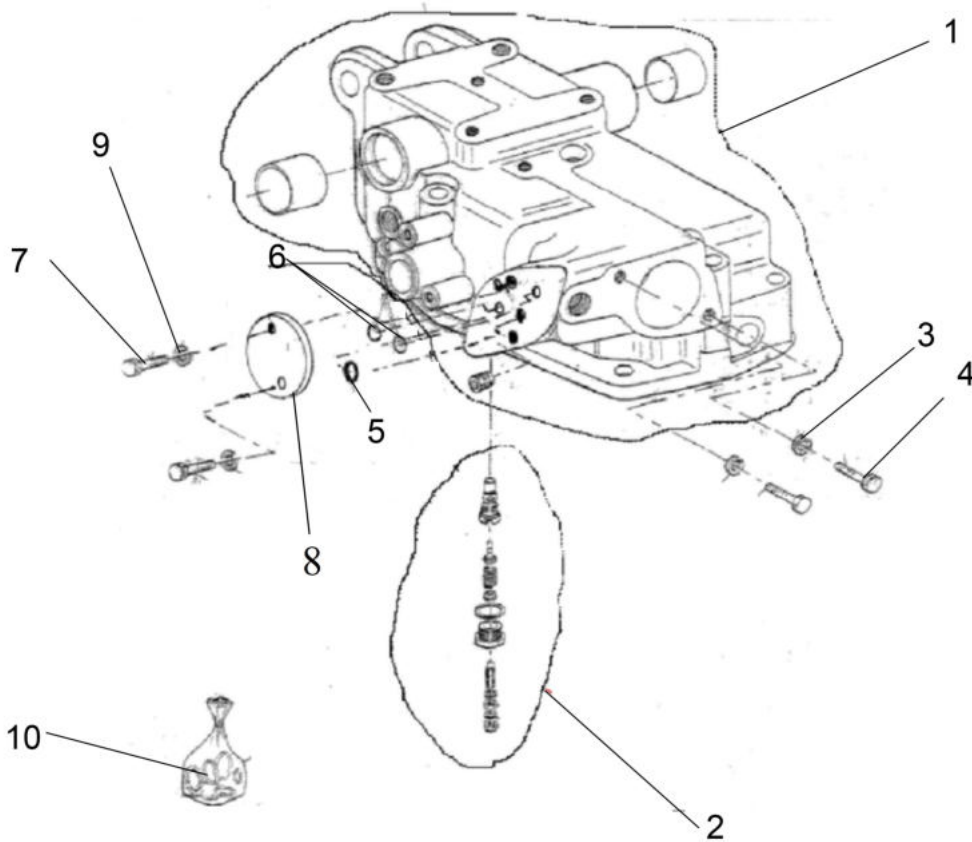
Sr.	Model	Item Code	Description	Qty	Int.	Remarks	Cut Off
1	ALL MODELS	10052960AE	STEERING UNIT 40CC	1			
1A	ALL MODELS	20005608AA	HEX HEAD BOLT M8X1.25X60_8.8 SA4GS	4			
2	ALL MODELS	300171952A	SEC. PIPE FROM PV TO STG. UNIT PORT E	1			
3	ALL MODELS	300171896B	FELXIBLE PIPE FROM P.V. TO PORT E	1			
4	ALL MODELS	10053156CC	90° ADJUSTABLE STUD ELBOW 10 X G1/4-A	1			
5	ALL MODELS	300172046A	FLEXIBLE PIPE FROM P.V CF TO STG. UNIT P	1			
6	ALL MODELS	10017560AC	ADOPTER 1/2" BSP	1			
6A	ALL MODELS	10012579AB	BONDED SEAL FOR 1/2 " BSP	1			
7	ALL MODELS	20003896AA	BANJO BOLT M18X1.5 IS:3174-1974	1			

Sr.	Model	Item Code	Description	Qty	Int.	Remarks	Cut Off
7A	ALL MODELS	10012573AA	BONDED SEAL FOR M18	2			
8	ALL MODELS	10017560AC	ADOPTER 1/2" BSP	1			
8A	ALL MODELS	10012579AB	BONDED SEAL FOR 1/2 " BSP	1			
9	ALL MODELS	300171985A	PRIMARY PIPE FROM P.V PORT EF TO DCV	1			
10	ALL MODELS	20003896AA	BANJO BOLT M18X1.5 IS:3174-1974	1			
10A	ALL MODELS	10012573AA	BONDED SEAL FOR M18	2			
11	ALL MODELS	300172195B	PRIMARY PIPE T TO TANK	1			
12	ALL MODELS	300174915A	BASE PLATE	1			
12A	ALL MODELS	04030600010	PLAIN WASHER DIA 10.5 *DIA 30 *2.5	1			
12B	ALL MODELS	04030400010	SPRING WASHER B-10	1			
12C	ALL MODELS	20005562AA	HEX HEAD SCREW M10X1.5X30 -8.8 SA4GS	1			
13	ALL MODELS	10017853AB	CLAMP FOR PIPE OD-12	2			
13A	ALL MODELS	04030600008	PLAIN WASHER DIA 8.4 *DIA 17*1.6	2			
13B	ALL MODELS	04030400008	SPRING WASHER B-8	2			
13C	ALL MODELS	200000430A	HEX. HEAD SCREW M8X1.25X20 8.8 SA4GS	2			
13D	ALL MODELS	10029735AB	VIBRATION DAMPER	2			
14	ALL MODELS	300174915A	BASE PLATE	1			
14A	ALL MODELS	04030400006	SPRING WASHER B-6	2			
14B	ALL MODELS	20005569AA	HEX SCREW M6X1X20	2			
15	ALL MODELS	300172837B	BASE PLATE FOR CURVE CLAMP	1			
15A	ALL MODELS	04030400014	SPRING WASHER B-14	1			
15B	ALL MODELS	20003246AB	HEX SCREW M14*30	1			
16	ALL MODELS	300172503A	FLEXIBLE PIPE FROM STG PORT L TO CYL L	1			
17	ALL MODELS	300172568A	FLEXIBLE PIPE FROM STG PORT R TO CYL R	1			
18	ALL MODELS	300155966B	CLAMP ASSY. FOR P.S PIPES	3			
18A	ALL MODELS	20005542AA	HEX FLANGE SCREW M6*1*16 -8.8 SA4GS	3			
18B	ALL MODELS	20005516AA	SPRING WASHER B-6 TYPE A IS: 3067-1972	3			
18C	ALL MODELS	20005491AA	HEX NUT M6 -8 SA4GS	3			
19	ALL MODELS	300172837B	BASE PLATE FOR CURVE CLAMP	2			
20	ALL MODELS	300174371A	MTG. PLATE ASSY	1			
21	ALL MODELS	04030400006	SPRING WASHER B-6	6			
22	ALL MODELS	04040106016	HEX SCREW M6*16	6			
23	ALL MODELS	300155905A	SEC PIPE FROM UNIT L TO STG. CYL. LH	1			

Sr.	Model	Item Code	Description	Qty	Int.	Remarks	Cut Off
24	ALL MODELS	300154846A	SEC PIPE FROM UNIT R TO STG. CYL. RH	1			
25	ALL MODELS	10017707AA	CLAMP FOR PIPE	1			
26	ALL MODELS	300171858A	PRIMARY PIPE FROM PUMP TO P.V	1			
27	ALL MODELS	10039266AD	ADOPTADOPTER M18X1.5/ & G-1/2" A	1			
28	ALL MODELS	04040706040	M6*40	4			
29	ALL MODELS	04030400006	SPRING WASHER B-6	4			
30	ALL MODELS	20005516AA	SPRING WASHER B-6 TYPE A IS: 3067-1972	4			

10130A-1-1

LIFT BODY ASSY.



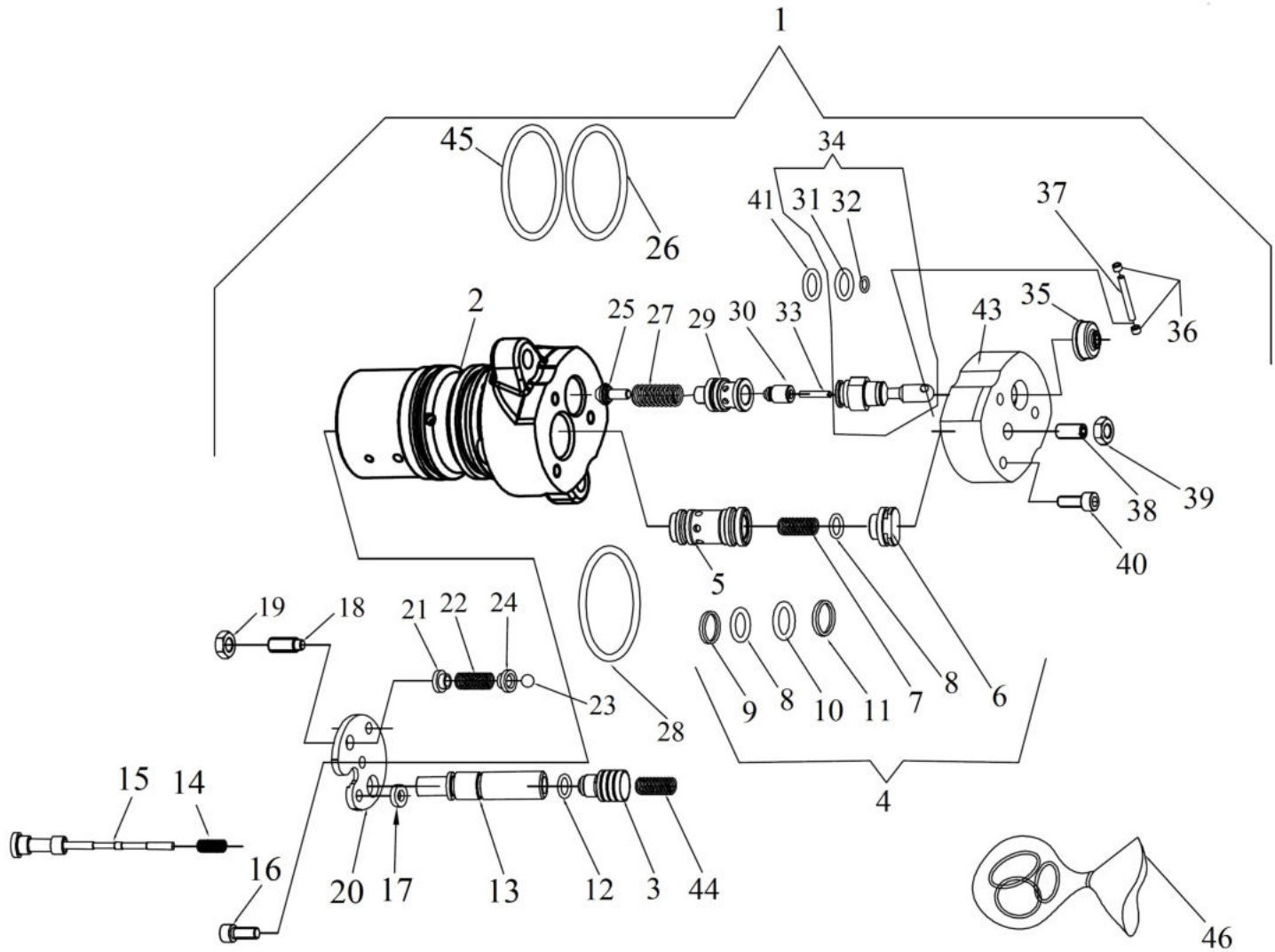
Sr.	Model	Item Code	Description	Qty	Int.	Remarks	Cut Off
	ALL MODELS	-	TAB. 2 - POS. 3-7 -8-10	-		CHILD PART DETAILS OF 10051219	
	ALL MODELS	-	TAB. 4 - POS. 5	-		CHILD PART DETAILS OF 10051219	
2D	ALL MODELS	10052857AA	SPRING SLIDE	1	APN Servi ceabl e as high er Assy 1005 1983 AA	S.NO 2A TO 2K ARE THE SUB PARTS OF S. NO 2,CHILD PART DETAILS OF 10051219	
2E	ALL MODELS	10052858AA	COPPER WASHER	1	APN	S.NO 2A TO 2K	

Sr.	Model	Item Code	Description	Qty	Int.	Remarks	Cut Off
						Servi ARE THE SUB ceabl PARTS OF S. e as NO 2,CHILD high PART DETAILS r OF 10051219 Assy 1005 1983 AA	
2F	ALL MODELS	10052859AA	SCREW PLUG	1	APN Servi ceabl e as high r Assy 1005 1983 AA	S.NO 2A TO 2K ARE THE SUB PARTS OF S. NO 2,CHILD PART DETAILS OF 10051219	
2G	ALL MODELS	10052860AA	SCREW	1	APN Servi ceabl e as high r Assy 1005 1983 AA	S.NO 2A TO 2K ARE THE SUB PARTS OF S. NO 2,CHILD PART DETAILS OF 10051219	
2H	ALL MODELS	10052861AA	LOCK NUT	1	APN Servi ceabl e as high r Assy 1005 1983 AA	S.NO 2A TO 2K ARE THE SUB PARTS OF S. NO 2,CHILD PART DETAILS OF 10051219	
2J	ALL MODELS	10052862AA	COPPER WASHER 8.5*14*1.5	2		S.NO 2A TO 2K ARE THE SUB PARTS OF S. NO 2,CHILD PART DETAILS OF 10051219	
2K	ALL MODELS	10052865AA	DOME NUT	1	APN Servi ceabl e as high r Assy 1005 1983 AA	S.NO 2A TO 2K ARE THE SUB PARTS OF S. NO 2,CHILD PART DETAILS OF 10051219	
3	ALL MODELS	10051984AA	LOCKWASHER D=8 DIN 7980	2		CHILD PART DETAILS OF 10051219	
4	ALL MODELS	10051985AA	SCREW M8x35 8G DIN 931	2		CHILD PART DETAILS OF 10051219	
5	ALL MODELS	10051986AA	ENCL. IN SEAL KIT	1		CHILD PART DETAILS OF 10051219	
2	ALL MODELS	10051983AA	KIT RELIEF VALVE	1		CHILD PART DETAILS OF 10051219	

Sr.	Model	Item Code	Description	Qty	Int.	Remarks	Cut Off
2A	ALL MODELS	10052854AA	SEAT VALVE	1	APN Servi ceabl e as high er Assy 1005 1983 AA	S.NO 2A TO 2K ARE THE SUB PARTS OF S. NO 2,CHILD PART DETAILS OF 10051219	
6	ALL MODELS	10051987AA	ENCL. IN SEAL KIT	1		CHILD PART DETAILS OF 10051219	
7	ALL MODELS	10051988AA	SCREW M10x35 UNI5737	2		CHILD PART DETAILS OF 10051219	
8	ALL MODELS	10051989AA	CLOSING FLANGE	1		CHILD PART DETAILS OF 10051219	
9	ALL MODELS	10051990AA	WASHER D=10 20x2,6 Zn	2		CHILD PART DETAILS OF 10051219	
10	ALL MODELS	10051991AA	SEAL KIT:	1		CHILD PART DETAILS OF 10051219	
	ALL MODELS	-	TAB. 1 - POS. 5-6	-		CHILD PART DETAILS OF 10051219	
1	ALL MODELS	10051982AA	LIFT BODY ASSEMBLY	1		CHILD PART DETAILS OF 10051219	
2B	ALL MODELS	10052855AA	PIN VALVE	1	APN Servi ceabl e as high er Assy 1005 1983 AA	S.NO 2A TO 2K ARE THE SUB PARTS OF S. NO 2,CHILD PART DETAILS OF 10051219	
2C	ALL MODELS	10052856AA	SPRING	1	APN Servi ceabl e as high er Assy 1005 1983 AA	S.NO 2A TO 2K ARE THE SUB PARTS OF S. NO 2,CHILD PART DETAILS OF 10051219	
1	ALL MODELS	300119669A	LIFT BODY ASSEMBLY_10051219BA	1	NO	CHILD PART OF 10051219BA	

10130A-2-2

CONTROL VALVE ASSY



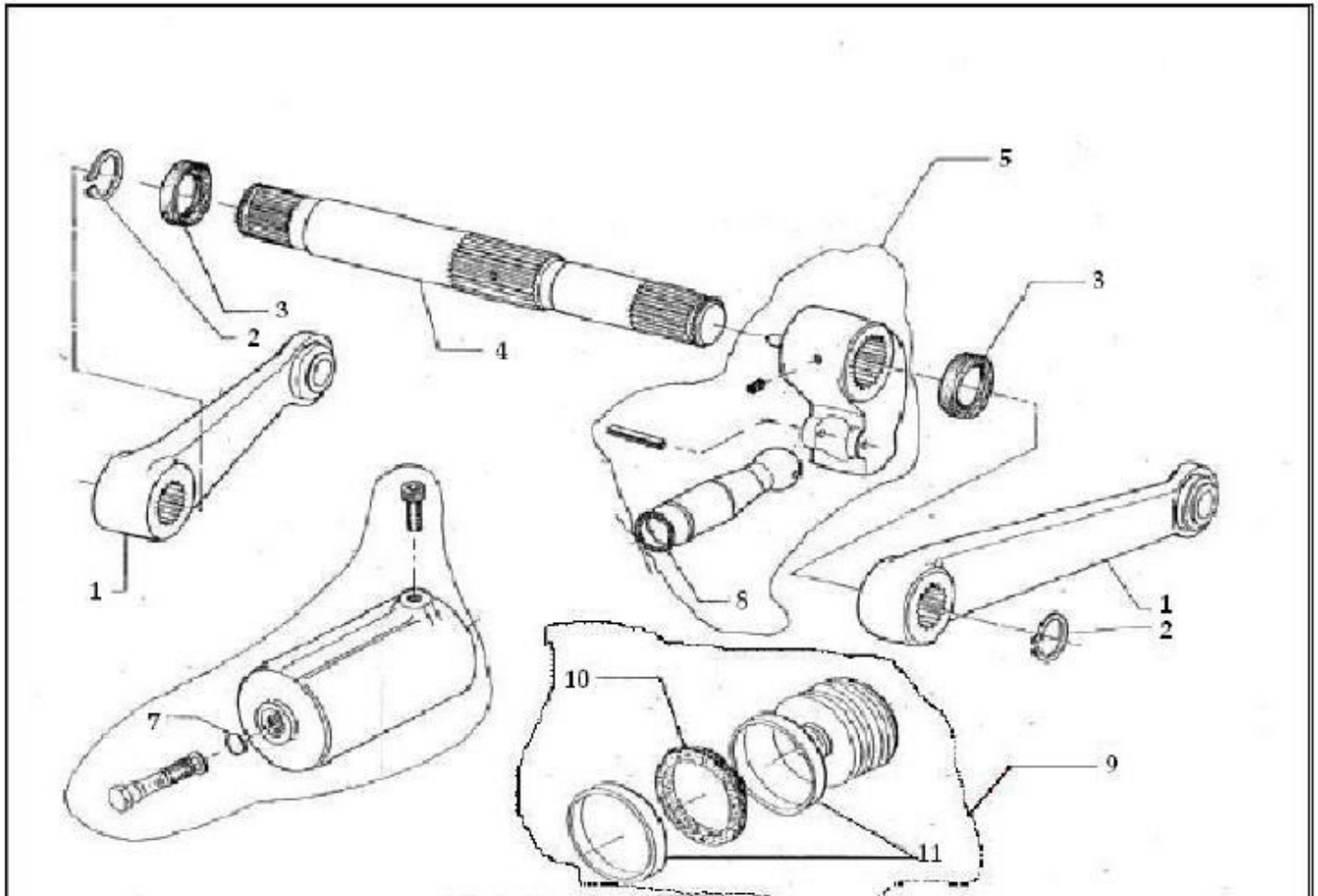
Sr.	Model	Item Code	Description	Qty	Int.	Remarks	Cut Off
1	ALL MODELS	300134485A	CONTROL VALVE_030742	1		INTERCHANGEABLE WITH 10051402AA (ROHS)	
2	ALL MODELS	-	NOT AVAIBLE AS SPARE PARTS	null			
3	ALL MODELS	10081089AA	VALVE	1			
4	ALL MODELS	10081090AA	VALVE WHIT RINGS	1			
5	ALL MODELS	-	NOT AVAIBLE AS SPARE PARTS	null			
6	ALL MODELS	10081091AA	PLUG M14X1	1			
7	ALL MODELS	10081092AA	SPRING De=8,2 L=40	1			

Sr.	Model	Item Code	Description	Qty	Int.	Remarks	Cut Off
8	ALL MODELS	10081095AA	OR 15,6 TI,78 80/90SH	2			
9	ALL MODELS	10081093AA	PARBAK 8-016 D15,6	1			
10	ALL MODELS	10081096AA	OR D18,77X1,78 70/80SH	1			
11	ALL MODELS	10081094AA	PARBAK 8-018 D18,7	1			
12	ALL MODELS	10081123AA	80/90SH OR D=14X 1.78 SH 80/90	1			
13	ALL MODELS	10081105AA	VALVE SEAT	1			
14	ALL MODELS	10081114AA	SPRING De=6,5 L=32	1			
15	ALL MODELS	-	NOT AVAIABLE AS SPARE PARTS	null			
16	ALL MODELS	10081112AA	SCREW TCEI M6X16 DIN 912-8G	3			
17	ALL MODELS	10081103AA	SPACER 6/12X5	3			
18	ALL MODELS	10081111AA	DOWEL M8X20 DIN915 12.9	2			
19	ALL MODELS	10081113AA	NUT M8 PAL DIN 7967	2			
20	ALL MODELS	10081102AA	PLATE	1			
21	ALL MODELS	10081097AA	SPACER	2			
22	ALL MODELS	10081116AA	SPRING	2			
23	ALL MODELS	10081128AA	BALL 9/32' D=7,144	2			
24	ALL MODELS	10081131AA	SPACER	2			
25	ALL MODELS	10081104AA	VALVE	1			
26	ALL MODELS	10081119AA	OR D47,63 T3,53 80/90SH OR	2			
27	ALL MODELS	10081117AA	SPRING	1			
28	ALL MODELS	10081120AA	3,53X58.74SH80-90 OR D12,37	1			
29	ALL MODELS	10081108AA	VALVE SEAT	1			
30	ALL MODELS	10081106AA	VALVE	1			
31	ALL MODELS	10081121AA	TP,62 P80-90 OR D3,68X1,78	1			
32	ALL MODELS	10081122AA	80/90SH OR D12,42 T1,78	1			
33	ALL MODELS	10081129AA	PIN D4X19,8	1			
34	ALL MODELS	300134486A	LEVER ASSY_030469	1			
35	ALL MODELS	10081099AA	GASKET DIN 936	1			
36	ALL MODELS	10081126AA	BUSH	2			
37	ALL MODELS	10081124AA	ELASTIC PIN 4X36 DIN 7343	1			
38	ALL MODELS	300134487A	SCREW M8X20_900827	1			
39	ALL MODELS	10081041AA	NUT	1			
40	ALL MODELS	10081109AA	SCREW M6X25 DIN 912-8G	3			

Sr.	Model	Item Code	Description	Qty	Int.	Remarks	Cut Off
41	ALL MODELS	10081123AA	80/90SH OR D=14X 1.78 SH 80/90	1			
42	ALL MODELS	-	NOT AVAIABLE AS SPARE PARTS	null			
43	ALL MODELS	300134489A	Cover_030104	1			
44	ALL MODELS	10081115AA	SPRING D11X30	1			
45	ALL MODELS	10081118AA	PARBAK 8-225 D47,2	1			
46	ALL MODELS	10081133AA	SEAL KIT CONTROL VALVE	1			

10140A-1/1

CYLINDER ASSEMBLY.

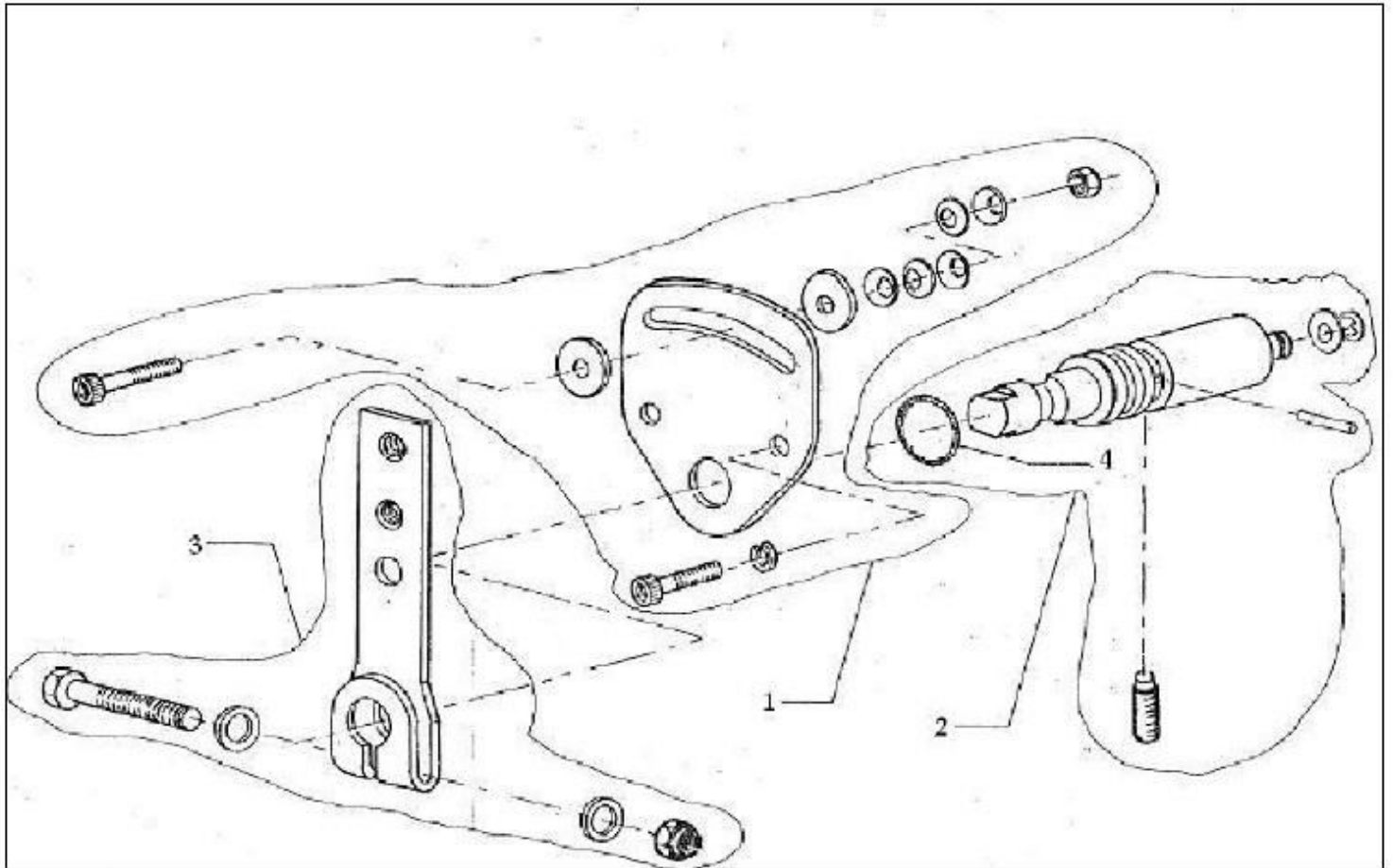


Sr.	Model	Item Code	Description	Qty	Int.	Remarks	Cut Off
1	ALL MODELS	10051992AA	ARM	2		CHILD PART DETAILS OF 10051219	
2	ALL MODELS	10051993AA	SEEGER E34 DIN 471	2		CHILD PART DETAILS OF 10051219	
3	ALL MODELS	10051994AA	ENCL. IN SEAL KIT	2		CHILD PART DETAILS OF 10051219	
4	ALL MODELS	10051995AA	SHAFT	1		CHILD PART DETAILS OF 10051219	
5	ALL MODELS	10051996AA	KIT CRANK	1		CHILD PART DETAILS OF 10051219	
6	ALL MODELS	10051997AA	KIT CYLINDER	1		NOT SHOWN, CHILD PART DETAILS OF	

Sr.	Model	Item Code	Description	Qty	Int.	Remarks	Cut Off
						10051219	
7	ALL MODELS	10051998AA	ENCL. IN SEAL KIT	1		CHILD PART DETAILS OF 10051219	
8	ALL MODELS	10051999AA	ENCL. IN SEAL KIT	1		CHILD PART DETAILS OF 10051219	
9	ALL MODELS	10052000AA	KIT PISTON	1		CHILD PART DETAILS OF 10051219	
10	ALL MODELS	10052001AA	ENCL. IN SEAL KIT	1		CHILD PART DETAILS OF 10051219	
11	ALL MODELS	10052002AA	ENCL. IN SEAL KIT	2		CHILD PART DETAILS OF 10051219	

10150A-1/1

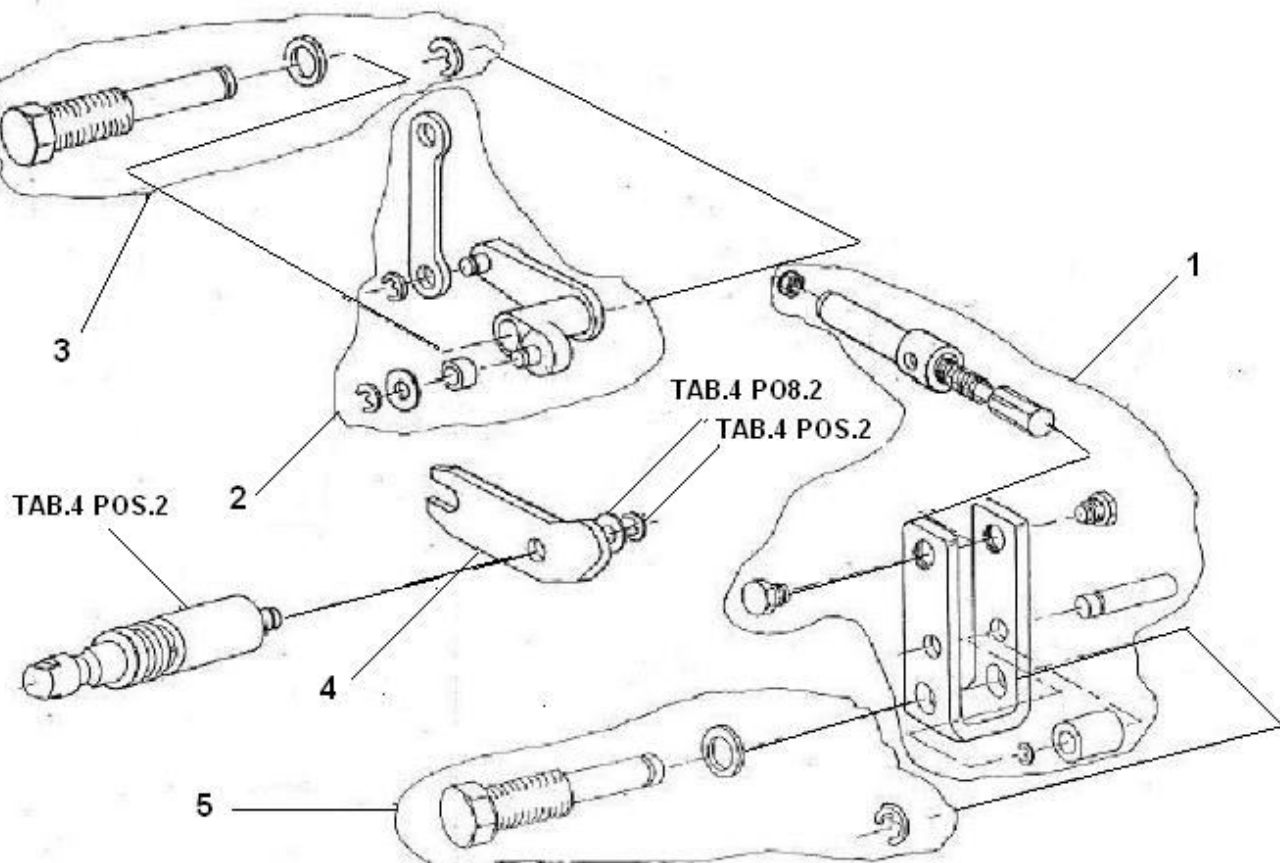
CONTROL LEVERS ASSY .



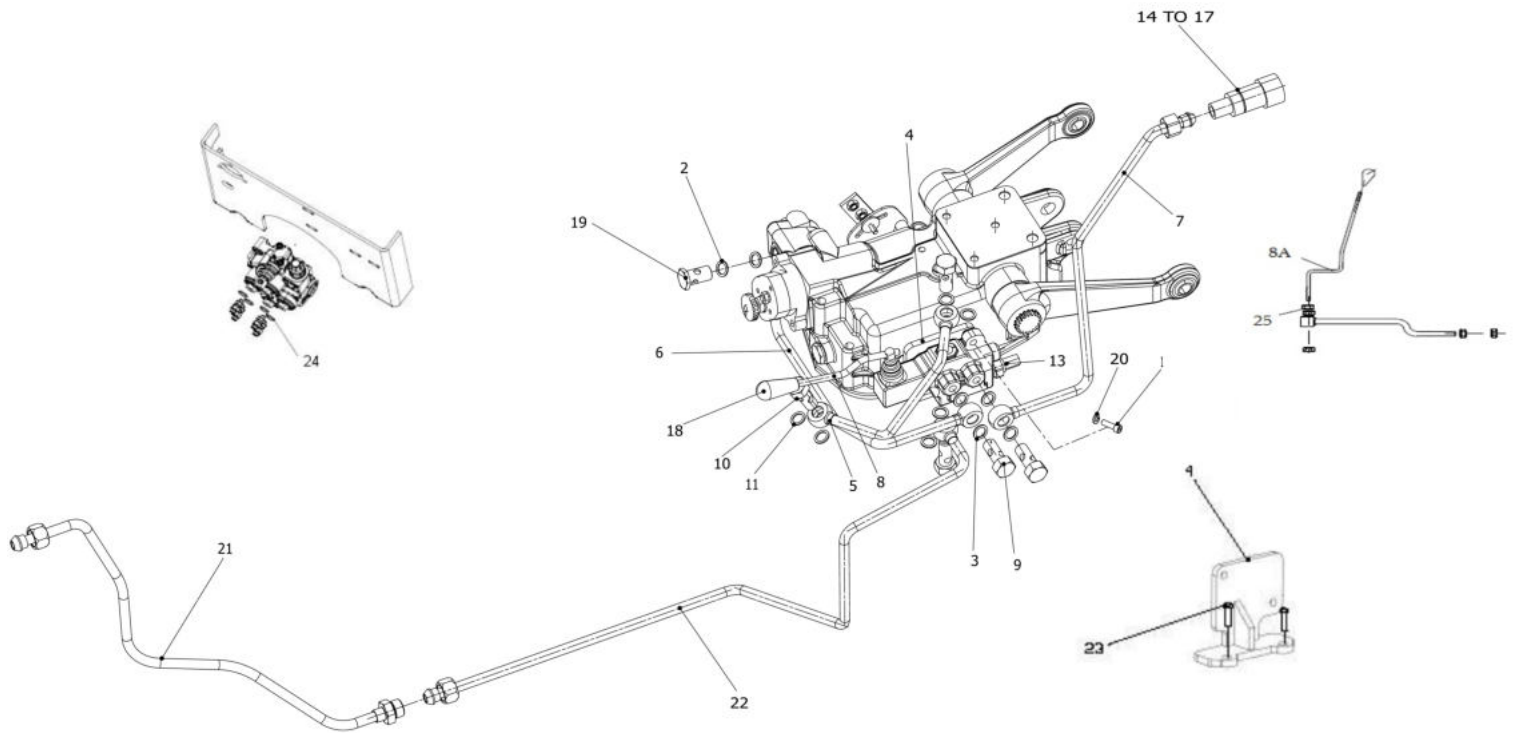
Sr.	Model	Item Code	Description	Qty	Int.	Remarks	Cut Off
1	ALL MODELS	10052003AA	KIT QUADRANT WITH FRICTION	1		CHILD PART DETAILS OF 10051219	
2	ALL MODELS	10052004AA	KIT CAMSHAFT	1		CHILD PART DETAILS OF 10051219	
3	ALL MODELS	10052005AA	KIT POSITION LEVER	1		CHILD PART DETAILS OF 10051219	
4	ALL MODELS	10052006AA	ENCL.IN SEAL KIT	1		CHILD PART DETAILS OF 10051219	

10160A-1/1

INTERNAL LEVERS ASSY,



Sr.	Model	Item Code	Description	Qty	Int.	Remarks	Cut Off
1	ALL MODELS	10052007AA	KIT LEVER	1		CHILD PART DETAILS OF 10051219	
2	ALL MODELS	10052008AA	KIT COPENSATOR	1		CHILD PART DETAILS OF 10051219	
3	ALL MODELS	10052009AA	KIT PIN	1		CHILD PART DETAILS OF 10051219	
4	ALL MODELS	10052010AA	LEVER	1		CHILD PART DETAILS OF 10051219	
5	ALL MODELS	10052011AA	KIT PIN	1		CHILD PART DETAILS OF 10051219	



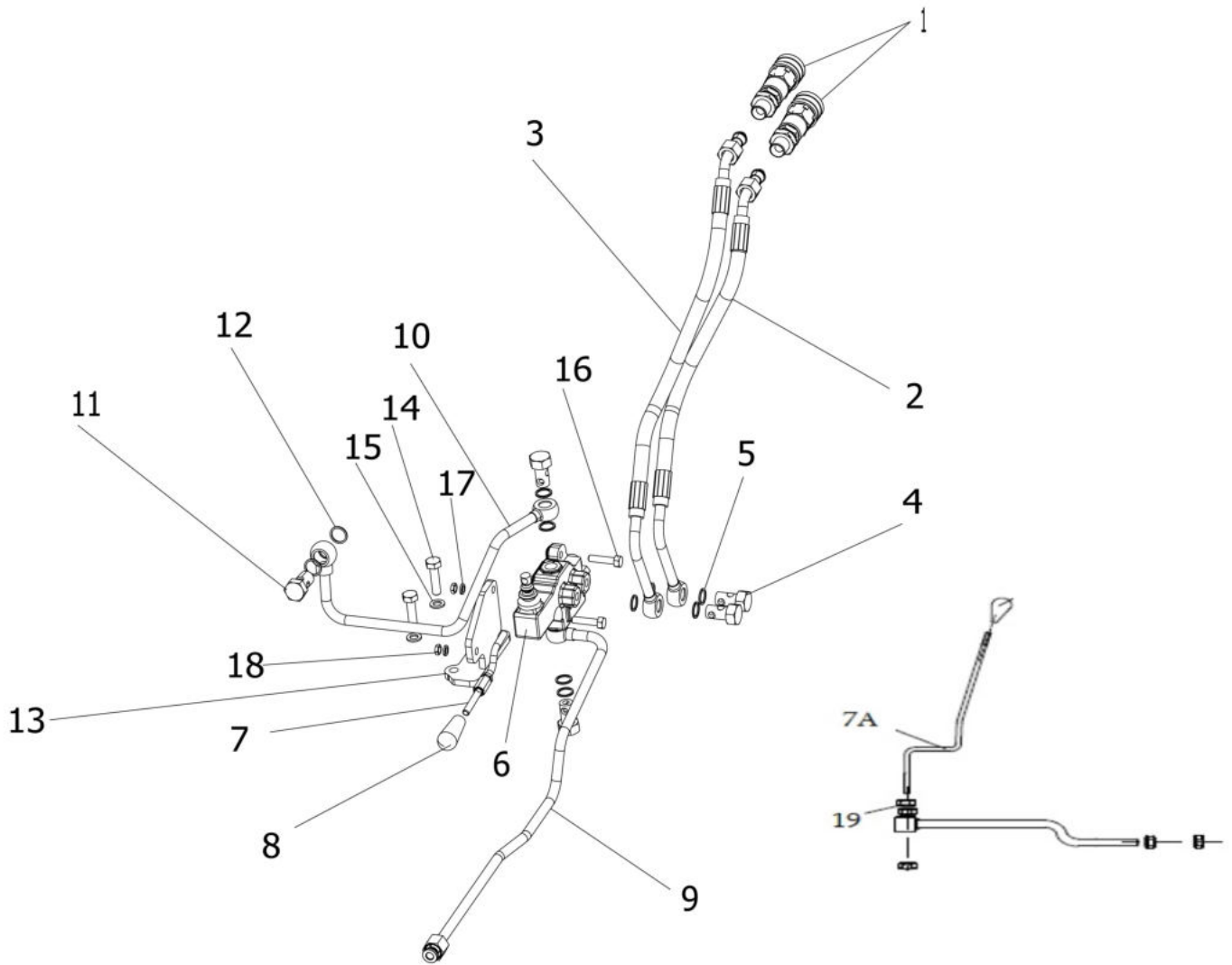
Sr.	Model	Item Code	Description	Qty	Int.	Remarks	Cut Off
24	WITH DCV MODELS	10012585AB	BONDED SEAL FOR 3/8 BSP	2		QTY WILL BE 4 FOR 2DA OPTION MODELS FROM	DYASU519445S 3
1	SOLIS-20	04040308025	HEX SOCKET HEAD CAP SCREW M8*25	2		WITH DCV ASSY.(ISA DCV)	
2	SOLIS-20	04032618022	SEALING WASHER DIA 18.2*DIA 22*1.5(CU)	2		WITH DCV ASSY.(ISA DCV)	
3	SOLIS-20	04031017021	SEALING WASHER DIA 17*DIA 21*1.5	8		WITH DCV ASSY.(ISA DCV)	
4	SOLIS-20	10052355AA	DCV MTG. BKT.	1		WITH DCV ASSY.(ISA DCV)	

Sr.	Model	Item Code	Description	Qty	Int.	Remarks	Cut Off
5	SOLIS-20	10052357AC	PIPE (DCV TO BRAKE HOUSING LH)	1		WITH DCV ASSY.(ISA DCV)	
6	SOLIS-20	10052358AB	PIPE(DCV TO REAR COVER)	1		WITH DCV ASSY.(ISA DCV)	
7	SOLIS-20	10052359BA	PIPE(DCV TO QRC)	1		WITH DCV ASSY.(ISA DCV)	
8	SOLIS-20	10052360AA	DCV LEVER	1		WITH DCV ASSY.(ISA DCV)	
9	SOLIS-20	10024269AA	BANJO BOLT 16.4(19TPI)	4		WITH DCV ASSY.(ISA DCV)	
10	SOLIS-20	04080700016	BENJO BOLT M16*1.5*28 (4 HOLES)	1		WITH DCV ASSY.(ISA DCV)	
11	SOLIS-20	04030216020	SEALING WASHER DIA 16.2* DIA 20 * 1.5	2		WITH DCV ASSY.(ISA DCV)	
13	SOLIS-20	10001659AB	DCV (SINGLE ACTING) BB01	1		WITH DCV ASSY.(ISA DCV)	
14	SOLIS-20	10005409AB	FEMALE QUICK CONNECT COUPLING-1 2 BSP	1		WITH DCV ASSY.(ISA DCV)	
15	SOLIS-20	10005405AA	MALE QUICK CONNECT COUPLER-1 2 BSP	1		WITH DCV ASSY.(ISA DCV)	
16	SOLIS-20	10005406AA	FEMALE DUST PLUG-RED SPAV. 13002	1		WITH DCV ASSY.(ISA DCV)	
17	SOLIS-20	10005407AA	MALE DUST PLUG-YELLOW SPAV. 13003	1		WITH DCV ASSY.(ISA DCV)	
18	SOLIS-20	10004846AA	KNOB (ROD ASSY HANDLER PTO)	1		WITH DCV ASSY.(ISA DCV)	
19	SOLIS-20	20003896AA	BANJO BOLT M18x1.5 IS:3174-1974	1		WITH DCV ASSY.(ISA DCV)	
20	SOLIS-20	04030400008	SPRING WASHER B-8	2		WITH DCV ASSY.(ISA DCV)	
21	SOLIS-20	10051480AC	PRIMARY PIPE FROM PUMP TO REAR COVER	1		WITH DCV ASSY.(ISA DCV)	
22	SOLIS-20	10052356AB	SECONDARY PIPE FROM PUMP TO DCV	1		WITH DCV ASSY.(ISA DCV)	
23	SOLIS-20	20002016AB	Hex. head screw M10 x 1.5 x 30 8-8 SA2JS	2		WITH DCV ASSY.(ISA DCV)	
8A	SOLIS-20	10056563AA	DCV LEVER 2 PAINTED (BLACK)	1			
25	SOLIS-20	20003355AB	HEX NUT M8X1.25 -8 SA2JS	5		PART FITTED WITH 10056560AA FROM	MEMGMGST638 052G
8A	SOLIS-20	10056560AA	DCV LEVER 2 UNPAINTED	1	NO		MEMGMGST638 052G
16	SOLIS-20	10005406AB	FEMALE DUST PLUG-RED SPAV. 13002	1	YES		
18	SOLIS-20	10004846AC	KNOB (ROD ASSY / HANDLER PTO)	1	YES		

Sr.	Model	Item Code	Description	Qty	Int.	Remarks	Cut Off
20	SOLIS-20	20005517AA	SPRING WASHER B-8 TYPE A IS: 3067-1972	2	YES		

10180A-1/1

1DA DCV ASSY.

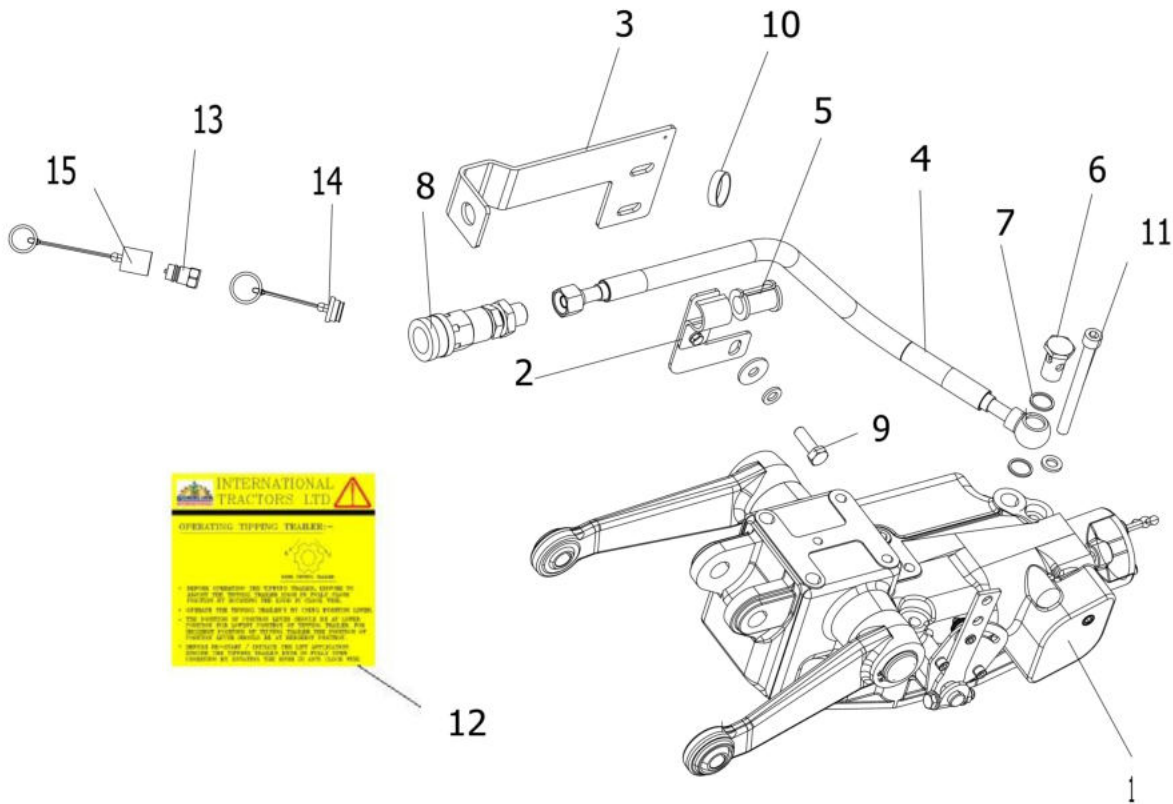


Sr.	Model	Item Code	Description	Qty	Int.	Remarks	Cut Off
7A	SOLIS-20	10056560AA	DCV LEVER 2 UNPAINTED	1	NO		MEMGMGST638052G
7A	SOLIS-20	10056563AA	DCV LEVER 2 PAINTED (BLACK)	1			
19	SOLIS-20	20003355AB	HEX NUT M8X1.25 -8 SA2JS	5		PART FITTED WITH 10056560AA FROM	MEMGMGST638052G
1	SOLIS-20	10005409AB	FEMALE QUICK CONNECT COUPLING-1/2 BSP	2		WITH DCV ASSY.(IDA DCV)	
1	SOLIS-20	10005405AA	MALE QUICK CONNECT COUPLER-1/2 BSP	2		WITH DCV ASSY.(IDA DCV)	
1	SOLIS-20	10005406AA	FEMALE DUST PLUG-RED SPAV. 13002	2		WITH DCV ASSY.(IDA DCV)	
1	SOLIS-20	10005407AA	MALE DUST PLUG-YELLOW SPAV. 13003	2		WITH DCV ASSY.(IDA	

Sr.	Model	Item Code	Description	Qty	Int.	Remarks	Cut Off
						DCV)	
2	SOLIS-20	10053695AA	PIPE DCV TO QRC	1		WITH DCV ASSY.(IDA DCV)	
3	SOLIS-20	10052359BA	PIPE(DCV TO QRC)	1		WITH DCV ASSY.(IDA DCV)	
4	SOLIS-20	10024269AA	BANJO BOLT DIA16.4X28 (19TPI)	4		WITH DCV ASSY.(IDA DCV)	
5	SOLIS-20	10012585AB	BONDED SEAL FOR 3/8 BSP	8		WITH DCV ASSY.(IDA DCV)	
6	SOLIS-20	10053907AA	1DA DCV (NON-CONVERTIBLE)	1		WITH DCV ASSY.(IDA DCV)	
7	SOLIS-20	10052360AA	DCV LEVER	1		WITH DCV ASSY.(IDA DCV)	
8	SOLIS-20	10004846AB	KNOB (ROD ASSY / HANDLER PTO)	1		WITH DCV ASSY.(IDA DCV)	
9	SOLIS-20	10052356AB	SECONDARY PIPE FROM PUMP TO DCV	1		WITH DCV ASSY.(IDA DCV)	
10	SOLIS-20	10053839AA	PIPE FROM DCV TO LIFT	1		WITH DCV ASSY.(IDA DCV)	
11	SOLIS-20	20003896AA	BANJO BOLT M18x1.5 IS:3174-1974	1		WITH DCV ASSY.(IDA DCV)	
12	SOLIS-20	10012573AA	BONDED SEAL FOR M18	2		WITH DCV ASSY.(IDA DCV)	
13	SOLIS-20	10052355AB	DCV MTG. BKT.	1		WITH DCV ASSY.(IDA DCV)	
14	SOLIS-20	20003230AA	HEX BOLT M10*1.5*40 8-8 SA3NS	2		WITH DCV ASSY.(IDA DCV)	
15	SOLIS-20	04030400010	SPRING WASHER B-10	2		WITH DCV ASSY.(IDA DCV)	
16	SOLIS-20	20003285AB	HEX SCREW M8X1.25X30 8-8 SA2JS	2		WITH DCV ASSY.(IDA DCV)	
17	SOLIS-20	04030400008	SPRING WASHER B-8	2		WITH DCV ASSY.(IDA DCV)	
18	SOLIS-20	04041000008	HEX NYLOCK NUT M8*1.25	2		WITH DCV ASSY.(IDA DCV)	
1	SOLIS-20	10005406AB	FEMALE DUST PLUG-RED SPAV. 13002	2	YES		
6	SOLIS-20	10053907AB	1DA DCV (NON-CONVERTIBLE)	1	YES		
8	SOLIS-20	300007872A	KNOB (ROD ASSY / HANDLER PTO)	1	YES		
17	SOLIS-20	20005517AA	SPRING WASHER B-8 TYPE A IS: 3067-1972	2	YES		
9	SOLIS-20 EU FACELIFT (POWER STG.)	300143945A	SEC PIPE FROM STG. UNIT EF PORT TO DCVV	1			

10190A-1/1

TIPPING TRAILER ASSY,



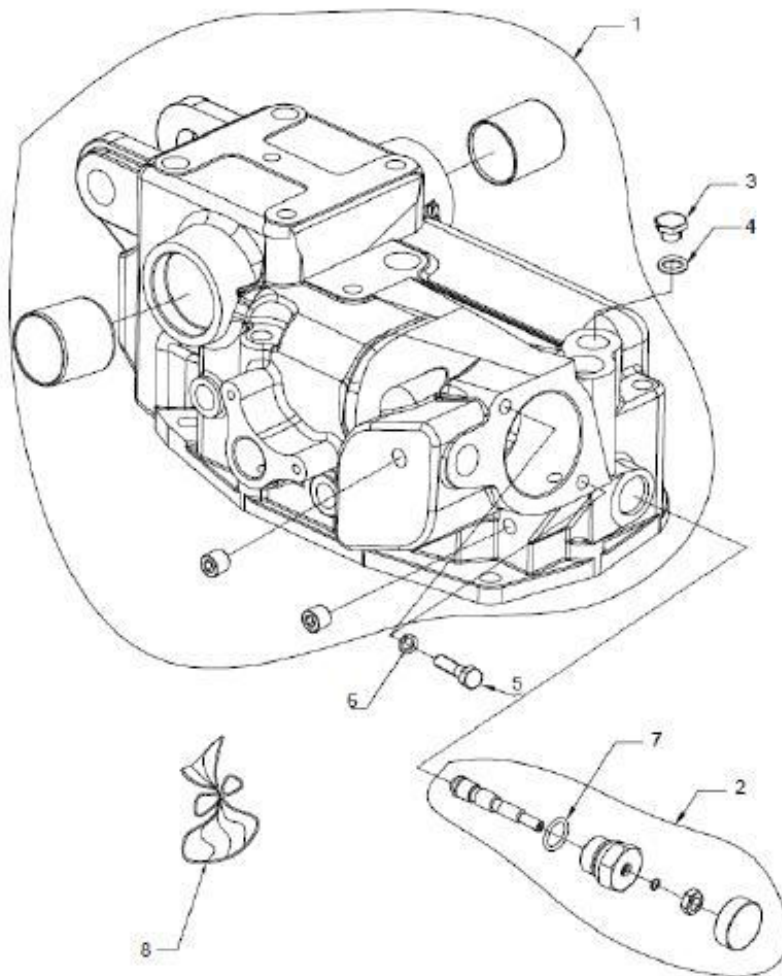
Sr.	Model	Item Code	Description	Qty	Int.	Remarks	Cut Off
1	DI-20 GT WITH TIPPING TRAILOR	10053147AC	MITA HYDRAULICS 500KG	1		TIPPING TRAILER IMPLEMENTATION IN GARDENTRAC MODELS FROM GMGSU486482G	
2	DI-20 GT WITH TIPPING TRAILOR	10053120AB	CLAMP ASSY	1		WITH TIPPING TRAILER IMPLEMENTATION IN GARDENTRAC MODELS FROM GMGSU486482G	

Sr.	Model	Item Code	Description	Qty	Int.	Remarks	Cut Off
3	DI-20 GT WITH TIPPING TRAILOR	10053118AB	BRACKET FOR QRC MOUNTING	1		WITH TIPPING TRAILER IMPLEMENTATION IN GARDENTRAC MODELS FROM GMGSU486482G	
4	DI-20 GT WITH TIPPING TRAILOR	10053119AB	FLEXIBLE PIPE FROM REAR COVER TO QRC	1		WITH TIPPING TRAILER IMPLEMENTATION IN GARDENTRAC MODELS FROM GMGSU486482G	
5	DI-20 GT WITH TIPPING TRAILOR	10081598AA	VIBRATION DAMPER	1		WITH TIPPING TRAILER IMPLEMENTATION IN GARDENTRAC MODELS FROM GMGSU486482G	
6	DI-20 GT WITH TIPPING TRAILOR	20003896AA	BANJO BOLT M18x1.5 IS:3174-1974	1		WITH TIPPING TRAILER IMPLEMENTATION IN GARDENTRAC MODELS FROM GMGSU486482G	
7	DI-20 GT WITH TIPPING TRAILOR	04032618022	SEALING WASHER DIA 18.2*DIA 22*1.5(CU)	2		WITH TIPPING TRAILER IMPLEMENTATION IN GARDENTRAC MODELS FROM GMGSU486482G	
8	DI-20 GT WITH TIPPING TRAILOR	10005409AB	FEMALE QUICK CONNECT COUPLING-1/2 BSP	1		WITH TIPPING TRAILER IMPLEMENTATION IN GARDENTRAC MODELS FROM GMGSU486482G	
9	DI-20 GT WITH TIPPING TRAILOR	20002017AA	HEX HEAD SCREW M10*40-10.9 SA2JS	1		WITH TIPPING TRAILER IMPLEMENTATION IN GARDENTRAC MODELS FROM GMGSU486482G	
10	DI-20 GT WITH TIPPING TRAILOR	10004984AA	PLASTIC STRAP	1		WITH TIPPING TRAILER IMPLEMENTATION IN	

Sr.	Model	Item Code	Description	Qty	Int.	Remarks	Cut Off
						GARDENTRAC MODELS FROM GMGSU486482 G	
11	DI-20 GT WITH TIPPING TRAILOR	20004592AA	SOCKET HEAD CAP SCREW M10X130 10.9 SA3NS	1		WITH TIPPING TRAILER IMPLEMENTATION IN GARDENTRAC MODELS FROM GMGSU486482 G	
12	DI-20 GT WITH TIPPING TRAILOR	10053952AA	STICKER FOR TIPPING TRAILER	1		WITH TIPPING TRAILER IMPLEMENTATION IN GARDENTRAC MODELS FROM GMGSU486482 G	
13	DI-20 GT WITH TIPPING TRAILOR	10005405AA	MALE QUICK CONNECT COUPLER-1/2 BSP	1		WITH TIPPING TRAILER IMPLEMENTATION IN GARDENTRAC MODELS FROM GMGSU486482 G	
14	DI-20 GT WITH TIPPING TRAILOR	10005406AA	FEMALE DUST PLUG-RED SPAV. 13002	1		WITH TIPPING TRAILER IMPLEMENTATION IN GARDENTRAC MODELS FROM GMGSU486482 G	
15	DI-20 GT WITH TIPPING TRAILOR	10005407AA	MALE DUST PLUG-YELLOW SPAV. 13003	1		WITH TIPPING TRAILER IMPLEMENTATION IN GARDENTRAC MODELS FROM GMGSU486482 G	
9	DI-20 GT WITH TIPPING TRAILOR	20002017AC	HEX HEAD SCREW M10*40-10.9 SA2JS	1	YES	WITH TIPPING TRAILER IMPLEMENTATION IN GARDENTRAC MODELS FROM GMGSU486482 G	BZDDF536447S 3
5	DI-20 GT WITH TIPPING TRAILOR	10081598AB	VIBRATION DAMPER	1	YES		
10	DI-20 GT WITH TIPPING TRAILOR	10004984AB	PLASTIC STRAP	1	YES		
14	DI-20 GT WITH TIPPING TRAILOR	10005406AB	FEMALE DUST PLUG-RED SPAV. 13002	1	YES		

10191A-1/1

TIPPING TRAILER ASSY,

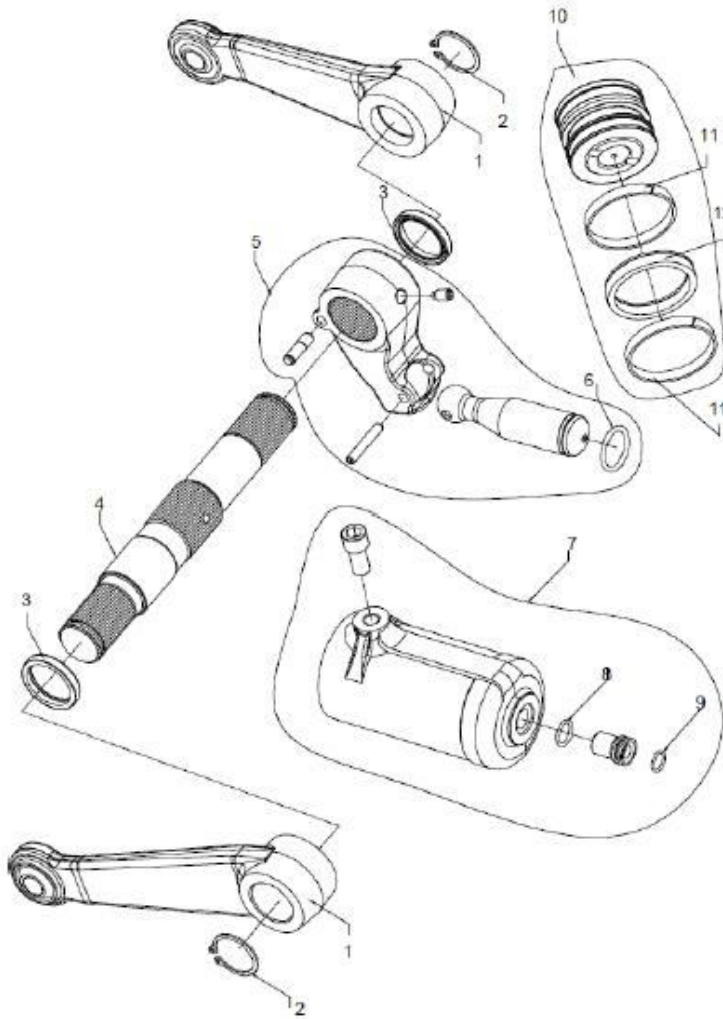


Sr.	Model	Item Code	Description	Qty	Int.	Remarks	Cut Off
1	DI-20 GT WITH TIPPING TRAILOR	10056485AA	LIFT BODY ASSEMBLY	1		CHILD PART OF 10053147AC	
2	DI-20 GT WITH TIPPING TRAILOR	10056486AA	PRESELECTOR SUB ASSEMBLY	1		CHILD PART OF 10053147AC	
3	DI-20 GT WITH TIPPING TRAILOR	10056487AA	PLUG	1		CHILD PART OF 10053147AC	
4	DI-20 GT WITH TIPPING TRAILOR	10052858AA	COPPER WASHER	1	APN Servi ceabl e as high er Assy 1005 1983	CHILD PART OF 10053147AC	

Sr.	Model	Item Code	Description	Qty	Int.	Remarks	Cut Off
					AA		
5	DI-20 GT WITH TIPPING TRAILOR	10051985AA	SCREW M8*35 DIN 931-8G	2		CHILD PART OF 10053147AC	
6	DI-20 GT WITH TIPPING TRAILOR	10051984AA	GROWER D=8.1 DIN 7980-ZINC	2		CHILD PART OF 10053147AC	
7	DI-20 GT WITH TIPPING TRAILOR	10056488AA	O RING	1		CHILD PART OF 10053147AC	
8	DI-20 GT WITH TIPPING TRAILOR	10056489AA	ROCKSHAFT SEAL KIT	1		CHILD PART OF 10053147AC	

10192A-1/1

CYLINDER ASSY.

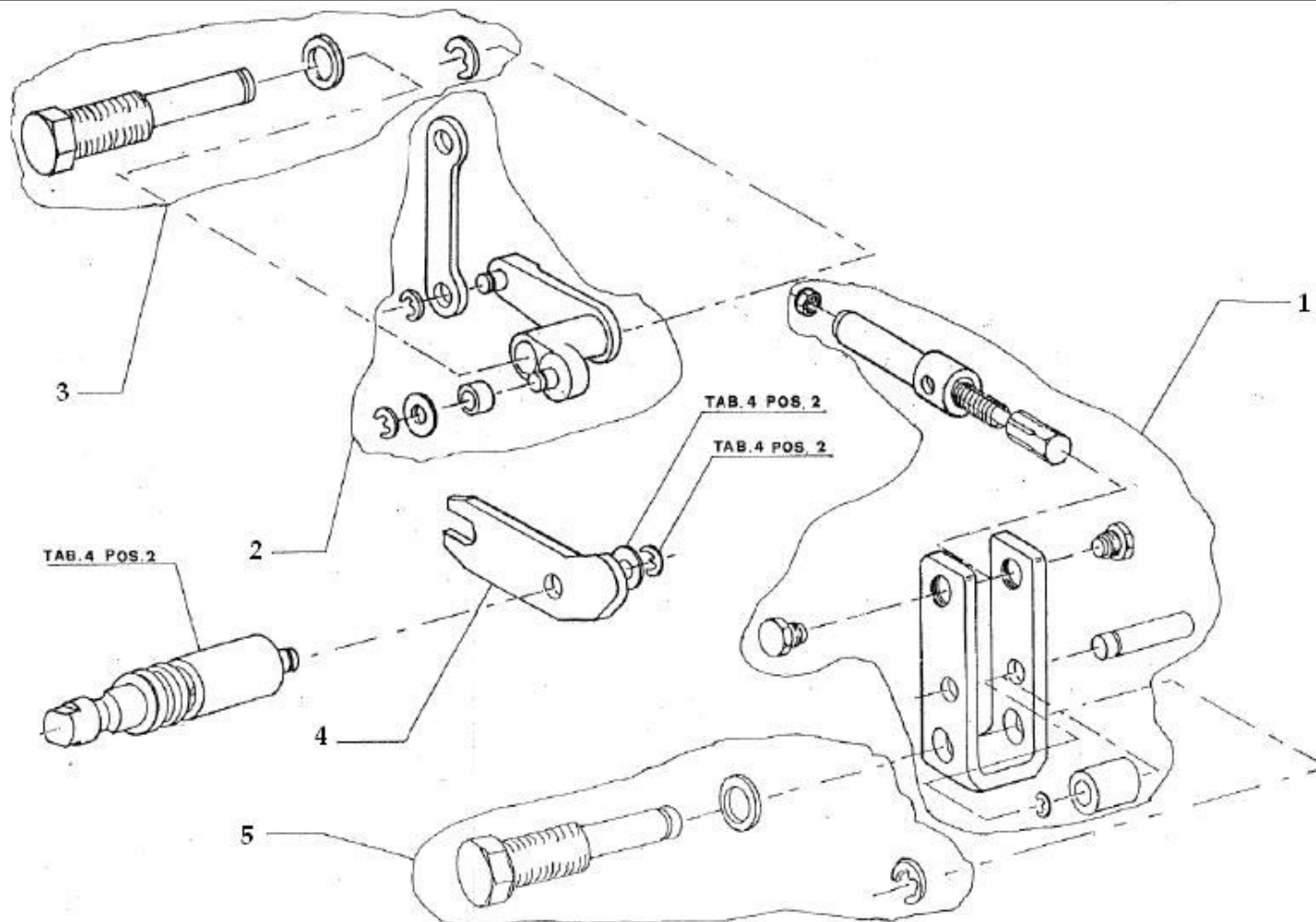


Sr.	Model	Item Code	Description	Qty	Int.	Remarks	Cut Off
1	DI-20 GT WITH TIPPING TRAILOR	10051992AA	ARM	2		CHILD PART OF 10053147AC	
2	DI-20 GT WITH TIPPING TRAILOR	10051993AA	CIRCLIP E34 UNI 7435 90	2		CHILD PART OF 10053147AC	
3	DI-20 GT WITH TIPPING TRAILOR	10051994AA	ARM SEAL 35/45*7	2		CHILD PART OF 10053147AC	
4	DI-20 GT WITH TIPPING TRAILOR	10051995AA	MAIN SHAFT	1		CHILD PART OF 10053147AC	
5	DI-20 GT WITH TIPPING TRAILOR	10051996AA	KIT CRANK	1		CHILD PART OF 10053147AC	
6	DI-20 GT WITH TIPPING TRAILOR	10051999AA	O RING	1		CHILD PART OF 10053147AC	

Sr.	Model	Item Code	Description	Qty	Int.	Remarks	Cut Off
7	DI-20 GT WITH TIPPING TRAILOR	10056490AA	KIT CYLINDER	1		CHILD PART OF 10053147AC	
8	DI-20 GT WITH TIPPING TRAILOR	10051998AA	O RING	1		CHILD PART OF 10053147AC	
9	DI-20 GT WITH TIPPING TRAILOR	10056491AA	O RING	1		CHILD PART OF 10053147AC	
10	DI-20 GT WITH TIPPING TRAILOR	10052000AA	KIT PISTON	1		CHILD PART OF 10053147AC	
11	DI-20 GT WITH TIPPING TRAILOR	10052002AA	PISTON GUIDE RING	2		CHILD PART OF 10053147AC	
12	DI-20 GT WITH TIPPING TRAILOR	10052001AA	PISTON SEALB255216/1/D	1		CHILD PART OF 10053147AC	

10193A-1/1

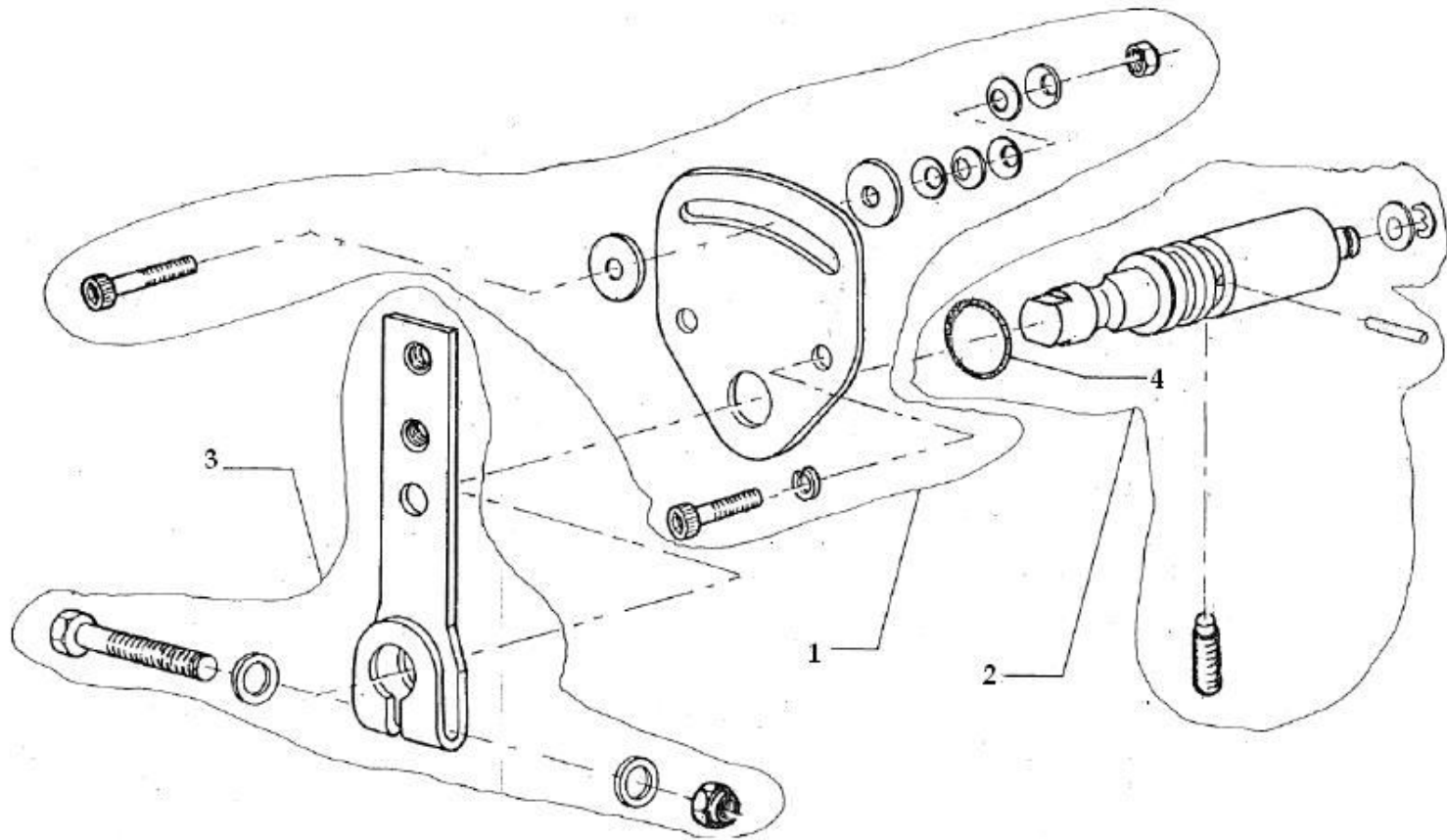
INTERNAL LEVER ASSY.



Sr.	Model	Item Code	Description	Qty	Int.	Remarks	Cut Off
1	DI-20 GT WITH TIPPING TRAILOR	10052007AA	KIT LEVER	1		CHILD PART OF 10053147AC	
2	DI-20 GT WITH TIPPING TRAILOR	10052008AA	KIT COPENSATOR	1		CHILD PART OF 10053147AC	
3	DI-20 GT WITH TIPPING TRAILOR	10052009AA	KIT PIN	1		CHILD PART OF 10053147AC	
4	DI-20 GT WITH TIPPING TRAILOR	10052010AA	LEVER	1		CHILD PART OF 10053147AC	
5	DI-20 GT WITH TIPPING TRAILOR	10052011AA	KIT PIN	1		CHILD PART OF 10053147AC	

10194A-1/1

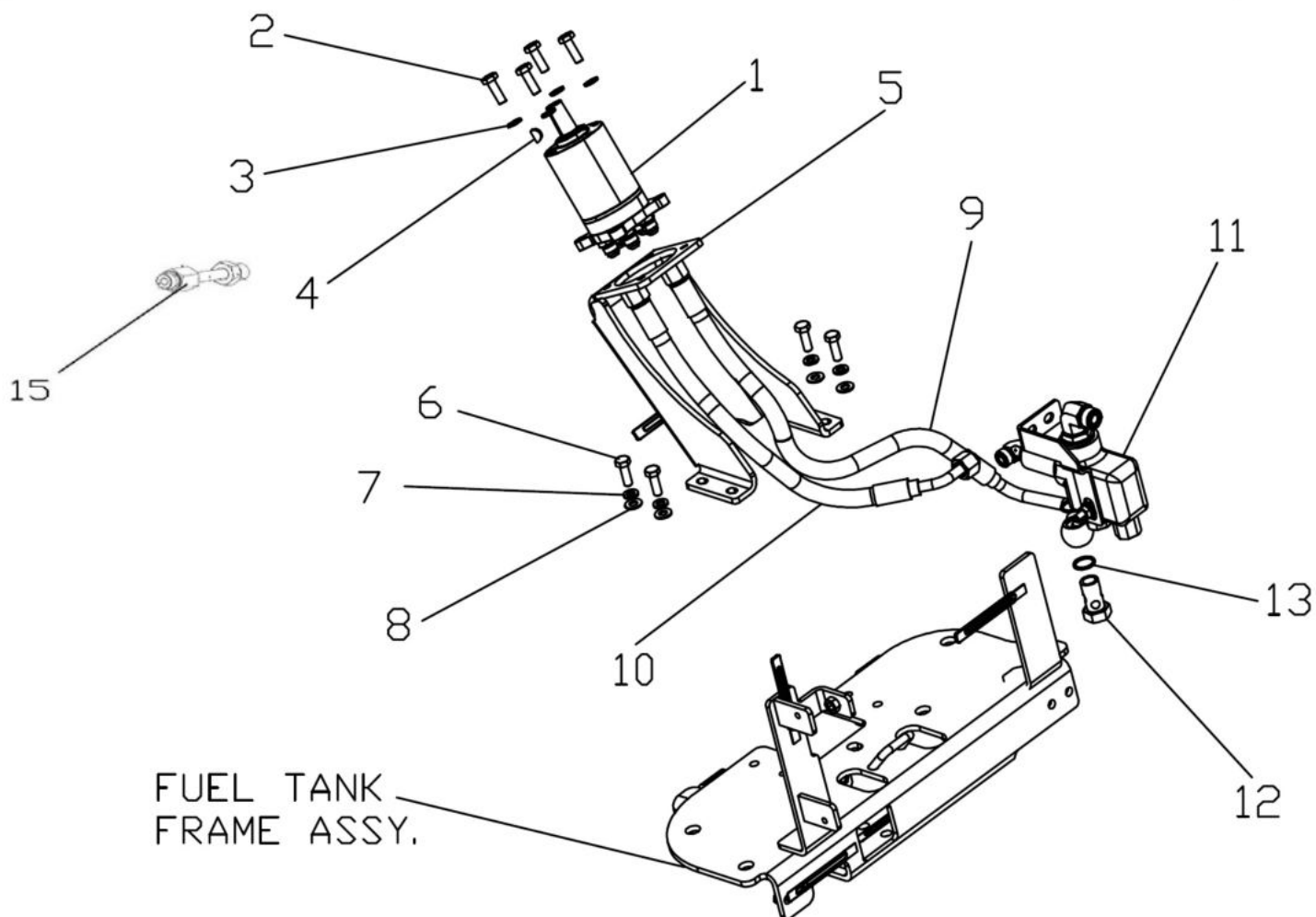
COMMAND LEVER ASSY.



Sr.	Model	Item Code	Description	Qty	Int.	Remarks	Cut Off
2	DI-20 GT WITH TIPPING TRAILOR	10052004AA	KIT CAMSHAFT	1		CHILD PART OF 10053147AC	
1	DI-20 GT WITH TIPPING TRAILOR	10052003AA	KIT QUADRANT WITH FRICTION	1		CHILD PART OF 10053147AC	
3	DI-20 GT WITH TIPPING TRAILOR	10052005AA	KIT POSITION LEVER	1		CHILD PART OF 10053147AC	
4	DI-20 GT WITH TIPPING TRAILOR	10052006AA	ENCL IN SEAL KIT	1		CHILD PART OF 10053147AC	

10200A-1/1

STEERING UNIT ASSY.

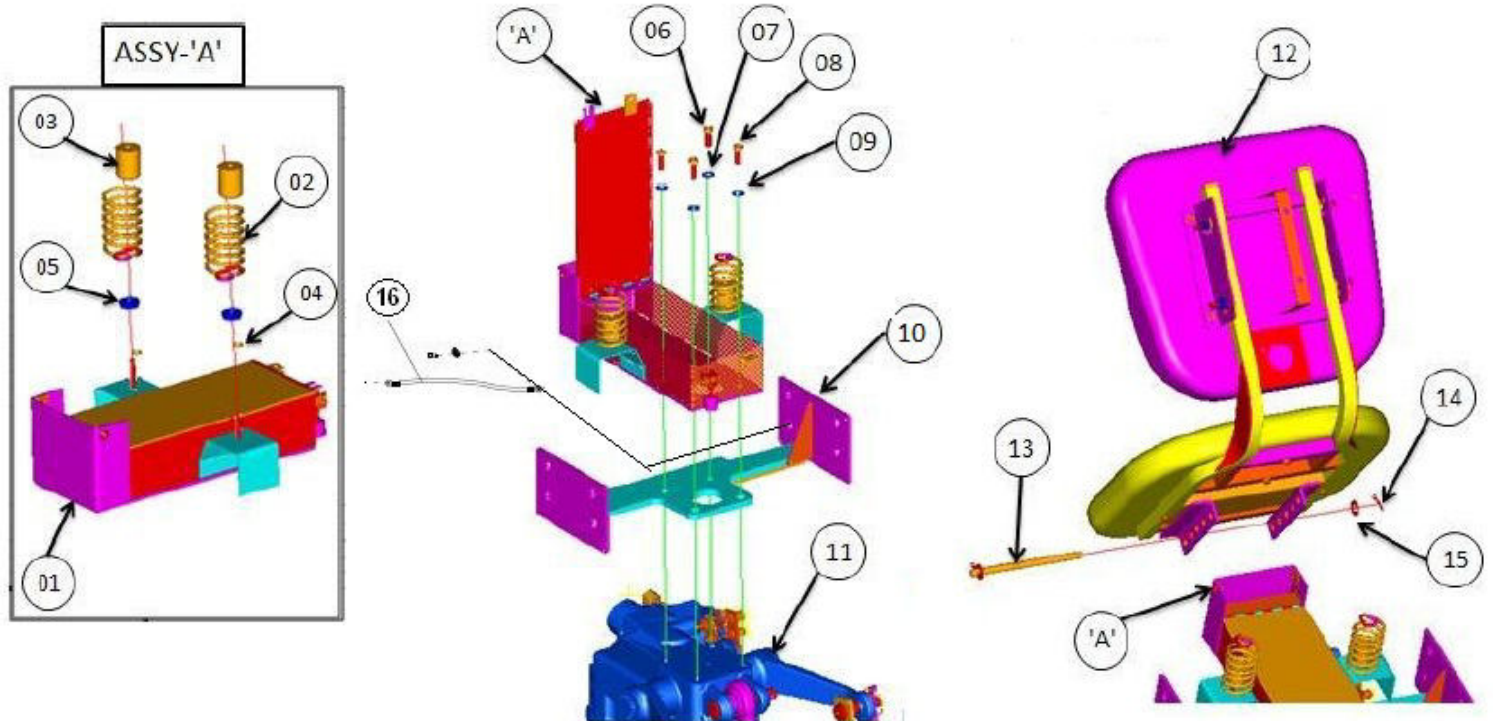


Sr.	Model	Item Code	Description	Qty	Int.	Remarks	Cut Off
1	ALL MODELS	10052960AE	STEERING UNIT 40CC	1			
2	ALL MODELS	20005564AA	HEX HEAD SCREW M8X1.25-25 -8.8 SA4GS	4			
3	ALL MODELS	04030400008	SPRING WASHER B-8	4			
4	ALL MODELS	10053083AA	WOODRUF KEY	1			
5	ALL MODELS	10053305AE	STEERING UNIT MOUNTING BRACKET	1			
6	ALL MODELS	20005564AA	HEX HEAD SCREW M8X1.25-25 -8.8 SA4GS	4			
7	ALL MODELS	04030400008	SPRING WASHER B-8	4			
8	ALL MODELS	04030600008	plain washer DIA 8.4 *DIA 17*1.6	4			

Sr.	Model	Item Code	Description	Qty	Int.	Remarks	Cut Off
9	ALL MODELS	300172046A	FLEXIBLE PIPE FROM P.V CF TO STG. UNIT P	1			
10	ALL MODELS	300171896B	FELXIBLE PIPE FROM P.V. TO PORT E	1			
11	ALL MODELS	10053068AA	PRIORITY VALVE	1			
12	ALL MODELS	20003896AA	BANJO BOLT M18x1.5 IS:3174-1974	1			
12	ALL MODELS	20005628AA	BENJO BOLT M18X1.5 IS:3174-1974	1			
13	ALL MODELS	10012573AA	BONDED SEAL FOR M18	2			
15	ALL MODELS	300171952A	SEC. PIPE FROM PV TO STG. UNIT PORT E	1			

11110A-1/1

FENDOR SUPPORT BAR, TOOL BOX & SEAT ASSY



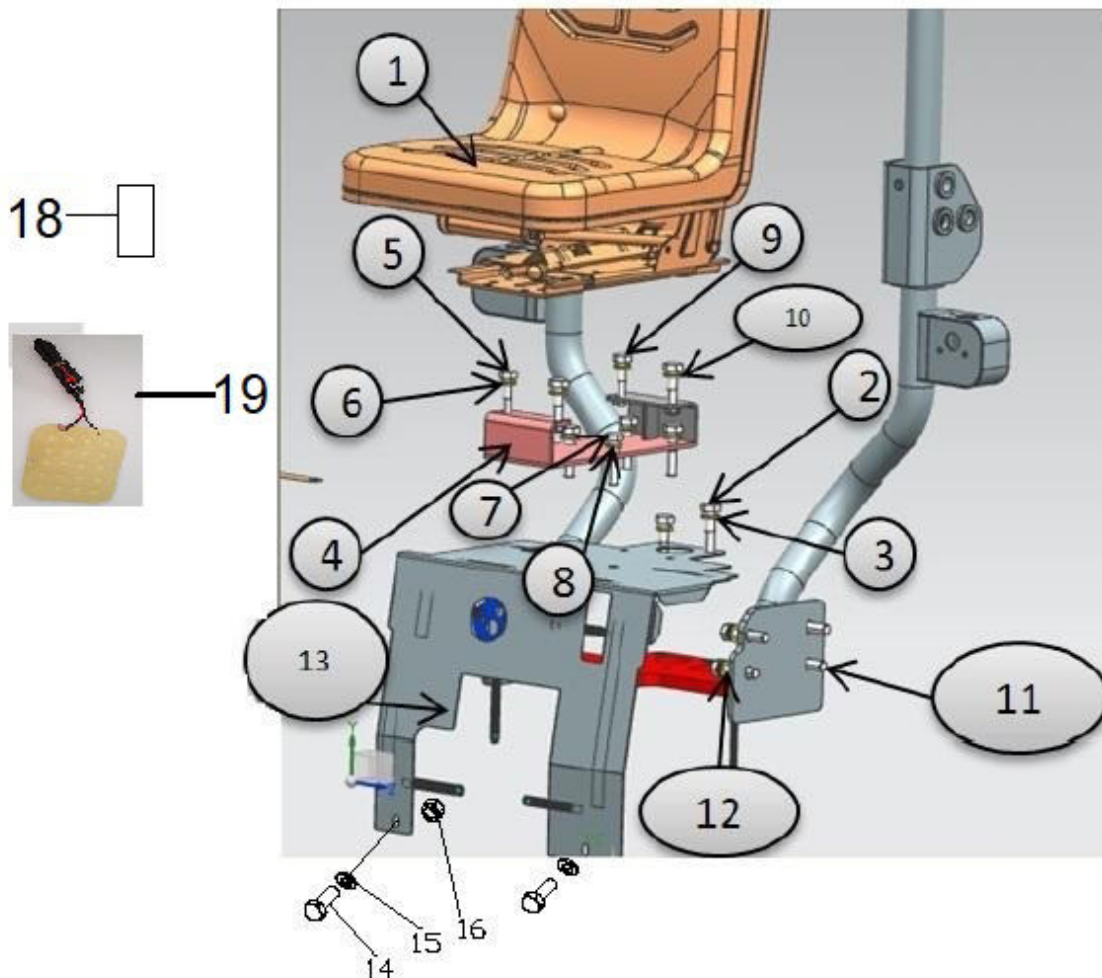
Sr.	Model	Item Code	Description	Qty	Int.	Remarks	Cut Off
7	DI-20 GT WITH MITA LIFT WITHOUT TIPPING TRAILER	20005520AA	SPRING WASHER B-14 TYPE A IS: 3067-1972	2			
9	ALL MODELS	20005520AA	SPRING WASHER B-14 TYPE A IS: 3067-1972	2			
11	DI-20 GT WITH MITA LIFT WITHOUT TIPPING TRAILER	10051219BB	MITA HYDRAULICS 500KG	1	YES		MEMRMKSNSB LH09295
12	ALL MODELS	10051877AC	DRIVER SEAT ASSSY. (GT)	1	YES		MMGSV333460 G
11	ALL MODELS	10051219AC	MITA HYDRAULIC 500KG	1	YES		KMGSV375952G
15	ALL MODELS	04030800012	M CD WASHER DIA 13 *DIA 24*2.5	2		INTERCHANGEABLE WITH 20004940AB (ROHS)	

Sr.	Model	Item Code	Description	Qty	Int.	Remarks	Cut Off
6	ALL MODELS	20002015AB	HEX HEAD SCREW M10x1.5x25 8-8 SA2JS	2			
6	DI-20 GT EXCEPT ADDC OPTION	20002017AC	HEX. SCREW M10 X 40	2	NO		AMGSF549244G
8	DI-20 GT EXCEPT ADDC OPTION	20003788AA	HEX BOLT M14 X 2 X 50 SA2JS	2	NO	WITH 10051126BB	AMGSF549244G
10	DI-20 GT EXCEPT ADDC OPTION	10051126BB	FENDER SUPPORT BAR ASSY	1	YES		AMGSF549244G
16	DI-20 GT, DI-20 GT (NEPAL,CHILE,ALGERIA), SOLIS 20(UGANDA)	10037634AA	EARTHING WIRE TRAILER SOCKET	1		NEW PART ADDED FROM	AMGSF550206G
13	ALL MODELS	10051169AB	DRIVER SEAT MTG PIN	1	YES		MMGSE399955G
1	ALL MODELS	10051170BE	TOOL BOX ASSY	1	YES		AMGSE406596G
11	DI-20 GT WITH TIPPING TRAILER (WITHOUT DCV OPTION)	10053147AC	MITA HYDRAULICS 500KG	1	NO	WITH TIPPING TRAILER IMPLEMENTATION IN GARDENTRAC (WITHOUT DCV OPTION)	GMGSU486482G
1	DI-20 GT WITH MITA LIFT WITHOUT TIPPING TRAILER	10051170CA	TOOL BOX ASSY	1	NO		MEMMGST639247G
6	DI-20 GT WITH MITA LIFT WITHOUT TIPPING TRAILER	20002016AB	Hex. head screw M10 x 1.5 x 30 8-8 SA2JS	2		INTERCHANGEABLE WITH 20005562AA (ROHS)	
6	DI-20 GT WITH MITA LIFT WITHOUT TIPPING TRAILER	04041114040	HEX SCREW M14*40	2	NO		MEMMGST639247G
7	DI-20 GT WITH MITA LIFT WITHOUT TIPPING TRAILER	04030400014	SPRING WASHER B-14	2	NO	INTERCHANGEABLE WITH 20005520AA (ROHS)	MEMMGST639247G
10	DI-20 GT WITH MITA LIFT WITHOUT TIPPING TRAILER	10051126CA	FENDER SUPPORT BAR ASSY	1	NO		MEMMGST639247G
17	DI-20 GT WITH MITA LIFT WITHOUT TIPPING TRAILER	04030900014	M/CD WASHER DIA 15 *DIA 27*2.5	2		NEW PART ADDED WITH 10051126CA FROM	MEMMGST639247G
11	ALL MODELS	10051219AB	MITA HYDRAULIC 500KG	1	YES		EMGSD297771G
11	DI-20 GT WITH MITA LIFT WITHOUT TIPPING TRAILER	10051219BA	MITA HYDRAULIC 500KG	1	NO	PART MODIFIED FROM 10051219AC	MEMMGST639247G
1	ALL MODELS	10051170BD	TOOL BOX ASSY	1			
2	ALL MODELS	10051329AA	SPRING FOR DRIVER SEAT	2			
3	ALL MODELS	10051289AA	RUBBER PAD FOR SPRING	2			
4	ALL MODELS	20004090AA	PUNCHED WASHER M8	2			
5	ALL MODELS	04040800008	HEX NUT M8X1.25-8SA2JS	2		INTERCHANGEABLE WITH 20005504AA (ROHS)	
6	ALL MODELS	20003278AC	HEX HEAD SCREW M10 x 1.5 x 30 8-8 SA2JS	2			
7	ALL MODELS	04030400010	SPRING WASHER B-10	2			

Sr.	Model	Item Code	Description	Qty	Int.	Remarks	Cut Off
8	ALL MODELS	04041114040	HEX HEAD BOLT M14X35	2		WITH 10051126BA	
9	ALL MODELS	04030400014	SPRING WASHER B-14	2		INTERCHANGE ABLE WITH 20005520AA (ROHS)	
10	ALL MODELS	10051126BA	FENDER SUPPORT BAR ASSY	1			
11	ALL MODELS	10051219AA	MITA HYDRAULIC 500KG	1			
12	ALL MODELS	10051877AB	DRIVER SEAT ASSSY. (GT)	1			
12	ALL MODELS	10051877BA	DRIVER SEAT ASSSY. (GT)	1	YES		KMGSV377050G
13	ALL MODELS	10051169AA	DRIVER SEAT MTG PIN	1			
14	ALL MODELS	20002461AA	BEATA PIN	2		INTERCHANGE ABLE WITH 10087903AA (ROHS)	
5	ALL MODELS	20005504AA	HEX NUT M8X1.25 -8 SA4GS	2	YES		
8	DI-20 GT EXCEPT ADDC OPTION	20005495AA	HEX BOLT M14X2X50 SA4GS	2	YES		
14	ALL MODELS	10087903AA	BEATA PIN	2	YES		
15	ALL MODELS	20004940AB	M/C WASHER DIA 13*DIA 24*2.5	2	YES		

11120A-1/1

DRIVER SEAT ASSY



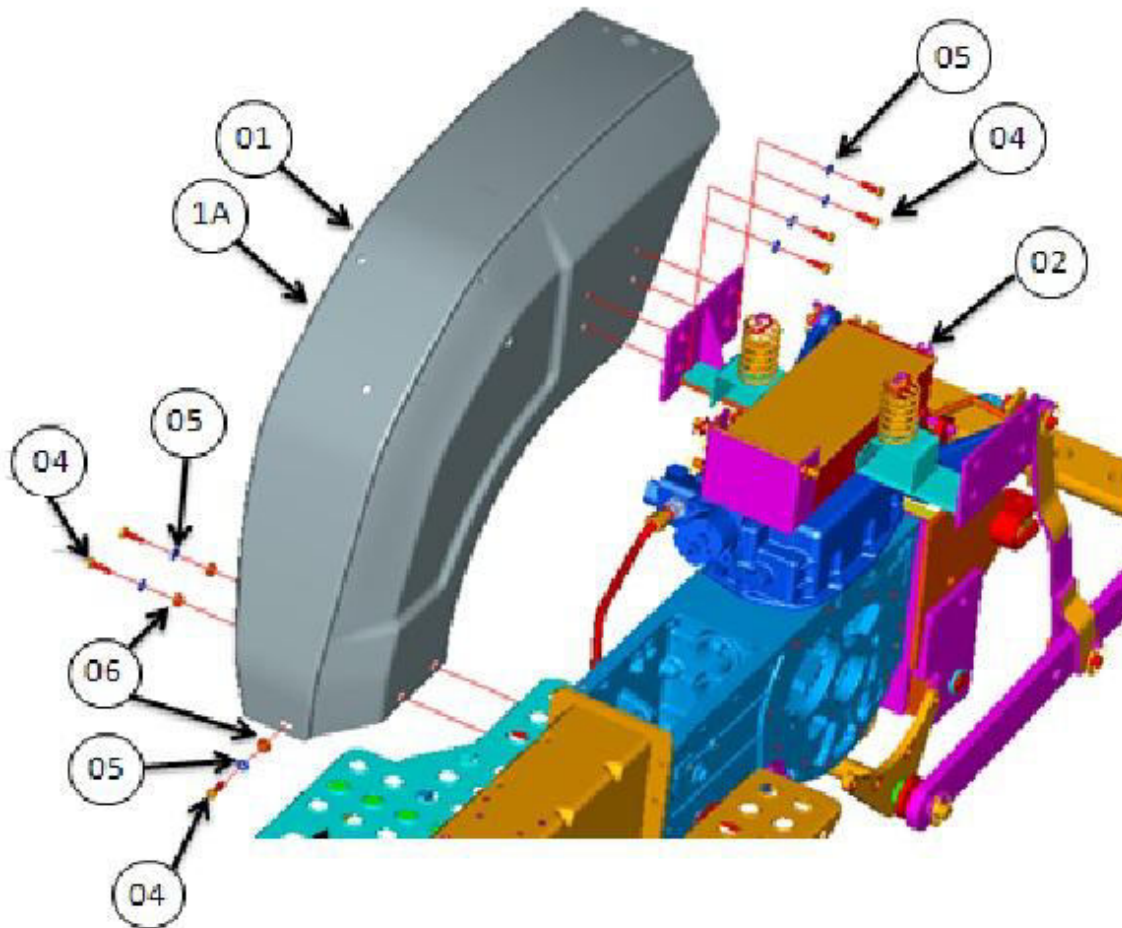
Sr.	Model	Item Code	Description	Qty	Int.	Remarks	Cut Off
3	ALL MODELS	20005520AA	SPRING WASHER B-14 TYPE A IS: 3067-1972	2			
6	SOLIS-20 WITH MITA LIFT WITHOUT TIPPING TRAILER	20005520AA	SPRING WASHER B-14 TYPE A IS: 3067-1972	2			
1	ALL MODELS EXCEPT SOLIS-20 FACELIFT	10052753AC	DRIVER SEAT	1			
1	SOLIS-20 EU MODELS EXCEPT FACELIFT	10052753AC	DRIVER SEAT	1			
1	SOLIS-20 NON EU MODELS EXCEPT TURKEY	10052753AC	DRIVER SEAT	1			
2	ALL MODELS	20005552AA	HEX SCREW M14X2X40	2			
11	ALL MODELS	20005584AA	HEX HEAD SCREW M10X40-Z 8.8 SA4GS	8			

Sr.	Model	Item Code	Description	Qty	Int.	Remarks	Cut Off
18	ALL MODELS WITH 10052753AB	300178967A	SEAT BELT_10052753AB	1			
19	SOLIS-20 FACELIFT	300172280A	OPS Seat Safety Switch_SS01175	1			
16	ALL MODELS	20003357AF	HEX NUT M10 -8 SA4GS	2	YES	interchange with 20003357AB	FOR NON EU MODELS- JZNSS869101S M FOR EU MODELS- MEMRZGTNEJK H07194
1	SOLIS-20 EU MODELS EXCEPT FACELIFT	10052753AB	DRIVER SEAT	1	YES	INTERCHANGEABLE WITH 10052753AC (ROHS)	MEMEMGST660 692G
1	ALL MODELS EXCEPT SOLIS-20 FACELIFT	10052753AB	DRIVER SEAT	1	YES	INTERCHANGEABLE WITH 10052753AC (ROHS)	MEMDMGSE449 477G
1	ALL MODELS EXCEPT SOLIS-20 FACELIFT	10052753AA	DRIVER SEAT	1			
2	ALL MODELS	20004587AA	HEX SCREW M14X2X40- 10.9-SA2JS	2			
3	ALL MODELS	04030400014	SPRING WASHER B-14	2		INTERCHANGEABLE WITH 20005520AA (ROHS)	
4	ALL MODELS	10053089AA	SEAT MTG BKT	1			
5	ALL MODELS	20003239AA	Hex screw M10x40 8-8 SA3NS	4		INTERCHANGEABLE WITH 20005584AA (ROHS)	
6	ALL MODELS	04030400010	SPRING WASHER B-10	4			
7	ALL MODELS	20003244AB	Hex screw M12x1.75x35 8-8 SA3NS	2			
8	ALL MODELS	04030400012	SPRING WASHER B-12	2			
9	ALL MODELS	20004367AA	HEX SCREW M10X1.25X40 8-8 SA2JS	2		INTERCHANGEABLE WITH 20005584AA (ROHS)	
10	ALL MODELS	04030400010	SPRING WASHER B-10	2			
11	ALL MODELS	20003238AA	Hex screw M10x35 8-8 SA3NS	8			
12	ALL MODELS	04030400010	SPRING WASHER B-10	8			
13	ALL MODELS EXCEPT SOLIS-20 FACELIFT	10052335AF	REAR FLOOR ASSY	1			
14	ALL MODELS	20002015AB	Hex. head screw M10 x 1.5 x 25 8-8 SA2JS	2			
15	ALL MODELS	04030400010	SPRING WASHER B-10	2			
16	ALL MODELS	20003357AB	HEX NUT M10 -8 SA2JS	2		INTERCHANGEABLE WITH 20005503AA (ROHS)	
1	SOLIS-20 EXCEPT FACELIFT	10057105AA	STAR DRIVER SEAT	1	YES		MEMMGST638 052G
4	SOLIS 20 WITH MITA LIFT WITHOUT TIPPING TRAILER	10053089BA	SEAT MTG BKT	1	NO		MEMMGST639 247G

Sr.	Model	Item Code	Description	Qty	Int.	Remarks	Cut Off
13	SOLIS 20 WITH MITA LIFT WITHOUT TIPPING TRAILER EXCEPT FACELIFT	10052335BA	REAR FLOOR ASSY	1	NO		MEMGMGST639 247G
5	SOLIS-20 WITH MITA LIFT WITHOUT TIPPING TRAILER	04041114040	HEX SCREW M14*40	2	NO		MEMGMGST639 247G
6	SOLIS-20 WITH MITA LIFT WITHOUT TIPPING TRAILER	04030400014	SPRING WASHER B-14	2	NO	INTERCHANGEABLE WITH 20005520AA (ROHS)	MEMGMGST639 247G
17	SOLIS-20 WITH MITA LIFT WITHOUT TIPPING TRAILER	04030900014	M/CD WASHER DIA 15 *DIA 27*2.5	2		NEW PART ADDED WITH 10052335BA FROM	MEMGMGST639 247G
13	ALL MODELS EXCEPT SOLIS-20 FACELIFT	10052335AH	REAR FLOOR ASSY	1			
4	ALL MODELS	10053089AB	SEAT MTG BKT	1	YES		MEMBMGSF539 927G
2	ALL MODELS	20004587AC	HEX SCREW M14X2X40- 10.9-SA2JS	2	YES	INTERCHANGEABLE WITH 20005552AA (ROHS)	MEMBMKSF541 727G26
11	ALL MODELS	20003238AB	Hex screw M10x35 8-8 SA3NS	8	YES		MYJSF543803G 22, MEMMZKFF544 053W
5	ALL MODELS	20003239AB	HEX SCREW M 10x40 8-8 SA3NS	4	YES		MYJSF543803G 22, MEMMZKFF544 053W
1	SOLIS-20 FACELIFT	300008020A	DRIVER SEAT	1			
13	SOLIS-20 FACELIFT	300033786B	REAR FLOOR ASSY	1			
4	ALL MODELS	300036878A	DRIVER SEAT MTG. BKT	1	Yes		MEMRMGSNSA JH00760
5	ALL MODELS	20004362AA	HEX SCREW M10X20 8.8 (SA2JS)	4	Yes	INTERCHANGEABLE WITH 20005585AA (ROHS)	MEMRMGSNSA JH00760
1	SOLIS-20 NON EU MODELS EXCEPT TURKEY	10052753AB	DRIVER SEAT	1		INTERCHANGEABLE WITH 10052753AC (ROHS)	
1	SOLIS-20 NON EU MODELS EXCEPT TURKEY	10057105AA	STAR DRIVER SEAT	1	YES		MMKSS826879G 26
1	SOLIS-20 EU FACELIFT (POWER STG.)	300182061A	SUKATA DRIVER SEAT WITH OPS	1			
7	SOLIS-20 EU FACELIFT (POWER STG.)	20003992AC	HEX BOLT M12X1.75X35	2			
9	SOLIS-20 EU FACELIFT (POWER STG.)	20004367AB	HEX SCREW M10X1.25X40 8-8 SA4GS	2			
11	SOLIS-20 EU FACELIFT (POWER STG.)	20005544AA	HEX BOLT M10X1.5X40 SA4GS	8			
14	SOLIS-20 EU FACELIFT (POWER STG.)	20005553AA	HEX HEAD SCREW M10X1.5X25 SA4GS	2			
17	SOLIS-20 EU FACELIFT (POWER STG.)	20005036AB	M/C WASHER DIA 15*DIA 27*2.5	2			

12110A-1/1

FENDERS

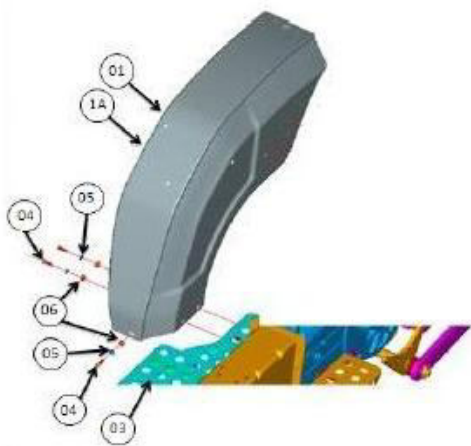
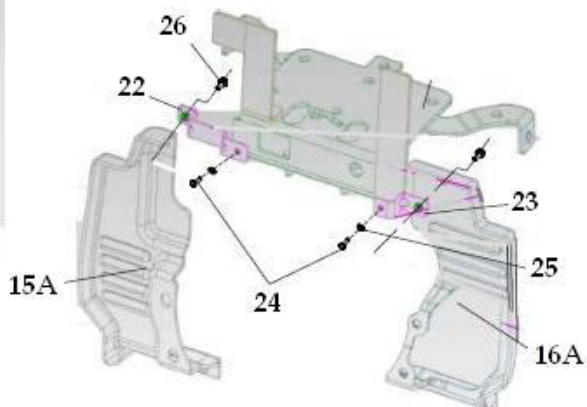
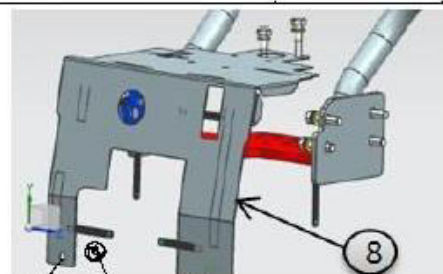
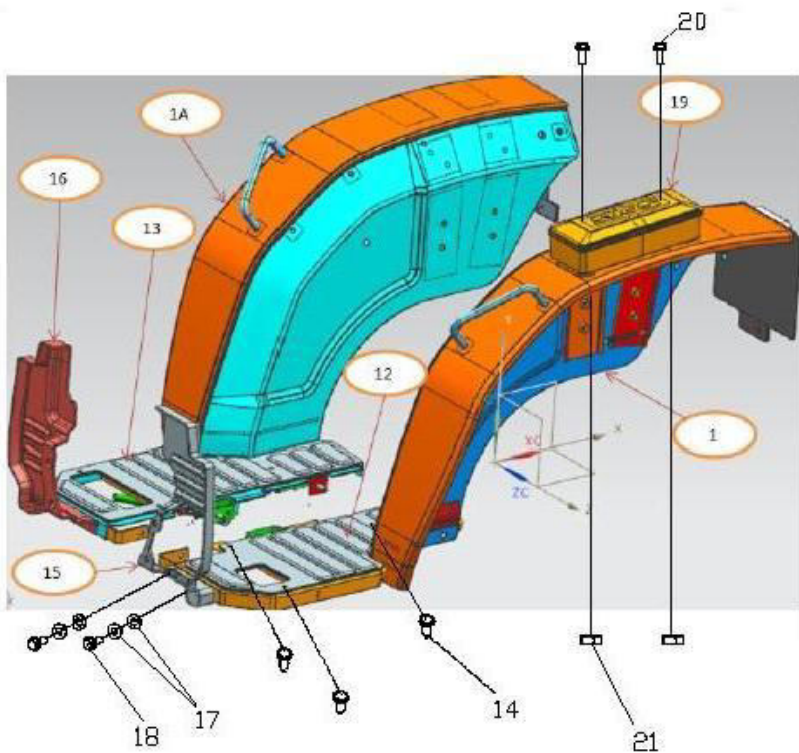


Sr.	Model	Item Code	Description	Qty	Int.	Remarks	Cut Off
5	DI-20 GT WITH MITA LIFT WITHOUT TIPPING TRAILER	20005520AA	SPRING WASHER B-14 TYPE A IS: 3067-1972	2			
6	ALL MODELS	20003357AF	HEX NUT M10 -8 SA4GS	6	YES	interchange with 20003357AB	FOR NON EU MODELS- JZNSS869101S M FOR EU MODELS- MEMRZGTNEJK H07194
1A	ALL MODELS	10051117AJ	FENDER ASSY RH	1	YES		AMGSE406596G
2	ALL MODELS	10051170BE	TOOL BOX ASSY	1	YES		AMGSE406596G
2	DI-20 GT WITH MITA LIFT WITHOUT TIPPING	10051170CA	TOOL BOX ASSY	1	NO		MEMGMGST639

Sr.	Model	Item Code	Description	Qty	Int.	Remarks	Cut Off
	TRAILER						247G
4	DI-20 GT WITH MITA LIFT WITHOUT TIPPING TRAILER	04041114040	HEX SCREW M14*40	2	NO		MEMGMSGST639 247G
5	DI-20 GT WITH MITA LIFT WITHOUT TIPPING TRAILER	04030400014	SPRING WASHER B-14	2	NO	INTERCHANGEABLE WITH 20005520AA (ROHS)	MEMGMSGST639 247G
8	DI-20 GT WITH MITA LIFT WITHOUT TIPPING TRAILER	04030900014	M/CD WASHER DIA 15 *DIA 27*2.5	2		NEW PART ADDED WITH 10051126CA FROM	MEMGMSGST639 247G
1	ALL MODELS	10051120AE	FENDER ASSY LH	1			
1A	ALL MODELS	10051117AH	FENDER ASSY RH	1			
2	ALL MODELS	10051170BD	TOOL BOX ASSY	1			
4	ALL MODELS	20002016AB	Hex. head screw M10 x 1.5 x 30 8-8 SA2JS	14		INTERCHANGEABLE WITH 20005562AA (ROHS)	
5	ALL MODELS	04030400010	SPRING WASHER B-10	14			
6	ALL MODELS	20003357AB	HEX NUT M10 -8 SA2JS	6		INTERCHANGEABLE WITH 20005503AA (ROHS)	
7	ALL MODELS	10070279AA	FLEXIBLE CLAMP	12	NOT SHOWN	SUB. PART OF FENDERASSY.	

12111A-1/1

FENDERS & FLOOR ASSY.



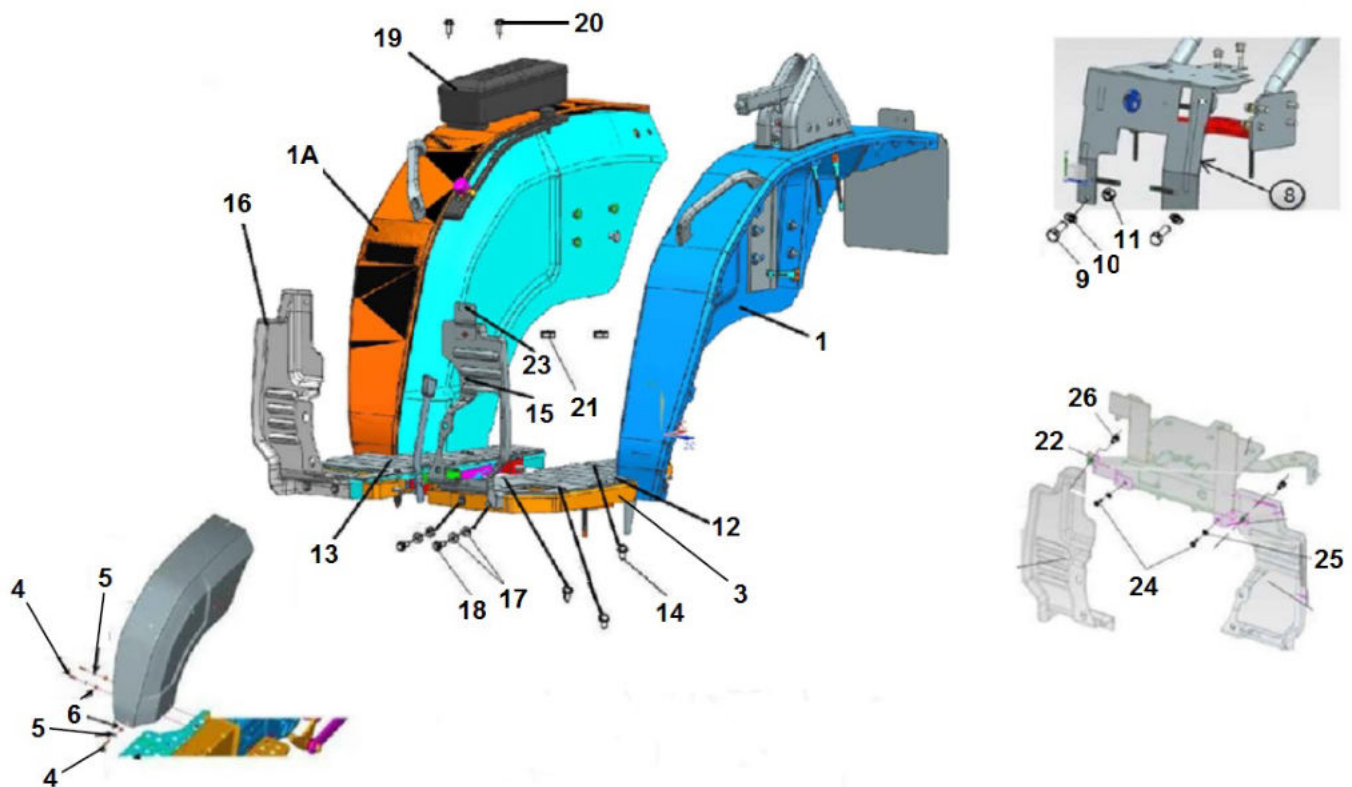
Sr.	Model	Item Code	Description	Qty	Int.	Remarks	Cut Off
6	SOLIS-20	20003357AF	HEX NUT M10 -8 SA4GS	06	YES	interchange with 20003357AB	FOR NON EU MODELS- JZNSS869101S M FOR EU MODELS- MEMRZGTNEJK H07194
11	SOLIS-20	20003357AF	HEX NUT M10 -8 SA4GS	2	YES	interchange with 20003357AB	FOR NON EU MODELS- JZNSS869101S M FOR EU MODELS- MEMRZGTNEJK H07194

Sr.	Model	Item Code	Description	Qty	Int.	Remarks	Cut Off
3	SOLIS-20	10051123AF	FLOOR ASSY RH	01			
1	SOLIS-20 WITHOUT TRUF TYRE	10051881AF	FENDER ASSY LH HOMOLOGATION (WITHOUT PAINT)	1			
1	SOLIS-20 WITH TRUF TYRE	10054538AA	FENDER ASSY -LH W/O PAINT	1			
3	SOLIS-20	10051124AE	FLOOR ASSY LH	01			
4	SOLIS-20	20002016AB	Hex. head screw M10 x 1.5 x 30 8-8 SA2JS	14		INTERCHANGEABLE WITH 20005562AA (ROHS)	
5	SOLIS-20	04030400010	SPRING WASHER B-10	14			
6	SOLIS-20	20003357AB	HEX NUT M10 -8 SA2JS	06		INTERCHANGEABLE WITH 20005503AA (ROHS)	
7	SOLIS-20	10070279AA	FLEXIBLE CLAMP	12		NOT SHOWN, SUB. PART OF FENDER ASSY.	
8	SOLIS-20	10052335AF	REAR FLOOR ASSY	1			
9	SOLIS-20	20002015AB	Hex. head screw M10 x 1.5 x 25 8-8 SA2JS	2			
10	SOLIS-20	04030400010	SPRING WASHER B-10	2			
11	SOLIS-20	20003357AB	HEX NUT M10 -8 SA2JS	2		INTERCHANGEABLE WITH 20005503AA (ROHS)	
12	SOLIS-20	10052332AA	FLOOR MAT LH	1			
13	SOLIS-20	10052333AA	FLOOR MAT RH	1			
14	SOLIS-20	10081882AA	PUSH PIN	6		INTERCHANGEABLE WITH 10081882AB (ROHS)	
15	SOLIS-20	10052346AD	DUST COVER LH (G.T)	1			
16	SOLIS-20	10052345AC	DUST COVER RH (G.T)	1			
17	SOLIS-20	04030600006	PLAIN WASHER DIA 6.4 *DIA 18 *1.5	8			
18	SOLIS-20	20003517AA	HEX FLANGE SCREW M6*1*16-8.8 SA2JS	4		INTERCHANGEABLE WITH 20005542AA (ROHS)	
19	SOLIS-20	10052757AB	TOOL BOX ASSY GT EEC	1		INTERCHANGEABLE WITH 10052757AF (ROHS)	
20	SOLIS-20	20003518AA	HEX FLANGE SCREW M6*1*20-8.8 SA2JS	2		INTERCHANGEABLE WITH 20005541AA (ROHS)	
21	SOLIS-20	20003354AB	HEX NUT M6 -8 SA2JS	2		INTERCHANGEABLE WITH 20005491AA (ROHS)	
3	SOLIS-20	10051123BA	FLOOR ASSY RH	01	NO		DMGSU522355 G
3	SOLIS-20	10051124BA	FLOOR ASSY LH	01	NO		DMGSU522355 G

Sr.	Model	Item Code	Description	Qty	Int.	Remarks	Cut Off
12	SOLIS-20	10052332BA	FLOOR MAT LH	1	NO		DMGSU522355 G
13	SOLIS-20	10052333BA	FLOOR MAT RH	1	NO		DMGSU522355 G
1A	SOLIS-20 WITH TRUF TYRE	10054539AA	FENDER ASSY -RH W/O PAINT	1			
8	SOLIS-20	10052335AH	REAR FLOOR ASSY	1			
8	SOLIS 20 WITH MITA LIFT WITHOUT TIPPING TRAILER	10052335BA	REAR FLOOR ASSY	1	NO		MEMMGST639 247G
19	ALL MODELS	10052757AC	TOOL BOX ASSY GT EEC	1	YES		MEMHMGSU503 142G
1	SOLIS-20 WITH TRUF TYRE AND INDUSTRIAL TYRES	10054538AC	FENDER ASSY -LH W/O PAINT	1	YES	HOLES ADDED IN FENDER ASSY. FOR DATA PLATE MOUNTING	MEMFMGSF560 880G
1A	SOLIS-20 WITHOUT TRUF TYRE	10051878AD	FENDER ASSY RH HOMOLOGATION (WITHOUT PAINT)	1			
19	SOLIS-20	10052757AC	TOOL BOX ASSY GT EEC	1	YES		MEMHMGSU503 142G
15A	SOLIS-20 EXCEPT TRUFF TYRES MODELS	10052346AE	DUST COVER LH (G.T)	1	YES		MEMBMGSF538 031G
16A	SOLIS-20 EXCEPT TRUFF TYRES MODELS	10052345AE	DUST COVER RH (G.T)	1	YES		MEMBMGSF538 031G
22	SOLIS-20 EXCEPT TRUFF TYRES MODELS	10054085AA	DUST COVER MTG BKT RH	1		NEW PART ADDED IN THIS MODELS FROM MEMBMGSF53 8031G	
23	SOLIS-20 EXCEPT TRUFF TYRES MODELS	10054086AA	DUST COVER MTG BKT LH	1		NEW PART ADDED IN THIS MODELS FROM MEMBMGSF53 8031G	
24	SOLIS-20 EXCEPT TRUFF TYRES MODELS	20002059AA	HEX HEAD SCREW M8x 1. 25*16 8-8 SA2JS	2		NEW PART ADDED IN THIS MODELS FROM MEMBMGSF53 8031G	
25	SOLIS-20 EXCEPT TRUFF TYRES MODELS	04030400008	SPRING WASHER B-8	2		NEW PART ADDED IN THIS MODELS FROM MEMBMGSF53 8031G	
26	SOLIS-20 EXCEPT TRUFF TYRES MODELS	20003518AA	HEX FLANGE SCREW M6*1*20-8.8 SA2JS	2		NEW PART ADDED IN THIS MODELS FROM MEMBMGSF53 8031G	
14	SOLIS-20	10081882AB	PUSH PIN	6	YES		
20	SOLIS-20	20005541AA	HEX FLANGE SCREW M6*1*20 -8.8 SA4GS	2	YES		
25	SOLIS-20 EXCEPT TRUFF TYRES MODELS	20005517AA	SPRING WASHER B-8 TYPE A IS: 3067-1972	2	YES		
26	SOLIS-20 EXCEPT TRUFF TYRES MODELS	20005541AA	HEX FLANGE SCREW M6*1*20 -8.8 SA4GS	2	YES		

12112A-1/1

FENDERS



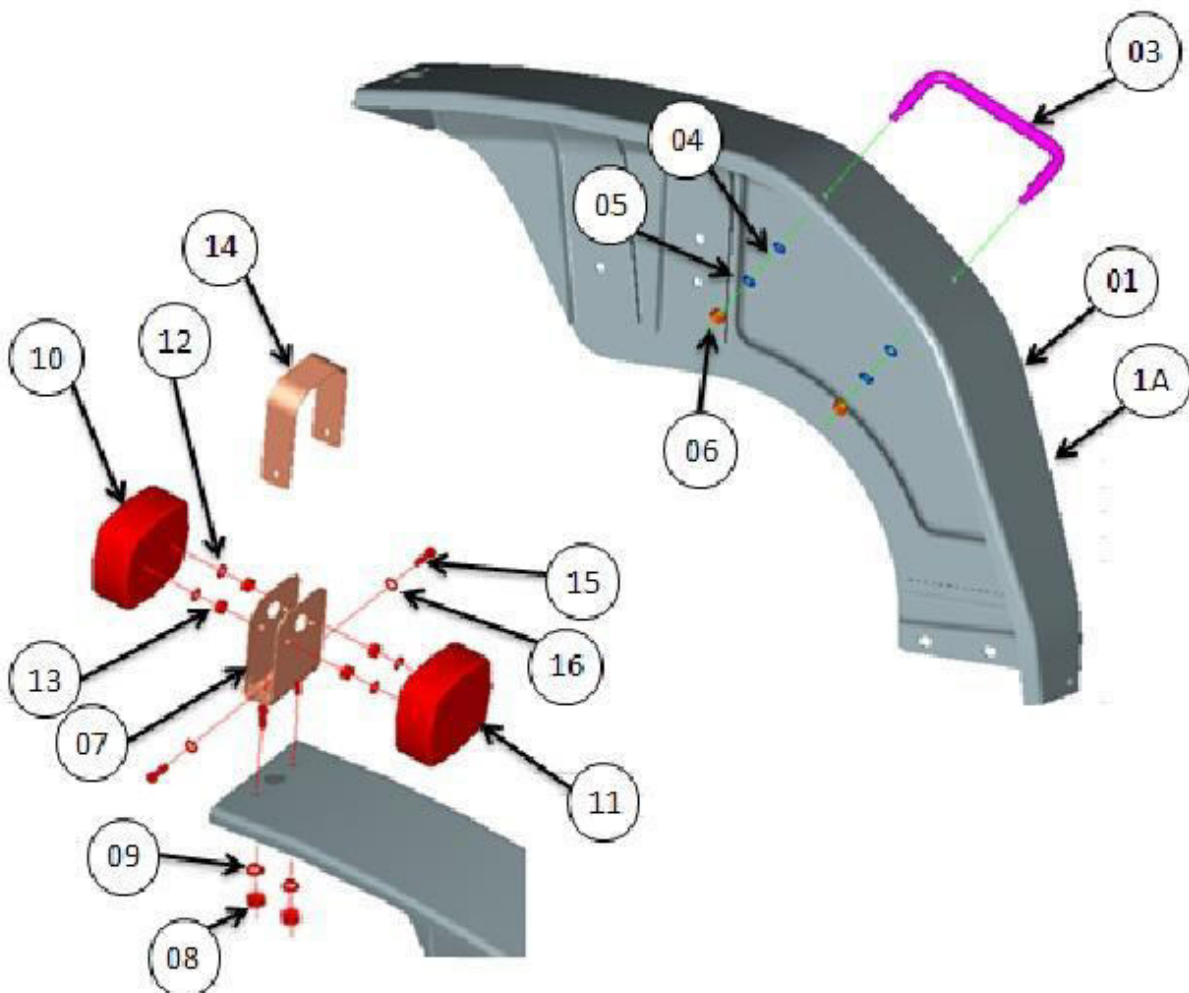
Sr.	Model	Item Code	Description	Qty	Int.	Remarks	Cut Off
22	ALL MODELS	10054085AB	DUST COVER MTG BKT RH	1			
24	ALL MODELS	20005559AA	HEX HEAD SCREW M8X1.25X16 -8.8 SA4GS	2			
6	ALL MODELS	20003357AF	HEX NUT M10 -8 SA4GS	6	YES	interchange with 20003357AB	FOR NON EU MODELS- JZNSS869101S M FOR EU MODELS- MEMRZGTNEJK H07194
11	ALL MODELS	20003357AF	HEX NUT M10 -8 SA4GS	2	YES	interchange with 20003357AB	FOR NON EU MODELS- JZNSS869101S M FOR EU MODELS-

Sr.	Model	Item Code	Description	Qty	Int.	Remarks	Cut Off
							MEMRZGTNEJK H07194
1	ALL MODELS	300024185B	FENDER ASSY LH GT-20 EU (W/O PAINT)	1			
1	ALL MODELS	300024172B	FENDER ASSY LH GT-20 EU TURF (W/O PAINT)	1			
1A	ALL MODELS	300033719A	FENDER ASSEMBLY RH W/O PAINT	1			
1A	ALL MODELS	300033775A	FENDER ASSEMBLY RH W/O PAINT TURF	1			
3	ALL MODELS	10051123BA	FLOOR ASSY RH	1			
3	ALL MODELS	10051124BA	FLOOR ASSY LH	1			
4	ALL MODELS	20002016AB	Hex. head screw M10 x 1.5 x 30 8-8 SA2JS	14		INTERCHANGEABLE WITH 20005562AA (ROHS)	
5	ALL MODELS	04030400010	SPRING WASHER B-10	14			
6	ALL MODELS	20003357AB	HEX NUT M10 -8 SA2JS	6		INTERCHANGEABLE WITH 20005503AA (ROHS)	
7	ALL MODELS	10070279AA	FLEXIBLE CLAMP	12		NOT SHOWN, SUB. PART OF FENDER ASSY.	
8	ALL MODELS	300033786B	REAR FLOOR ASSY	1			
9	ALL MODELS	20002015AB	Hex. head screw M10 x 1.5 x 25 8-8 SA2JS	2			
10	ALL MODELS	04030400010	SPRING WASHER B-10	2			
11	ALL MODELS	20003357AB	HEX NUT M10 -8 SA2JS	2		INTERCHANGEABLE WITH 20005503AA (ROHS)	
12	ALL MODELS	10052332BA	FLOOR MAT LH	1			
13	ALL MODELS	10052333BA	FLOOR MAT RH	1			
14	ALL MODELS	10081882AA	PUSH PIN	6		INTERCHANGEABLE WITH 10081882AB (ROHS)	
15	ALL MODELS	300007804A	DUST COVER LH	1		DELETE WITH IMPLEMENTING LOADER IN EU AND EPA	MEMRMGSNSF KH05857
16	ALL MODELS	10052345AE	DUST COVER RH (G.T)	1		DELETE WITH IMPLEMENTING LOADER IN EU AND EPA	MEMRMGSNSF KH05857
17	ALL MODELS	04030600006	PLAIN WASHER DIA 6.4 *DIA 18 *1.5	8			
18	ALL MODELS	20003517AA	HEX FLANGE SCREW M6*1*16-8.8 SA2JS	4		INTERCHANGEABLE WITH 20005542AA (ROHS)	
19	ALL MODELS	10052757AC	TOOL BOX ASSY GT EEC	1			
20	ALL MODELS	20003518AA	HEX FLANGE SCREW M6*1*20-8.8 SA2JS	2		INTERCHANGEABLE WITH 20005541AA (ROHS)	

Sr.	Model	Item Code	Description	Qty	Int.	Remarks	Cut Off
21	ALL MODELS	20003354AB	HEX NUT M6 -8 SA2JS	2		INTERCHANGEABLE WITH 20005491AA (ROHS)	
22	ALL MODELS	10054085AA	DUST COVER MTG BKT RH	1		INTERCHANGEABLE WITH 10054085AB (ROHS), DELETE WITH IMPLEMENTING LOADER IN EU AND EPA	MEMRMGSNSF KH05857
23	ALL MODELS	300007805A	MTG BKT FOR DUST COVER LH SIDE	1			
24	ALL MODELS	20002059AA	HEX HEAD SCREW M8x 1.25*16 8-8 SA2JS	2		INTERCHANGEABLE WITH 20005559AA (ROHS)	
25	ALL MODELS	04030400008	SPRING WASHER B-8	2		INTERCHANGEABLE WITH 20005517AA (ROHS)	
26	ALL MODELS	20003518AA	HEX FLANGE SCREW M6*1*20-8.8 SA2JS	2		INTERCHANGEABLE WITH 20005541AA (ROHS)	
14	ALL MODELS	10081882AB	PUSH PIN	6	YES		
20	ALL MODELS	20005541AA	HEX FLANGE SCREW M6*1*20 -8.8 SA4GS	2	YES		
25	ALL MODELS	20005517AA	SPRING WASHER B-8 TYPE A IS: 3067-1972	2	YES		
26	ALL MODELS	20005541AA	HEX FLANGE SCREW M6*1*20 -8.8 SA4GS	2	YES		
1	SOLIS-20 EU FACELIFT (POWER STG.)	300024451B	FENDER ASSY LH GT-20 EU (BLUE PAINTED)	1			
1A	SOLIS-20 EU FACELIFT (POWER STG.)	300033857A	FENDER ASSY RH BLUE PAINT	1			
4	SOLIS-20 EU FACELIFT (POWER STG.)	20005562AA	HEX HEAD SCREW M10X1.5X30 -8.8 SA4GS	14			
9	SOLIS-20 EU FACELIFT (POWER STG.)	20005553AA	HEX HEAD SCREW M10X1.5X25 SA4GS	2			
18	SOLIS-20 EU FACELIFT (POWER STG.)	20005542AA	HEX FLANGE SCREW M6*1*16 -8.8 SA4GS	4			
21	SOLIS-20 EU FACELIFT (POWER STG.)	20005491AA	HEX NUT M6 -8 SA4GS	2			

12120A-1/1

FENDERS

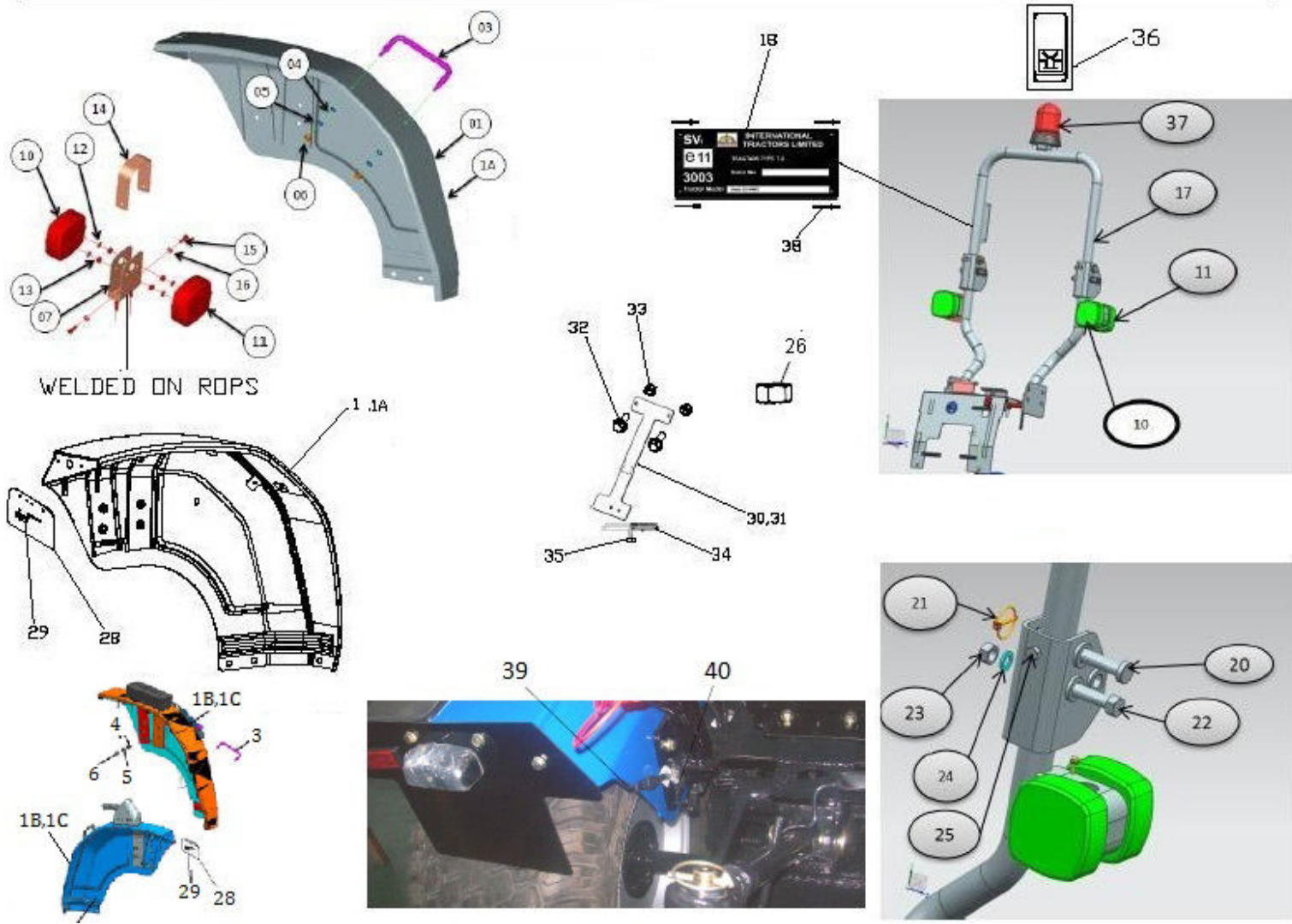


Sr.	Model	Item Code	Description	Qty	Int.	Remarks	Cut Off
15	ALL MODELS	20005771AA	PHILLIPS CROSS RECESSED SCREW SMALL	4			
16	ALL MODELS	300032712A	WASHER	2			
6	ALL MODELS	20003357AF	HEX NUT M10 -8 SA4GS	4	YES	interchange with 20003357AB	FOR NON EU MODELS- JZNSS869101S M FOR EU MODELS- MEMRZGTNEJK H07194
8	ALL MODELS	20003355AB	HEX NUT M8X1.25-8SA2JS	4	YES	INTERCHANGEABLE WITH 200000391A (ROHS)	

Sr.	Model	Item Code	Description	Qty	Int.	Remarks	Cut Off
15	ALL MODELS	20003923AB	PHILIP CROSS CHEES HEAD SCREW M5X20	04	YES	INTERCHANGEABLE WITH 20005771AA (ROHS)	
1A	ALL MODELS	10051117AJ	FENDER ASSY RH	1	YES		AMGSE406596G
10	ALL MODELS	10051306AC	FENDER TAIL LAMP ASSY	2	YES		FMGSU495625G
11	ALL MODELS	10051307AC	FENDER FRONT LAMP ASSY	2	YES		FMGSU495625G
1	ALL MODELS	10051120AE	FENDER ASSY LH	1			
1A	ALL MODELS	10051117AH	FENDER ASSY RH	1			
3	ALL MODELS	10050196AB	HANDLE (FOR FENDER)	2			
4	ALL MODELS	04030800010	M/CD WASHER DIA 10.5 *DIA 21*2	4			
5	ALL MODELS	04030400010	SPRING WASHER B-10	4			
6	ALL MODELS	20003357AB	HEX NUT M10 -8 SA2JS	4		INTERCHANGEABLE WITH 20005503AA (ROHS)	
7	ALL MODELS	10051596AB	TAIL LAMP BKT ASSY	2			
8	ALL MODELS	04040800008	HEX NUT M8X1.25-8SA2JS	4		INTERCHANGEABLE WITH 20005504AA (ROHS)	
9	ALL MODELS	04030400008	SPRING WASHER B-8	4		INTERCHANGEABLE WITH 20005517AA (ROHS)	
10	ALL MODELS	10051306AB	FENDER TAIL LAMP ASSY	2			
11	ALL MODELS	10051307AB	FENDER FRONT LAMP ASSY	2			
12	ALL MODELS	04030400006	SPRING WASHER B-6	8			
13	ALL MODELS	20003354AB	HEX NUT M6	8		INTERCHANGEABLE WITH 20005491AA (ROHS)	
14	ALL MODELS	10051597AB	TAIL LAMP BKT COVER	2			
15	ALL MODELS	20003923AA	PHILIP CROSS CHEES HEAD SCREW M5X20	4			
16	ALL MODELS	04030600005	PLAIN WASHER DIA.5.3X15X1.5	2		INTERCHANGEABLE WITH 300032712A (ROHS)	
8	ALL MODELS	20005504AA	HEX NUT M8X1.25 -8 SA4GS	4	YES		
9	ALL MODELS	20005517AA	SPRING WASHER B-8 TYPE A IS: 3067-1972	4	YES		

12130A-1/1

FENDER & ROLL OVER PROTECTION



Sr.	Model	Item Code	Description	Qty	Int.	Remarks	Cut Off
15	SOLIS-20	200000385A	SLOTTED CHEESE HEAD SCREW M5*30	4			
16	SOLIS-20	300032712A	WASHER	2			
24	SOLIS-20	20005522AA	SPRING WASHER B-18 TYPE A IS: 3067-1972	4			
35	SOLIS-20	300028453A	HEX NUT M5-8 SA2JS	2			
6	SOLIS-20	20003357AF	HEX NUT M10 -8 SA4GS	4	YES	interchange with 20003357AB	FOR NON EU MODELS- JZNSS869101S M FOR EU MODELS- MEMRZGTNEJK H07194

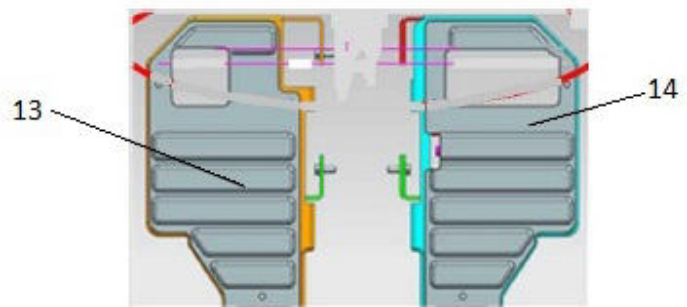
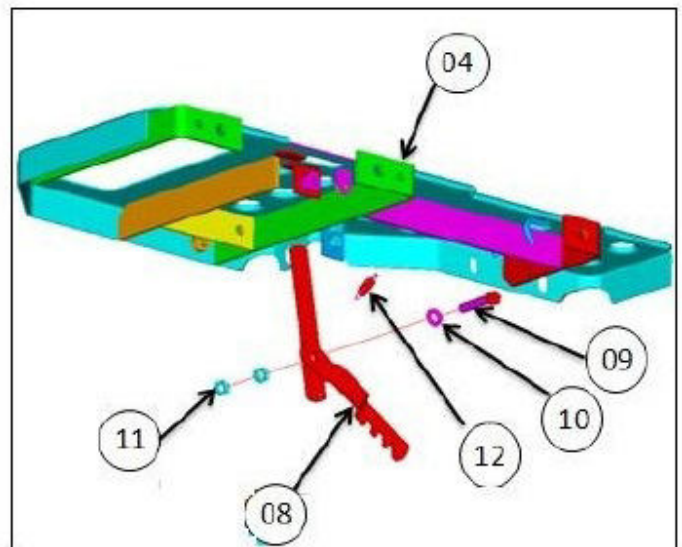
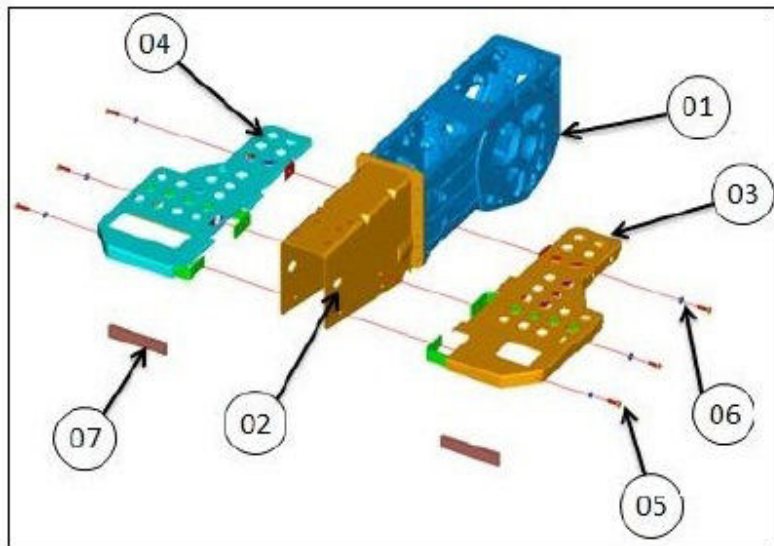
Sr.	Model	Item Code	Description	Qty	Int.	Remarks	Cut Off
26	SOLIS-20	20003357AF	HEX NUT M10 -8 SA4GS	2	YES	interchange with 20003357AB	FOR NON EU MODELS- JZNSS869101S M FOR EU MODELS- MEMRZGTNEJK H07194
1	SOLIS-20 WITHOUT TURF TYRE EXCEPT FACELIFT	10051881AF	FENDER ASSY LH HOMOLOGATION (WITHOUT PAINT)	1			
1	SOLIS-20 WITH TURF TYRE EXCEPT FACELIFT	10054538AA	FENDER ASSY -LH W/O PAINT	1			
3	SOLIS-20	10050196AB	HANDLE (FOR FENDER)	2			
4	SOLIS-20	04030800010	M CD WASHER DIA 10.5 *DIA 21*2	4			
5	SOLIS-20	04030400010	SPRING WASHER B-10	4			
6	SOLIS-20	20003357AB	HEX NUT M10 -8 SA2JS	4		INTERCHANGEABLE WITH 20005503AA (ROHS)	
7	SOLIS-20	-	TAIL LAMP BKT ASSY	2		CHILD PART OF ROPS ASSY	
8	SOLIS-20	20003355AB	HEX NUT M8X1.25-8SA2JS	4		INTERCHANGEABLE WITH 200000391A (ROHS)	
9	SOLIS-20	04030400008	SPRING WASHER B-8	4		INTERCHANGEABLE WITH 20005517AA (ROHS)	
10	SOLIS-20	10051306AB	FENDER TAIL LAMP ASSY	2			
11	SOLIS-20	10051307AB	FENDER FRONT LAMP ASSY	2			
12	SOLIS-20	04030400006	SPRING WASHER B-6	8			
13	SOLIS-20	20003354AB	HEX NUT M6	8		INTERCHANGEABLE WITH 20005491AA (ROHS)	
14	SOLIS-20	10051597AB	TAIL LAMP BKT COVER	2			
15	SOLIS-20	04042905030	SLOTTED CHEESE HD SCREW M5*30	4		INTERCHANGEABLE WITH 200000385A (ROHS)	
16	SOLIS-20	04030600005	PLAIN WASHER DIA.5.3X15X1.5	2		INTERCHANGEABLE WITH 300032712A (ROHS)	
17	SOLIS-20	10051940AJ	ROPS (FOLDABLE)	1			
18	SOLIS-20 EXCEPT FACELIFT	10052926AB	ROPS DATA PLATE	1			
20	SOLIS-20	10051215AA	PIN FOR TOP LINK ASSY	2			
21	SOLIS-20	10080109AB	LINCH PIN ASSY.(Ø7)	2		INTERCHANGEABLE WITH 10087923AA (ROHS)	
22	SOLIS-20	20003921AA	HEX BOLT M18*2.5*110- 10.9 SA2JS	2		INTERCHANGEABLE WITH	

Sr.	Model	Item Code	Description	Qty	Int.	Remarks	Cut Off
						20005545AA (ROHS)	
23	SOLIS-20	20004489AA	HEX NUT M18X2.5 -8 SA2JS	2		INTERCHANGE ABLE WITH 20005506AA (ROHS)	
24	SOLIS-20	04030400018	SPRING WASHER B-18	4		INTERCHANGE ABLE WITH 20005522AA (ROHS)	
25	SOLIS-20	20003230AA	HEX BOLT M10*1.5*40 8-8 SA3NS	2			
26	SOLIS-20	20003357AB	HEX NUT M10 -8 SA2JS	2		WITH S.NO.25	
27	SOLIS-20	10051948AA	REGISTRATION PLATE(BLACK PAINTED)	1			
28	SOLIS-20	10051949AA	REGISTRATION PLATE(WITHOUT PAINT)	1			
29	SOLIS-20	10004236AB	LIGHT FOR REGISTRATION PLATE	1		INTERCHANGE ABLE WITH 10004236BC (ROHS)	
30	SOLIS-20	10051951AA	REFLECTOR MOUNTING BKT. (BLACK PAINTED)	1			
31	SOLIS-20	10051950AA	REFLECTOR MOUNTING BKT. (WITHOUT PAINT)	1			
32	SOLIS-20	20003517AA	HEX FLANGE SCREW M6*1*16-8.8 SA2JS	2		INTERCHANGE ABLE WITH 20005542AA (ROHS)	
33	SOLIS-20	20003354AB	HEX NUT M6 -8 SA2JS	2		INTERCHANGE ABLE WITH 20005491AA (ROHS)	
34	SOLIS-20	10029161AA	REFLEX REFLECTOR	2		INTERCHANGE ABLE WITH 10056131AA (ROHS)	
35	SOLIS-20	20003353AA	HEX NUT M5 -8 SA3NS	2			
36	SOLIS-20	10082879AA	REVOLVING LIGHT SWITCH	1			
37	SOLIS-20	10083050AA	REVOLVING LIGHT	1			
38	SOLIS-20	10000636AA	RIVET DIA 3 (POP)	4			
39	SOLIS-20 WITH TURF TYRE	10056568AA	REGISTRATION LIGHT HARNESS (PIG TAIL)	1		NEW PART ADDED FROM	MEMFMGSF560 880G
40	SOLIS-20 WITH TURF TYRE	10007839AB	CLAMPING STRIP	1		NEW PART ADDED FROM	MEMFMGSF560 880G
18	SOLIS-20 EXCEPT FACELIFT	10052926AC	ROPS DATA PLATE	1	YES		MEMAZLFE4087 13W
1A	SOLIS-20 WITH TURF TYRE EXCEPT FACELIFT	10054539AA	FENDER ASSY -RH W/O PAINT	1			
10	SOLIS-20	10051306AC	FENDER TAIL LAMP ASSY	2	YES		FMGSU495625G
11	SOLIS-20	10051307AC	FENDER FRONT LAMP ASSY	2	YES		FMGSU495625G
1	SOLIS-20 WITH TRUF TYRE AND INDUSTRIAL TYRES EXCEPT FACELIFT	10054538AC	FENDER ASSY -LH W/O PAINT	1	YES	HOLES ADDED IN FENDER ASSY. FOR DATA PLATE MOUNTING	MEMFMGSF560 880G
1A	SOLIS-20 WITHOUT TURF TYRE EXCEPT FACELIFT	10051878AD	FENDER ASSY RH HOMOLOGATION (WITHOUT PAINT)	1			

Sr.	Model	Item Code	Description	Qty	Int.	Remarks	Cut Off
17	SOLIS-20	10051940AN	ROPS (FOLDABLE)	1			
31	SOLIS-20 WITH 8.3-20 TYRE	10053913AA	REFLECTOR MOUNTING BKT. (WITHOUT PAINT)	1			
37	SOLIS-20 WITH TURF TYRE,SOLIS-20 WITH 8.3-20 TYRE	10053765AA	REVOLVING LIGHT	1			
1B	SOLIS-20 FACELIFT	300024185B	FENDER ASSY LH GT-20 EU (W/O PAINT)	1			
1B	SOLIS-20 FACELIFT	300024172B	FENDER ASSY LH GT-20 EU TURF (W/O PAINT)	1			
1C	SOLIS-20 FACELIFT	300033719A	FENDER ASSEMBLY RH W/O PAINT	1			
1C	SOLIS-20 FACELIFT	300033775A	FENDER ASSEMBLY RH W/O PAINT TURF	1			
18	SOLIS-20 FACELIFT	300012131A	ROPS DATA PLATE	1			
24	SOLIS-20 FACELIFT	10087869AA	NYLON WASHER	2			MEMRMGSNSA JH00591
9	SOLIS-20	20005517AA	SPRING WASHER B-8 TYPE A IS: 3067-1972	4	YES		
21	SOLIS-20	10087923AA	LINCH PIN ASSY.(Ø7)	2	YES		
22	SOLIS-20	20005545AA	HEX BOLT M18*2.5*110 -10.9 SA4GS	2	YES		
23	SOLIS-20	20005506AA	HEX NUT M18X2.5 -8 SA4GS	2	YES		
34	SOLIS-20	10056131AA	REFLEX REFLECTOR (RED)	2	YES		
18	SOLIS-20 FACELIFT EU MODELS	300108107A	ROPS DATA PLATE	1	YES	STAGE V ENGINE	MEMRMGSNSB KH03862
4	SOLIS-20 EU FACELIFT (POWER STG.)	20000100AA	M/CD WASHER 10.5*21*2	4			
8	SOLIS-20 EU FACELIFT (POWER STG.)	20005504AA	HEX NUT M8X1.25 -8 SA4GS	4			
10	SOLIS-20 EU FACELIFT (POWER STG.)	10056758AB	FENDER TAIL LAMP ASSEMBLY	2			
11	SOLIS-20 EU FACELIFT (POWER STG.)	10056759AB	FENDER FRONT LAMP ASSEMBLY	2			
13	SOLIS-20 EU FACELIFT (POWER STG.)	20005491AA	HEX NUT M6 -8 SA4GS	8			
15	SOLIS-20 EU FACELIFT (POWER STG.)	10083043AB	Slotted Cheese Head Screw M5X30 SA4GS	4			
17	SOLIS-20 EU FACELIFT (POWER STG.)	10051940CB	ROLL OVER PROTECTION STRUCTURE ASSY	1			
20	SOLIS-20 EU FACELIFT (POWER STG.)	10053509AC	PIN FOR TOP LINK	2			
25	SOLIS-20 EU FACELIFT (POWER STG.)	20005544AA	HEX BOLT M10X1.5X40 SA4GS	2			
29	SOLIS-20 EU FACELIFT (POWER STG.)	10067783AB	LIGHT FOR REGISTRATION PLATE	1			
32	SOLIS-20 EU FACELIFT (POWER STG.)	20005542AA	HEX FLANGE SCREW M6*1*16 -8.8 SA4GS	2			
33	SOLIS-20 EU FACELIFT (POWER STG.)	20005491AA	HEX NUT M6 -8 SA4GS	2			
37	SOLIS-20 EU FACELIFT (POWER STG.)	10057344AA	REVOLVING LIGHT	1			
40	SOLIS-20 EU FACELIFT (POWER STG.)	10007839AC	CLAMPING STRIP	1			

13110A-1/1

FLOOR & PARKING BRAKE



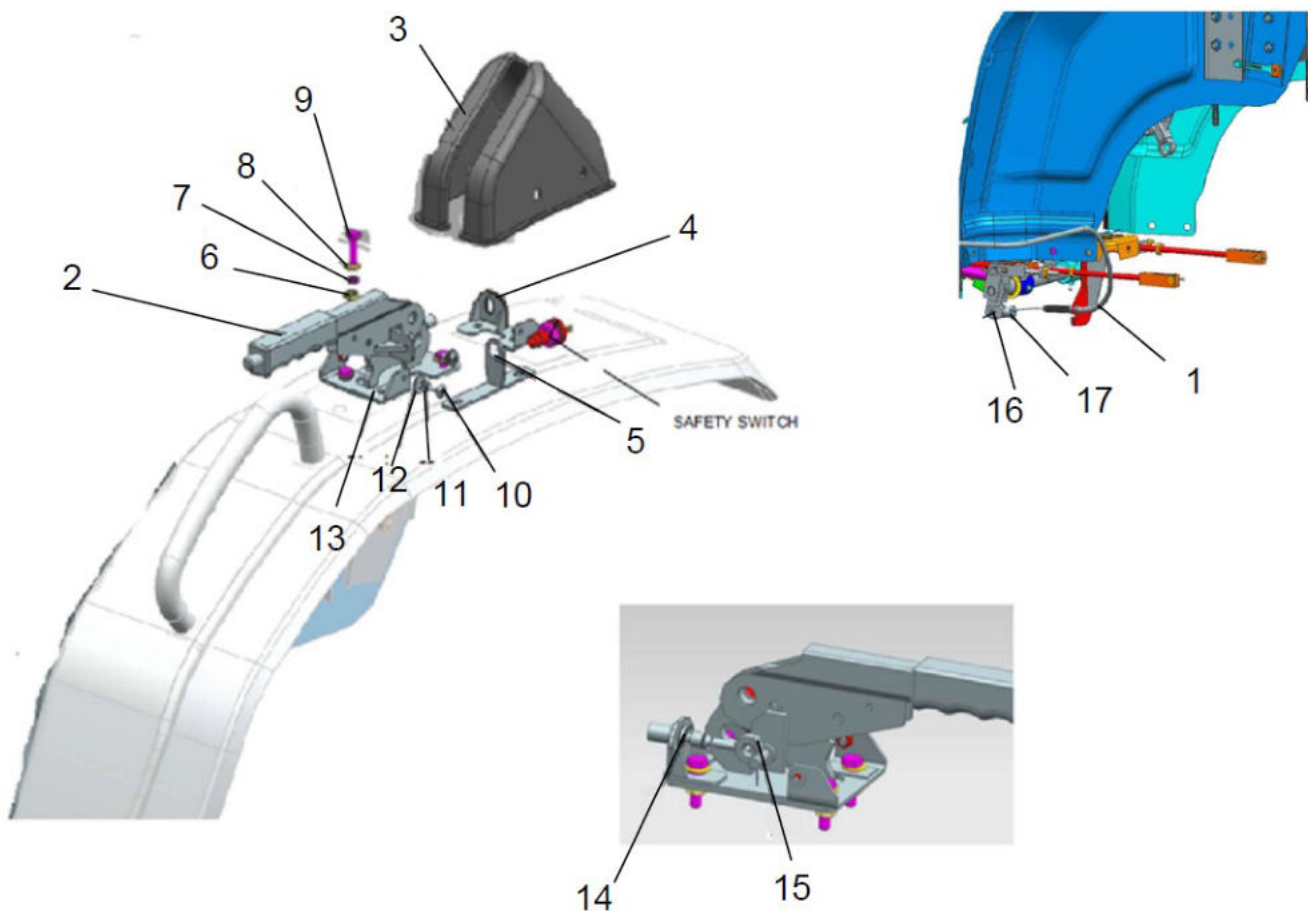
Sr.	Model	Item Code	Description	Qty	Int.	Remarks	Cut Off
2	SOLIS-20 TURF TYRES & INDUSTRIAL TYRES MODELS	10055992AD	CLUTCH HOUSING ASSY.	1			
2	ALL MODELS	10051198AP	CLUTCH HOUSING	1	YES		BMGSV325188G
1	ALL MODELS	10051135AH	TRANSMISSION HOUSING	1	YES		BMGSE390954G
5	ALL MODELS	20003235AB	HEX HEAD SCREW M10 x 20- 8.8 SA3NS	06	YES		
11	ALL MODELS	20003355AB	HEX NUT M8X1.25	2		INTERCHANGEABLE WITH 200000391A (ROHS)	
3	DI-20 GT WITH 1SA (NEPAL,MEXICO),SOLIS 20	10051124BA	FLOOR ASSY LH	1	NO		DMGSU522355 G

Sr.	Model	Item Code	Description	Qty	Int.	Remarks	Cut Off
4	DI-20 GT WITH 1SA (NEPAL,MEXICO),SOLIS 20	10051123BA	FLOOR ASSY RH	1	NO		DMGSU522355 G
8	ALL MODELS	10051081AC	HANDLE FOR PARKING BRAKE	1	YES		AMGSF547192G
13	DI-20 GT WITH 1SA (NEPAL,MEXICO),SOLIS 20	10052332AA	FLOOR MAT LH	1			
13	DI-20 GT WITH 1SA (NEPAL,MEXICO),SOLIS 20	10052332BA	FLOOR MAT LH	1	NO		DMGSU522355 G
14	DI-20 GT WITH 1SA (NEPAL,MEXICO),SOLIS 20	10052333AA	FLOOR MAT RH	1			
14	DI-20 GT WITH 1SA (NEPAL,MEXICO),SOLIS 20	10052333BA	FLOOR MAT RH	1	NO		DMGSU522355 G
1	ALL MODELS	10051135AK	TRANSMISSION HOUSING	1	YES		MMGSE403515 G
1	ALL MODELS	10051135AL	TRANSMISSION HOUSING	1	YES		KMGSE456626G
2	ALL MODELS	10051198AS	CLUTCH HOUSING	1	YES		KMGSE455971G
2	SOLIS-20 TURF TYRES & INDUSTRIAL TYRES MODELS	10055992AA	CLUTCH HOUSING ASSY.	1	YES		MEMBMGST609 624G
2A	SOLIS-20 TURF TYRES & INDUSTRIAL TYRES MODELS	10053105BA	CLUTCH HOUSING	1	NO	PART MODIFIED FROM 10053105AA	MEMBMGST609 624G
2B	SOLIS-20 TURF TYRES & INDUSTRIAL TYRES MODELS	10055984AA	BUSH	2		BUSH ADDED IN CLUTCH HOUSING 10053105BA FROM	MEMBMGST609 624G
2	ALL MODELS	10051198AJ	CLUTCH HOUSING	1			
2	ALL MODELS	10051198AL	CLUTCH HOUSING	1	NO		FMGSD289076G
2	ALL MODELS	10051198AM	CLUTCH HOUSING	1	YES		JMGSD301180G
3	ALL MODELS EXCEPT SOLIS-20 FACELIFT	10051124AE	FLOOR ASSY LH	1	YES		EMGSD297363G
4	ALL MODELS	10051123AF	FLOOR ASSY RH	1	YES		EMGSD297363G
2	ALL MODELS	10051198AT	CLUTCH HOUSING	1			
2	ALL MODELS	10051198AU	CLUTCH HOUSING	1	YES		FMGSU492814G
2	SOLIS-20 TURF TYRES & INDUSTRIAL TYRES MODELS	10053105AA	CLUTCH HOUSING	1			
1	ALL MODELS	10051135AF	TRANSMISSION HOUSING	1			
2	ALL MODELS	10051198AI	CLUTCH HOUSING	1			
3	ALL MODELS EXCEPT SOLIS-20 FACELIFT	10051124AD	FLOOR ASSY LH	1			
4	ALL MODELS	10051123AE	FLOOR ASSY RH	1			
5	ALL MODELS	20003235AA	HEX HEAD SCREW M10 x 20- 8.8 SA3NS	6			
6	ALL MODELS	04030400010	SPRING WASHER B-10	6			
7	ALL MODELS	10029592AA	BEEDING (FOR FLOOR AREA)	2			

Sr.	Model	Item Code	Description	Qty	Int.	Remarks	Cut Off
8	ALL MODELS	10051081AA	HANDLE FOR PARKING BRAKE	1			
9	ALL MODELS	04040708045	HEX BOLT M8*1.25*45	1		INTERCHANGEABLE WITH 20005548AA (ROHS)	
10	ALL MODELS	04030800008	M/CD WASHER DIA 8.4X17X1.6	1			
11	ALL MODELS	04040800008	HEX NUT M8X1.25	2		INTERCHANGEABLE WITH 20005504AA (ROHS)	
12	ALL MODELS	10051127AA	SPRING FOR PARKING BRAKE	1			
8	ALL MODELS	10051081AB	HANDLE FOR PARKING BRAKE	1	YES		FMGSV347808G
3A	SOLIS-20 FACELIFT	300033938A	FLOOR ASSY LH	1			
2	SOLIS-20 TURF TYRES & INDUSTRIAL TYRES MODELS	10055992AC	CLUTCH HOUSING ASSY.	1	YES	INTERCHANGEABLE WITH 10055992AD (ROHS)	FOR NON EU MODELS-AMGSS837351G, FOR EU MODELS-MEMRMGSNSA KH04915
9	ALL MODELS	20005548AA	HEX BOLT M8X1.25-45 -8.8 SA4GS	1	YES		
11	ALL MODELS	20005504AA	HEX NUT M8X1.25 -8 SA4GS	2	YES		
5	SOLIS-20 EU FACELIFT (POWER STG.)	20005585AA	HEX HEAD SCREW M10X20 8.8 SA4GS	6			

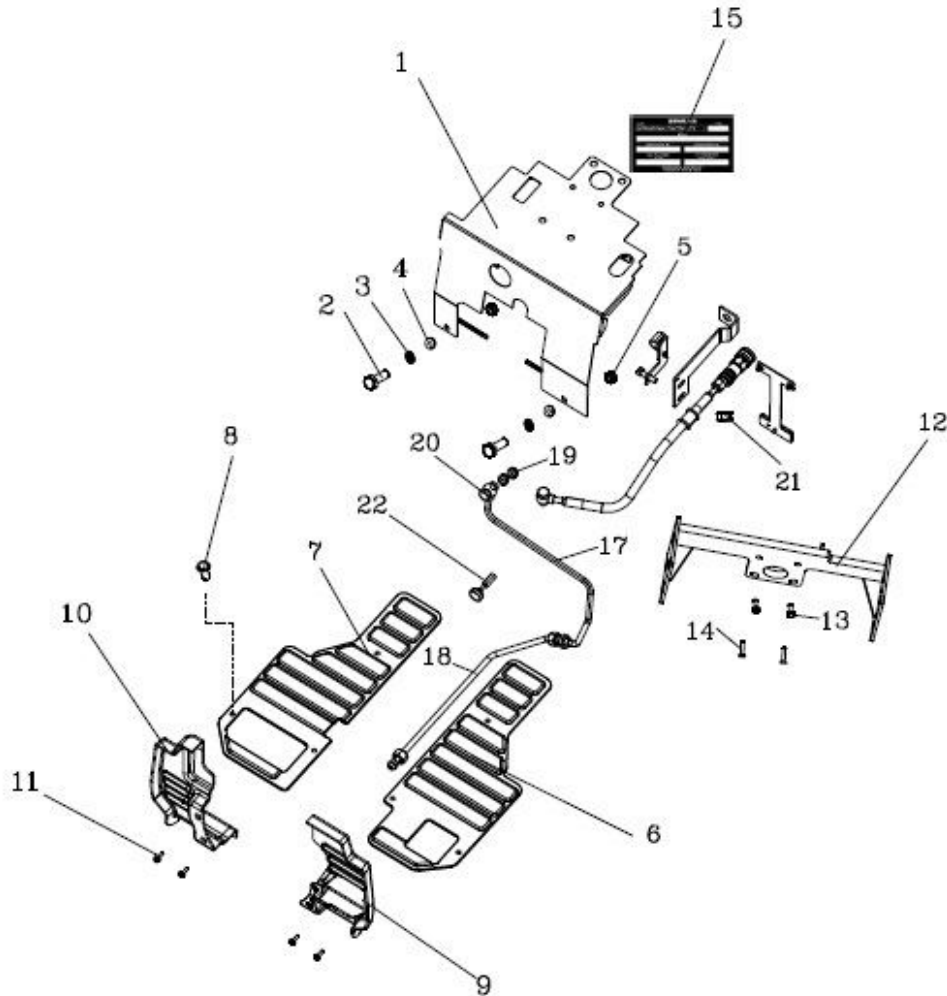
13111A-1/1

PARKING BRAKE



Sr.	Model	Item Code	Description	Qty	Int.	Remarks	Cut Off
16	ALL MODELS	300031864A	FORK FOR PARKING BRAKE	1			
1	ALL MODELS	300009630A	PARKING BRAKE CABLE RH	1			
2	ALL MODELS	300009648B	HANDLE FOR PARKING BRAKE	1			
3	ALL MODELS	300017065B	PARKING BRAKE COVER	1			
4	ALL MODELS	300030621A	PARKING BRAKE COVER MTG BKT ASSY W/O PAINT	1			
4	ALL MODELS	300030622A	PARKING BRAKE COVER MTG BKT ASSY BLACK PAINT	1			
5	ALL MODELS	300030293A	SAFETY SWITCH MTG BRACKET ASSY W/O PAINT	1			
5	ALL MODELS	300030294A	SAFETY SWITCH MTG BRACKET ASSY BLACK PAINT	1			

Sr.	Model	Item Code	Description	Qty	Int.	Remarks	Cut Off
6	ALL MODELS	20003355AB	HEX NUT M8X1.25 -8 SA2JS	4		INTERCHANGEABLE WITH 200000391A (ROHS)	
7	ALL MODELS	04030400008	SPRING WASHER B-8	4		INTERCHANGEABLE WITH 20005517AA (ROHS)	
8	ALL MODELS	04030600008	PLAIN WASHER DIA 8.4 *DIA 17*1.6	4			
9	ALL MODELS	20003285AB	HEX. HEAD SCREW M8 x 1.25-25 8-8 SA2JS	4			
10	ALL MODELS	10067947AA	CROSS SLOTTED TRUSS HEAD SCREW M6X16	4		INTERCHANGEABLE WITH 20003931AB (ROHS)	
11	ALL MODELS	04030400006	SPRING WASHER B-6	4			
12	ALL MODELS	04030600006	PLAIN WASHER DIA 6.4 *DIA 18 *1.5	4			
13	ALL MODELS	300017070B	PARKING BRAKE COVER MTG BKT	1			
14	ALL MODELS	10083690AA	CIRCLIP	2			
15	ALL MODELS	04010102025	SPLIT PIN DIA 2*25	3			
16	ALL MODELS	10083093AA	FORK PARKING BRAKE	1		INTERCHANGEABLE WITH 300031864A (ROHS)	
17	ALL MODELS	10083095AA	ES BOLT (FOR10X20 FORK HEAD) WITH SECURI	1			
7	ALL MODELS	20005517AA	SPRING WASHER B-8 TYPE A IS: 3067-1972	4	YES		
3	ALL MODELS	300017065C	PARKING BRAKE COVER	1			
3	ALL MODELS	300017065D	PARKING BRAKE SOLIS-20 AND 26	1	YES		MEMG412H3HH WS2491
6	SOLIS-20 EU FACELIFT (POWER STG.)	20005504AA	HEX NUT M8X1.25 -8 SA4GS	4			
9	SOLIS-20 EU FACELIFT (POWER STG.)	20005564AA	HEX HEAD SCREW M8X1.25-25 -8.8 SA4GS	4			
16	SOLIS-20 EU FACELIFT (POWER STG.)	300009698A	FORK RH	1			
17	SOLIS-20 EU FACELIFT (POWER STG.)	10003800AB	PIN FOR BRAKE ACTUATOR FORK	1			

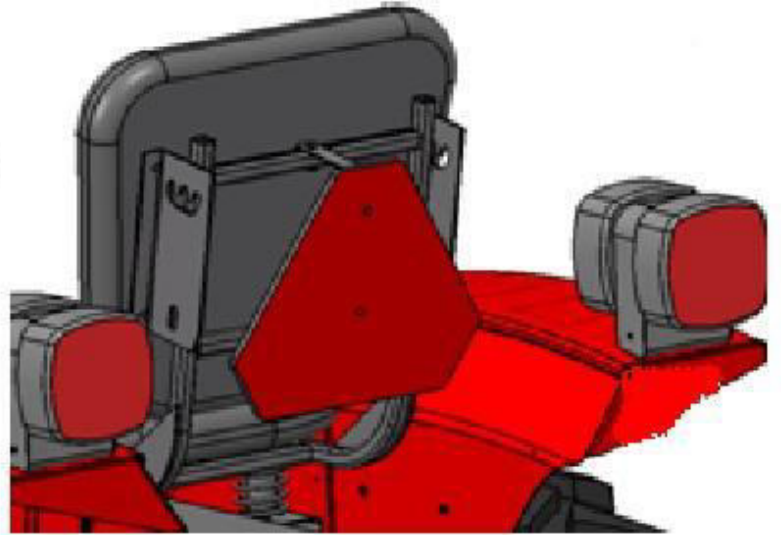
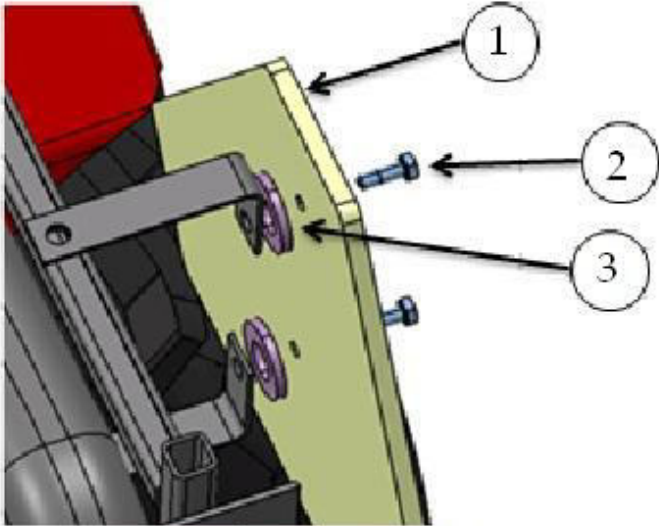
13112A-1-1**REAR FLOOR,PLASTIC SIDE COVERS AND RUBBER FLOOR MATS**

Sr.	Model	Item Code	Description	Qty	Int.	Remarks	Cut Off
5	DI-20 GT EXCEPT ADDC OPTION	20003357AF	HEX NUT M10 -8 SA4GS	2	YES	interchange with 20003357AB	FOR NON EU MODELS- JZNSS869101S M FOR EU MODELS- MEMRZGTNEJK H07194
1	DI-20 GT EXCEPT ADDC OPTION	10055485AA	REAR FLOOR	1		NEW PART ADDED FROM	AMGSF549244G
2	DI-20 GT EXCEPT ADDC OPTION	20002015AB	HEX HEAD SCREW M10x1.5x25 8-8 SA2JS	2		NEW PART ADDED FROM	AMGSF549244G
3	DI-20 GT EXCEPT ADDC OPTION	04030400010	SPRING WASHER B-10	2		NEW PART ADDED FROM	AMGSF549244G
4	DI-20 GT EXCEPT ADDC OPTION	04030800010	M/CD WASHER DIA 10.5 *DIA 21*2	2		NEW PART ADDED FROM	AMGSF549244G

Sr.	Model	Item Code	Description	Qty	Int.	Remarks	Cut Off
5	DI-20 GT EXCEPT ADDC OPTION	20003357AB	HEX NUT M10 -8 SA2JS	2		NEW PART ADDED FROM	AMGSF549244G
6	DI-20 GT EXCEPT ADDC OPTION	10052332BA	FLOOR MAT LH	1		NEW PART ADDED FROM	AMGSF549244G
7	DI-20 GT EXCEPT ADDC OPTION	10052333BA	FLOOR MAT RH	1		NEW PART ADDED FROM	AMGSF549244G
8	DI-20 GT EXCEPT ADDC OPTION	10081882AA	PUSH PIN	6		NEW PART ADDED FROM	AMGSF549244G
9	DI-20 GT EXCEPT ADDC OPTION	10052346AE	DUST COVER LH (G.T)	1		NEW PART ADDED FROM	AMGSF549244G
10	DI-20 GT EXCEPT ADDC OPTION	10052345AE	DUST COVER RH	1		NEW PART ADDED FROM	AMGSF549244G
11	DI-20 GT EXCEPT ADDC OPTION	20003518AA	HEX FLANGE SCREW M6*1*20-8.8 SA2JS	4		NEW PART ADDED FROM	AMGSF549244G
12	DI-20 GT EXCEPT ADDC OPTION	10051126BB	FENDER SUPPORT BAR ASSY	1		NEW PART ADDED FROM	AMGSF549244G
13	DI-20 GT EXCEPT ADDC OPTION	20002017AC	HEX. SCREW M10 X 40	2		NEW PART ADDED FROM	AMGSF549244G
14	DI-20 GT EXCEPT ADDC OPTION	20003788AA	HEX BOLT M14 X 2 X 50 SA2JS	2		NEW PART ADDED FROM	AMGSF549244G
15	DI-20 GT EXCEPT ADDC OPTION	10054633AA	DATA PLATE	1		NEW PART ADDED FROM	AMGSF549244G
17	DI-20 GT EXCEPT ADDC OPTION	10055068AB	MIDDLE PIPE FROM PUMP TO REAR COVER	1		NEW PART ADDED FROM	AMGSF549244G
18	DI-20 GT EXCEPT ADDC OPTION	10055069AC	SECONDARY PIPE FROM PUMP TO REAR COVER	1		NEW PART ADDED FROM	AMGSF549244G
19	DI-20 GT EXCEPT ADDC OPTION	10012573AA	BONDED SEAL FOR M18	2		NEW PART ADDED FROM	AMGSF549244G
20	DI-20 GT EXCEPT ADDC OPTION	20003896AA	BANJO BOLT M18x1.5 IS:3174-1974	1		NEW PART ADDED FROM	AMGSF549244G
21	DI-20 GT EXCEPT ADDC OPTION	20003354AB	HEX NUT M6 -8 SA2JS	1		NEW PART ADDED FROM	AMGSF549244G
22	DI-20 GT EXCEPT ADDC OPTION	10055489AA	HEX SHAFT (FOR TIPPING TRAILER)	1		NEW PART ADDED FROM	AMGSF549244G
12	DI-20 GT WITH MITA LIFT WITHOUT TIPPING TRAILER	10051126CA	FENDER SUPPORT BAR ASSY	1	NO		MEMMGST639247G
1	DI-20 GT WITH MITA LIFT WITHOUT TIPPING TRAILER	10055485BA	REAR FLOOR	1	NO		MEMMGST639247G
8	DI-20 GT EXCEPT ADDC OPTION	10081882AB	PUSH PIN	6	YES		
11	DI-20 GT EXCEPT ADDC OPTION	20005541AA	HEX FLANGE SCREW M6*1*20 -8.8 SA4GS	4	YES		
14	DI-20 GT EXCEPT ADDC OPTION	20005495AA	HEX BOLT M14X2X50 SA4GS	2	YES		

14110A-1/1

SMV EMBLEM

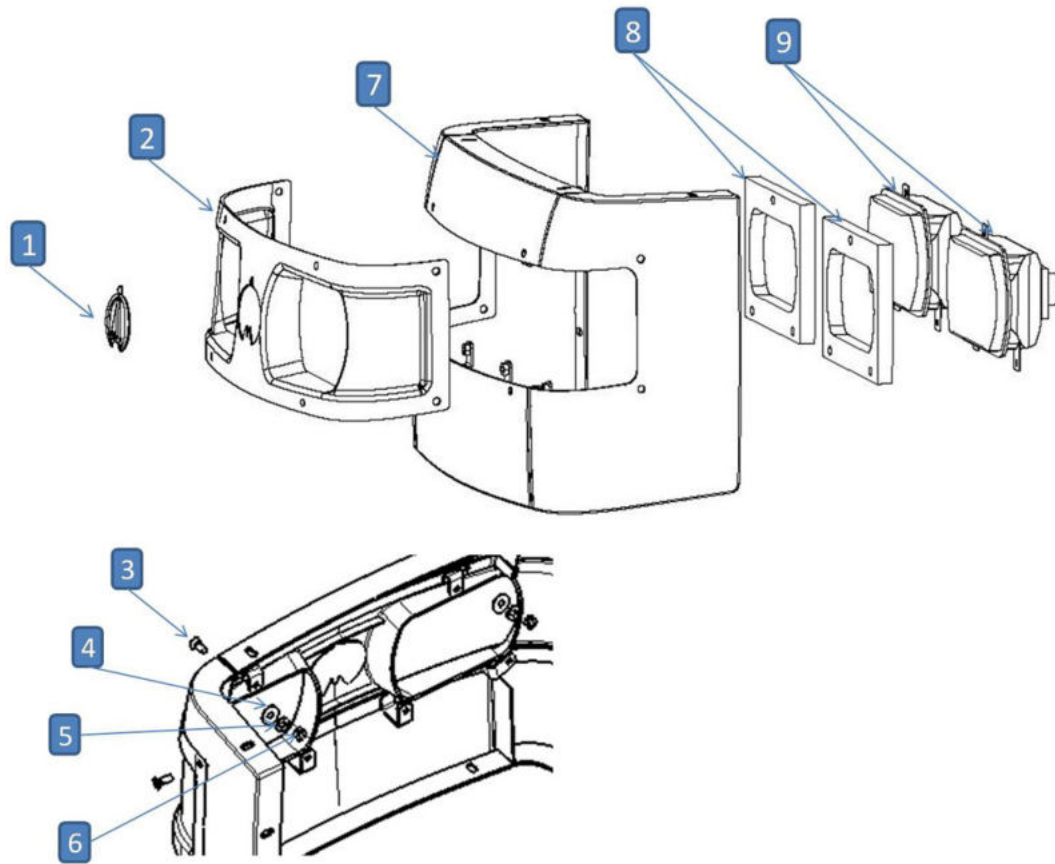


Sr.	Model	Item Code	Description	Qty	Int.	Remarks	Cut Off
1	ALL MODELS	10023312AA	SMV EMBLEM (MOULDED)	1			
2	ALL MODELS	20003517AA	HEX FLANGE SCREW M6*1*16-8.8 SA2JS	2		INTERCHANGEABLE WITH 20005542AA (ROHS)	
3	ALL MODELS	10004811AA	RUBBER WASHER(FOR FENDER SEAT GURAD)	2			
6	ALL MODELS	10029161AA	REFLEX REFLECTOR	2		INTERCHANGEABLE WITH 10056131AA (ROHS)	
6	ALL MODELS	10056131AA	REFLEX REFLECTOR (RED)	2	YES		
2	SOLIS-20 EU FACELIFT (POWER STG.)	20005542AA	HEX FLANGE SCREW M6*1*16 -8.8 SA4GS	2			

Sr.	Model	Item Code	Description	Qty	Int.	Remarks	Cut Off
3	SOLIS-20 EU FACELIFT (POWER STG.)	10012693AB	RUBBER WASHER	2			

15110A-1/1

FRONT MESH ASSY.

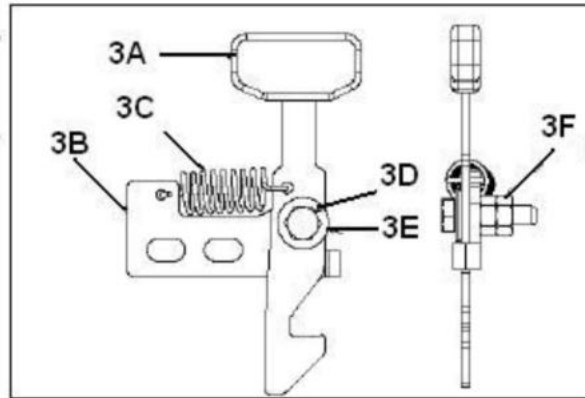
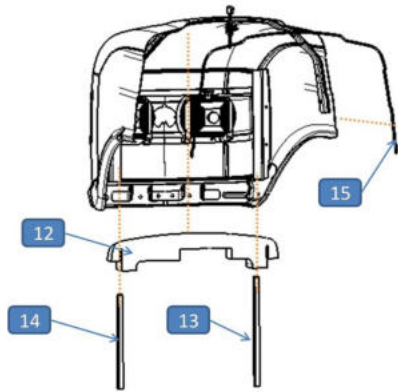
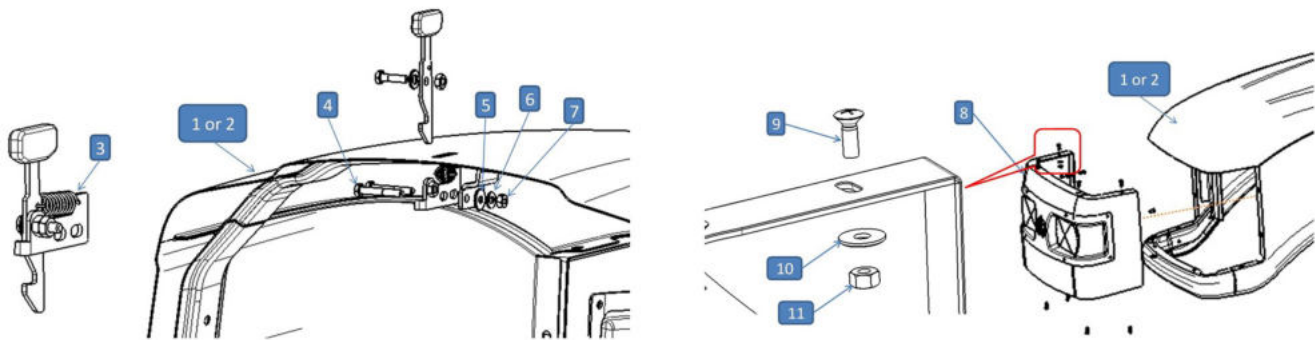


Sr.	Model	Item Code	Description	Qty	Int.	Remarks	Cut Off
9	ALL MODELS WITH LH DRIVE	10055873AA	HEAD LIGHT ASSY. LHD	2			
9	ALL MODELS WITH RH DRIVE	10071672AB	HEAD LAMP ASSY RHD	2		APN 10071672AB	
2A	ALL MODELS	10053444AB	HEAD LAMP FRAME	1			
8	ALL MODELS	10024633AC	SEAL FRAME (FRONT LIGHTS)	2	YES		DZWSS877519B
7	ALL MODELS	10051579AD	FRONT MESH GT BLACK PAINT	1	YES		AMGSU481687G
2	ALL MODELS	10051554AC	HEAD LAMP COVER	1	YES		MMGSV333460 G
2A	ALL MODELS	10053444AA	HEAD LAMP FRAME	1	YES	INTERCHANGE ABLE WITH 10053444AB (ROHS)	CMGSV381798G
9	ALL MODELS WITH LH DRIVE	10001893AB	HEAD LAMP ASSY LT HAND DRIVE (E-MARKED)	2		INTERCHANGE ABLE WITH 10055873AA	

Sr.	Model	Item Code	Description	Qty	Int.	Remarks	Cut Off
						(ROHS)	
9	ALL MODELS WITH RH DRIVE	10009397AC	HEAD LAMP ASSY (RH DRIVE)	2		INTERCHANGEABLE WITH 10071672AB (ROHS)	
1	ALL MODELS	10051653AA	DOOM STICKER ICML LOGO G.T.	1	FROM	DELETED WITH 10053444AA	CMGSV381798G
2	ALL MODELS	10051554AB	HEAD LAMP COVER	1			
3	ALL MODELS	20003931AA	CROSS SLOTTED TRUSS HEAD SCREW M6	8		INTERCHANGEABLE WITH 20003931AB (ROHS)	
4	ALL MODELS	04030600006	PLAIN WASHER DIA 6.4 *DIA 18 *1.5	8			
5	ALL MODELS	04030400006	SPRING WASHER B-6	8			
6	ALL MODELS	20003354AB	HEX NUT M6 -8 SA2JS	8		INTERCHANGEABLE WITH 20005491AA (ROHS)	
7	ALL MODELS	10051579AC	FRONT MESH G.T.	1			
8	ALL MODELS	10024633AA	SEAL FRAME(FRONT LIGHT)	2			
9	ALL MODELS WITH RH DRIVE	10009397AB	HEAD LAMP ASSY (RH DRIVE)	2			

15120A-1/1

FRONT MESH ASSY.



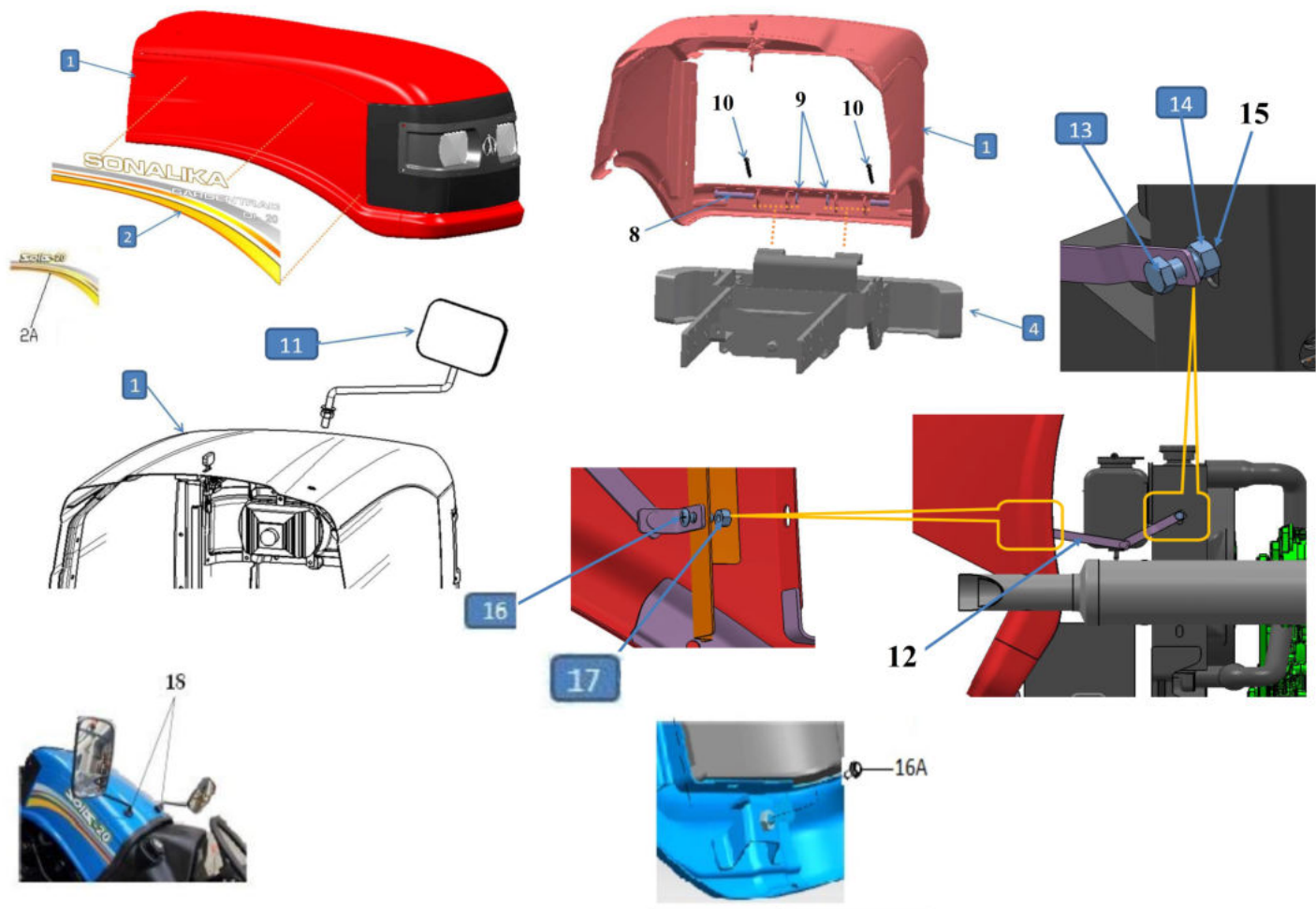
Sr.	Model	Item Code	Description	Qty	Int.	Remarks	Cut Off
4	ALL MODELS	300028444A	HEX BOLT M6*40 SA4GS	2			
13	ALL MODELS	10051645AC	RADIATOR BEEDING - GT RH	1			
1	DI-20 GT	10051647AC	ASSY. SHEET METAL BONNET G.T. W/O PAINT	1			
1	SOLIS-20	10051968AD	BONNET ASSY. GT HOMOLOGATION (BLUE PAINT)	1		APN 10051966AG	
2	SOLIS-20	10051966AG	BONNET ASSY. GT HOMOLOGATION (WITHOUT PAINT)	1	NO	BONNET STAY MODIFICATION AND RADIATOR SEALING RELATED MODIFICATION	MEMEMGSU510 327G
1	SOLIS-20	10053206AA	BONNET ASSY (LANDINI BLUE)	1			

Sr.	Model	Item Code	Description	Qty	Int.	Remarks	Cut Off
13	ALL MODELS	10051645AB	RADIATOR BEADING RH - G.T	1			
14	ALL MODELS	10051646AB	RADIATOR BEADING LH - G.T	1			
15	ALL MODELS	10051971AA	BEEDING FOR BONNET	1			
15	ALL MODELS	10051971AB	BEEDING FOR BONNET	1	YES		
1	SOLIS-20	10053555AB	ASSY BONNET FOR HOMOLOGATION WITH CED COATED	1			
1	SOLIS-20	10053555AG	ASSY BONNET FOR HOMOLOGATION WITH CED COATED	1	NO	BONNET STAY MODIFICATION AND RADIATOR SEALING RELATED MODIFICATION	MEMEMGSU510 327G
1	SOLIS-20	10051966AG	BONNET ASSY. GT HOMOLOGATION (W/O PAINT)	1	YES		MEMKMGSU528 196G
3F	ALL MODELS	20003354AC	HEX NUT M6, 8 SA2JS	1		SUB. PARTS OF S.NO.3	
2	SOLIS-20	10051966AD	BONNET ASSY. GT HOMOLOGATION (WITHOUT PAINT)	1			
1	DI-20 GT	10051648AC	ASSY SHEET METAL BONNET RED PAINT	1		ASSY SHEET METAL BONNET W O PAINT- 10051647AC	
3D	ALL MODELS	04040106025	HEX HEAD SCREW M6X25,8.8 SA3NS	1		SUB. PARTS OF S.NO.3	
3E	ALL MODELS	04030600006	PLAIN WASHER DIA-6.4XDIA.18X1.5	1		SUB. PARTS OF S.NO.3	
12	ALL MODELS	10051644AD	RADIATOR SEALING FOAM - G.T	1	YES		GMGSV342006 G
1	DI-20 GT	10051958AA	ASSY SHEET METAL BONNET BLUE PAINT (G T)	1		ASSY SHEET METAL BONNET W O PAINT- 10051647AC	
1	DI-20 GT	10051647AC	ASSY. SHEET METAL BONNET G.T. W/O PAINT	1			
1	DI-20 GT	10051958AF	ASSY SHEET METAL BONNET BLUE PAINT (G T)	1	YES	ASSY SHEET METAL BONNET W O PAINT- 10051647AH	FMGSE418938G
3	ALL MODELS	-	BONNET LOCK	1		ASSY	
3A	ALL MODELS	10051568AA	BONNET LOCKING LEVER	1		SUB. PARTS OF S.NO.3	
3A	ALL MODELS	10051568AB	BONNET LOCKING LEVER	1		SUB. PARTS OF S.NO.3	
3A	ALL MODELS	10051568AD	BONNET LOCKING LEVER	1	YES	SUB. PARTS OF S.NO.3	MEMMYEDT624 377WNT
4	ALL MODELS	04040706040	HEX BOLT M6 X 40 - 8.8 SA3NS	2		INTERCHANGE ABLE WITH 20003325AA (ROHS)	
5	ALL MODELS	04030800006	M CD WASHER DIA 6.4XDIA 12.4X1.6	2			
6	ALL MODELS	04030400006	SPRING WASHER B-6	2			
7	ALL MODELS	20003354AB	HEX NUT M6 - 8 SA2JS	2		INTERCHANGE ABLE WITH	

Sr.	Model	Item Code	Description	Qty	Int.	Remarks	Cut Off
						20005491AA (ROHS)	
8	ALL MODELS	-	FRONT MESH ASSY	1		ASSY.	
10	ALL MODELS	04030600006	PLAIN WASHER DIA 6.4 *DIA 18 *1.5	12			
11	ALL MODELS	04041000006	HEX NYLOC NUT M6	12		INTERCHANGE ABLE WITH 20004915AB (ROHS)	
12	ALL MODELS	10051644AC	RADIATOR SEALING FOAM - G.T	1			
1	DI-20 GT	10051647AH	ALL VARRIANT FOR GARDENTRAC 4WD	1			
2	DI-20 GT	10051647AC	ASSY. SHEET METAL BONNET G.T. WITHOUT PAINT	1			
2	DI-20 GT	10051647AH	ASSY. SHEET METAL BONNET G.T. WITHOUT PAINT	1	YES		FMGSE418938G
3B	ALL MODELS	10051569AA	BONNET LOCK RESTING PLATE	1		SUB. PARTS OF S.NO.3	
3C	ALL MODELS	10051570AA	BONNET LOCK SPRING	1		SUB. PARTS OF S.NO.3	
3C	ALL MODELS	10051570AB	BONNET LOCK SPRING	1		SUB. PARTS OF S.NO.3	
9	ALL MODELS	20003518AA	HEX FLANGE SCREW M6*1*20-8.8 SA2JS	12		INTERCHANGE ABLE WITH 20005541AA (ROHS)	
9	ALL MODELS	20005541AA	HEX FLANGE SCREW M6*1*20 -8.8 SA4GS	12	YES		
11	ALL MODELS	20004915AB	HEX NYLOC NUT M6 8	12	YES		

15130A-1/1

BONNET ASSY WITH F.A.B.



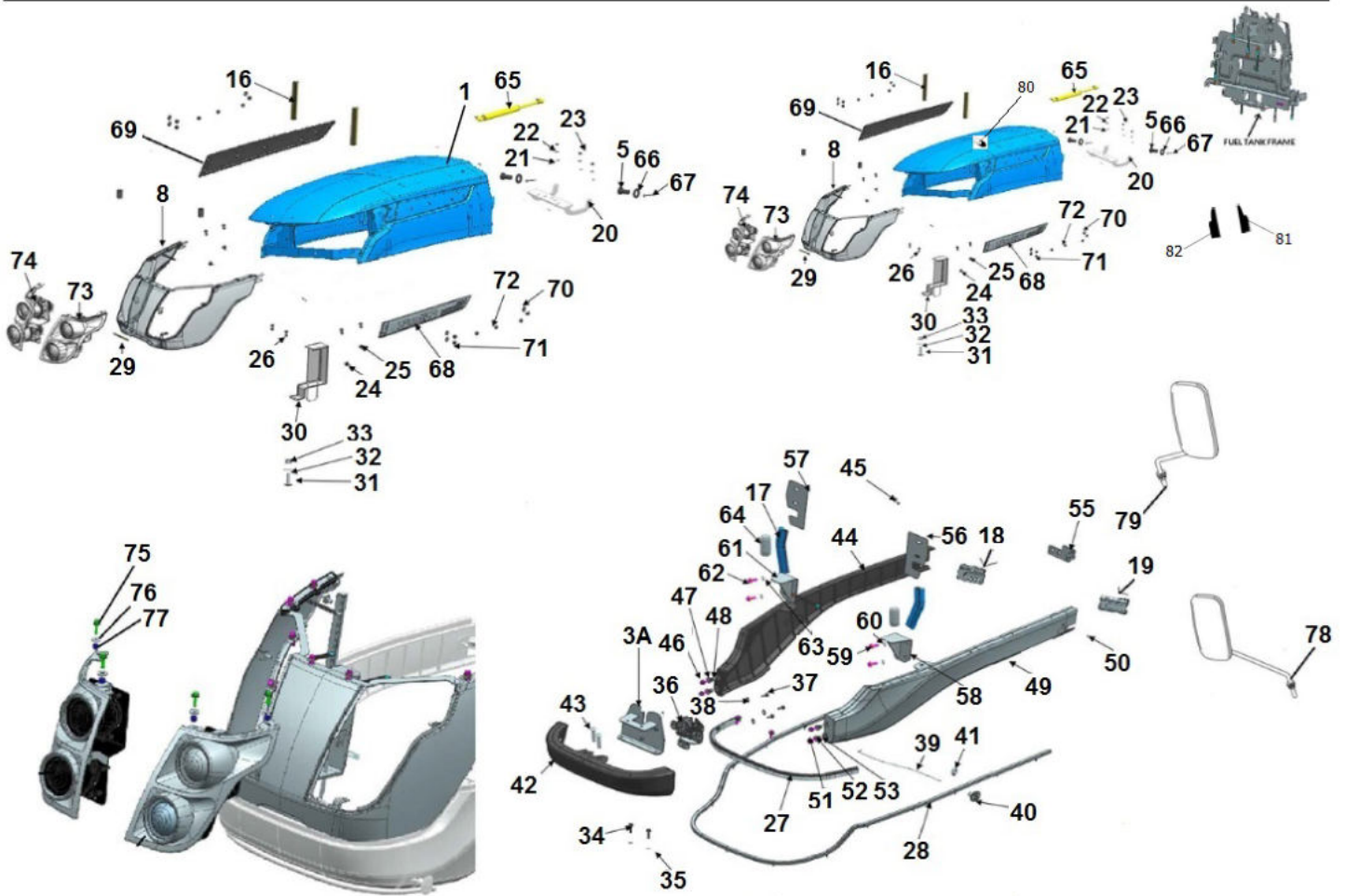
Sr.	Model	Item Code	Description	Qty	Int.	Remarks	Cut Off
8	ALL MODELS	10051580AC	HINGE PIN - G.T	2			
9	ALL MODELS	20005512AA	PUNCHED WASHER A14 IS:2016	2			
10	ALL MODELS	20005528AA	SPLIT PIN DIA 3.2*25	2			
16A	ALL MODELS	20002896AB	HEX SCREW FLANGE M8X 1.25-45 8.8 SA4JS	1			
12	ALL MODELS	10052969AA	BONNET STOPPER BRACKET	1	NO	NEW PART ADDED WITH IMPLEMENTATI ON OF MODIFIED FRONT AXLE BRACKET FROM	EMGSU508154G , MEMEMGSU510 327G

Sr.	Model	Item Code	Description	Qty	Int.	Remarks	Cut Off
16	ALL MODELS	20003286AB	HEX SCREW M8X1.25X35 8-8 SA2JS	1	NO	NEW PART ADDED WITH IMPLEMENTATION OF MODIFIED FRONT AXLE BRACKET FROM	EMGSU508154G , MEMEMGSU510327G
17	ALL MODELS	20003355AB	HEX NUT M8X1.25 -8 SA2JS	1	NO	NEW PART ADDED WITH IMPLEMENTATION OF MODIFIED FRONT AXLE BRACKET FROM	EMGSU508154G , MEMEMGSU510327G
18	SOLIS-20	10053795AA	GROOMET FOR REAR VIEW MIRROR	2		GROOMET FOR REAR VIEW MIRROR ADDED FROM	MEMCMGSU531267G
14	ALL MODELS	20003355AB	HEX NUT M8X1.25	1		INTERCHANGEABLE WITH 200000391A (ROHS)	
15	ALL MODELS	04030400008	SPRING WASHER B-8	1		INTERCHANGEABLE WITH 20005517AA (ROHS)	
16	ALL MODELS	20003931AA	CROSS SLOTTED TRUSS HEAD SCREW M6	1		INTERCHANGEABLE WITH 20003931AB (ROHS)	
17	ALL MODELS	04041000006	HEX NYLOC NUT M6	1		INTERCHANGEABLE WITH 20004915AB (ROHS)	
16A	ALL MODELS	20002896AA	HEX SCREW FLANGE M8X 1.25-45 8.8 SA2JS	1	YES	INTERCHANGEABLE WITH 20002896AC (ROHS)	MEMAMGSF548628G
1	ALL MODELS	-	BONNET SUB ASSY	1		ASSY	
2	DI-20 GT	10051625AA	STICKER FOR GARDENTRAC (BONNET-RH)	1			
2	DI-20 GT	10051625AB	STICKER FOR GARDENTRAC (BONNET-RH)	1	YES		FMGSV350234G
2A	SOLIS-20	10052896AB	BONNET STICKER SOLIS 20 RH	1			
2A	SOLIS-20	10052897AB	BONNET STICKER SOLIS 20 LH	1			
4	ALL MODELS	-	FRONT AXLE AREA ASSY	1		ASSY	
8	ALL MODELS	10051580AA	HINGE PIN - G.T	2		INTERCHANGEABLE WITH 10051580AC (ROHS)	
9	ALL MODELS	20004304AA	PUNCHED WASHER A14 IS:2016	2		INTERCHANGEABLE WITH 20005512AA (ROHS)	
10	ALL MODELS	04010103025	SPLIT PIN DIA 3X25	2		INTERCHANGEABLE WITH 20005528AA (ROHS)	
11	DI-20 GT	10050271AC	MIRROR ASSY (RIGHT)	1			

Sr.	Model	Item Code	Description	Qty	Int.	Remarks	Cut Off
11A	SOLIS-20	10051965AB	REAR VIEW MIRROR(LH)	1		VIEW NOT SHOWN	
11A	SOLIS-20	10051965AD	REAR VIEW MIRROR(LH)	1	YES	VIEW NOT SHOWN	MEMBMGST608530G
12	ALL MODELS	10051869AA	BONNET STAY LINKAGE ASSY (G.T)	1			
13	ALL MODELS	20003285AB	HEX SCREW M8X1.25X30	1			
11B	SOLIS-20	10052866AA	REAR VIEW MIRROR WITH EEC	1		VIEW NOT SHOWN	
11B	SOLIS-20	10052866AC	REAR VIEW MIRROR WITH EEC	1	YES	VIEW NOT SHOWN	MEMBMGST608530G
2	DI-20 GT	10051626AA	STICKER FOR GARDENTRAC (BONNET-LH)	1			
2	DI-20 GT	10051626AB	STICKER FOR GARDENTRAC (BONNET-LH)	1	YES		FMGGSV350234G
15	ALL MODELS	20005517AA	SPRING WASHER B-8 TYPE A IS: 3067-1972	1	YES		
17	ALL MODELS	20004915AB	HEX NYLOC NUT M6 8	1	YES		
18	SOLIS-20	10053795AB	GROOMET FOR REAR VIEW MIRROR	2	YES		

15140A-1/1

BONNET ASSY



Sr.	Model	Item Code	Description	Qty	Int.	Remarks	Cut Off
3A	ALL MODELS	300003771B	BONNET LOCK MTG BRKT ASSY	1			
5	ALL MODELS	300003799A	BONNET HINGE PIN	2			
21	ALL MODELS	20004917AB	HEX NYLOC NUT M8*1.25 8	3			
30	ALL MODELS	300028449B	LOCK STRICKER PIN ASSY	1			
41	ALL MODELS	300037247A	HEX NUT M4-8 SA4G	1			
43	ALL MODELS	20004652AB	TRUSS PHILIPS M/C SCREW M6X20	2			
45	ALL MODELS	20004652AB	TRUSS PHILIPS M/C SCREW M6X20	2			
50	ALL MODELS	20004652AB	TRUSS PHILIPS M/C SCREW M6X20	2			

Sr.	Model	Item Code	Description	Qty	Int.	Remarks	Cut Off
66	ALL MODELS	20005526AA	SPLIT PIN DIA 2*25	2			
80	ALL MODELS	300102890A	BONNET TOP SIDE FOAM LH	1		NEW PART ADDED	FOR EU MODELS-MEMRMKSNSF KH05625 FOR NON EU MODELS-FMKSS852097G 26
81	ALL MODELS	300102552A	BONNET SEALING FOAM LH	1		NEW PART ADDED	FOR EU MODELS-MEMRMKSNSF KH05625 FOR NON EU MODELS-FMKSS852097G 26
82	ALL MODELS	300102970A	BONNET SEALING FOAM LH	1		NEW PART ADDED	FOR EU MODELS-MEMRMKSNSF KH05625 FOR NON EU MODELS-FMKSS852097G 26
27	ALL MODELS	300104152A	BONNET BEEDING LOWER	1	YES		FOR EU MODELS-MEMRMKSNSF KH05625 FOR NON EU MODELS-FMKSS852097G 26
16	ALL MODELS	300095662A	BEADING FOR SEALING PLATE	2	YES		FOR EU MODELS-MEMRMKSNSF KH05625 FOR NON EU MODELS-FMKSS852097G 26
16	ALL MODELS	10086022AC	BEAADING FOR RADIATOR SEALING PLATE (TOP	2	YES		FOR EU MODELS-MEMRMGSNSE KH06698 FOR NON EU MODELS-EMKSS861555G 26
1	ALL MODELS	300007911B	BONNET ASSEMBLY W/O PAINT	1			
1	ALL MODELS	300008603B	BONNET ASSEMBLY CED COATED	1			
1	ALL MODELS	300008604B	BONNET ASSEMBLY WITH BLUE PAINT	1			
1	ALL MODELS	300008605B	BONNET ASSEMBLY WITH RED PAINT	1			
3A	ALL MODELS	10057503AC	BONNET LOCK MTG BRKT ASSY	1		INTERCHANGEABLE WITH 300003771B	

Sr.	Model	Item Code	Description	Qty	Int.	Remarks	Cut Off
						(ROHS)	
5	ALL MODELS	10057560AA	BONNET HINGE PIN	2		INTERCHANGEABLE WITH 300003799A (ROHS)	
8	ALL MODELS	10057491AC	FRONT MESH ASSY(W/O PAINT)	1			
8	ALL MODELS	10057492AC	FRONT MESH ASSY(CED COATED)	1		APN 10057491AC	
8	ALL MODELS	10057493AC	FRONT MESH ASSY(BLACK PAINT)	1			
16	ALL MODELS	10086022AC	BEADING RADIATOR SIDE SEALING UPPER	2			
17	ALL MODELS	10057567AB	BEADING RADIATOR SIDE SEALING LOWER	2			
18	ALL MODELS	300035529A	CLADDING GROMMET RH	1			
19	ALL MODELS	300035530A	CLADDING GROMMET LH	1			
20	ALL MODELS	300009407B	BONNET HINGE ASSY W/O PAINT	1			
21	ALL MODELS	04041000008	HEX NYLOCK NUT M8*1.25	3		INTERCHANGEABLE WITH 20004917AB (ROHS)	
22	ALL MODELS	04030600008	PLAIN WASHER DIA 8.4 *DIA 17*1.6	2			
23	ALL MODELS	04030400008	SPRING WASHER B-8	2		INTERCHANGEABLE WITH 20005517AA (ROHS)	
24	ALL MODELS	20003518AA	HEX FLANGE SCREW M6*1*20-8.8 SA2JS	10		INTERCHANGEABLE WITH 20005541AA (ROHS)	
25	ALL MODELS	04030600006	PLAIN WASHER DIA 6.4 *DIA 18 *1.5	10			
26	ALL MODELS	04041000006	HEX NYLOC NUT M6	6		INTERCHANGEABLE WITH 20004915AB (ROHS)	
27	ALL MODELS	10057569AD	BEADING BONNET LOWER SEALING	1			
28	ALL MODELS	10057565AC	BEADING FOR CLADDING	1			
29	ALL MODELS	300030619A	MESH SEALING BEEDING -GT	1			
30	ALL MODELS	10057499AC	LOCK STRICKER PIN ASSY	1			
31	ALL MODELS	20004885AA	CROSS SLOTTED TRUSS HEAD SCREW M6X20	1		INTERCHANGEABLE WITH 200000130A (ROHS)	
32	ALL MODELS	04030600006	PLAIN WASHER DIA 6.4 *DIA 18 *1.5	1			
33	ALL MODELS	04041000006	HEX NYLOC NUT M6	1		INTERCHANGEABLE WITH 20004915AB (ROHS)	
34	ALL MODELS	20003518AA	HEX FLANGE SCREW M6*1*20-8.8 SA2JS	2		INTERCHANGEABLE WITH 20005541AA (ROHS)	
35	ALL MODELS	04030400006	SPRING WASHER B-6	2			

Sr.	Model	Item Code	Description	Qty	Int.	Remarks	Cut Off
36	ALL MODELS	10057527AA	LOCK ASSY	1			
37	ALL MODELS	20003518AA	HEX FLANGE SCREW M6*1*20-8.8 SA2JS	3		INTERCHANGEABLE WITH 20005541AA (ROHS)	
38	ALL MODELS	04030600006	PLAIN WASHER DIA 6.4 *DIA 18 *1.5	3			
39	ALL MODELS	300009627A	LOCK ACTUATING ROD	1			
40	ALL MODELS	300027891A	KNOB FOR BONNET LOCK	1			
41	ALL MODELS	20003352AA	HEX NUT M4-8 SA3NS	1			
42	ALL MODELS	10057467AE	CLADDING FRONT	1			
43	ALL MODELS	20004652AA	TRUSS PHILIPS M/C SCREW M6X20	2		INTERCHANGEABLE WITH 20004652AB (ROHS)	
44	ALL MODELS	10057470AD	SIDE CLADDING ASSY. RH	1			
45	ALL MODELS	20004652AA	TRUSS PHILIPS M/C SCREW M6X20	2		INTERCHANGEABLE WITH 20004652AB (ROHS)	
46	ALL MODELS	20003518AA	HEX FLANGE SCREW M6*1*20-8.8 SA2JS	2		INTERCHANGEABLE WITH 20005541AA (ROHS)	
47	ALL MODELS	04030600006	PLAIN WASHER DIA 6.4 *DIA 18 *1.5	4			
48	ALL MODELS	04041000006	HEX NYLOC NUT M6	2		INTERCHANGEABLE WITH 20004915AB (ROHS)	
49	ALL MODELS	10057469AD	SIDE CLADDING ASSY. LH	1			
50	ALL MODELS	20004652AA	TRUSS PHILIPS M/C SCREW M6X20	2		INTERCHANGEABLE WITH 20004652AB (ROHS)	
51	ALL MODELS	20003518AA	HEX FLANGE SCREW M6*1*20-8.8 SA2JS	2		INTERCHANGEABLE WITH 20005541AA (ROHS)	
52	ALL MODELS	04030600006	PLAIN WASHER DIA 6.4 *DIA 18 *1.5	4			
53	ALL MODELS	04041000006	HEX NYLOC NUT M6	2		INTERCHANGEABLE WITH 20004915AB (ROHS)	
55	ALL MODELS	300007803C	CLADDING MTG BRKT LH	1			
56	ALL MODELS	10057547AB	FIXED SIDE SEALING PLATE LH	1			
57	ALL MODELS	300027628A	FIXED SIDE SEALING PLATE RH	1			
58	ALL MODELS	10057555AA	GROMET RESTING BRKT LH	1			
59	ALL MODELS	20003518AA	HEX FLANGE SCREW M6*1*20-8.8 SA2JS	2		INTERCHANGEABLE WITH 20005541AA (ROHS)	
60	ALL MODELS	04030400006	SPRING WASHER B-6	2			

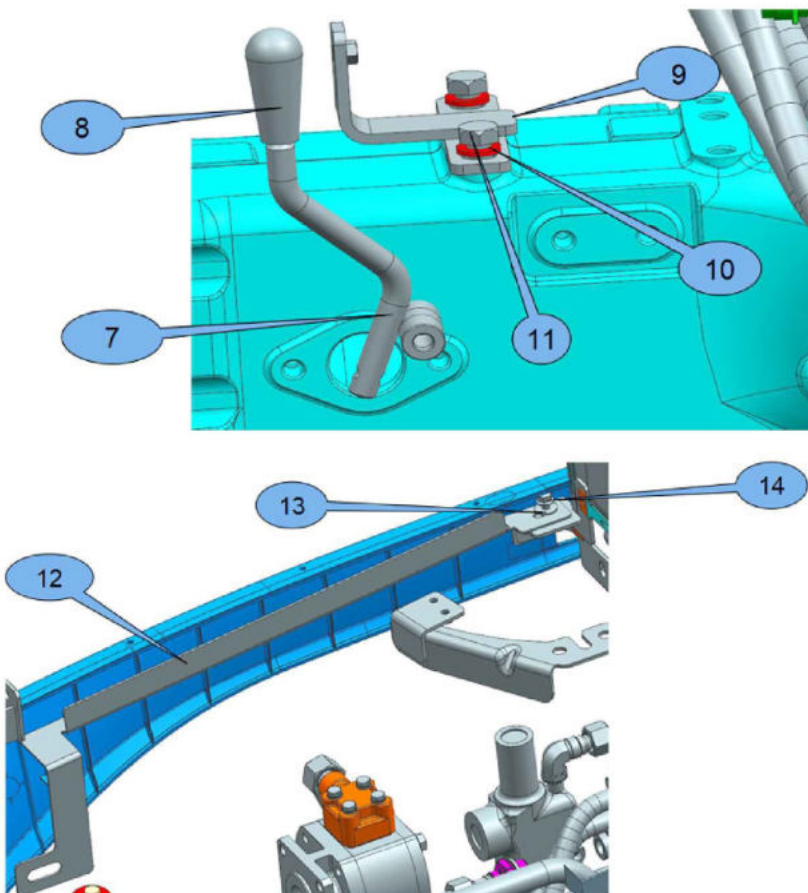
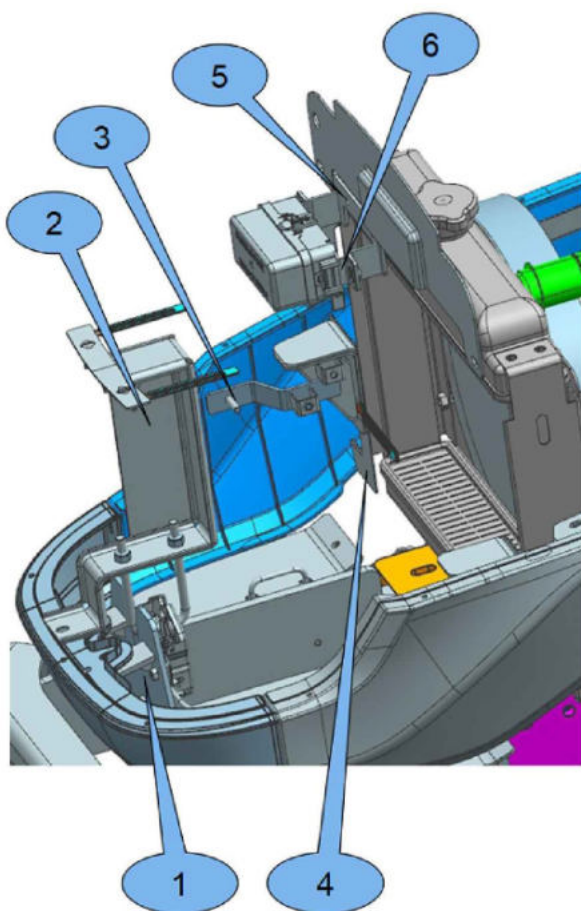
Sr.	Model	Item Code	Description	Qty	Int.	Remarks	Cut Off
61	ALL MODELS	10057556AA	GROMET RESTING BRKT RH	1			
62	ALL MODELS	20003518AA	HEX FLANGE SCREW M6*1*20-8.8 SA2JS	2		INTERCHANGEABLE WITH 20005541AA (ROHS)	
63	ALL MODELS	04030400006	SPRING WASHER B-6	2			
64	ALL MODELS	10071239AB	ADJUSTABLE GROMMET	2			
65	ALL MODELS	10057533AB	GAS SPRING ASSEMBLY	1			
66	ALL MODELS	20003676AB	SPLIT PIN DIA 2*25	2		INTERCHANGEABLE WITH 20005526AA (ROHS)	
67	ALL MODELS	20000100AA	M/CD WASHER 10.5*21*2	2		INTERCHANGEABLE WITH 20005625AA (ROHS)	
68	ALL MODELS	10057544AC	SOLIS SIDE BRANDING BONNET LH	1			
69	ALL MODELS	10057545AC	SOLIS SIDE BRANDING BONNET RH	1			
70	ALL MODELS	04030600006	PLAIN WASHER DIA 6.4 *DIA 18 *1.5	6			
71	ALL MODELS	20003354AB	HEX NUT M6 -8 SA2JS	6		INTERCHANGEABLE WITH 20005491AA (ROHS)	
72	ALL MODELS	10045780AB	RETAINING WASHER DIA 10	6		INTERCHANGEABLE WITH 300003841A (ROHS)	
73	ALL MODELS	10057643AB	HEAD LAMP (LHD) LH	1		FOR LEFT HAND DRIVE MODELS	
74	ALL MODELS	10057644AB	HEAD LAMP (LHD) RH	1		FOR LEFT HAND DRIVE MODELS	
73	ALL MODELS	10057645AB	HEAD LAMP (RHD) LH	1		FOR RIGHT HAND DRIVE MODELS	
74	ALL MODELS	10057646AB	HEAD LAMP (RHD) RH	1		FOR RIGHT HAND DRIVE MODELS	
75	ALL MODELS	20003518AA	HEX FLANGE SCREW M6*1*20-8.8 SA2JS	6		INTERCHANGEABLE WITH 20005541AA (ROHS)	
76	ALL MODELS	04030600006	PLAIN WASHER DIA 6.4 *DIA 18 *1.5	8			
77	ALL MODELS	04041000006	HEX NYLOC NUT M6	8		INTERCHANGEABLE WITH 20004915AB (ROHS)	
78	ALL MODELS	300032527A	REAR VIEW MIRROR ASSY LH	1			
79	ALL MODELS	300032540A	REAR VIEW MIRROR ASSY RH	1			
29	ALL MODELS	300037406A	RUBBER BEEDING	1	YES		MEMRMGSNSJH02493
68	ALL MODELS	10057544AE	SOLIS SIDE BRANDING BONNET LH	1	YES		FOR NON EU MODELS-CMKSG801611G

Sr.	Model	Item Code	Description	Qty	Int.	Remarks	Cut Off
							26 FOR EU MODELS- MEMRMGSNSK JH02853
69	ALL MODELS	10057545AE	SOLIS SIDE BRANDING BONNET RH	1	YES		FOR NON EU MODELS- CMKSG801611G 26 FOR EU MODELS- MEMRMGSNSK JH02853
23	ALL MODELS	20005517AA	SPRING WASHER B-8 TYPE A IS: 3067-1972	2	YES		
24	ALL MODELS	20005541AA	HEX FLANGE SCREW M6*1*20 -8.8 SA4GS	10	YES		
26	ALL MODELS	20004915AB	HEX NYLOC NUT M6 8	6	YES		
31	ALL MODELS	200000130A	CROSS SLOTTED TRUSS HEAD SCREW M6X20	1	YES		
33	ALL MODELS	20004915AB	HEX NYLOC NUT M6 8	1	YES		
34	ALL MODELS	20005541AA	HEX FLANGE SCREW M6*1*20 -8.8 SA4GS	2	YES		
37	ALL MODELS	20005541AA	HEX FLANGE SCREW M6*1*20 -8.8 SA4GS	3	YES		
46	ALL MODELS	20005541AA	HEX FLANGE SCREW M6*1*20 -8.8 SA4GS	2	YES		
48	ALL MODELS	20004915AB	HEX NYLOC NUT M6 8	2	YES		
51	ALL MODELS	20005541AA	HEX FLANGE SCREW M6*1*20 -8.8 SA4GS	2	YES		
53	ALL MODELS	20004915AB	HEX NYLOC NUT M6 8	2	YES		
59	ALL MODELS	20005541AA	HEX FLANGE SCREW M6*1*20 -8.8 SA4GS	2	YES		
62	ALL MODELS	20005541AA	HEX FLANGE SCREW M6*1*20 -8.8 SA4GS	2	YES		
67	ALL MODELS	20005625AA	M/CD WASHER 10.5*21*2	2	YES		
72	ALL MODELS	300003841A	RETAINING WASHER DIA 10	6	YES		
75	ALL MODELS	20005541AA	HEX FLANGE SCREW M6*1*20 -8.8 SA4GS	6	YES		
77	ALL MODELS	20004915AB	HEX NYLOC NUT M6 8	8	YES		
42	ALL MODELS	10057467AG	CLADDING FRONT	1	YES		MEMRMKSNSA LH10033
49	ALL MODELS	10057469AF	SIDE CLADDING ASSY. LH	1	YES		MEMRMKSNSA LH10033
44	ALL MODELS	10057470AF	SIDE CLADDING ASSY. RH	1	YES		MEMRMKSNSA LH10033
3A	SOLIS-20 EU FACELIFT (POWER STG.)	300076306A	BONNET LOCK MTG BRKT ASSY	1			
8	SOLIS-20 EU FACELIFT (POWER STG.)	10057491AE	FRONT MESH ASSY(W/O PAINT)	1			
8	SOLIS-20 EU FACELIFT (POWER STG.)	10057493AE	FRONT MESH ASSY(BLACK PAINT)	1			
30	SOLIS-20 EU FACELIFT (POWER STG.)	300076311A	LOCK STRICKER PIN ASSY	1			
43	SOLIS-20 EU FACELIFT (POWER STG.)	200000130A	CROSS SLOTTED TRUSS HEAD SCREW M6X20	2			

Sr.	Model	Item Code	Description	Qty	Int.	Remarks	Cut Off
45	SOLIS-20 EU FACELIFT (POWER STG.)	200000130A	CROSS SLOTTED TRUSS HEAD SCREW M6X20	2			
50	SOLIS-20 EU FACELIFT (POWER STG.)	200000130A	CROSS SLOTTED TRUSS HEAD SCREW M6X20	2			
57	SOLIS-20 EU FACELIFT (POWER STG.)	300133385A	SIDE SEALING PLATE	1			
61	SOLIS-20 EU FACELIFT (POWER STG.)	300133444A	GROMMET RESTING BKT ASSY RH	1			
64	SOLIS-20 EU FACELIFT (POWER STG.)	10071239AD	ADJUSTABLE GROMMET	2			
71	SOLIS-20 EU FACELIFT (POWER STG.)	20005491AA	HEX NUT M6 -8 SA4GS	6			
73	SOLIS-20 EU FACELIFT (PS)	10057643AC	HEAD LAMP (LHD) LH	1			
74	SOLIS-20 EU FACELIFT (POWER STG.)	10057644AC	HEAD LAMP (LHD) RH	1			

15141A-1/1

FUSE BOX MTG.

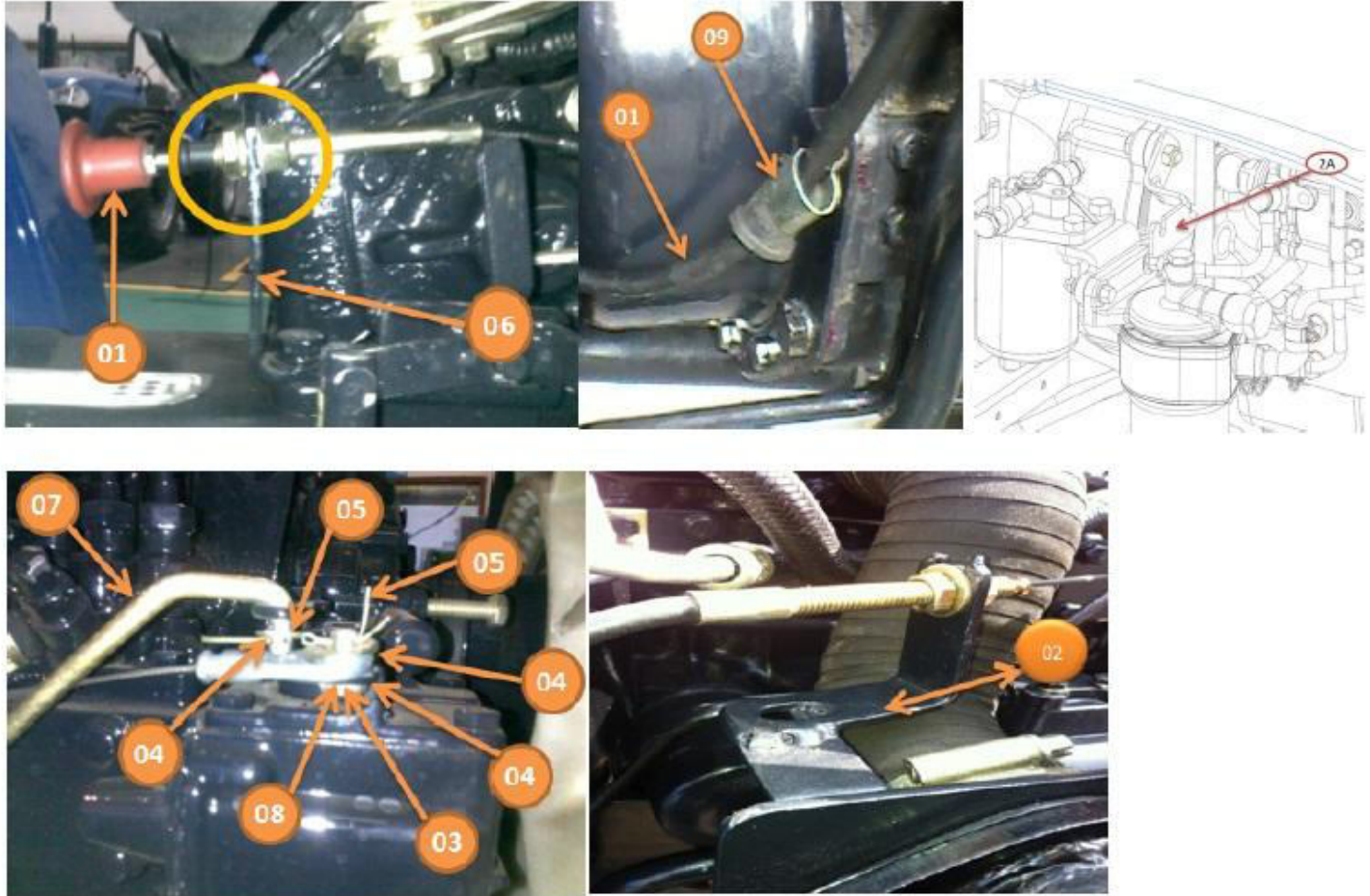


Sr.	Model	Item Code	Description	Qty	Int.	Remarks	Cut Off
1	ALL MODELS	300076306A	BONNET LOCK MTG BKT ASSY	1			
2	ALL MODELS	300076311A	LOCK STRIKER PIN ASSY	1			
3	ALL MODELS	300133444A	GROMMET RESTING BKT ASSY RH	1			
4	ALL MODELS	300133385A	SIDE SEALING PLATE	1			
5	ALL MODELS	300163472A	FUSE BOX MTG BRACKET SOLIS 20	1			
5.a	ALL MODELS	20004917AB	HEX NYLOC NUT M8*1.25 8	1			
5.b	ALL MODELS	04030800008	M/CD WASHER DIA 8.4 *DIA 17*1.6	1			
5.c	ALL MODELS	20004915AB	HEX NYLOC NUT M6 8	1			

Sr.	Model	Item Code	Description	Qty	Int.	Remarks	Cut Off
5.d	ALL MODELS	20005524AA	PLAIN WASHER A 6.4 IS:5370 STEEL	1			
6	ALL MODELS	300040752B	FUSE BOX MTG BRACKET	2			
6.a	ALL MODELS	04030400008	SPRING WASHER B-8	2			
6.b	ALL MODELS	200000430A	HEX. HEAD SCREW M8X1.25X20 8.8 SA4GS	2			
7	ALL MODELS	300146369A	LEVER 4WD	1			
8	ALL MODELS	10004846AA	KNOB (ROD ASSY / HANDLER PTO)	1			
9	ALL MODELS	300171865B	LOWER DASHBOARD MTG.	1			
10	ALL MODELS	20005585AA	HEX HEAD SCREW M10X20 8.8 SA4GS	2			
11	ALL MODELS	04030400010	SPRING WASHER B-10	2			
12	ALL MODELS	300131861C	HARNES SUPPORT BKT	1			
13	ALL MODELS	20005524AA	PLAIN WASHER A 6.4 IS:5370 STEEL	1			
14	ALL MODELS	20005542AA	HEX FLANGE SCREW M6*1*16 -8.8 SA4GS	1			

16110A-1/1

PULL TO STOP CABLE ASSY.

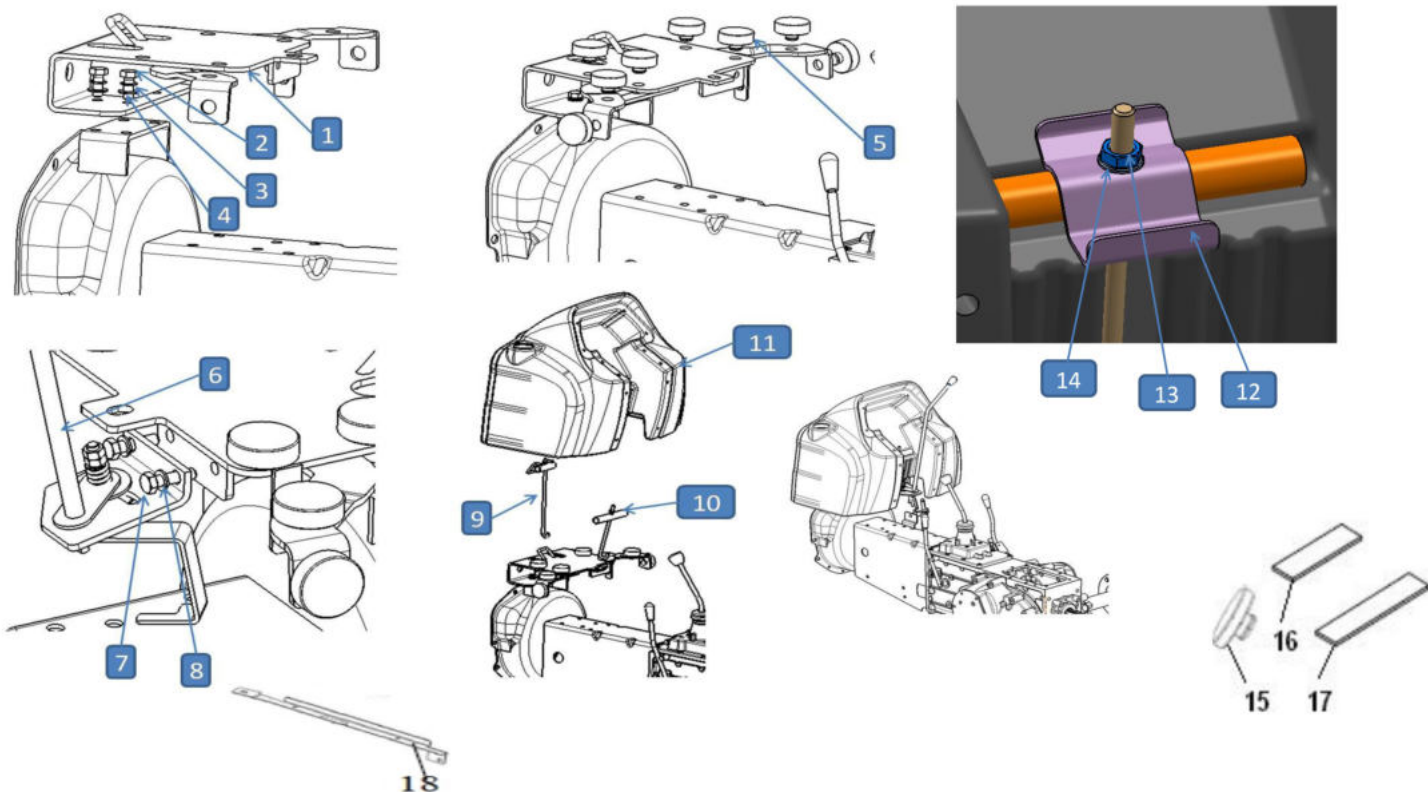


Sr.	Model	Item Code	Description	Qty	Int.	Remarks	Cut Off
5	ALL MODELS	20005527AA	SPLIT PIN DIA 1.6*20	2			
7	ALL MODELS	10051578AD	ACCELERATOR LINK FRONT	1			
9	ALL MODELS	10004860AC	CLAMPING STRIP	1			
1	ALL MODELS	10052351AB	PULL TO STOP CABLE ASSY	1	YES		EMGSU504715G
1	SOLIS-20 WITH TRUF TYRE,SOLIS-20 WITH 8.3-20 TYRE	10052351AB	PULL TO STOP CABLE ASSY	1			
2	ALL MODELS	10053906AB	PULL TO STOP MTG BKT SOLIS 20	1	NO		EMGSU504715G
2	SOLIS-20 WITH TRUF TYRE,SOLIS-20 WITH 8.3-20 TYRE	10053906AB	PULL TO STOP MTG BKT SOLIS 20	1			

Sr.	Model	Item Code	Description	Qty	Int.	Remarks	Cut Off
1	ALL MODELS	10052351AA	PULL TO STOP CABLE ASSY	1			
2	ALL MODELS	10051601BA	PULL TO STOP CABLE MTG BKT (ENGINE)	1			
3	ALL MODELS	10004177AB	PIN FOR ACCELATOR	1		INTERCHANGE ABLE WITH 10039604AA (ROHS)	
4	ALL MODELS	04030600006	PLAIN WASHER DIA 6.4 *DIA 18 *1.5	3			
5	ALL MODELS	04010116020	SPLIT PIN DIA 1.6*20	2		INTERCHANGE ABLE WITH 20005527AA (ROHS)	
6	ALL MODELS	10051602AB	PULL TO STOP CABLE MTG. BKT. (STEERING)	1			
7	ALL MODELS	10051578AC	ACCELERATOR LINK FRONT	1		INTERCHANGE ABLE WITH 10051578AD (ROHS)	
8	ALL MODELS	10023483AA	BUSH (PULL TO STOP CABLE ASSY)	1			
9	ALL MODELS	10004860AA	CLAMPING STRIP	1		INTERCHANGE ABLE WITH 10004860AC (ROHS)	
6	ALL MODELS	10053241AA	PULL TO STOP CABLE MTG. BKT. (STEERING)	1	NO		EMGSV357126G
3	ALL MODELS	10039604AA	PIN FOR ACCELERATOR	1	YES		
6	SOLIS-20 EU FACELIFT (POWER STG.)	300009690A	PULL TO STOP MTG BKT ASSY	1			

17110A-1/1

FUEL TANK

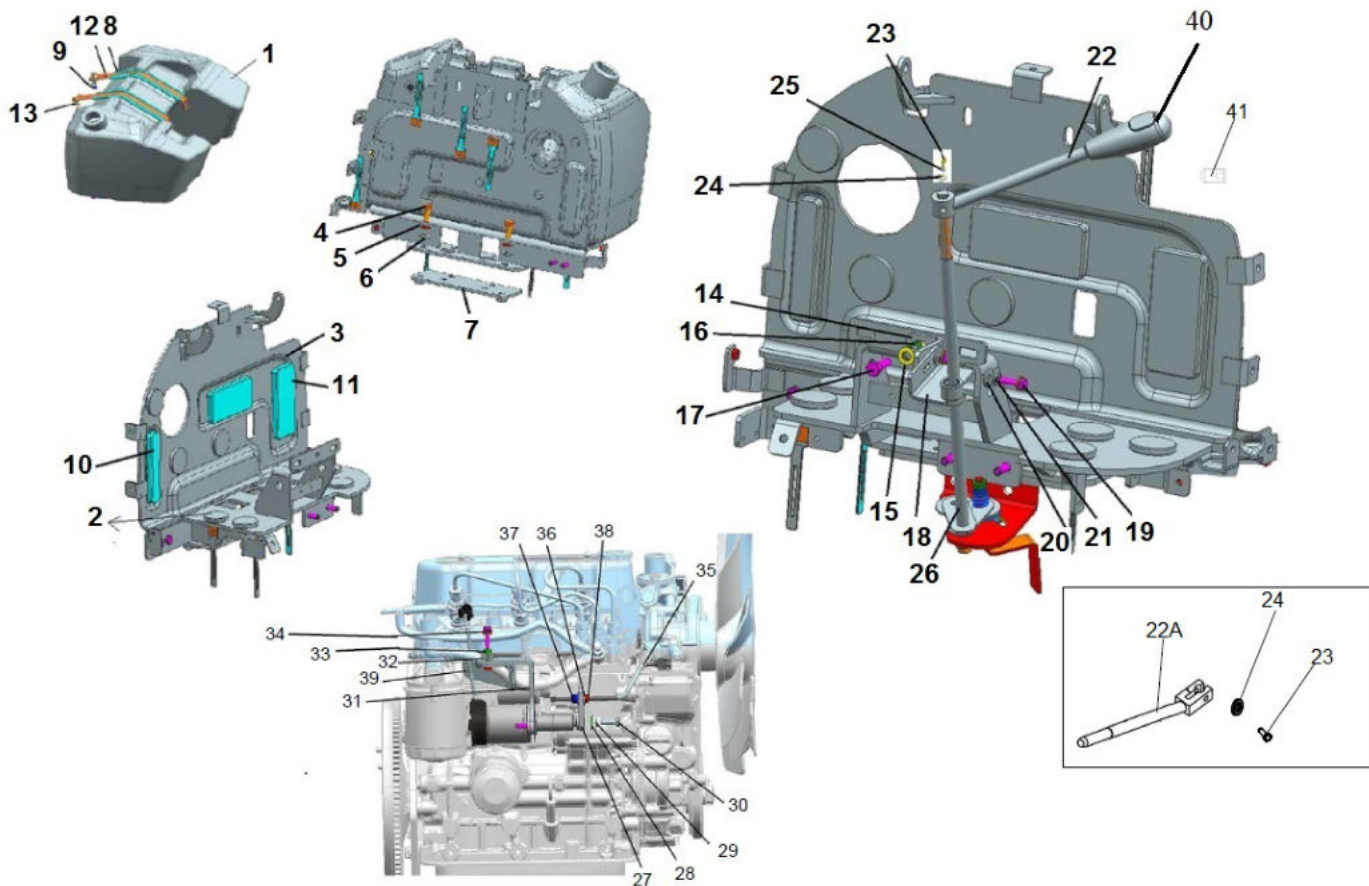


Sr.	Model	Item Code	Description	Qty	Int.	Remarks	Cut Off
7	ALL MODELS	20003646AB	HEX BOLT M8*1*30 8-8 SA4GS	2			
13	ALL MODELS	20004917AB	HEX NYLOC NUT M8*1.25 8	2			
1	ALL MODELS	10051163CF	FUELTANK MTG BKT	1	YES		AMGSE405761G
9	ALL MODELS	10051397AG	FRONT LOCKING ASSY	1	YES		AMGSE405761G
10	ALL MODELS	10051398AF	REAR LOCKING ASSY	1	YES		AMGSE405761G
15	ALL MODELS	10004600AA	RUBBER BUTTON (BIG) FOR FUEL TNK MTG PLT	1		PARTS ADDED WITH 10051163CF FROM	AMGSE405761G
16	ALL MODELS	10052424AA	RUBBER PAD A	1		PARTS ADDED WITH 10051163CF	AMGSE405761G

Sr.	Model	Item Code	Description	Qty	Int.	Remarks	Cut Off
						FROM	
17	ALL MODELS	10052425AA	RUBBER PAD B	1		PARTS ADDED WITH 10051163CF FROM	AMGSE405761G
6	DI-20 GT WITH 1SA (NEPAL,MEXICO),SOLIS 20	10053242BA	HAND ACCELERATOR ASSY	1	NO		DMGSU522355G
1	ALL MODELS	10051163CD	FUELTANK MTG BKT	1			
2	ALL MODELS	20002015AB	HEX HEAD SCREW M10 x 1.5 x 25 8-8 SA2JS	4			
3	ALL MODELS	04030400010	SPRING WASHER B-10	4			
4	ALL MODELS	04030800010	M/CD WASHER DIA 10.5 *DIA 21*2	4			
5	ALL MODELS	10004600AA	RUBBER BUTTON (BIG	8		INTERCHANGEABLE WITH 10004600AB (ROHS)	
6	ALL MODELS	10051103CC	HAND ACCELERATOR ASSY	1			
7	ALL MODELS	4041208030	HEX BOLT M8*1*30	2			
8	ALL MODELS	04030400008	SPRING WASHER B-8	2		INTERCHANGEABLE WITH 20005517AA (ROHS)	
9	ALL MODELS	10051397AE	FRONT LOCKING ASSY	1			
10	ALL MODELS	10051398AE	REAR LOCKING ASSY	1			
11	ALL MODELS	10051134BC	INTEGRATED FUEL TANK	1			
12	ALL MODELS	10051894AA	FRT ROD SUPPORT BRKT (G.T)	1			
13	ALL MODELS	04041000008	HEX NYLON NUT M8X1.25-8SA2GS	2		INTERCHANGEABLE WITH 20004917AB (ROHS)	
14	ALL MODELS	04030600008	PLAIN WASHER DIA.8.4X DIA 17 X1.6	2			
6	ALL MODELS	10053242AA	HAND ACCELERATOR ASSY	1	NO		EMGSV357126G
1	SOLIS-20 EXCEPT TRUFF TYRES MODELS	10051163CG	FUELTANK MTG BKT	1	YES		MEMBMGSF538031G
5	ALL MODELS	10004600AB	RUBBER BUTTON (BIG) FOR FUEL TNK MTG PLT	8	YES		
8	ALL MODELS	20005517AA	SPRING WASHER B-8 TYPE A IS: 3067-1972	2	YES		
15	ALL MODELS	10004600AB	RUBBER BUTTON (BIG) FOR FUEL TNK MTG PLT	1	YES		
18	SOLIS 20 FL PS MODELS	300131861A	HARNESS SUPPORT BKT	1			
18	SOLIS 20 FL PS MODELS	300131861B	HARNESS SUPPORT BKT	1	YES		MEMRMGSNSB LH09451

17111A-1/1

FUEL TANK



Sr.	Model	Item Code	Description	Qty	Int.	Remarks	Cut Off
13	ALL MODELS	20004941AB	M/C WASHER DIA 6.4*DIA 12.4*1.6	2			
26	ALL MODELS	300024516E	HAND ACCELERATOR ASSY	1			
40	SOLIS-20	300025664B	HAND ACCELERATOR KNOB	1			
1	ALL MODELS	10057513AB	FUEL TANK ASSEMBLY	1			
2	ALL MODELS	10056338AA	RUBBER BUTTON	8			
3	ALL MODELS	300024561E	FUEL TANK FRAME ASSEMBLY	1			
4	ALL MODELS	20002015AC	HEX. HEAD SCREW M10 x 1.5 x 25 8-8 SA4JS	2			
5	ALL MODELS	04030400010	SPRING WASHER B-10	2			

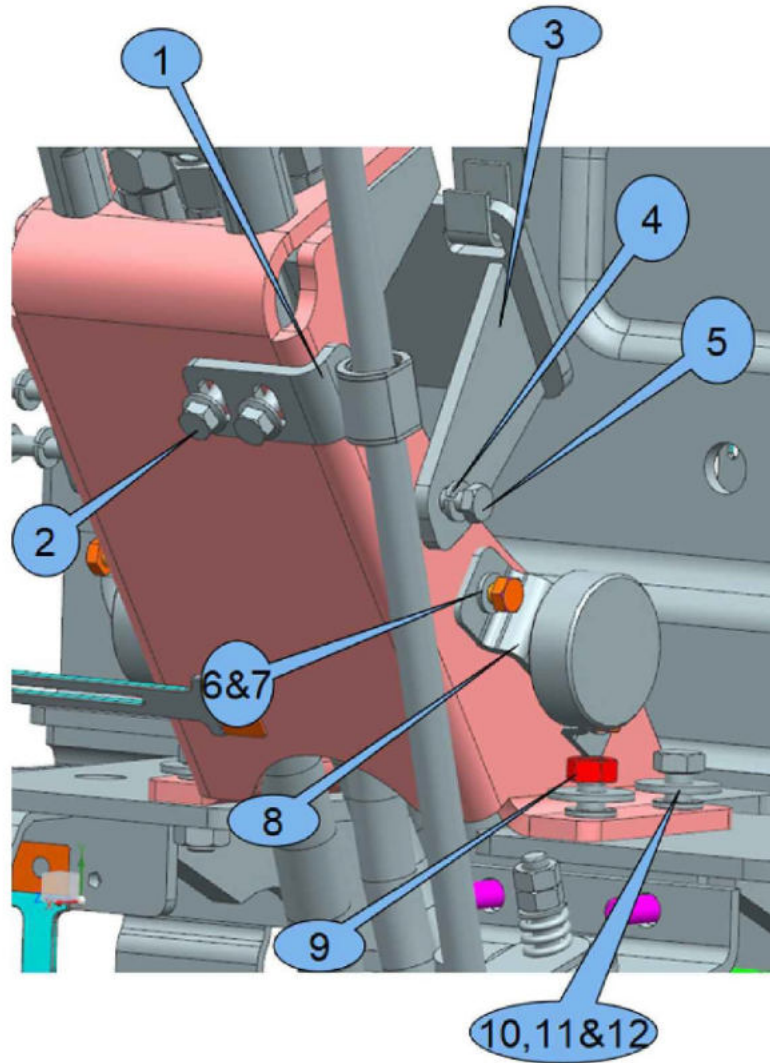
Sr.	Model	Item Code	Description	Qty	Int.	Remarks	Cut Off
6	ALL MODELS	04030800010	CD washer	2			
7	ALL MODELS	300025181A	BASE PLATE FOR FUEL TANK FRAME	1			
8	ALL MODELS	10014841AA	FUEL TANK STRAP RUBBER	2			
9	ALL MODELS	04041000006	HEX NYLOC NUT M6	2		INTERCHANGEABLE WITH 20004915AB (ROHS)	
10	ALL MODELS	10057709AB	FUEL TANK RESTING RUBBER PAD	1			
11	ALL MODELS	10057710AB	FUEL TANK RESTING RUBBER PAD	2			
12	ALL MODELS	300007809C	STRAP ASSY	2			
13	ALL MODELS	20004941AA	M/C WASHER DIA 6.4*DIA 12.4*1.6	2		INTERCHANGEABLE WITH 20004941AB (ROHS)	
14	ALL MODELS	300035449A	GUIDE HOLDING BRACKET	1			
15	ALL MODELS	04030600008	PLAIN WASHER DIA 8.4 *DIA 17*1.6	1			
16	ALL MODELS	04030400008	SPRING WASHER B-8	1		INTERCHANGEABLE WITH 20005517AA (ROHS)	
17	ALL MODELS	20003285AB	HEX. HEAD SCREW M8 x 1.25-25 8-8 SA2JS	1			
18	ALL MODELS	300035456A	HAND ACCLERATOR GUIDE	1			
19	ALL MODELS	20003518AA	HEX FLANGE SCREW M6*1*20-8.8 SA2JS	2		INTERCHANGEABLE WITH 20005541AA (ROHS)	
20	ALL MODELS	04030600006	PLAIN WASHER DIA 6.4 *DIA 18 *1.5	2			
21	ALL MODELS	04030400006	SPRING WASHER B-6	2			
22	ALL MODELS	10056157AA	TOP LEVER HAND ACCELERATOR (W/O PAINT)	1			
22	ALL MODELS	10056354AA	TOP LEVER HAND ACCELERATOR (POWDER COATING)	1			
23	ALL MODELS	20004440AA	HEX SCREW M6X10 8.8 SA2JS	1		INTERCHANGEABLE WITH 20005573AA (ROHS)	
24	ALL MODELS	04030600006	PLAIN WASHER DIA 6.4 *DIA 18 *1.5	1			
25	ALL MODELS	04030400006	SPRING WASHER B-6	1			
26	ALL MODELS	300024516C	HAND ACC ASSY	1		INTERCHANGEABLE WITH 300024516E (ROHS)	
27	ALL MODELS	300009609A	FRONT BKT. SOLENOID	1			
28	ALL MODELS	04030600006	PLAIN WASHER DIA 6.4 *DIA 18 *1.5	1			
29	ALL MODELS	04030400006	SPRING WASHER B-6	1			
30	ALL MODELS	20003518AA	HEX FLANGE SCREW M6*1*20-8.8 SA2JS	1		INTERCHANGEABLE WITH 20005541AA (ROHS)	

Sr.	Model	Item Code	Description	Qty	Int.	Remarks	Cut Off
31	ALL MODELS	300009612A	BRACKET SOLENOID	1			
32	ALL MODELS	04030600006	PLAIN WASHER DIA 6.4 *DIA 18 *1.5	2			
33	ALL MODELS	04030400006	SPRING WASHER B-6	2			
34	ALL MODELS	20003518AA	HEX FLANGE SCREW M6*1*20-8.8 SA2JS	2		INTERCHANGEABLE WITH 20005541AA (ROHS)	
35	ALL MODELS	300009608C	ROD ASSEMBLY	1			
36	ALL MODELS	04030600006	PLAIN WASHER DIA 6.4 *DIA 18 *1.5	3			
37	ALL MODELS	04041000006	HEX NYLOC NUT M6	1		INTERCHANGEABLE WITH 20004915AB (ROHS)	
38	ALL MODELS	20003354AB	HEX NUT M6 -8 SA2JS	1		INTERCHANGEABLE WITH 20005491AA (ROHS)	
39	ALL MODELS	300009690A	PULL TO STOP MTG BRACKET	1			
40	SOLIS-20	10053755AC	KNOB FOR HAND ACCELERATOR	1			FMKSG739250G 26D
9	ALL MODELS	20004915AB	HEX NYLOC NUT M6 8	2	YES		
16	ALL MODELS	20005517AA	SPRING WASHER B-8 TYPE A IS: 3067-1972	1	YES		
19	ALL MODELS	20005541AA	HEX FLANGE SCREW M6*1*20 -8.8 SA4GS	2	YES		
30	ALL MODELS	20005541AA	HEX FLANGE SCREW M6*1*20 -8.8 SA4GS	1	YES		
34	ALL MODELS	20005541AA	HEX FLANGE SCREW M6*1*20 -8.8 SA4GS	2	YES		
37	ALL MODELS	20004915AB	HEX NYLOC NUT M6 8	1	YES		
3	SOLIS-20 (PS)	300171699A	FUEL TANK FRAME ASSY	1			
3	SOLIS-20 (PS)	300171699B	FUEL TANK FRAME ASSY	1	YES		MEMRMGSNSB LH09451
22A	ALL MODELS	300062347A	TOP LEVER HAND ACCELERATOR (BLACK POWDER)	1	As a set	Following parts are (10056354AA, 20004440AA, 04030600006,0 4030400006,10 085580AA, 300024516C) interchangeable as a set with (300062347A, 20005570AA, 20005516AA, 300024516D)	MEMG412H3HH WS2466
23	ALL MODELS	20005570AA	HEX. SCREW M6*25 SA4GS	1	As a set	Following parts are (10056354AA, 20004440AA, 04030600006,0 4030400006,10 085580AA, 300024516C) interchangeable as a set with	MEMG412H3HH WS2466

Sr.	Model	Item Code	Description	Qty	Int.	Remarks	Cut Off
						(300062347A, 20005570AA, 20005516AA, 300024516D)	
24	ALL MODELS	20005516AA	SPRING WASHER B-6 TYPE A IS: 3067-1972	1	As a set	Following parts are (10056354AA, 20004440AA, 04030600006,0 4030400006,10 085580AA, 300024516C) interchangeable as a set with (300062347A, 20005570AA, 20005516AA, 300024516D)	MEMG412H3HH WS2466
41	ALL MODELS	10085580AA	GRUB SCREW M6X1	1			
26	ALL MODELS	300024516D	HAND ACCELERATOR ASSY	1	As a set	Following parts are (10056354AA, 20004440AA, 04030600006,0 4030400006,10 085580AA, 300024516C) interchangeable as a set with (300062347A, 20005570AA, 20005516AA, 300024516D)	MEMG412H3HH WS2466
6	SOLIS-20 EU FACELIFT (POWER STG.)	20000100AA	M/CD WASHER 10.5*21*2	2			
12	SOLIS-20 EU FACELIFT (POWER STG.)	10057518AC	STRAP	2			
17	SOLIS-20 EU FACELIFT (POWER STG.)	20005564AA	HEX HEAD SCREW M8X1.25-25 -8.8 SA4GS	1			
38	SOLIS-20 EU FACELIFT (POWER STG.)	20005491AA	HEX NUT M6 -8 SA4GS	1			

17112A-1/1

HAND ACCELERATOR AREA POWER STG.

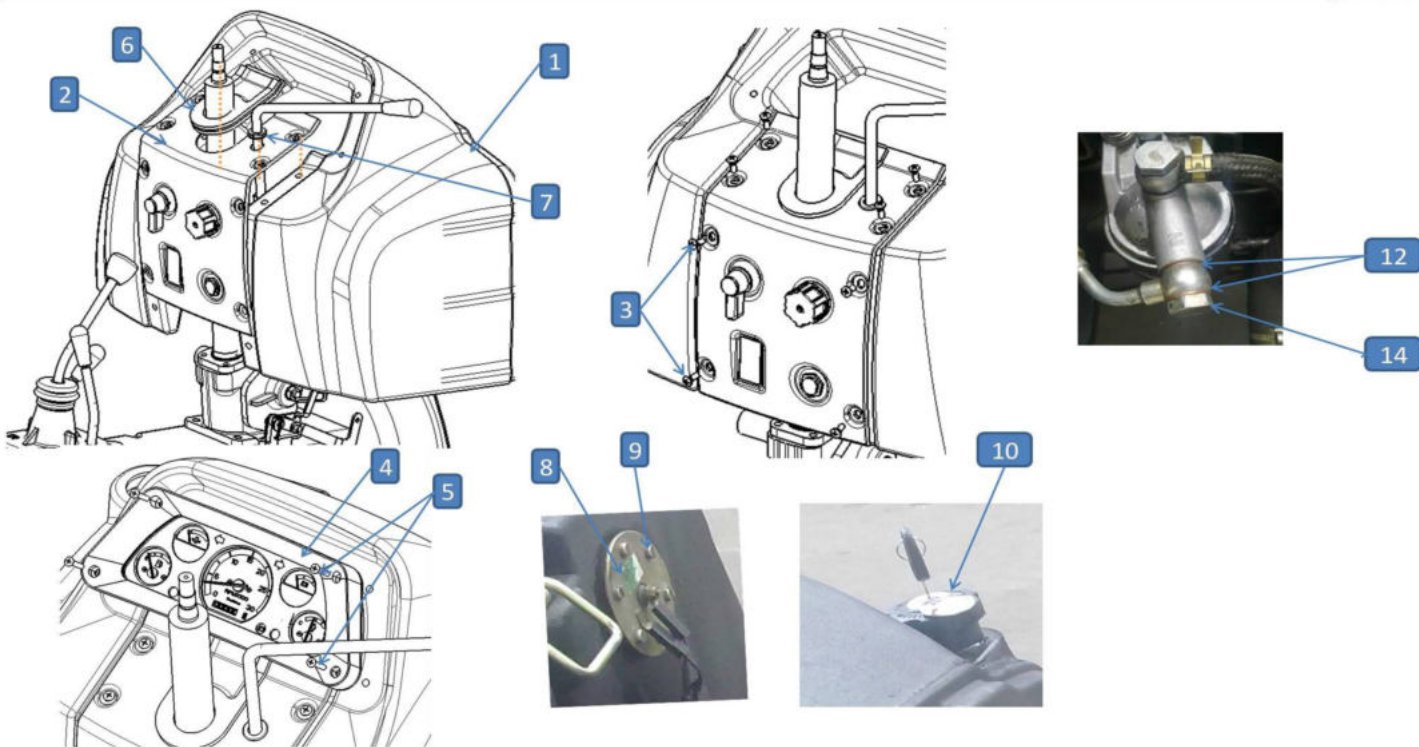


Sr.	Model	Item Code	Description	Qty	Int.	Remarks	Cut Off
1	ALL MODELS	300171916A	BKT ASSY FOR HAND ACCELERATOR GUIDE	1			
2	ALL MODELS	20005542AA	HEX FLANGE SCREW M6*1*16 -8.8 SA4GS	2			
3	ALL MODELS	10056203AA	FUEL TANK STRAP MOUNTING BRACKET	1			
4	ALL MODELS	04030400006	SPRING WASHER B-6	3			
5	ALL MODELS	20005569AA	HEX SCREW M6X1X20	3			
6	ALL MODELS	04030400006	SPRING WASHER B-6	4			
7	ALL MODELS	20005496AA	HEX HEAD SCREW M6X1X14 8.8 SA4GS	4			
8	ALL MODELS	10054143AA	U-STRIP FUEL TANK STOPPER	2			

Sr.	Model	Item Code	Description	Qty	Int.	Remarks	Cut Off
9	ALL MODELS	20005504AA	HEX NUT M8X1.25 -8 SA4GS	1			
10	ALL MODELS	04030600008	PLAIN WASHER DIA 8.4 *DIA 17*1.6	4			
11	ALL MODELS	04030400008	SPRING WASHER B-8	4			
12	ALL MODELS	20005564AA	HEX HEAD SCREW M8X1.25-25 -8.8 SA4GS	3			

17120A-1/2

FUEL TANK & RELATED



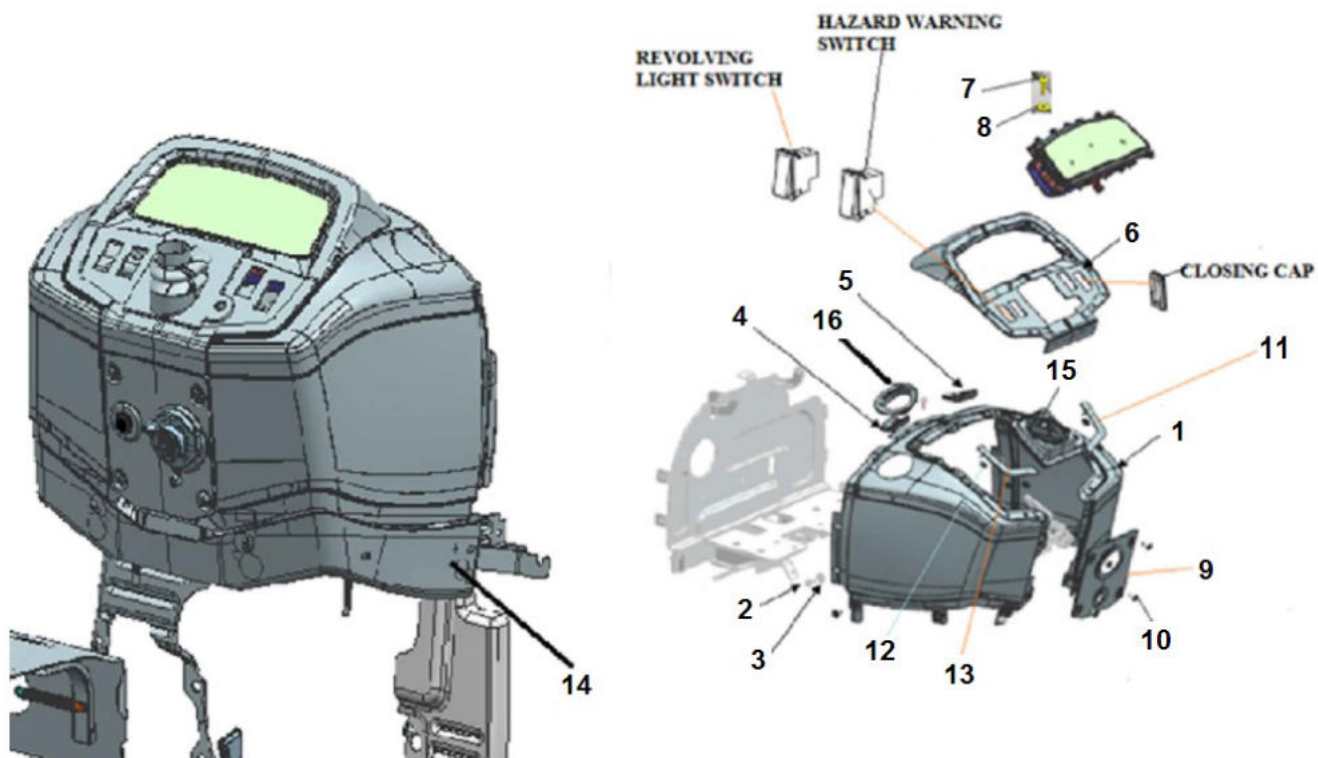
Sr.	Model	Item Code	Description	Qty	Int.	Remarks	Cut Off
5	ALL MODELS	200000385A	SLOTTED CHEESE HEAD SCREW M5*30	4			
7	ALL MODELS	10051400AC	GROMMET FOR HAND ACCELERATOR	1			
10	SOLIS-20,GT-20 WITH 1SA (NEPAL,MEXICO),	10070894AD	FUEL TANK CAP (DOUBLE LOCK) HOMOLOGATION	1			
10	SOLIS-20,GT-20 WITH 1SA (NEPAL,MEXICO),	10070894AD	FUEL TANK CAP (DOUBLE LOCK) HOMOLOGATION	1	YES		KZSDU526037S 3
12	ALL MODELS	04030214020	SEALING WASHER DIA14.2*DIA19.9*1.5	2			
14	ALL MODELS	04080100014	BENJO BOLT M14*1.5*26	1		INTERCHANGEABLE WITH 20005003AB (ROHS)	
4P	COMMON FOR ALL CLUSTER IN DI-20 GT, SOLIS-20	10051421AA	VENT TUBE	3		SUB PART OF INSTRUMENT CLUSTER S.	

Sr.	Model	Item Code	Description	Qty	Int.	Remarks	Cut Off
						NO.4 (NOT SHOWN)	
10	SOLIS-20	10070894AE	FUEL TANK CAP (DOUBLE LOCK) HOMOLOGATION	1	YES		MEMHMKST651390G26
4	ALL MODELS	10051287AB	INSTRUMENT CLUSTER	1			
4	ALL MODELS	10051287AC	INSTRUMENT CLUSTER	1	YES		BMGSV327703G
4	ALL MODELS	10051287AD	INSTRUMENT CLUSTER	1	YES		EMGSV360736G
4	ALL MODELS	10051287AE	INSTRUMENT CLUSTER	1	YES		GMGSE416344G
1	ALL MODELS	-	INTEGRATED FUEL TANK ASSY	1		ASSY	
2	ALL MODELS	-	FRONT PANEL ASSY	1		ASSY	
3	ALL MODELS	20003931AA	CROSS SLOTTED TRUSS HEAD SCREW M6X16	8		INTERCHANGEABLE WITH 20003931AB (ROHS)	
4A	WITH 10051287AB	10051406AA	ASSLY. ELECT. Hr. RPM METER	1		SUB PART OF INSTRUMENT CLUSTER S. NO.4 (NOT SHOWN)	
4A	WITH 10051287AC,WITH 10051287AD	10051406AB	ASSLY. ELECT. Hr. RPM METER	1		SUB PART OF INSTRUMENT CLUSTER S. NO.4 (NOT SHOWN)	
4B	COMMON FOR ALL CLUSTER IN DI-20 GT, SOLIS-20	10051407AA	ASSLY. FUEL GAUGE	1		SUB PART OF INSTRUMENT CLUSTER S. NO.4 (NOT SHOWN)	
4C	COMMON FOR ALL CLUSTER IN DI-20 GT, SOLIS-20	10051408AA	ASSLY. ELECT. TEMP. GAUGE	1		SUB PART OF INSTRUMENT CLUSTER S. NO.4 (NOT SHOWN)	
4D	COMMON FOR ALL CLUSTER IN DI-20 GT, SOLIS-20	10051409AA	GEAR SEQUENCING MONOGRAM	1	APN 10051287AE	SUB PART OF INSTRUMENT CLUSTER S. NO.4 (NOT SHOWN)	
4E	COMMON FOR ALL CLUSTER IN DI-20 GT, SOLIS-20	10051410AA	PTO MONOGRAM	1		SUB PART OF INSTRUMENT CLUSTER S. NO.4 (NOT SHOWN)	
4F	COMMON FOR ALL CLUSTER IN DI-20 GT, SOLIS-20	10051411AA	CASE (CLUSTER HOUSING)	1		SUB PART OF INSTRUMENT CLUSTER S. NO.4 (NOT SHOWN)	
4G	COMMON FOR ALL CLUSTER IN DI-20 GT, SOLIS-20	10051412AA	BEZEL	1		SUB PART OF INSTRUMENT CLUSTER S. NO.4 (NOT SHOWN)	
4H	COMMON FOR ALL CLUSTER IN DI-20 GT, SOLIS-20	10051413AA	PANEL	1		SUB PART OF INSTRUMENT CLUSTER S. NO.4 (NOT SHOWN)	

Sr.	Model	Item Code	Description	Qty	Int.	Remarks	Cut Off
4I	COMMON FOR ALL CLUSTER IN DI-20 GT, SOLIS-20	10051414AA	GLASS	1		SUB PART OF INSTRUMENT CLUSTER S. NO.4 (NOT SHOWN)	
4J	COMMON FOR ALL CLUSTER IN DI-20 GT, SOLIS-20	10051415AA	WIRE HARNESS	1		SUB PART OF INSTRUMENT CLUSTER S. NO.4 (NOT SHOWN)	
4K	COMMON FOR ALL CLUSTER IN DI-20 GT, SOLIS-20	10051416AA	LAMP (GEN. ILLU.) WARNING INDICATORS	3		SUB PART OF INSTRUMENT CLUSTER S. NO.4 (NOT SHOWN)	
4L	COMMON FOR ALL CLUSTER IN DI-20 GT, SOLIS-20	10051417AA	SEALING RING	1		SUB PART OF INSTRUMENT CLUSTER S. NO.4 (NOT SHOWN)	
4M	COMMON FOR ALL CLUSTER IN DI-20 GT, SOLIS-20	10051418AA	FITMENT KIT	1		SUB PART OF INSTRUMENT CLUSTER S. NO.4 (NOT SHOWN)	
5	ALL MODELS	04042905030	SLOTTED CHEESE HEAD SCREW M5X30	4		INTERCHANGEABLE WITH 200000385A (ROHS)	
6	ALL MODELS	10051142CA	DASHBOARD STEERING COLUMN GROMMET	1			
7	ALL MODELS	10051400AA	GROMMET FOR HAND ACCEL RATOR	1		INTERCHANGEABLE WITH 10051400AC (ROHS)	
8	ALL MODELS	10051332AA	FUEL GAUGE	1			
9	ALL MODELS	04042905012	SCREW M5X12	6			
10	ALL MODELS EXCEPT SOLIS-20,GT-20 WITH 1SA (NEPAL,MEXICO),	10071015AC	FUEL TANK CAP WITH KEY	1			
10	SOLIS-20,GT-20 WITH 1SA (NEPAL,MEXICO),	10070894AB	FUEL TANK CAP (DOUBLE LOCK) HOMOLOGATION	1		INTERCHANGEABLE WITH 10070894AD (ROHS)	
4N	WITH 10051287AB, 10051287AC,WITH 10051287AD	10051419AA	ASSLY. RPM PCB	1		SUB PART OF INSTRUMENT CLUSTER S. NO.4 (NOT SHOWN)	
4O	WITH 10051287AB, 10051287AC,WITH 10051287AD	10051420AA	ASSLY. HOURMETER	1		SUB PART OF INSTRUMENT CLUSTER S. NO.4 (NOT SHOWN)	
6	ALL MODELS	10053243AB	DASHBOARD STEERING COLUMN GROMMET	1	NO		EMGSV357126G
14	ALL MODELS	20005003AB	BENJO BOLT M14*1.5*26 SA4GS	1	YES		
10	SOLIS-20	10070894AF	FUEL TANK CAP (DOUBLE LOCK) HOMOLOGATION	1	YES		MEMRMSDNS3 HH910522

17121A-1/1

DASHBOARD

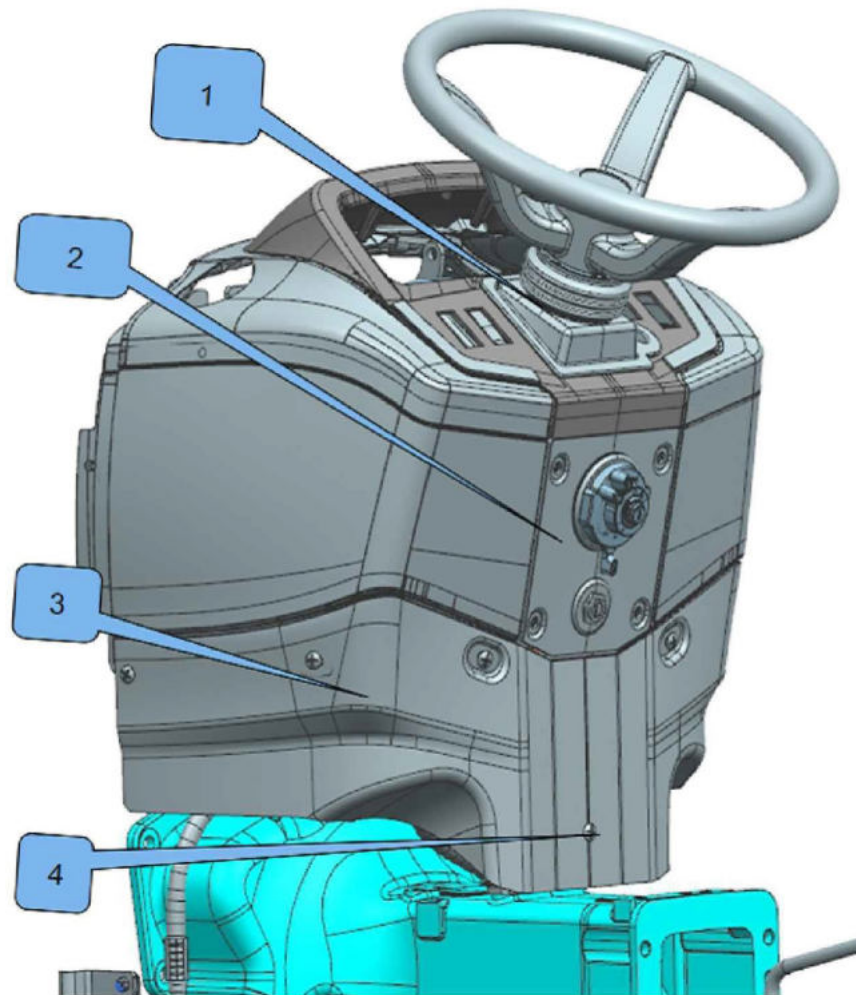


Sr.	Model	Item Code	Description	Qty	Int.	Remarks	Cut Off
8	ALL MODELS	300032712A	WASHER	5			
12	ALL MODELS	300003840A	RETAINING WASHER DIA 6	6			
1	ALL MODELS	300000486B	DASHBOARD ASSY W/O PAINT	1			
1	ALL MODELS	300000482B	DASHBOARD ASSY CED COATED	1		APN 300000486B	
1	ALL MODELS	300000483B	DASHBOARD ASSY WITH BLUE PAINT	1			
1	ALL MODELS	300000484B	DASHBOARD ASSY WITH RED PAINT	1			
2	ALL MODELS	20003517AB	HEX FLANGE SCREW M6*1*16-8.8 SA4JS	5		INTERCHANGEABLE WITH 20005542AA (ROHS)	

Sr.	Model	Item Code	Description	Qty	Int.	Remarks	Cut Off
3	ALL MODELS	04030600006	PLAIN WASHER DIA 6.4 *DIA 18 *1.5	5			
4	ALL MODELS	300009568A	HINGE GROMMET LH	1			
5	ALL MODELS	300009569A	HINGE GROMMET RH	1			
6	ALL MODELS	10057566AC	CLUSTER PANEL	1			
7	ALL MODELS	20004649AA	TAPPING SCREW M5X20 SA2NS	3		INTERCHANGE ABLE WITH 200000133A (ROHS)	
8	ALL MODELS	04030600005	PLAIN WASHER DIA 5.3 *DIA 15*1.5	5		INTERCHANGE ABLE WITH 300032712A (ROHS)	
9	ALL MODELS	300007808A	CENTER COVER DASHBOARD	1			
10	ALL MODELS	10067947AA	CROSS SLOTTED TRUSS HEAD SCREW M6X16	14		INTERCHANGE ABLE WITH 20003931AB (ROHS)	
11	ALL MODELS	10057465AC	DASHBOARD PANEL CHROME RH	1			
12	ALL MODELS	10045779AB	RETAINING WASHER DIA 6	6			
13	ALL MODELS	10057466AC	DASHBOARD PANEL CHROME LH	1			
14	ALL MODELS	300007807A	DASHBOARD LOWER	1			
15	ALL MODELS	300007813A	STEERING BELLOW	1			
16	ALL MODELS	10057532AB	FUEL TANK NECK GROMMET	1			
2	ALL MODELS	20005542AA	HEX FLANGE SCREW M6*1*16 -8.8 SA4GS	5	YES		
6	ALL MODELS	10057566AD	CLUSTER PANEL	1	YES		FOR NON EU MODELS- MMKSS826879G 26 FOR EU MODELS- MEMRMGSNSM KH04135
1	SOLIS-20 EU FACELIFT (POWER STG.)	300000483C	DASHBOARD ASSY WITH BLUE PAINT	1			
1	SOLIS-20 EU FACELIFT (POWER STG.)	300000486C	DASHBOARD ASSY- A (W/O PAINT)	1			
6	SOLIS-20 EU FACELIFT (POWER STG.)	10057566AE	CLUSTER PANEL	1			
7	SOLIS-20 EU FACELIFT (POWER STG.)	200000133A	TAPPING SCREW M5X20 SA2NS	3			
9	SOLIS-20 EU FACELIFT (POWER STG.)	10057507AD	CENTER COVER DASHBOARD	1			
14	SOLIS-20 EU FACELIFT (POWER STG.)	300142597B	DASHBOARD LOWER SOLIS-20	1			
15	SOLIS-20 EU FACELIFT (POWER STG.)	300172562A	STEERING BELLOW	1			

17122A-1/1

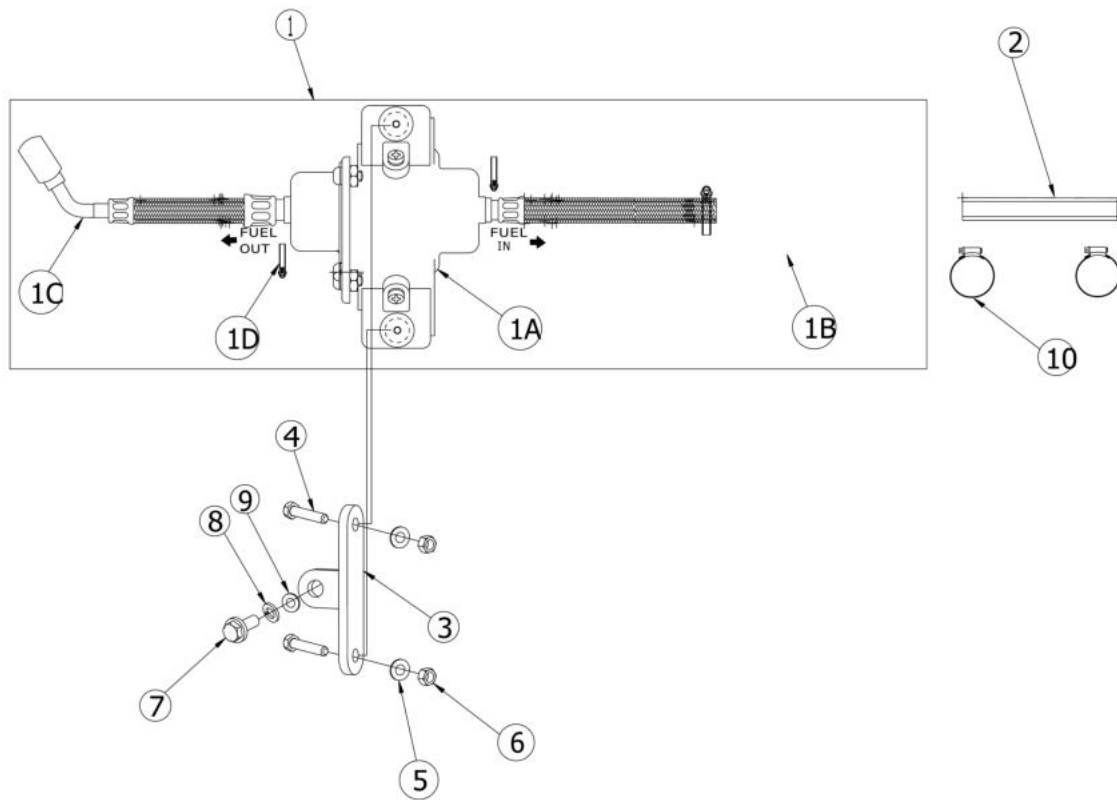
STEERING BELLOW POWER STG.



Sr.	Model	Item Code	Description	Qty	Int.	Remarks	Cut Off
1	ALL MODELS	300172562A	STEERING BELLOW	1			
2	ALL MODELS	10057507AD	CENTER COVER DASHBOARD	1			
3	ALL MODELS	300142597B	DASHBOARD LOWER	1			
4	ALL MODELS	10067947AA	SROSS SLOTTED TRUSS HEAD SCREW M6X16	1			

17130A-1/1

FUEL PIPES



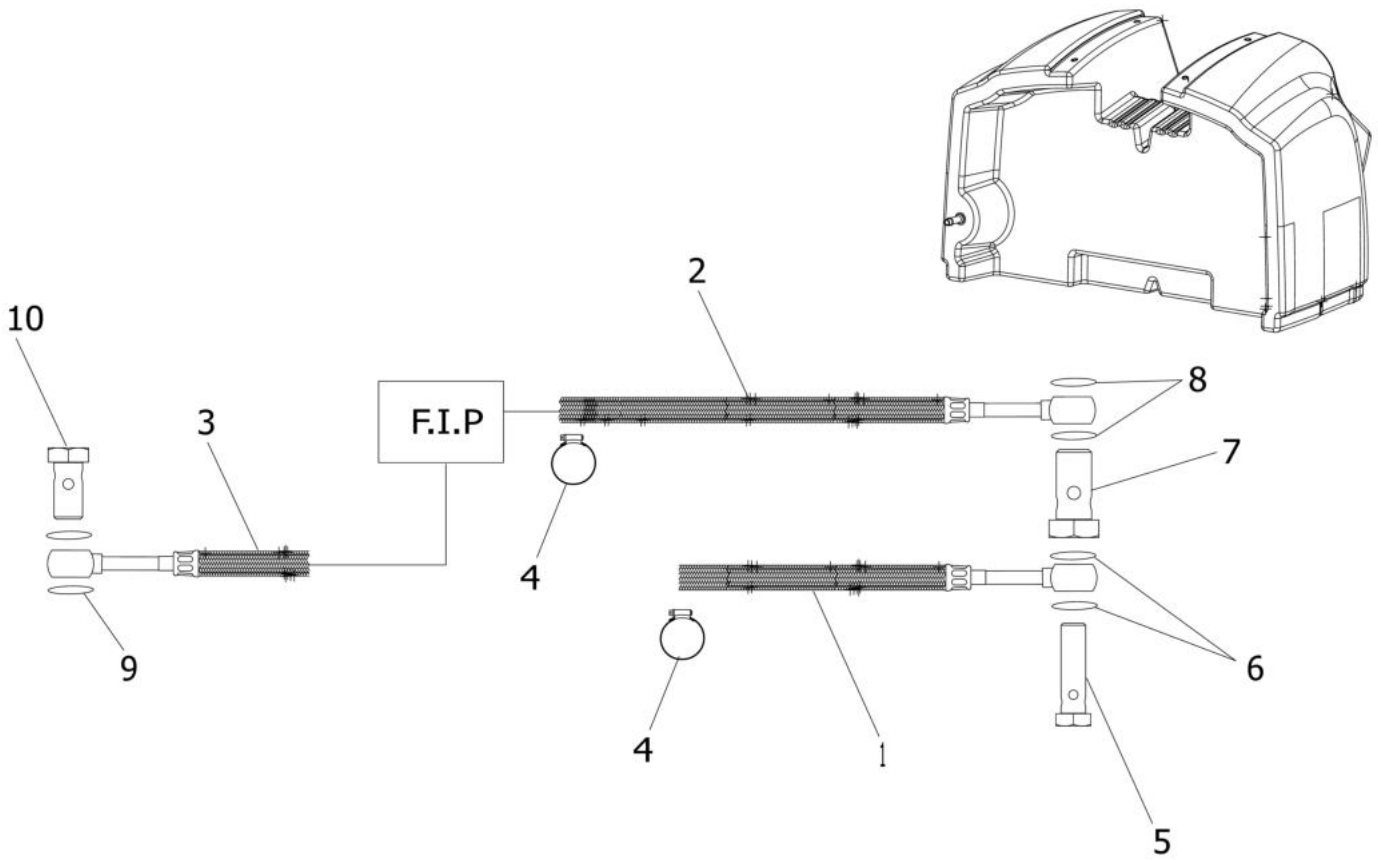
Sr.	Model	Item Code	Description	Qty	Int.	Remarks	Cut Off
4	ALL MODELS	20005568AA	HEX SCREW M6X30 SA4GS	2			
7	ALL MODELS	20005636AA	HEX. FLANGED SCREW M8X1.25X15	1			
3	ALL MODELS	10051657AB	BRACKET FOR FUEL FEED PUMP	1			
1B	ALL MODELS	10052428AB	STRINER PLUS PIPE ASSY(G.TRAC)	2	YES		BMGSU469046G
1D	ALL MODELS	20004819AA	HOSE WORM CLAMP 5/8	2	YES	INTERCHANGEABLE WITH 20004819AB (ROHS)	CMGSE464386G
1A	ALL MODELS	10051600AA	FUEL FEED PUMP	1	YES	S.NO 1A TO 1D PARTS ARE FITTED INSTEAD OF S. NO 1	JMGSD301579G

Sr.	Model	Item Code	Description	Qty	Int.	Remarks	Cut Off
1B	ALL MODELS	10052428AA	STRINER PLUS PIPE ASSY(G.TRAC)	1	YES	S.NO 1A TO 1D PARTS ARE FITTED INSTEAD OF S. NO 1	JMGSD301579G
1C	ALL MODELS	10052429AA	FUEL PIPE(FEED PUMP TO FILTER)	1	YES	S.NO 1A TO 1D PARTS ARE FITTED INSTEAD OF S. NO 1	JMGSD301579G
1D	ALL MODELS	20004171AA	HOSR WORM CLAMP	3	YES	S.NO 1A TO 1D PARTS ARE FITTED INSTEAD OF S. NO 1	JMGSD301579G
10	ALL MODELS	20004819AA	HOSE WORM CLAMP 5/8	1		INTERCHANGE ABLE WITH 20004819AB (ROHS)	
1	ALL MODELS	10051935AB	FUEL FEED PUMP AND STRAINER ASSY.	1			
2	ALL MODELS	10051937AA	FUEL PIPE STRAINER TO FUEL TANK	1		INTERCHANGE ABLE WITH 10051937AB (ROHS)	
3	ALL MODELS	10051657AA	BRACKET FOR FUEL FEED PUMP	1		INTERCHANGE ABLE WITH 10051657AB (ROHS)	
4	ALL MODELS	04040106030	HEX SCREW M6*30	2		INTERCHANGE ABLE WITH 20005568AA (ROHS)	
5	ALL MODELS	04030600006	PLAIN WASHER DIA 6.4 *DIA 18 *1.5	2			
6	ALL MODELS	20003354AB	HEX NUT M6 -8 SA2JS	2		INTERCHANGE ABLE WITH 20005491AA (ROHS)	
7	ALL MODELS	10020767AA	HEX. FLANGED SCREW M8X1.25X15	1		INTERCHANGE ABLE WITH 20005636AA (ROHS)	
8	ALL MODELS	04030400008	SPRING WASHER B-8	1		INTERCHANGE ABLE WITH 20005517AA (ROHS)	
9	ALL MODELS	04030600008	PLAIN WASHER DIA 8.4 *DIA 17*1.6	1			
10	ALL MODELS	20003508AA	HOSE CLIP 9.5*12	2			
1A	ALL MODELS	10051600AB	FUEL FEED PUMP	1	YES		
1D	ALL MODELS	20004819AB	HOSE WORM CLAMP 5/8"	2	YES		
2	ALL MODELS	10051937AB	FUEL PIPE(STRAINER TO FUEL COCK)	1	YES		
8	ALL MODELS	20005517AA	SPRING WASHER B-8 TYPE A IS: 3067-1972	1	YES		
10	ALL MODELS	20004819AB	HOSE WORM CLAMP 5/8"	1	YES		
1	SOLIS-20 EU FACELIFT (POWER STG.)	10051600AC	FUEL FEED PUMP ASSY (GT).	1			
6	SOLIS-20 EU FACELIFT (POWER STG.)	20005491AA	HEX NUT M6 -8 SA4GS	2			

Sr.	Model	Item Code	Description	Qty	Int.	Remarks	Cut Off
7	SOLIS-20 EU FACELIFT (POWER STG.)	20005543AA	HEX FLANGE SCREW M8*1.25*25 -8.8 SA4GS	1			

17140A-1/1

FUEL PIPES

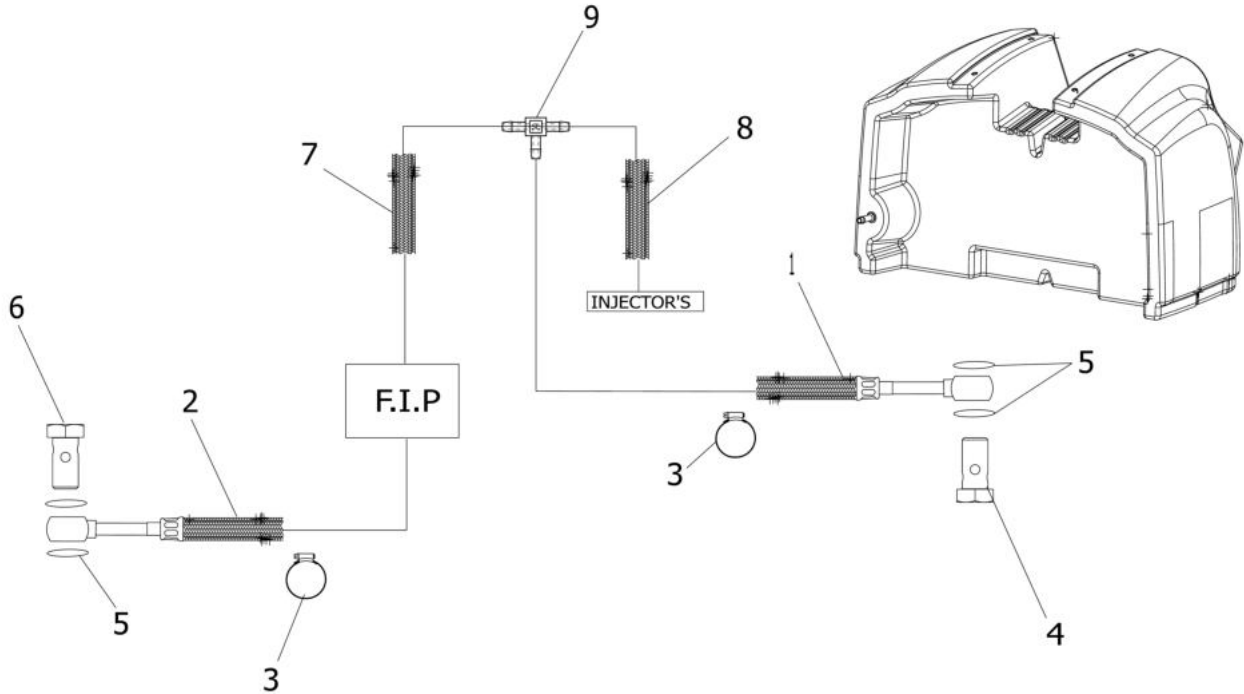


Sr.	Model	Item Code	Description	Qty	Int.	Remarks	Cut Off
5	ALL MODELS	20005051AB	BENJO BOLT M10*1*19	1			
7	ALL MODELS	20005057AB	SPL BENJO BOLT M14*1.5*M10*1*26	1			
2	ALL MODELS	300028469A	BACK FLOW FUEL PIPE	1			
2	ALL MODELS	10051592AA	BACK FLOW FUEL PIPE	1		INTERCHANGEABLE WITH 300028469A (ROHS)	
1	ALL MODELS	10052367AA	FUEL RETURN HOSE ASSY.	1			
2	ALL MODELS	10052368AA	OVER FLOW HOSE ASSY.	1			
3	ALL MODELS	803008060A	FUEL PIPE(F.I.P TO FILTER)	1			
4	ALL MODELS	703415115A	SPRING CLAMP DIA 12.5	2			

Sr.	Model	Item Code	Description	Qty	Int.	Remarks	Cut Off
5	ALL MODELS	04080100010	BENJO BOLT M10*1*19	1		INTERCHANGEABLE WITH 20005051AB (ROHS)	
6	ALL MODELS	04030210013	COPPER WASHER DIA 10.2*DIA13.4*1	2			
7	ALL MODELS	04080700014	SPL BENJO BOLT M14*1.5*M10*1*26	1		INTERCHANGEABLE WITH 20005057AB (ROHS)	
8	ALL MODELS	04030214020	SEALING WASHER DIA14.2*DIA19.9*1.5	2			
9	ALL MODELS	04030214020	SEALING WASHER DIA14.2*DIA19.9*1.5	2			
10	ALL MODELS	04080100014	BENJO BOLT M14*1.5*26	1		INTERCHANGEABLE WITH 20005003AB (ROHS)	
10	ALL MODELS	20005003AB	BENJO BOLT M14*1.5*26 SA4GS	1	YES		

17141A-1/1

FUEL PIPES

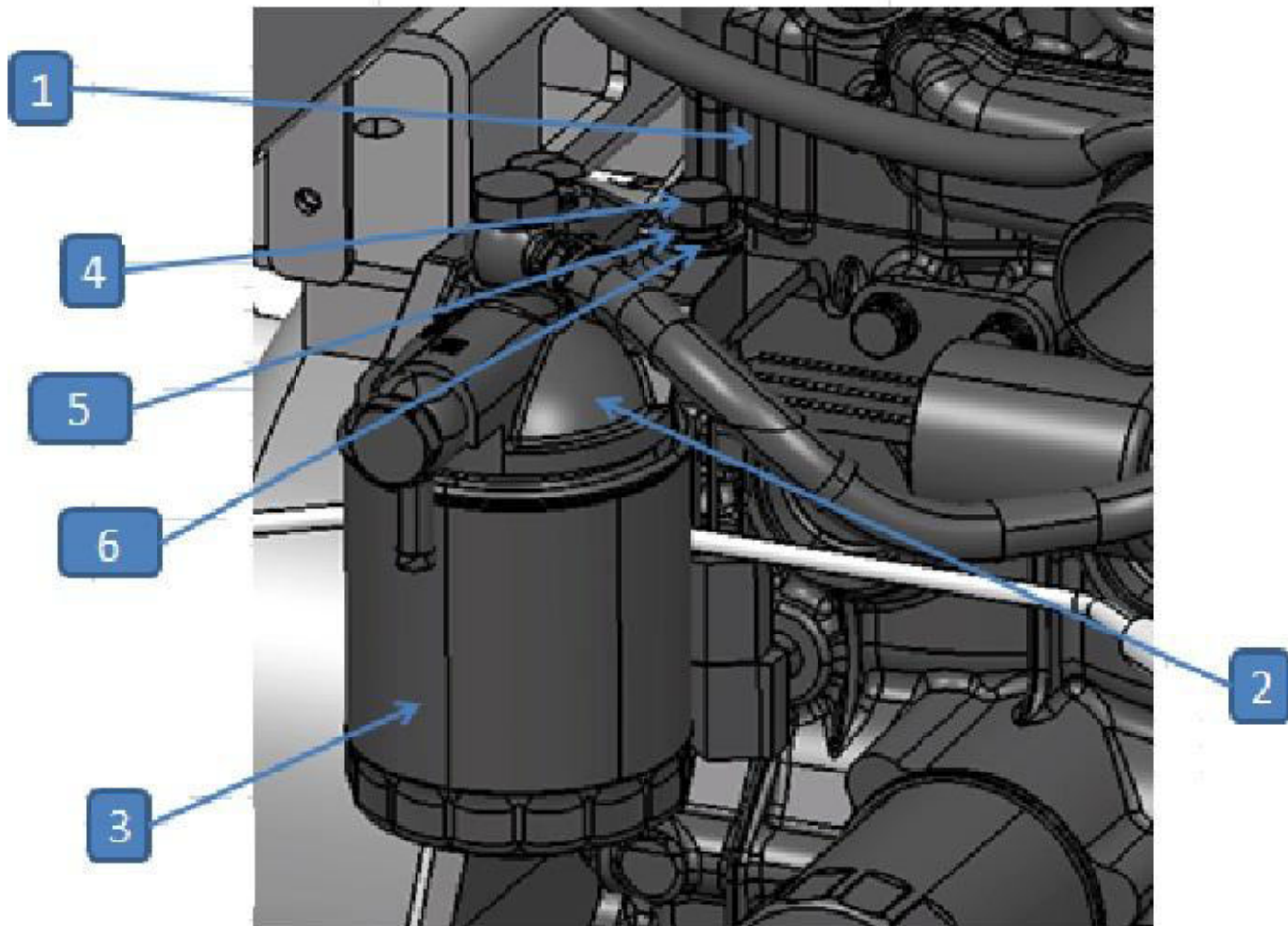


Sr.	Model	Item Code	Description	Qty	Int.	Remarks	Cut Off
1	ALL MODELS	300028469A	BACK FLOW FUEL PIPE	1			
1	ALL MODELS	10051592AA	BACK FLOW FUEL PIPE	1		INTERCHANGEABLE WITH 300028469A (ROHS)	
2	ALL MODELS	803008060A	FUEL PIPE(F.I.P TO FILTER)	1			
3	ALL MODELS	703415115A	SPRING CLAMP DIA 12.5	2			
4	ALL MODELS	04080100014	BENJO BOLT M14*1.5*26	1		INTERCHANGEABLE WITH 20005003AB (ROHS)	
5	ALL MODELS	04030214020	SEALING WASHER DIA14.2*DIA19.9*1.5	4			

Sr.	Model	Item Code	Description	Qty	Int.	Remarks	Cut Off
6	ALL MODELS	04080100014	BENJO BOLT M14*1.5*26	1		INTERCHANGEABLE WITH 20005003AB (ROHS)	
7	ALL MODELS	-	BACK FLOW FUEL PIPE(F.I.P TO T-ASSY.)	1		INTEGRAL PART OF MITSUBISHI ENGINE	
8	ALL MODELS	-	BACK FLOW FUEL PIPE(INJECTORS TO T-ASSY.)	1		INTEGRAL PART OF MITSUBISHI ENGINE	
9	ALL MODELS	-	T-ASSY.	1		INTEGRAL PART OF MITSUBISHI ENGINE	
4	ALL MODELS	20005003AB	BENJO BOLT M14*1.5*26 SA4GS	1	YES		
6	ALL MODELS	20005003AB	BENJO BOLT M14*1.5*26 SA4GS	1	YES		
2	SOLIS-20 EU FACELIFT (POWER STG.)	10087099AC	FUEL PIPE FEED PUMP TO WATER SEPRATOR	1			

17150A-1/1

FUEL FILTER ASSY WITH ENGINE.

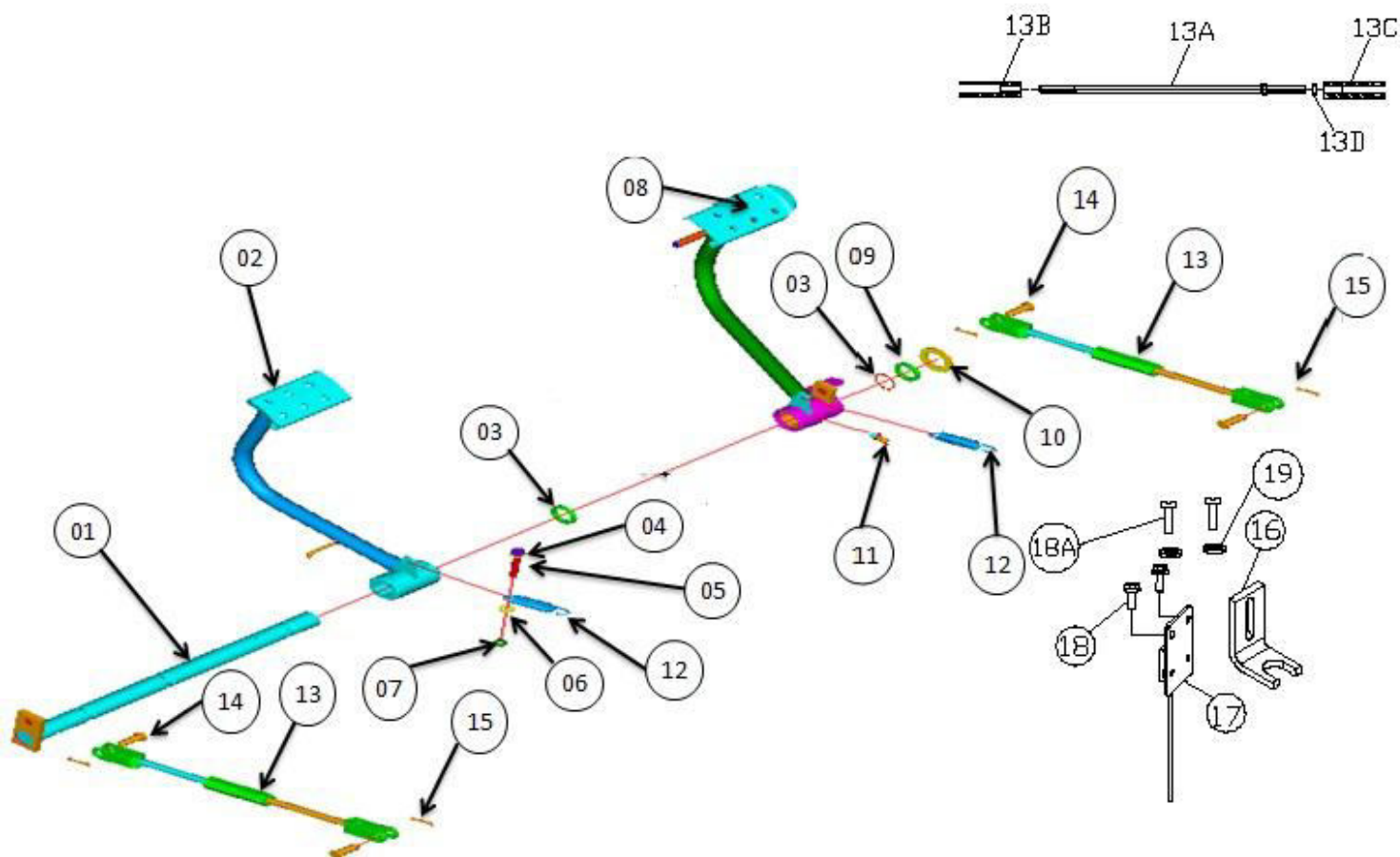


Sr.	Model	Item Code	Description	Qty	Int.	Remarks	Cut Off
6	ALL MODELS	20005611AA	PUNCHED WASHER M10	2			
1	ALL MODELS	10051080AA	ENGINE ASSY	1			
3	ALL MODELS	703008219A	FUEL FILTER CARTRIDGE_GARDEN TRACK	1		Only CARTRIDGE	
2	ALL MODELS	703008118A	FUEL FILTER BODY_Garden Track	1	APN 7030 0811 8C	Upper Filter body+CARTRIDGE	
4	ALL MODELS	20004367AA	HEX BOLT M10*1.25*40 8.8 SA2JS	2		INTERCHANGEABLE WITH 20005584AA (ROHS)	
5	ALL MODELS	04030400010	SPRING WASHER B-10	2			

Sr.	Model	Item Code	Description	Qty	Int.	Remarks	Cut Off
6	ALL MODELS	04030300010	PUNCHED WASHER M10	2		INTERCHANGEABLE WITH 20005611AA (ROHS)	
1	SOLIS-20 FACELIFT EU MODELS	300043622A	MHI ENGINE STAGE V L3E 18HP	1	YES	STAGE V ENGINE	MEMRMGSNSB KH03862
4	SOLIS-20 EU FACELIFT (POWER STG.)	703008118C	FUEL FILTER BODY_GARDEN TRACK	2			
4	SOLIS-20 EU FACELIFT (POWER STG.)	20005544AA	HEX BOLT M10X1.5X40 SA4GS	2			

18110A-1/1

BRAKE PEDAL ASSY.



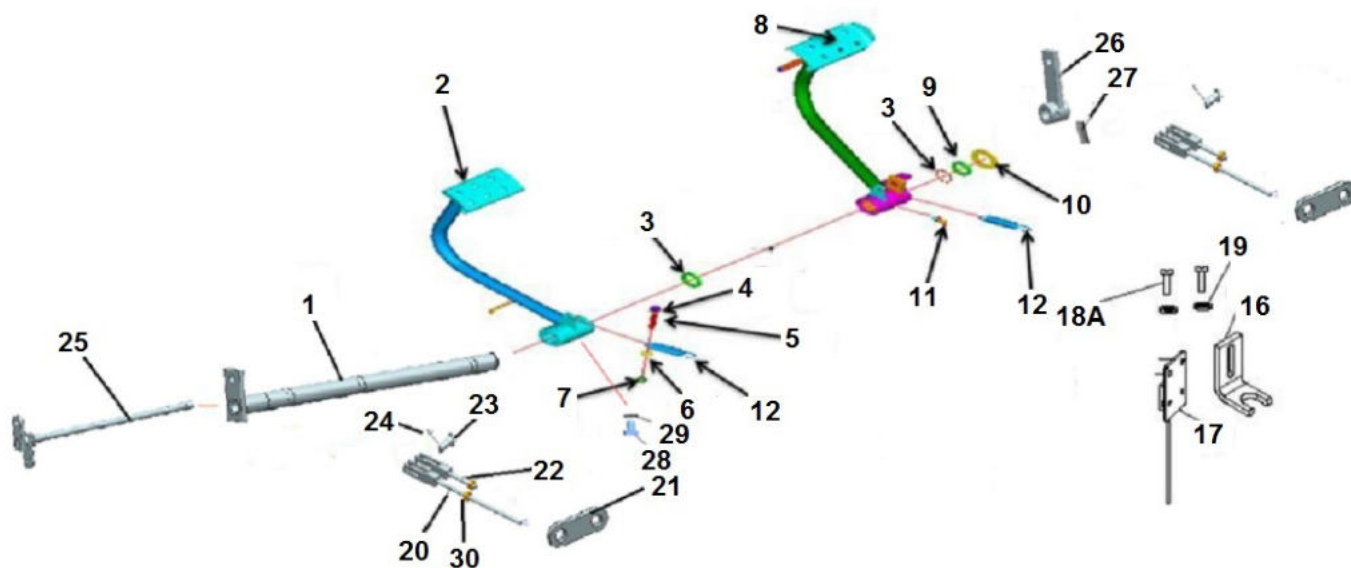
Sr.	Model	Item Code	Description	Qty	Int.	Remarks	Cut Off
4	ALL MODELS	20005598AA	HEX HEAD BOLT M8X65_8.8 SA4GS	1			
4	ALL MODELS	20005600AA	HEX HEAD BOLT M8X55_8.8 SA4GS	1			
18A	ALL MODELS	200000385A	SLOTTED CHEASE HEAD SCREW M5*30	2			
13B	ALL MODELS	300089440A	ACTUATOR FORK ASSY RH	02	YES	interchange with 10005355AA	FOR NON EU MODELS- KZGDS888316S 3 FOR EU MODELS- MEMRZGTPEKK H07779
13C	ALL MODELS	300089441A	ACTUATOR FORK ASSY LH	02	YES	interchange with 10005356AB	FOR NON EU MODELS-

Sr.	Model	Item Code	Description	Qty	Int.	Remarks	Cut Off
							KZGDS888316S 3 FOR EU MODELS- MEMRZGTPEKK H07779
13D	ALL MODELS	20003357AF	HEX NUT M10 -8 SA4GS	02	YES	interchange with 20003357AB	FOR NON EU MODELS- JZNSS869101S M FOR EU MODELS- MEMRZGTNEJK H07194
4	ALL MODELS	20004136AA	HEX HEAD BOLT M8X1.25X55	1			
18A	ALL MODELS	04042905030	SLOTTED CHEESE HD SCREW M5*30	2		INTERCHANGE ABLE WITH 200000385A (ROHS)	
19	ALL MODELS	04030400005	SPRING WASHER B - 5	2			
2	DI-20 GT WITH 1SA (NEPAL,MEXICO),SOLIS 20	10052352BA	ASSY BRAKE PADEL LH & RH	1	NO		DMGSU522355 G
2	DI-20 GT WITH 1SA (NEPAL,MEXICO),SOLIS 20	10052352BB	ASSY BRAKE PADEL LH & RH	1	YES		AMGSF549676G
8	DI-20 GT WITH 1SA (NEPAL,MEXICO),SOLIS 20	10052352BA	ASSY BRAKE PADEL LH & RH	1	NO		DMGSU522355 G
8	DI-20 GT WITH 1SA (NEPAL,MEXICO),SOLIS 20	10052352BB	ASSY BRAKE PADEL LH & RH	1	YES		AMGSF549676G
1	DI-20 GT WITH 1SA (NEPAL,MEXICO),SOLIS 20	10051037BA	BRAKE PEDAL SHAFT	1	NO		DMGSU522355 G
13	ALL MODELS	10051082AC	ADJUSTABLE TIE ROD ASSY FOR BRAKE PEDAL	2	YES		
16	ALL MODELS	10051138AA	BKT FOR BRAKE & CLUTCH SWITCH MTG.	1			
17	ALL MODELS	20002396AB	SWITCH FOR BRAKES-NORMALLY CLOSED	1		INTERCHANGE ABLE WITH 10055930AB (ROHS)	
18	ALL MODELS	20003517AA	HEX FLANGE SCREW M6*1*16-8.8 SA2JS	2		INTERCHANGE ABLE WITH 20005542AA (ROHS)	
1	ALL MODELS	10051037AA	BRAKE PEDAL SHAFT	1			
2	ALL MODELS	10052352AA	ASSY BRAKE PADEL LH & RH	1			
3	ALL MODELS	10051143AA	FELT RING	2			
4	ALL MODELS	04040708065	HEX BOT M8X65	1		INTERCHANGE ABLE WITH 20005598AA (ROHS)	
5	ALL MODELS	04030800008	M/CD WASHER DIA 8.4XDIA17X1	1			
6	ALL MODELS	04030400008	SPRING WASHER B-8	1		INTERCHANGE ABLE WITH 20005517AA (ROHS)	

Sr.	Model	Item Code	Description	Qty	Int.	Remarks	Cut Off
7	ALL MODELS	20003355AB	HEX NUT M8X1.25 -8 SA2JS	1		INTERCHANGEABLE WITH 200000391A (ROHS)	
8	ALL MODELS	10052352AA	ASSY BRAKE PADEL LH & RH	1			
9	ALL MODELS	20004134AA	EXTERNAL CIRCLIP A - 25	1			
10	ALL MODELS	20004133AA	M/CD WASHER DIA 26 *DIA 44*4	1		INTERCHANGEABLE WITH 20005623AA (ROHS)	
11	ALL MODELS	04043200008	GREASE NIPPLE WITH CAP M8*1	1			
12	ALL MODELS	10007881BA	TENSION SPRING(BRAKE ASSY)	2		INTERCHANGEABLE WITH 10007881BB (ROHS)	
13	ALL MODELS	10051082AB	ADJUSTABLE TIE ROD ASSY FOR BRAKE PEDAL	2			
14	ALL MODELS	10005187AA	LINK PIN	4		INTERCHANGEABLE WITH 10087974AA (ROHS)	
15	ALL MODELS	04010102025	SPLIT PIN DIA 2*25	4			
13A	ALL MODELS	10052427AA	TIE ROD	02	YES	S.NO 13A TO 13 PARTS ARE FITTED INSTEAD OF S. NO 13	DMGSV369497G
13B	ALL MODELS	10005355AA	ACTUATOR FORK (RH THRD)	02	YES	S.NO 13A TO 13 PARTS ARE FITTED INSTEAD OF S. NO 13	DMGSV369497G
13C	ALL MODELS	10005356AB	ACTUATOR FORK LT	02	YES	S.NO 13A TO 13 PARTS ARE FITTED INSTEAD OF S. NO 13	DMGSV369497G
13D	ALL MODELS	20003357AB	HEX NUT M10-8 SA2JS	02	YES	S.NO 13A TO 13 PARTS ARE FITTED INSTEAD OF S. NO 13	DMGSV369497G
6	ALL MODELS	20005517AA	SPRING WASHER B-8 TYPE A IS: 3067-1972	1	YES		
10	ALL MODELS	20005623AA	M/CD WASHER DIA26*DIA44*4	1	YES		
12	ALL MODELS	10007881BB	TENSION SPRING	2	YES		
14	ALL MODELS	10087974AA	LINK ASSY	4	YES		
17	ALL MODELS	10055930AA	SWITCH NC TYPE	1	YES		

18111A-1/1

BRAKE PEDAL ASSY.



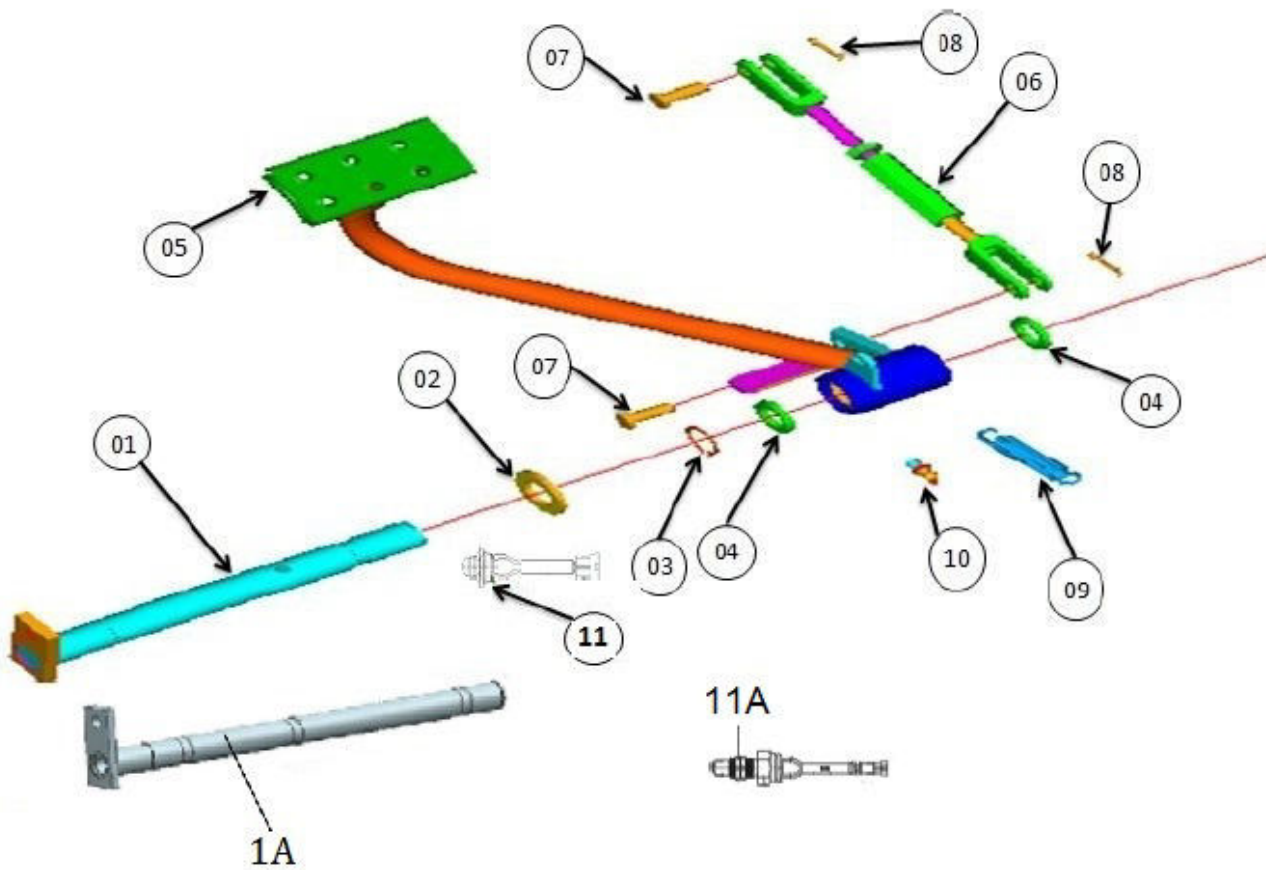
Sr.	Model	Item Code	Description	Qty	Int.	Remarks	Cut Off
4	ALL MODELS	20005600AA	HEX HEAD BOLT M8X55_8.8 SA4GS	1			
18A	ALL MODELS	200000385A	SLOTTED CHEASE HEAD SCREW M5*30	2			
20	ALL MODELS	300033718B	TIE ROD	2			
24	ALL MODELS	300031807A	SPLIT PIN DIA 5*40	6			
30	ALL MODELS	20003357AF	HEX NUT M10 -8 SA4GS	8	YES	interchange with 20003357AB	FOR NON EU MODELS- JZNSS869101S M FOR EU MODELS- MEMRZGTNEJK H07194

Sr.	Model	Item Code	Description	Qty	Int.	Remarks	Cut Off
1	ALL MODELS	300033905A	BRAKE PEDAL SHAFT ASSY	1			
2	ALL MODELS	10052352BB	ASSY BRAKE PADEL LH & RH	1			
3	ALL MODELS	10051143AA	FELT RING	2			
4	ALL MODELS	20004136AA	HEX HEAD BOLT M8X1.25X55	1			
5	ALL MODELS	04030800008	M/CD WASHER DIA 8.4XDIA17X1	1			
6	ALL MODELS	04030400008	SPRING WASHER B-8	1		INTERCHANGE ABLE WITH 20005517AA (ROHS)	
7	ALL MODELS	20003355AB	HEX NUT M8X1.25 -8 SA2JS	1		INTERCHANGE ABLE WITH 200000391A (ROHS)	
8	ALL MODELS	10052352BB	ASSY BRAKE PADEL LH & RH	1			
9	ALL MODELS	20004134AA	EXTERNAL CIRCLIP A - 25	1			
10	ALL MODELS	20004133AA	M/CD WASHER DIA 26 *DIA 44*4	1		INTERCHANGE ABLE WITH 20005623AA (ROHS)	
11	ALL MODELS	04043200008	GREASE NIPPLE WITH CAP M8*1	1			
12	ALL MODELS	10007881BA	TENSION SPRING(BRAKE ASSY)	2		INTERCHANGE ABLE WITH 10007881BB (ROHS)	
16	ALL MODELS	10051138AA	BKT FOR BRAKE & CLUTCH SWITCH MTG.	1			
17	ALL MODELS	20002396AB	SWITCH FOR BRAKES-NORMALLY CLOSED	1		INTERCHANGE ABLE WITH 10055930AB (ROHS)	
18A	ALL MODELS	04042905030	SLOTTED CHEESE HD SCREW M5*30	2		INTERCHANGE ABLE WITH 200000385A (ROHS)	
19	ALL MODELS	04030400005	SPRING WASHER B - 5	2			
20	ALL MODELS	300033718A	TIE ROD	2		INTERCHANGE ABLE WITH 300033718B (ROHS)	
21	ALL MODELS	300030145A	BKT FOR TIE ROD	2			
22	ALL MODELS	300030663A	PARKING BRAKE TIE ROD	2			
23	ALL MODELS	10003800AB	PIN FOR BRAKE ACTUATOR FORK	4		INTERCHANGE ABLE WITH 300031334A (ROHS)	
24	ALL MODELS	20004382AA	SPLIT PIN DIA 2X16	6			
25	ALL MODELS	300033224A	PARKING BRAKE SHAFT ASSY	1			
26	ALL MODELS	300032935A	LUG ASSY	1			
27	ALL MODELS	20004150AA	SPRING COTTER SLEEVE (DIA 6X28)	1			
28	ALL MODELS	20004356AA	HEX SCREW M8X1.25X12 8.8 SA3NS	2			

Sr.	Model	Item Code	Description	Qty	Int.	Remarks	Cut Off
29	ALL MODELS	04030400008	SPRING WASHER B-8	2		INTERCHANGEABLE WITH 20005517AA (ROHS)	
30	ALL MODELS	20003357AB	HEX NUT M10 -8 SA2JS	8		INTERCHANGEABLE WITH 20005503AA (ROHS)	
6	ALL MODELS	20005517AA	SPRING WASHER B-8 TYPE A IS: 3067-1972	1	YES		
10	ALL MODELS	20005623AA	M/CD WASHER DIA26*DIA44*4	1	YES		
12	ALL MODELS	10007881BB	TENSION SPRING	2	YES		
17	ALL MODELS	10055930AA	SWITCH NC TYPE	1	YES		
23	ALL MODELS	300031334A	PIN FOR BRAKE ACTUATOR FORK	4	YES		
29	ALL MODELS	20005517AA	SPRING WASHER B-8 TYPE A IS: 3067-1972	2	YES		
6	SOLIS-20 EU FACELIFT (POWER STG.)	04030400008	SPRING WASHER B-8	1			
7	SOLIS-20 EU FACELIFT (POWER STG.)	20005504AA	HEX NUT M8X1.25 -8 SA4GS	1			
17	SOLIS-20 EU FACELIFT (POWER STG.)	300119996A	PLUNGER SWITCH NC	1			
18A	SOLIS-20 EU FACELIFT (POWER STG.)	10083043AB	Slotted Cheese Head Screw M5X30 SA4GS	2			

18120A-1/1

CLUTCH PEDAL ASSY.

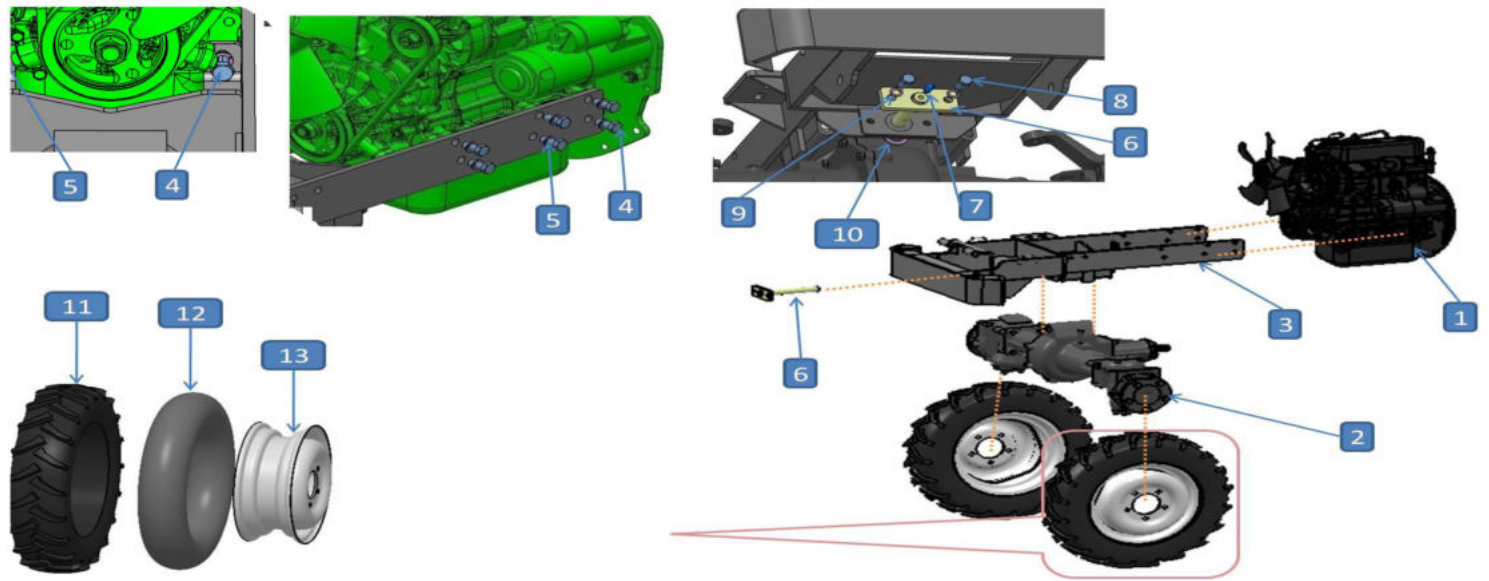


Sr.	Model	Item Code	Description	Qty	Int.	Remarks	Cut Off
11	SOLIS-20 (BELGIUM, TURKEY, SPAIN, FRANCE, NEITHERLAND, UK, POLAND)	10053758AA	CLUTCH SAFETY SWITCH	1			
11	SOLIS-20 (BELGIUM, TURKEY, SPAIN, FRANCE, NEITHERLAND, UK, POLAND)	10056627AA	CLUTCH SAFETY SWITCH	1	YES		MEMAMKSF550 458G26
1	DI-20 GT WITH 1SA (NEPAL, MEXICO), SOLIS 20 EXCEPT FACELIFT	10051037BA	BRAKE PEDAL SHAFT	1	NO		DMGSU522355 G
5	DI-20 GT WITH 1SA (NEPAL, MEXICO), SOLIS 20	10051036BA	CLUTCH PEDAL ASSY	1	NO		DMGSU522355 G
1	ALL MODELS EXCEPT FACELIFT	10051037AA	BRAKE PEDAL SHAFT	1			

Sr.	Model	Item Code	Description	Qty	Int.	Remarks	Cut Off
2	ALL MODELS	20004133AA	M/CD WASHER DIA 26 *DIA 44*4	1		INTERCHANGEABLE WITH 20005623AA (ROHS)	
3	ALL MODELS	20004134AA	EXTERNAL CIRCLIP A - 25	1			
4	ALL MODELS	10051143AA	FELT RING	2			
5	ALL MODELS	10051036AB	CLUTCH PEDAL ASSY	1			
6	ALL MODELS	10051114AA	ADJUSTABLE TIE ROD ASSY FOR CLUTCH PEDAL	1			
7	ALL MODELS	10005187AA	LINK PIN	2		INTERCHANGEABLE WITH 10087974AA (ROHS)	
8	ALL MODELS	04010102025	SPLIT PIN DIA 2*25	2			
9	ALL MODELS	10007881BA	TENSION SPRING(CLUTCH ASSY)	1		INTERCHANGEABLE WITH 10007881BB (ROHS)	
10	ALL MODELS	04043200008	GREASE NIPPLE WITH CAP M8*1	1			
1A	SOLIS-20 FACELIFT	300033905A	BRAKE PEDAL SHAFT ASSY	1			
11A	SOLIS-20	10056627AB	CLUTCH SAFETY SWITCH	1	YES		FOR NON EU MODEL- CMGSG803112 G, FOR EU MODELS- MEMRMGSNSC JH03450
2	ALL MODELS	20005623AA	M/CD WASHER DIA26*DIA44*4	1	YES		
6	ALL MODELS	10051114AB	ADJUSTABLE TIE ROD (CLUTCH PEDAL)G.T.	1	YES		
7	ALL MODELS	10087974AA	LINK ASSY	2	YES		
9	ALL MODELS	10007881BB	TENSION SPRING	1	YES		

19110A-1/1

FRONT AXLE BKT. & RELATED.

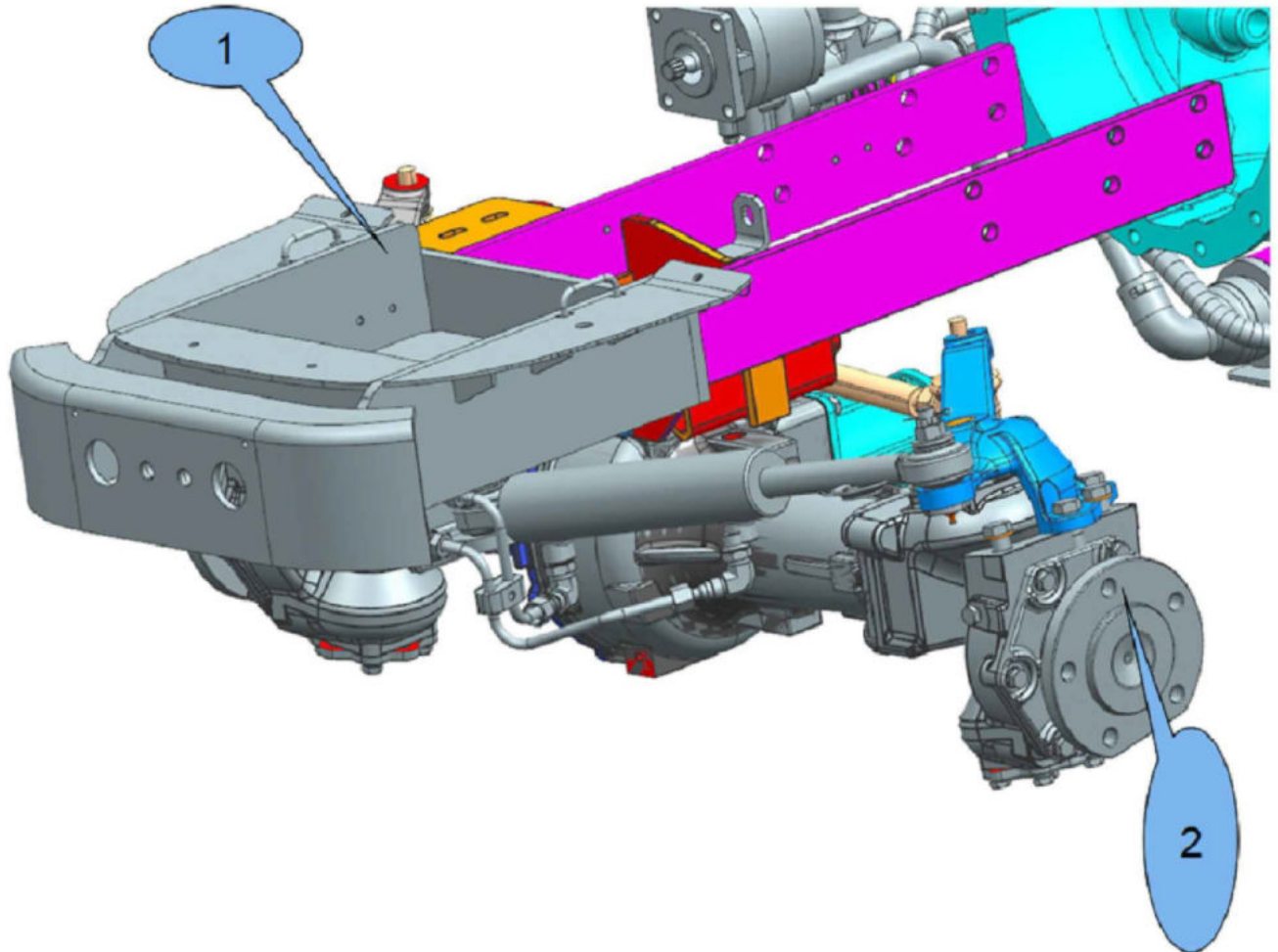


Sr.	Model	Item Code	Description	Qty	Int.	Remarks	Cut Off
3	SOLIS-20	10051947AB	FRONT AXLE BRACKET	1			
3	SOLIS-20	10051947AH	FRONT AXLE BRACKET	1	NO	BONNET STAY MODIFICATION AND RADIATOR SEALING RELATED MODIFICATION	MEMEMGSU510 327G
12	ALL MODELS	20003816AB	TUBE 5-12	2			
13	ALL MODELS	10051039AA	FRONT RIM ASSY.	2			
7	ALL MODELS	20003460AB	CONICAL HEAD GRESE NIPPLE B M8X1 IS:4009	1	YES		BMGSV329873G
13	ALL MODELS	10051885AA	FRONT RIM ASSY.	2			

Sr.	Model	Item Code	Description	Qty	Int.	Remarks	Cut Off
1	ALL MODELS	10051080AA	ENGINE ASSY	1			
2	ALL MODELS	-	FRONT AXLE BEAM ASSY	1		ASSY	
3	DI-20 GT	10051033BD	FRONT AXLE BRACKET	1			
3	DI-20 GT	10051033BL	FRONT AXLE BRACKET	1	NO	BONNET STAY MODIFICATION AND RADIATOR SEALING RELATED MODIFICATION	EMGSU508154G
4	ALL MODELS	20004078AB	HEX SCREW M10*1.25*25 8.8 SA3NS	14			
5	ALL MODELS	04030400010	SPRING WASHER B-10	14			
6	ALL MODELS	10051043BA	PIVOT PIN ASSY	1			
7	ALL MODELS	04043200008	GREASE NIPPLE WITH CAP M8*1	1			
8	ALL MODELS	20003235AA	Hex screw M10x20 8-8 SA3NS	2			
8	ALL MODELS	20003235AB	Hex screw M10x20 8-8 SA3NS	2	YES		
9	ALL MODELS	04030400010	SPRING WASHER B-10	2			
10	ALL MODELS	10051046AA	THRUST WASHER	1			
11	ALL MODELS	20003815AA	TYRE 5-12	2			
4	ALL MODELS	20004078AD	HEX SCREW M10*1.25*25 8.8 SA3NS	14	YES	INTERCHANGE ABLE WITH 20005558AA (ROHS)	BYJSF536597G2 2
7	ALL MODELS	20003460AC	CONICAL HEAD GRESE NIPPLE B M8X1 IS:4009	1	YES		
1	SOLIS-20 FACELIFT EU MODELS	300043622A	MHI ENGINE STAGE V L3E 18HP	1	YES	STAGE V ENGINE	MEMRMGSNSB KH03862
3	SOLIS-20 EU FACELIFT (POWER STG.)	300024702E	FRONT AXLE BKT ASSY	1			
8	SOLIS-20 EU FACELIFT (POWER STG.)	20005585AA	HEX HEAD SCREW M10X20 8.8 SA4GS	2			
11	SOLIS-20 EU FACELIFT (POWER STG.)	10054177AA	TR FRONT 6.00-12 6PR BKT TR171 TT	2			
12	SOLIS-20 EU FACELIFT (POWER STG.)	10054179AA	TR FRONT 6.00/6-12 TR-15 TUBE	2			
13	SOLIS-20 EU FACELIFT (POWER STG.)	10054485AA	FRONT RIM ASSY 24HP-4X12 (SILVER)	2			
13	SOLIS-20 EU FACELIFT (POWER STG.)	10052515AA	FRONT RIM ASSY 24HP	2			

19111A-1/1

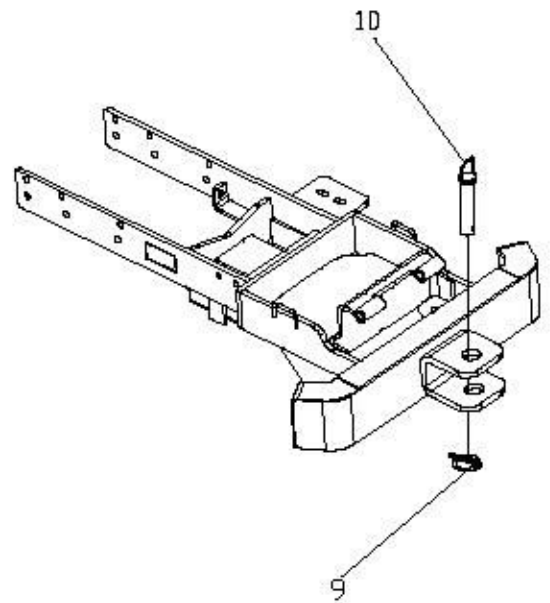
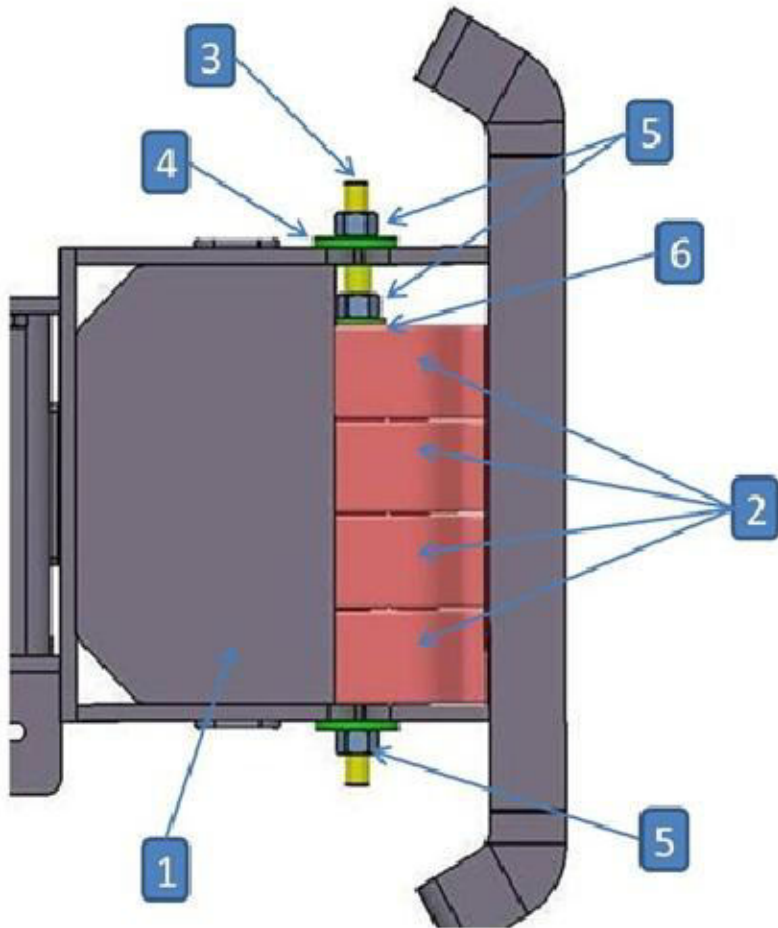
FRONT AXLE POWER STG.



Sr.	Model	Item Code	Description	Qty	Int.	Remarks	Cut Off
1	ALL MODELS	300024702E	FRONT AXLE BKT ASSY	1			
2	ALL MODELS	10053136AA	FRONT AXLE ASSY GT26 PS	1			

19120A-1/1

F.A.B ASSY & FRONT WEIGHT.

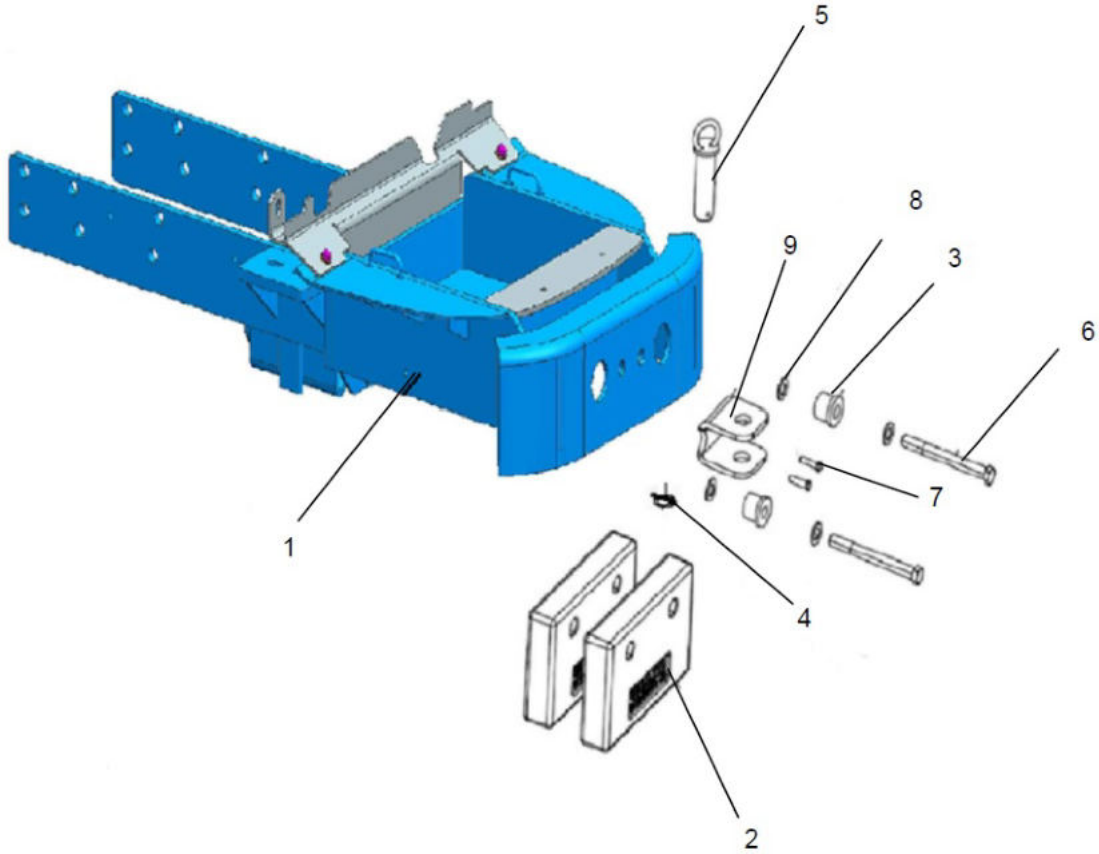


Sr.	Model	Item Code	Description	Qty	Int.	Remarks	Cut Off
4	ALL MODELS	10039601AA	SPECIAL WASHER FOR FRONT WEIGHT (FOR EPA)	2			
10	ALL SOLIS-20	10055142AC	PIN (FOR SWINGING DRAW BAR)	1			
1	SOLIS-20	10051947AB	FRONT AXLE BRACKET	1			
1	SOLIS-20	10051947AH	FRONT AXLE BRACKET	1	NO	BONNET STAY MODIFICATION AND RADIATOR SEALING RELATED MODIFICATION	MEMEMGSU510327G
3	WITH 10052734AD	20004584AA	HEX BOLT M16X2X335 8.8 SA2JS	1		FROM	EMGSV357809G , MEMMMGSE399 407G

Sr.	Model	Item Code	Description	Qty	Int.	Remarks	Cut Off
7	ALL MODELS	10051855AA	HANGER FOR BATTERY MTG.	2	NOT SHO WN	SUB. PARTS OF S.NO.1 (FRONT AXLE BKT.)	
8	ALL MODELS	10051854AA	BUSH FOR FRONT AXLE BKT.(GT)	2		SUB. PARTS OF S.NO.1 (FRONT AXLE BKT.)	
9	ALL SOLIS-20	10004900AA	LINCH PIN	1		INTERCHANGE ABLE WITH 10087916AA (ROHS)	
10	ALL SOLIS-20	10004584AA	PIN (FOR SWINGING DRAW BAR)	1		INTERCHANGE ABLE WITH 10055142AC (ROHS)	
2	SOLIS-20	10052734AD	DEAD WEIGHT-GT	1		QTY. 1 PCS. TOTAL WEIGHT 30 KG. FROM	MEMMMGSE399 407G
10	ALL SOLIS-20	10004584AC	PIN (FOR SWINGING DRAW BAR)	1			
1	DI-20 GT	10051033BD	FRONT AXLE BRACKET	1			
1	DI-20 GT	10051033BL	FRONT AXLE BRACKET	1	NO	BONNET STAY MODIFICATION AND RADIATOR SEALING RELATED MODIFICATION	EMGSU508154G
2	ALL MODELS	10051571AC	DEAD WEIGHT - G.T.	4			
2	SOLIS-20	10051571AC	DEAD WEIGHT - G.T.	4		QTY. 4 PCS. TOTAL WEIGHT 40 KG.	
3	WITH 10051571AC	10070307AA	ROD FOR FRONT WEIGHT	1		INTERCHANGE ABLE WITH 10086407AB (ROHS)	
4	ALL MODELS	10070308AA	SPECIAL WASHER FOR FRONT WEIGHT	2		INTERCHANGE ABLE WITH 10039601AA (ROHS)	
5	ALL MODELS	20003362AC	HEX NUT M16 X 2 - 8SA2JS	3		QTY DEC BY 1 WITH 20004584AA FROM	EMGSV357809G , MEMMMGSE399 407G
6	ALL MODELS	10005014AA	WASHER (FOR REAR WHEEL)	1		QTY DEC BY 1 WITH 20004584AA FROM	EMGSV357809G , MEMMMGSE399 407G
2	DI-20 GT	10052734AD	DEAD WEIGHT-GT	1	YES	QTY. 1 PCS. TOTAL WEIGHT 30 KG.	EMGSV357809G
3	WITH 10051571AC	10086407AB	ROD FOR FRONT WEIGHT	1	YES		
5	ALL MODELS	20003719AB	HEX NUT M16X2 - 8, SA2GS	3	YES		
9	ALL SOLIS-20	10004900AB	LINCH PIN	1	YES		

19121A-1/1

FRONT AXLE BRACKET & FRONT WEIGHT

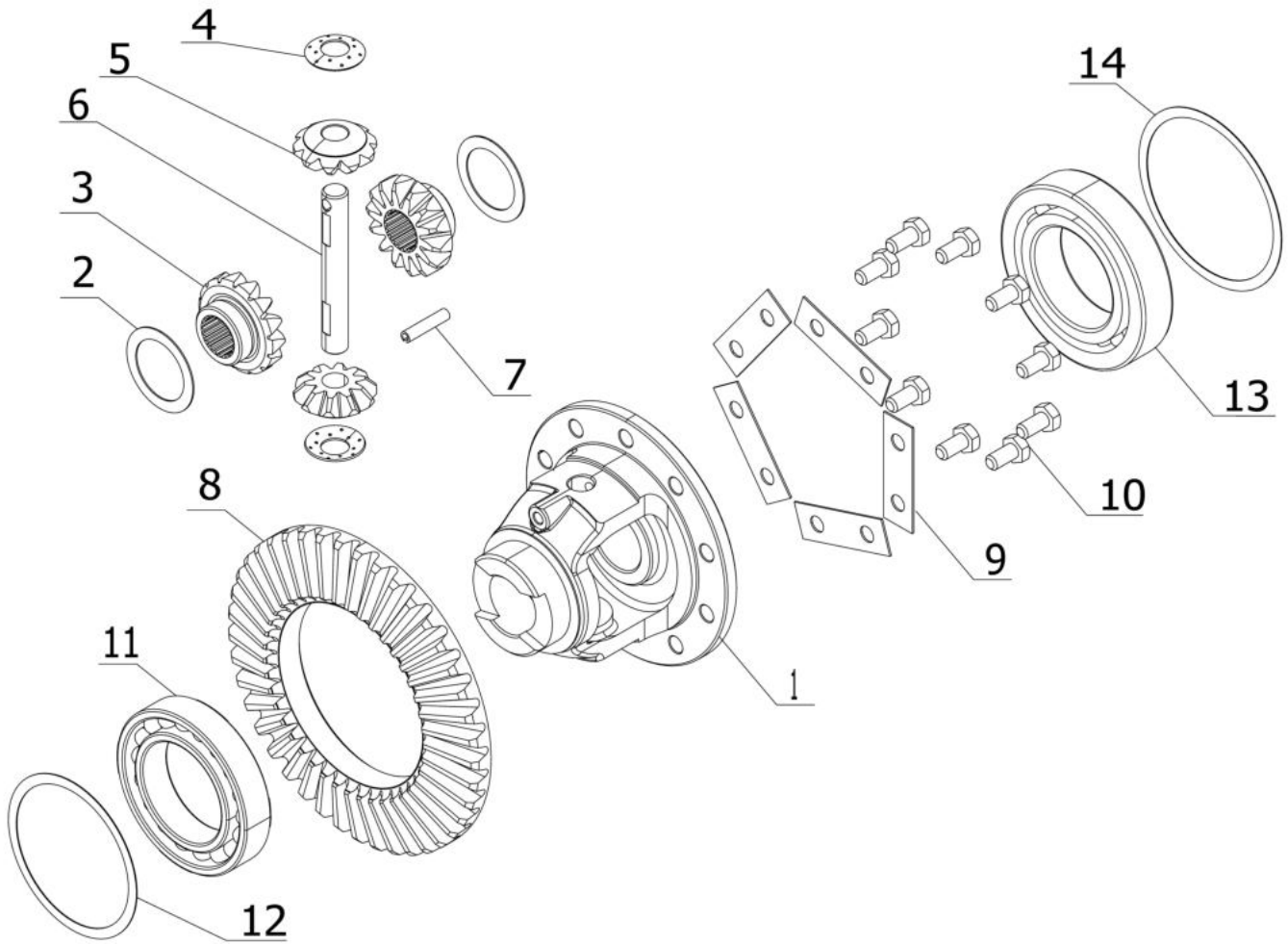


Sr.	Model	Item Code	Description	Qty	Int.	Remarks	Cut Off
6	ALL MODELS	20005547AA	HEX BOLT ,M16*2*175 10.9 SA4GS	2			
1	ALL MODELS	300024702A	FRONT AXLE BRACKET	1			
2	ALL MODELS	10053152BA	DEAD WEIGHT -UN PAINTED	2			
2	ALL MODELS	10054487BA	DEAD WEIGHT(BLACK)	2		APN 10053152BA	
3	ALL MODELS	10053739AA	BUSH	2		INTERCHANGE ABLE WITH 10053739AC (ROHS)	
4	ALL MODELS	10004900AA	LINCH PIN	1		INTERCHANGE ABLE WITH 10087916AA (ROHS)	

Sr.	Model	Item Code	Description	Qty	Int.	Remarks	Cut Off
5	ALL MODELS	10004584AD	PIN (FOR SWINGING DRAW BAR)	2			
6	ALL MODELS	20004753AA	HEX BOLT M16X2X175 10.9 SA2JS	2		INTERCHANGEABLE WITH 20005547AA (ROHS)	
7	ALL MODELS	20003246AB	HEX SCREW M14*30	2			
8	ALL MODELS	04030800017	PUNCHED WASHER DIA 17 * DIA 30 * 3	4		INTERCHANGEABLE WITH 20005456AA (ROHS)	
9	ALL MODELS	10054141AB	FRONT TOE HOOK	1			
3	ALL MODELS	10053739AC	BUSH	2	YES		
4	ALL MODELS	10004900AB	LINCH PIN	1	YES		
8	ALL MODELS	20005456AA	PUNCHED WASHER A(16) IS:2016 STEEL	4	YES		
1	SOLIS-20 EU FACELIFT (POWER STG.)	300024702E	FRONT AXLE BKT ASSY	1			
4	SOLIS-20 EU FACELIFT (POWER STG.)	10087916AA	LINCH PIN	1			

20110A-1/1

FRONT AXLE-CAGE ASSY

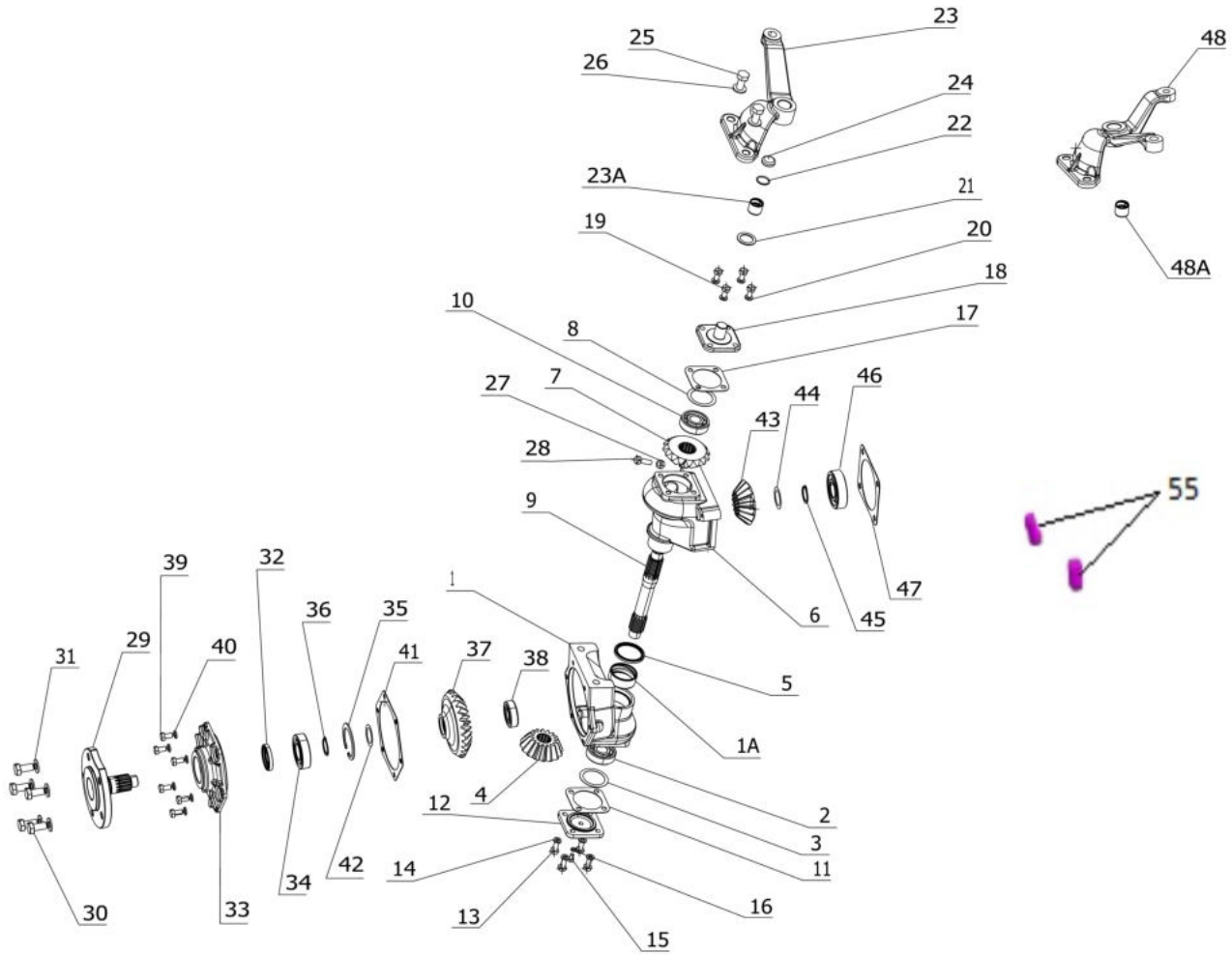


Sr.	Model	Item Code	Description	Qty	Int.	Remarks	Cut Off
10	ALL MODELS	20005559AA	HEX HEAD SCREW M8X1.25X16 -8.8 SA4GS	10			
2	ALL MODELS	10030009AC	DIFFERENTIAL SIDE GEAR LINER	2			
5	ALL MODELS	10030006AE	DIFFERENTIAL PINION GEAR (10T)	2			
1	ALL MODELS	10050813AD	DIFF. CAGE	1			
3	ALL MODELS	10030005AF	DIFFERENTIAL SIDE GEAR (14T)	2			
3	ALL MODELS	10030005AG	DIFFERENTIAL SIDE GEAR (14T)	2	YES		MMGSV331929 G
4	ALL MODELS	10030008AD	DIFFERENTIAL PINION LINER	2	YES		DMGSD306261 G
5	ALL MODELS	10030006AF	DIFFERENTIAL PINION GEAR (10T)	2	YES		MMGSV331929 G

Sr.	Model	Item Code	Description	Qty	Int.	Remarks	Cut Off
7	ALL MODELS	20004150AA	SPRING COTTER SLEEVE(Dia 6X28)	1			
8	ALL MODELS	10030240AD	GEAR RING	1	APN 1005 1363 AE	C.W T.P SET CODE (10051363AE)	
9	ALL MODELS	10050821AA	LOCKING WASHER(CROWN WHEEL)	5			
10	ALL MODELS	20002059AA	HEX SCREW M8X1.25X16	10		INTERCHANGE ABLE WITH 20005559AA (ROHS)	
11	ALL MODELS	20004124AA	BALL BEARING 6011	1			
12	ALL MODELS	10051075AA	SHIM(CAGE FRONT AXLE) DIA 90	1			
12(i)	ALL MODELS	10051283AA	SHIM(CAGE FRONT AXLE) DIA 90	1			
12(ii)	ALL MODELS	10051077AA	SHIM(CAGE FRONT AXLE) DIA 90	1			
13	ALL MODELS	04000155100	BALL BEARING 6211	1		INTERCHANGE ABLE WITH 20005053AA (ROHS)	
14	ALL MODELS	10051069AA	SHIM(CAGE FRONT AXLE) DIA 100	1			
14(i)	ALL MODELS	10051282AA	SHIM(CAGE FRONT AXLE) DIA 100	1			
14(ii)	ALL MODELS	10051071AA	SHIM(CAGE FRONT AXLE) DIA 100	1			
4	ALL MODELS	10030008AC	DIFFERENTIAL PINION LINER	2			
6	ALL MODELS	10050833AB	PINION SHAFT	1			
1	ALL MODELS	10052748AA	DIFF. CAGE	1	YES		FMGSV350927G
11	ALL MODELS	20004124AB	BALL BEARING (6011)	1	YES		
13	ALL MODELS	20005053AA	BALL BEARING 6211	1	YES		

20120A-1/3

FRONT AXLE- STUB AXLE & COVER ASSY



Sr.	Model	Item Code	Description	Qty	Int.	Remarks	Cut Off
1A	ALL MODELS	300059783A	BUSH (FRONT AXLE HOUSING)	2			
1+1A	ALL MODELS	10051257BE	Assy Front axle Hsg	2			
11	ALL MODELS	10054282AA	GASKET STEERING ARM GUIDE	2			
17	ALL MODELS	10054282AA	GASKET STEERING ARM GUIDE	2			
22	ALL MODELS	20002960AC	O-RING (FOR DIFF LOCK)	2			
25	ALL MODELS	20005682AA	HEX SCREW M12X1.75X25 -10.9 SA4GS	4			
30	ALL MODELS	20005557AA	HEX SCREW M12X1.25X25 SA4GS	10			
32	ALL MODELS	20004128AC	Oil Seal 4B 047035 (super seal)	2			

Sr.	Model	Item Code	Description	Qty	Int.	Remarks	Cut Off
41	ALL MODELS	10054286AA	GASKET FRONT AXLE COVER	2			
47	ALL MODELS	10054285AA	GASKET (STUB AXLE HSG)	2			
48A	ALL MODELS	300059786A	BUSH (STEERING ARM)	1			
23+23	ALL MODELS	10051293AF	ASSY STEERING ARM (SINGLE)	1			
45	ALL MODELS	20004276AA	EXTERNAL CIRCLIP A-28	2			
19	ALL MODELS	20001089AA	Hex. head screw M8 x 1.25 x 20 8-8 SA2JS	8	YES	INTERCHANGEABLE WITH 20005564AA (ROHS)	MEMAMKSF551219G26
42(i)	ALL MODELS	10051281AA	SHIM SMALL(T.P. SHAFT)-0.30	1			
42(ii)	ALL MODELS	10051150AA	SHIM SMALL(T.P. SHAFT)-0.50	1			
43	ALL MODELS	10051052AB	BEVEL GEAR Z-15	2			
44	ALL MODELS	10051309AA	SHIM(GEAR Z-15)-0.20	1			
44(i)	ALL MODELS	10051310AA	SHIM(GEAR Z-15)-0.30	1			
44(ii)	ALL MODELS	10051311AA	SHIM(GEAR Z-15)-0.50	1			
46	ALL MODELS	20004125AA	BALL BEARING 63 28	2		INTERCHANGEABLE WITH 20004125AB (ROHS)	
48+48	ALL MODELS	10051294AC	ASSY STEERING ARM (DOUBLE)	1			
47	ALL MODELS	10051297AB	GASKET (STUB AXLE HSG)	2		INTERCHANGEABLE WITH 10054285AA (ROHS)	
48+48	ALL MODELS	10051294AF	ASSY STEERING ARM (DOUBLE)	1	YES		GMGSU488005G
48	ALL MODELS	10051008AC	STEERING ARM (DOUBLE)	1			
48A	ALL MODELS	10051290AA	BUSH-STEERING ARM(DOUBLE)	1		INTERCHANGEABLE WITH 300059786A (ROHS)	
50	ALL MODELS	10051938AA	SEALING WASHER 8X12	2		WITH 10051257AJ FROM	FMGSU494734G
51	ALL MODELS	20002059AA	Hex. head screw M8 x 1.25 x 16 8-8 SA2JS	2		WITH 10051257AJ FROM	FMGSU494734G
32	ALL MODELS	20004128AC	OIL SEAL 4B 047035 (SUPER SEAL)	2	YES		HMGSU502657G
33	ALL MODELS	10051005AF	FRONT AXLE COVER	2	YES		HMGSU502657G
23	ALL MODELS	10051006AE	STEERING ARM(SINGLE)	1			
23A	ALL MODELS	10051290AC	BUSH-STEERING ARM(SINGLE)	1		INTERCHANGEABLE WITH 300059786A (ROHS)	
1+1A	ALL MODELS	10051257AG	ASSY. FRONT AXLE HSG.	2			
1+1A	ALL MODELS	10051257AI	ASSY. FRONT AXLE HSG.	2	NO	INTERCHANGEABLE WITH 10051257BE	EMGSD297993G

Sr.	Model	Item Code	Description	Qty	Int.	Remarks	Cut Off
						(ROHS)	
1+1A	ALL MODELS	10051257AJ	ASSY. FRONT AXLE HSG.	2	YES (AS A SET)	INTERCHANGE ABLE WITH 10051257BE (ROHS)	FMGSU494734G
1	ALL MODELS	10051007AF	FRONT AXLE HSG.	2			
1	ALL MODELS	10051007AH	FRONT AXLE HSG.	2	NO		EMGSD297993G
1	ALL MODELS	10051007AI	FRONT AXLE HSG.	2	YES (AS A SET)		FMGSU494734G
1A	ALL MODELS	10051061AB	BUSH(FRONT AXLE HSG.)	2			
1A	ALL MODELS	10051061AC	BUSH(FRONT AXLE HSG.)	2		INTERCHANGE ABLE WITH 300059783A (ROHS)	CMGSV384274G
1A	ALL MODELS	10051256AC	BUSH(FRONT AXLE HSG.)	2			
1A	ALL MODELS	10051256AD	BUSH(FRONT AXLE HSG.)	2	NO	WITH 10051007AH	EMGSD297993G
2	ALL MODELS	20004333AA	TAPPER ROLLER BEARING 30304	2			
3	ALL MODELS	10051312AA	SHIM(GEAR Z-16)-0.20	1			
3(i)	ALL MODELS	10051313AA	SHIM(GEAR Z-16)-0.30	1			
3(ii)	ALL MODELS	10051314AA	SHIM(GEAR Z-16)-0.50	1			
4	ALL MODELS	10051092AB	BEVEL GEAR Z-16 (LOWER)	2			
5	ALL MODELS	20004126AA	OIL SEAL TYPE-3B (54.2x44.4x4.7)	2			
5	ALL MODELS	20004126AB	OIL SEAL TYPE 3B(54X42.7X8)	2	NO	WITH 10051257AI	EMGSD297993G
6	ALL MODELS	10051004AF	STUB AXLE HSG.	2			
7	ALL MODELS	10051053AB	BEVEL GEAR Z-16 (UPPER)	2			
8	ALL MODELS	10051312AA	SHIM(GEAR Z-16)-0.20	1			
8(i)	ALL MODELS	10051313AA	SHIM(GEAR Z-16)-0.30	1			
8(ii)	ALL MODELS	10051314AA	SHIM(GEAR Z-16)-0.50	1			
9	ALL MODELS	10051027AA	STUB AXLE	2			
10	ALL MODELS	20004333AA	TAPPER ROLLER BEARING 30304	2			
11	ALL MODELS	10051203AA	GASKET STEERING ARM GUIDE	2		INTERCHANGE ABLE WITH 10054282AA (ROHS)	
12	ALL MODELS	10051018AA	BEARING COVER	2			
13	ALL MODELS	20001096AA	HEX SCREW M8X1.25X20	8		INTERCHANGE ABLE WITH 20005565AA (ROHS)	
14	ALL MODELS	04030400008	SPRING WASHER B-8	8		INTERCHANGE ABLE WITH 20005517AA (ROHS)	

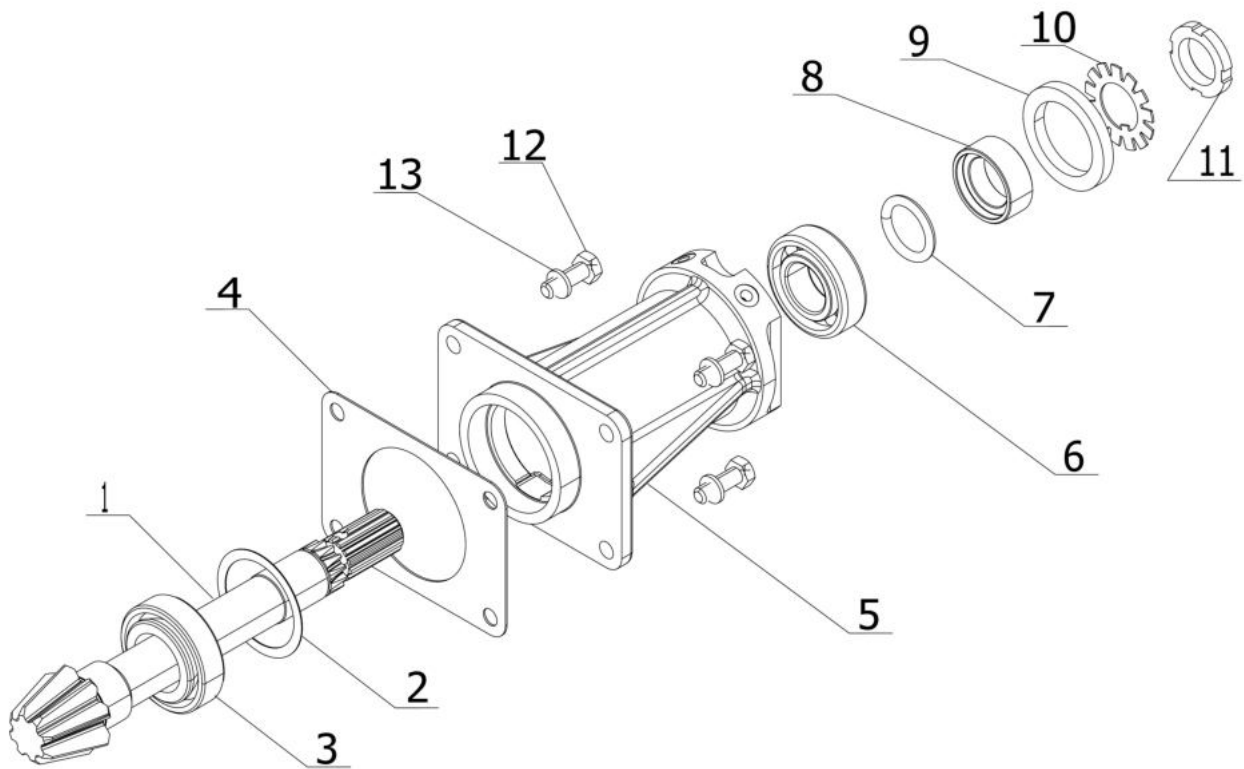
Sr.	Model	Item Code	Description	Qty	Int.	Remarks	Cut Off
15	ALL MODELS	20004356AA	HEX SCREW M8X1.25X12 8.8 SA3NS	2			
16	ALL MODELS	10051938AA	SEALING WASHER 8X12	2			
17	ALL MODELS	10051203AA	GASKET STEERING ARM GUIDE	2		INTERCHANGEABLE WITH 10054282AA (ROHS)	
18	ALL MODELS	10051015AB	STEERING ARM GUIDE	2			
18	ALL MODELS	10051015AD	STEERING ARM GUIDE	2	YES	APN 10051004CA, 10051015BA, 10052662AA, 20004253AA	MMGSU480615G
19	ALL MODELS	20001096AA	HEX SCREW M8X1.25X20	8		INTERCHANGEABLE WITH 20005565AA (ROHS)	
20	ALL MODELS	04030400008	SPRING WASHER B-8	8		INTERCHANGEABLE WITH 20005517AA (ROHS)	
21	ALL MODELS	10051026AB	WASHER (STEERING ARM GUIDE	2			
22	ALL MODELS	20002960AA	O-RING (FOR DIFF LOCK)	2		INTERCHANGEABLE WITH 20002960AC (ROHS)	
23+23	ALL MODELS	10051293AB	ASSY STEERING ARM (SINGLE)	1		INTERCHANGEABLE WITH 10051293AF (ROHS)	
23+23	ALL MODELS	10051293AE	ASSY STEERING ARM (SINGLE)	1	YES	INTERCHANGEABLE WITH 10051293AF (ROHS)	GMGSU488005G
23	ALL MODELS	10051006AB	STEERING ARM(SINGLE)	1			
23A	ALL MODELS	10051290AB	BUSH-STEERING ARM(SINGLE)	1			
24	ALL MODELS	10051277AA	CAP STEERING ARM	2			
25	ALL MODELS	20002021AA	HEX HEAD SCREW M12 x1.75x25 10.9 SA2JS	4		INTERCHANGEABLE WITH 20005557AA (ROHS)	
26	ALL MODELS	04030400012	SPRING WASHER B-12	4			
27	ALL MODELS	04040708045	HEX BOLT M8X1.25X45	2		INTERCHANGEABLE WITH 20005548AA (ROHS)	
28	ALL MODELS	20003355AB	HEX.. NUT M8	2		INTERCHANGEABLE WITH 200000391A (ROHS)	
29	ALL MODELS	10051009AB	FRONT AXLE	2			
29	ALL MODELS	10051009AC	FRONT AXLE	2	YES		MMGSV331929G
30	ALL MODELS	20004154AB	HEX SCREW M12X1.25x25	10		INTERCHANGEABLE WITH 20005557AA (ROHS)	

Sr.	Model	Item Code	Description	Qty	Int.	Remarks	Cut Off
31	ALL MODELS	04030400012	SPRING WASHER B-12	10			
32	ALL MODELS	20004128AB	Oil Seal 4B 047035 (super seal)	2			
33	ALL MODELS	10051005AD	FRONT AXLE COVER	2			
33	ALL MODELS	10051005AE	FRONT AXLE COVER	2	YES		JMGSD303750G
34	ALL MODELS	20003468AA	BEARING 6206 NTN	2			
35	ALL MODELS	04020100062	INTERNAL CIRCLIP B-62	2			
36	ALL MODELS	20004158AA	EXTERNAL CIRCLIPA-29	2			
37	ALL MODELS	10051054AC	BEVEL GEARr Z-27	2			
38	ALL MODELS	20002910AA	BALL BEARING 6204	2			
39	ALL MODELS	20001096AA	HEX SCREW M8X1.25X20	12		INTERCHANGE ABLE WITH 20005565AA (ROHS)	
40	ALL MODELS	04030400008	SPRING WASHER B-8	12		INTERCHANGE ABLE WITH 20005517AA (ROHS)	
41	ALL MODELS	10051243AB	GASKET FRONT AXLE COVER	2		INTERCHANGE ABLE WITH 10054286AA (ROHS)	
42	ALL MODELS	10050793AA	SHIM SMALL(T.P. SHAFT)-0.20	1			
25	ALL MODELS	20002021AC	HEX. HEAD SCREW M12X1.75X25	4	YES	INTERCHANGE ABLE WITH 20005682AA (ROHS)	BMGSF536902G
6	ALL MODEL	10051004CA	STUB AXLE HSG	2	NO	10051004AF, 10051004BA, 10051015AD, 10051015AE INTERCHANGE ABLE AS A SET WITH 10051004CA, 10051015BA, 10052662AA, 20004253AA	MEMEMKST661 152G26
18	ALL MODEL	10051015BA	STEERING ARM GUIDE	2	NO	10051004AF, 10051004BA, 10051015AD, 10051015AE INTERCHANGE ABLE AS A SET WITH 10051004CA, 10051015BA, 10052662AA, 20004253AA	MEMEMKST661 152G26
55	ALL MODEL	10052662AA	DOWEL (8X15)	4		10051004AF, 10051004BA, 10051015AD, 10051015AE INTERCHANGE ABLE AS A SET WITH 10051004CA,	MEMEMKST661 152G26

Sr.	Model	Item Code	Description	Qty	Int.	Remarks	Cut Off
						10051015BA, 10052662AA, 20004253AA	
13	ALL MODELS	20005565AA	HEX HEAD SCREW M8X1.25X20 -8.8 SA4GS	8	YES		
14	ALL MODELS	20005517AA	SPRING WASHER B-8 TYPE A IS: 3067-1972	8	YES		
19	ALL MODELS	20005565AA	HEX HEAD SCREW M8X1.25X20 -8.8 SA4GS	8	YES		
20	ALL MODELS	20005517AA	SPRING WASHER B-8 TYPE A IS: 3067-1972	8	YES		
27	ALL MODELS	20005548AA	HEX BOLT M8X1.25-45 -8.8 SA4GS	2	YES		
39	ALL MODELS	20005565AA	HEX HEAD SCREW M8X1.25X20 -8.8 SA4GS	12	YES		
40	ALL MODELS	20005517AA	SPRING WASHER B-8 TYPE A IS: 3067-1972	12	YES		
46	ALL MODELS	20004125AB	BALL BEARING 63/28	2	YES		
4	SOLIS-20 EU FACELIFT (POWER STG.)	300000300B	BEVEL GEAR LOWER Z-16	2			
6	SOLIS-20 EU FACELIFT (POWER STG.)	10051004CD	Stub Axle Hsg	2			
7	SOLIS-20 EU FACELIFT (POWER STG.)	300000302B	BEVEL GEAR UPPER Z-16	2			
13	SOLIS-20 EU FACELIFT (POWER STG.)	200000430A	HEX. HEAD SCREW M8X1.25X20 8.8 SA4GS	8			
19	SOLIS-20 EU FACELIFT (POWER STG.)	200000430A	HEX. HEAD SCREW M8X1.25X20 8.8 SA4GS	8			
29	SOLIS-20 EU FACELIFT (POWER STG.)	10051009AF	FRONT AXLE	2			
36	SOLIS-20 EU FACELIFT (POWER STG.)	20003856AA	CIRCLIP A-30 HEAVY DUTY (FOR LAY SHAFT)	2			
37	SOLIS-20 EU FACELIFT (POWER STG.)	300000297B	BEVEL GEAR Z-27	2			
39	SOLIS-20 EU FACELIFT (POWER STG.)	200000430A	HEX. HEAD SCREW M8X1.25X20 8.8 SA4GS	12			
43	SOLIS-20 EU FACELIFT (POWER STG.)	300000301A	BEVEL GEAR Z-15	2			
48	SOLIS-20 EU FACELIFT (POWER STG.)	10053079AC	STEERING ARM (DOUBLE)	1			
48+48	SOLIS-20 EU FACELIFT (POWER STG.)	10053135AC	ASSY STEERING ARM (DOUBLE)	1			
48A	SOLIS-20 EU FACELIFT (POWER STG.)	10051290AC	BUSH-STEERING ARM(DOUBLE)	1			
51	SOLIS-20 EU FACELIFT (POWER STG.)	20005559AA	HEX HEAD SCREW M8X1.25X16 -8.8 SA4GS	2			

20130A-1/1

FRONT AXLE - TAIL PINION ASSY

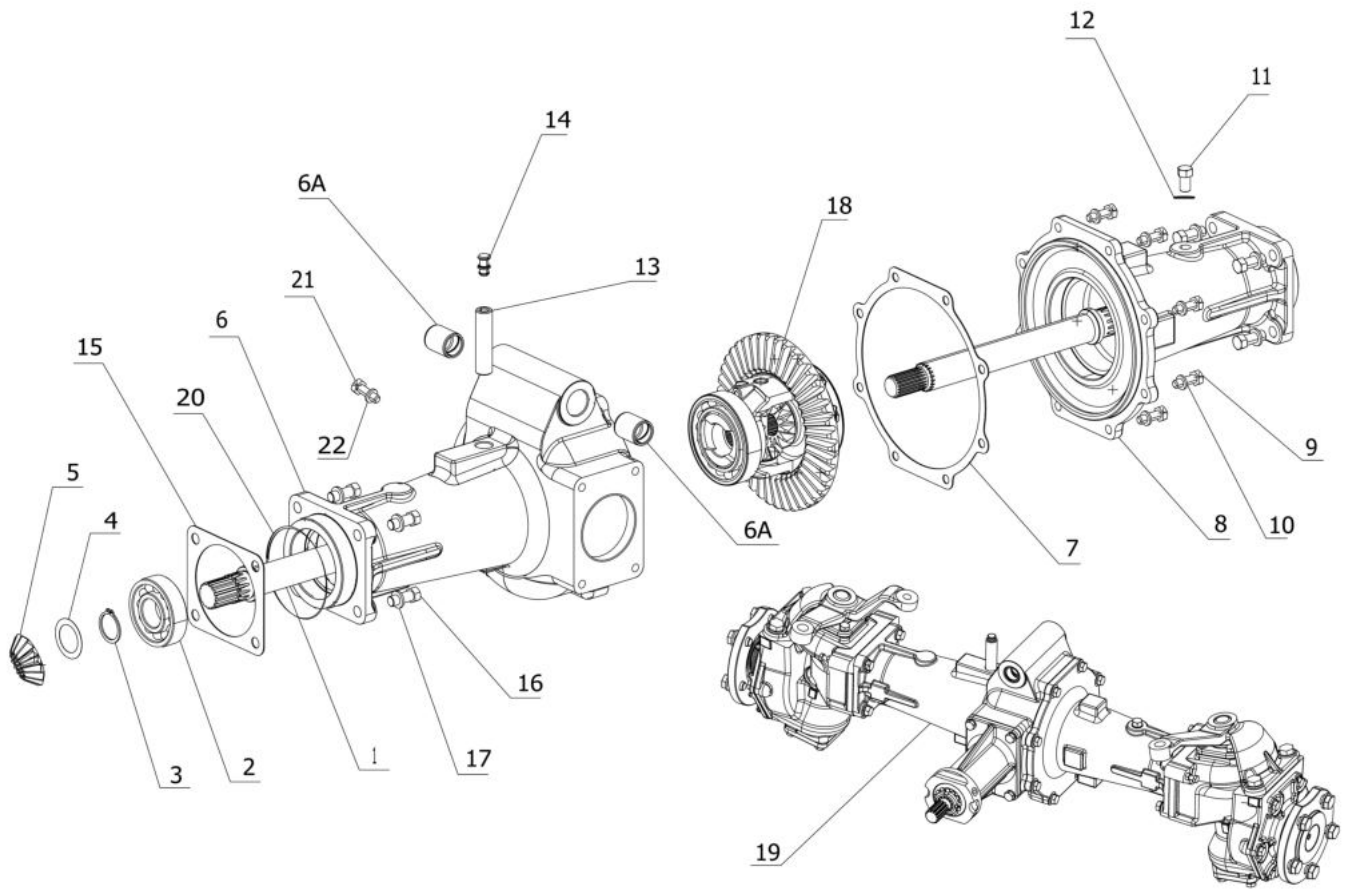


Sr.	Model	Item Code	Description	Qty	Int.	Remarks	Cut Off
4	ALL MODELS	10054283AA	GASKET (TP CARRIER)	1			
1	ALL MODELS	10051022AD	TAIL PINION	1		C.W & T.P SET CODE (APN 10051363AE)	
2	ALL MODELS	10050799AA	SHIM BIG(T.P SHAFT)	1			
2(i)	ALL MODELS	10051280AA	SHIM BIG(T.P SHAFT)	1			
2(ii)	ALL MODELS	10051155AA	SHIM BIG(T.P SHAFT)	1			
3	ALL MODELS	20004121AA	TR BEARING 32006	1		INTERCHANGE ABLE WITH 20004121AB (ROHS)	
4	ALL MODELS	10051065AA	GASKET(T.P. CARRIER)	1		INTERCHANGE ABLE WITH	

Sr.	Model	Item Code	Description	Qty	Int.	Remarks	Cut Off
						10054283AA (ROHS)	
5	ALL MODELS	10051001AB	T.P CARRIER	1			
6	ALL MODELS	20004119AA	BALL BEARING (6205)	1		INTERCHANGE ABLE WITH 20004119AB (ROHS)	
7	ALL MODELS	20004140AA	O-RING DIA 24.3X4.6	1			
8	ALL MODELS	10051021AA	SLEEVE (T.P. SHAFT)	1			
9	ALL MODELS	20004127AB	OIL SEAL 4B 053037 (SUPER SEAL)	1			
10	ALL MODELS	10050774AC	LOCKING WASHER	1			
11	ALL MODELS	10050773AB	WITHDRAWL NUT	1			
12	ALL MODELS	20001089AA	HEX SCREW M8X1.25X25	4		INTERCHANGE ABLE WITH 20005564AA (ROHS)	
13	ALL MODELS	04030400008	SPRING WASHER B-8	4		INTERCHANGE ABLE WITH 20005517AA (ROHS)	
8	ALL MODELS	10051021BA	SLEEVE (T.P. SHAFT)	1	NO	INTERCHANGE ABILITY AS A SET WITH 10075013AB, 10012629AB AND 10055222AA	KMGST688134G
7	ALL MODELS	10075013AB	O-RING DIA 24.75X2.25	1	NO	INTERCHANGE ABILITY AS A SET WITH 10051021BA, 10012629AB AND 10055222AA	KMGST688134G
3	ALL MODELS	20004121AB	TR BEARING 32006	1	YES		
6	ALL MODELS	20004119AB	BALL BEARING (6205)	1	YES		
13	ALL MODELS	20005517AA	SPRING WASHER B-8 TYPE A IS: 3067-1972	4	YES		
8	SOLIS-20 EU FACELIFT (POWER STG.)	10051021BB	SLEEVE (T.P. SHAFT)	1			
12	SOLIS-20 EU FACELIFT (POWER STG.)	20005564AA	HEX HEAD SCREW M8X1.25-25 -8.8 SA4GS	4			

20140A-1/1

FRONT AXLE- TRUMPET ASSY



Sr.	Model	Item Code	Description	Qty	Int.	Remarks	Cut Off
7	ALL MODELS	10054284AA	GASKET (FRONT AXLE HSG)	1			
13	ALL MODELS	10051276AF	BREATHER	1			
14	ALL MODELS	10051259AC	BREATHER CAP	1			
15	ALL MODELS	10054285AA	GASKET (STUB AXLE HSG)	2			
20	ALL MODELS	10051852AC	O RING Ø89.4X Ø2.0	2			
6+6A	ALL MODELS	10051244AH	Assy trumpet Hsg Front (L)	1			
22	ALL MODELS	10051315AA	SEALING WASHER 6x10	1			
10	ALL MODELS	04030400008	SPRING WASHER B-8	8		INTERCHANGEABLE WITH 20005517AA	

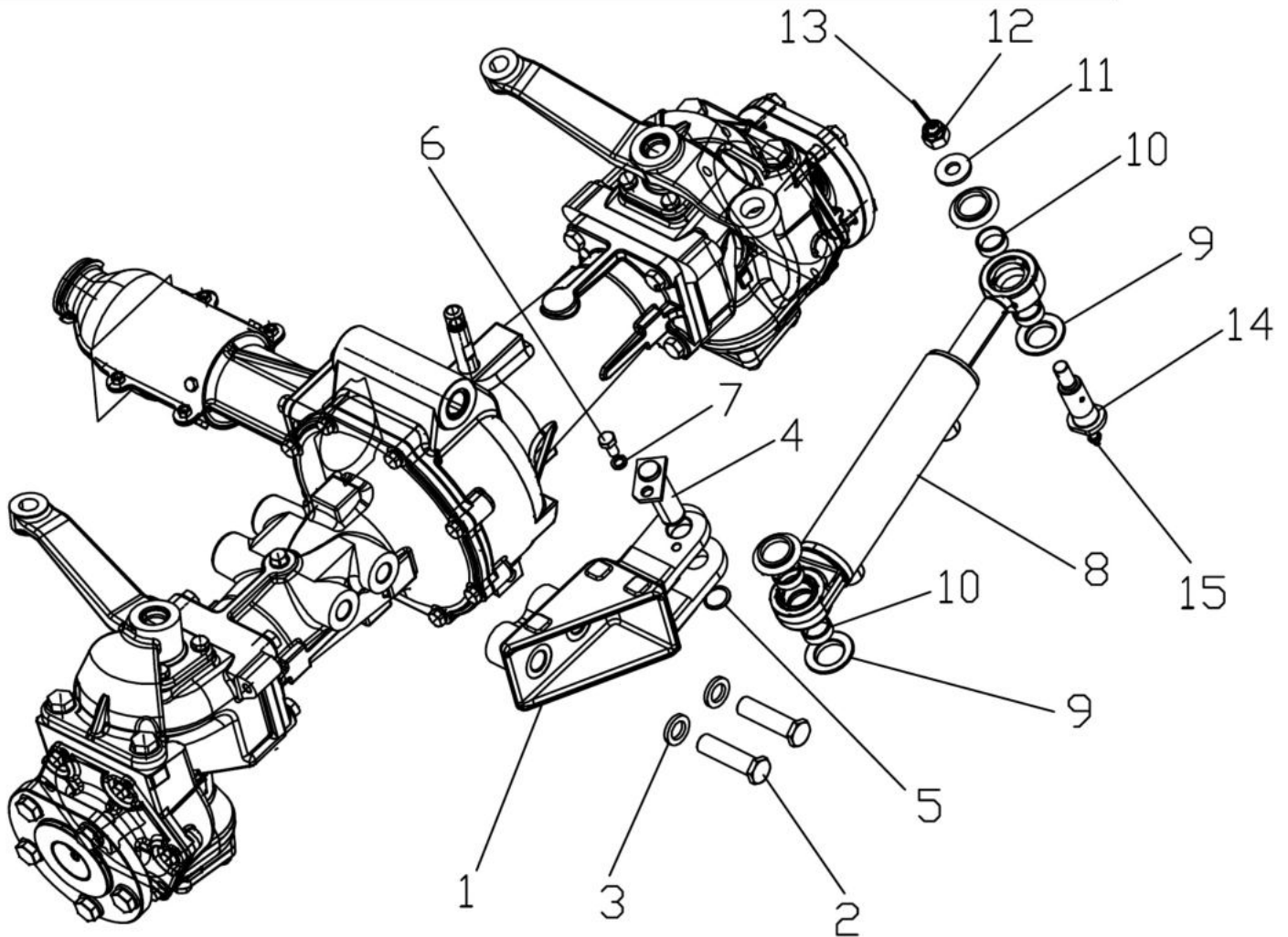
Sr.	Model	Item Code	Description	Qty	Int.	Remarks	Cut Off
						(ROHS)	
6	ALL MODELS	10050994AG	TRUMPET HSG. FRONT(LEFT)	1			
6A	ALL MODELS	10051061AB	BUSH	2			
8	ALL MODELS	10050991AG	TRUMPET HSG. FRONT(RIGHT)	1			BMGSE398975G
13	ALL MODELS	10051276AD	BREATHER	1		INTERCHANGE ABLE WITH 10051276AF (ROHS)	BMGSE398975G
19	SOLIS-20 (WIDER TYRE)	10054183AA	FRONT AXLE ASSY GT 20 WIDER TYRES	1			
6+6A	ALL MODELS	10051244AG	ASSY. TRUMPET HSG FRONT(LEFT)	1		INTERCHANGE ABLE WITH 10051244AH (ROHS)	BMGSE398975G
1	ALL MODELS	10051010AC	FRONT AXLE SHAFT	2			
2	ALL MODELS	20004125AA	BALL BEARING 63 28	2		INTERCHANGE ABLE WITH 20004125AB (ROHS)	
3	ALL MODELS	20004276AA	EXTERNAL CICLIP A-28	2			
4	ALL MODELS	10051309AA	SHIM(GEAR Z-15)-0.20	1			
4(i)	ALL MODELS	10051310AA	SHIM(GEAR Z-15)-0.30	1			
4(ii)	ALL MODELS	10051311AA	SHIM(GEAR Z-15)-0.50	1			
5	ALL MODELS	10051052AB	BEVEL GEAR Z-15	2			
21	ALL MODELS	20000104AA	HEX SCREW M6X10	1		INTERCHANGE ABLE WITH 20005573AA (ROHS)	
6 6A	ALL MODELS	10051244AC	ASSY. TRUMPET HSG FRONT(LEFT)	1			
6 6A	ALL MODELS	10051244AD	ASSY. TRUMPET HSG FRONT(LEFT)	1	YES		
6	ALL MODELS	10050994AB	TRUMPET HSG. FRONT(LEFT)	1			
6A	ALL MODELS	10051061AA	BUSH	2			
7	ALL MODELS	10051064AA	GASKET FRONT AXLE	1		INTERCHANGE ABLE WITH 10054284AA (ROHS)	
8	ALL MODELS	10050991AD	TRUMPET HSG. FRONT(RIGHT)	1			
9	ALL MODELS	20001089AA	HEX SCREW M8X1.25X25	8		INTERCHANGE ABLE WITH 20005564AA (ROHS)	
11	ALL MODELS	20003235AA	HEX SCREW M10XX20 8-8 SA3NS	1			
11	ALL MODELS	20003235AB	HEX SCREW M10XX20 8-8 SA3NS	1	YES		
12	ALL MODELS	10051317AA	SEALING WASHER 10x16	1			
13	ALL MODELS	10051276AC	BREATHER	1			
14	ALL MODELS	10051259AA	BREATHER CAP	1		INTERCHANGE ABLE WITH	

Sr.	Model	Item Code	Description	Qty	Int.	Remarks	Cut Off
						10051259AC (ROHS)	
15	ALL MODELS	10051297AB	GASKET (STUB AXLE HSG)	2		INTERCHANGE ABLE WITH 10054285AA (ROHS)	
16	ALL MODELS	20002016AB	HEX SCREW M10X1.5X30	8		INTERCHANGE ABLE WITH 20005562AA (ROHS)	
17	ALL MODELS	04030400010	SPRING WASHER B-10	8			
18	ALL MODELS	10030240AD	GEAR RING	1		APN 10051363AE (C. W T.P SET CODE)	
19	ALL MODELS	10051032AA	FRONT AXLE ASSY(GARDEN TRAC)	1			
20	ALL MODELS	10051852AA	O-RING	2		INTERCHANGE ABLE WITH 10051852AC (ROHS)	
14	ALL MODELS	10012629AB	BREATHER ASSY	1	NO	INTERCHANGE ABILITY AS A SET WITH 10051021BA, 10075013AB AND 10055222AA	KMGST688134G
13	ALL MODELS	10055222AA	BREATHER (PADDY AXLE)	1	NO	INTERCHANGE ABILITY AS A SET WITH 10051021BA, 10075013AB AND 10012629AB	KMGST688134G
2	ALL MODELS	20004125AB	BALL BEARING 63/28	2	YES		
10	ALL MODELS	20005517AA	SPRING WASHER B-8 TYPE A IS: 3067-1972	8	YES		
21	ALL MODELS	20005573AA	HEX SCREW M6X10	1	YES		
19	SOLIS-20 BOM2011A7330JDAJUDE, 2011A7511JDAJUDEP, 2011A7512JDAJUDEP, 2011A7513JDAJUDEP, 2011A7514JDAJUDEP, 2011A7599JDAJUDEP	10053136AA	FRONTAXLEASSY GT26 PS	1		INTERCHANGE ABLE WITH 300108745A (ROHS)	
19	SOLIS-20 BOM2011A7330JDAJUDE, 2011A7511JDAJUDEP, 2011A7512JDAJUDEP, 2011A7513JDAJUDEP, 2011A7514JDAJUDEP, 2011A7599JDAJUDEP	300182527A	FRONT AXLEASSY GT20 WIDER TYR POWER STEE	1	YES		MEMRMGSNSM LH09787
19	SOLIS-20 BOM2011A5467JDAJUDE, 2011A5506JDAJUDE	300130695A	FRONT AXLE ASSY GT 20 WIDER TYRES	1			
19	SOLIS-20 BOM2011A5467JDAJUDE, 2011A5506JDAJUDE	300132850A	FRONT AXLE ASSY SOLIS-20 EXPORT	1	YES		MEMRMGSNSM LH09572
5	SOLIS-20 EU FACELIFT (POWER STG.)	300000301A	BEVEL GEAR Z-15	2			
8	SOLIS-20 EU FACELIFT (POWER STG.)	10053743AA	TRUMPET HOUSING FRONT AXLE (R)	1			

Sr.	Model	Item Code	Description	Qty	Int.	Remarks	Cut Off
9	SOLIS-20 EU FACELIFT (POWER STG.)	20005564AA	HEX HEAD SCREW M8X1.25-25 -8.8 SA4GS	8			
13	SOLIS-20 EU FACELIFT (POWER STG.)	10055222AB	BREATHER (PADDY AXLE)	1			
14	SOLIS-20 EU FACELIFT (POWER STG.)	300028708B	BREATHER ASSY	1			
16	SOLIS-20 EU FACELIFT (POWER STG.)	20005562AA	HEX HEAD SCREW M10X1.5X30 -8.8 SA4GS	8			
19	SOLIS-20 EU FACELIFT (POWER STG.)	10053136AA	FRONTAXLEASSY GT26 PS	1			

20150A-1-1

STEERING CYLINDER ASSY.

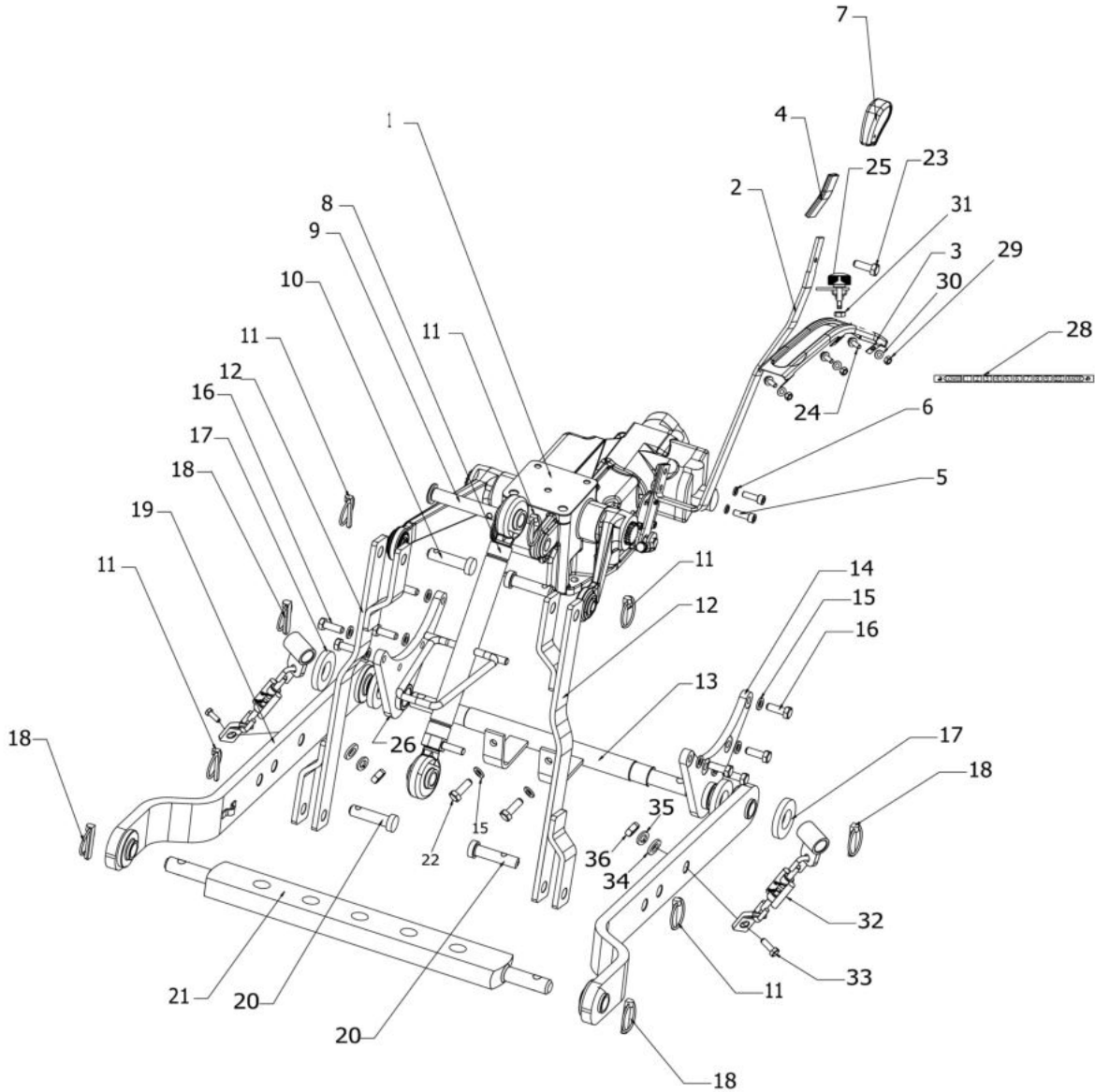


Sr.	Model	Item Code	Description	Qty	Int.	Remarks	Cut Off
1	ALL MODELS	10053791BA	STEERING. CYL. MTG. BKT	1			
2	ALL MODELS	20004734AA	HEX BOLT M16X1.5X60 10.9 SA2JS	2			
3	ALL MODELS	04030400016	SPRING WASHER B-16	2			
4	ALL MODELS	10053078AA	LOCKING PIN	1			
5	ALL MODELS	10070787AA	CIRCLIP 20X1.75XH IS: 3075 (PART 1)	1			
6	ALL MODELS	20005559AA	HEX HEAD SCREW M8X1.25X16 -8.8 SA4GS	1			
7	ALL MODELS	04030400008	SPRING WASHER B-8	1			
8	ALL MODELS	10052959BA	STEERING CYLINDER	1			

Sr.	Model	Item Code	Description	Qty	Int.	Remarks	Cut Off
9	ALL MODELS	10070775AA	RUBBER PAD FOR SPACER	4			
10	ALL MODELS	10070768AA	SPACER CYLINDER	4			
11	ALL MODELS	10053086AA	SPACER	1			
12	ALL MODELS	20004653AA	CASTLE NUT	1			
13	ALL MODELS	04010102025	SPLIT PIN DIA 2*25	1			
14	ALL MODELS	10053080AC	PIN DIA-20	1			
15	ALL MODELS	04043200008	GREASE NIPPLE M6X1	1			

21110A-1/2

THREE POINT LINKAGES ASSY.



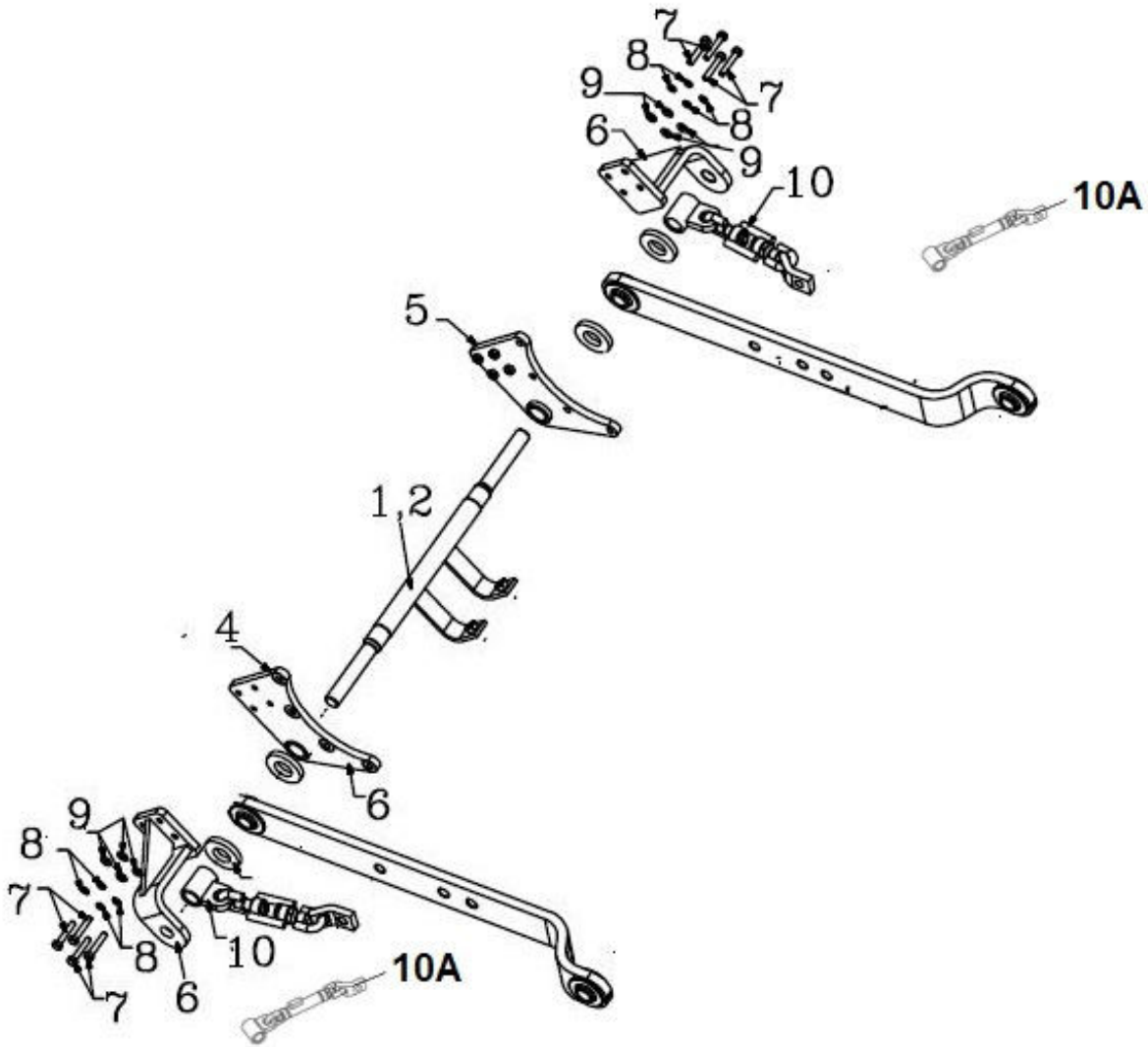
Sr.	Model	Item Code	Description	Qty	Int.	Remarks	Cut Off
9	ALL MODELS	10057679AA	PIN FOR TOP LINK	1			
2	ALL MODELS	10051249BF	POSITION LEVER	1			
13	SOLIS-20(8.3*20 TYRE), SOLIS-20(TRUF TYRE)	10055554AC	Shaft Lower Link	1			
17	ALL MODELS	10057675AA	SPACER FOR LOWER LINK	4			
19	ALL MODELS	10051212AJ	LOWER LINK ASSY	2			
23	ALL MODELS	20005534AA	SLOTTED CHEASE HEAD SCREW M5*15	1			
29	ALL MODELS	300028453A	HEX NUT M5-8 SA2JS	3			
30	ALL MODELS	300032712A	WASHER	3			

Sr.	Model	Item Code	Description	Qty	Int.	Remarks	Cut Off
36	WITH 10052349AA,WITH 10052349AB	20005505AA	HEX NUT M14X2 -8 SA4GS	2			
1	DI-20 GT WITH MITA LIFT WITHOUT TIPPING TRAILER,SOLIS 20 WITH MITA LIFT WITHOUT TIPPING TRAILER	10051219BB	MITA HYDRAULICS 500KG	1	YES		MEMRMKSNSB LH09295
12	DI-20 GT	10052867AA	LIFT ROD ASSY.	2	YES		BMGSV327703G
13	SOLIS-20(8.3*20 TYRE), SOLIS-20(TRUF TYRE)	10054156AA	SHAFT LOWER LINK	1		WITH SWINGING DRAW BAR	
13	SOLIS-20(8.3*20 TYRE), SOLIS-20(TRUF TYRE)	10054156AA	SHAFT LOWER LINK	1		WITH SWINGING DRAW BAR	
13	SOLIS-20(8.3*20 TYRE), SOLIS-20(TRUF TYRE)	10054650AA	SHAFT LOWER LINK	1	NO	THREE POINT LINKAGES ASSY (MODIFIED) IS IMPLEMENTED	DMGSU519912 G
14	ALL MODELS	10054335BA	BUSH PLATE ASSY LH	1	NO	THREE POINT LINKAGES ASSY (MODIFIED) IS IMPLEMENTED	DMGSU519912 G
26	ALL MODELS	10054336BA	BUSH PLATE ASSY RH	1	NO	THREE POINT LINKAGES ASSY (MODIFIED) IS IMPLEMENTED	DMGSU519912 G
32	ALL MODELS	10052349AB	ADJUSTABLE ANCHOR CHAIN	2	YES		DMGSV369497G
19	ALL MODELS	10051212AF	LOWER LINK ASSY (LH)& (RH)	2	YES	INTERCHANGEABLE WITH 10051212AJ (ROHS)	KMGSV376570G
33	WITH 10052349AA,WITH 10052349AB	20003634AA	HEX BOLT M14 x 2 x 55 8.8 SA3NS	2		ADJUSTABLE ANCHOR CHAIN IMPLEMENTED FROM	MMGSV333460 G
36	WITH 10052349AA,WITH 10052349AB	20004532AA	HEX NUT M14X2 -8 SA3NS	2		INTERCHANGEABLE WITH 20005505AA (ROHS)	
1	ALL MODELS	10051219AC	MITA HYDRAULIC 500KG(REAR COVER)	1	YES		KMGSV375952G
9	ALL MODELS	10053509AA	PIN FOR TOP LINK	1		WITH 10051219AC	KMGSV375952G
12	SOLIS-20	10051211AA	LIFT ROD ASSY.	2			
13	SOLIS-20 MODELS	10054650AB	SHAFT LOWER LINK	1		INTERCHANGEABLE WITH 10054650AA	MEMMGMSF554 104G
13	ALL MODELS	10051261BB	SHAFT LOWER LINK ASSY.	1	YES		AMGSE405758G
12	SOLIS-20	10052867AB	LIFT ROD ASSY.	2	YES		AMGSE411659G
33	WITH 10052349AA,WITH 10052349AB	20003788AA	HEX BOLT M14 x 2 x 50 8.8 SA3NS	2		INTERCHANGEABLE WITH 20005495AA (ROHS)	
1	DI-20 GT WITH TIPPING TRAILER	10053147AC	MITA HYDRAULICS 500KG	1	NO	WITH TIPPING TRAILER IMPLEMENTATION IN	GMGSU486482 G

Sr.	Model	Item Code	Description	Qty	Int.	Remarks	Cut Off
						GARDENTRAC (WITHOUT DCV OPTION)	
1	ALL MODELS	10051219AB	MITA HYDRAULIC 500KG(REAR COVER)	1	YES		EMGSD297771G
4	ALL MODELS	10051638AC	POSITION LEVER DAMPER	1			
14	ALL MODELS	10051218AB	BUSH PLATE ASSY. (RIGHT)	1	YES		DMGSD310976 G
25	ALL MODELS	10052354AC	KNOB ASSEMBLY (FOR OPERATING SECTOR)	1	YES	INTERCHANGE ABLE WITH 10052354AE (ROHS)	JMGSD303341G
26	ALL MODELS	10051217AA	BUSH PLATE ASSY. (LEFT)	1			
29	ALL MODELS	20003353AA	HEX NUT M5 -8 SA3NS	3			
2	ALL MODELS	10051249BE	POSITION LEVER	1	YES	INTERCHANGE ABLE WITH 10051249BF (ROHS)	GMGSU489598 G
1	DI-20 GT WITH MITA LIFT WITHOUT TIPPING TRAILER,SOLIS 20 WITH MITA LIFT WITHOUT TIPPING TRAILER	10051219BA	MITA HYDRAULIC 500KG	1	NO	PART MODIFIED FROM 10051219AC	MEMMGST639 247G
13	DI-20 GT	10054649AA	SHAFT LOWER LINK	1	NO	THREE POINT LINKAGES ASSY (MODIFIED) IS IMPLEMENTED	DMGSU519912 G
9	ALL MODELS	10053509AC	PIN FOR TOP LINK	1	YES		JMGSE444283G
1	ALL MODELS	10051219AA	MITA HYDRAULIC 500KG(REAR COVER)	1			
2	ALL MODELS	10051249BC	POSITION LEVER	1			
3	ALL MODELS	10051628AD	COVER POSITION LEVER - G.T	1			
4	ALL MODELS	10051638AB	POSITION LEVER DAMPER	1			
5	ALL MODELS	04040308025	HEX SOCKET HEAD CAP SCREW M8*25	2			
6	ALL MODELS	04030400008	SPRING WASHER B-8	2		INTERCHANGE ABLE WITH 20005517AA (ROHS)	
7	ALL MODELS	10050713AB	KNOB(POSITION LEVER)	1			
8	ALL MODELS	10051213AA	TOP LINK ASSY.	1		INTERCHANGE ABLE WITH 300025225A (ROHS)	
9	ALL MODELS	10051215AA	PIN FOR TOP LINK ASSY.	2		QTY 1 DEC WITH 10051219AC	
10	ALL MODELS	10051208AA	PIN (3-POINT LINKAGE)	2			
11	ALL MODELS	10080109AB	LINCH PIN ASSY.(Ø7)	6		INTERCHANGE ABLE WITH 10087923AA (ROHS)	
12	DI-20 GT	10051211AA	LIFT ROD ASSY.	2			
13	ALL MODELS	10051261AA	SHAFT LOWER LINK ASSY.	1		MODELS WITHOUT	

Sr.	Model	Item Code	Description	Qty	Int.	Remarks	Cut Off
						ADJUSTABLE ANCHOR CHAIN	
14	ALL MODELS	10051218AA	BUSH PLATE ASSY. (RIGHT)	1			
15	ALL MODELS	04030400010	SPRING WASHER B-10	10			
16	ALL MODELS	20003223AA	HEX BOLT M10*1.5*90 8-8 SA3NS	8		INTERCHANGEABLE WITH 20003223AB (ROHS)	
17	ALL MODELS	10051635AA	SPACER FOR LOWER LINK	4			
18	ALL MODELS	10004256AA	LINCH PIN ASSY. (Ø11)	4		DELETED IN MODIFIED THREE POINT LINKAGES ASSY	DMGSU519912 G
19	ALL MODELS	10051212AA	LOWER LINK ASSY (LH)& (RH)	2			
20	ALL MODELS	10051208AA	PIN (3-POINT LINKAGE-LIFT ROD)	2			
21	ALL MODELS	10051214AB	DRAW BAR ASSY.	1			
23	ALL MODELS	04042905015	SLOTTED CHEESE HD SCREW M5*15	1		INTERCHANGEABLE WITH 20005534AA (ROHS)	
24	ALL MODELS	-	HEX FLANGE SCREW M5*15	3		SUB PARTS OF S.NO.3-COVER POSITION LEVER	
25	ALL MODELS	10052353AA	KNOB ASSY (FOR OPERATING SECTOR)	1			
25	ALL MODELS	10052354AA	KNOB ASSEMBLY (FOR OPERATING SECTOR)	1			
26	ALL MODELS	10051217AB	BUSH PLATE ASSY. (LEFT)	1	YES		DMGSD310976 G
22	ALL MODELS	20003278AC	HEX SCREW M10X35	2			
28	ALL MODELS	10051304AA	POSITION INDICATOR STICKER	1			
29	ALL MODELS	20004379AA	HEX NUT M5-8 SA2JS	3		WITH 10052354AC	
30	ALL MODELS	04030600005	PLAIN WASHER DIA 5.3 *DIA 15*1.5	3		INTERCHANGEABLE WITH 300032712A (ROHS)	
13	ALL MODELS	10051261BA	SHAFT LOWER LINK ASSY.	1		WITH S.NO 32 TO 36	MMGSV333460 G
19	ALL MODELS	10051212AD	LOWER LINK ASSY (LH)& (RH)	2			
31	ALL MODELS	04041000006	HEX NYLOC NUT M6	1		INTERCHANGEABLE WITH 20004915AB (ROHS)	
32	ALL MODELS	10052349AA	ADJUSTABLE ANCHOR CHAIN	2		ADJUSTABLE ANCHOR CHAIN IMPLEMENTED FROM	MMGSV333460 G
34	WITH 10052349AA,WITH 10052349AB	20004304AA	PUNCHED WASHER A14 IS:2016	2		ADJUSTABLE ANCHOR CHAIN IMPLEMENTED FROM	MMGSV333460 G

Sr.	Model	Item Code	Description	Qty	Int.	Remarks	Cut Off
35	WITH 10052349AA,WITH 10052349AB	04030400014	SPRING WASHER B-14	2		ADJUSTABLE ANCHOR CHAIN IMPLEMENTED FROM	MMGSV333460 G
36	WITH 10052349AA,WITH 10052349AB	20003361AA	HEX NUT M14X2 -8 SA3NS	2		ADJUSTABLE ANCHOR CHAIN IMPLEMENTED FROM	MMGSV333460 G
16	ALL MODELS	20003223AB	HEX BOLT M10*1.5*90 8-8 SA3NS	8	YES		BMKSF538711G 26
13	SOLIS-20(8.3*20 TYRE), SOLIS-20(TRUF TYRE)	10054650AB	SHAFT LOWER LINK	1	YES	INTERCHANGE ABLE WITH 1005554AC (ROHS)	MEMBMKSF541 727G26
19	SOLIS-20	10051212AI	LOWER LINK ASSY	2	YES		MEMRMGSNSD JH02753
12	SOLIS-20	10053923AF	ADJUSTABLE LIFT ROD ASSY	2			
12	SOLIS-20	10053841AF	ADJUSTABLE LIFT ROD ASSY	2	YES	INTERCHANGE ABLE WITH 10055149AC (ROHS)	MEMRMGSNSD JH02753
19	SOLIS-20	300011311B	LOWER LINK ASSY	2	YES	INTERCHANGA BLE WITH 10051212AI & 10051212AF IN SOLIS-20	FOR NON EU MODELS- LMKSG805886G 26, FOR EU MODELS- MEMRMKSNLJ H03668
6	ALL MODELS	20005517AA	SPRING WASHER B-8 TYPE A IS: 3067-1972	2	YES		
8	ALL MODELS	300025225A	TOP LINK ASSY	1	YES		
11	ALL MODELS	10087923AA	LINCH PIN ASSY.(Ø7)	6	YES		
12	SOLIS-20	10055149AC	ADJUSTABLE LIFT ROD ASSY	2	YES		
18	ALL MODELS	10004256AB	LINCH PIN ASSY	4	YES		
31	ALL MODELS	20004915AB	HEX NYLOC NUT M6 8	1	YES		
33	WITH 10052349AA,WITH 10052349AB	20005495AA	HEX BOLT M14X2X50 SA4GS	2	YES		

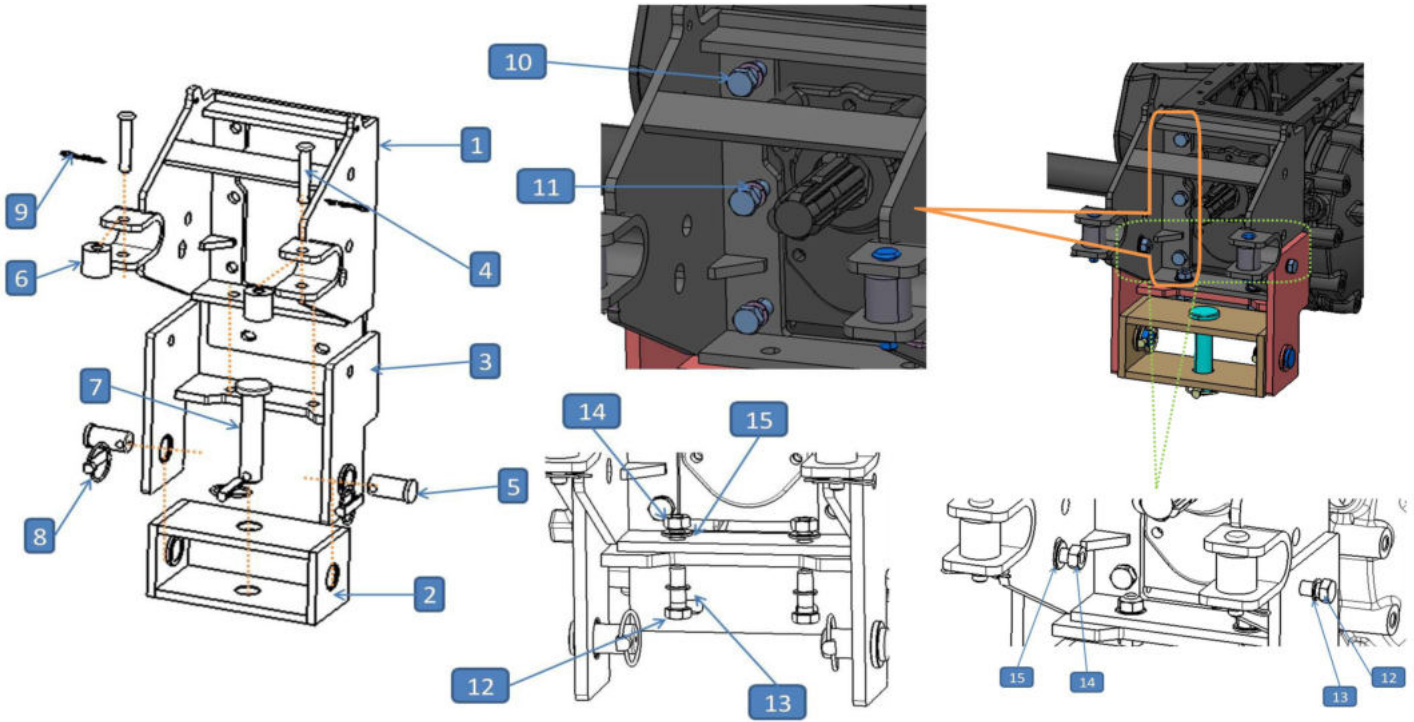
21112A-1-1**THREE POINT LINKAGES ASSY (MODIFIED).**

Sr.	Model	Item Code	Description	Qty	Int.	Remarks	Cut Off
1	SOLIS-20 MODELS	10055553AB	SHAFT LOWER LINK	1			
2	SOLIS-20(8.3*20 TYRE), SOLIS-20(TRUF TYRE)	10055554AC	Shaft Lower Link	1			
10	ALL MODELS	10055551AB	ADJUSTABLE ANCHOR CHAIN ASSY	2			
1	DI-20 GT (NEPAL), SOLIS- 20(EU, SOUTH AFRICA, FRANCE)	10054649AA	Shaft Lower Link	1			
2	SOLIS-20(8.3*20 TYRE), SOLIS-20(TRUF TYRE)	10054650AA	SHAFT LOWER LINK	1			
4	ALL MODELS	10054336BA	BUSH PLATE ASSY RH	1			
5	ALL MODELS	10054335BA	BUSH PLATE ASSY LH	1			
6	ALL MODELS	10054560AA	Additional Support for Lower Link Mounti	2			

Sr.	Model	Item Code	Description	Qty	Int.	Remarks	Cut Off
7	ALL MODELS	20003286AB	HEX SCREW M8X1.25X35 8-8 SA2JS	8		INTERCHANGEABLE WITH 20005566AA (ROHS)	
8	ALL MODELS	04030400008	SPRING WASHER B-8	8		INTERCHANGEABLE WITH 20005517AA (ROHS)	
9	ALL MODELS	04030800008	M/CD WASHER DIA 8.4 *DIA 17*1.6	8			
10	ALL MODELS	10054334AB	ADJUSTABLE ANCHOR CHAIN ASSY	2		INTERCHANGEABLE WITH 1005551AB (ROHS)	
1	SOLIS-20 MODELS	10054649AB	Shaft Lower Link	1	YES	INTERCHANGEABLE WITH 1005553AB (ROHS)	MEMGMGSF553036G
2	SOLIS-20 MODELS	10054650AB	SHAFT LOWER LINK	1		INTERCHANGEABLE WITH 10054650AA	MEMGMGSF554104G
2	SOLIS-20(8.3*20 TYRE), SOLIS-20(TRUF TYRE)	10054650AB	SHAFT LOWER LINK	1	YES	INTERCHANGEABLE WITH 1005554AC (ROHS)	MEMBMKSF541727G26
10A	SOLIS-20	300010577B	ADJUSTABLE ANCHOR CHAIN ASSY	2	YES		FOR NON EU MODELS- LMKSG805886G 26, FOR EU MODELS- MEMRMKSNLSJH03668
8	ALL MODELS	20005517AA	SPRING WASHER B-8 TYPE A IS: 3067-1972	8	YES		
7	SOLIS-20 EU FACELIFT (POWER STG.)	20005567AA	HEX SCREW M8X1.25X35 8.8 SA4GS	8			

21120A-1/1

REAR TOE HOOK ASSY.

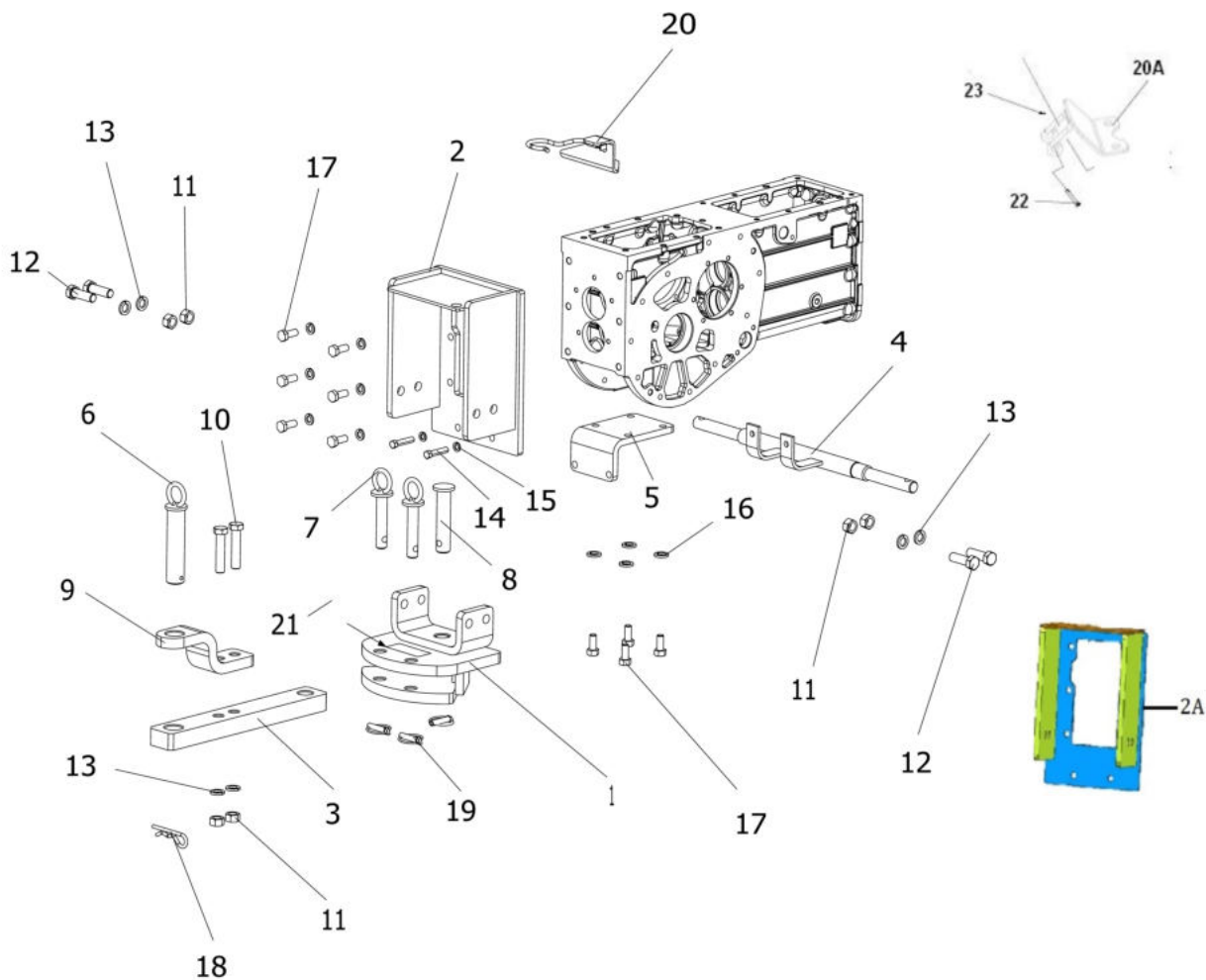


Sr.	Model	Item Code	Description	Qty	Int.	Remarks	Cut Off
10	ALL MODELS	20005682AA	HEX SCREW M12X1.75X25 -10.9 SA4GS	6			
14	ALL MODELS	20005502AA	HEX NUT M12X1.75 -8 SA4GS	4			
14	ALL MODELS	20003358AE	HEX NUT M12X1.75 -8 SA4GS	4	YES	INTERCHANGE WITH 20003358AA	FOR NON EU MODELS-DXKSS873355B FOR EU MODELS-MEMRMKSNSD KH07283
15	ALL MODELS	04030800012	M CD WASHER DIA 13 *DIA 24*2.5	4		INTERCHANGEABLE WITH 20004940AB (ROHS)	
1	SOLIS-20	10052870AB	MTG BKT FOR REAR TOE HOOK	1			

Sr.	Model	Item Code	Description	Qty	Int.	Remarks	Cut Off
6	ALL MODELS	10051272AA	BUSH FOR REAR TOE HOOK	2			
12	ALL MODELS	20003244AA	Hex screw M12x1.75x35 8-8 SA3NS	4		INTERCHANGEABLE WITH 20003244AB (ROHS)	
1	ALL MODELS EXCEPT SOLIS-20	10051265AF	MOUNTING BRACKET FOR REAR TOE HOOK	1			
1	DI-20 GT	10051265AG	MOUNTING BRACKET FOR REAR TOE HOOK	1	YES		
2	ALL MODELS	10051268AB	REAR TOW HOOK	1			
3	ALL MODELS	10051269AB	REAR BKT FOR GARDEN TRAC	1			
4	ALL MODELS	10051270AA	PIN FOR BUSH REAR TOE HOOK	2			
5	ALL MODELS	10051267AA	PIN FOR REAR TOE HOOK	3			
6	ALL MODELS	10051272AB	BUSH FOR REAR TOE HOOK	2	YES		DMGSD310586G
7	ALL MODELS	10051594AA	CENTRE PIN REAR TOE HOOK	1			
8	ALL MODELS	10080109AB	LINCH PIN ASSY.(Ø7)	3		INTERCHANGEABLE WITH 10087923AA (ROHS)	
9	ALL MODELS	20002461AA	BEATA PIN	2		INTERCHANGEABLE WITH 10087903AA (ROHS)	
10	ALL MODELS	20002021AA	HEX HEAD SCREW M12 x1.75x25 10.9 SA2JS	6		INTERCHANGEABLE WITH 20005557AA (ROHS)	
11	ALL MODELS	04030400012	SPRING WASHER B-12	6			
12	ALL MODELS	20003244AB	Hex screw M12x1.75x35 8-8 SA3NS	4	YES		
13	ALL MODELS	04030400012	SPRING WASHER B-12	4			
14	ALL MODELS	20003358AA	HEX NUT M12X1.75 -8 SA2JS	4		INTERCHANGEABLE WITH 20005502AA (ROHS)	
10	ALL MODELS	20002021AC	HEX. HEAD SCREW M12X1.75X25	6	YES	INTERCHANGEABLE WITH 20005682AA (ROHS)	BMGSF536902G
4	ALL MODELS	10057672AA	PIN FOR BUSH FOR ACCLERATOR	2	YES		
8	ALL MODELS	10087923AA	LINCH PIN ASSY.(Ø7)	3	YES		
9	ALL MODELS	10087903AA	BEATA PIN	2	YES		
15	ALL MODELS	20004940AB	M/C WASHER DIA 13*DIA 24*2.5	4	YES		

21130A-1/1

SWINGING DRAW BAR



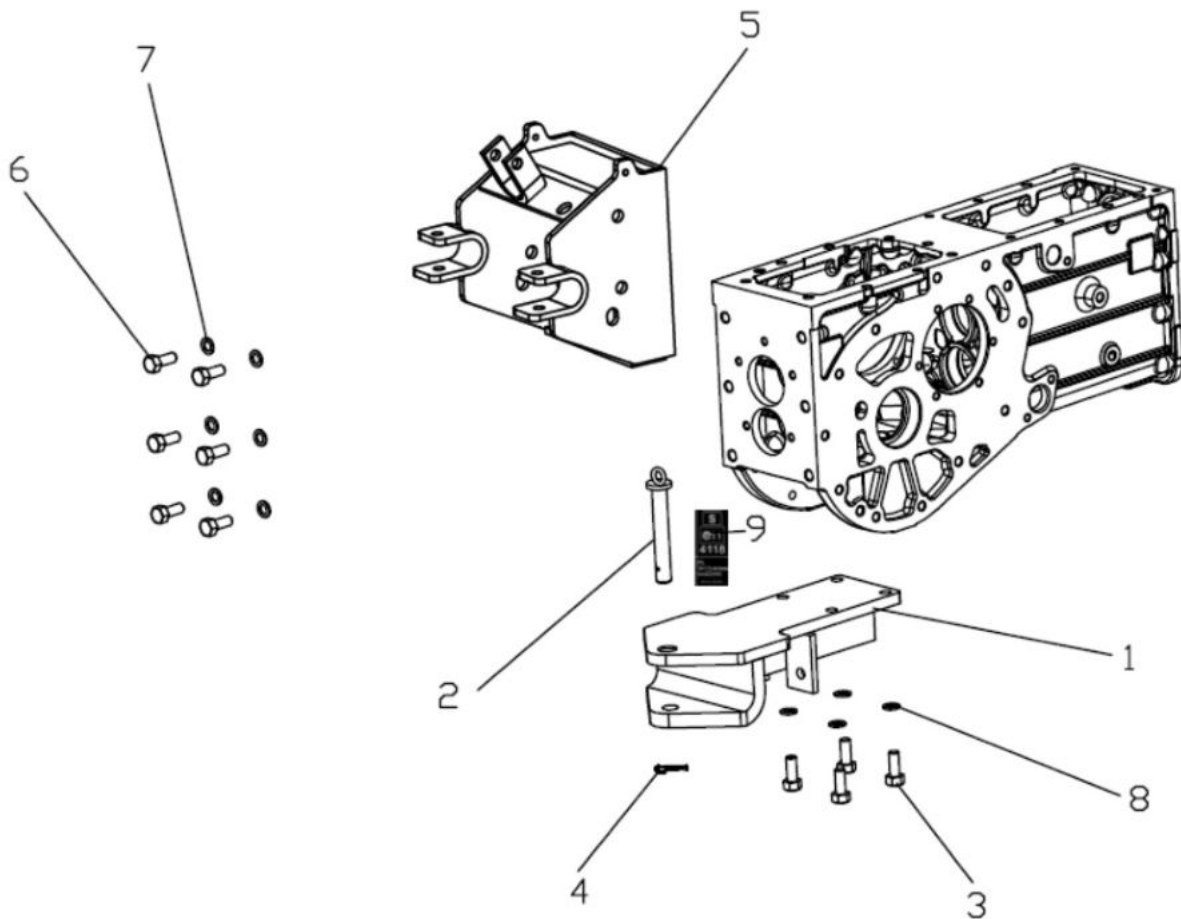
Sr.	Model	Item Code	Description	Qty	Int.	Remarks	Cut Off
6	SOLIS-20	10057669AA	PIN	1			
7	SOLIS-20	10057670AA	PIN	2			
20A	SOLIS-20 WITH 1DA	10056463AA	TOP-LINK HOLDER BKT	1	NO		MEMGMGSF554 104G
22	SOLIS-20 WITH 1DA	10051270AA	BUSH PIN FOR REAR TOE HOOK	1		NEW PART ADDED WITH 10056463AA FROM	MEMGMGSF554 104G
23	SOLIS-20 WITH 1DA	20002461AA	BEATA PUN	1		NEW PART ADDED WITH 10056463AA FROM	MEMGMGSF554 104G
1	SOLIS-20	10054148AA	SWINGING DRAW BAR	1			

Sr.	Model	Item Code	Description	Qty	Int.	Remarks	Cut Off
2	SOLIS-20 EXCEPT FACELIFT	10054147AA	TOE HOOK MTG BKT	1			
3	SOLIS-20	10054149AA	SWINGING BAR	1			
4	SOLIS-20	10054156AA	SHAFT LOWER LINK	1			
5	SOLIS-20	10054150AA	SUPPORTING BACK PLATE	1			
6	SOLIS-20	10054151AA	PIN(DIA32.5)	1			
7	SOLIS-20	10054152AA	PIN(DIA19.5)	2			
8	SOLIS-20	10054153AA	PIN(DIA25.5)	1			
9	SOLIS-20	10029055AA	TOP SUPPORT DRAW BAR	1			
10	SOLIS-20	04040716075	HEX BOLT M16*2*75	2			
11	SOLIS-20	20003362AC	HEX NUT M16X2 - 8 SA2JS	6		INTERCHANGEABLE WITH 20005493AA (ROHS)	
12	SOLIS-20	04040116050	HEX BOLT M16*2*50	4			
13	SOLIS-20	04030400016	SPRING WASHER B-16	6		INTERCHANGEABLE WITH 20004994AB (ROHS)	
14	SOLIS-20	20004578AA	HEX SCREW M10*1.5*45	2		INTERCHANGEABLE WITH 200000368A (ROHS)	
15	SOLIS-20	04030400010	SPRING WASHER B-10	2			
16	SOLIS-20	04030400012	SPRING WASHER B-12	4			
17	SOLIS-20	20003243AB	Hex screw M12x1.75x30 8-8 SA3NS	10			
18	SOLIS-20	20004468AA	BETA PIN	1		INTERCHANGEABLE WITH 10039237AA (ROHS)	
19	SOLIS-20	10004900AA	LINCH PIN	3		INTERCHANGEABLE WITH 10087916AA (ROHS)	
20	SOLIS-20	10053956AB	TOP-LINK HOLDER ASSY	1			
21	SOLIS-20	10054371AA	SWINGING DRAW BAR (E-MARK STICKER)	1			
2A	SOLIS-20 FACELIFT	300026159A	TOE HOOK MTG BKT	1			
8	SOLIS-20	300028106B	FRONT TOE PIN	1	YES		
11	SOLIS-20	20003719AB	HEX NUT M16X2 - 8, SA2GS	6	YES		
13	SOLIS-20	20004994AB	SPRING WASHER B-16 TYPE-A IS: 3063-1972	6	YES		
17	SOLIS-20	200000502A	HEX SCREW M12X1.75X30 8.8 SA4GS	10	YES		
18	SOLIS-20	10039237AA	BETA PIN DIA 6	1	YES		
19	SOLIS-20	10004900AB	LINCH PIN	3	YES		
22	SOLIS-20 WITH 1DA	10057672AA	PIN FOR BUSH FOR ACCLERATOR	1	YES		

Sr.	Model	Item Code	Description	Qty	Int.	Remarks	Cut Off
23	SOLIS-20 WITH 1DA	10087903AA	BEATA PIN	1	YES		
4	SOLIS-20 EU FACELIFT (POWER STG.)	10054650AB	SHAFT LOWER LINK	1			
10	SOLIS-20 EU FACELIFT (POWER STG.)	20004193AA	HEX BOLT M16X2X75 10.9 SA3NS	2			
11	SOLIS-20 EU FACELIFT (POWER STG.)	20005493AA	HEX NUT M16X2 -8 SA4GS	6			
12	SOLIS-20 EU FACELIFT (POWER STG.)	20004094AD	HEX BOLT M16X2X50 8.8 SA4GS	4			
14	SOLIS-20 EU FACELIFT (POWER STG.)	200000368A	HEX HEAD SCREW M10X1.5X45	2			
19	SOLIS-20 EU FACELIFT (POWER STG.)	10087923AA	LINCH PIN ASSY.(A~7)	3			
21	SOLIS-20 EU FACELIFT (POWER STG.)	10054148AA	SWINGING DRAW BAR	1			

21140A-1/1

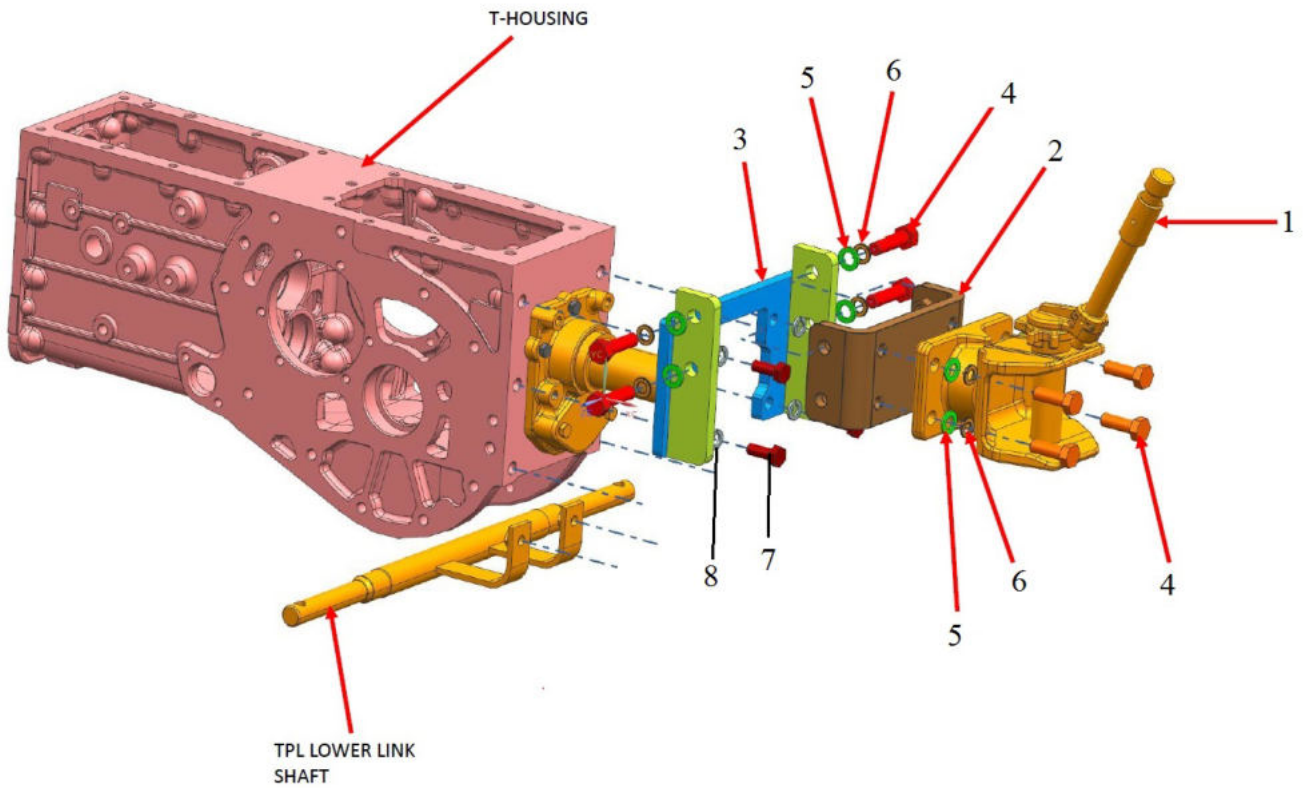
CLEVIS TYPE HITCH



Sr.	Model	Item Code	Description	Qty	Int.	Remarks	Cut Off
1	ALL MODELS	10053618AB	CLEVIS TYPE HITCH (E-MARK)	1			
2	ALL MODELS	10053645AA	PIN	1			
3	ALL MODELS	20003243AB	HEX SCREW M12*1.75*30	4			
4	ALL MODELS	10070820AA	BETA PIN DIA 3 BN 915	1			
5	ALL MODELS	10052870BB	MTG BKT FOR REAR TOE HOOK	1			
6	ALL MODELS	20003241AB	HEX SCREW M12*1.75*20	6			
7	ALL MODELS	04030400012	SPRING WASHER B-12	6			
8	ALL MODELS	04030400012	SPRING WASHER B-12	4			

Sr.	Model	Item Code	Description	Qty	Int.	Remarks	Cut Off
9	ALL MODELS	10054370AA	CLEVIS TYPE HITCH(E-MARK STICKER)	1			
2	ALL MODELS	10055144AB	PIN	1	YES		
3	ALL MODELS	200000502A	HEX SCREW M12X1.75X30 8.8 SA4GS	4	YES		
4	ALL MODELS	10087902AA	BEATA PIN	1	YES		

CLEVIS TRAILER HITCH ASSY

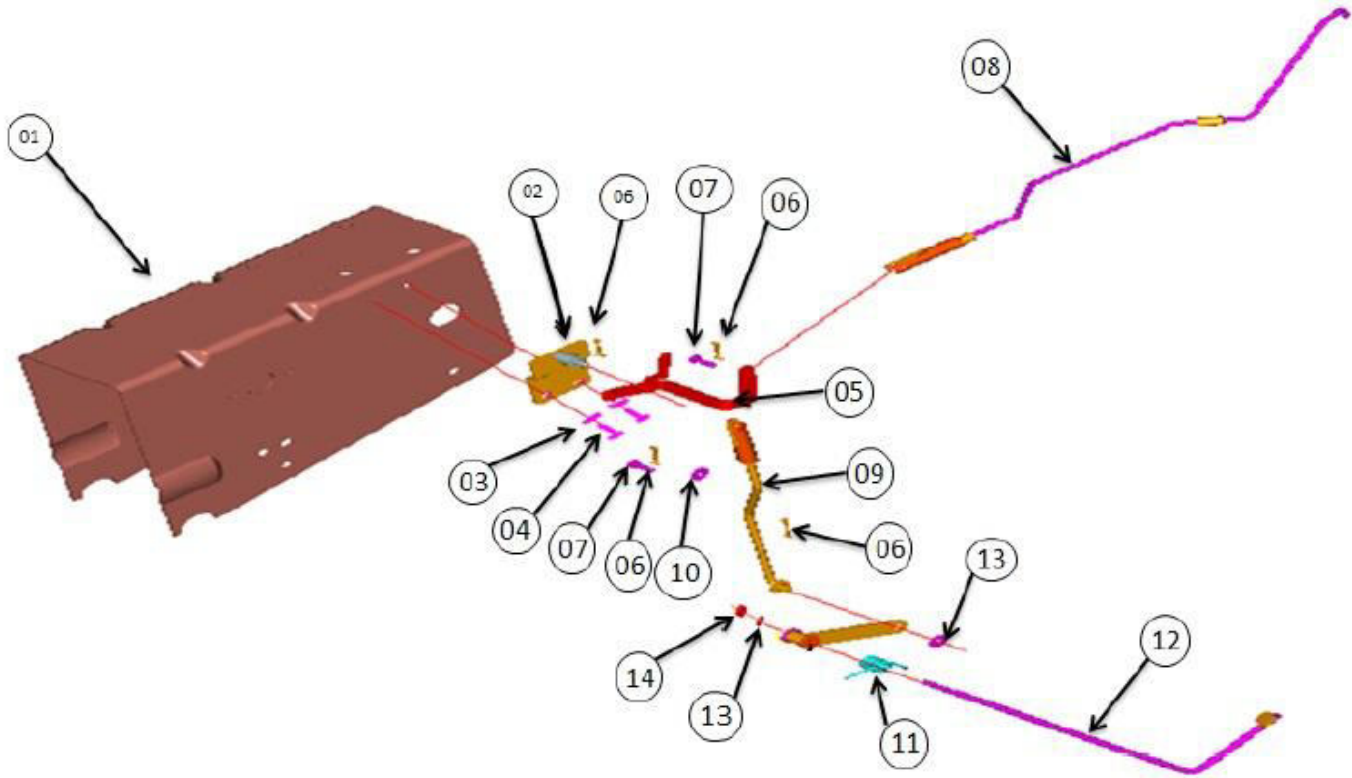


Sr.	Model	Item Code	Description	Qty	Int.	Remarks	Cut Off
5	SOLIS-20	20005512AA	PUNCHED WASHER A14 IS:2016	8			
6	SOLIS-20	20005520AA	SPRING WASHER B-14 TYPE A IS: 3067-1972	8			
1	SOLIS-20	300005471B	CLEVIS TRAILER HITCH	1			
2	SOLIS-20	300011392A	CLEVIS TRAILER HITCH MTG BKT ASSY	1			
3	SOLIS-20	300011401A	MTG BKT FOR CLEVIS TRAILER HITCH	1			
4	SOLIS-20	04041114040	HEX SCREW M14*40	8			
5	SOLIS-20	20004304AA	PUNCHED WASHER A14 IS:2016	8		INTERCHANGEABLE WITH 20005512AA (ROHS)	

Sr.	Model	Item Code	Description	Qty	Int.	Remarks	Cut Off
6	SOLIS-20	04030400014	SPRING WASHER B-14	8		INTERCHANGEABLE WITH 20005520AA (ROHS)	
7	SOLIS-20	20003243AB	HEX SCREW M12X1.75X30	4			
8	SOLIS-20	04030400012	SPRING WASHER B-12	4			
7	SOLIS-20	200000502A	HEX SCREW M12X1.75X30 8.8 SA4GS	4	YES		

22110A-1/1

FOOT ACCELERATOR & LINKAGES ASSY.



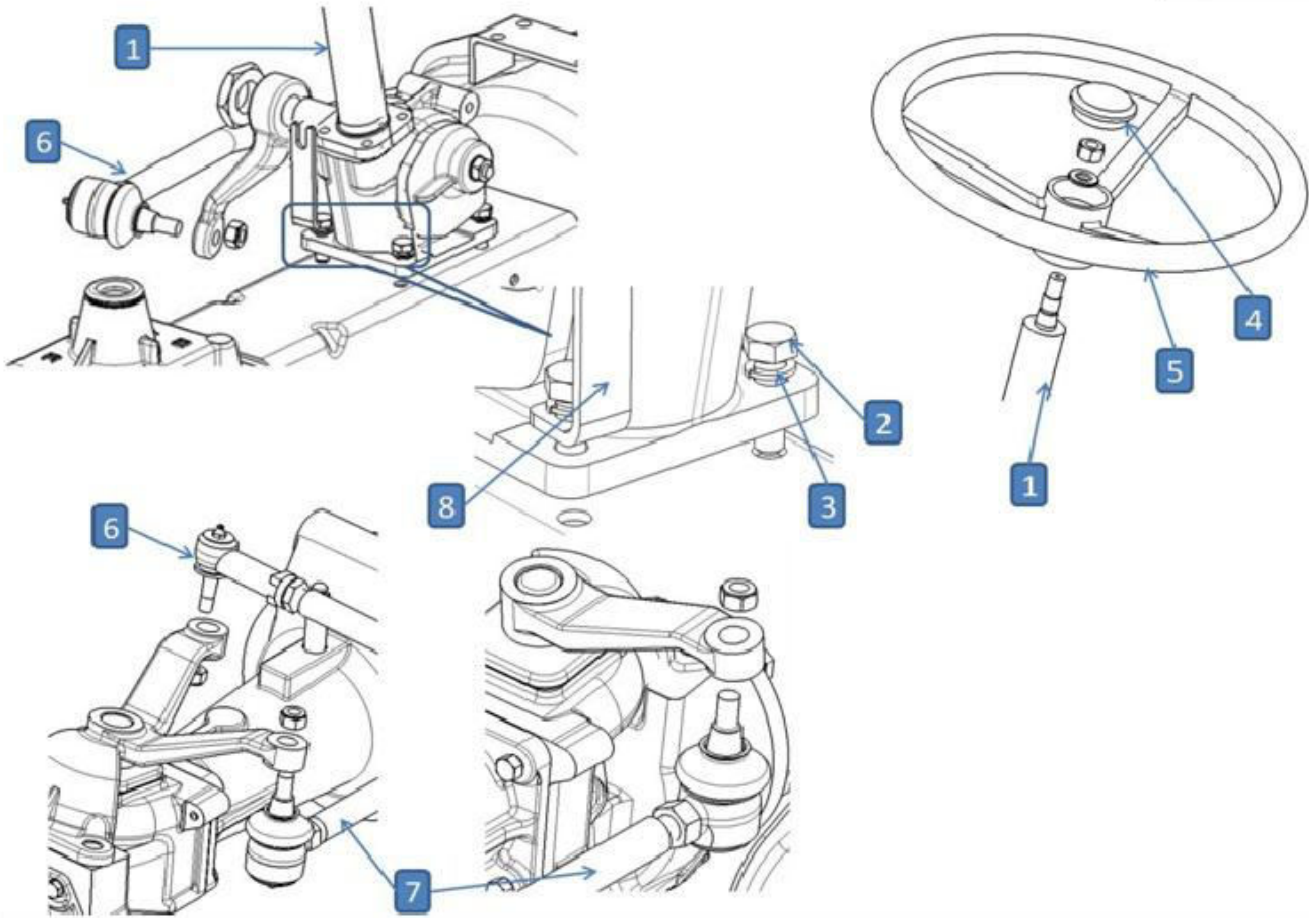
Sr.	Model	Item Code	Description	Qty	Int.	Remarks	Cut Off
5	DI-20 GT WITH 1SA (NEPAL,MEXICO),SOLIS 20	10051394BB	BRACKET FOR ACTUATING THROTTLE	1			
6	ALL MODELS	20005527AA	SPLIT PIN DIA 1.6*20	4			
7	ALL MODELS	300031308A	PIN FOR ACCELRACTOR	2			
8	ALL MODELS	10051578AD	ACCELERATOR LINK FRONT	1			
9	ALL MODELS	10051106BD	PUSH ROD (FOOT THROTTLE TO MIDDLE LINK)	1			
1	SOLIS-20 TURF TYRES & INDUSTRIAL TYRES MODELS	10055992AD	CLUTCH HOUSING ASSY.	1			
12	DI-20 GT WITH 1SA (NEPAL,MEXICO),SOLIS 20	10051079AJ	FOOT THROTTLE ASSY.	1			

Sr.	Model	Item Code	Description	Qty	Int.	Remarks	Cut Off
14	ALL MODELS	20004917AB	HEX NYLOC NUT M8*1.25 8	1			
1	ALL MODELS	10051198AP	CLUTCH HOUSING	01	YES		BMGSV325188G
5	DI-20 GT WITH 1SA (NEPAL,MEXICO),SOLIS 20	10051394BA	BRACKET FOR ACTUATING THROTTLE	1	NO	INTERCHANGEABLE WITH 10051394BB (ROHS)	DMGSU522355G
12	DI-20 GT WITH 1SA (NEPAL,MEXICO),SOLIS 20	10051079AF	FOOT THROTTLE ASSY.	01	YES	INTERCHANGEABLE WITH 10051079AJ (ROHS)	DMGSU522355G
1	ALL MODELS	10051198AS	CLUTCH HOUSING	1	YES		KMGSE455971G
1	SOLIS-20 TURF TYRES & INDUSTRIAL TYRES MODELS	10055992AA	CLUTCH HOUSING ASSY.	1	YES		MEMBMGST609624G
1A	SOLIS-20 TURF TYRES & INDUSTRIAL TYRES MODELS	10053105BA	CLUTCH HOUSING	1	NO	PART MODIFIED FROM 10053105AA	MEMBMGST609624G
1B	SOLIS-20 TURF TYRES & INDUSTRIAL TYRES MODELS	10055984AA	BUSH	2		BUSH ADDED IN CLUTCH HOUSING 10053105BA FROM	MEMBMGST609624G
9	ALL MODELS	10051106BC	PUSH ROD (FOOT THROTTLE TO MIDDLE LINK)	01	YES	INTERCHANGEABLE WITH 10051106BD (ROHS)	MEMGMGST638051G
1	ALL MODELS	10051198AJ	CLUTCH HOUSING	01			
1	ALL MODELS	10051198AL	CLUTCH HOUSING	01	NO		FMGSD289076G
1	ALL MODELS	10051198AM	CLUTCH HOUSING	01	YES		JMGSD301180G
1	ALL MODELS	10051198AT	CLUTCH HOUSING	1			
1	ALL MODELS	10051198AU	CLUTCH HOUSING	1	YES		FMGSU492814G
1	SOLIS-20 TURF TYRES & INDUSTRIAL TYRES MODELS	10053105AA	CLUTCH HOUSING	1			
1	ALL MODELS	10051198AI	CLUTCH HOUSING	01			
2	ALL MODELS	10051395AB	MOUNTING BKT FOR ACTUATOR LINK	01			
3	ALL MODELS	04030600008	plain washer DIA 8.4 *DIA 17*1.6	02			
4	ALL MODELS	20003520AA	HEX FLANGE SCREW M8*1.25*25-8.8 SA2JS	2		INTERCHANGEABLE WITH 20005539AA (ROHS)	
5	ALL MODELS	10051394AB	BRACKET FOR ACTUATING THROTTLE	01			
6	ALL MODELS	04010116020	SPLIT PIN DIA 1.6X20	04		INTERCHANGEABLE WITH 20005527AA (ROHS)	
7	ALL MODELS	10004164AB	PIN FOR ACCLERATOR	02		INTERCHANGEABLE WITH 300031308A (ROHS)	
8	ALL MODELS	10051578AC	ACCELERATOR LINK FRONT	01		INTERCHANGEABLE WITH 10051578AD	

Sr.	Model	Item Code	Description	Qty	Int.	Remarks	Cut Off
						(ROHS)	
9	ALL MODELS	10051106BB	PUSH ROD (FOOT THROTTLE TO MIDDLE LINK)	01			
10	ALL MODELS	04030600006	PLAIN WASHER DIA 6.4X18X1.5	01			
11	ALL MODELS	10051248AA	SPRING FOR FOOT THROTTLE	01		INTERCHANGEABLE WITH 10051248AD (ROHS)	
12	ALL MODELS	10051079AE	FOOT THROTTLE ASSY.	01			
13	ALL MODELS	04030800008	M CD WASHER DIA 8.4X17X1.6	02			
14	ALL MODELS	04041000008	HEX NYLON NUT M8X1.25-8SA2GS	01		INTERCHANGEABLE WITH 20004917AB (ROHS)	
1	SOLIS-20 TURF TYRES & INDUSTRIAL TYRES MODELS	10055992AC	CLUTCH HOUSING ASSY.	1	YES	INTERCHANGEABLE WITH 10055992AD (ROHS)	FOR NON EU MODELS-AMGSS837351G, FOR EU MODELS-MEMRMGSNSA KH04915
11	ALL MODELS	10051248AD	SPRING FOR FOOT THROTTLE	1	YES		
4	SOLIS-20 EU FACELIFT (POWER STG.)	20005543AA	HEX FLANGE SCREW M8*1.25*25 -8.8 SA4GS	2			

23110A-1/1

STEERING ASSY.

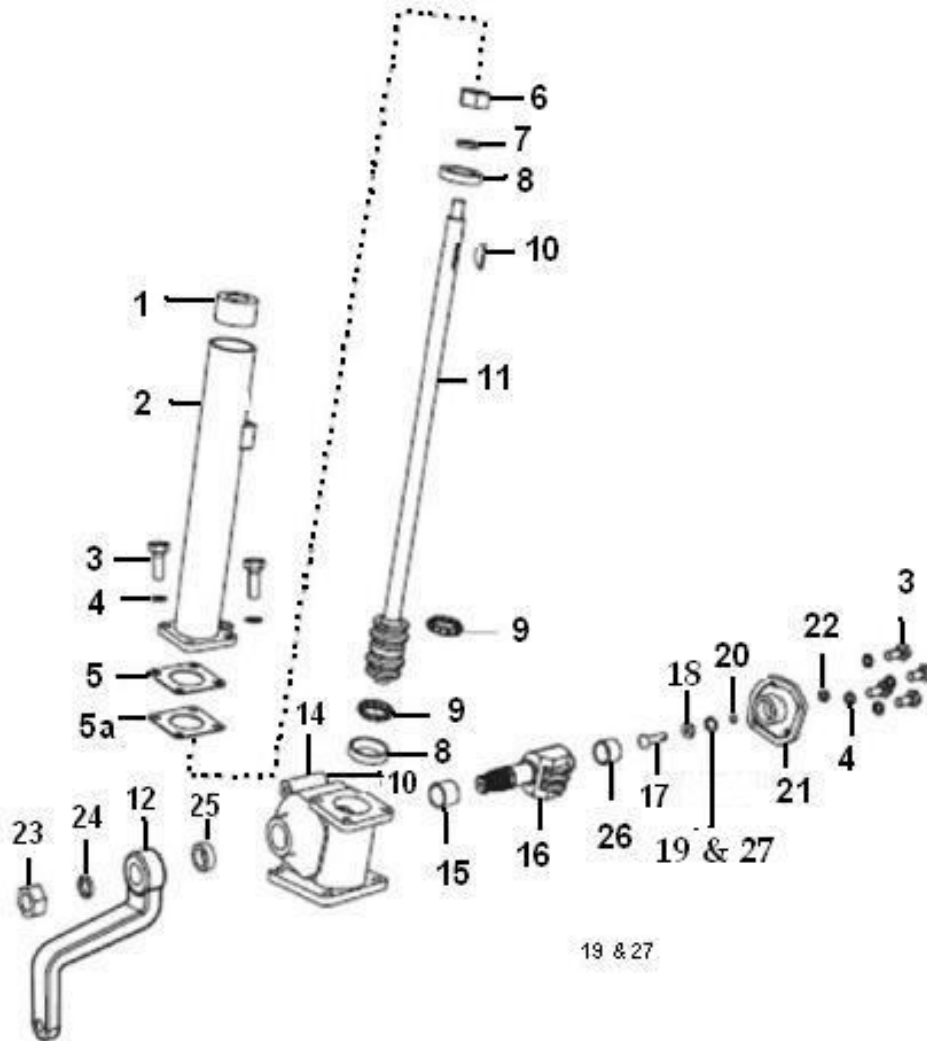


Sr.	Model	Item Code	Description	Qty	Int.	Remarks	Cut Off
7	ALL MODELS	300126674A	DRAG LINK ASSY (CROSS)	1			
6	ALL MODELS	10051428BB	DRAG LINK ASSY(LH)	1	YES		MMGSV333460 G
4	SOLIS-20	10009194AD	STEERING WHEEL CAP	1			
4	SOLIS-20	10053737AA	STEERING WHEEL CAP	1	YES		MEMBMGSF535 738G
9	ALL MODELS	10053435AA	TIE ROD END LT (EXTERNAL THREAD) GT	1		NOT SHOWN, CHILD PART OF 10051428BA	
10	ALL MODELS	10053436AA	TIE ROD END RT (INTERNAL THREAD) GT	1		NOT SHOWN, CHILD PART OF 10051428BA	

Sr.	Model	Item Code	Description	Qty	Int.	Remarks	Cut Off
1	ALL MODELS	10051392AC	STEERING COLOUMN ASSY.	1			
2	ALL MODELS	20002016AB	HEX HEAD SCREW M10 x 1.5 x 30 8-8 SA2JS	4		INTERCHANGEABLE WITH 20005562AA (ROHS)	
3	ALL MODELS	04030400010	SPRING WASHER B-10	4			
4	ALL MODELS	10009194AC	STEERING WHEEL CAP	1		APN 10053737AB	
5	ALL MODELS	10051393AA	STEERING WHEEL	1			
6	ALL MODELS	10051428BA	DRAG LINK ASSY(LH)	1			
7	ALL MODELS	10051045AA	DRAG LINK ASSY(RH)	1		INTERCHANGEABLE WITH 300126674A (ROHS)	
8	ALL MODELS	10051602AB	PULL TO STOP CABLE MTG. BKT. (STEERING)	1			
1	ALL MODELS	10053244AA	STEERING COLUMN ASSY. (RANE)	1	NO		EMGSV357126G
8	ALL MODELS	10053241AA	PULL TO STOP CABLE	1	NO		EMGSV357126G
4	ALL MODELS	10009194AD	STEERING WHEEL CAP	1	YES		HZCSV355480S3
7	ALL MODELS	10051045AD	DRAG LINK ASSY (RIGHT)	1	YES	INTERCHANGEABLE WITH 300126674A (ROHS)	FOR NON EU MODELS- MMGSS830552G, FOR EU MODELS- MEMRMGSNSA KH04485

23120A-1/1

STEERING ASSY.-RANE



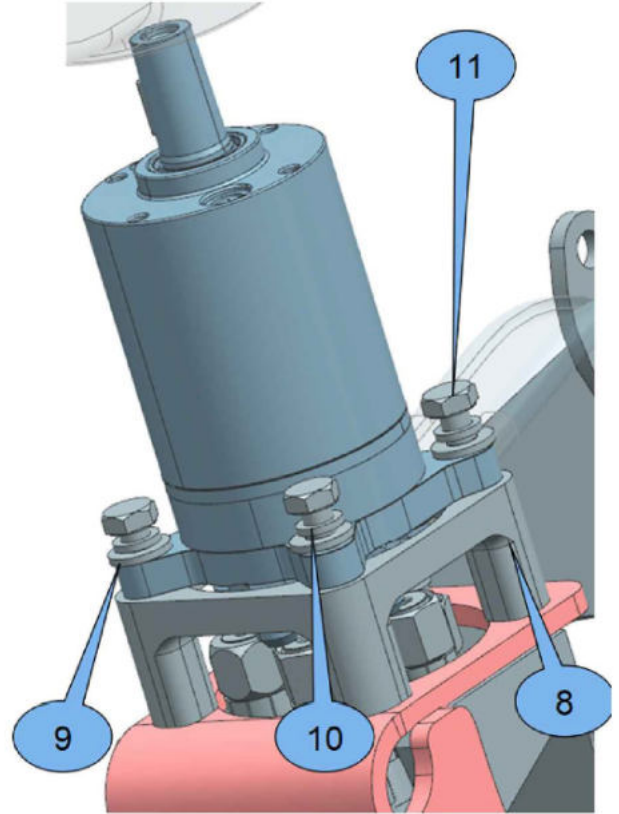
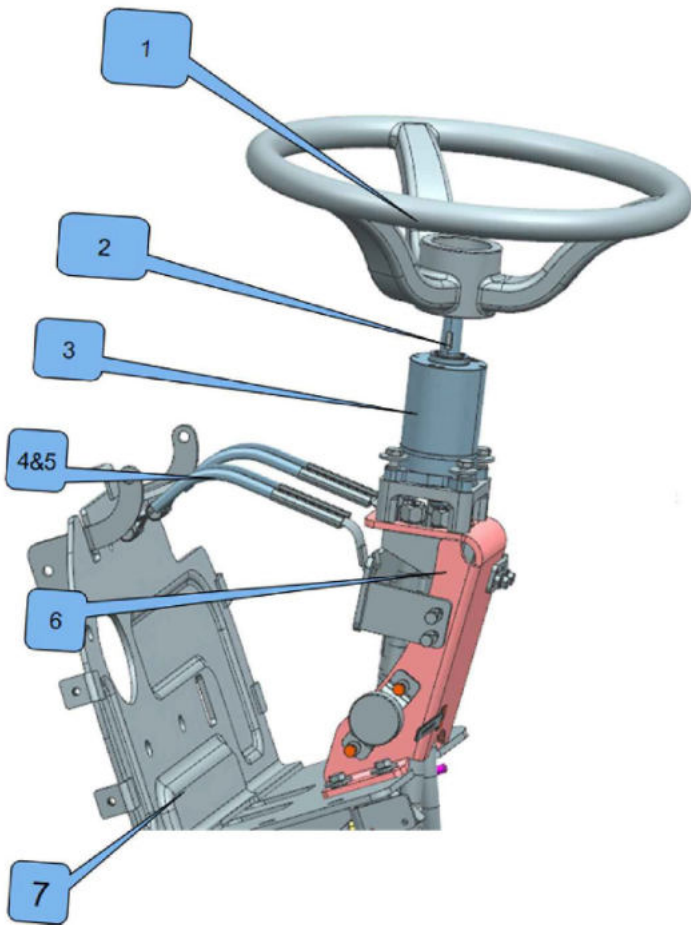
Sr.	Model	Item Code	Description	Qty	Int.	Remarks	Cut Off
4	ALL MODELS	10012590AA	BOLT (M8*1.25*30mm LONG) 3010028901	4		CHILD PART OF 10053244AA	
A	ALL MODELS	10053244AA	STEERING GEAR ASSY - ITL GARDEN TRAC 135800071	1			
1	ALL MODELS	10012587AA	RUBBER BUSH 332203691	1		CHILD PART OF 10053244AA	
2	ALL MODELS	10012588AA	OUTER COLUMN ASSY black painted -ITL 230730191	1		CHILD PART OF 10053244AA	
3	ALL MODELS	10012589AA	SPRING WASHER M8 SW312 3021001901	8		CHILD PART OF 10053244AA	
5	ALL MODELS	10012591AA	SHIM 3327314901	4		CHILD PART OF 10053244AA	

Sr.	Model	Item Code	Description	Qty	Int.	Remarks	Cut Off
5A	ALL MODELS	10012592AA	SHIM 332731690	5		CHILD PART OF 10053244AA	
5B	ALL MODELS	10012593AA	SHIM 332731390	4		CHILD PART OF 10053244AA	
6	ALL MODELS	10012594AA	LOCK NUT 3002124901	1		CHILD PART OF 10053244AA	
7	ALL MODELS	10012595AA	OIL SEAL 3017003901	1		CHILD PART OF 10053244AA	
8	ALL MODELS	10012596AA	BEARING 6304 3315705901	1		CHILD PART OF 10053244AA	
9	ALL MODELS	10012597AA	TATA ACE BALL BEARING 6303 3315704901	1		CHILD PART OF 10053244AA	
10	ALL MODELS	10012598AA	OIL PLUG PLATED 3317021901	1		CHILD PART OF 10053244AA	
11	ALL MODELS	10012600AA	ICMN Assembly - ITL Sonalika_Garden trac 237824291	1		CHILD PART OF 10053244AA	
12	ALL MODELS	10012601AA	Drop Arm - Machined 331224091	1		CHILD PART OF 10053244AA	
14	ALL MODELS	10012602AA	Box Sub Assembly 230124491	1		CHILD PART OF 10053244AA	
15	ALL MODELS	10012603AA	CINTERED BUSH 3318214901	1		CHILD PART OF 10053244AA	
16	ALL MODELS	10012604AA	Rocker Shaft - Sub Assembly 230522691	1		CHILD PART OF 10053244AA	
17	ALL MODELS	10012605AA	ADJUSTER - VST 3311025901	1		CHILD PART OF 10053244AA	
18	ALL MODELS	10012606AA	SPACER ROCKER SHAFT (W R) 3316006901	1		CHILD PART OF 10053244AA	
19	ALL MODELS	10012607AA	SHIM (0.008) R S - ETL 3327211901	2		CHILD PART OF 10053244AA	
20	ALL MODELS	10012608AA	INT.CIRCLIP 3025001901	1		CHILD PART OF 10053244AA	
21	ALL MODELS	10012609AA	COVER PLATE SUB ASSEMBLY 230922191	1		CHILD PART OF 10053244AA	
22	ALL MODELS	10012610AA	LOCK NUT (ADJUSTER) W R(ETL ADJUSTER NUT 3002002901	1		CHILD PART OF 10053244AA	
23	ALL MODELS	10012611AA	LOCK NUT 3002047901	1		CHILD PART OF 10053244AA	
24	ALL MODELS	10012612AA	SP.WASHER 3021008901	1		CHILD PART OF 10053244AA	
25	ALL MODELS	10012613AA	DUST SEAL 3331018901	1		CHILD PART OF 10053244AA	
26	ALL MODELS	10012614AA	BUSH 3318216901	1		CHILD PART OF 10053244AA	

Sr.	Model	Item Code	Description	Qty	Int.	Remarks	Cut Off
27	ALL MODELS	10012615AA	SHIM (0.003) R S 3327214901	2		CHILD PART OF 10053244AA	
29	ALL MODELS	10012616AA	BOLT 3010041901	4		NOT SHOWN, CHILD PART OF 10053244AA	

23130A-1/1

POWER STEERING COLUMN

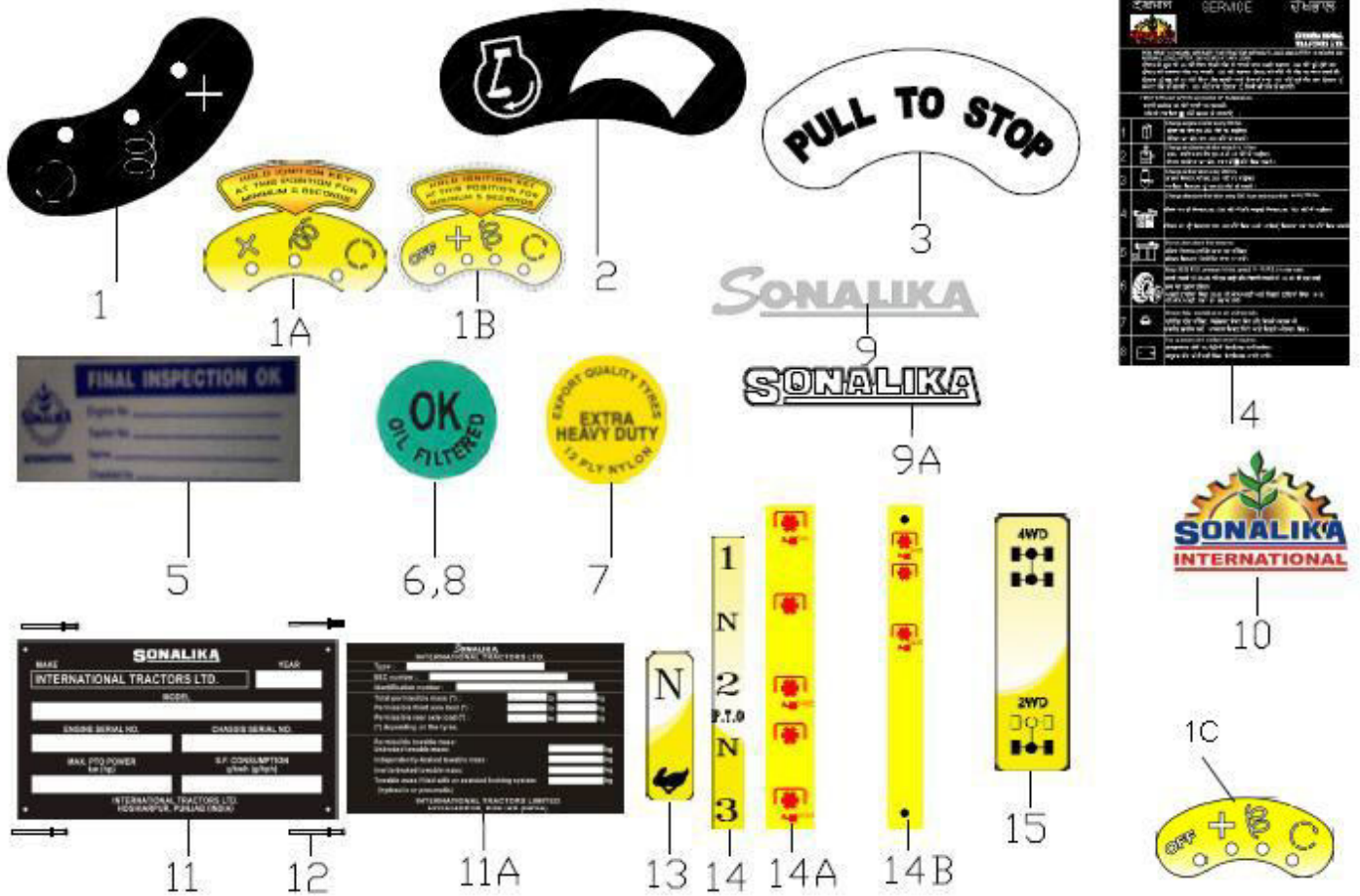


Sr.	Model	Item Code	Description	Qty	Int.	Remarks	Cut Off
1	ALL MODELS	10053125AD	STEERING WHEEL	1			
2	ALL MODELS	10053083AA	WOODRUF KEY	1			
3	ALL MODELS	10052960AE	STEERING UNIT 40CC	1			
4	ALL MODELS	10057518AC	STRAP ASSY	2			
5	ALL MODELS	300027774A	FUEL TANK STRAP RUBBER	2			
6	ALL MODELS	10053305AE	STEERING UNIT MOUNTING BRACKET	1			
7	ALL MODELS	300171699B	FUEL TANK FRAME ASSY	1			
8	ALL MODELS	300188383A	STEERING MTG SPACER	1			

Sr.	Model	Item Code	Description	Qty	Int.	Remarks	Cut Off
9	ALL MODELS	04030600008	PLAIN WASHER DIA 8.4 *DIA 17*1.6	4			
10	ALL MODELS	04030400008	SPRING WASHER B-8	4			
11	ALL MODELS	20005608AA	HEX HEAD BOLT M8X1.25X60_8.8 SA4GS	4			

24110A-1/2

VARIOUS STICKER'S



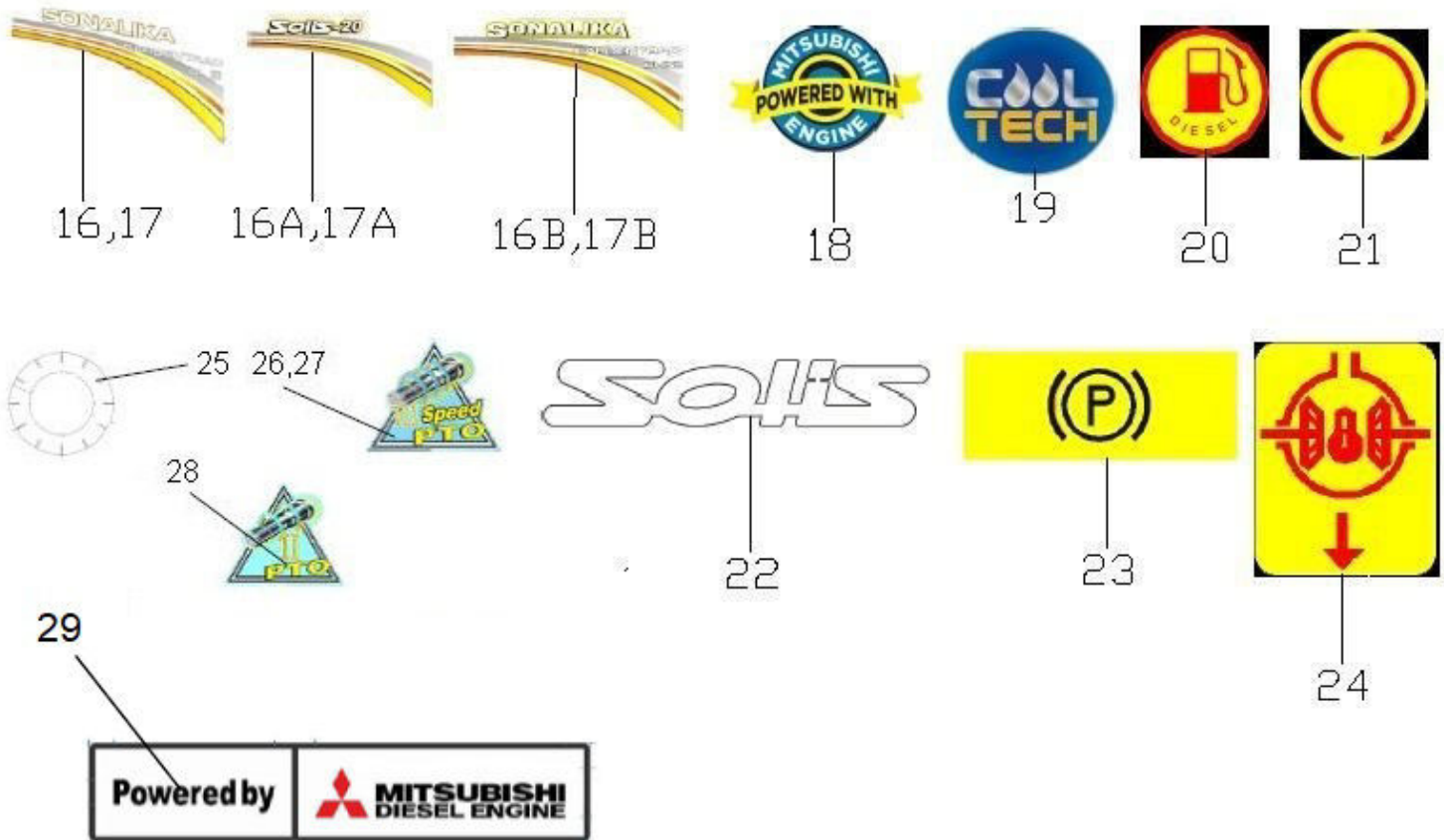
Sr.	Model	Item Code	Description	Qty	Int.	Remarks	Cut Off
4	ALL MODELS	10001847AE	STICKER FOR SERVICE (INHOUSE ENGINE)	1			
5	ALL MODELS	10004729AB	STICKER(FINAL INSPECTION)	2			
6	ALL MODELS	10004899AB	STICKER OK FILTERED (FOR DRAIN PLUG)	1			
7	DI-20 GT	10005010AC	STICKER EXTRA HEAVY	2			
8	ALL MODELS	10002428AB	STICKER OK FILTER	1			
2	ALL MODELS	10024815AC	STICKER FOR SPEED CONTROL	1			
12	DI-20 GT	10004896AB	SPECIAL RIVET SMALL	4			
11	DI-20 GT EXCEPT ADDC OPTION	10054633AA	DATA PLATE	1	NO		AMGSF549244G
3	ALL MODELS	10024812AA	STICKER(PULL TO STOP)	1			

Sr.	Model	Item Code	Description	Qty	Int.	Remarks	Cut Off
1C	ALL MODELS	10052373AC	STICKER FOR STARTING CONTROLS	1	YES		BMGSU469622G
11A	SOLIS-20	10053124AA	DATA PLATE 0.3THK	1		PASTING PLATE	
12	ALL MODELS	10000636AA	RIVET DIA 3 (POP)	4		DELETED WITH 10054633AA FROM	AMGSF549244G
11A	SOLIS-20	10056341AA	DATA PLATE	1	NO		MEMFMGSF560880G
12	SOLIS-20	10000636AA	RIVET DIA 3 (POP)	4		ADDED WITH 10056341AA FROM	MEMFMGSF560880G
18	SOLIS-20	10054162AA	STAR WASHER DIA4	1		WITH 10052373AC FROM	BMGSU469622G
9A	DI-20 GT	10083528AA	SONALIKA PLATE	1	NO	INTERCHANGEABLE WITH 10083529AC (ROHS)	FMGSE418938G
1A	ALL MODELS	10052373AA	STICKER FOR STARTING CONTROLS	1			
1B	ALL MODELS	10052373AB	STICKER FOR STARTING CONTROLS	1	YES		CMGSV381805G
2	ALL MODELS	10024815AA	STICKER FOR SPEED CONTROL	1		INTERCHANGEABLE WITH 10024815AC (ROHS)	
1	ALL MODELS	10024814AA	STICKER FOR STARTING CONTROLS	1			
4	ALL MODELS	10001847AB	STICKER FOR SERVICE (INHOUSE ENGINE)	1			
4	ALL MODELS	10001847AC	STICKER FOR SERVICE (INHOUSE ENGINE)	1	YES	INTERCHANGEABLE WITH 10001847AE (ROHS)	BZJSV329934SM
5	ALL MODELS	10004729AA	STICKER(FINAL INSPECTION)	2		INTERCHANGEABLE WITH 10004729AB (ROHS)	
6	ALL MODELS	10004899AA	STICKER OK FILTERED (FOR DRAIN PLUG)	1		INTERCHANGEABLE WITH 10004899AB (ROHS)	
7	DI-20 GT	10005010AA	STICKER EXTRA HEAVY	2		INTERCHANGEABLE WITH 10005010AC (ROHS)	
8	ALL MODELS	10002428AA	STICKER OK FILTER	1		INTERCHANGEABLE WITH 10002428AB (ROHS)	
9	DI-20 GT	10070348AB	STICKER FOR U DOME (SONALIKA)	1			
9	DI-20 GT	10070348AC	STICKER FOR U DOME (SONALIKA)	1	YES		AMGSV335176G
11	DI-20 GT	10070597AC	DATA PLATE (BUDNI)	1			
11	DI-20 GT	10070597AD	DATA PLATE (BUDNI)	1	YES	INTERCHANGEABLE WITH 10070597AF (ROHS)	MZCSV334117S3
12	DI-20 GT	10004896AA	SPECIAL RIVET SMALL	4		INTERCHANGEABLE WITH 10004896AB (ROHS)	

Sr.	Model	Item Code	Description	Qty	Int.	Remarks	Cut Off
13	ALL MODELS	10051347AB	STICKER FOR HI-LOW	1			
14	ALL MODELS	10051346AB	STICKER FOR PTO	1			
15	ALL MODELS	10052343AA	STICKER FOR 2WD-4WD	1			
11	DI-20 GT	10070597AE	DATA PLATE (BUDNI)	1	YES		BZYSU474487S 3
10	DI-20 GT	10005671AA	STICKER FOR SONALIKA LOGO (FENDER AREA)	1		DELETED FROM DZESU519491S 3	
14A	ALL MODELS	10051346AC	STICKER FOR PTO	1	YES		JMGSV368551G
9A	DI-20 GT	10083528AB	SONALIKA PLATE	1	YES		AMGSF547196G

24110A-2/2

VARIOUS STICKER'S

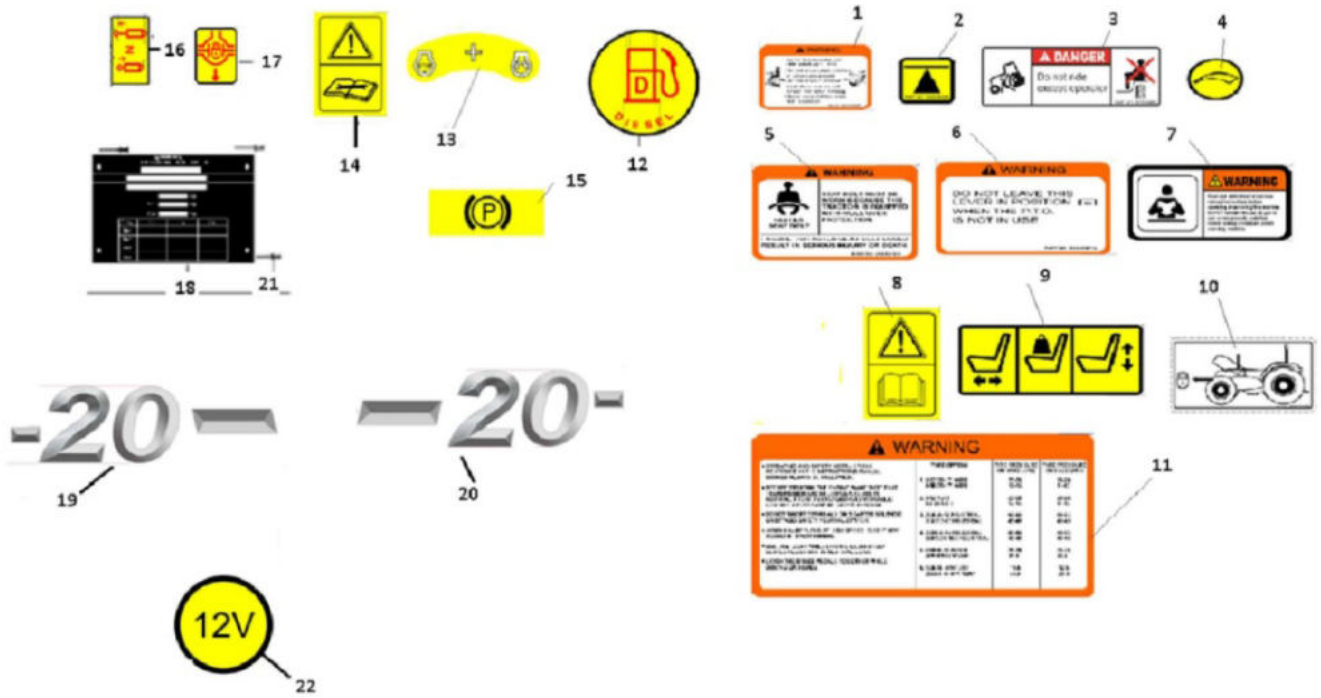


Sr.	Model	Item Code	Description	Qty	Int.	Remarks	Cut Off
21	ALL MODELS	10012045AB	STICKER FOR ENGINE START/IGNITION	1			
22A	ALL SOLIS-20	10083529AA	SOLIS PLATE	1	NO	INTERCHANGEABLE WITH 10083529AC (ROHS)	MEMEMGSU510327G
18	ALL MODELS WITH MHI ENGINE	10014072AC	STICKER MITSUBISHI ENGINE	1	YES	STICKER IS DELETED FROM GMGSF552415G	KMGSU526884G
19	ALL MODELS	10014057AD	COOL TECH STICKER	1	YES		LMKSU534156G26D
18	ALL MODELS WITH MHI ENGINE	10052366AA	STICKER FOR POWERED WITH MITSUBUSHI ENG.	1			
19	ALL MODELS	10052365AA	STICKER FOR COOL TECH	1			

Sr.	Model	Item Code	Description	Qty	Int.	Remarks	Cut Off
20	ALL MODELS	10012046AA	STICKER FOR DIESEL FUEL ONLY	1		DELETED FROM DMKSU521326 G26D	
21	ALL MODELS	10012045AA	STICKER FOR ENGINE START IGNITION	1		INTERCHANGEABLE WITH 10012045AB (ROHS)	
22	ALL SOLIS-20	10071471AA	STICKER FOR U DOME (SOLIS)	1			
23	ALL SOLIS-20	10052863AA	PARKING BRAKE STICKER	1			
24	ALL MODELS	10052852AA	STICKER FOR DIFF LOCK	1		INTERCHANGEABLE WITH 10052852AB (ROHS)	
17	DI-20 GT	10051626AB	STICKER FOR GARDEN TRAC (BONNET LH)	1	YES		FMGSV350234G
17A	SOLIS-20	10052897AB	BONNET STICKER SOLIS 20 LH	1			
26	DI-20 GT, SOLIS-20	10014064AC	III SPEED PTO STICKER	1		NEW STICKER IS IMPLEMENTED FROM	BMKSF537644G 26
25	SOLIS-20	10054162AA	STAR WASHER DIA4	1		WITH 10052373AC FROM	BMGSU469622G
16	ALL MODELS EXCEPT SOLIS-20	10051625AA	STICKER FOR GARDEN TRAC (BONNET RH)	1			
16	ALL MODELS EXCEPT SOLIS-20	10051625AB	STICKER FOR GARDEN TRAC (BONNET RH)	1	YES		FMGSV350234G
16A	SOLIS-20	10052896AB	BONNET STICKER SOLIS 20 RH	1			
17	DI-20 GT	10051626AA	STICKER FOR GARDEN TRAC (BONNET LH)	1			
27	DI-20 GT, SOLIS-20	10014064AC	III SPEED PTO STICKER	1		NEW STICKER IS IMPLEMENTED FROM	BMKSF537644G 26
28	DI-20 GT, SOLIS-20	10014063AC	DOUBLE PTO STICKER	1		NEW STICKER IS IMPLEMENTED FROM	MEMBMGSF539 927G
22A	ALL SOLIS-20	10083529AB	SOLIS PLATE	1	YES		MEMMGFSF5441 07G
29	SOLIS-20	300027566A	STICKER-POWERED BY MISTUBISHI	1		NEW STICKER ADDED FOR MITSUBISHI ENGINE	FOR NON EU MODEL- CMKSG801611G 26, FOR EU MODEL- MEMRMGSNSK JH02853
24	ALL MODELS	10052852AB	STICKER FOR DIFF LOCK	1	YES		

24111A-1/1

STICKERS

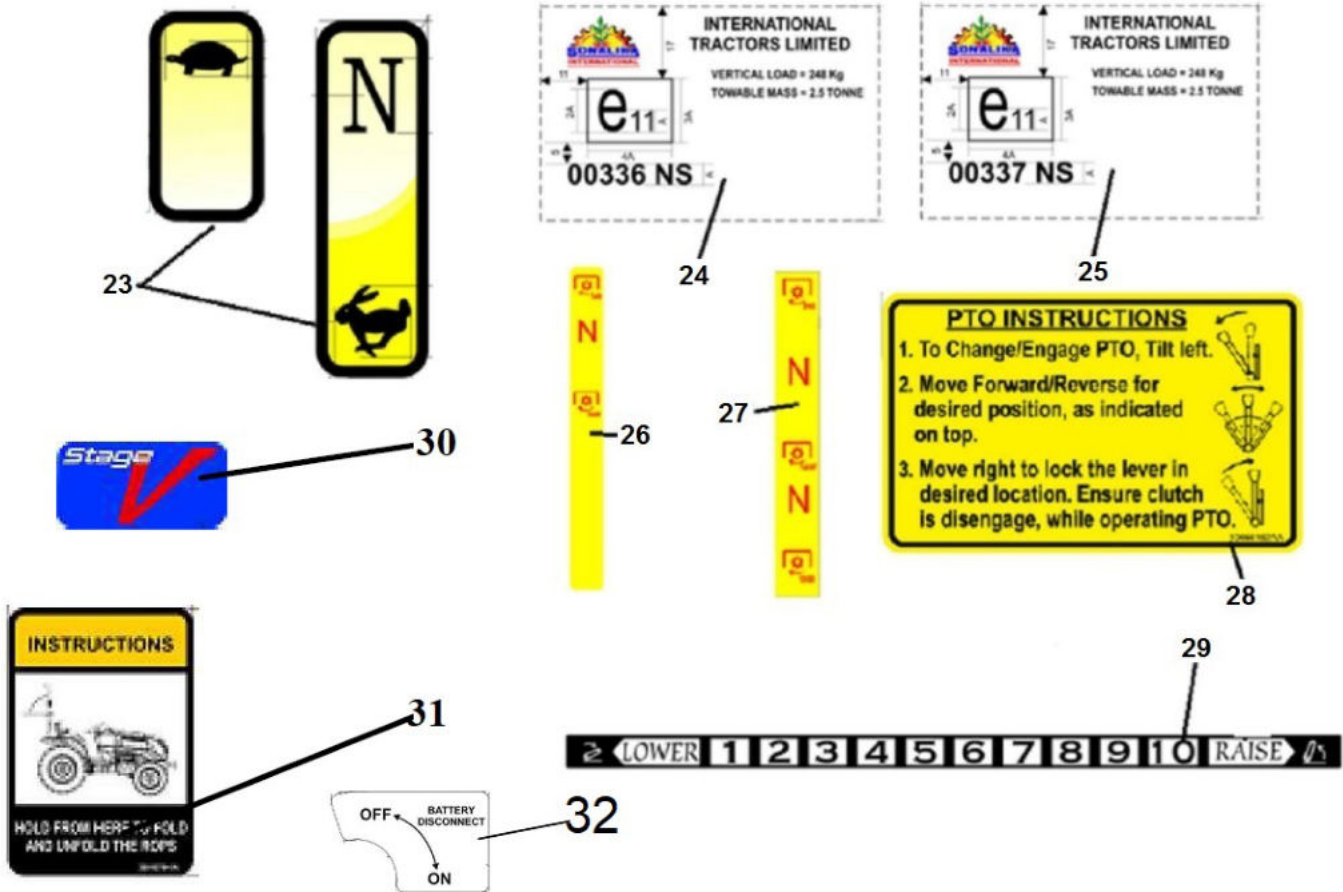


Sr.	Model	Item Code	Description	Qty	Int.	Remarks	Cut Off
1	ALL MODELS	300005508C	STICKER FOR RIDING INSTRUCTION	1			
11	ALL MODELS	300012534C	STICKER FOR TYRE PRESSURE	1			
1	ALL MODELS	300005508B	STICKER FOR RIDING INSTRUCTION	1			
2	ALL MODELS	300005490B	STICKER FOR JACK POINT	1			
3	ALL MODELS	300005488A	STICKER FOR FENDER WARNING	1			
4	ALL MODELS	300005475A	STICKER FOR HAND ACCELERATOR	1			
5	ALL MODELS	300005483A	STICKER FOR SEAT BELT INSTRUCTION	1			
6	ALL MODELS	300005487A	STICKER FOR PTO WARNING	1			

Sr.	Model	Item Code	Description	Qty	Int.	Remarks	Cut Off
7	ALL MODELS	300005493A	STICKER FOR OPERATOR MANUAL INSTRUCTION	1			
8	ALL MODELS	300005503A	STICKER FOR OPERATOR ALERT	1			
9	ALL MODELS	300005501A	STICKER FOR SEAT ADJUSTMENT & WEIGHT	1			
10	ALL MODELS	300005506B	STICKER FOR BONNET LOCK OPEN DECK	1			
11	ALL MODELS	300012534A	STICKER FOR TYRE PRESSURE	1			
12	ALL MODELS	300005466A	STICKER FOR DIESEL FUEL	1			
13	ALL MODELS	300008170A	STICKER FOR STARTING CONTROL	1			
14	ALL MODELS	300005504A	STICKER FOR SERVICE	1			
15	ALL MODELS	300008090A	PARKING BRAKE STICKER	1			
16	ALL MODELS	300008169B	STICKER FOR QRC	1			
17	ALL MODELS	300005470A	STICKER FOR DIFF LOCK	1			
18	ALL MODELS	300005264A	DATA PLATE	1			
19	ALL MODELS	300008601A	LOGO 20 LH	1			
20	ALL MODELS	300008602A	LOGO 20 RH	1			
21	ALL MODELS	10000636AA	RIVET DIA 3 (POP)	4			
22	ALL MODELS	300005474A	STICKER FOR 12V	1			
10	ALL MODELS	300005506B	STICKER FOR BONNET LOCK OPEN DECK	1		NEW PART ADDED FOR NON EU MODELS	MEMDMKSG781552G26

24111A-2/2

STICKERS

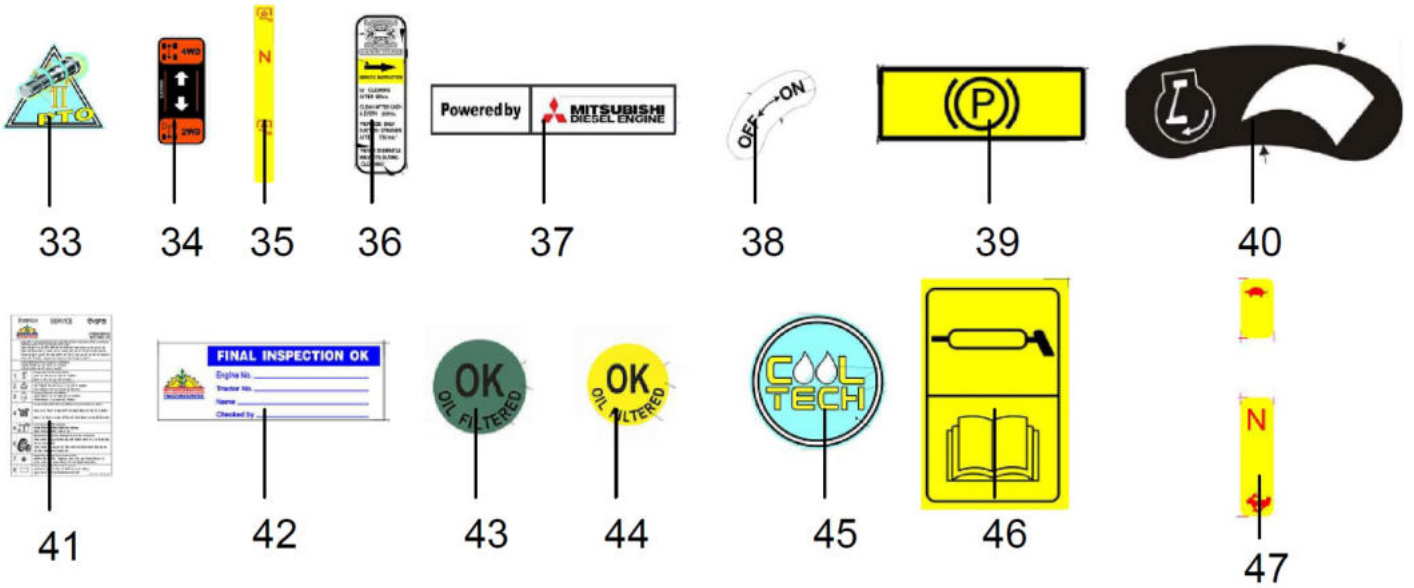


Sr.	Model	Item Code	Description	Qty	Int.	Remarks	Cut Off
24	ALL MODELS	300108109A	STICKER FOR SWINGING DRAWBAR	1			
32	SOLIS-20 FACELIFT EU MODELS	10086156AA	STICKER FOR BATTERY CUT OFF SWITCH	1		NEW PART ADDED	MEMRMKSNSH KH06611
23	ALL MODELS	300008085A	STICKER FOR HI LOW	1			
24	ALL MODELS	300012572A	SWINGING DRAW BAR STICKER	1		INTERCHANGEABLE WITH 300108109A (ROHS)	
25	ALL MODELS	300012575A	CLEVIS HITCH E-MARK STICKER	1			
26	ALL MODELS	300024013A	STICKER FOR PTO	1			
27	ALL MODELS	300008094B	STICKER FOR PTO	1			

Sr.	Model	Item Code	Description	Qty	Int.	Remarks	Cut Off
28	ALL MODELS	10056162AA	STICKER FOR PTO INSTRUCTION	1			
29	ALL MODELS	300008087A	STICKER FOR POSITION INDICATION	1			
30	SOLIS-20 FACELIFT EU MODELS	300108079A	STICKER FOR STAGE 5	1		STAGE V ENGINE	MEMRMGSNSB KH03862
31	SOLIS-20 FACELIFT EU MODELS	300107941A	ROPS GRASPING AREA STICKER	1		STAGE V ENGINE	MEMRMGSNSB KH03862
24	SOLIS-20 FACELIFT EU MODELS	300108109A	STICKER FOR SWINGING DRAWBAR	1	YES	STAGE V ENGINE	MEMRMGSNSB KH03862
25	SOLIS-20 FACELIFT EU MODELS	300108110A	STICKER FOR CLEVIS HITCH	1	YES	STAGE V ENGINE	MEMRMGSNSB KH03862

24111A-3/3

STICKERS

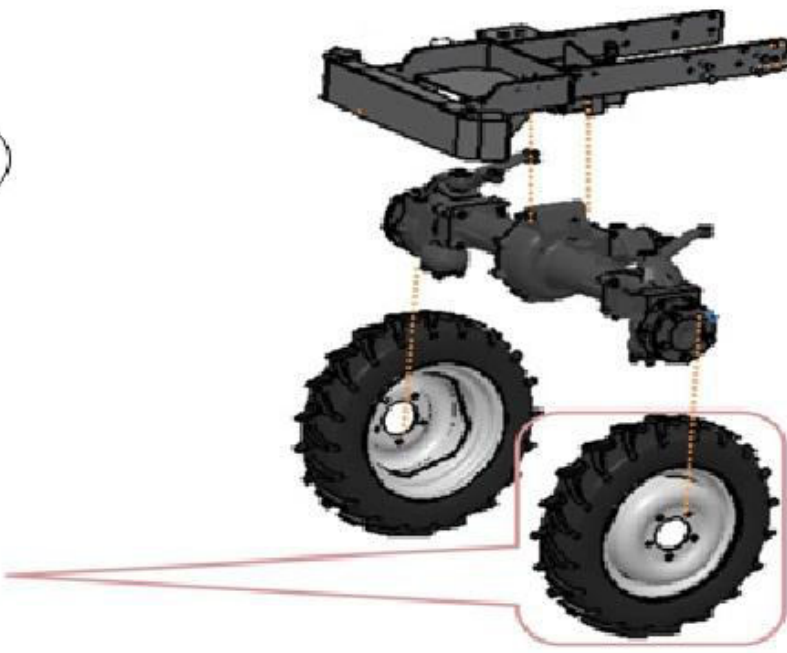
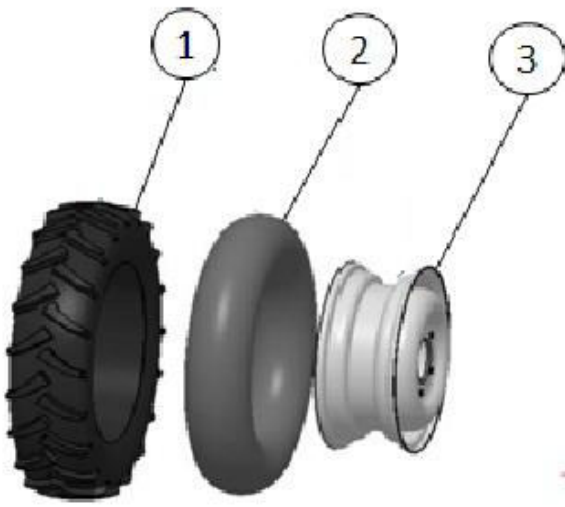


Sr.	Model	Item Code	Description	Qty	Int.	Remarks	Cut Off
33	ALL MODELS	10014063AC	DOUBLE PTO STICKER	1			
34	ALL MODELS	300082287B	STICKER FOR 4WD (9+9)	1			
35	ALL MODELS	300008093B	STICKER FOR PTO	1			
36	ALL MODELS	10054213AC	STICKER FOR MAGNETIC STRAINER	1			
37	ALL MODELS	300027566A	STICKER-POWERED BY MISTUBISHI	1			
38	ALL MODELS	300076351A	STICKER FOR BATTERY DISCONNECT	1			
39	ALL MODELS	10084536AA	STICKER FOR PARKING BRAKE	1			
40	ALL MODELS	10024815AA	STICKER FOR SPEED CONTROL	1			

Sr.	Model	Item Code	Description	Qty	Int.	Remarks	Cut Off
41	ALL MODELS	10001847AC	STICKER FOR SERVICE (INHOUSE ENGINE)	1			
42	ALL MODELS	10004729AC	STICKER(FINAL INSPECTION)	2			
43	ALL MODELS	10004899AA	STICKER OK FILTERED (FOR DRAIN PLUG)	1			
44	ALL MODELS	10002428AA	STICKER OK FILTER	1			
45	ALL MODELS	10014057AD	COOL TECH STICKER	1			
46	ALL MODELS	300005502A	STICKER FOR GREASING POINT	1			
47	ALL MODELS	300008086A	STICKER FOR HI LOW	1			

25110A-1/1

FRONT TYRE

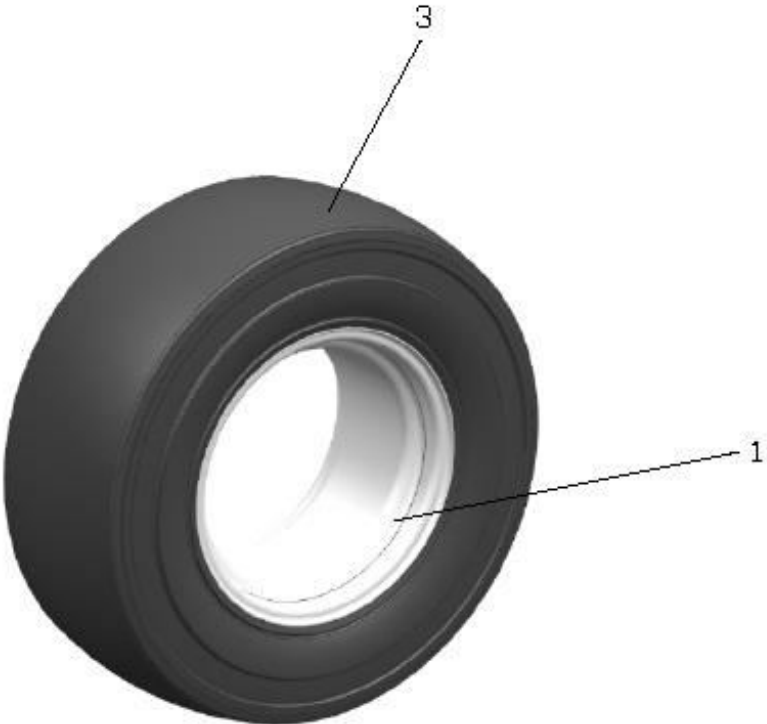


Sr.	Model	Item Code	Description	Qty	Int.	Remarks	Cut Off
3	SOLIS-20 (WIDER TYRES)	10054485AA	FRONT RIM ASSY 24HP-4X12 (SILVER)	2			
1	SOLIS-20 (WIDER TYRES)	10052518AA	FRONT TYRE 6*12	2		APN 10054033AA	
2	ALL MODELS	20003816AB	TUBE 5-12	2			
3	ALL MODELS	10051039AA	FRONT RIM ASSY.	2			
1	ALL MODELS,SOLIS-20 AGRI TYRES	20003815AA	TYRE 5-12	2			
1	SOLIS-20 INDUSTRIAL TYRES	20004807AA	23X8.5-12 12 PR BKT SP HD TL	2			
2	SOLIS-20 (WIDER TYRES)	10052520AA	FRONT TUBE 6*12	2			
1	SOLIS-20 (WIDER TYRES)	10054033AA	TR FRONT 6.5/80-12 6PR BKT AS504 HD TT	2			

Sr.	Model	Item Code	Description	Qty	Int.	Remarks	Cut Off
3	SOLIS-20 (WIDER TYRES)	10054485AB	FRONT RIM ASSY 24HP-4X12 (SILVER)	2	YES		
1	SOLIS-20 EU FACELIFT (POWER STG.)	10054177AA	TR FRONT 6.00-12 6PR BKT TR171 TT	2			
2	SOLIS-20 EU FACELIFT (POWER STG.)	10054179AA	TR FRONT 6.00/6-12 TR-15 TUBE	2			

25111A-1/1

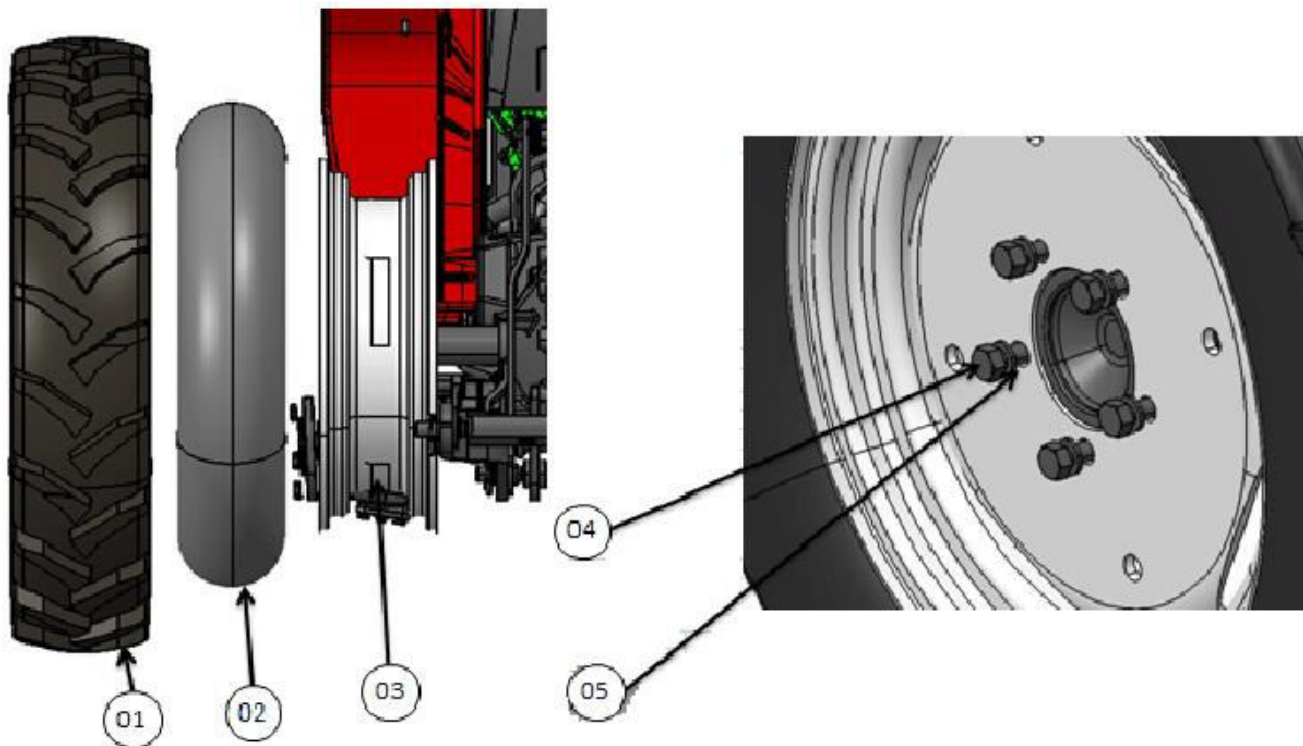
FRONT TYRE



Sr.	Model	Item Code	Description	Qty	Int.	Remarks	Cut Off
1	SOLIS-20 (TURF TYRE)	10053932AA	FRONT RIM 7.001 X 12(SILVER PAINTED)	2			
1	SOLIS-20 (TURF TYRE)	10053931AA	FRONT RIM 7.001 X 12	2			
2	SOLIS-20 (TURF TYRE)	20004810AA	FRONT TYRE VALVE (V2.05.1)	2		VIEW NOT SHOWN	
3	SOLIS-20 (TURF TYRE)	20004805AA	FRONT TYRE(23X8.50-12 LG 306 12PR TL	2			

25120A-1/1

REAR TYRE

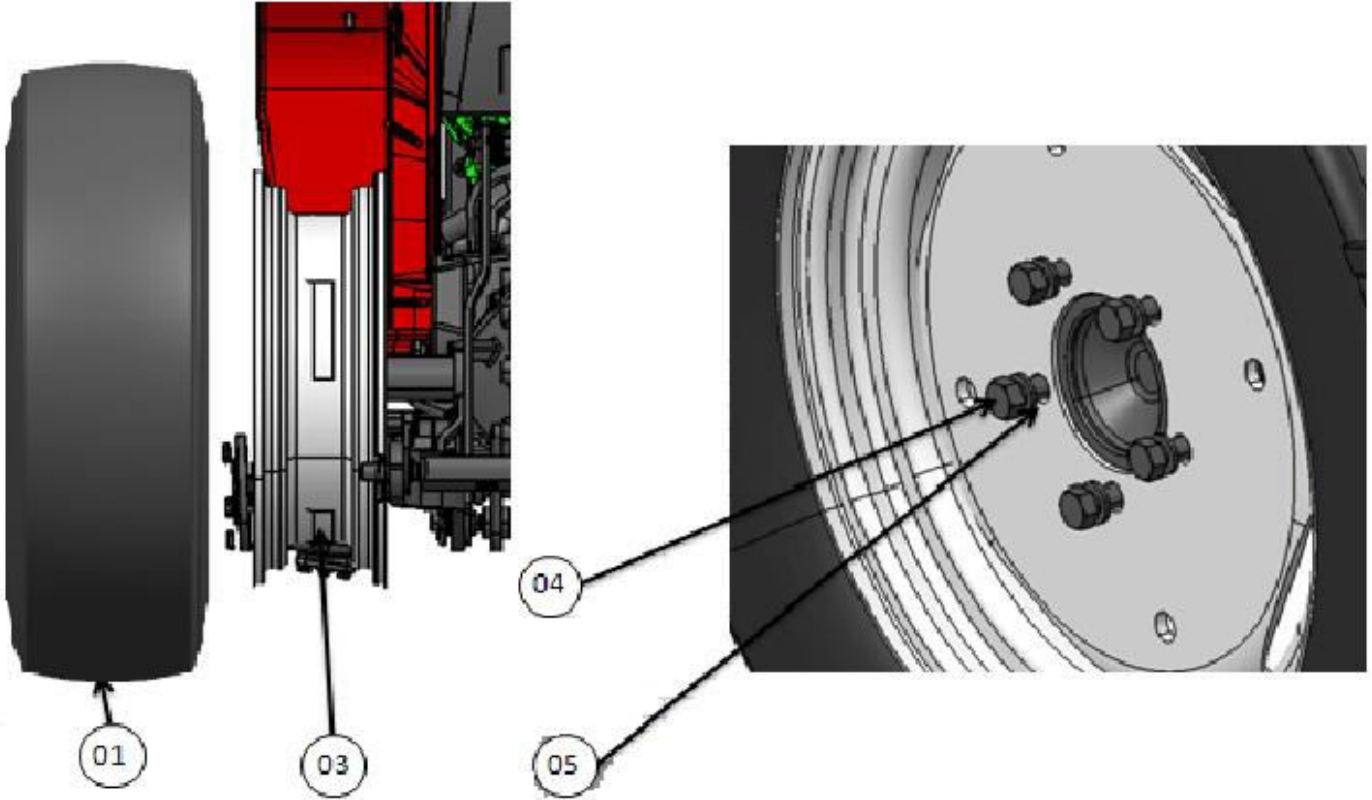


Sr.	Model	Item Code	Description	Qty	Int.	Remarks	Cut Off
5	ALL MODELS	10005014AB	WASHER	10			
3	SOLIS-20 (WIDER TYRES)	10054486AA	REAR RIM ASSY 24HP-W7X20 (SILVER)	2			
3	SOLIS 20 (FRANCE, SPAIN)	10056247AA	REAR RIM ASSY W7X20 (SILVER)	2	NO	APN 10054486AA	JMKSF578889G 26
3	SOLIS-20 (WIDER TYRES)	10052516AB	REAR RIM ASSY 24HP	2		PART CODE OF CED COATED	
5	ALL MODELS	10005014AA	WASHER (FOR REAR WHEEL)	10		INTERCHANGEABLE WITH 10039395AA (ROHS)	
1	SOLIS-20 (WIDER TYRES)	10052519AA	REAR TYRE 8.3*20	2		APN 10085745AA	
2	ALL MODELS	10051162AA	WHEEL TUBE (REAR)8x18 4ply	2			

Sr.	Model	Item Code	Description	Qty	Int.	Remarks	Cut Off
3	ALL MODELS	10051161AB	REAR RIM ASSY 5*18	2			
3	ALL MODELS	10051323AB	REAR WHEEL RIM 5X18 (SILVER)	2			
1	ALL MODELS,SOLIS-20 AGRI TYRES	10051160AA	WHEEL TYRE (REAR) 8x18 4ply	2			
1	SOLIS-20 INDUSTRIAL TYRES	20004808AA	31X15.5-15 10 PR BKT SP HD TL	2		APN 10085745AA	
2	SOLIS-20 (WIDER TYRES)	10052521AA	REAR TUBE 8.3*20	2			
3	SOLIS 20 (FRANCE, SPAIN)	10056246AA	REAR RIM ASSY W7X20 (CED COATED)	2	NO	APN 10052516AB	JMKSF578889G 26
4	ALL MODELS	20003365AA	HEX NUT M16X1.5 -8 SA2GS	10		INTERCHANGE ABLE WITH 20005513AA (ROHS)	
1	SOLIS-20 (WIDER TYRES)	10085745AA	TR REAR 280/70R18 AGRIMAX RT765 E 114A8	2		These tyres are used in front in SOLIS 90N model	
4	ALL MODELS	20005513AA	HEX NUT M16X1.5 -8 SA4GS	10	YES		
1	SOLIS-20 EU FACELIFT (POWER STG.)	10054178AA	REAR 8.3-20 6PR BKT TR171 TT	2			
2	SOLIS-20 EU FACELIFT (POWER STG.)	10054180AA	TR REAR 8.3-20 TR-218A TUBE	2			
3	SOLIS-20 EU FACELIFT (POWER STG.)	10056483AA	REAR WHEELASSY-W7X20 (ADUSTATYPE-SILVER P	2			
3	SOLIS-20 EU FACELIFT (POWER STG.)	10056482AA	REARWHEEL ASSY-W7X20 (ADUSTATYPE-CEDCOAT	2			
5	SOLIS-20 EU FACELIFT (POWER STG.)	04030400016	SPRING WASHER B-16	10			

25130A-1/1

REAR TYRE

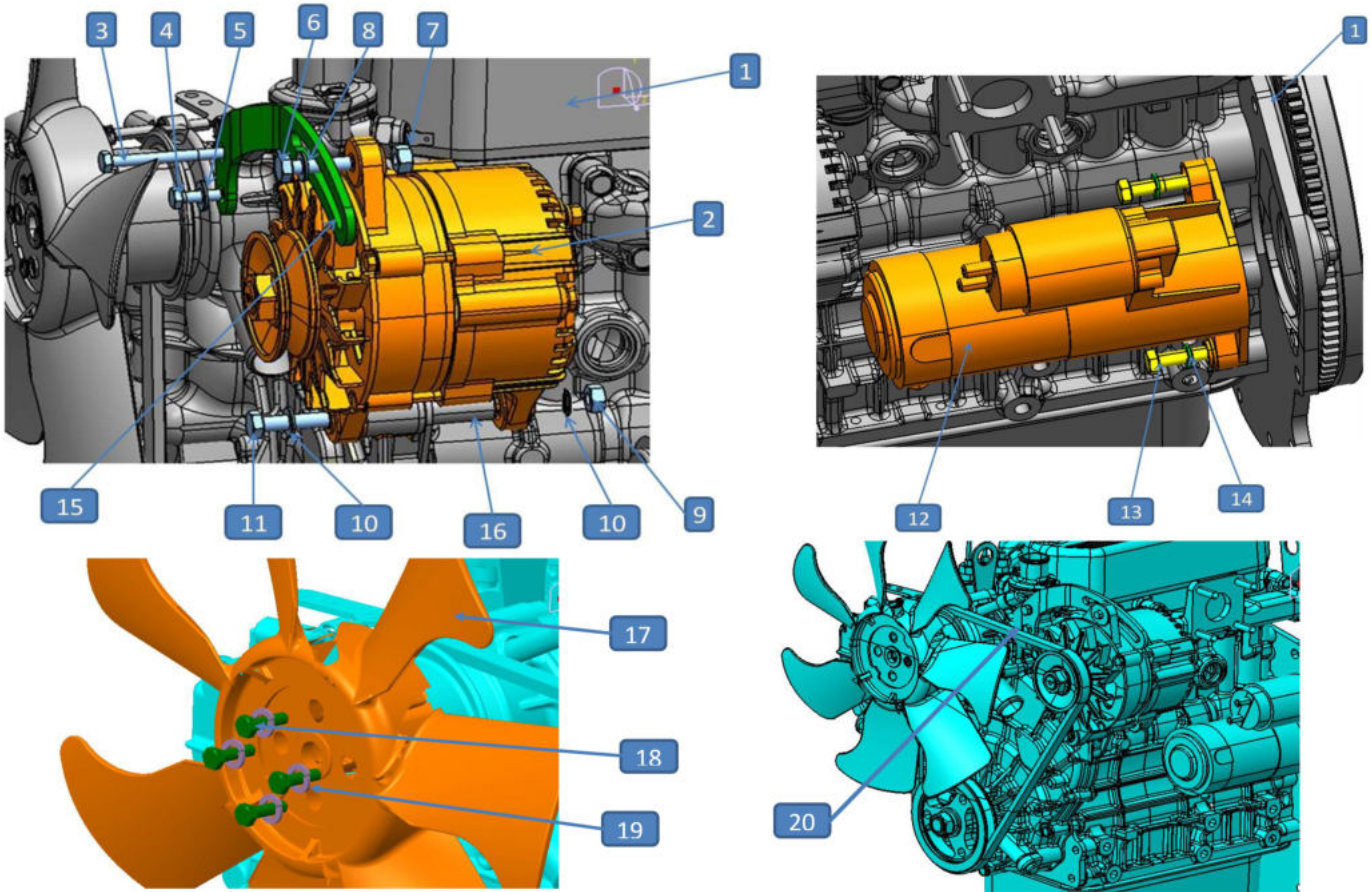


Sr.	Model	Item Code	Description	Qty	Int.	Remarks	Cut Off
5	SOLIS-20 (TURF TYRE)	10005014AB	WASHER	10			
1	SOLIS-20 (TURF TYRE)	20004806AA	REAR TYRE(33X15.50-16.5 LG 306 10PR TL)	2			
2	SOLIS-20 (TURF TYRE)	20004809AA	REAR TYRE VALVE (V2.05.2)	2		VIEW NOT SHOWN	
3	SOLIS-20 (TURF TYRE)	10053934AB	REAR RIM 16.5 X 12.00(SILVER PAINTED)	2			
3	SOLIS-20 (TURF TYRE)	10053933AB	REAR RIM 16.5 X 12.00(W/O PAINT)	2			
4	SOLIS-20 (TURF TYRE)	20003365AA	HEX NUT M16X1.5 -8 SA2GS	10		INTERCHANGEABLE WITH 20005513AA (ROHS)	
5	SOLIS-20 (TURF TYRE)	10005014AA	WASHER (FOR REAR WHEEL)	10		INTERCHANGEABLE WITH 10039395AA	

Sr.	Model	Item Code	Description	Qty	Int.	Remarks	Cut Off
						(ROHS)	
4	SOLIS-20 (TURF TYRE)	20005513AA	HEX NUT M16X1.5 -8 SA4GS	10	YES		

26110A-1/1

ALTERNATOR & STARTER ASSY



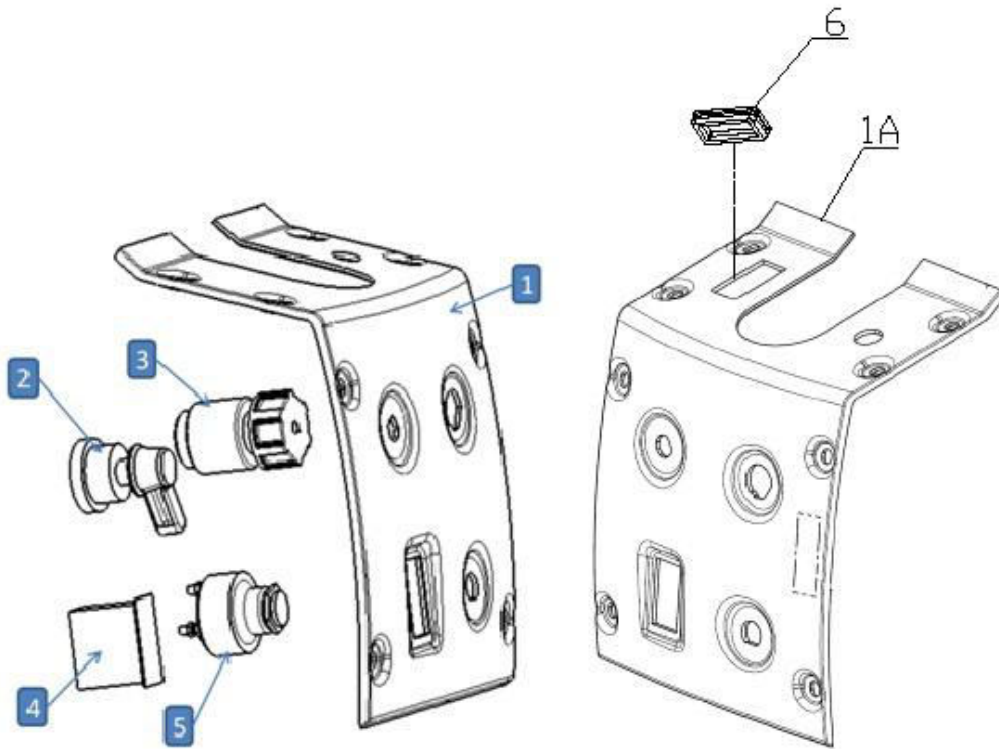
Sr.	Model	Item Code	Description	Qty	Int.	Remarks	Cut Off
6	ALL MODELS	20005563AA	HEX SCREW M8X1.25X30 -8.8 SA4GS	1			
7	ALL MODELS	20004917AB	HEX NYLOC NUT M8*1.25 8	1			
11	ALL MODELS	20003330AA	HEX BOLT M8*1.25*85 8-8 SA3NS	1			
11	ALL MODELS	20005603AA	HEX HEAD BOLT M8X100_8.8 SA4GS	1			
16	ALL MODELS	703010035B	SPACER FOR ALT. MTH. BRACKET GARDENTRACK	1			
17	ALL MODELS	10051911AB	RADIATOR FAN DIA 350 MM (GT)	1			
11	ALL MODELS	04040708100	HEX BOLT M8x100-Z	1		INTERCHANGEABLE WITH 20005603AA (ROHS)	
15	ALL MODELS	703002125B	ALTERNATOR STRUT	1	YES		

Sr.	Model	Item Code	Description	Qty	Int.	Remarks	Cut Off
1	ALL MODELS	10051080AA	ENGINE ASSY	1			
2	ALL MODELS	803010023A	ALTERNATOR ASSY.	1			
3	ALL MODELS	20002541AA	HEX HEAD SCREW M6X60-8.8SA2JS	1			
4	ALL MODELS	20003518AA	M6X20 HEX HEAD SCREW	1		INTERCHANGE ABLE WITH 20005541AA (ROHS)	
5	ALL MODELS	04030600006	PLAIN WASHER DIA.6.4X DIA 18 X1.5	1			
6	ALL MODELS	04040708030	HEX BOLT M8X30-8.8-SA2GS	1		INTERCHANGE ABLE WITH 20005563AA (ROHS)	
7	ALL MODELS	04041000008	HEX NYLON NUT M8X1.25-8SA2GS	1		INTERCHANGE ABLE WITH 20004917AB (ROHS)	
8	ALL MODELS	04030600008	PLAIN WASHER DIA.8.4X DIA 17 X1.6	1			
9	ALL MODELS	04040800008	HEX NUT M8X1.25-8SA2JS	1		INTERCHANGE ABLE WITH 20005504AA (ROHS)	
10	ALL MODELS	04030600008	PLAIN WASHER DIA 8.4X DIA 17X1.6	1			
11	ALL MODELS	04040708085	HEX HEAD SCREW M8X1.25X85 8.8 SA2JS	1		INTERCHANGE ABLE WITH 20003330AA (ROHS)	
12	ALL MODELS	803010022A	STARTER	1			
13	ALL MODELS	04040308025	HEX SOCKET HEAD CAP SCREW M8*25	2			
14	ALL MODELS	04030400008	SPRING WASHER B-8	2		INTERCHANGE ABLE WITH 20005517AA (ROHS)	
15	ALL MODELS	703002125A	ALTERNATOR STRUT	1			
16	ALL MODELS	703010035A	SPACER ALTERNATOR	1		INTERCHANGE ABLE WITH 703010035B (ROHS)	
17	ALL MODELS	10051911AA	RADIATOR FAN G.T (DIA. 350mm)	1			
18	ALL MODELS	20003518AA	HEX FLANGE SCREW M6*1*20-8.8 SA2JS	4		INTERCHANGE ABLE WITH 20005541AA (ROHS)	
19	ALL MODELS	04030400006	SPRING WASHER B-6	4			
20	ALL MODELS	703006099A	FAN BELT	1			
4	ALL MODELS	20005541AA	HEX FLANGE SCREW M6*1*20 -8.8 SA4GS	1	YES		
9	ALL MODELS	20005504AA	HEX NUT M8X1.25 -8 SA4GS	1	YES		
14	ALL MODELS	20005517AA	SPRING WASHER B-8 TYPE A IS: 3067-1972	2	YES		
18	ALL MODELS	20005541AA	HEX FLANGE SCREW M6*1*20 -8.8 SA4GS	4	YES		
1	SOLIS-20 FACELIFT EU MODELS	300043622A	MHI ENGINE STAGE V L3E 18HP	1	YES	STAGE V ENGINE	MEMRMGSNSB KH03862

Sr.	Model	Item Code	Description	Qty	Int.	Remarks	Cut Off
13	SOLIS-20 EU FACELIFT (POWER STG.)	20005001AB	HEX SOCKET HEAD CAP SCREW M8*25	2			

26120A-1/1

FRONT PANEL ASSY

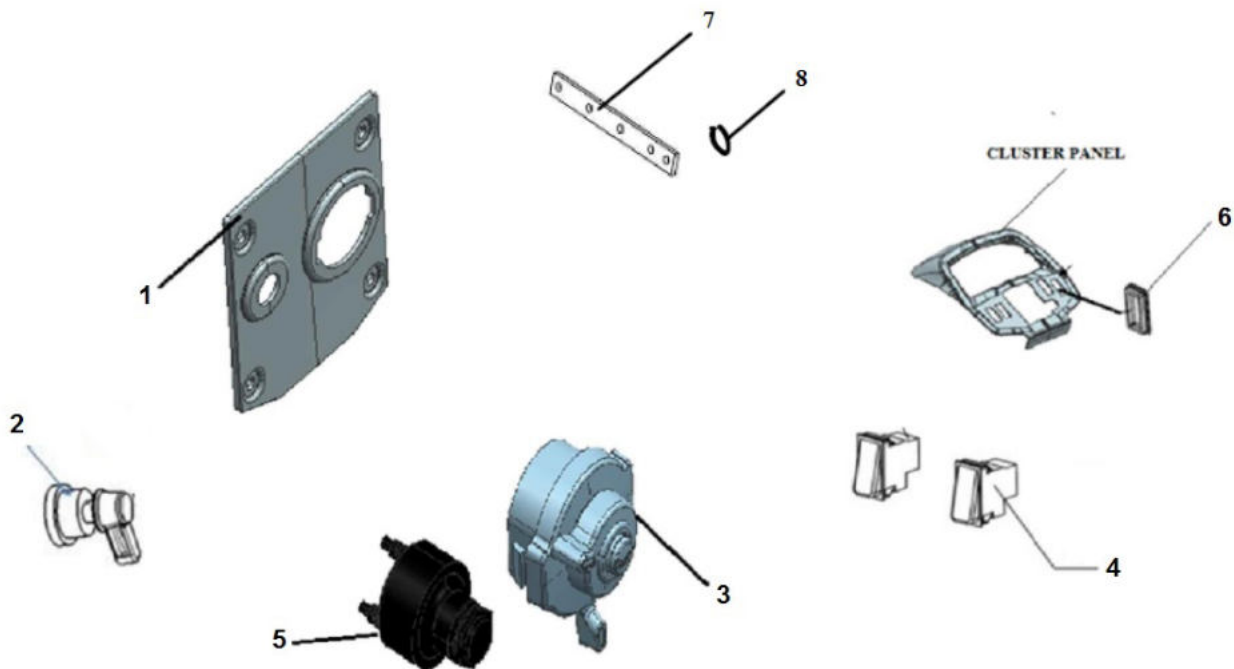


Sr.	Model	Item Code	Description	Qty	Int.	Remarks	Cut Off
4	ALL MODELS	10022277AC	HAZARD WARNING SWITCH	1			
4	ALL MODELS	10022277AC	HAZARD SWITCH	1	YES		AZCST628975S 3
1	ALL MODELS	10051629AE	FRONT PANEL	1			
2	ALL MODELS	20002178AA	INDICATOR SWITCH	1			
3	ALL MODELS	10051807AA	COMBINATION SWITCH	1			
4	ALL MODELS	10022277AA	HAZARD SWITCH	1		INTERCHANGE ABLE WITH 10022277AC (ROHS)	
5	ALL MODELS	10026301AB	STARTING SWITCH	1		Applicable key for AA and AB revision is 300183368A (Bunch of	

Sr.	Model	Item Code	Description	Qty	Int.	Remarks	Cut Off
						moulded key_0101014/S 7)	
1A	ALL MODELS	10051629AF	FRONT PANEL	1	YES		GMGSV342556 G
6	WITH 10051629AF	10024996AB	CLOSING CAP	1		NEW PART ADDED FROM	GMGSV342556 G
1A	ALL MODELS	10051629AG	FRONT PANEL	1	YES		MMGSG710084 G

26121A-1/1

FRONT PANEL ASSY.

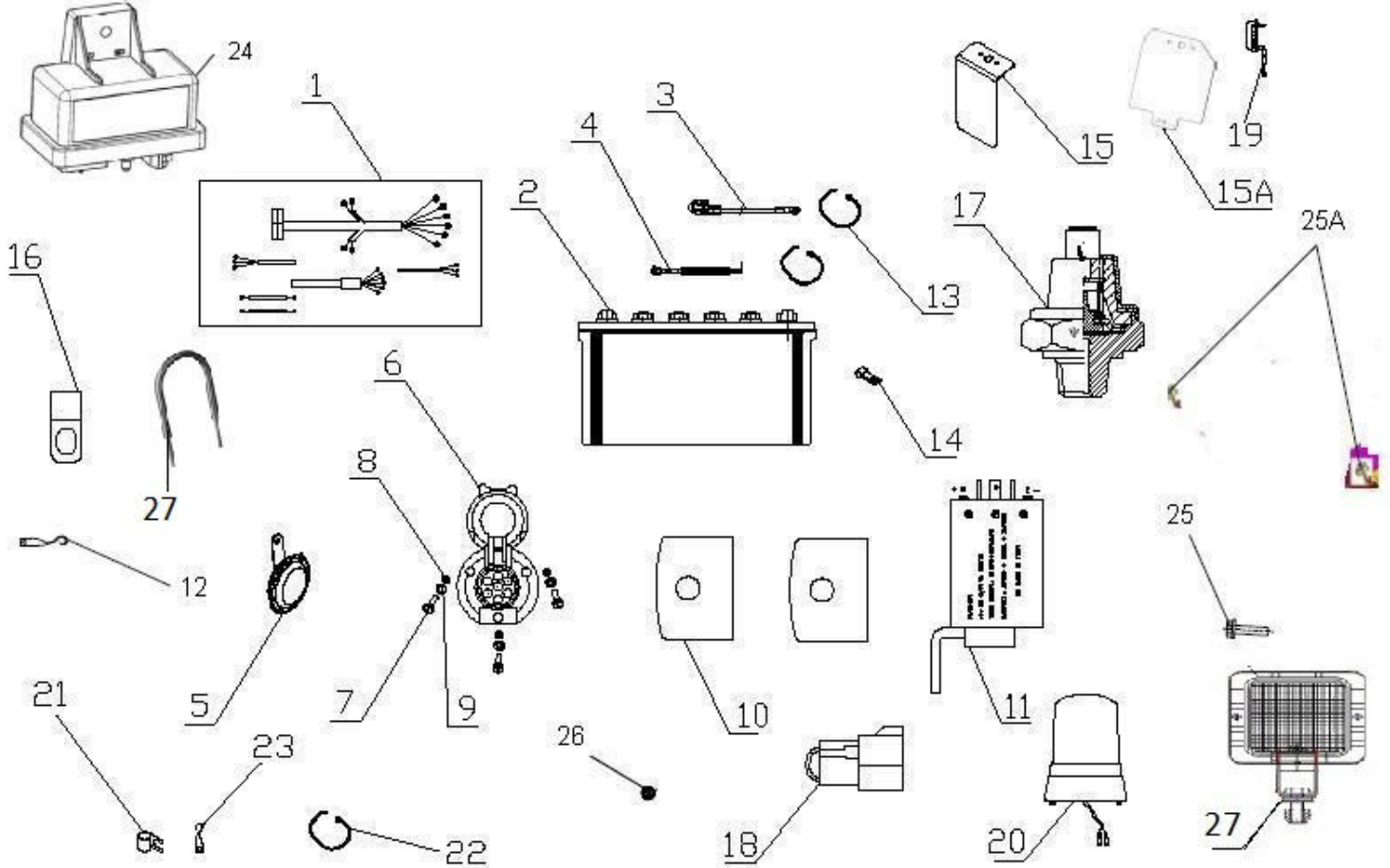


Sr.	Model	Item Code	Description	Qty	Int.	Remarks	Cut Off
1	ALL MODELS	300007808A	CENTER COVER DASHBOARD	1			
2	ALL MODELS	20002178AA	INDICATOR SWITCH	1			
3	ALL MODELS	10051807AA	COMBINATION SWITCH	1			
4	ALL MODELS	10022277AC	HAZARD SWITCH	1			
5	ALL MODELS	10026301AB	STARTING SWITCH	1		Applicable key for AA and AB revision is 300183368A (Bunch of moulded key_0101014/S 7)	

Sr.	Model	Item Code	Description	Qty	Int.	Remarks	Cut Off
6	ALL MODELS	10024996AB	CLOSING CAP	2			
7	SOLIS-20 EU FACELIFT	300023127B	RELAY MTG. PLATE	1			MEMRMGSNSM JH00326
8	SOLIS-20 EU FACELIFT	10004984AA	PLASTIC STRAP	1			MEMRMGSNSM JH00326
1	SOLIS-20 EU FACELIFT (POWER STG.)	10057507AD	CENTER COVER DASHBOARD	1			
3	SOLIS-20 EU FACELIFT (POWER STG.)	10027175AC	COMBINATION SWITCH	1			
5	SOLIS-20 EU FACELIFT (POWER STG.)	10026301BA	STARTING SWITCH	1			

26130A-1/2

ELECTRICALS & MISC.



Sr.	Model	Item Code	Description	Qty	Int.	Remarks	Cut Off
7	ALL MODELS	200000385A	SLOTTED CHEASE HEAD SCREW M5*30	3			
7	DI-20 GT	20005536AA	SLOTTED CHEASE HEAD SCREW M5*40	3			
8	ALL MODELS	300028453A	HEX NUT M5-8 SA2JS	3			
3	ALL MODELS	10037169AA	BATTERY CABLE NEGATIVE	1			
23	ALL MODELS	10057681AA	CLAMPING STRIP	1			
2	ALL MODELS	10055128AA	MAINTENANCE FREE BATTERY 12V, 65AH & 540	1	YES		KMGST689791G
1	SOLIS-20 WIDER TYRE , SOLIS-20 TRUF TYRE	10051960BA	HARNESS ASSY	1			
1	SOLIS-20 WIDER TYRE , SOLIS-20 TRUF TYRE	10051960BA	HARNESS ASSY	1			

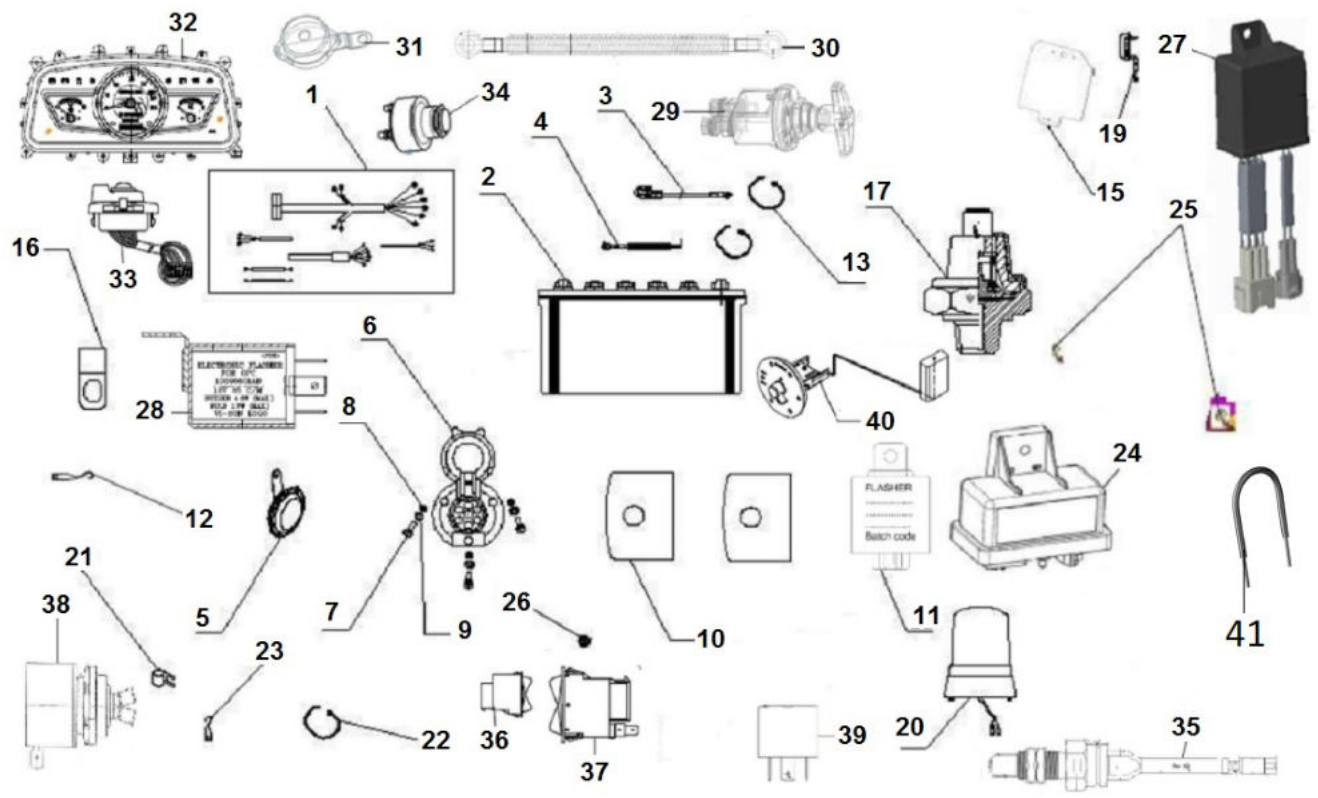
Sr.	Model	Item Code	Description	Qty	Int.	Remarks	Cut Off
17	ALL MODELS	10051875AB	OIL PRESSURE SENSOR	1			
15	DI-20 GT	10051922AA	REGISTRATION PLATE	1			
15	DI-20 GT	10051922AB	REGISTRATION PLATE	1	YES	PART DELETED FROM DYHST675187B	BMGSE390617G
15A	ALL SOLIS-20	10051949AA	REGISTRATION PLATE(WITHOUT PAINT)	1			
16	ALL MODELS	10004235AA	CLAMP	1		WITH WIRE HARNESS	
18	ALL MODELS	10002541AA	SHORT COUPLER	1	FROM	DELETED FOR 10051325AE	DMGSD308719G
19	ALL SOLIS-20	10004236AB	LIGHT FOR REGISTRATION PLATE	1		INTERCHANGEABLE WITH 10004236BC (ROHS)	
20	ALL SOLIS-20	10083050AA	REVOLVING LIGHT	1			
21	ALL MODELS	10024780AB	CLAMP (RADIATOR)	5		QTY ONE OF CLAMP (10024780AB) DELETED FOR SOLIS-20 FROM	MEMCMGSU53591G
22	ALL MODELS	33085038AA	PLASTIC STRAP LENGTH=390mm	1			
23	ALL MODELS	10004232AB	CLAMPING STRIP	1		INTERCHANGEABLE WITH 10057681AA (ROHS)	
5	ALL SOLIS-20	10024999AA	HORN (E-MARK)	1		INTERCHANGEABLE WITH 10055476AA (ROHS)	
5	ALL SOLIS-20	10038929AA	HORN	1	NO	TO MEET THE VEHICLE CERTIFICATION REQUIREMENT	DYYDF590343MS
1	ALL SOLIS-20	10051960AE	HARNESS ASSY	1	YES		GMGSE416344G
1	ALL SOLIS-20	10051960AD	HARNESS ASSY	1			
15B	SOLIS-20 WIDER TYRE	10053784AA	REGISTRATION PLATE 8.3-20 TYRE	1		NOT SHOWN	
15C	SOLIS-20 TRUF TYRE	10053928AB	REGISTRATION PLATE	1		NOT SHOWN	
20	ALL SOLIS-20	10053765AA	REVOLVING LIGHT	1			
22	ALL MODELS	10004984AA	PLASTIC STRAP	1		INTERCHANGEABLE WITH 10004984AB (ROHS)	
1	SOLIS-20 WITH DRY AIR CLEANER	10051960DB	HARNESS ASSY	1			
1	SOLIS-20 WITH DRY AIR CLEANER	10051960DC	HARNESS ASSY	1	YES		MEMKMGSU528196G
1	DI-20 GT	10051325AD	HARNESS ASSY	1			
1	DI-20 GT	10051325AE	HARNESS ASSY	1	YES		DMGSD308719G
2	ALL MODELS	10051303AA	BATTERY	1			

Sr.	Model	Item Code	Description	Qty	Int.	Remarks	Cut Off
3	ALL MODELS	10004210AC	BATTERY CABLE NEGATIVE	1			
3	ALL MODELS	10012929AA	BATTERY CABLE NEGATIVE	1	YES		CMGSU533205 G
5	DI-20 GT	10005461BB	HORN ASSY (HIGH TONE)	1		INTERCHANGE ABLE WITH 10055476AA (ROHS)	
5	DI-20 GT	10038929AA	HORN	1	NO	TO MEET THE VEHICLE CERTIFICATIO N REQUIREMENT	DYYDF590343M S
6	ALL MODELS	10002339AA	7 PIN SOCKET ASSY.	1		INTERCHANGE ABLE WITH 10036843AA (ROHS)	
6	DI-20 GT	10071579AA	7 PIN SOCKET ASSY WITH GROMMET	1			
7	ALL MODELS	04042905030	SLOTTED CHEESE HD SCREW M5*30	3		INTERCHANGE ABLE WITH 200000385A (ROHS)	
7	DI-20 GT	20003188AA	SLOTTEED CHEESE HEAD SCREWS M5*40	3		INTERCHANGE ABLE WITH 20005536AA (ROHS)	
8	ALL MODELS	20003353AA	HEX NUT M5 -8 SA3NS	3			
9	ALL MODELS	04030800006	M CD WASHER DIA 6.4 *DIA 12.4*1.6	3			
10	ALL MODELS	10005164AB	RUBBER PAD	2		INTERCHANGE ABLE WITH 10005164AD (ROHS)	
11	ALL MODELS	10004215AA	FLASHER UNIT ASSY.	1		INTERCHANGE ABLE WITH 10004215AB (ROHS)	
12	ALL MODELS	10004212AA	CLAMP	2		INTERCHANGE ABLE WITH 10004212AB (ROHS)	
13	ALL MODELS	10004984AA	PLASTIC STRAP	2		INTERCHANGE ABLE WITH 10004984AB (ROHS)	
14	ALL MODELS	10001703AA	CLAMP FOR BATTERY CABLE	1		Discontinued Part	
4	ALL MODELS	10004211AD	BATTERY CALBE POSITIVE	1			
4	ALL MODELS	10004211AE	BATTERY CALBE POSITIVE	1	YES		ESASV90156SM
25	ALL MODELS	20003931AA	CROSS SLOTTED TRUSS HEAD SCREW M6	2		INTERCHANGE ABLE WITH 20003931AB (ROHS)	
25A	ALL MODELS	20003518AA	HEX FLANGE SCREW M6*1*20-8.8 SA2JS	2	YES	INTERCHANGE ABLE WITH 20005541AA (ROHS)	CMGSU533205 G
26	ALL MODELS	04030600006	PLAIN WASHER DIA 6.4 *DIA 18 *1.5	2		NEW PART ADDED WITH 10012929AA FROM	CMGSU533205 G

Sr.	Model	Item Code	Description	Qty	Int.	Remarks	Cut Off
11	ALL MODELS	10004215AB	FLASHER UNIT ASSY.	1	YES		MEMCZGFT698 312S3
5	ALL SOLIS-20	10055476AA	HORN (E-MARK)	1	YES		
6	ALL MODELS	10036843AA	7 PIN SOCKET ASSY (SAE MARK)	1	YES		
13	ALL MODELS	10004984AB	PLASTIC STRAP	2	YES		
21	ALL MODELS	10039275AA	CLAMP (RADIATOR)	5	YES		
22	ALL MODELS	10004984AB	PLASTIC STRAP	1	YES		
25A	ALL MODELS	20005541AA	HEX FLANGE SCREW M6*1*20 -8.8 SA4GS	2	YES		
27	ALL MODELS	300211399A	7 PIN SOCKET JUMPER WIRE	1		NEW PART	MEMRZGFNEKL H18277

26131A-1/1

ELECTRICALS & MISC.



Sr.	Model	Item Code	Description	Qty	Int.	Remarks	Cut Off
7	ALL MODELS	200000385A	SLOTTED CHEESE HEAD SCREW M5*30	3			
8	ALL MODELS	300028453A	HEX NUT M5-8 SA2JS	3			
19	ALL MODELS	10067783AB	LIGHT FOR REGISTRATION PLATE	1			
23	ALL MODELS	10057681AA	CLAMPING STRIP	1			
28	ALL MODELS	10096601AB	FLASHER UNIT FOR OPC	1			
36	ALL MODELS	10022277AC	HAZARD WARNING SWITCH	1			
29	ALL MODELS	300070895A	BATTERY CUT-OFF SWITCH	1	YES	(10068549AA, AS A 10087000AA) SET Interchangeable as a set with (300070895A,	MEMRMKSNSH KH06611

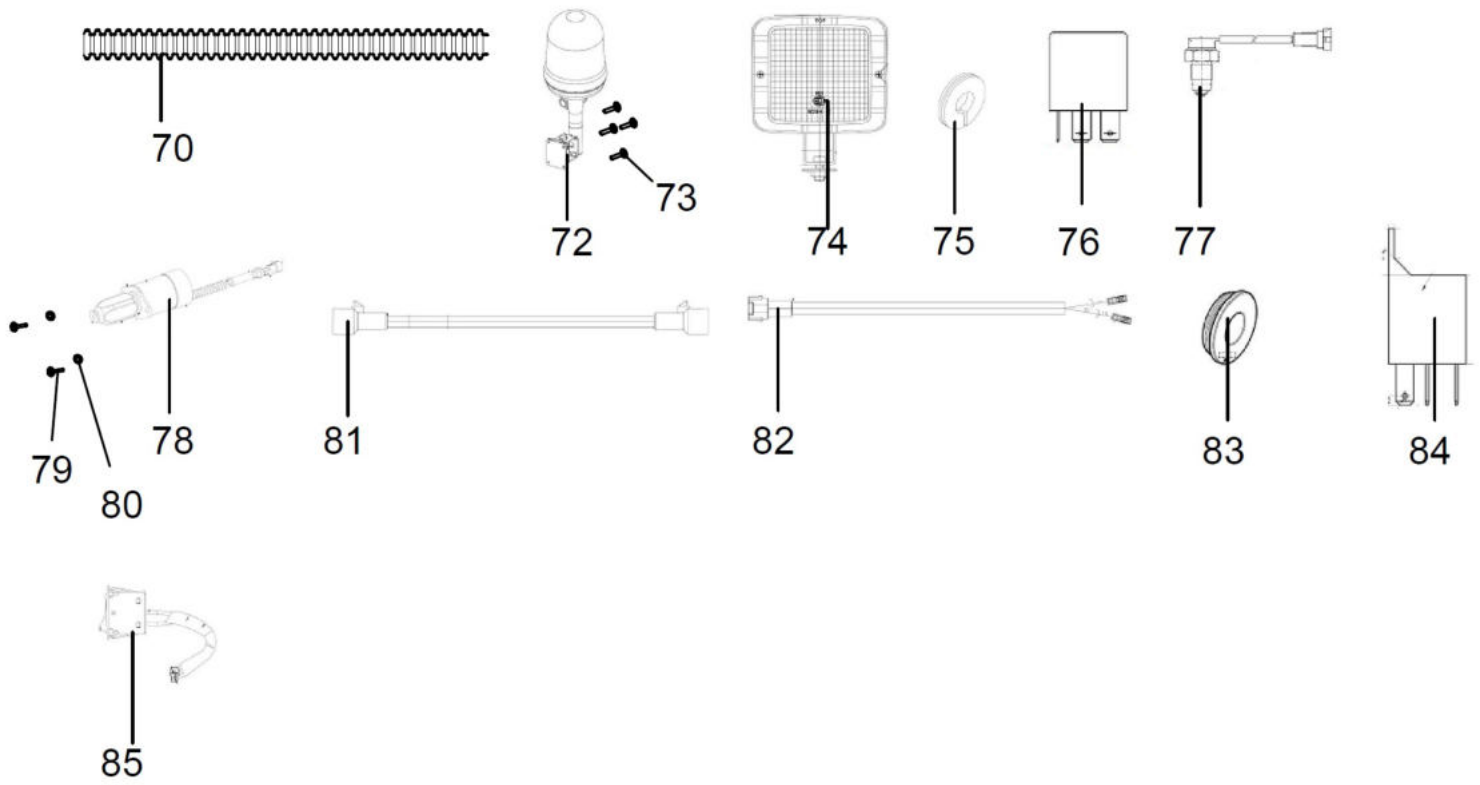
Sr.	Model	Item Code	Description	Qty	Int.	Remarks	Cut Off
						10086156AA, 300074369A)	
1	ALL MODELS	300024454A	HARNES ASSY	1			
2	ALL MODELS	10055128AA	MAINTENANCE FREE BATTERY 12V, 65AH & 540	1			
3	ALL MODELS	10012929AA	BATTERY CABLE NEGATIVE	1			
4	ALL MODELS	300008452A	BATTERY CABLE POSITIVE FOR GT - 26 EU	1			
5	ALL MODELS	10024999AA	HORN (E-MARK)	1		INTERCHANGE ABLE WITH 10055476AA (ROHS)	
6	ALL MODELS	10002339AA	7 PIN SOCKET ASSY.	1		INTERCHANGE ABLE WITH 10036843AA (ROHS)	
7	ALL MODELS	04042905030	SLOTTED CHEESE HD SCREW M5*30	3		INTERCHANGE ABLE WITH 200000385A (ROHS)	
8	ALL MODELS	20003353AA	HEX NUT M5 -8 SA3NS	3			
9	ALL MODELS	04030800006	M/CD WASHER DIA 6.4 *DIA 12.4*1.6	3			
10	ALL MODELS	10005164AB	RUBBER PAD	2		INTERCHANGE ABLE WITH 10005164AD (ROHS)	
11	ALL MODELS	10085383AA	FLASHER UNIT ASSY.	1			
12	ALL MODELS	10004212AA	CLAMP	2		INTERCHANGE ABLE WITH 10004212AB (ROHS)	
13	ALL MODELS	10004984AA	PLASTIC STRAP	2		INTERCHANGE ABLE WITH 10004984AB (ROHS)	
15	ALL MODELS	10051949AA	REGISTRATION PLATE(WITHOUT PAINT)	1			
16	ALL MODELS	10004235AA	CLAMP	1			
17	ALL MODELS	10051875AB	OIL PRESSURE SENSOR	1			
19	ALL MODELS	10067783AA	LIGHT FOR REGISTRATION PLATE	1		INTERCHANGE ABLE WITH 10067783AB (ROHS)	
20	ALL MODELS	10053765AA	REVOLVING LIGHT	1			
21	ALL MODELS	10024780AB	CLAMP (RADIATOR)	5		INTERCHANGE ABLE WITH 10039275AA (ROHS)	
22	ALL MODELS	10004984AA	PLASTIC STRAP	1		INTERCHANGE ABLE WITH 10004984AB (ROHS)	
23	ALL MODELS	10004232AB	CLAMPING STRIP	1		INTERCHANGE ABLE WITH 10057681AA (ROHS)	
24	ALL MODELS	10053458AA	GLOW CONTROL TIMER	1			

Sr.	Model	Item Code	Description	Qty	Int.	Remarks	Cut Off
25	ALL MODELS	20003518AA	HEX FLANGE SCREW M6*1*20-8.8 SA2JS	2		INTERCHANGEABLE WITH 20005541AA (ROHS)	
26	ALL MODELS	04030600006	PLAIN WASHER DIA 6.4 *DIA 18 *1.5	2			
27	ALL MODELS	10096602AA	SAFETY CONTROLLER FOR ENGINE SHUT-OFF	1			
28	ALL MODELS	10096601AA	FLASHER UNIT FOR OPC	1		INTERCHANGEABLE WITH 10096601AB (ROHS)	
29	ALL MODELS	10068549AA	BATTERY CUT-OFF SWITCH	1			
30	ALL MODELS	300008489A	BATTERY CABLE POSITIVE FROM STARTER TO CUT-OFF SWITCH	1			
31	ALL MODELS	10087339AA	BUZZER ASSY.(CONTINUOUS BEEPING)	1			
32	ALL MODELS	300006172A	INSTRUMENT CLUSTER ASSEMBLY	1			
33	ALL MODELS	11000600AA	COMBINATION SWITCH MODIFIED	1		10027175AC replaced by 11000600AA for export market	
34	ALL MODELS	10026301AB	STARTING SWITCH	1		Applicable key for AA and AB revision is 300183368A (Bunch of moulded key_0101014/S7)	
35	ALL MODELS	10056627AB	CLUTCH SAFETY SWITCH	2			
36	ALL MODELS	10022277AA	HAZARD WARNING SWITCH	1		INTERCHANGEABLE WITH 10022277AC (ROHS)	
37	ALL MODELS	10082879AA	REVOLVING LIGHT SWITCH	1			
38	ALL MODELS	10004216AA	OPC BYPASS SWITCH	1			
39	ALL MODELS	10017954AA	MAIN RELAY-CRDI-75	5			
40	ALL MODELS	10057723AA	TANK UNIT	1			
24	ALL SOLIS 20 EXCEPT BOM 2011A3639JDAJ, 2011A7510JDAJUDEP, 2011A5129JDAJUDE, 2011A5129JDAJUDE01	10053458AC	GLOW CONTROL UNIT	1	YES		MEMRMGSNSB LH09497
5	ALL MODELS	10055476AA	HORN (E-MARK)	1	YES		
6	ALL MODELS	10036843AA	7 PIN SOCKET ASSY (SAE MARK)	1	YES		
13	ALL MODELS	10004984AB	PLASTIC STRAP	2	YES		
21	ALL MODELS	10039275AA	CLAMP (RADIATOR)	5	YES		
22	ALL MODELS	10004984AB	PLASTIC STRAP	1	YES		
25	ALL MODELS	20005541AA	HEX FLANGE SCREW M6*1*20 -8.8 SA4GS	2	YES		
31	ALL MODELS	10087339AB	BUZZER ASSY.(CONTINUOUS BEEPING)	1	YES		FOR NON EU MODELS- MYEDS830597

Sr.	Model	Item Code	Description	Qty	Int.	Remarks	Cut Off
							WNT FOR EU MODELS- MEMRMKSNSM KH04346
41	ALL MODELS	300211399A	7 PIN SOCKET JUMPER WIRE	1		NEW PART	MEMRZGFNEKL H18277
1	SOLIS-20 EU FACELIFT (POWER STG.)	300024454D	HARNESS ASSEMBLY	1			
4	SOLIS-20 EU FACELIFT (POWER STG.)	300072103A	BATTERY CABLE POSITIVE	1			
7	SOLIS-20 EU FACELIFT (POWER STG.)	10083043AB	Slotted Cheese Head Screw M5X30 SA4GS	3			
9	SOLIS-20 EU FACELIFT (POWER STG.)	04030600006	PLAIN WASHER DIA 6.4 *DIA 18 *1.5	3			
20	SOLIS-20 EU FACELIFT (POWER STG.)	10057344AA	REVOLVING LIGHT	1			
30	SOLIS-20 EU FACELIFT (POWER STG.)	300071935A	BATTERY CABLE POSITIVE STARTER TO CUT-OFF	1			
32	SOLIS-20 EU FACELIFT (POWER STG.)	10056595AB	CLUSTER ASSEMBLY WITH CHROME RING BEZEL	1			
33	SOLIS-20 EU FACELIFT (POWER STG.)	10027175AC	COMBINATION SWITCH	1			
34	SOLIS-20 EU FACELIFT (POWER STG.)	10026301BA	STARTING SWITCH	1			

26131A-3/3

ELECTRICALS & MISC.

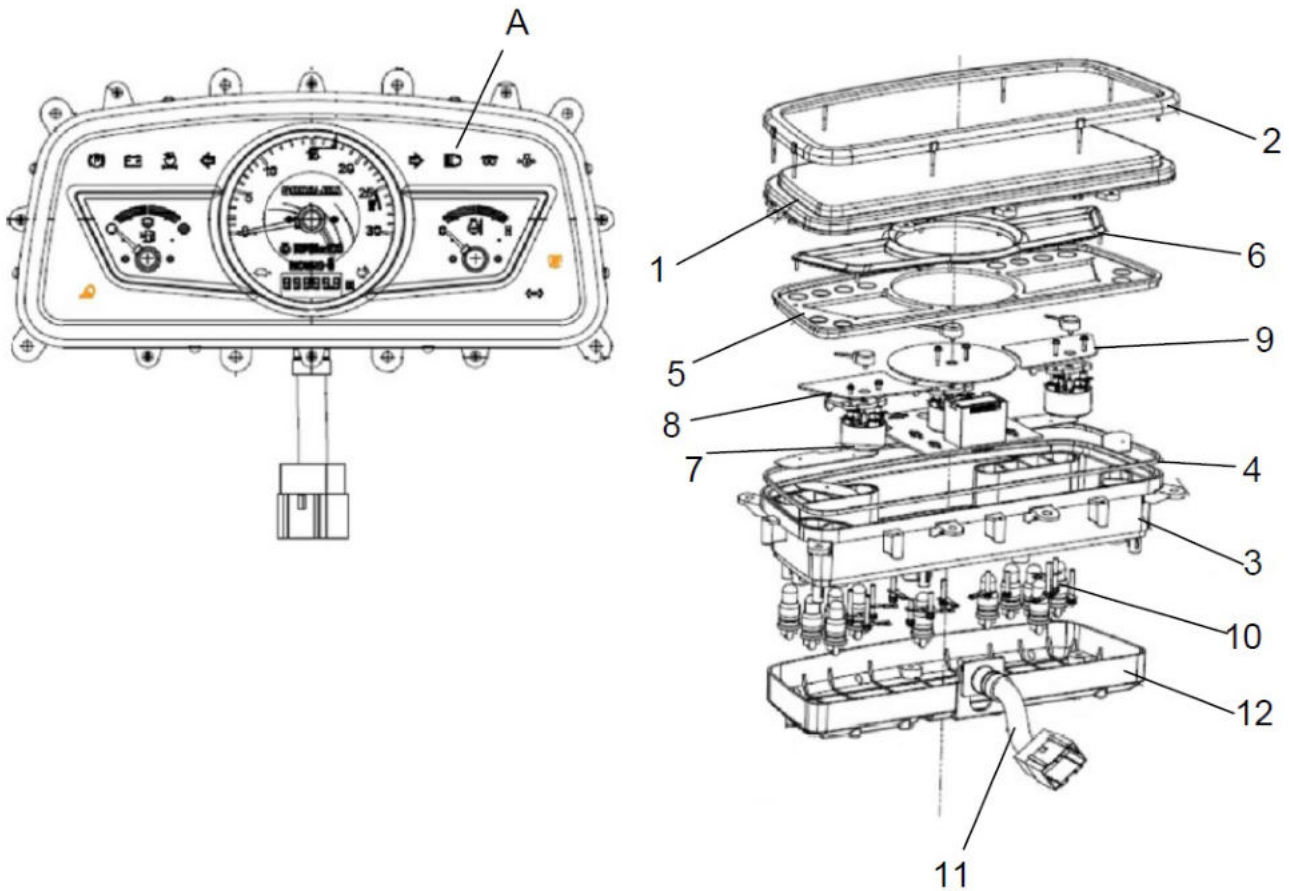


Sr.	Model	Item Code	Description	Qty	Int.	Remarks	Cut Off
70	ALL MODELS	10053764AA	SLIT CORRUGATED-TUBE (CLOGGING SENSOR)	1			
71	ALL MODELS	20001508AA	CLOGGING SENSOR	1		NOT SHOWN	
72	ALL MODELS	10057345AA	BRACKET FOR REVOLVING LIGHT	1			
73	ALL MODELS	20005684AA	SLOTTED CHEESE HEAD SCREW M4*20	4			
74	ALL MODELS	300007651A	PLOUGH LAMP ASSEMBLY	1			
75	ALL MODELS	300025275A	GROOMET	1			
76	ALL MODELS	10017862AA	RELAY NC & NO TYPE	5			
77	ALL MODELS	10055924AA	NEUTRAL SAFETY SWITCH	2			

Sr.	Model	Item Code	Description	Qty	Int.	Remarks	Cut Off
78	ALL MODELS	300008586A	ENGINE STOP SOLENOID	1			
79	ALL MODELS	20002828AA	PUNCHED WASHER 4.5 X 9 X 0.8	2			
80	ALL MODELS	300028650A	SLOTTED CHEESE HD SCREW M4*15	2			
81	ALL MODELS	300009691A	ROPS HARNESS	1			
82	ALL MODELS	300009603A	REVOLVING LIGHT HARNESS	1			
83	ALL MODELS	10055301AA	GROMMET FOR PLOUGH LAMP	1			
84	ALL MODELS	10093906AA	MICRO RELAY WITH BRACKET	1			
85	ALL MODELS	300040633A	PTO EXTERNAL CONTROL SWITCH	1			
86	ALL MODELS	300211399A	7 PIN SOCKET JUMPER WIRE	1		NOT SHOWN	

26132A-1/1

INSTRUMENT CLUSTER ASSY.

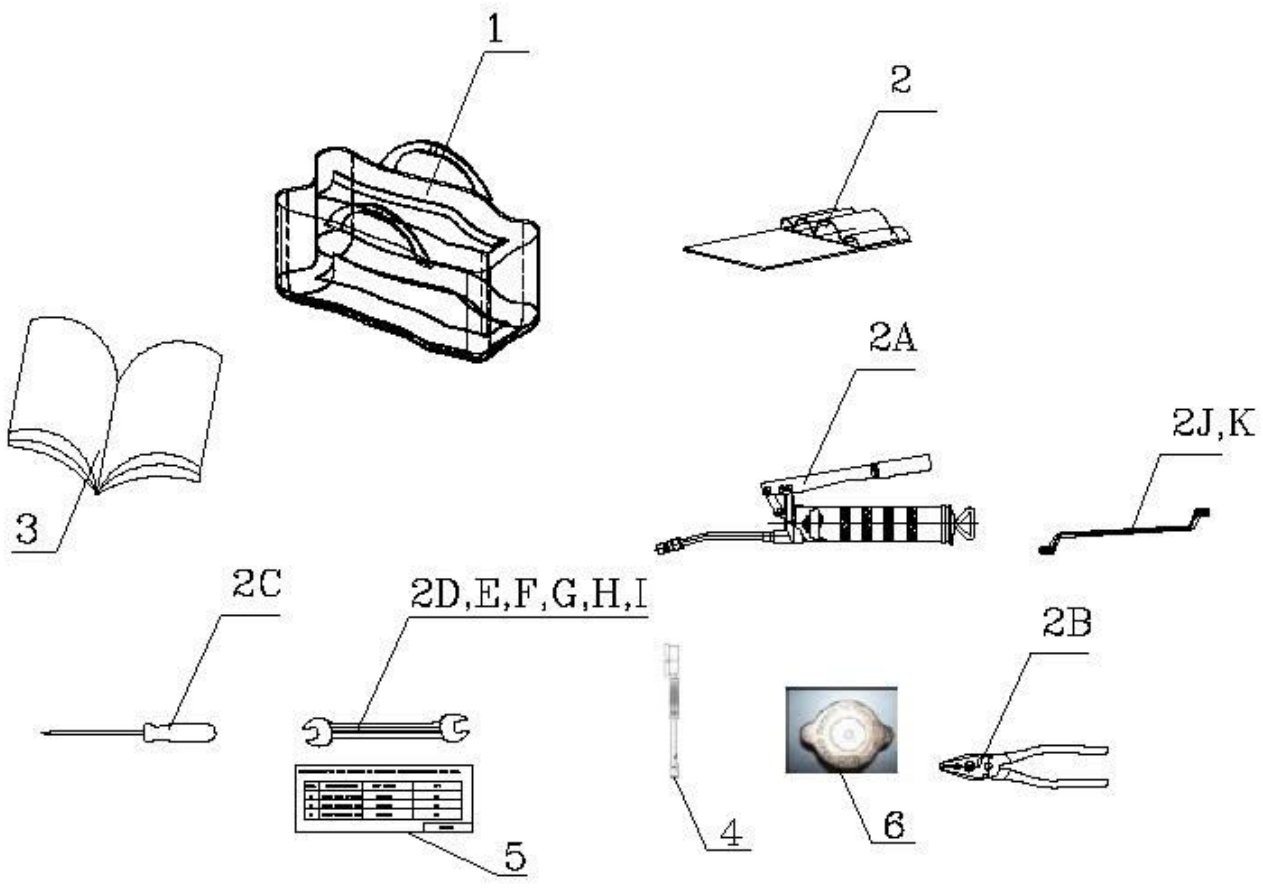


Sr.	Model	Item Code	Description	Qty	Int.	Remarks	Cut Off
A	ALL MODELS	300006172A	INSTRUMENT CLUSTER ASSEMBLY	1		ASSY.	
1	ALL MODELS	300001709A	CRYSTAL	1		CHILD PART	
2	ALL MODELS	300001710A	OUTER SEALING RING	1		CHILD PART	
3	ALL MODELS	300001711A	HOUSING	1		CHILD PART	
4	ALL MODELS	300005857A	INNER SEALING RING	1		CHILD PART	
5	ALL MODELS	300001716A	FACIA	1		CHILD PART	
6	ALL MODELS	300001733A	BEZEL	1		CHILD PART	
7	ALL MODELS	300006174A	RPM METER ASSEMBLY	1		CHILD PART	

Sr.	Model	Item Code	Description	Qty	Int.	Remarks	Cut Off
8	ALL MODELS	300001720A	FUEL GAUGE ASSEMBLY	1		CHILD PART	
9	ALL MODELS	300001723A	TEMPRATURE GAUGE ASSEMBLY	1		CHILD PART	
10	ALL MODELS	300005855A	BULB T10(WEDGE BASED)	1		CHILD PART	
11	ALL MODELS	300007491A	WIRING HARNESS	1		CHILD PART	
12	ALL MODELS	300001726A	BACK COVER	1		CHILD PART	

27110A-1/1

ACCESSORIES



Sr.	Model	Item Code	Description	Qty	Int.	Remarks	Cut Off
1	ALL MODELS	20005037AA	TOOL KIT BAG (EMPTY)	1			
2	ALL MODELS	10027169AC	HAND TOOL KIT	1			
4	ALL EXPORT MODELS	10026665AA	TYRE PRESSURE GAUGE (EXPORT)	1		INTERCHANGEABLE WITH 10026665AB (ROHS)	
5	ALL EXPORT MODELS	10071358AA	FUSES FOR FARMER KIT	1			
6	ALL EXPORT MODELS	10026958AA	CAP RADIATOR 0.9-PSI	1		INTERCHANGEABLE WITH 10026958AC (ROHS)	
3	ALL MODELS	10052416AA	OPERATOR MANUAL GARDEN TRACK	1			

Sr.	Model	Item Code	Description	Qty	Int.	Remarks	Cut Off
1	ALL MODELS	042100905AA	TOOL KIT BAG (EMPTY)	1			
2	ALL MODELS	10027169AA	HAND TOOL KIT	1			
2(A)	ALL MODELS	20002841AB	GREASE GUN	1		S.NO. 2 INCLUDES S. NO.2(A) TO 2 (K), Not Serviceable part	
2(B)	ALL MODELS	20002843AA	CUTTER PLIER 7	1		S.NO. 2 INCLUDES S. NO.2(A) TO 2 (K), Not Serviceable part	
2(C)	ALL MODELS	20002844AA	SCREW DRIVER 5	1		S.NO. 2 INCLUDES S. NO.2(A) TO 2 (K), Not Serviceable part	
2(D)	ALL MODELS	20002845AA	D-SPANNER 30X32	1		S.NO. 2 INCLUDES S. NO.2(A) TO 2 (K), Not Serviceable part	
2(E)	ALL MODELS	20002846AA	D-SPANNER 10X11	1		S.NO. 2 INCLUDES S. NO.2(A) TO 2 (K), Not Serviceable part	
2(F)	ALL MODELS	20002847AA	D-SPANNER 12X13	1		S.NO. 2 INCLUDES S. NO.2(A) TO 2 (K), Not Serviceable part	
2(G)	ALL MODELS	20002848AA	D-SPANNER 14X17	1		S.NO. 2 INCLUDES S. NO.2(A) TO 2 (K), Not Serviceable part	
2(H)	ALL MODELS	20002849AA	D-SPANNER 18X19	1		S.NO. 2 INCLUDES S. NO.2(A) TO 2 (K), Not Serviceable part	
2(I)	ALL MODELS	20002850AA	D-SPANNER 20X22	1		S.NO. 2 INCLUDES S. NO.2(A) TO 2 (K), Not Serviceable part	
2(J)	ALL MODELS	20002851AA	RING SPANNER 16X17	1		S.NO. 2 INCLUDES S. NO.2(A) TO 2 (K), Not Serviceable part	
2(K)	ALL MODELS	20002852AA	RING SPANNER 24X27	1		S.NO. 2 INCLUDES S. NO.2(A) TO 2 (K), Not Serviceable part	
2	DI-20 GT	10027169AB	HAND TOOL KIT	1	YES		EZGDG761473S 3
4	ALL EXPORT MODELS	10026665AB	TYRE PRESSURE GAUGE (EXPORT)	1	YES		
6	ALL EXPORT MODELS	10026958AC	CAP RADIATOR 0.9-PSI	1	YES		

